

2

1

REVISIONS

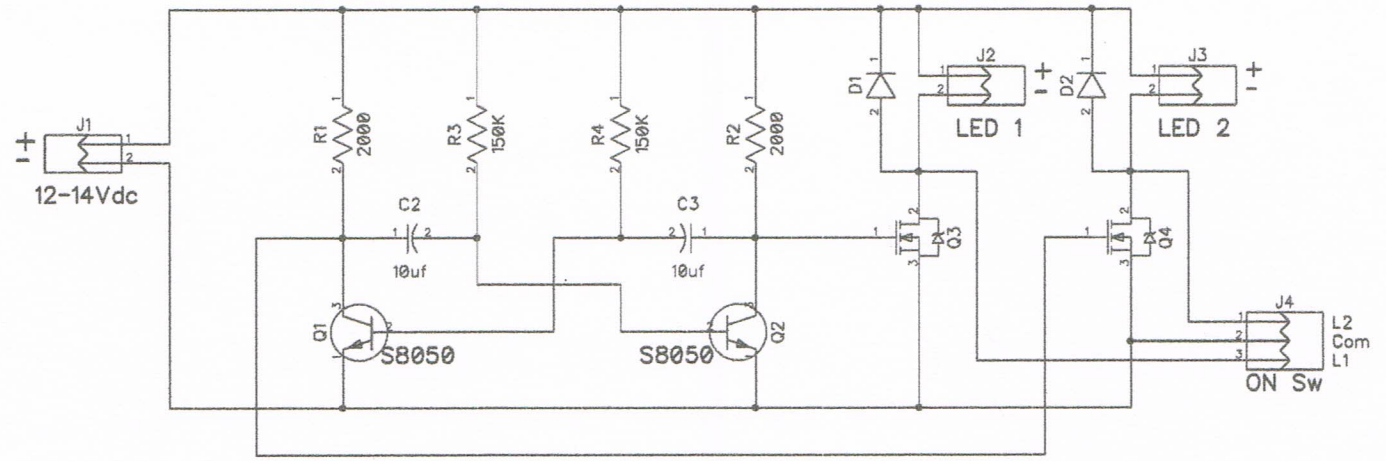
ZONE	REV	DESCRIPTION	DATE	APPROVED
------	-----	-------------	------	----------

B

B

A

A



DIY Flasher Module 1 Amp 12-14Vdc

SIZE	FSCM NO.	DWG NO.	REV
		4.33 09-18-19	4.33
SCALE	DRAWN BY:	RDS	Sheet 1

2

1