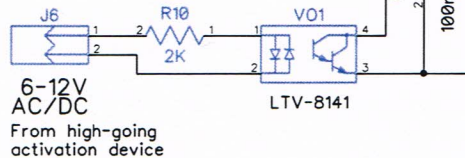
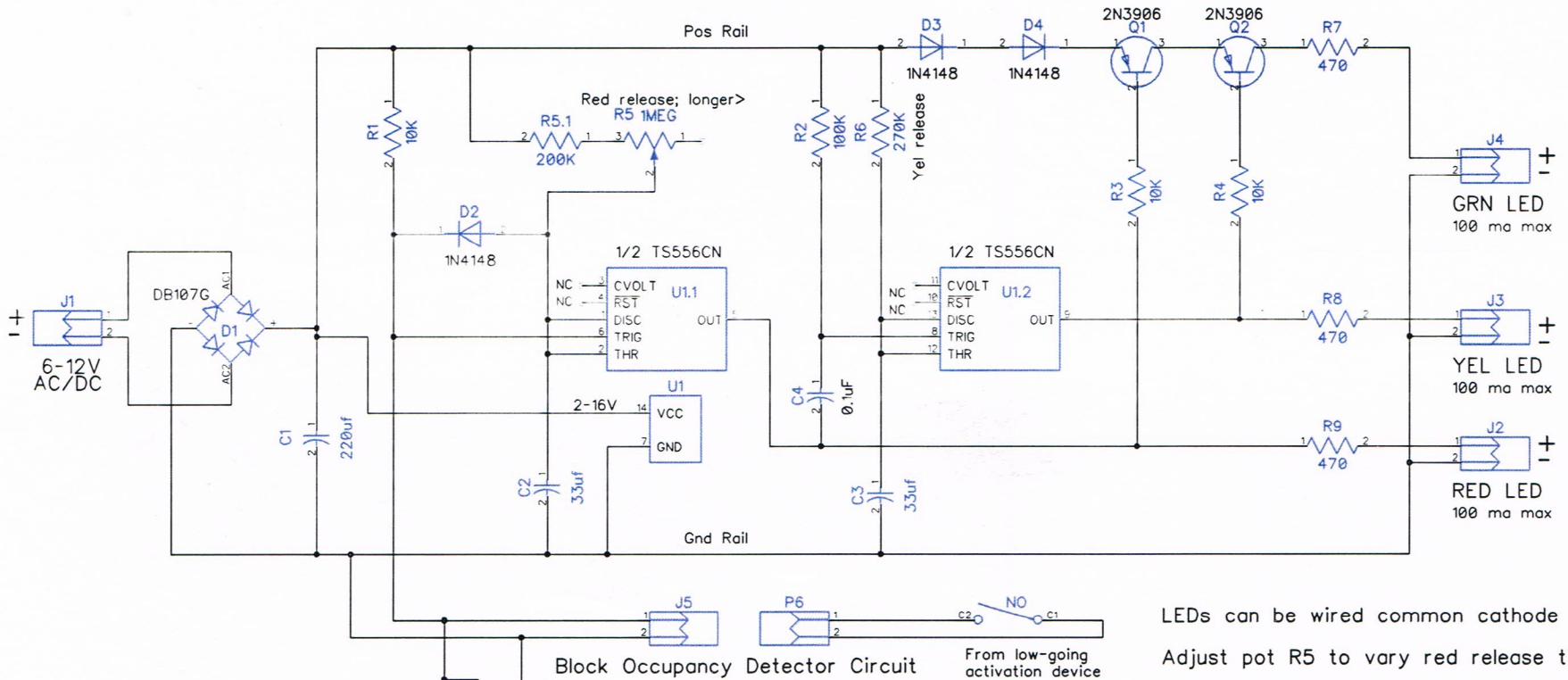


2

1

REVISIONS

ZONE	REV	DESCRIPTION	DATE	APPROVED
------	-----	-------------	------	----------



Revisions on 10-17-2019

3 Light Signal Animator-556 Timer & Opto

SIZE	FSCM NO.	DWG NO.	5.0	RDS: 10-20-19	REV	5.21
SCALE			Sheet 1			

2

1