

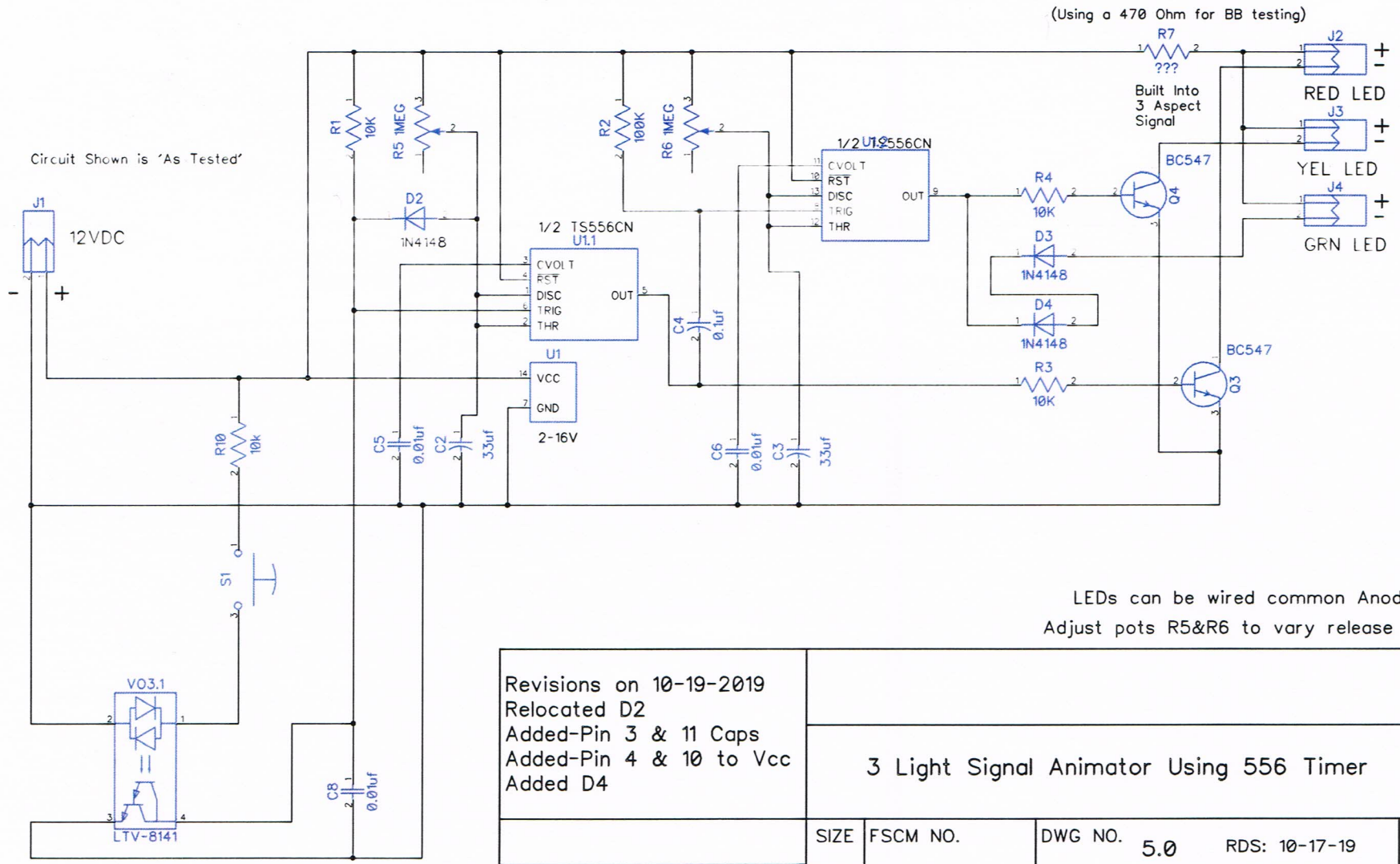
2

1

REVISIONS				
ZONE	REV	DESCRIPTION	DATE	APPROVED

B

B



A

A

Revisions on 10-19-2019 Relocated D2 Added-Pin 3 & 11 Caps Added-Pin 4 & 10 to Vcc Added D4		3 Light Signal Animator Using 556 Timer		
SIZE	FSCM NO.			
SCALE		Sheet 1		

2

1

Isolated Block Occupancy Detector Circuit