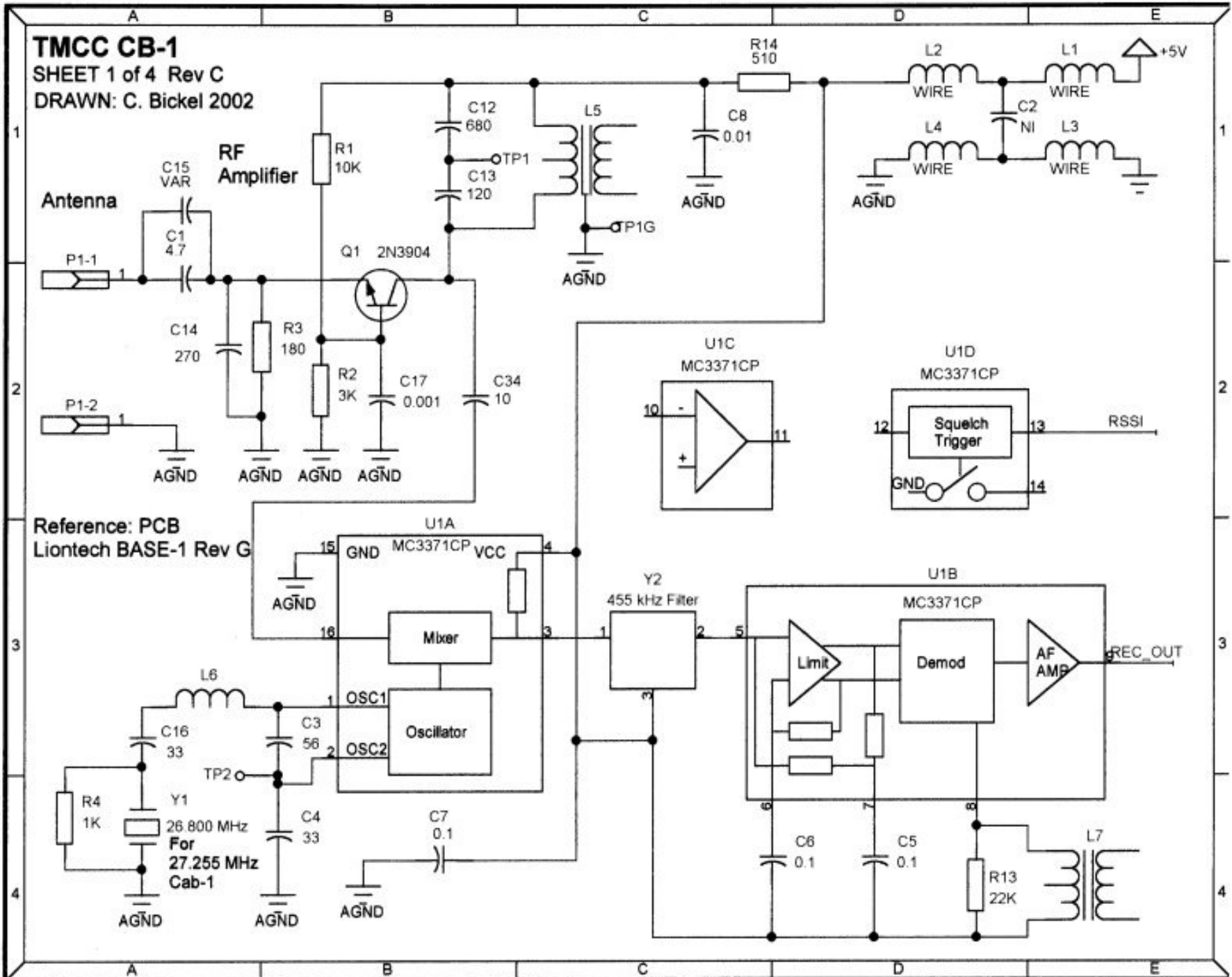


TMCC CB-1

SHEET 1 of 4 Rev C

DRAWN: C. Bickel 2002

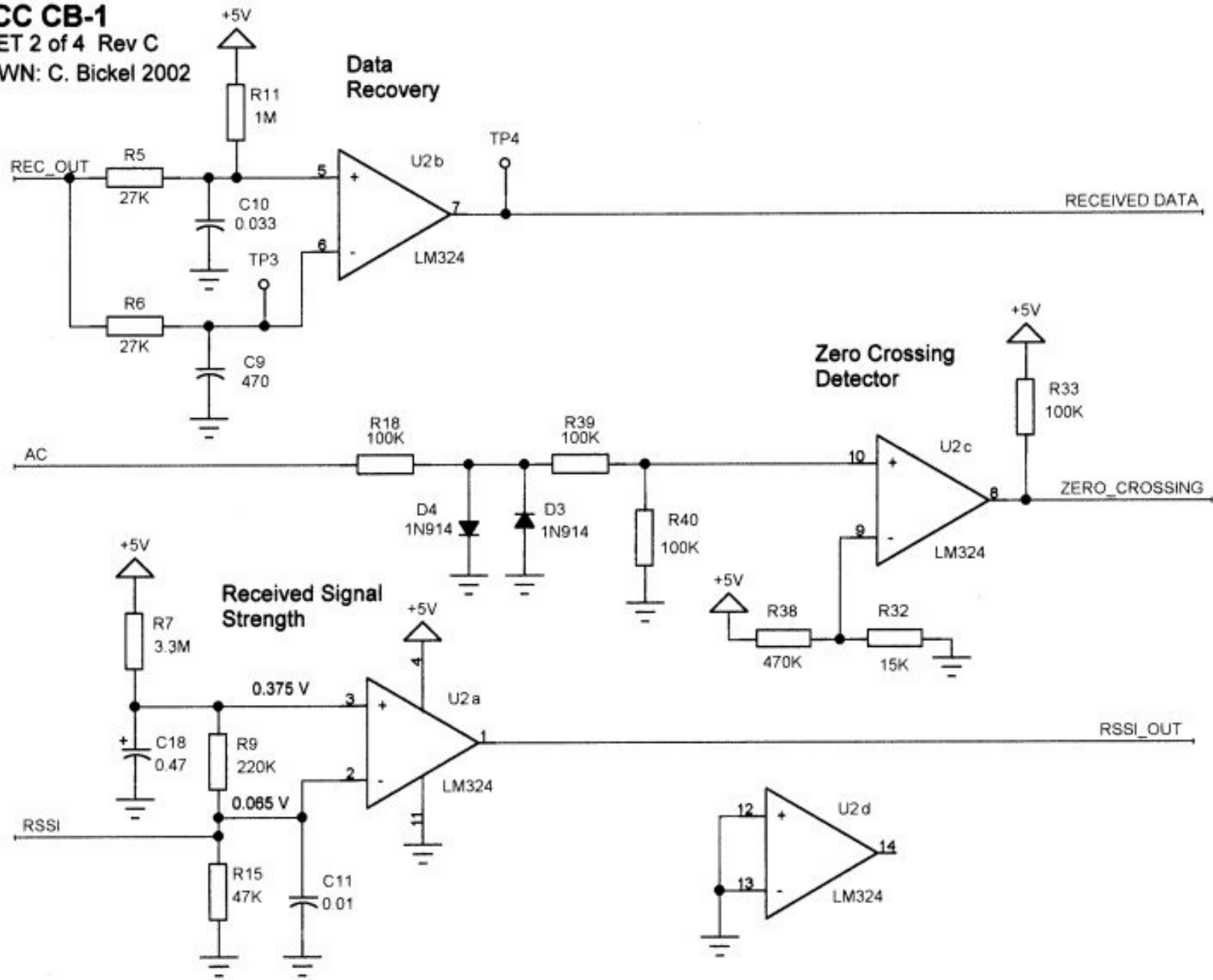


Reference: PCB
Liontech BASE-1 Rev G

L6
C16 33
Y1 26.800 MHz
For 27.255 MHz
Cab-1
R4 1K
AGND
C3 56
OSC1
OSC2
C4 33
AGND
C7 0.1
AGND

AGND

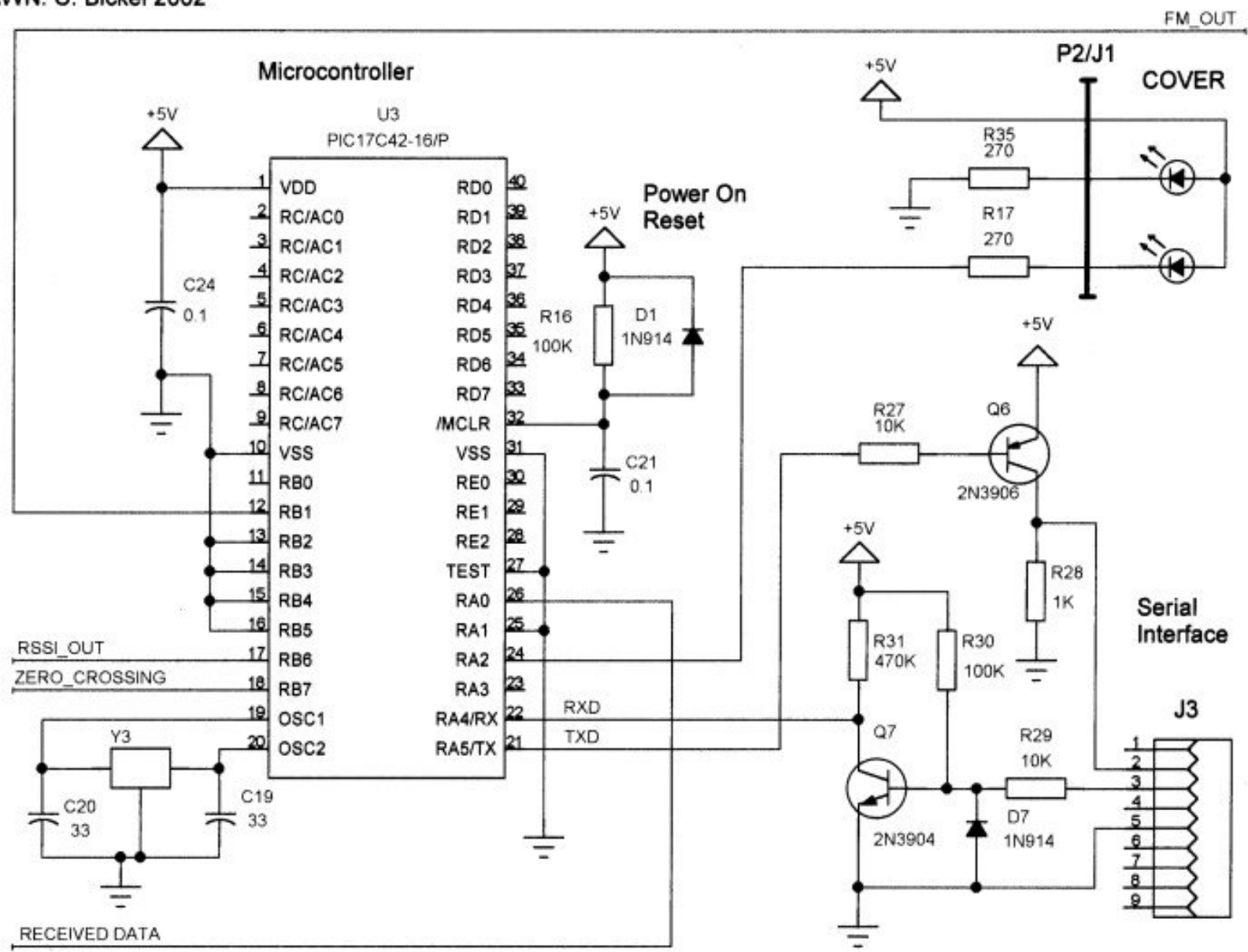
TMCC CB-1
SHEET 2 of 4 Rev C
DRAWN: C. Bickel 2002



TMCC CB-1

SHEET 3 of 4 Rev C

DRAWN: C. Bickel 2002



FM_OUT

P2/J1

COVER

RSSI_OUT

ZERO_CROSSING

Serial Interface

J3

RECEIVED DATA

TMCC CB-1

SHEET 4 of 4 Rev C

DRAWN: C. Bickel 2002

3 Prong Wall Transformer

5 Volt Regulator

L

N

E

AC IN

AC IN

J5-1

J5-2

D9

1N400x

U4

LM7805CV

+5V

+5V

AC

GND

Earth Connection Required for Track Circuit

+5V

R26

1K

Q2

2N3906

455 kHz Oscillator

L8

830 uH

Red Core

Q5

2N3904

FSK Data Modulator

FM_OUT

R25

10K

C28

33

C27

1000

C28

330

C29

33

C33

33

C25

680

+5V

Track Circuit Driver

R21

30K

Q3

2N3906

R22

39K

R37

470

R23

1.8K

R36

470

Q4

TIP41C

C30

0.1

Command Signal To Track

C32

0.1

R24

100

C31

220

COM

1

2

3

4

1

2

3

4

A

B

C

D

E

A

B

C

D

E