

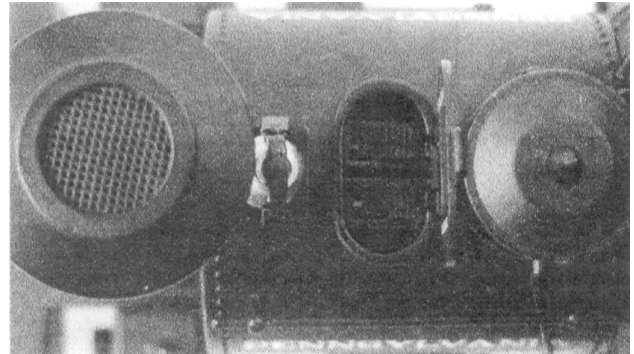
K PORTER STEAM ENGINE

K-LINE BY LIONEL

OPERATION: This K-LINE BY LIONEL Porter Steam Engine operates on an AC powered layout.

REVERSING UNIT: The electronic reversing unit in the Porter operates as follows: Each time power is interrupted, the reversing unit changes state or direction. This can be done by turning the transformer control until the track power is off and turning it back on, or pressing the direction button, if your transformer is so equipped. The sequence of operation is forward-neutral-reverse-neutral-forward.

The Porter can also be locked into any mode of operation via the Reversing Unit On-Off Switch located underneath the hatch on the boiler. When you power down the transformer, then move the switch toward the cab, which is the "off" position, the unit is locked into the next mode of operation. For example, if the Porter is moving forward, then is stopped and the switch moved to the "off" position; the Porter will be locked in neutral. Also, if the switch is moved to the "off" position while the Porter is receiving power from the transformer, the reversing unit will "lock" into its present mode. Make sure the switch is in the "on" position for normal operation of the reversing unit.



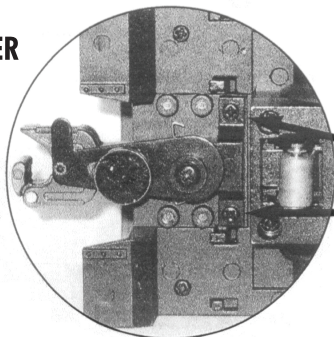
The K-LINE BY LIONEL reversing unit has a "Forward-Reset" feature. Should the Porter sit without power for a period of time with the On-Off switch in the "off" position, the Porter will automatically start again as if set in the forward only mode, Return to "on" position for normal reversing unit operation.

SMOKE: The second switch is labeled "SMK". This switch should be in the "off" position (towards the cab) when the Porter is run without smoke fluid. Remove chimney screen and add approximately 5 drops of smoke fluid into the stack and run. Do not add smoke fluid through the screen, as that could prevent the engine from smoking. Do not let the smoke unit run dry.

COUPLERS: The Porter is equipped with operating scale couplers for a more prototypical appearance. These attach to both scale couplers and O Gauge couplers. If you would like to replace the scale couplers with the operating O gauge couplers included in the box, instructions are below. You may want to replace the rear coupler for operational reasons and leave the scale coupler on the front for a more prototypical appearance.

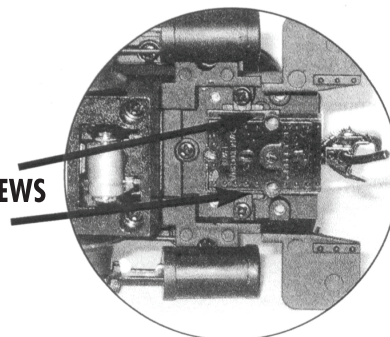
1. Turn engine over and remove the two screws holding on the rear scale coupler.
2. Attach the O gauge coupler to the inside set of holes.
3. Repeat for the front of the engine, if desired.

O GAUGE COUPLER



COUPLER SCREWS

SCALE COUPLER



MAINTENANCE: After 10 to 12 hours of operation, lubricate the wheel axles of all units (between the wheel and the motor housing) with light machine oil. Do not over-lubricate. Remove any excess oil or grease from the wheels, especially if it has come in contact with the traction surfaces of the wheels. For optimal operation, be sure to periodically remove any oil or grease from the track with a cloth.

NOTE TO PARENTS

The transformer (power pack) should be examined periodically for conditions like frayed or loose wires, metal touching metal, dirty electrical contacts, defective wiring such as damage to the output cord, housing or other parts that may result in fire, electric shock or injury. In the event of such conditions, the transformer should not be used until properly repaired or replaced.

READ ALL INSTRUCTIONS BEFORE YOU BUILD YOUR TRACK LAYOUT!

Limited Warranty/Lionel Service

This Lionel product, including all mechanical and electrical components, moving parts, motors and structural components, except for light bulbs, is warranted to the original consumer-purchaser, for **one year** against original defects in materials or workmanship when purchased through an authorized Lionel merchant.

This warranty does NOT cover normal wear and tear, light bulbs, defects appearing in the course of commercial use, or damage resulting from abuse or misuse of the product by the purchaser. Transfer of this product by the original consumer-purchaser to another person voids this warranty. Modification of this product voids this warranty.

Any warranted product which is defective in original materials or workmanship and is delivered by the original consumer-purchaser to Lionel L.L.C. or an authorized Lionel L.L.C. Service Center, together with proof of original purchase will, at the option of Lionel L.L.C., be repaired or replaced, without charge for parts or labor. In the event the defective product cannot be repaired, and a replacement is not available, a refund of the original purchase price will be granted. Any products on which warranty service is sought must be sent freight or postage prepaid, as transportation and shipping charges are not covered by the warranty.

In no event shall Lionel L.L.C. be liable for incidental or consequential damages.

Some states do not allow the exclusion or limitation of incidental or consequential damages, so the above exclusion may not apply to you.

This limited warranty gives you specific legal rights, and you may have other rights which vary from state to state.

Instructions for Obtaining Service

If service for this Lionel L.L.C. product is required, bring the item, along with your dated sales receipt and completed warranty information to the nearest Authorized Lionel Service Center. Your nearest Lionel Service Center can be found by calling 1-800-4-Lionel, or by accessing our Website at www.lionel.com.

If you prefer to send your product back to Lionel L.L.C. for repair in Michigan, you must first call 586-949-4100 or FAX 586-949-5429, or write to Customer Service, P.O. Box 748, New Baltimore, MI 48047-0748, stating what the item is, when it was purchased and what seems to be the problem. You will be sent a return authorization letter and label to ensure your merchandise will be properly handled upon receipt.

Once you have received your return authorization and label, make sure that the item is packed to prevent damage during shipping and handling. We suggest that you use the product's original packaging. This shipment must be prepaid and we recommend that it be insured.

Please make sure you have followed all of the above instructions carefully before returning any merchandise for service. You may choose to have your product repaired by one of our Authorized Lionel Service Centers after its warranty has expired. A reasonable service fee will be charged.

Warranty Information

Please complete the information below and keep it, along with your dated sales receipt. You must present this and your dated sales receipt when requesting warranty service.

Name _____

Address _____

Place of Purchase _____

Date of Purchase _____

Product Number _____

Product Description _____



©2007 LIONEL L.L.C., CHESTERFIELD, MI 48051-2493
UNITED STATES OF AMERICA
PRINTED IN CHINA