

Advanced wiring

To wire accessories with more than two connections (e.g., signals with multiple lights), you must purchase a 12 volt DC Relay (DPDT, 1A contact rating) and a Diode (1N4001, 1N4002, 1N4003, or 1N4004), available from your local electronics supply store. You will also need to refer to the information printed on or packaged with your relay to identify the proper connections. Refer to Figure 14 as you wire the Lionel Automatic Crossing Gates (6-14098). Refer to Figure 15 as you wire these other multi-wire accessories.

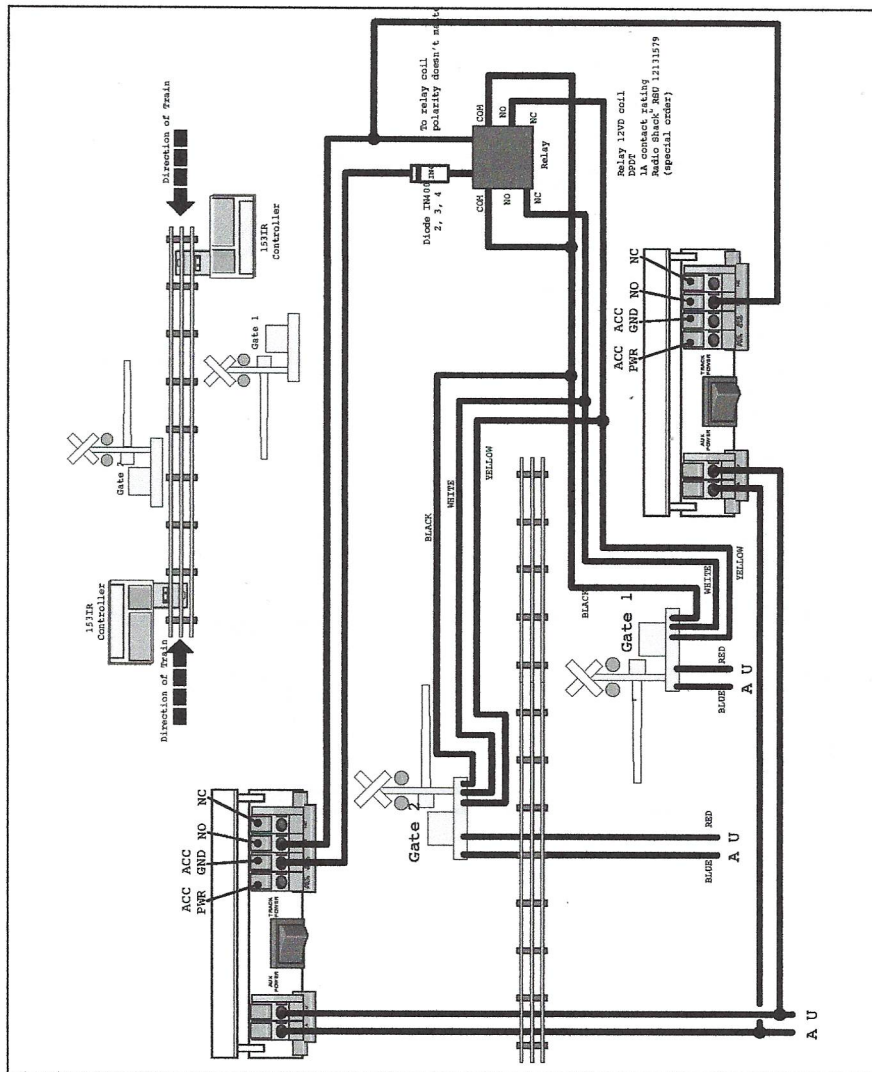


Figure 14. Wiring your Lionel Automatic Crossing Gates (6-14098)

Advanced wiring (continued)

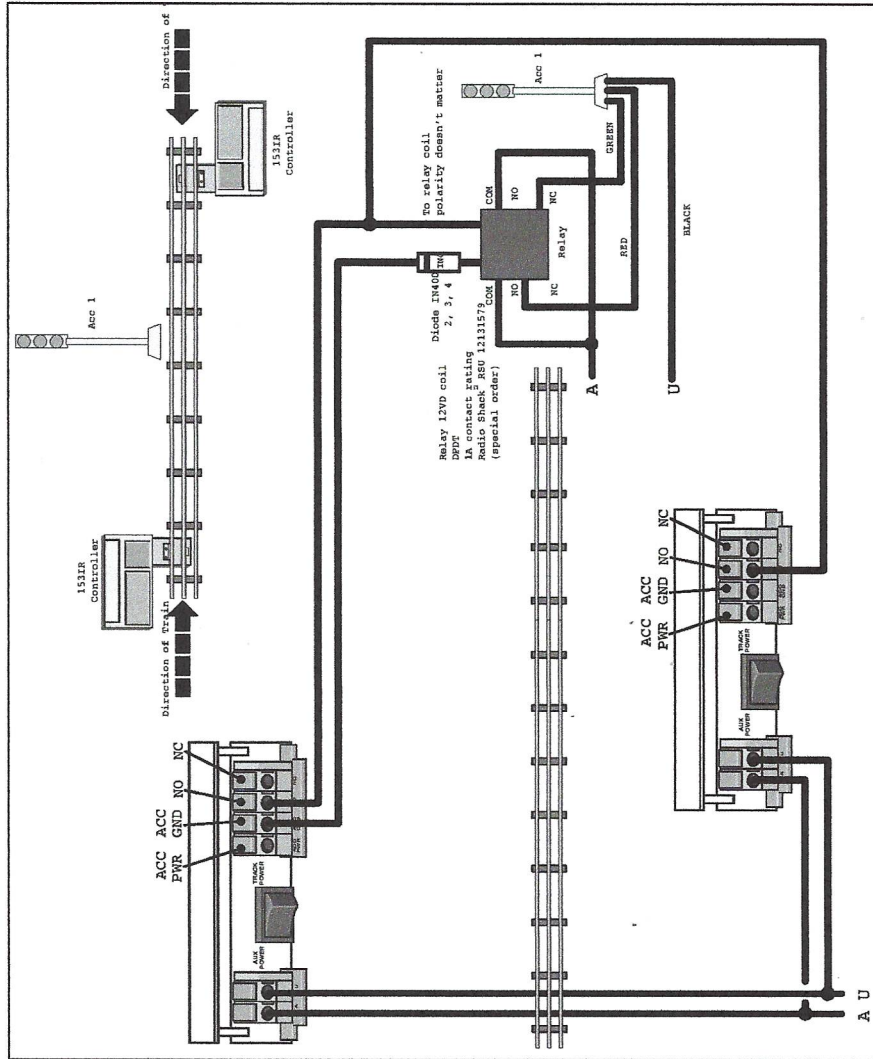


Figure 15. Wiring your multi-wire accessories