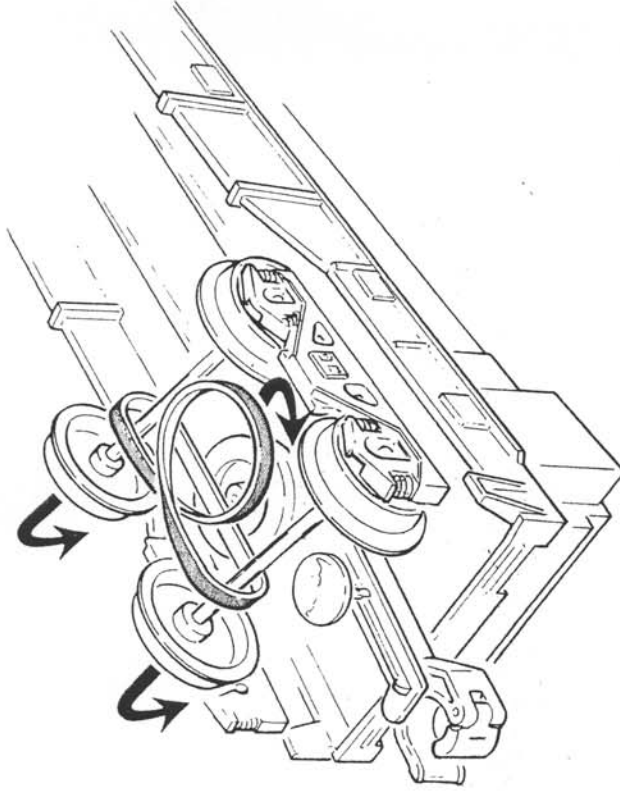


ANIMATED CONDOLA

70-6201-250

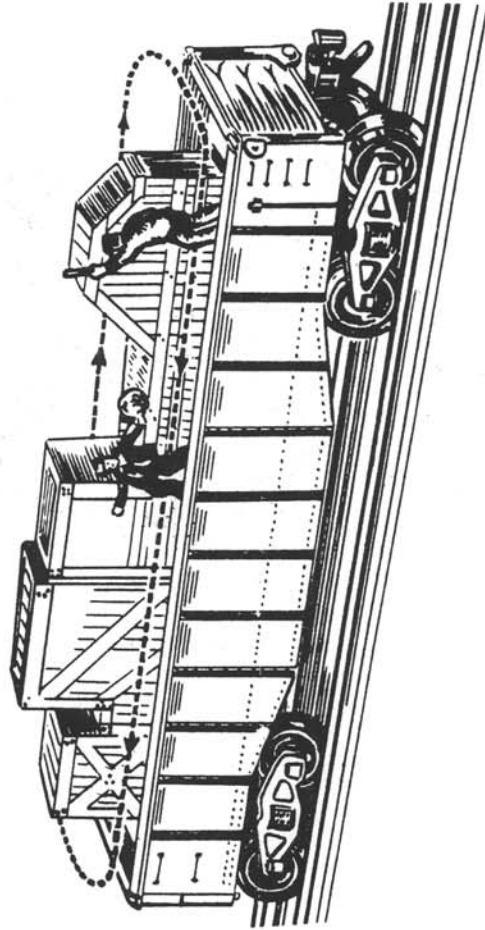
LIONEL®

RUBBERBAND REPLACEMENT



To replace rubberband, gently spread trucks and remove one end of the wheel/axle assemblies. Wrap new rubberband around axles and snap axles back into place. Twist and turn rubberband loop onto action pulley, as shown below.

NOTE: Test by rolling gondola on track and watch direction of figure movement. If figures move in reverse, turn car in opposite direction on track.



The Animated Gondola is equipped with a pulley and belt drive mechanism which causes a miniature railroad policeman to chase the figure of a Hobo around the pile of freight in the center of the gondola.

© 1982 Fundimensions, Division of CPG Products Corp.