

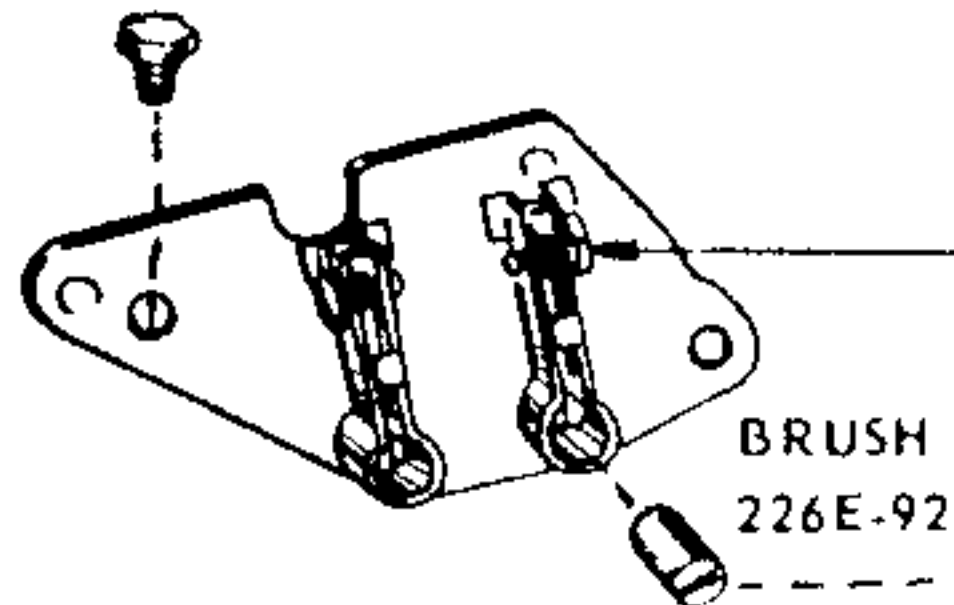
LIONEL SERVICE MANUAL

OTTP.95

BRUSH PLATE SCREW
6-32 x 3-16" B.H.
6 x 3-16" B.H.S.T. "Z"

Motor Complete 2035-100
1950 Model

ARMATURE WASHER
2026-120



BRUSH SPRING SCREW
3-48 x 3/16" B.H.
(For 226E-62 Only)

BRUSH SPRING
2036-157

BRUSH PLATE ASSEMBLY
2035-132 or 226E-62

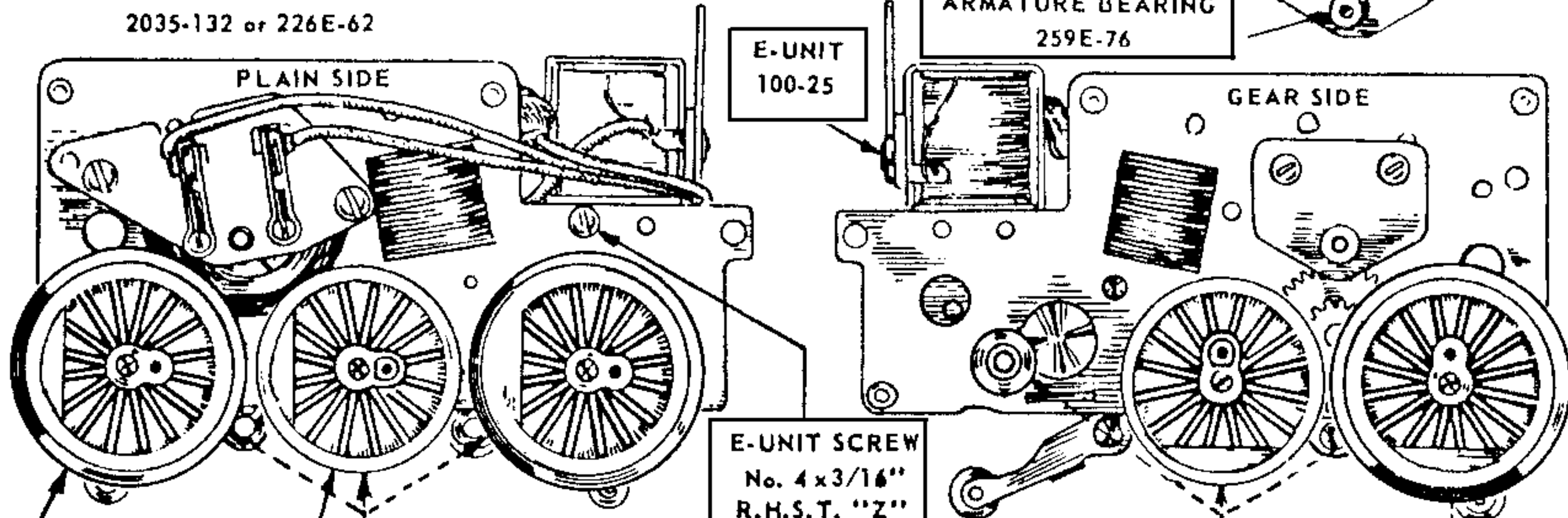
ARMATURE & PINION
675-50

PINION
1668E-43

GEAR PLATE SCREW
4-36 x 3-16" R.H.

GEAR PLATE ASSEMBLY
1668E-21

ARMATURE BEARING
259E-76



PLAIN SIDE

GEAR SIDE

E-UNIT
100-25

E-UNIT SCREW
No. 4 x 3/16"
R.H.S.T. "Z"

PLAIN END WHEEL
2035-155

PLAIN SIDE BEARING
2035-115

GEAR SIDE BEARING
2035-116

THRUST WASHER
2035-167

PLAIN CENTER WHEEL
2035-129

Plain Side Bearings 2035-115 are
brass-colored for easier identification

STAINLESS STEEL AXLE
2035-118

SHOE ASSEMBLY
224E-90

RETAINING RING
671M-22
Recommended Replacement

GEARED CENTER WHEEL & AXLE
2035-175

GEARED END WHEEL & AXLE
2035-181

COLLECTOR SPRING
226E-49



ROLLER
SLS-254-3

COLLECTOR PIVOT
226E-90

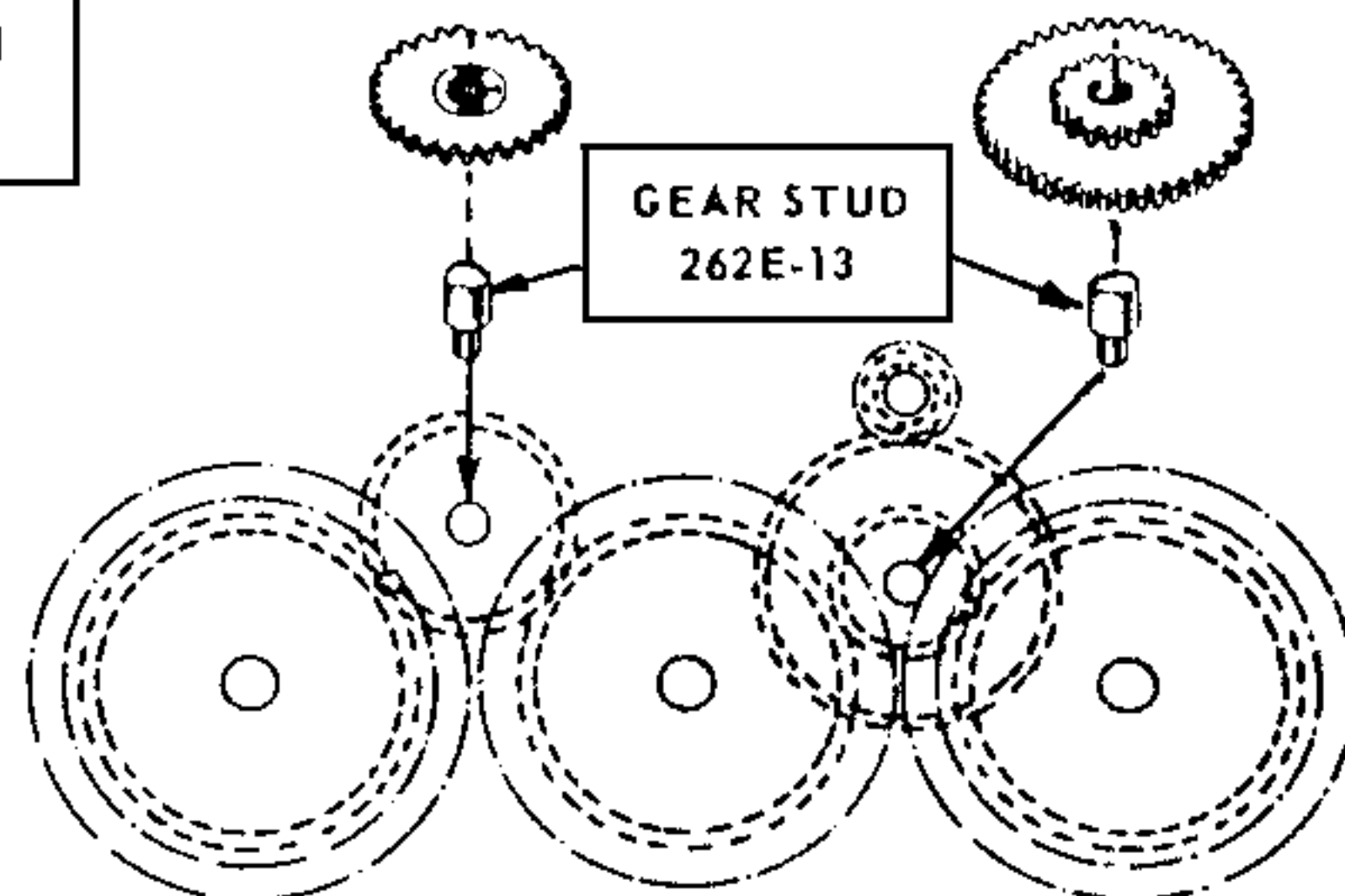
ROLLER ARM ASSY.
226E-89

Note: The replacement center wheels listed for this locomotive are not the original equipment but are of the preferred "two-pin" design as described on page 1 of this section. Replacement of the original wheels also requires replacement of the eccentric crank.

INTERMEDIATE GEAR
2035-128

CLUSTER GEAR
2035-119

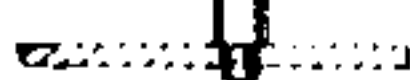
GEAR STUD
262E-13



INTERMEDIATE GEAR
2026-121

INTERMEDIATE GEAR
2035-128

SPACER WASHER
R-38



When used with Gear Stud 262E-13 Intermediate Gear 2026-121 must be backed up by Spacer Washer R-38