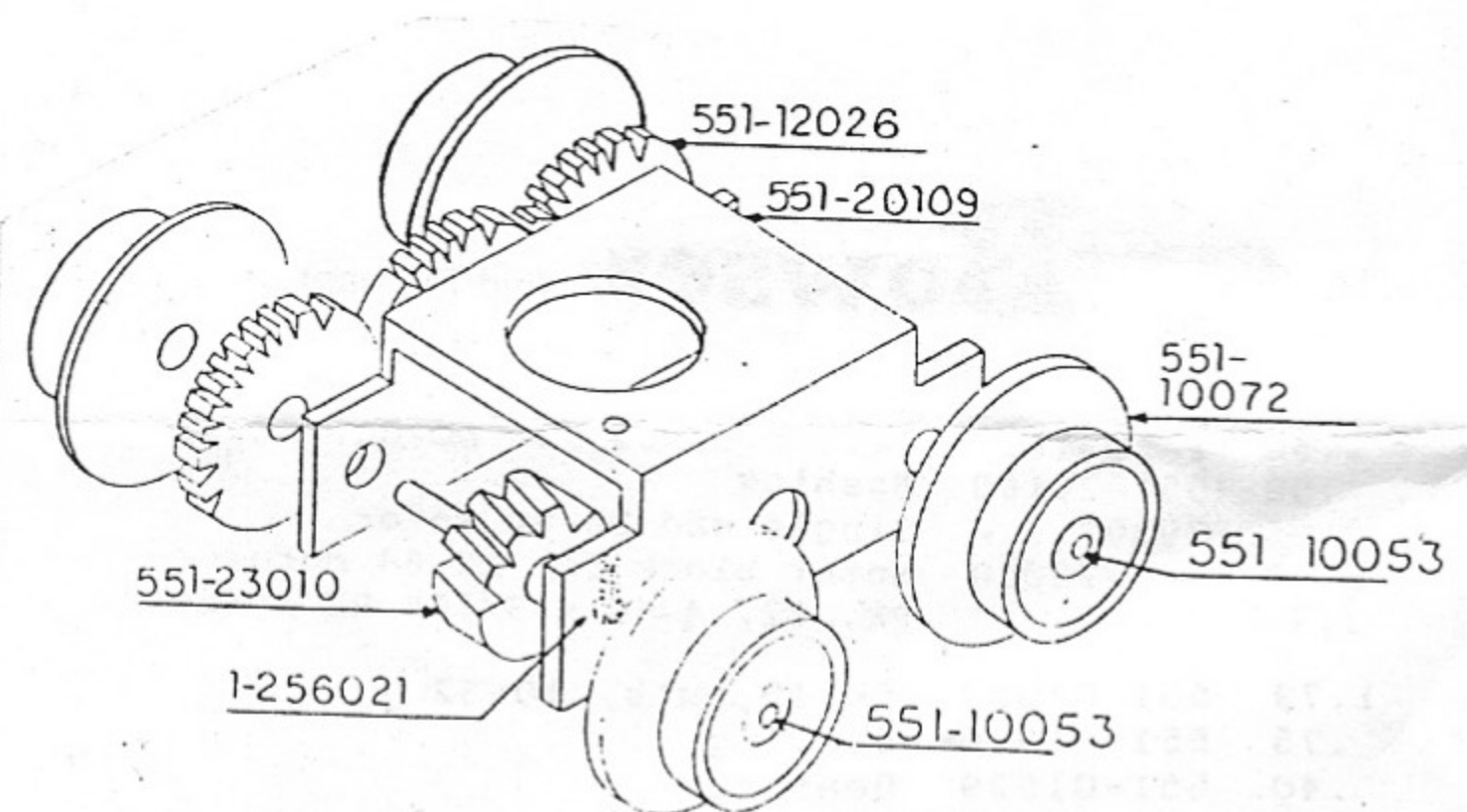
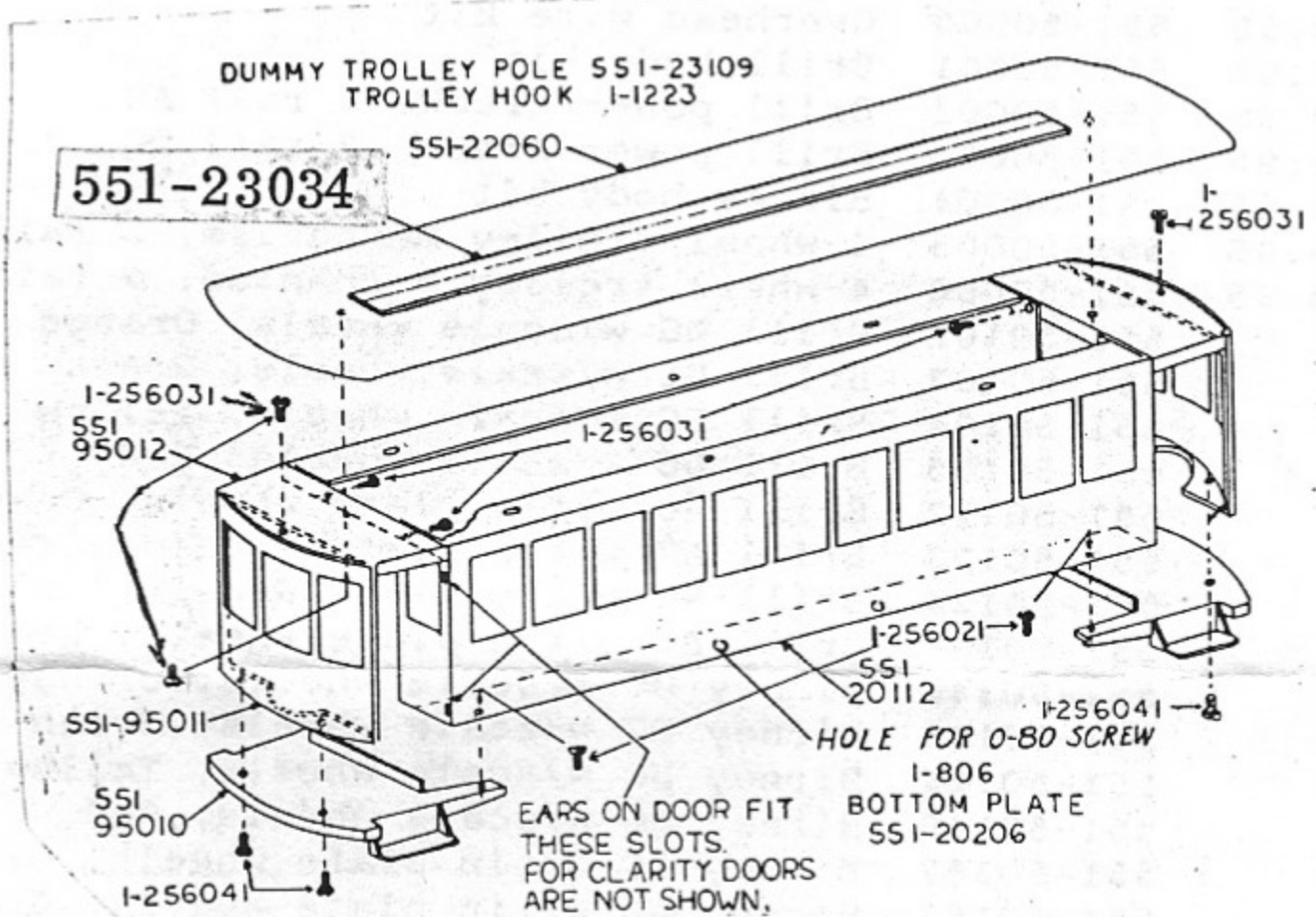
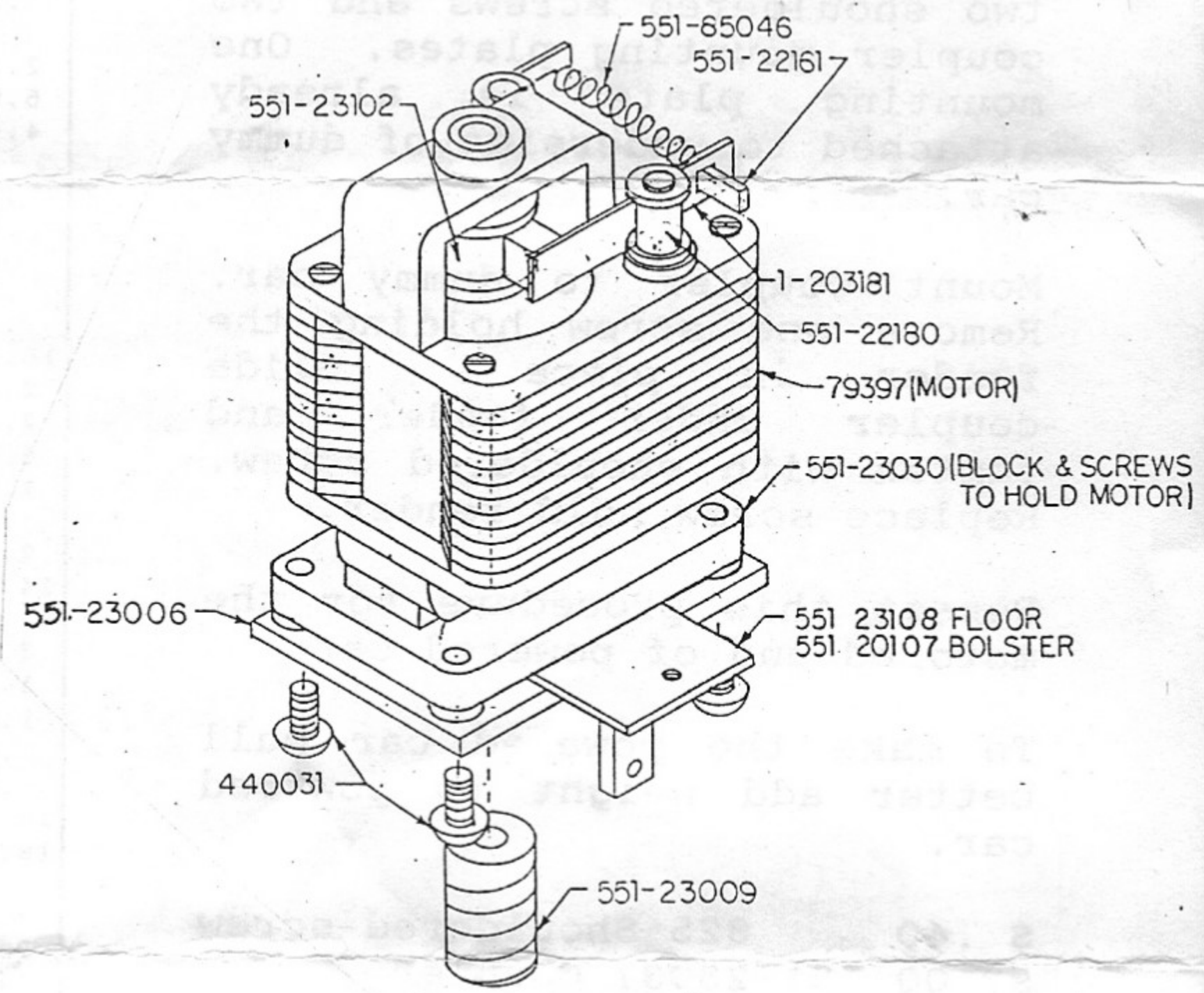
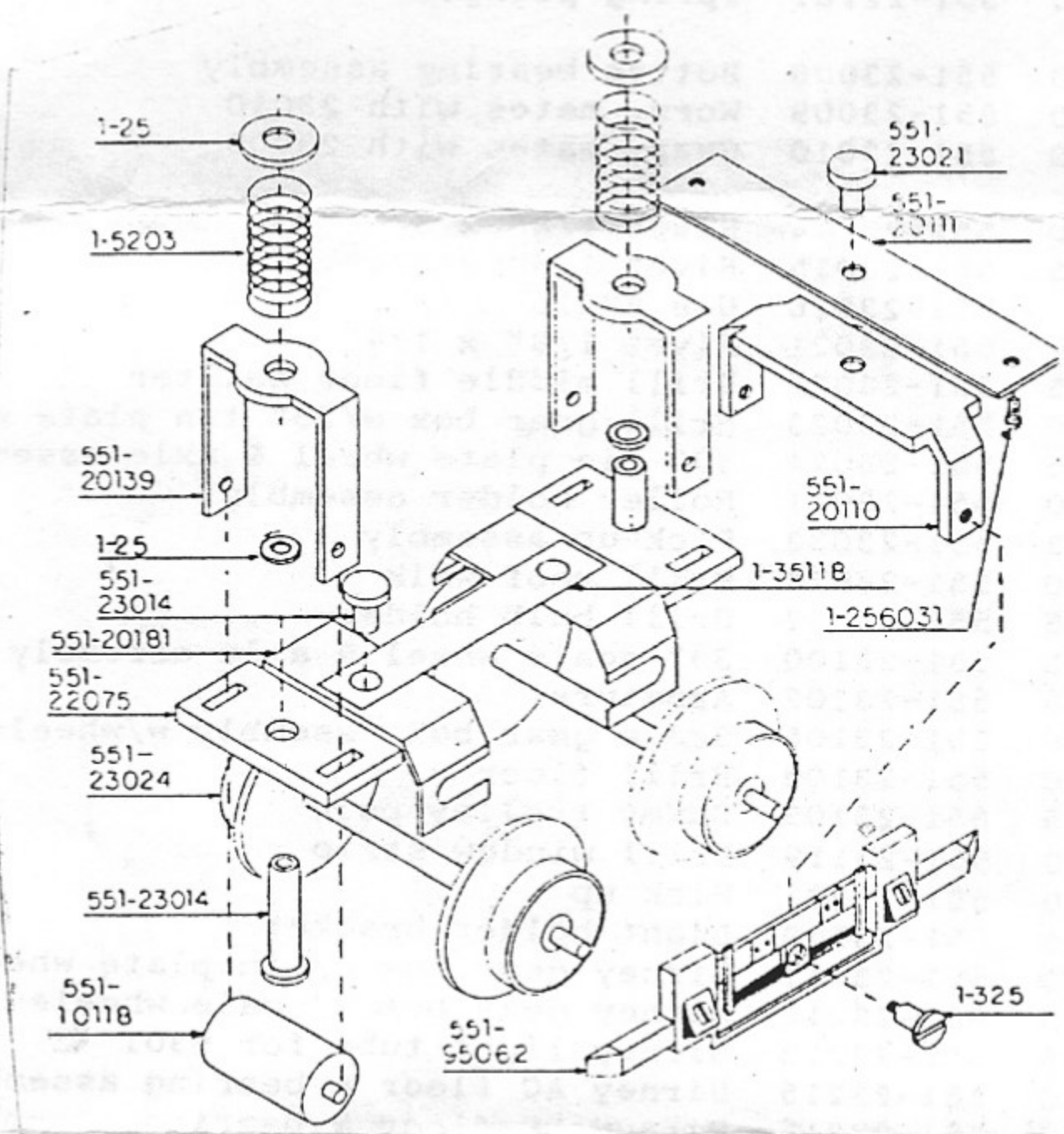


Bowser MANUFACTURING CO., Inc.

21 HOWARD STREET • P.O. BOX 322 • MONTOURSVILLE, PENNSYLVANIA 17754-0322 • TELEPHONE 717-368-2516

O Brill Trolley Drawing - AC TIN PLATED - 10-86



Headlight # 1-6301
Headlight Bracket 551-23097

Lubricate all bearing (top & bottom motor). Axles where they pass through the truck side frame, gears, and worm with oil.

Handwritten notes at the bottom of the page:
 enough to make the count plates work enough to show the car to the
 PNO112
 1-256021

Mounting couplers on Trolley

The O Brill dummy trolley car is supplied with two couplers, two shouldered screws and two coupler mounting plates. One mounting plate is already attached to underside of dummy car.

Mount coupler to dummy car. Remove one screw holding the fender in place. Slide coupler under fender and fasten with shouldered screw. Replace screw hold fender.

Repeat this procedure for the motored end of powered car.

To make the powered car pull better add weight to powered car.

\$.40 325 Shouldered screw
 \$3.00 551-23037 Coupler
 \$.40 551-23038 Mounting plate

Bowser (old Pittman)

2.50	1-203181	Pair brushes for DC-84, DC-86
.50	551-22180	Bushing
23.95	79397	Single end DC-84 motor
3.50	551-23030	Motor block for DC-84 motor
1.79	440031	Pk. 12, 4-40 x 3/16" RH Screw
1.79	551-01032	Pk. 10 nuts, 10-32
.75	551-01506	Bearing
.40	551-01529	Bearing
.60	551-10046	Idler stud
1.00	551-10053	Shaft
1.00	551-10059	Idler shaft
	551-10069	Use 10053
1.25	551-10072	33" tin plate wheel flat
.75	551-10089	Spacer
	551-10094	Use 10053
.50	551-10100	Rivet
.75	551-10118	Roller
.40	551-12026	Drive gears

3.50	551-20106	Brill bottom bearing plate
1.25	551-20107	Mounting bracket
4.00	551-20109	Frame
.75	551-20110	Truck bolster
1.00	551-20111	Body bolster
5.00	551-20112	Brill trolley side
2:50	551-20117	Birney frame
3.50	551-20120	Brill doors
1.00	551-20139	Shoe arm
.50	551-20181	Shoe holder bracket
1.50	551-20206	Brill floor plate
4.00	551-22060	Brill roof
.45	551-22075	Shoe holder
.30	551-22161	Spring plunger
2.50	551-23006	Bottom bearing assembly
6.00	551-23009	Worm, mates with 23010
4.00	551-23010	Gear, mates with 23009
.30	551-23014	Rivet 1/8" x 3/16"
.35	551-23015	Rivet 1/8" x 3/4"
	551-23016	Use 23015
.30	551-23021	Rivet 1/8" x 1/4"
.45	551-23022	Brill middle floor bolster
16.50	551-23023	Brill gear box w/33" tin plate wheels
2.25	551-23024	33" tin plate wheel & axle assembly
2.50	551-23031	Roller holder assembly
6.95	551-23032	Pick-up assembly
1.50	551-23034	Brill roof walk
.65	551-23097	Brill bulb holder
2.25	551-23100	33" scale wheel & axle assembly
14.00	551-23102	Armature
17.50	551-23105	Scale gear box assembly w/wheels
3.50	551-23108	Brill floor
1.75	551-23109	Dummy trolley pole
1.00	551-23119	Brill window strip
.50	551-23201	Pick up
.25	551-23209	Light holder bracket
18.00	551-23211	Birney gear box w/tin plate wheels
18.00	551-23212	Birney gear box w/scale wheels
.35	551-23213	Birney light tube for 6301
3.50	551-23215	Birney AC floor & bearing assembly
3.50	551-23216	Birney DC floor & bearing assembly
1.00	551-23219	Headlight holder
.40	551-23226	Birney front window
1.00	551-23227	Birney side window
.75	551-23228	Birney walk
2.00	551-23229	Birney roof
2.00	551-23230	Birney front, unpainted
3.00	551-23231	Birney side, unpainted
14.00	551-23296	Birney armature
19.95	551-50000	Overhead wire kit
24.95	551-50001	Brill body kit
49.95	551-50002	Brill power truck, 3 rail AC
49.95	551-50003	Brill power truck, 2 rail DC
12.95	551-50004	Birney body kit
45.95	551-50005	4-wheel trolley mechanism, 3 rail AC
45.95	551-50006	4-wheel trolley mechanism, 2 rail DC
	551-50102	Brill DC w/scale wheels, Orange
	551-50103	Brill DC w/scale wheels, Green
	551-50104	Brill DC w/scale wheels, Yellow
	551-50105	Brill DC w/scale wheels, Red
	551-50122	Brill AC w/tin plate wheels, Orange
	551-50123	Brill AC w/tin plate wheels, Green
	551-50124	Brill AC w/tin plate wheels, Yellow
	551-50125	Brill AC w/tin plate wheels, Red
	551-50142	Birney DC w/scale wheels, Orange
	551-50143	Birney DC w/scale wheels, Green
	551-50144	Birney DC w/scale wheels, Yellow
	551-50145	Birney DC w/scale wheels, Red
	551-50162	Birney AC w/tin plate wheels, Orange
	551-50163	Birney AC w/tin plate wheels, Green
	551-50164	Birney AC w/tin plate wheels, Yellow
	551-50165	Birney AC w/tin plate wheels, Red
2.00	551-75031	Single arm trolley support pole
.35	551-85046	Spring
3.00	551-95010	Brill platform
4.00	551-95011	Brill front casting
1.75	551-95012	Brill hood brace
1.50	551-95031	Birney side frame
1.75	551-95062	Brill side frame
.50	551-540241	Screw, 5-40 x 1-1/2" RH
.50	551-540281	Screw, 5-40 x 1-3/4" RH

23161
 # 3.50