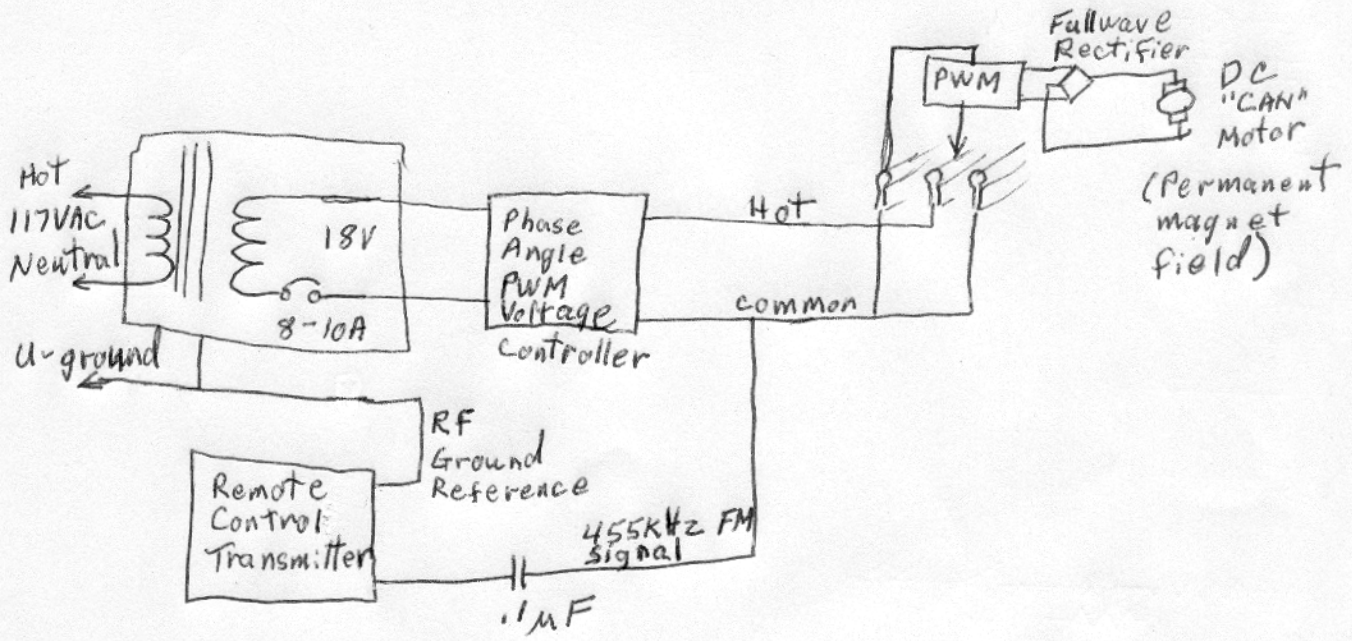


Conventional



TMCC Train Master Command Control