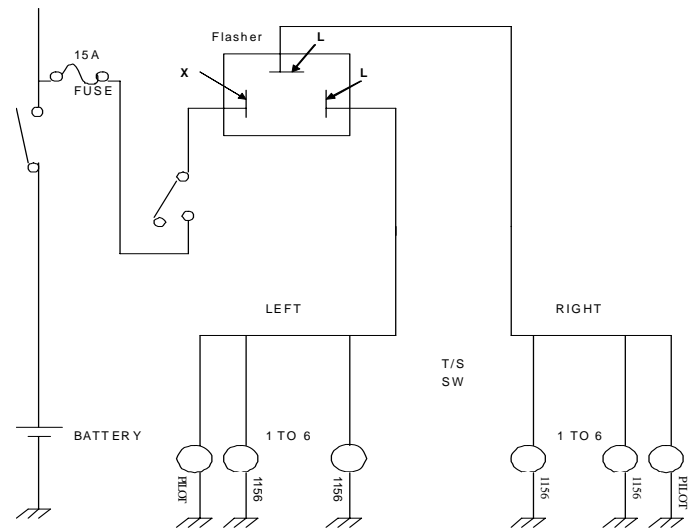


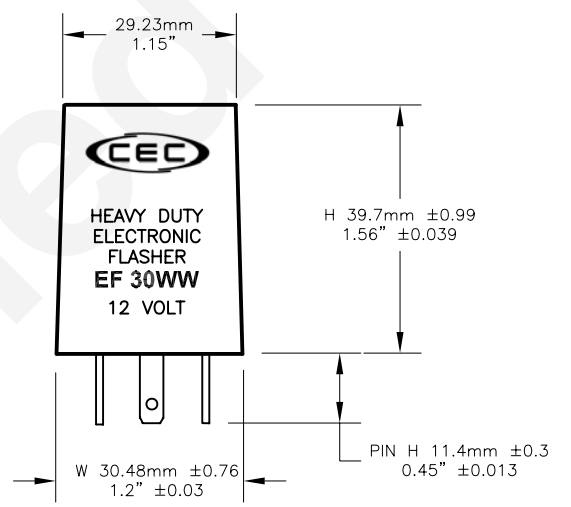
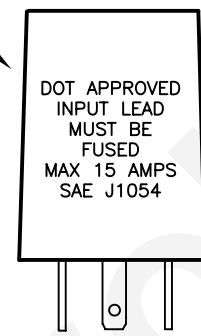
PART NO.	NO. OF TERMINALS	TYPE	STYLE	DESIGN VOLTS
EF30WW	3	ALTERNATING	SQUARE	11-15V

REVISIONS			
REV	DESCRIPTION	DATE	APPROVAL
1	ISSUED	2/08/2008	D.C.

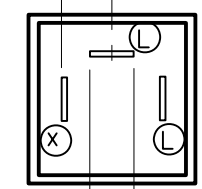
EF30WW CIRCUIT DIAGRAM



TEXT
BACK
VIEW



D1 TYP 8.61mm ±0.2
0.33 inch ± 0.008



PIN W 6.34mm ±0.24
0.25 inch ±0.096

Bottom View

Specifications: FMVSS 108 J1054 & J1690 Class A
Shell Construction: Plastic
Rated Load: 1 to 6 SAE Number 1156 Lamps per side.
 Alternating Flasher
 1 or 2 SAE Number 1895 Lamps for Pilot
Lamp Ratings: No. 1156 2.10 Amps. At 12.8 Volts
 No. 1895 0.27 Amps. At 14.0 Volts
Temperature Operating Range: -25°F to 140° F
Rated Voltage: 11 to 15 Volts DC.
 128° F 11 to 13 Volts

Voltage Drop at Rated Current: 500 mv
Time to First Flash: Less than 1.5 seconds.
Flash Rate over Temperature Range: 60 to 120 Flash Per Minute
Duty Cycle: 35% to 75%
Electrical Source:
 15 amps. Fused circuit recommended.
 L Terminal = Load (Lamp Output)
 X Terminal = Battery (Power Input)
 L Terminal = L2 Load.

UNLESS OTHERWISE SPECIFIED: DIMENSIONS ARE IN INCHES TOLERANCES		CEC INDUSTRIES LTD			
		599 BOND STREET		LINCOLNSHIRE IL 60069	
		TITLE ELECTRONIC FLASHER EF30WW			
DRAWN D.C.	DATE 2/08/2008	SIZE A	FSCM NO.	DWG NO. FLASHER EF30WW	REV 1
CHECKED		SCALE	PLOT SCALE	SHEET 1 OF 1	
DESIGN		DO NOT SCALE DRAWING			
MATERIAL	FILE EF30WW.dwg				