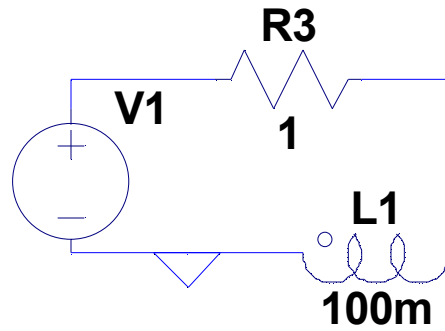
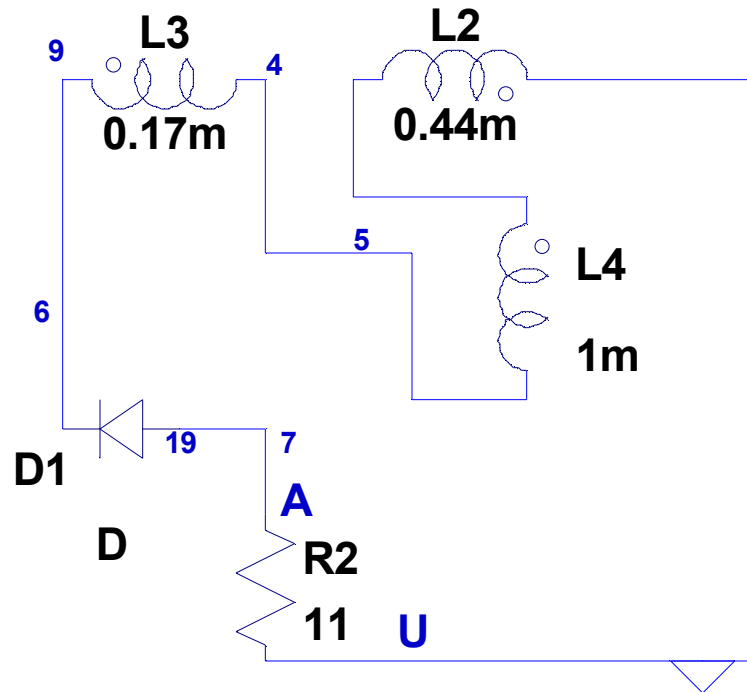


SINE(0 170 60 0 0 0 1000)



Lionel ZW Transformer Whistle Circuit
Victor Roberts, January 24, 2022
Rev. 3



K1 L1 L2 L3 L4 1

.tran 0 0.55 0.5

.model ZW_Diode D(Ron=0.01 Roff=1Meg Vfwd=0.1 Vrev=30)