



PARTS LISTS AND EXPLODED DIAGRAMS

SUPPLEMENT 12

Edited by Samuel J. Baum

Diagrams by Steven Gugel

Notice to the User

This supplement is designed to fit with two different publications, the Lionel Service Manual by Lionel Trains, Inc., and Lionel Parts Lists and Exploded Diagrams published by Greenberg Publishing Company, Inc. Each page has two page numbers. The number for the Lionel Service Manual is indicated by a parenthesis, e.g., (A-35). The number which applies to Lionel Parts Lists and Exploded Diagrams is above the parenthesis, e.g., S-12:1-4.

We recommend that readers with the Lionel Service Manual insert the pages according to the numbers in the parentheses. On the other hand, we recommend that readers with Lionel Parts Lists and Exploded Diagrams keep the pages as a set and insert them into a Supplement binder. Binders to match the 1970-1986 binder are available from Greenberg Publishing Company, Inc., for \$7.50 plus \$2.50 shipping and handling. A comprehensive index to the Lionel Parts Lists and Exploded Diagrams will be issued periodically, and will take the place of the index at the front of the original 1970-1986 manual.

Authorized by Lionel Trains, Inc.

Published by Greenberg Publishing Company, Inc.

Copyright © 1989 by Lionel Trains, Inc.

All rights reserved.

Reproduction of the whole or any part of the contents without written permission is prohibited.

Manufactured in the United States of America.

Published by Greenberg Publishing Company, Inc.

7566 Main Street
Sykesville, MD 21784
(301) 795-7447

Greenberg Publishing Company, Inc., offers the world's largest selection of Lionel, American Flyer, and other toy train publications, as well as books on other collectibles such as toys, marbles, and dollhouses. For a copy of our current catalogue, please send a large self-addressed stamped envelope to Greenberg Publishing Company, Inc., at the above address.

Greenberg Shows, Inc., sponsors the world's largest public model railroad shows. The shows feature extravagant operating model railroads for N, HO, O, Standard, and 1 Gauges, as well as a huge marketplace for buying and selling nearly all model railroad equipment. The shows also feature a large selection of dollhouses and dollhouse furnishings, and other toy collectibles. Shows are currently offered in metropolitan Boston, Long Island in New York, Philadelphia, Pittsburgh, Baltimore, New Jersey, and Florida. To receive the current show listing, please send a self-addressed stamped envelope marked "Train Show Schedule" to the address above.

ISBN 0-89778-107-4

INDEX TO LIONEL PARTS LISTS AND EXPLODED DIAGRAMS SUPPLEMENT 12

ALPHABETICAL INDEX

1 - Indicates Lionel item made after January 1987. Example: 1-2700.

4 - Indicates American Flyer item. Example: 4-2300.

Item	Drawing
OPERATING CARS	
Milk Cars	S12:11-1
9220 1-9802 1-9810	

Item	Drawing
ACCESSORIES	
Diesel Fueling Station	S12:14-1,2
1-2701	
Diesel Horn Shed	S12:14-3
1-2735	
Gantry Crane	S12:14-4 - 6
1-2700	
Mail Pickup Set	S12:14-7
1-2729	
Whistling Freight Shed	S12:14-8
1-2737	

Item	Drawing
AMERICAN FLYER S GAUGE by LIONEL	
Alco PA-1 Powered A Units	S12:17-1
4-8100 4-8251	
Boxcars	S12:17-2
4-8300 4-8301 4-8302	
4-8303 4-8304 4-8305	
4-8306 4-9307 4-9700	
4-9701 4-9702 4-9703	
4-9704 4-9705 4-9706	
4-9707 4-9708 4-9709	
4-9710 4-9711 4-9712	
4-9713	

(NOTE: This drawing replaces page 17-8 in the original manual.)

Item	Drawing
Cabooses — Square Window Type	S12:17-3
4-8702 4-8703	
Flatcars	S12:17-4
w / Logs	
4-9002	
w / Vans	
4-8501 4-8502 4-9000	
4-9004 4-9005	
Hopper Cars	S12:17-5
Two-Bay	
4-8601 4-8602 4-8604	
4-8605 4-9201 4-9205	
4-9206 4-9207 4-9208	
Three-Bay	
4-8600 4-8603 4-9203	
4-9204 4-9209	
Refrigerator Cars	S12:17-2
4-8800 4-8801 4-8802	
Tank Cars — Triple-Dome	S12:17-6
4-8400 4-9104 4-9105	
4-9106	

NUMERICAL INDEX

Item	Drawing	Item	Drawing
9220	S12:11-1	4-9000	S12:17-4
1-2700	S12:14-4 - 6	4-9002	S12:17-4
1-2701	S12:14-1,2	4-9004	S12:17-4
1-2729	S12:14-7	4-9005	S12:17-4
1-2735	S12:14-3	4-9104	S12:17-6
1-2737	S12:14-8	4-9105	S12:17-6
1-9802	S12:11-1	4-9106	S12:17-6
1-9810	S12:11-1	4-9201	S12:17-5
4-8100	S12:17-1	4-9203	S12:17-5
4-8251	S12:17-1	4-9204	S12:17-5
4-8300	S12:17-2	4-9205	S12:17-5
4-8301	S12:17-2	4-9206	S12:17-5
4-8302	S12:17-2	4-9207	S12:17-5
4-8303	S12:17-2	4-9208	S12:17-5
4-8304	S12:17-2	4-9209	S12:17-5
4-8305	S12:17-2	4-9307	S12:17-2
4-8306	S12:17-2	4-9700	S12:17-2
4-8400	S12:17-6	4-9701	S12:17-2
4-8501	S12:17-4	4-9702	S12:17-2
4-8502	S12:17-4	4-9703	S12:17-2
4-8600	S12:17-5	4-9704	S12:17-2
4-8601	S12:17-5	4-9705	S12:17-2
4-8602	S12:17-5	4-9706	S12:17-2
4-8603	S12:17-5	4-9707	S12:17-2
4-8604	S12:17-5	4-9708	S12:17-2
4-8605	S12:17-5	4-9709	S12:17-2
4-8702	S12:17-3	4-9710	S12:17-2
4-8703	S12:17-3	4-9711	S12:17-2
4-8800	S12:17-2	4-9712	S12:17-2
4-8801	S12:17-2	4-9713	S12:17-2
4-8802	S12:17-2		

LIONEL SERVICE MANUAL BY LIONEL SERVICE

Description	Drawing
Milk Cars: 9200, 1-9802, 1-9810	(F-76)
1-2700 Gantry Crane	(I-33, I-33-2, I-33-3)
1-2701 Diesel Fueling Station	(I-34, I-34-2)
1-2729 Mail Pickup Set	(I-35)
1-2735 Diesel Horn Shed	(I-36)
1-2737 Whistling Freight Shed	(I-37)
AF PA-1 Powered A Units: 4-8100, 4-8251	(SB-2)
AF Boxcars and Refrigerator Cars	(SE-6)
Boxcars:	
4-8300 4-8301 4-8302	
4-8303 4-8304 4-8305	
4-8306 4-9307 4-9700	
4-9701 4-9702 4-9703	
4-9704 4-9705 4-9706	
4-9707 4-9708 4-9709	
4-9710 4-9711 4-9712	
4-9713	
Refrigerator Cars:	
4-8800 4-8801 4-8802	
AF Hopper Cars	(SE-7)
Two-Bay:	
4-8601 4-8602 4-8604	
4-8605 4-9201 4-9205	
4-9206 4-9207 4-9208	
Three-Bay:	
4-8600 4-8603 4-9203	
4-9204 4-9209	
AF Triple-Dome Tank Cars	(SE-8)
4-8400 4-9104 4-9105	
4-9106	
AF Flatcars	(SE-9)
w / Logs: 4-9002	
w / Vans:	
4-8501 4-8502 4-9000	
4-9004 4-9005	
AF Square Window Cabooses	(SE-10)
4-8702 4-8703	

MILK CARS

9220 Bordon, 1-9802 Carnation, 1-9810 Bosco

9220-11
Roof Door (Borden only)
10-xxxx-44
Roof Door (all others)



9220-17
Roof & Ends (Borden only)

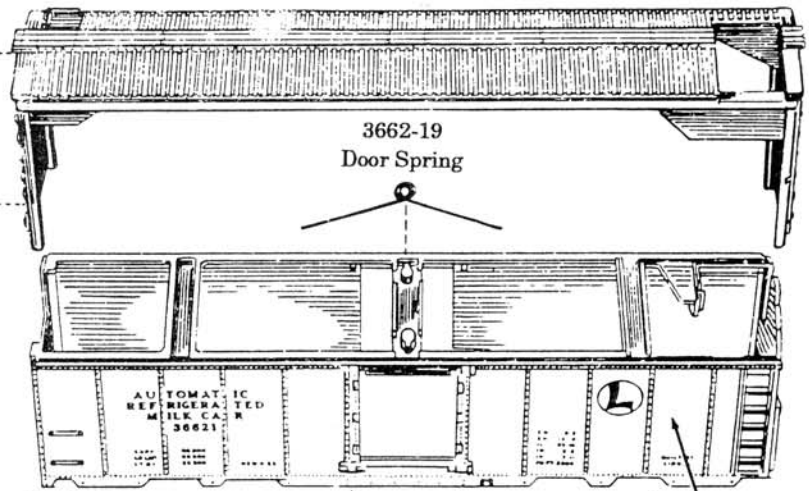
10-xxxx-14
Roof & Ends (all others)

9020-10
Brakewheel

9700-25 or 8555-30
Screw (body mtg)

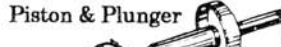
9220-7
Body (Borden only)

10-xxxx-3
Body (all others)



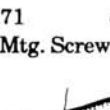
3662-19
Door Spring

10-9802-69
Piston & Plunger

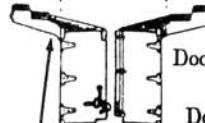


8040-171
Coil & Bracket Mtg. Screw

3662-66
Coil & Bracket Assy



3662-49
Conical Spring



9220-12
Door - R.H. (Borden only)

10-xxxx-24
Door - R.H. (all others)

3662-18
Door Retainer

9220-14
Door - L.H. (Borden only)

10-xxxx-34
Door - L.H. (all others)

(Included w/10-9802-69)

9220-10
Decal (Borden)

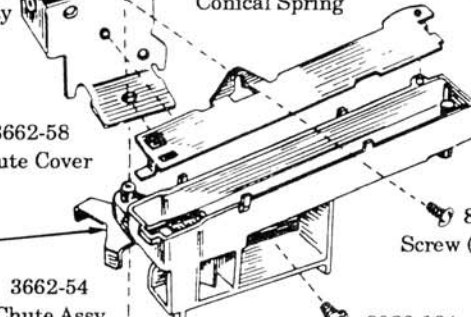
3662-56
Can Sweep Arm



3662-83
Eyelet



3662-58
Chute Cover



3662-54
Chute Assy

8240-71
Screw (Chute Cover)

2036-164
Screw (Chute Mtg)

3662-89
Figure



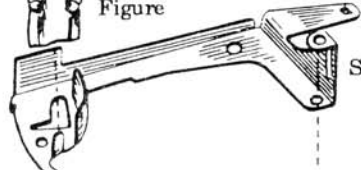
3662-60
Milk Can



10-9802-10
Decal (Carnation)

10-9810-30
Decal (Bosco)

3662-35
Sweep Arm (long)



671M-22
Retaining Washer

3662-38
Push Stud



3662-37
Sweep Arm Spring



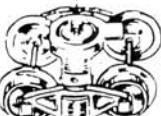
3662-34
Sweep Arm (short)



3662-33
Frame



3662-30
Short Sweep Arm Pivot



3662-29
Long Sweep Arm Pivot

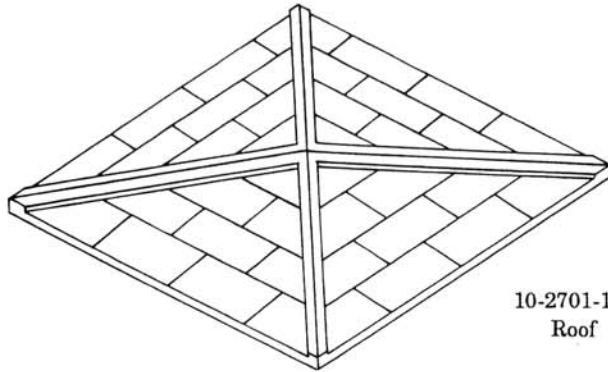
483-1
Truck & Base Plate Assy
(includes Coupler)



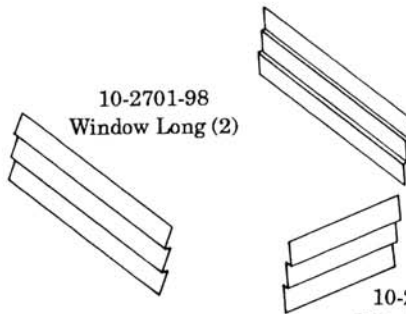
483-2
Base Plate & Coupler

DIESEL FUELING STATION

1-2701

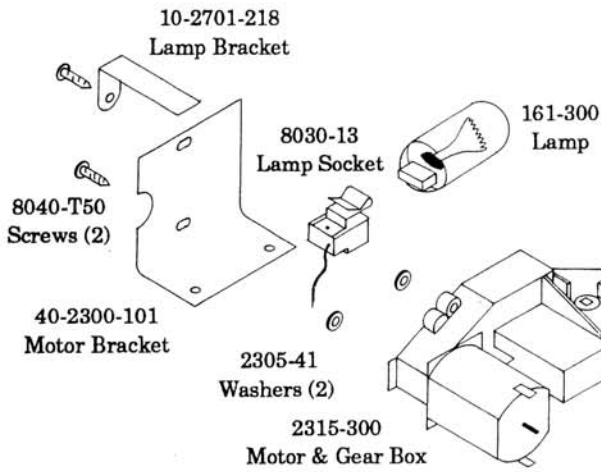


10-2701-114
Roof



10-2701-98
Window Long (2)

10-2701-99
Window Short



10-2701-218
Lamp Bracket

8030-13
Lamp Socket

161-300
Lamp

8040-T50
Screws (2)

40-2300-101
Motor Bracket

2305-41
Washers (2)

2315-300
Motor & Gear Box

10-8401-20
Rectifier

10-2701-90
Counterweight

10-2701-86
Shaft & Fuel Pipe

10-2701-117
Tank

415-78
Post & Brake Wheel Assy

10-2701-20
Figure

10-2701-110
Stanchion

415-115
Sand Hose

10-2701-17
Building

10-2701-81
Post Base

10-2701-115
Pivot Arm

10-2701-92
Steps

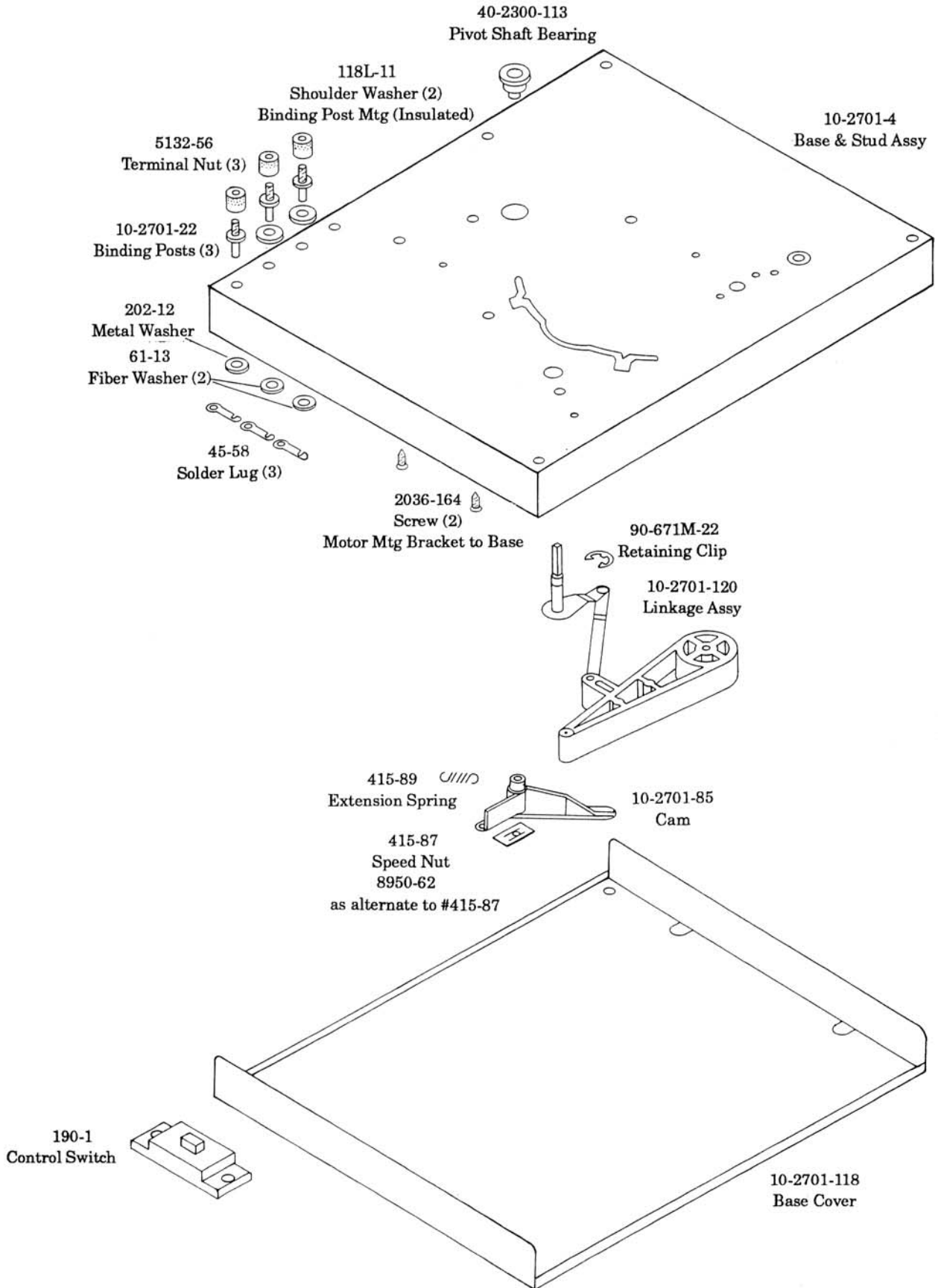
415-106
Tubular Speed Nut
(Retains Stanchion

10-2701-110)

455-20
Speed Nut (5)

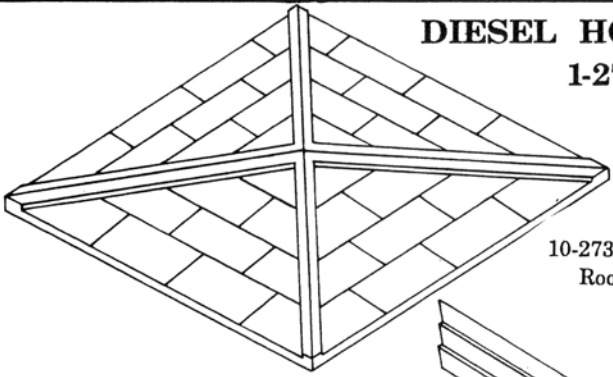
DIESEL FUELING STATION (Continued)

1-2701

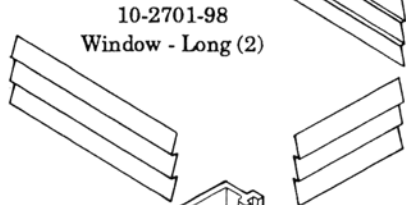


DIESEL HORN SHED

1-2735

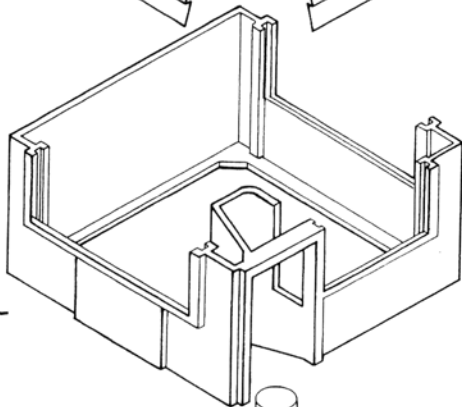


10-2735-14
Roof

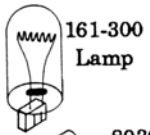


10-2701-98
Window - Long (2)

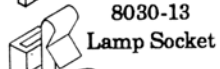
10-2701-99
Window - Short



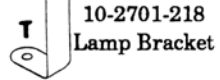
10-2735-3
House



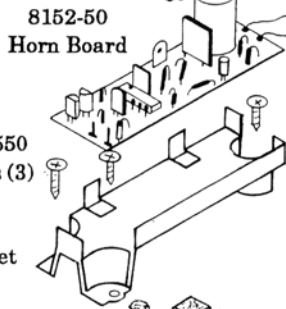
161-300
Lamp



8030-13
Lamp Socket



10-2701-218
Lamp Bracket



8152-50
Horn Board

8400-550
Screws (3)

8477-85
Circuit Board Mounting Bracket

256-4
Mounting Studs (3)

DIN4-1
Diode 8265-518
1x1 Foam Pad

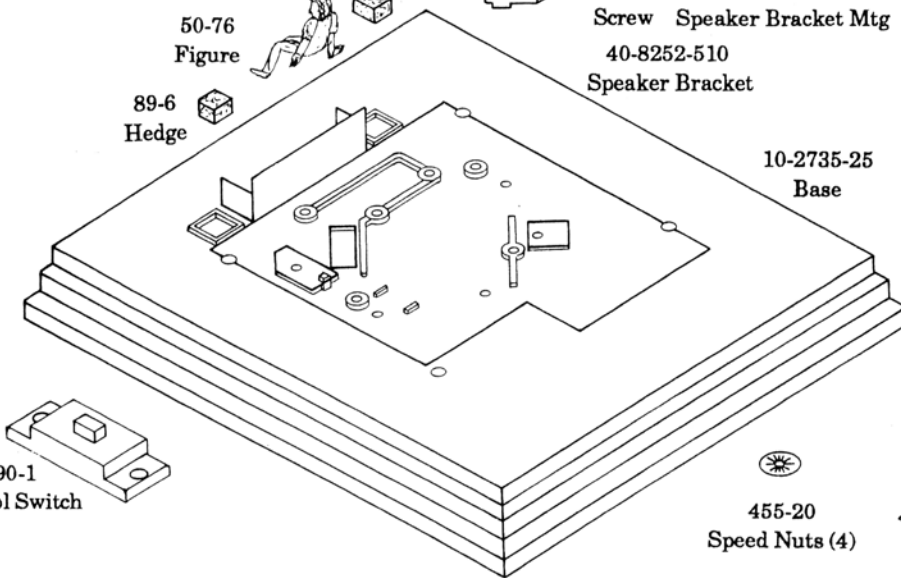
8152-536
Speaker

8400-5
Screw Speaker Bracket Mtg

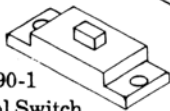
40-8252-510
Speaker Bracket

50-76
Figure

89-6
Hedge

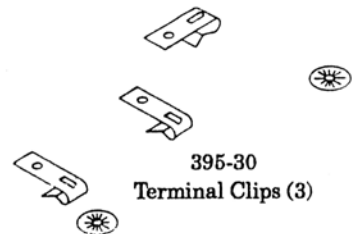


10-2735-25
Base



190-1
Control Switch

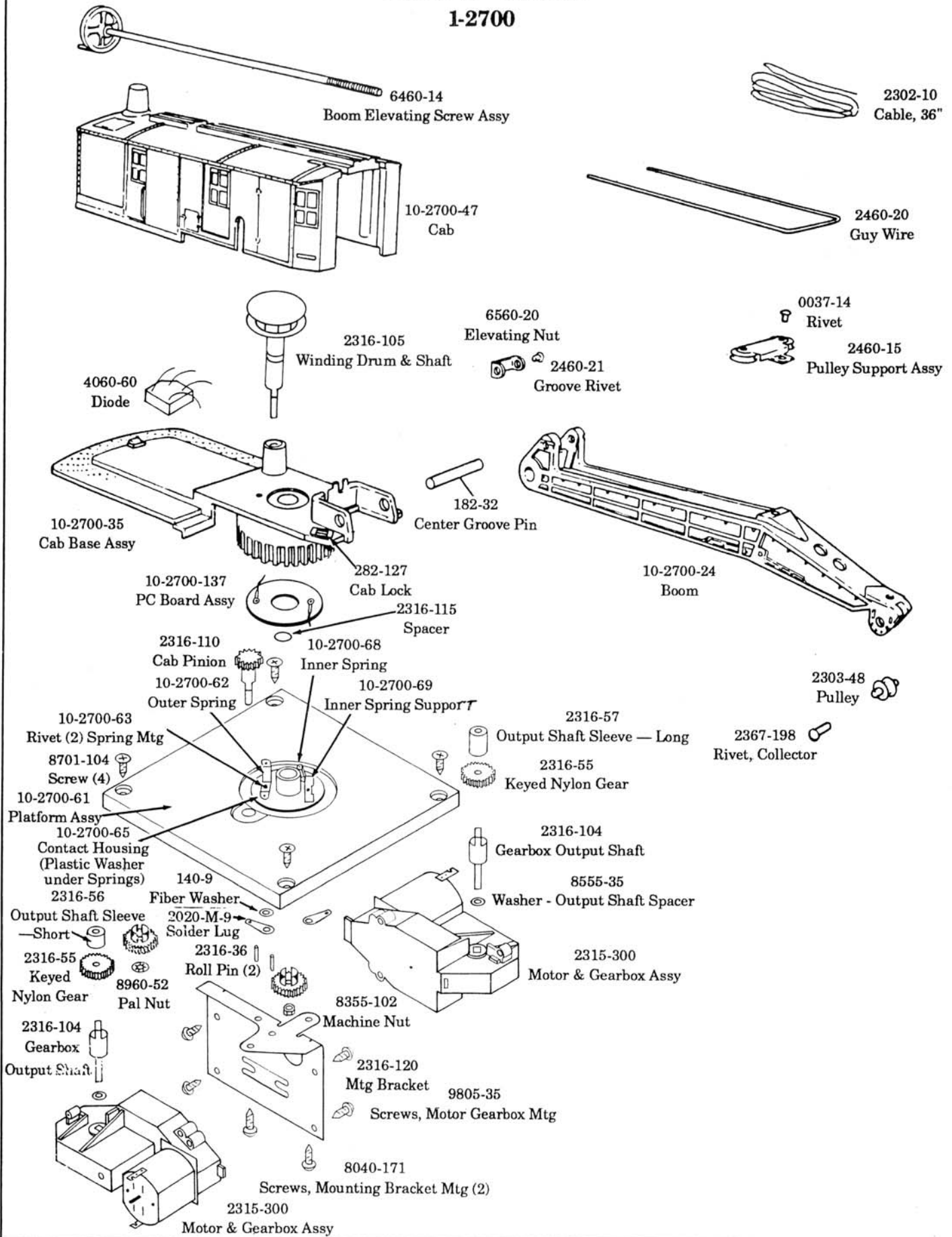
455-20
Speed Nuts (4)



395-30
Terminal Clips (3)

GANTRY CRANE

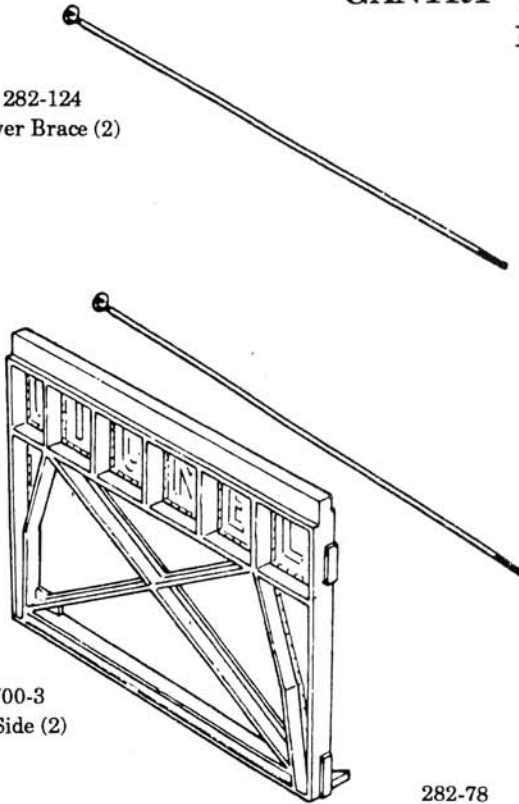
1-2700



GANTRY CRANE (Cont.)

1-2700

282-124
Tower Brace (2)



10-2700-3
Tower Side (2)

10-2700-2
Tower End (2)

282-78
Wheel Pin (2)
40-9500-63
Wheel (2)

282-82
Threaded Sleeve (2)

6560-13
Block, Hook & Pulley Assy



610-2700-730
Hook

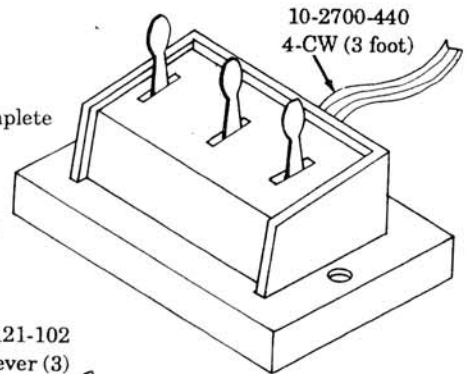


610-2700-300
Magnet with Leads

Note: Tower End includes Wheel and Pin.

610-2700-400
Controller w/Leads - Complete

10-2700-407
Controller Cover



1121-102
Lever (3)

2315-433
Lever Pivot Pin (3)

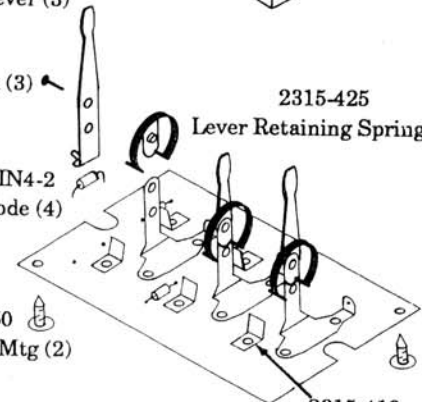
DIN4-2
Diode (4)

8400-550
Screw, Cover Mtg (2)

2315-431
Rivet, Contact Spring Mtg (5)

2315-425
Lever Retaining Spring (3)

2315-416
Contact (5)

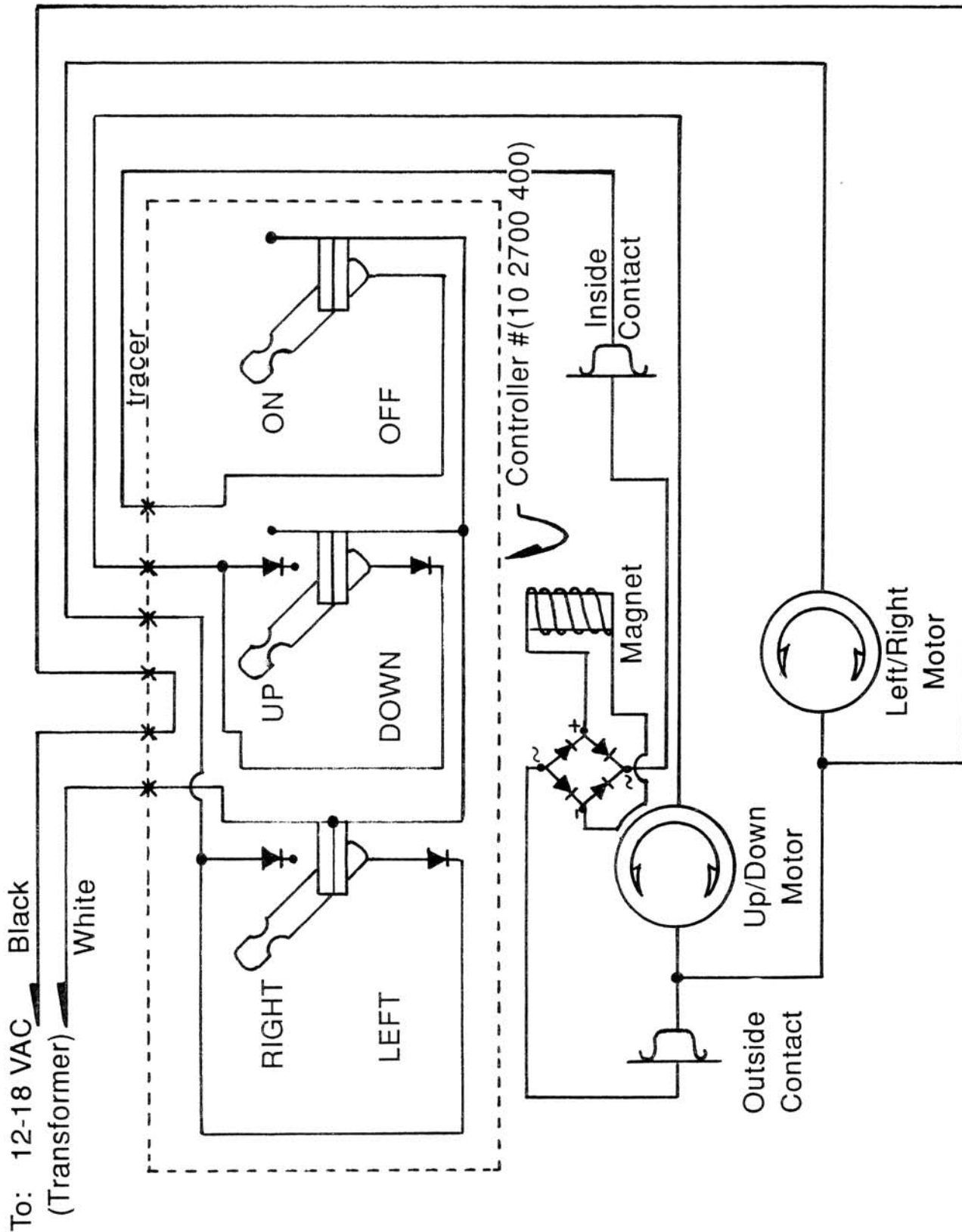


GANTRY CRANE (Cont.)

1-2700

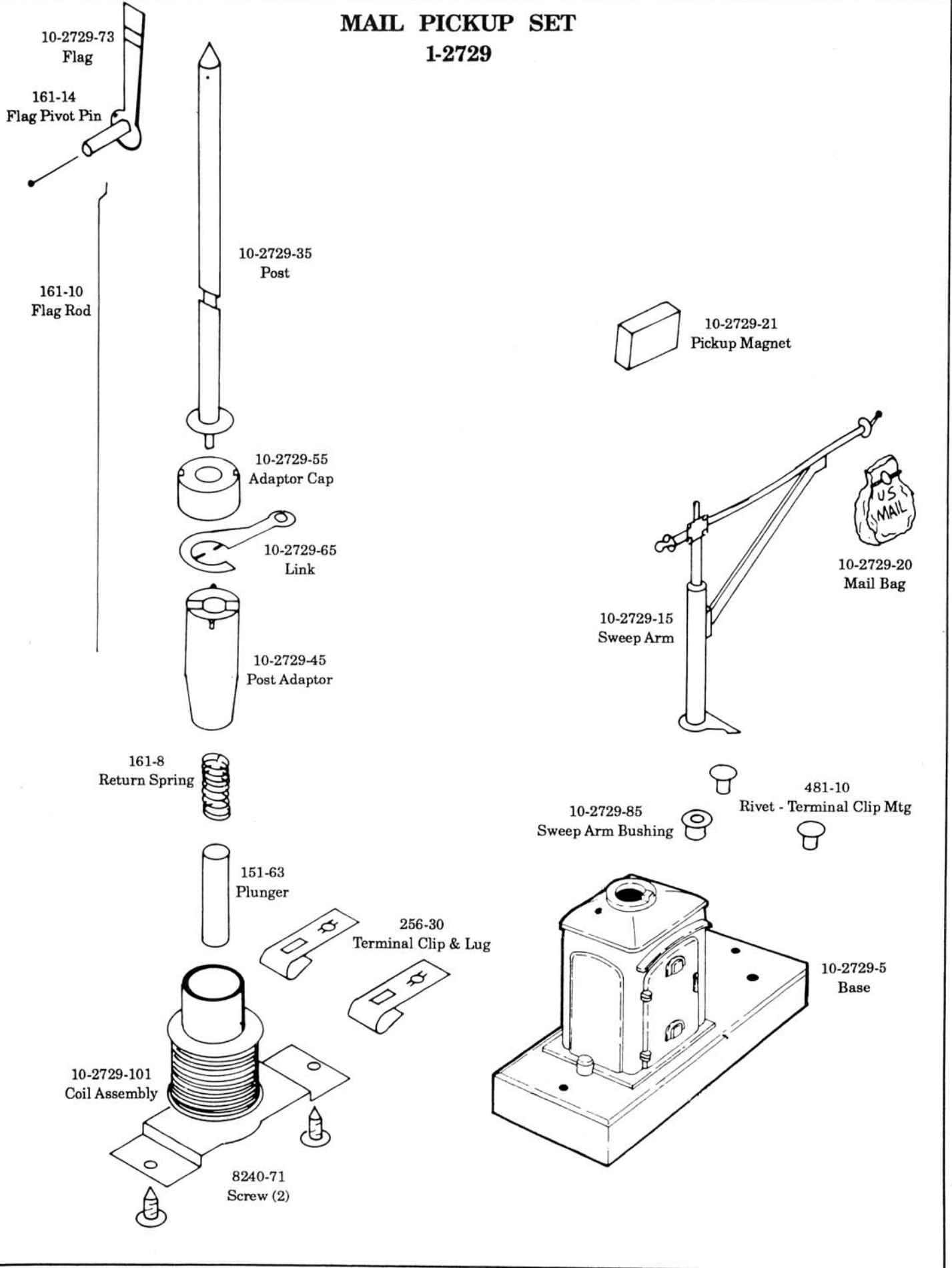
replaces page S12:14-6 (I-33-3)

Schematic for Part No. 10-2700-001



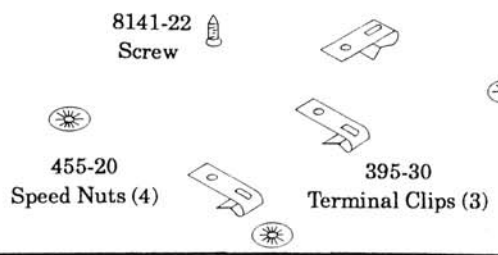
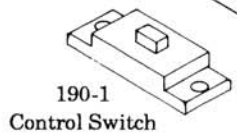
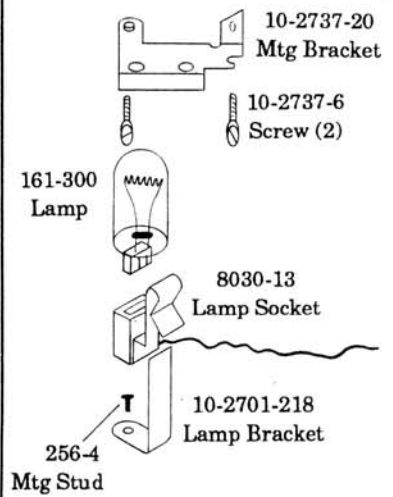
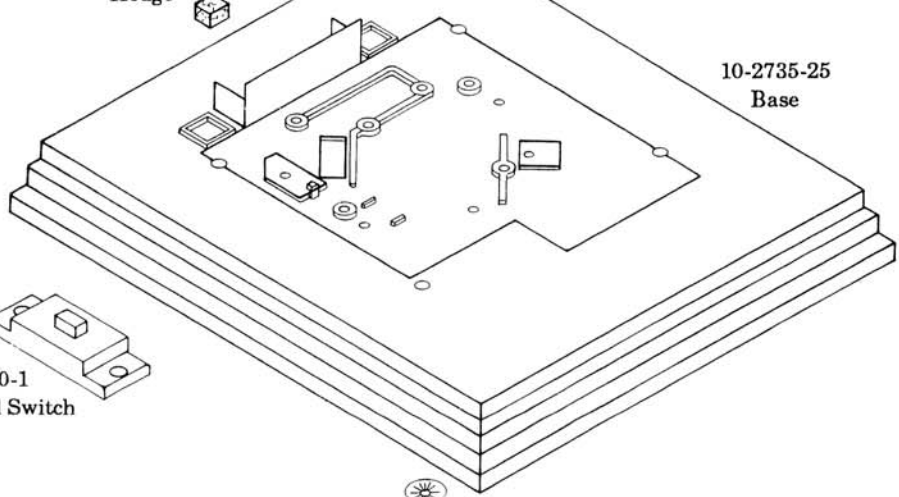
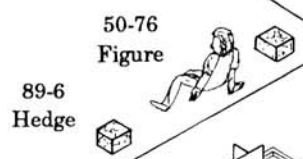
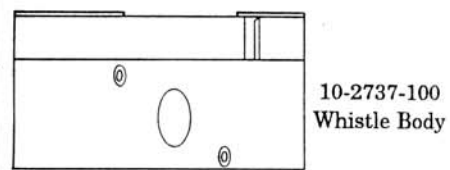
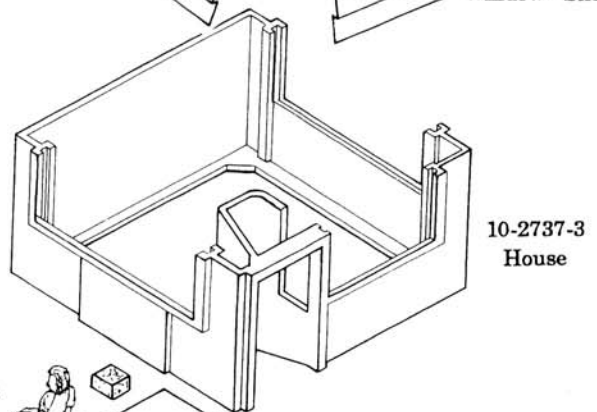
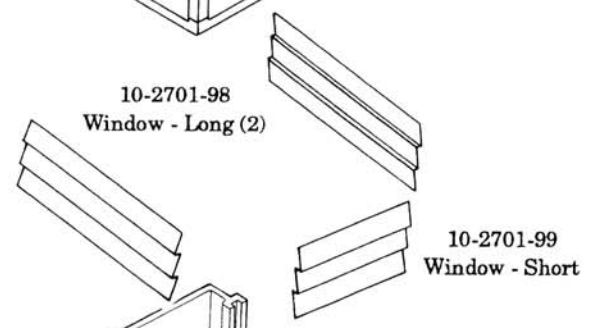
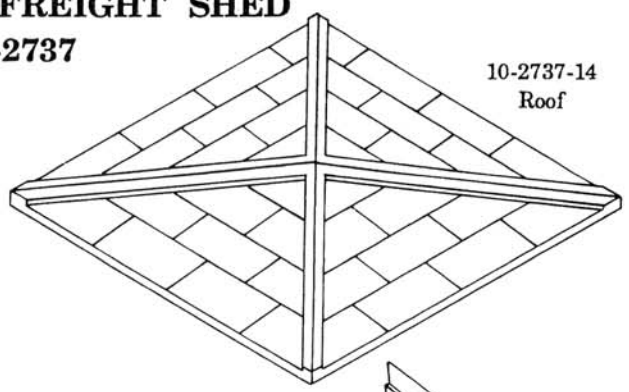
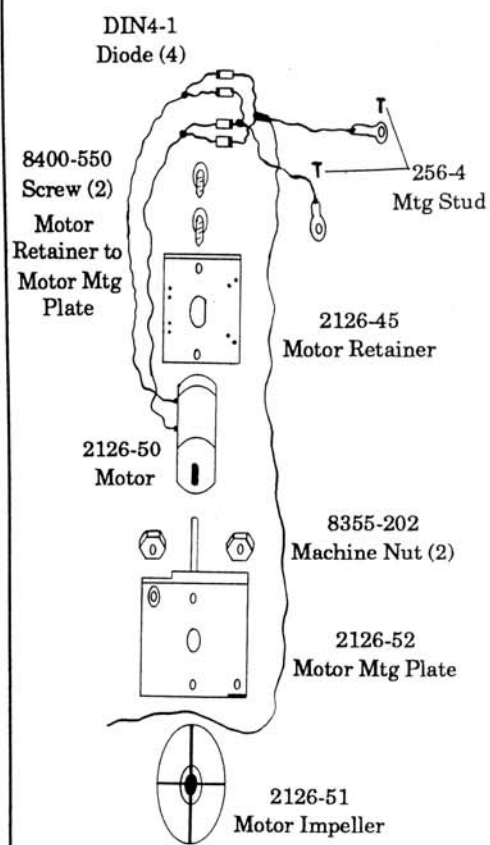
MAIL PICKUP SET

1-2729



WHISTLING FREIGHT SHED

1-2737



ALCO PA-1 POWERED A UNITS

4-8100 Wabash

4-8251 Erie

40-8153-055
Porthole Lens (4)

40-8153-026
Air Intake

40-8XXX-002
Cab, Decorated

40-8153-025
Horn, Ornamental

40-8251-015
Window Shell

40-8153-015
Lens, Headlight

40-8100-010
Decal (Wabash)

40-8251-010
Decal (Erie)

40-8153-034
Tru-Arc Ring

40-8153-039
Steel Washer

40-8153-031
Fiber Washer

40-0106-001
E-Unit, Electronic

8352-300
Lamp & Socket Assy

40-8153-060
Switch, E-Unit

40-8153-034
Tru-Arc Ring

40-8153-039
Steel Washer

40-8153-031
Fiber Washer

8352-310
Light bulb

40-8153-045
Lamp Bracket & Eyelet Assy

40-8251-011
Frame, Powered

40-8251-030
Insulating Bushing & Washer

40-8153-040
Screw, E-Unit Switch (4)

2151-035
Screw, #6x5/16" Body Mount (2)

40-8251-140
Yoke & Stud Assy

40-8251-030
Insulating Bushing & Washer

2151-035
Screw, #6x5/16" Body Mount (2)

40-8251-073
Rear Frame & Truck Side Assy

40-8251-100
Motor Truck

Note: For Motor Truck breakdown,
refer to figs. S10-17-1 (SB-3)
S10-17-2 (SB-4).

40-8251-072
Front Frame, Truck Side, & Coupler Assy

40-8153-177
Traction Tires (4)

40-8153-074
Arm & Coupler Assy

40-8153-036
Screw (2)

40-8153-036
Screw (2)

40-8153-188
Oiling Wick (2)

40-8153-032
Shoulder Rivet

40-8153-038
Shoulder Rivet

40-8153-188
Oiling Wick (2)

Rear Coupler Mtg to Rear Truck Frame

Front Truck-Coupler Arm to Truck Frame

BOXCARS AND REFRIGERATOR CARS

40-xxxx-3 (or 7)
Boxcar Body

40-xxxx-007
Reefer Body

40-xxxx-14
Door

40-9700-21
Door Guide

40-9700-26
Drive Screw

40-9700-16
Door Handle

8400-5
Screw (Body Mtg)

40-xxxx-14
Door

40-9700-16
Door Handle

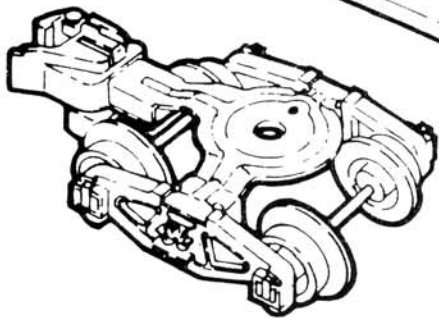
40-9700-26
Drive Screw

40-9700-21
Door Guide

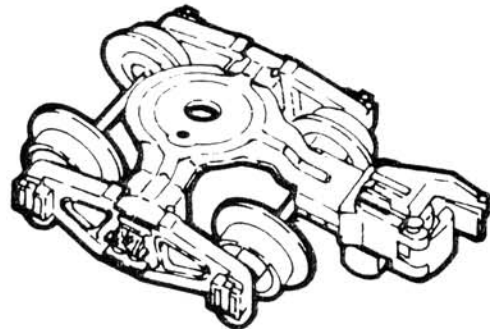
40-9700-15
Brake Handle

40-9700-020
Frame

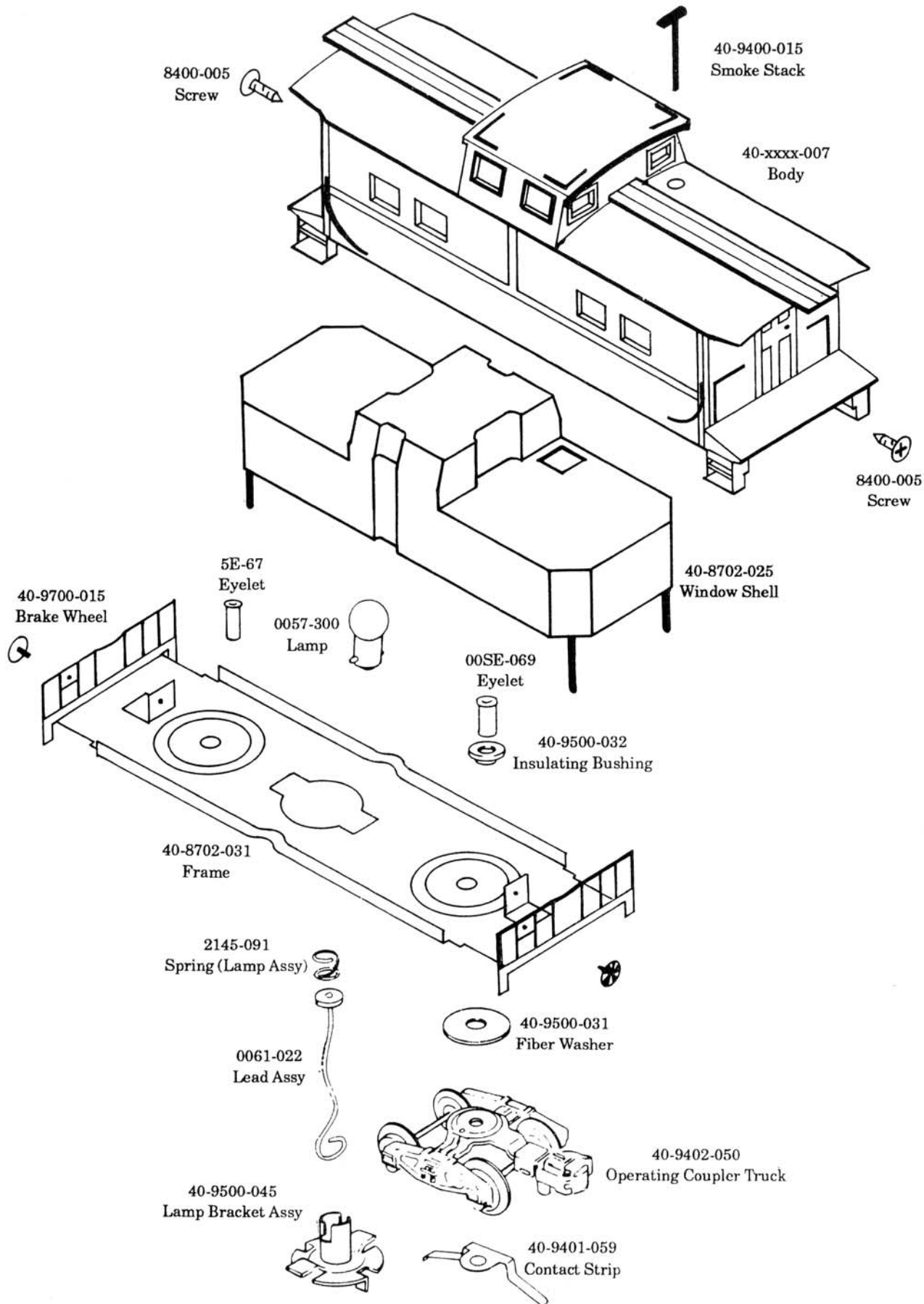
SE-65
Eyelet



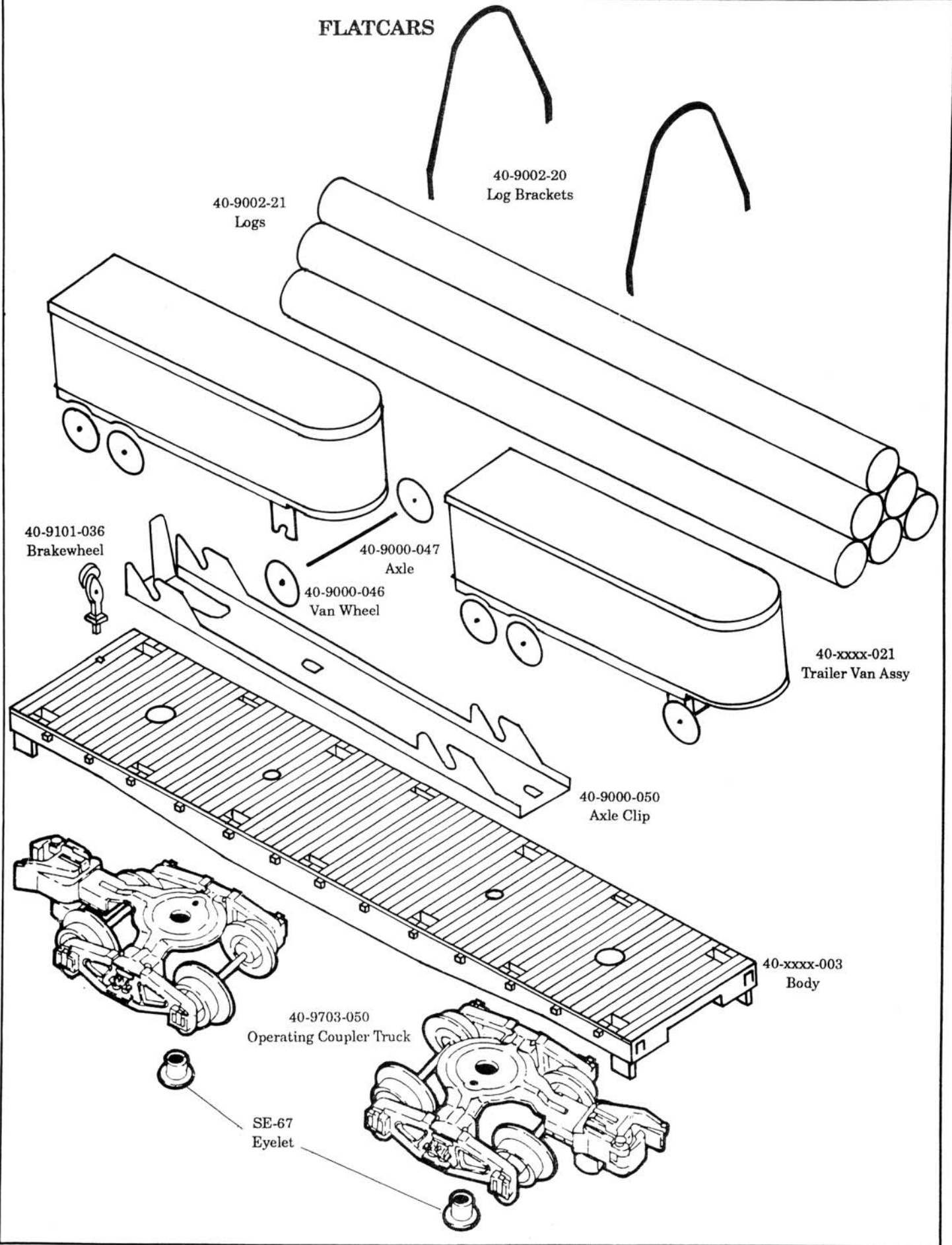
40-9703-050
Operating Truck



SQUARE WINDOW CABOOSES

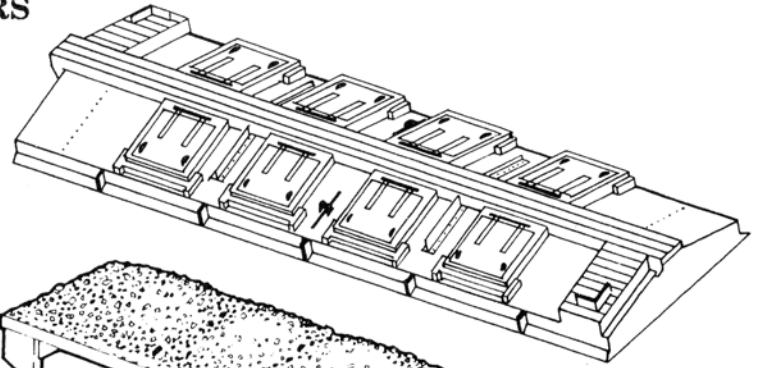


FLATCARS

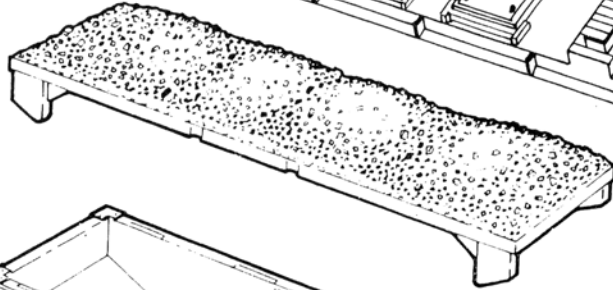


HOPPER CARS

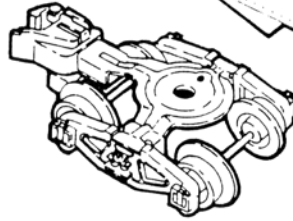
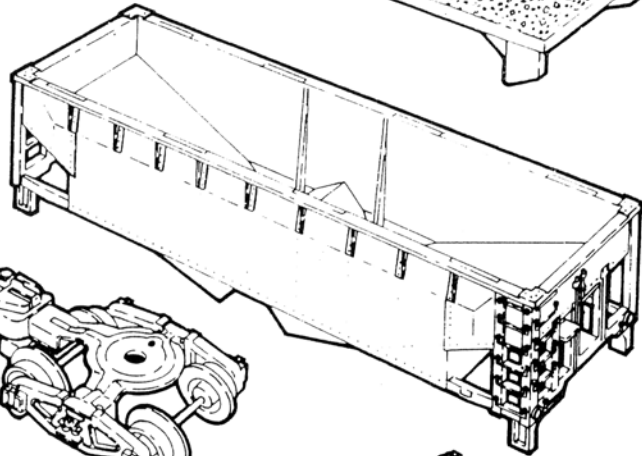
40-xxxx-024
Roof



40-9200-15
Coal Load

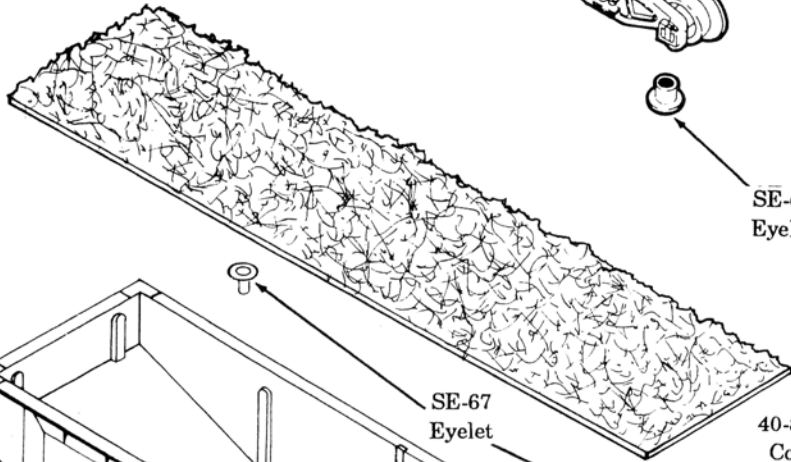


40-xxxx-3
Body (2 Bay Hopper)



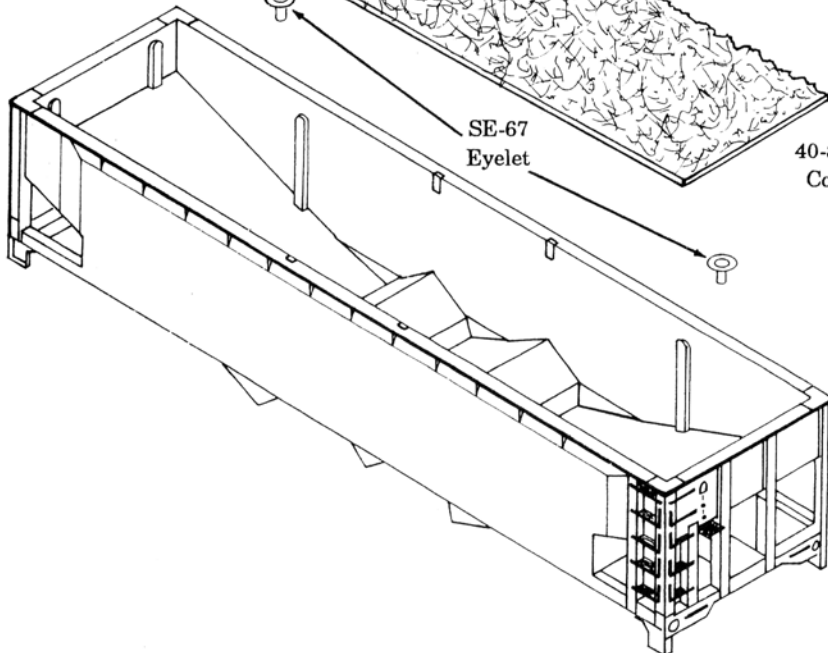
SE-67
Eyelet

40-9703-050
Operating Coupler Truck



SE-67
Eyelet

40-8603-015
Coal Load



40-xxxx-007
Body (3 Bay Hopper)

40-9700-015
Brakewheel

TRIPLE-DOME TANK CARS

