



PARTS LISTS AND EXPLODED DIAGRAMS

SUPPLEMENT 13

Edited by Cindy Lee Floyd

Diagrams by Steven Gugel

Layout Design by Maureen F. Crum

Notice to the User

This supplement is designed to fit with two different publications, the Lionel Service Manual by Lionel Trains, Inc., and Lionel Parts Lists and Exploded Diagrams published by Greenberg Publishing Company, Inc. Each page has two page numbers. The number for the Lionel Service Manual is indicated by parenthesis, e.g., (A-35). The number which applies to Lionel Parts Lists and Exploded Diagrams is above the parenthesis, e.g., S-13:1-4.

We recommend that readers with the Lionel Service Manual insert the pages according to the numbers in the parenthesis. On the other hand, we recommend that readers with Lionel Parts Lists and Exploded Diagrams keep the pages as a set and insert them into a Supplement binder. Binders to match the 1970-1986 binder are available from Greenberg Publishing Company, Inc., for \$7.50 plus \$2.50 shipping and handling. A comprehensive index to the Lionel Parts Lists and Exploded Diagrams will be issued periodically, and will take the place of the index at the front of the original 1970-1986 manual.

Authorized by Lionel Trains, Inc.

Published by Greenberg Publishing Company, Inc.

Copyright © 1989 by Lionel Trains, Inc.

All rights reserved.

Reproduction of the whole or any part of the contents
without written permission is prohibited.

Manufactured in the United States of America.

Published by Greenberg Publishing Company, Inc.

7566 Main Street
Sykesville, MD 21784
(301) 795-7447

Greenberg Publishing Company, Inc., offers the world's largest selection of Lionel, American Flyer and other toy train publications, as well as books on other collectibles such as toys, marbles, and dollhouses. For a copy of our current catalogue, please send a large self-addressed stamped envelope to Greenberg Publishing Company, Inc., at the above address.

Greenberg Shows, Inc., sponsors the world's largest public model railroad, dollhouse, and toy shows. The shows feature extravagant operating model railroads for N, HO, O scales, Standard and 1 Gauges, as well as a huge marketplace for buying and selling nearly all model railroad equipment. The shows also feature a large selection of dollhouses and dollhouse furnishings, and other toy collectibles. Shows are currently offered in metropolitan Baltimore, Boston, Wilmington Delaware, Ft. Lauderdale, and Tampa. Florida, Cherry Hill, New Jersey, Long Island in New York, Philadelphia, Pittsburgh, and Richmond, Virginia. To receive our current show listing, please send a self-addressed, stamped envelope marked *Train Show Schedule* to the address above.

ISBN 0-89778-150-3

INDEX TO LIONEL PARTS LISTS AND EXPLODED DIAGRAMS SUPPLEMENT 13

ALPHABETICAL INDEX

O AND O27 GAUGES

Diesel Engines and Electrics

Twin Motored Alco Units S13:1-1,2
1-8901 1-8903

RS3 Diesel S13:1-3,4
1-8803 1-8804 1-8805

Handcar S13:1-5
1-8401 1-8403 1-8408

Steam Locomotives

4-6-2 Locomotive S13:3-1,2
1-8004 8610

Tenders

Large Round Top Tender S13:4-1
1-8004-T1

Cabooses

Smoking S13:7-1,2
1-9704 1-9705 1-9706
1-9807

Accessories

Refreshment Stand S13:14-1
1-2719

Roadside Diner S13:14-2
1-2722

LARGE SCALE

Steam Locomotives

0-4-0 Locomotive S13:20-1,2
8-5000 Rail Scope
8-5104 Santa Fe
8-5105 Penn
8-5108 B & O
8-5114 North Pole Express

4-4-2 Locomotive S13:20-3,4
8-5102 New York Central
8-5103 Santa Fe
8-5106 Chessie
8-5107 Great Northern

Tenders

4-4-2 Tender S13:23-1
18-5102-T01 New York Central
18-5103-T01 Santa Fe
18-5106-T01 Chessie
18-5107-T01 Great Northern

NUMERICAL LISTING

8610	S13:3-1,2	1-9706	S13:7-1,2
1-2719	S13:14-1	1-9807	S13:7-1,2
1-2722	S13:14-2	8-5000	S13:20-1,2
1-8004	S13:3-1,2	8-5102	S13:20-3,4
1-8004-T1	S13:4-1	8-5103	S13:20-3,4
1-8401	S13:1-5	8-5104	S13:20-1,2
1-8403	S13:1-5	8-5105	S13:20-1,2
1-8408	S13:1-5	8-5106	S13:20-3,4
1-8803	S13:1-3,4	8-5107	S13:20-3,4
1-8804	S13:1-3,4	8-5108	S13:20-1,2
1-8805	S13:1-3,4	8-5114	S13:20-1,2
1-8901	S13:1-1,2	18-5102-T01	S13:23-1
1-8903	S13:1-1,2	18-5103-T01	S13:23-1
1-9704	S13:7-1,2	18-5106-T01	S13:23-1
1-9705	S13:7-1,2	18-5107-T01	S13:23-1

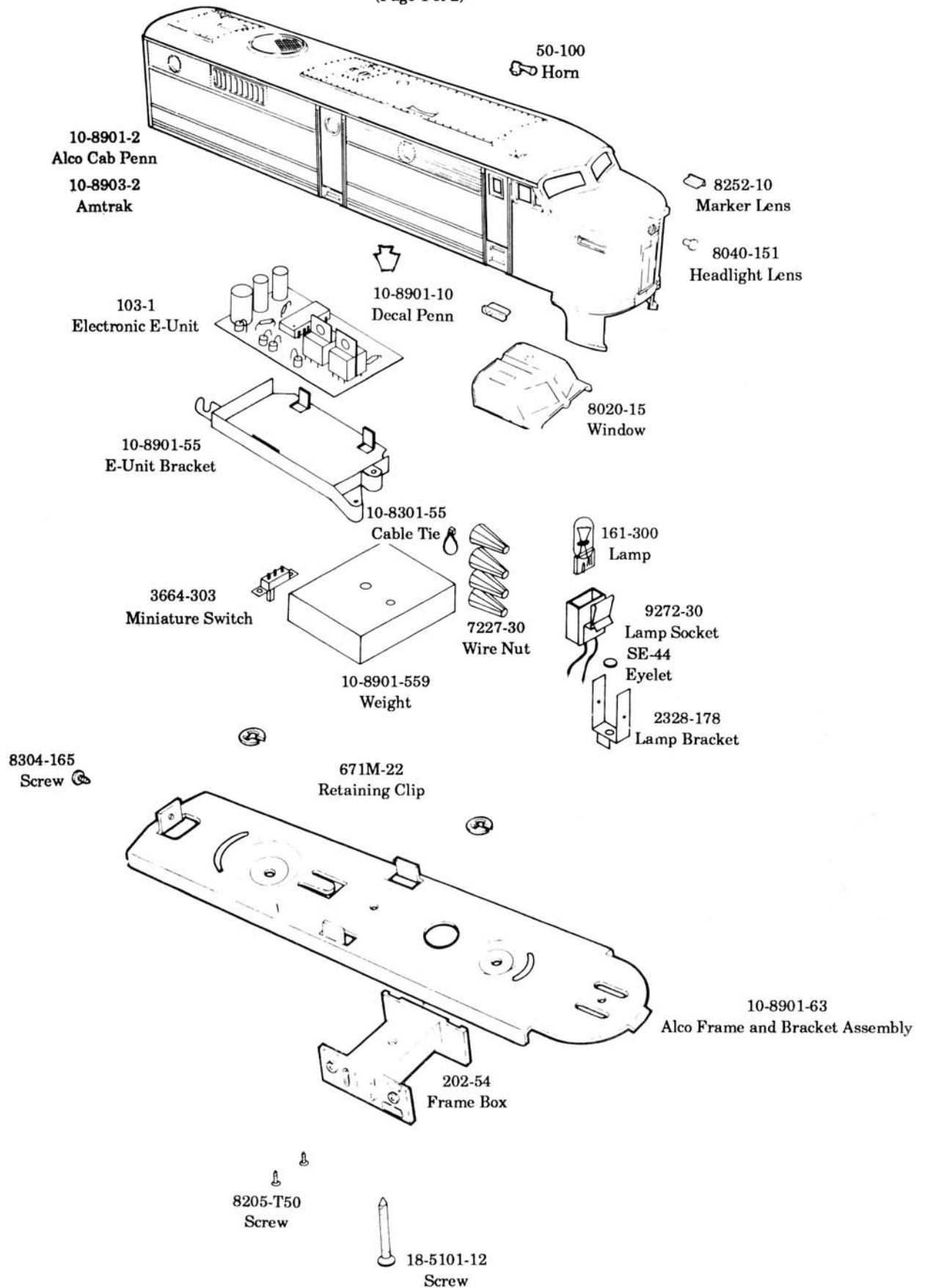
LIONEL SERVICE MANUAL BY LIONEL SERVICE

Description	Drawing
Steam Locomotives: 1-8004, 8610	(A-40), (A-40-2)
Diesel Engines and Electrics:	
Diesels:	(B-34), (B-34-2)
1-8803 1-8804 1-8805	
Handcars:	(B-31)
1-8401 1-8403 1-8408	
Twin Motored Alco Units:	(B-35), (B-35-2)
1-8901 1-8903	
Tenders: 1-8004-T1	(C-22)
Cabooses: 1-9704, 1-9705, 1-9706, 1-9807	(F-77), (F-77-2)
Accessories:	
Refreshment Stand	(I-38)
1-2719	
Roadside Diner	(I-39)
1-2722	
Large Scale 0-4-0 Locomotives: 8-5000, 8-5104, 8-5105, 8-5108, 8-5114	(M-5), (M-6)
Large Scale 4-4-2 Locomotives: 8-5102, 8-5103, 8-5106, 8-5107	(M-8), (M-9)
Large Scale 4-4-2 Tenders: 18-5102-T01, 18-5107-T01, 18-5103-T01, 18-5106-T01	(N-1)

TWIN MOTORED ALCO UNITS

1-8901 and 1-8903

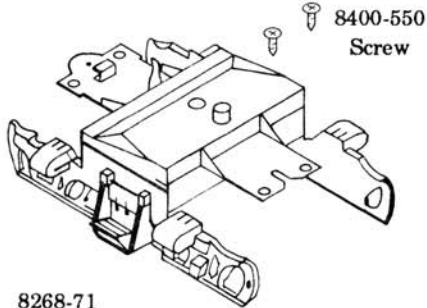
(Page 1 of 2)



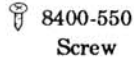
TWIN MOTORED ALCO UNITS

1-8901 and 1-8903

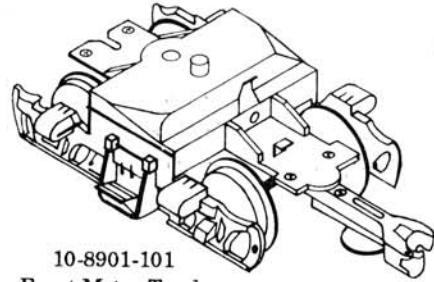
(Page 2 of 2)



8268-71
Front Truck Side and Stud Assembly



8263-71
Rear Truck Side and Stud Assembly



10-8901-101
Front Motor Truck

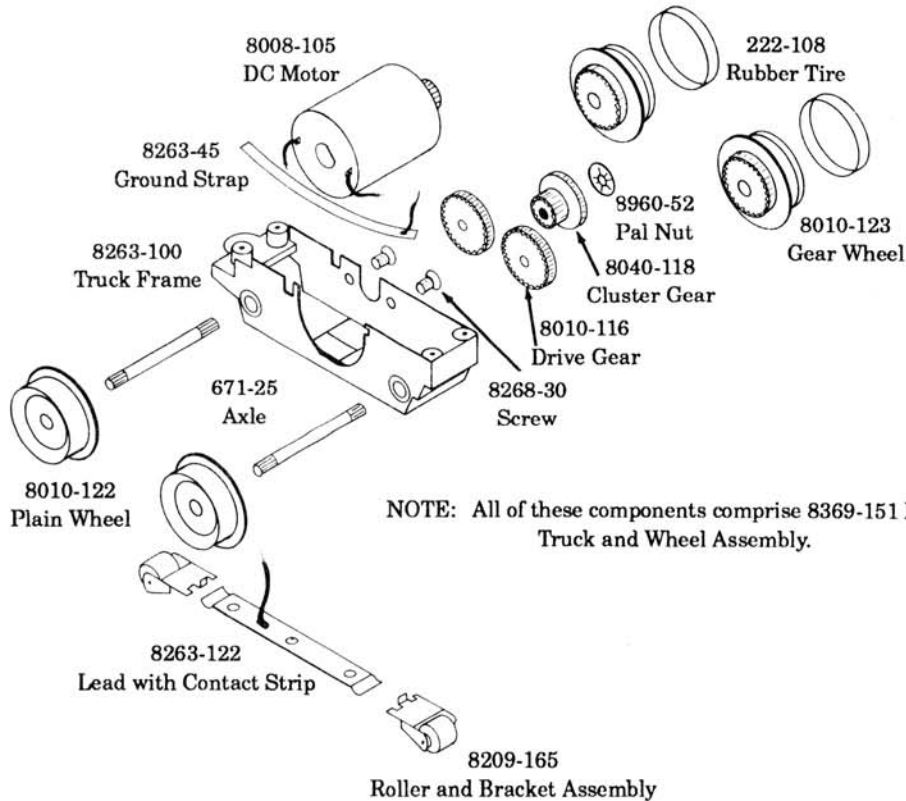
8263-55
Coupler and Arm Assembly

10-8901-102
Rear Motor Truck

(Note: Same as 10-8901-101, but uses 8268-60 dummy coupler)



8268-60
Dummy Coupler



NOTE: All of these components comprise 8369-151 Motor Truck and Wheel Assembly.

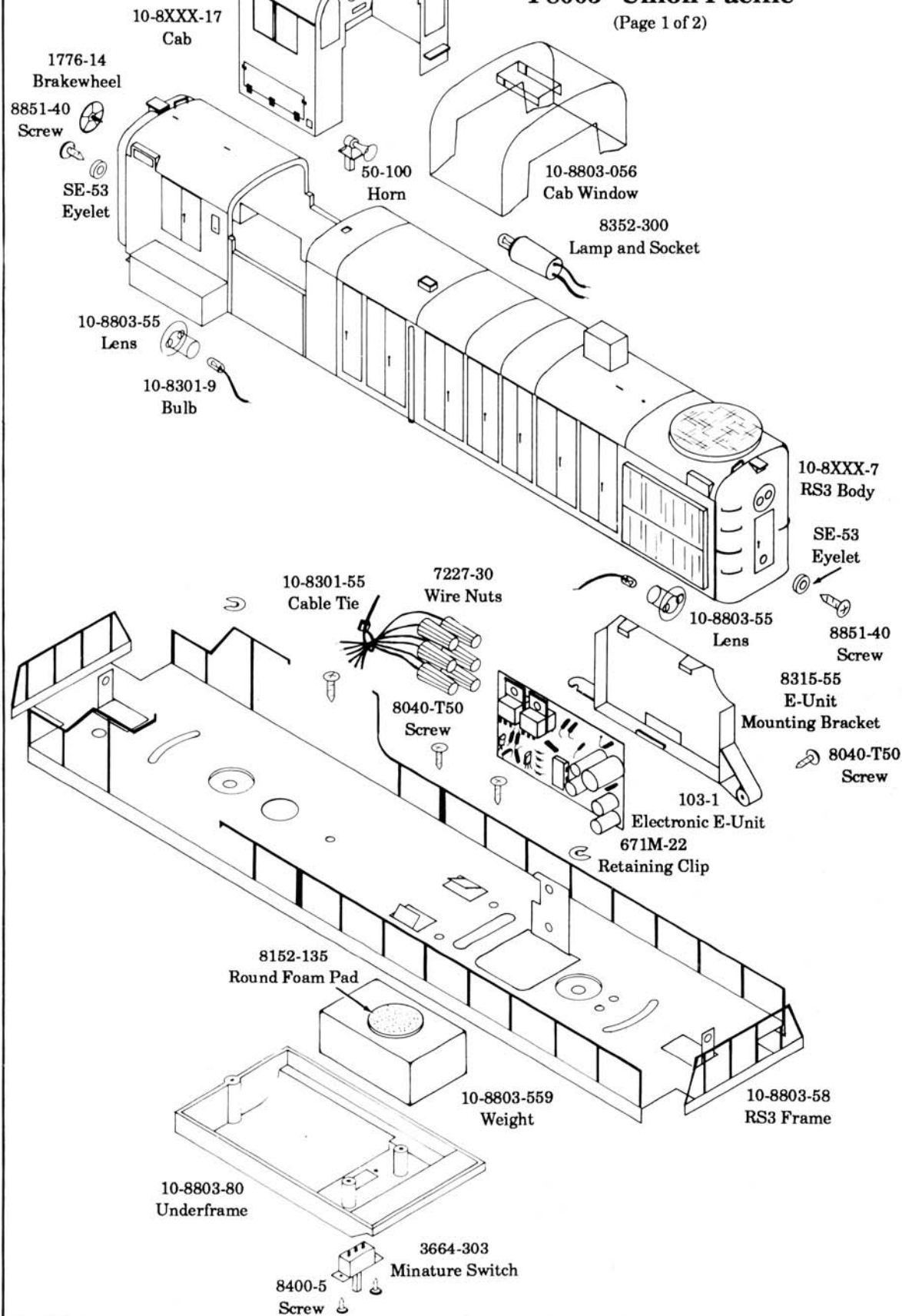
RS3 DIESEL LOCOMOTIVE

1-8803 Santa Fe

1-8804 Soo Line

1-8005 Union Pacific

(Page 1 of 2)



RS3 DIESEL LOCOMOTIVE

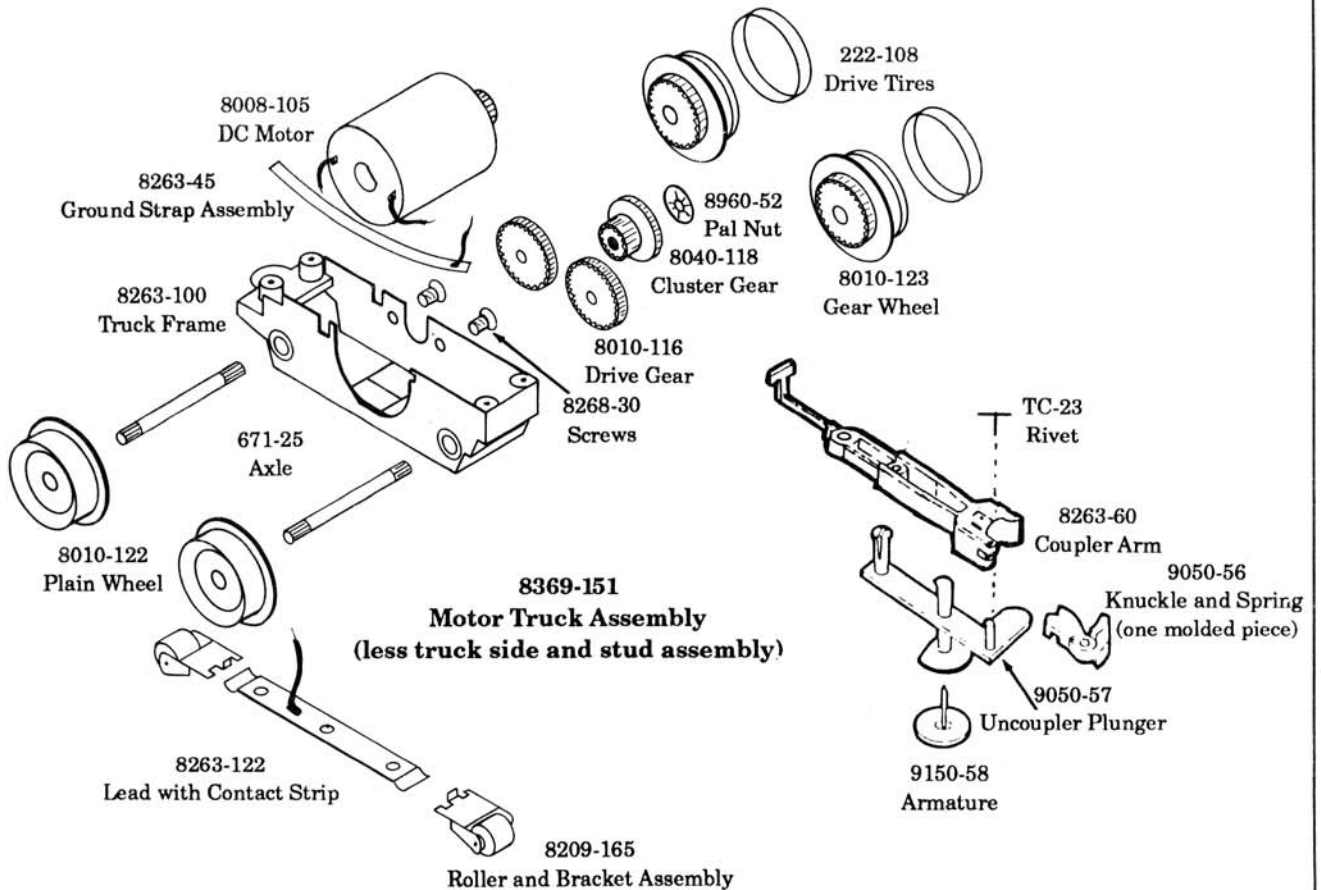
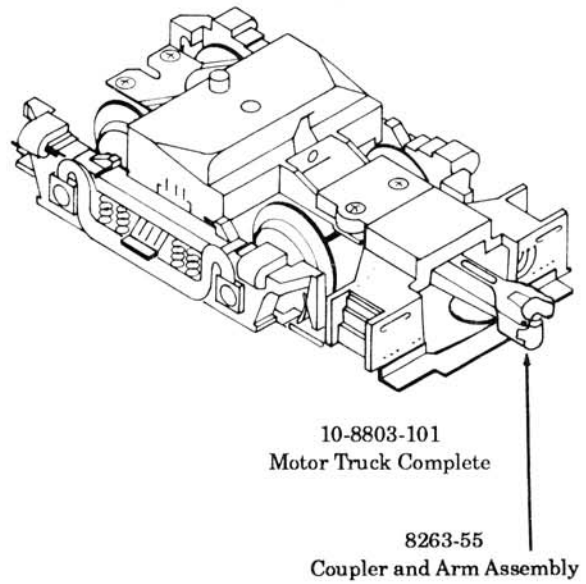
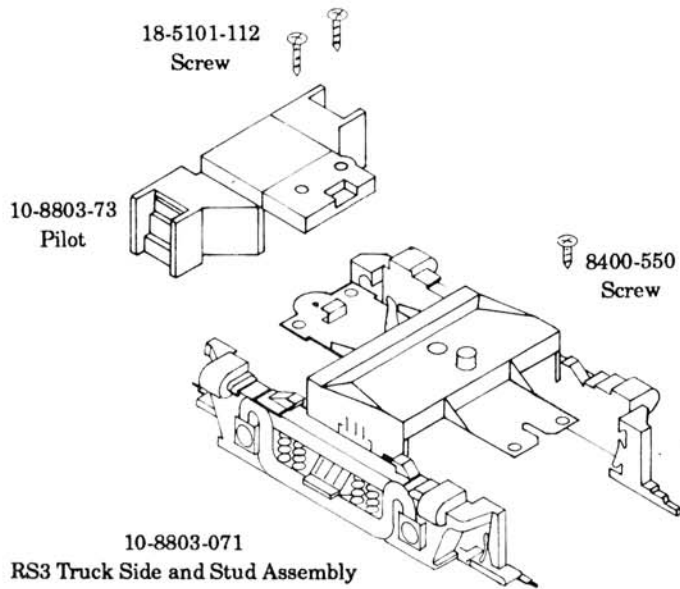
1-8803 Santa Fe

1-8804 Soo Line

1-8005 Union Pacific

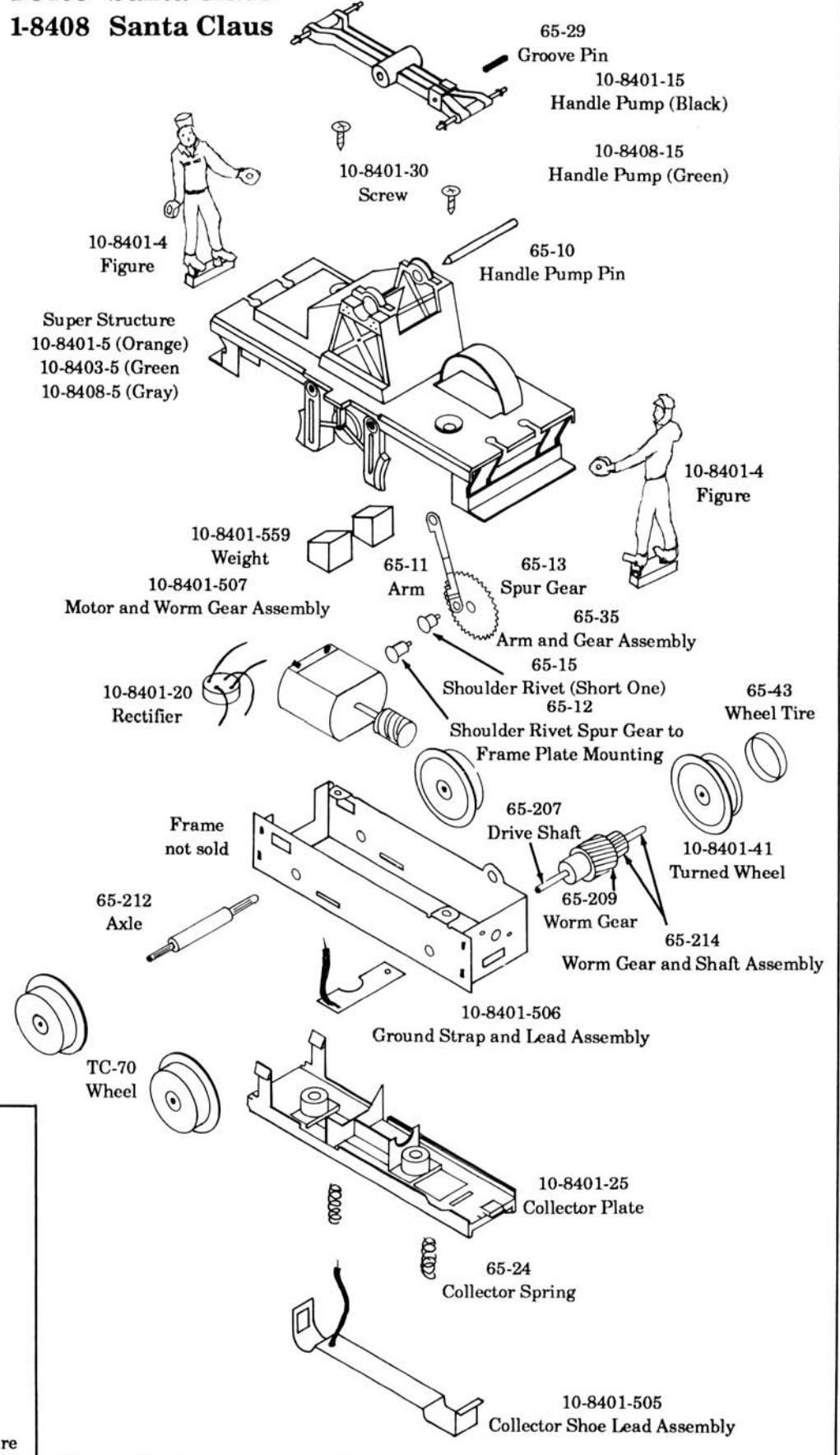
(Page 2 of 2)

NOTE: Rear truck and front truck assemblies are identical.



NOTE: Refer to drawing D-60 or 15-104 for further information.

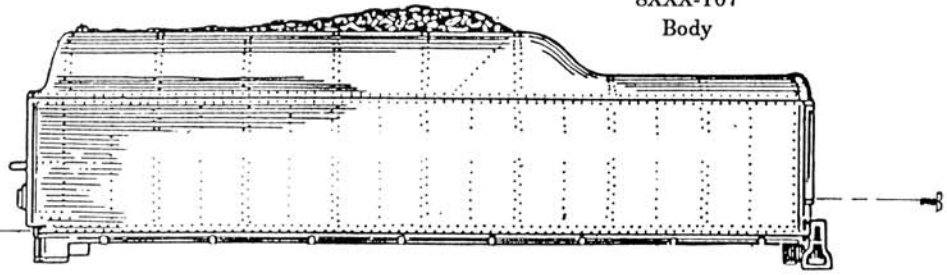
HANDCAR
1-8401 Lionel
1-8403 Santa Claus
1-8408 Santa Claus



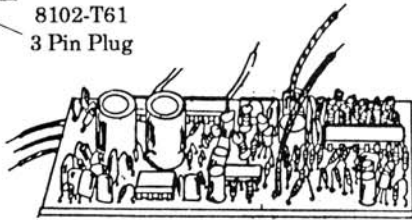
LARGE ROUND TOP TENDER with S.O.S. and Whistle 1-8004-T1

8XXX-T07
Body

8141-22
Screw



8102-T61
3 Pin Plug



8215-T15
Circuit Board

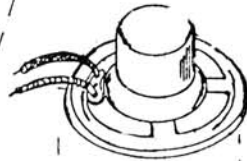
2671-W13
Water Scoop



8142-46
Screw

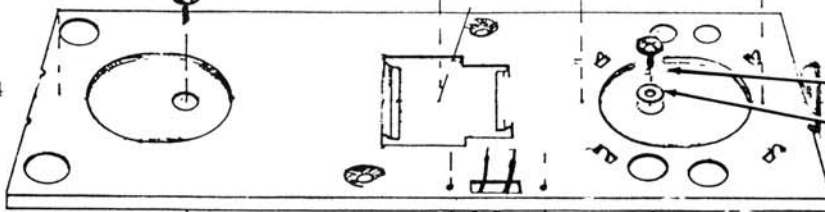


8708-55
Mounting Bracket
(whistle board)



8152-536
Speaker

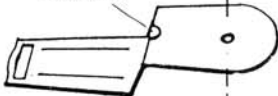
8002-T54
Frame



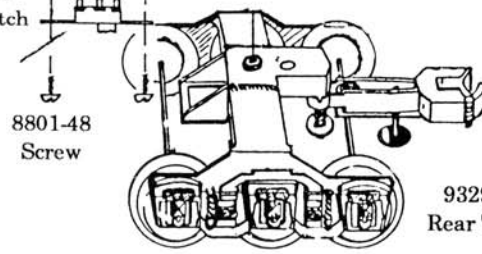
9805-35
Screw

9570-107
Washer Mount on Top

8002-T55
Drawbar

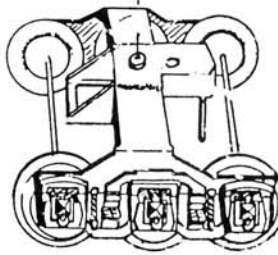


4060-45
Side Switch



8801-48
Screw

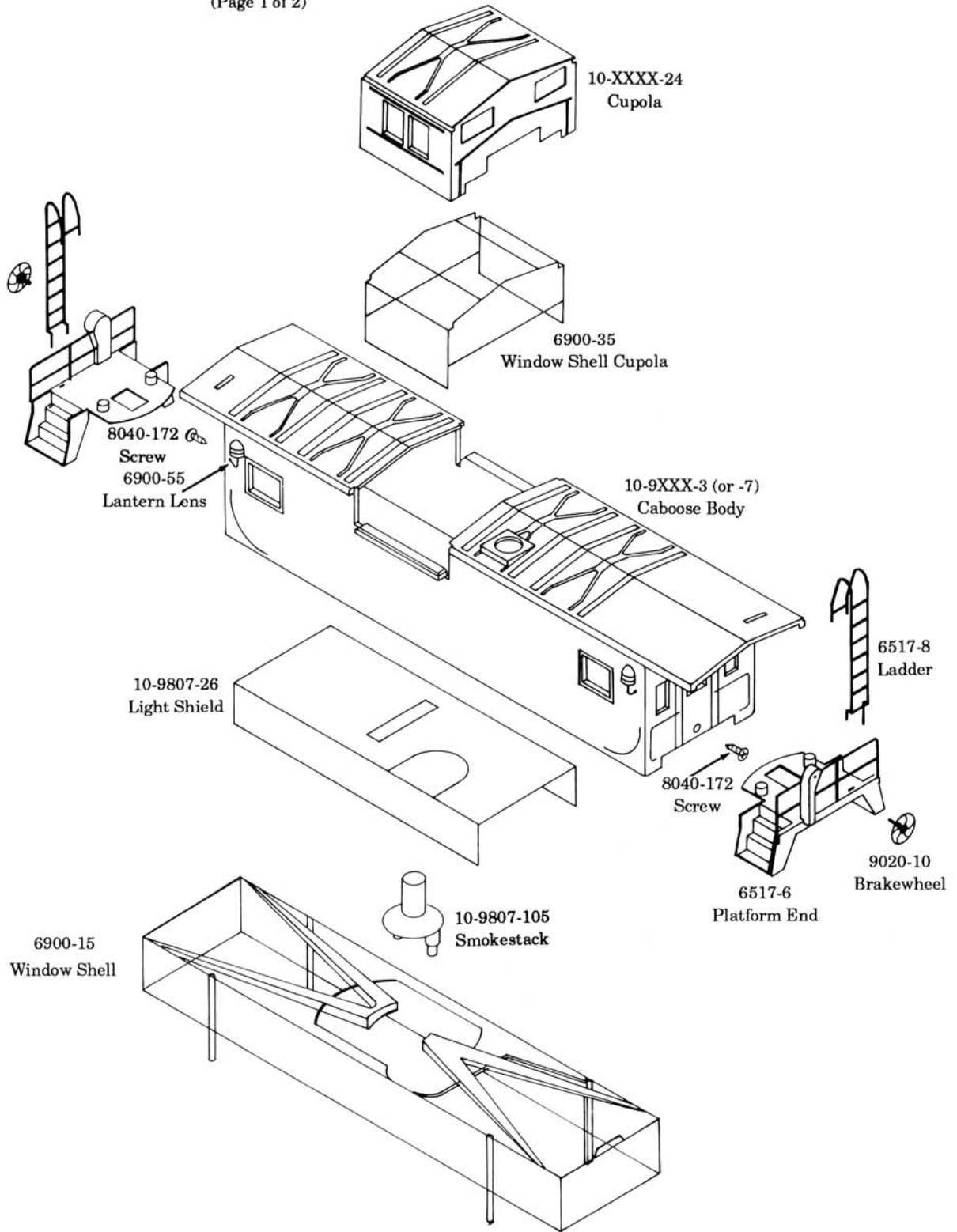
9329-50
Rear Truck



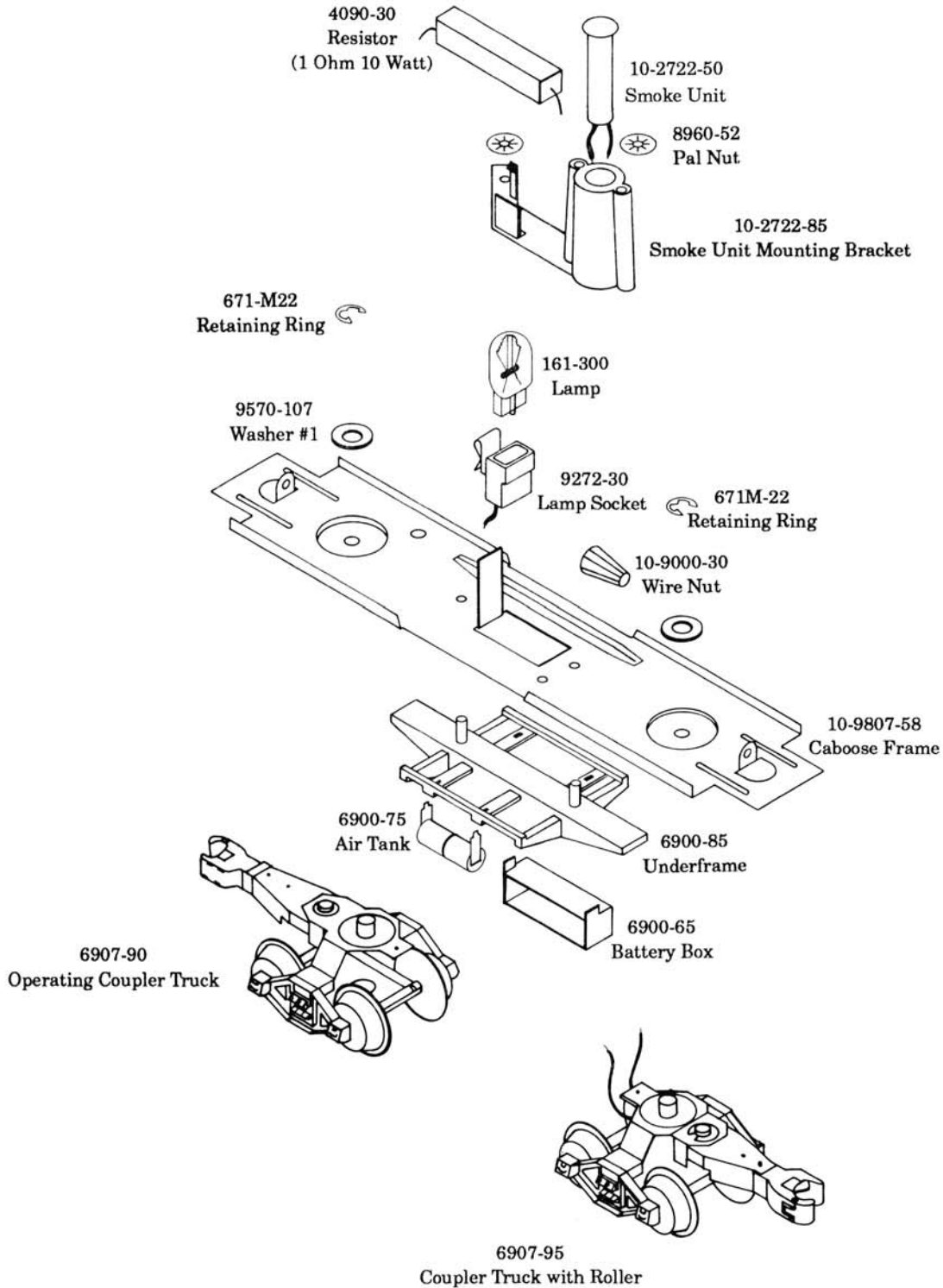
8215-T90
Front Truck

SMOKING CABOOSE
1-9704 Western Maryland
1-9705 Canadian Pacific
1-9706 Union Pacific
1-9807 Pennsylvania

(Page 1 of 2)



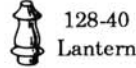
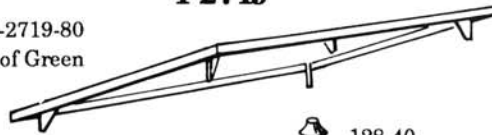
SMOKING CABOOSE
1-9704 Western Maryland
1-9705 Canadian Pacific
1-9706 Union Pacific
1-9807 Pennsylvania
 (Page 2 of 2)



REFRESHMENT STAND

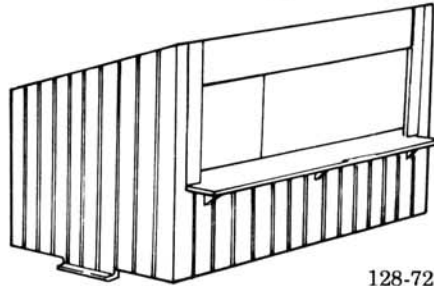
1-2719

10-2719-80
Roof Green

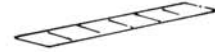


128-40
Lantern

10-2719-83
Refreshment Stand Building



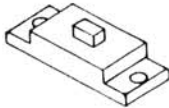
10-2719-37
Decal Checked



10-2719-38
Decal Refreshment Sign



5903-1
Slide Switch



128-76
Screw



128-72
Screw



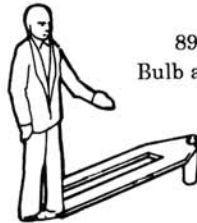
10-2719-255
Ice Cream Cone Assembly



8903-138
Bulb and Socket



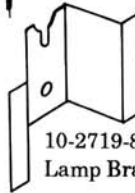
10-2719-52
Pivot Arm Assembly Man



10-2719-701
Motor and Gear Assembly



10-2719-85
Lamp Bracket



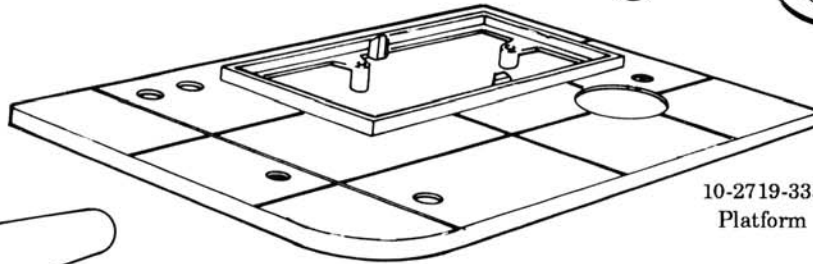
10-2719-214
Figure - Boy/Girl



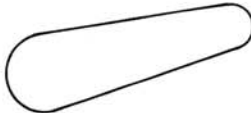
DIN4-001
Diode



10-2719-333
Platform



10-2719-104
Drive Belt



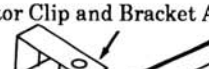
10-2719-22
Pulley and Drive Spring Assembly



10-2719-100
Pulley and Gear Assembly



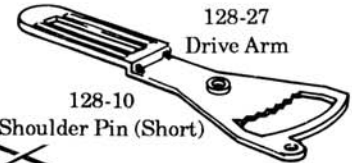
10-2719-200
Motor Clip and Bracket Assembly



671M-22
Retaining Clip



128-27
Drive Arm



5132-56
Terminal Nut

128-12
Binding Post

10-2719-13
Insulation

202-12
Washer

90-752M-58
Solder Lug

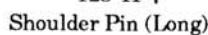
10-2719-31
Bearing

10-2719-5
Base Plate

2308-74
Pal Nut



128-11
Shoulder Pin (Long)



8265-752
Pal Nut



10-2719-30
Pinion Gear



81-32
Hook-Up Wire

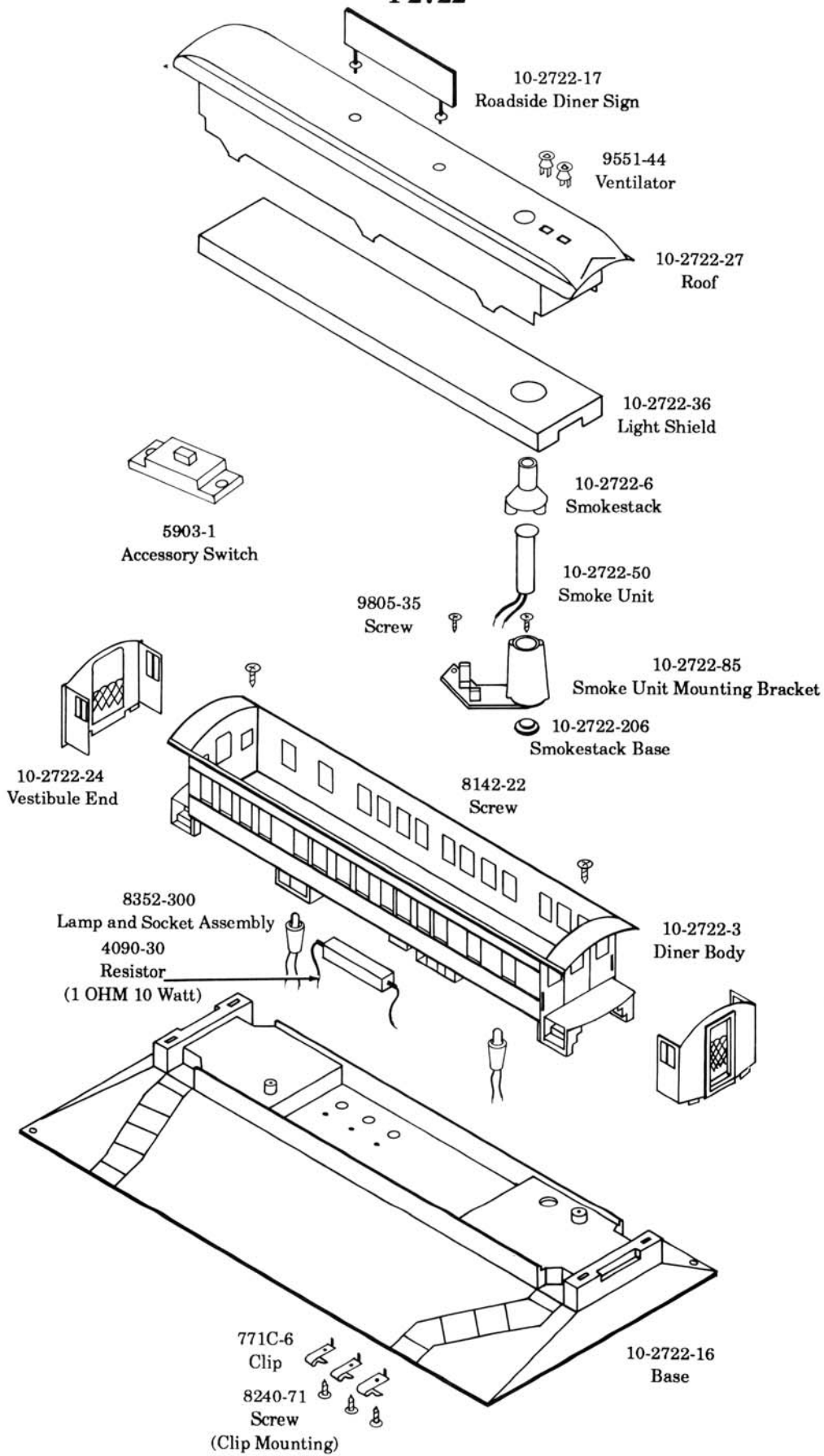


128-29
Drive Rack



ROADSIDE DINER

1-2722



LARGE SCALE 0-4-0 LOCOMOTIVES

8-5000 Rail Scope

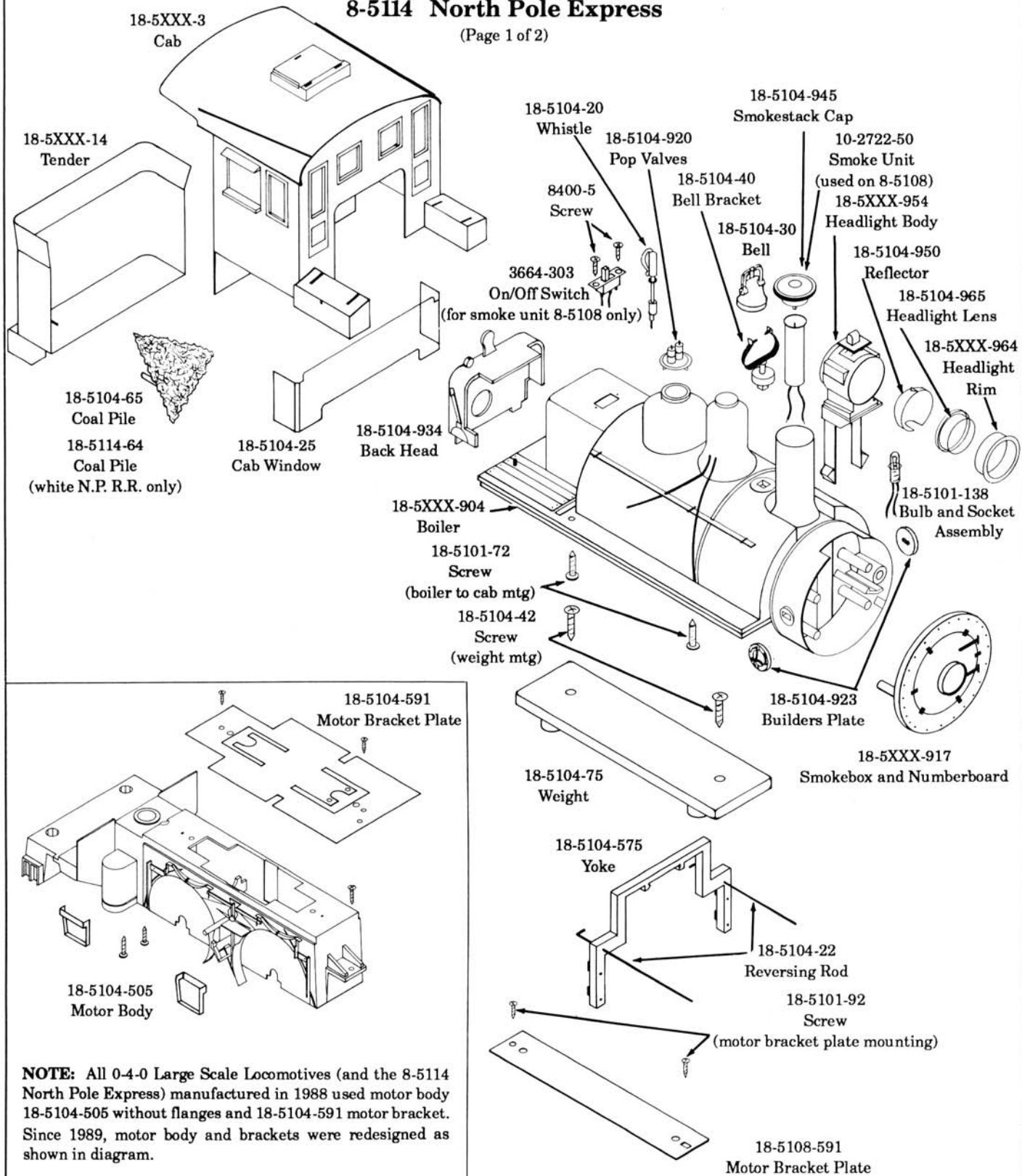
8-5104 Santa Fe

8-5105 Penn

8-5108 B & O

8-5114 North Pole Express

(Page 1 of 2)



NOTE: All 0-4-0 Large Scale Locomotives (and the 8-5114 North Pole Express) manufactured in 1988 used motor body 18-5104-505 without flanges and 18-5104-591 motor bracket. Since 1989, motor body and brackets were redesigned as shown in diagram.

LARGE SCALE 0-4-0 LOCOMOTIVES

8-5000 Rail Scope

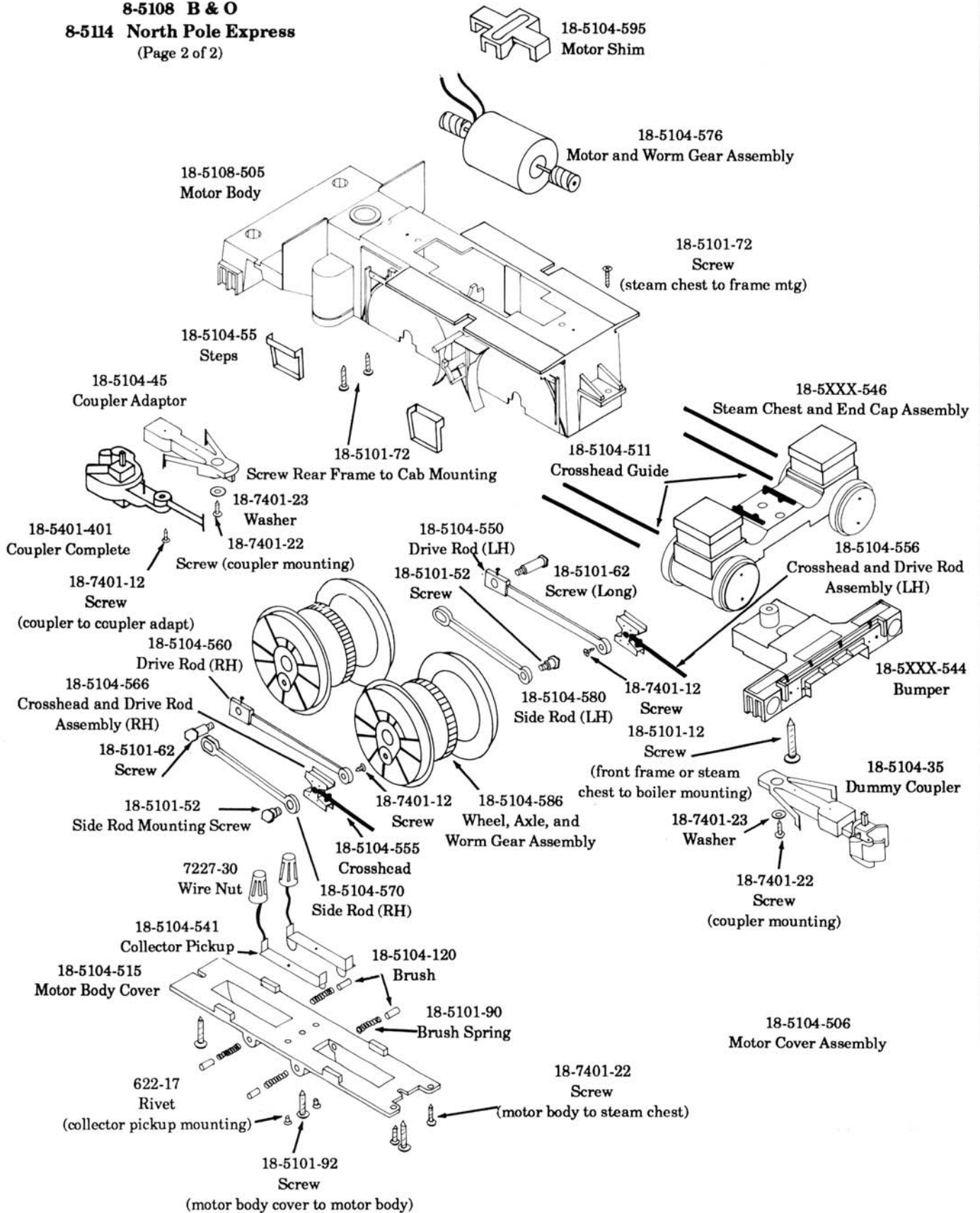
8-5104 Santa Fe

8-5105 Penn

8-5108 B & O

8-5114 North Pole Express

(Page 2 of 2)



LARGE SCALE 4-4-2 LOCOMOTIVES

8-5102 New York Central

8-5103 Santa Fe

8-5106 Chessie

8-5107 Great Northern

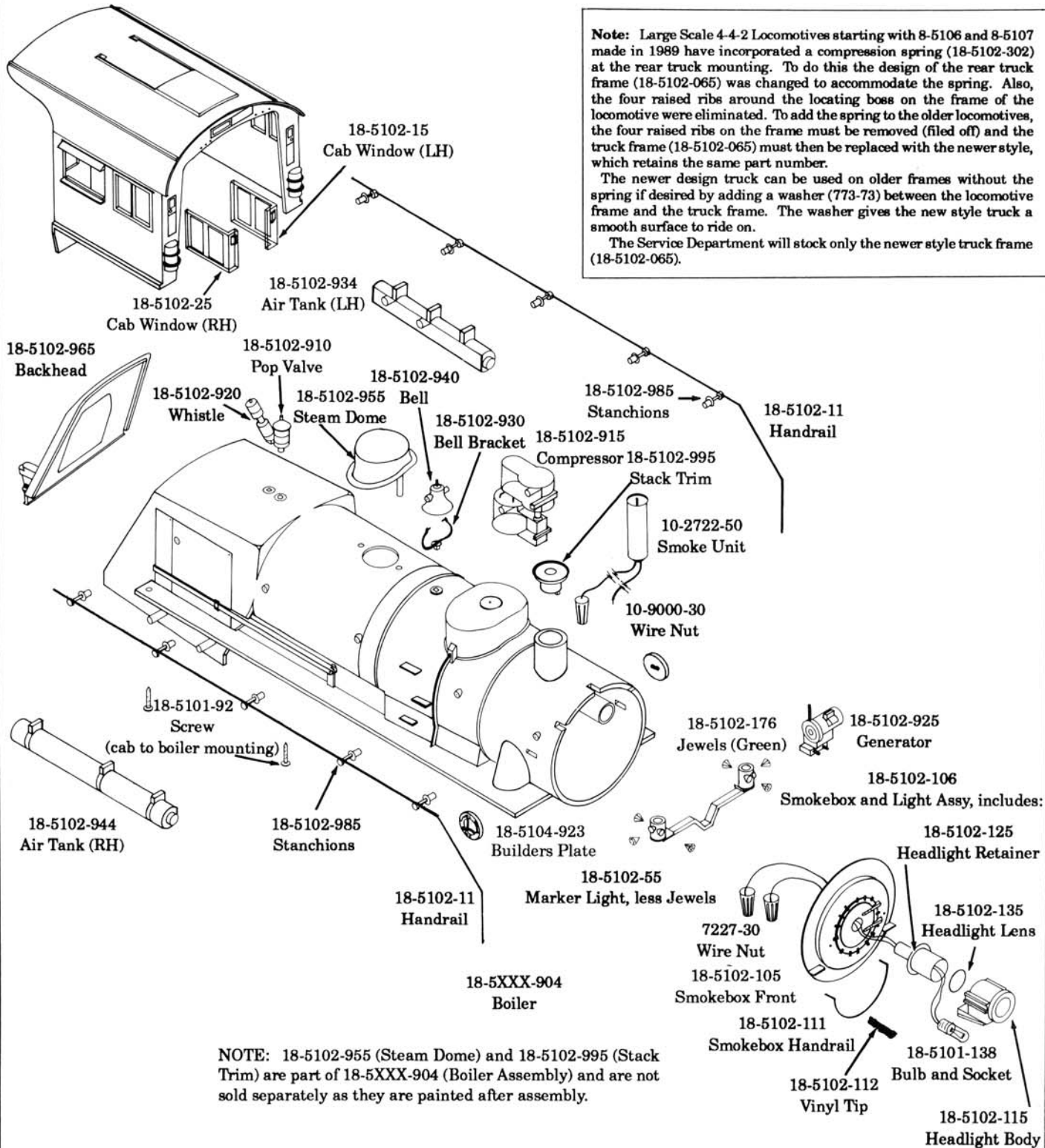
(Page 1 of 2)

18-5XXX-7
Cab

Note: Large Scale 4-4-2 Locomotives starting with 8-5106 and 8-5107 made in 1989 have incorporated a compression spring (18-5102-302) at the rear truck mounting. To do this the design of the rear truck frame (18-5102-065) was changed to accommodate the spring. Also, the four raised ribs around the locating boss on the frame of the locomotive were eliminated. To add the spring to the older locomotives, the four raised ribs on the frame must be removed (filed off) and the truck frame (18-5102-065) must then be replaced with the newer style, which retains the same part number.

The newer design truck can be used on older frames without the spring if desired by adding a washer (773-73) between the locomotive frame and the truck frame. The washer gives the new style truck a smooth surface to ride on.

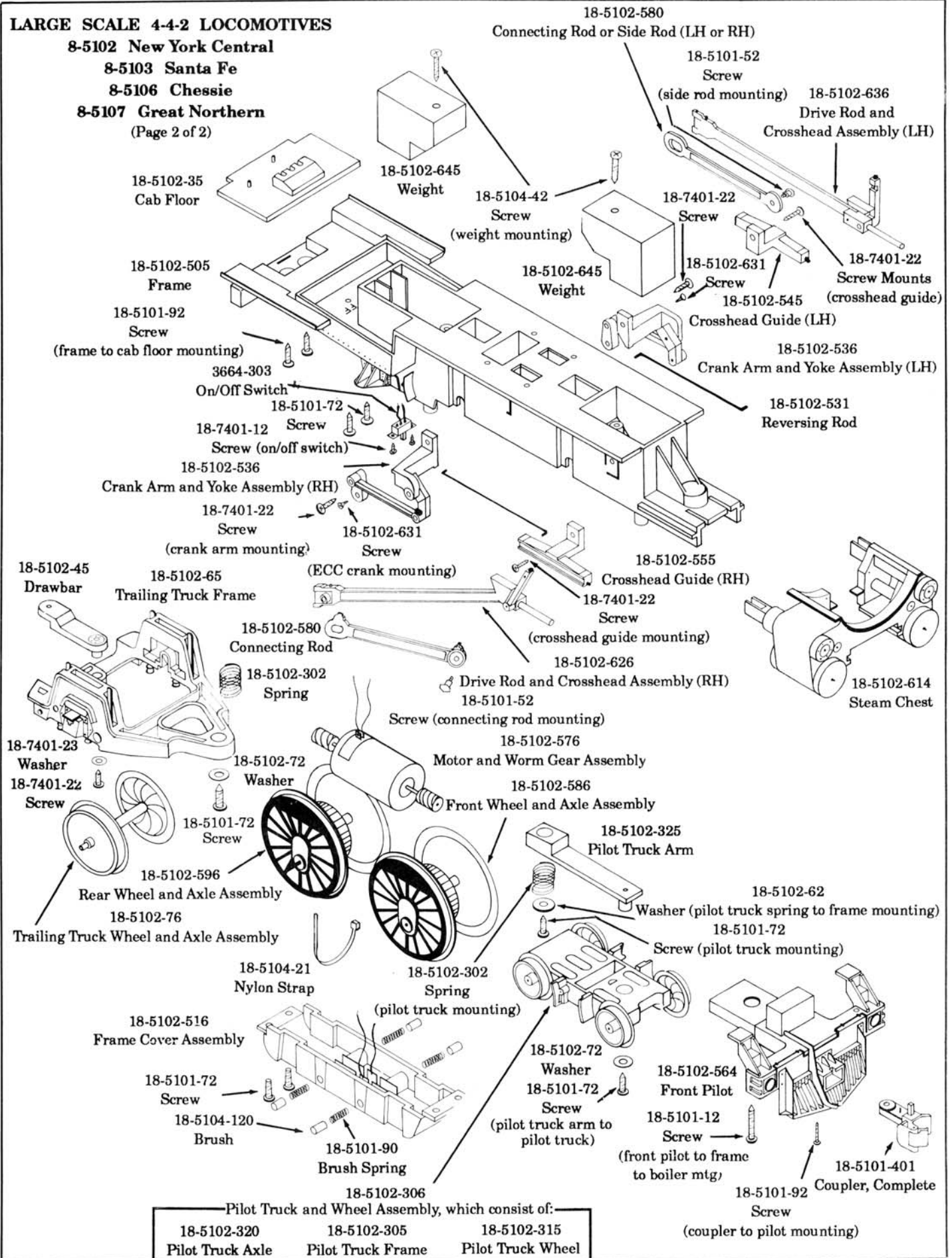
The Service Department will stock only the newer style truck frame (18-5102-065).



NOTE: 18-5102-955 (Steam Dome) and 18-5102-995 (Stack Trim) are part of 18-5XXX-904 (Boiler Assembly) and are not sold separately as they are painted after assembly.

LARGE SCALE 4-4-2 LOCOMOTIVES

- 8-5102 New York Central
 - 8-5103 Santa Fe
 - 8-5106 Chessie
 - 8-5107 Great Northern
- (Page 2 of 2)



LARGE SCALE 4-4-2 TENDER 18-5102-T01 New York Central

18-5107-T01 Great Northern

18-5103-T01 Santa Fe

18-5106-T01 Chessie

