



# PARTS LISTS AND EXPLODED DIAGRAMS

## SUPPLEMENT 15

*By Gary T. Svehar*

*Edited by Cindy Lee Floyd*

*with the assistance of Anthony Arpino, William Beatty, and I. D. Smith*

### Notice to the User

This supplement is designed to fit with two different publications, the *Lionel Service Manual* by Lionel Trains, Inc., and *Lionel Parts Lists and Exploded Diagrams* published by Greenberg Publishing Company, Inc. Each page has two page numbers. The number for the Lionel Service Manual is indicated by parentheses, e.g., (A-35). The number which applies to *Lionel Parts Lists and Exploded Diagrams* is above the parentheses, e.g., S15:1-4.

We recommend that readers with the *Lionel Service Manual* insert the pages according to the numbers in the parentheses. On the other hand, we recommend that readers with *Lionel Parts Lists and Exploded Diagrams* keep the pages as a set and insert them into a Supplement binder. Binders to match the 1970-1986 binder are available from Greenberg Publishing Company, Inc., for \$7.50 plus \$2.50 shipping and handling. A comprehensive index to the *Lionel Parts Lists and Exploded Diagrams* will be issued periodically, and will take the place of the index at the front of the original 1970-1986 manual.

**Authorized by Lionel® Trains, Inc.**

**Published by Greenberg® Publishing Company, Inc.**

Copyright © 1990 by Lionel Trains, Inc.

All rights reserved.

Reproduction of the whole or any part of the contents  
without written permission is prohibited.

Manufactured in the United States of America.

Published by Greenberg Publishing Company, Inc.

7566 Main Street  
Sykesville, MD 21784  
(301) 795-7447

All rights reserved. No part of this book may be reproduced in any form or by any means including electronic, photocopying, recording, or by any information storage system, without written permission of the publisher, except in the case of brief quotations embodied in critical articles and reviews.

Greenberg Publishing Company, Inc. offers the world's largest selection of Lionel, American Flyer, LGB, Marx, Ives, and other toy train publications, as well as a selection of books on model and prototype railroading, dollhouse building, and collectible toys.

Greenberg Shows, Inc. sponsors the world's largest public model train, dollhouse, and toy shows. The shows feature extravagant operating train layouts in O, Standard, and 1 Gauges; HO, N, and Z Scales; and displays of magnificent dollhouses. Huge marketplaces at each location offer model and toy trains, layout accessories, and railroading, in addition to a large selection of miniatures and dollhouse building materials and collectible toys. Shows are currently offered in metropolitan Baltimore; Boston; Ft. Lauderdale; Cherry Hill, New Jersey; Long Island, New York; Norfolk; Philadelphia; Pittsburgh; and Tampa.

For a complete listing of Greenberg publications and a current show schedule, please send a large, self-addressed, stamped envelope to Greenberg Publishing Company, Inc. at the above address.

ISBN 0-89778-169-4

# INDEX TO LIONEL PARTS LISTS AND EXPLODED DIAGRAMS SUPPLEMENT 15

---

## ALPHABETICAL INDEX

### O AND O27 GAUGES

#### Diesel Engines and Electrics

SD-18 S15:1-1, 2  
1-8806 1-8808  
1-8810 1-8813

#### Steam Locomotives

2-6-4 Steam Locomotive S15:3-1, 2  
1-8606 1-8607 1-8608  
1-8609 1-8611

B-6 0-6-0 Switcher S15:3-3, 4, 5  
1-8000-001

### Tenders

B-6 0-6-0 Switcher Tender S15:4-1  
91-8000-T01

Tender S15:4-2  
91-8606-T01 91-8607-T01  
91-8608-T01 91-8609-T01  
91-8611-T01

### Operating Cars

Extension Searchlight Car S15:11-1  
1-6615 1-6625

### Accessories

Intermodal Crane S15:14-1, 2, 3, 4, 5  
1-2741 1-2781

# NUMERICAL LISTING

1-2741	S15:14-1, 2, 3, 4, 5	1-8806	S15:1-1, 2
1-2781	S15:14-1, 2, 3, 4	1-8808	S15:1-1, 2
1-6615	S15:11-1	1-8810	S15:1-1, 2
1-6625	S15:11-1	1-8813	S15:1-1, 2
1-8000-001	S15-3-3, 4, 5	91-8000-T01	S15:4-1
1-8606	S15:3-1, 2	91-8606-T01	S15:4-2
1-8607	S15:3-1, 2	91-8607-T01	S15:4-2
1-8608	S15:3-1, 2	91-8608-T01	S15:4-2
1-8609	S15:3-1, 2	91-8609-T01	S15:4-2
1-8611	S15:3-1, 2	91-8611-T01	S15:4-2

# LIONEL SERVICE MANUAL

## BY LIONEL SERVICE

Description	Drawing
<b>Steam Locomotives:</b>	
B-6 0-6-0 Switcher: . . . . . 1-8000-001	(AA-41), (AA-41-2), (AA-41-3)
2-6-4 Steam Locomotive: . . . . . 1-8606 1-8607 1-8608 1-8609 1-8611	(AA-42), (AA-42-2)
<b>Diesel Engines and Electrics:</b>	
SD-18 Diesels . . . . . 1-8806 1-8808 1-8810 1-8813	(BB-36-1), (BB-36-2)
<b>Tenders:</b>	
B-6 0-6-0 Switcher Tender . . . . . 91-8000-T01	(CC-23)
Tender . . . . . 91-8606-T01 91-8607-T01 91-8608-T01 91-8609-T01 91-8611-T01	(CC-24)
<b>Operating Cars:</b>	
Extension Searchlight Car . . . . . 1-6615 1-6625	(FF-81)
<b>Accessories:</b>	
Intermodal Crane . . . . . . . . . . 1-2741 1-2781	(I-41), (I-41-2), (I-41-3), (I-41-4), (I-41-5)

# DIESEL LOCOMOTIVE (Can Motor Type)

1- 8806 New Haven

1-8808 Atlantic Coast Line

1-8810 CSX

1-8813 Duluth, Missabe and  
Iron Range(D.M. & I.R.)

(Page 1 of 2)

10-8810-7

SD-18 CSX Cab

10-8813-7

Cab, D.M. & I.R.

7227-30  
Wire Nut

18-5101-502  
Motor and Worm  
Gear Assembly

10-8301-55  
Cable Tie

8152-50  
Horn Circuit Board

8205-T50  
Screw

8506-55  
Long Screw

103-1  
E-Unit (electronic)

8477-85  
Circuit Board Mounting Bracket

8855-56  
Spring  
601-131  
Cup Washer

10-8806-58  
Frame Assembly (Black)

10-8810-58  
Frame (Gray)

10-8808-58  
Frame (Yellow)

10-8813-57  
Frame (with stripes)

10-8813-57  
Frame (with stripes)

8851-40  
Screw

8477-6  
Grab-Handle

8071-30  
Eyelet  
(cab mounting)

10-8808-17  
Lens

10-8813-27  
Lens

2328-10  
Marker Light and Headlight Lens

8265-55  
Rear Light Retainer

8352-300  
Lamp and Socket Assembly

8360-56  
Window Shell

8352-300  
Lamp and Socket Assembly  
(lamp only 8352-310)  
Two used on 1-8808 and 1-8810

671M-22  
Retaining Clip

10-8810-45  
E-Unit Mounting Bracket

600-133  
Speed Nut

8855-56  
Spring

8010-35  
Screw (E-Unit bracket mounting)

3664-303  
Miniature Switch

8400-5  
Screw  
(switch mounting)

10-8810-85  
Under Frame (Blue)

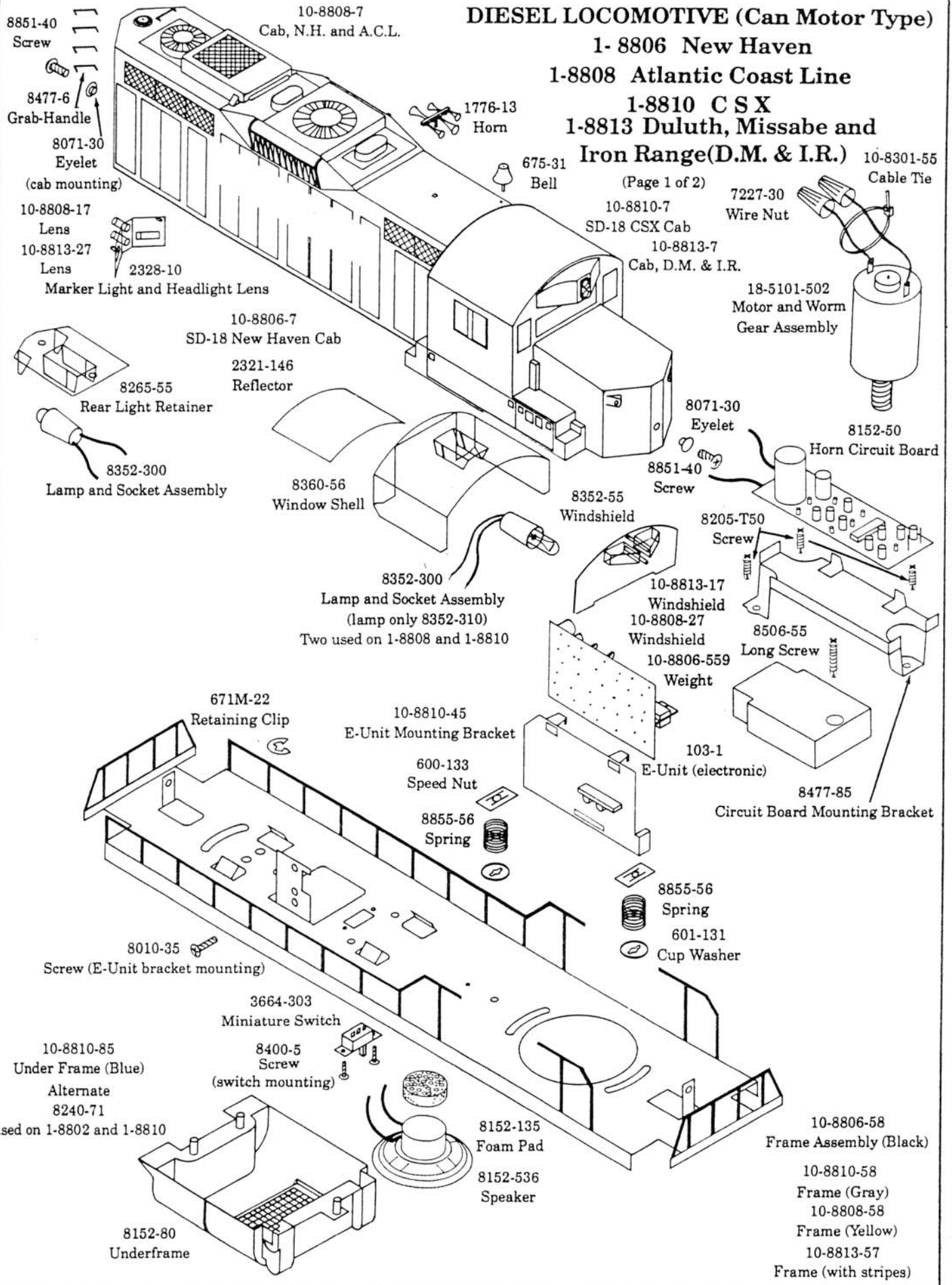
Alternate  
8240-71

used on 1-8802 and 1-8810

8152-80  
Underframe

8152-135  
Foam Pad

8152-536  
Speaker



**DIESEL LOCOMOTIVE SD-18 (Can Motor Type)**

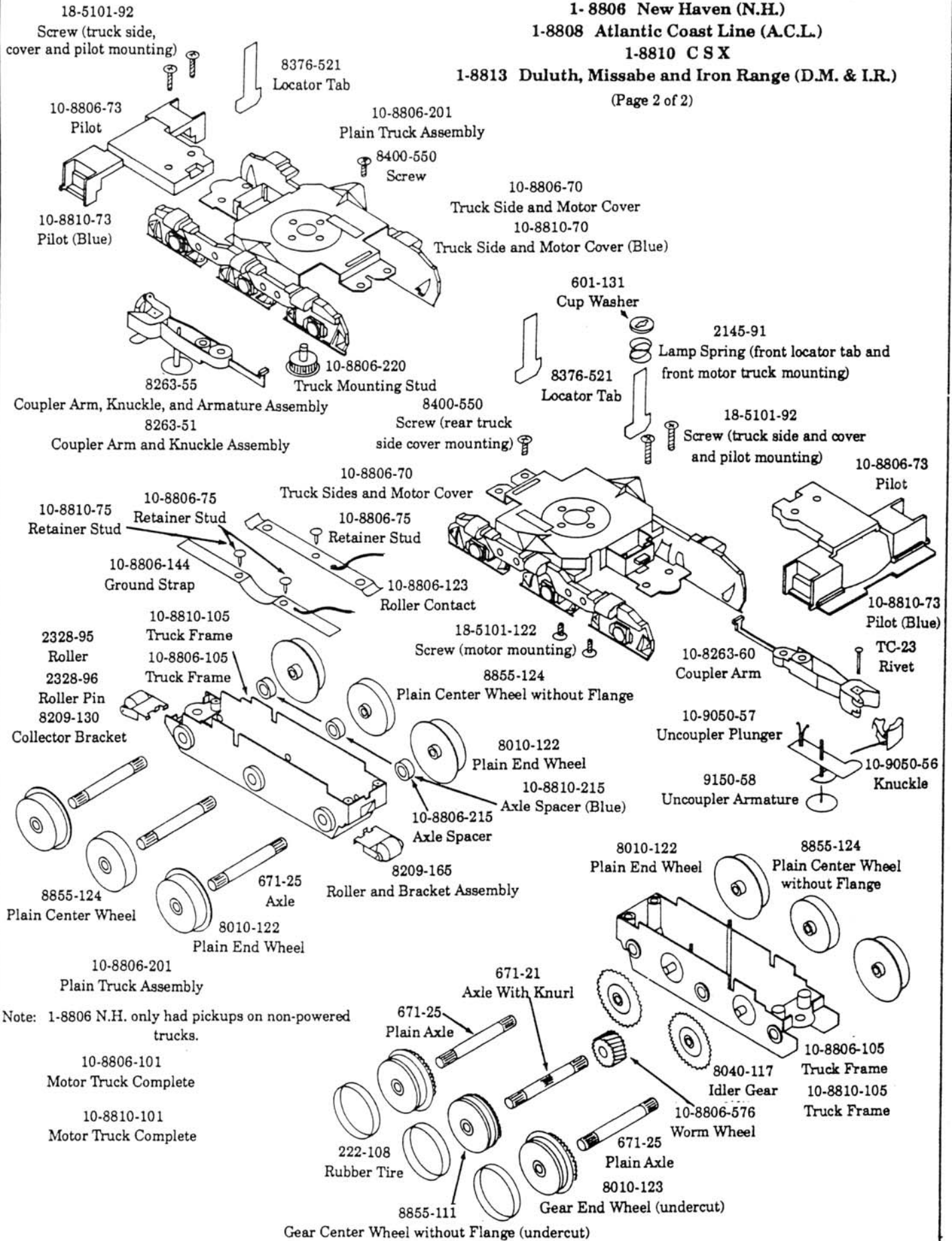
**1-8806 New Haven (N.H.)**

**1-8808 Atlantic Coast Line (A.C.L.)**

**1-8810 C S X**

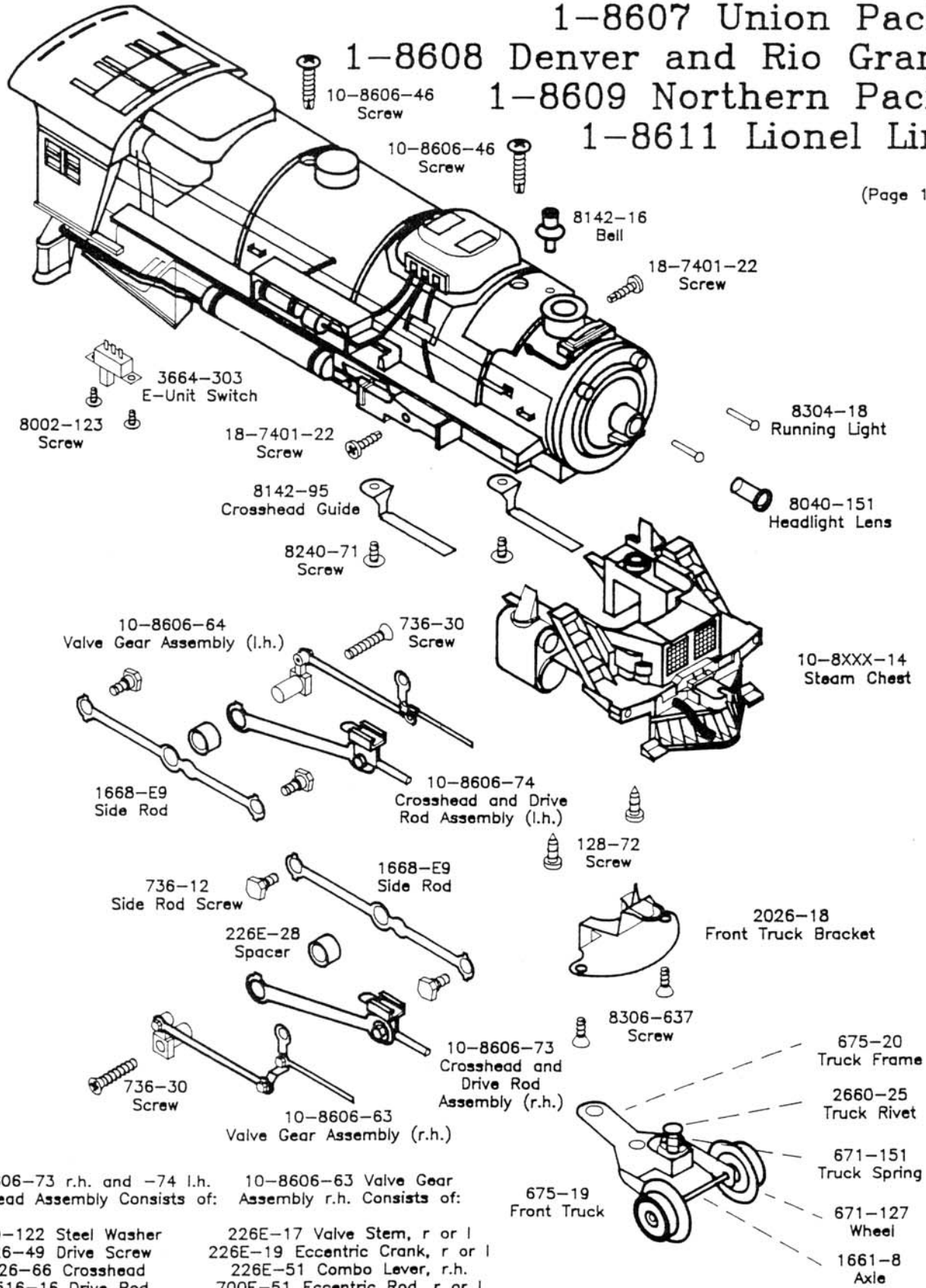
**1-8813 Duluth, Missabe and Iron Range (D.M. & I.R.)**

(Page 2 of 2)



2-6-4 STEAM LOCOMOTIVE  
 1-8606 New York Central  
 1-8607 Union Pacific  
 1-8608 Denver and Rio Grande  
 1-8609 Northern Pacific  
 1-8611 Lionel Lines

(Page 1 of 2)



10-8606-73 r.h. and -74 l.h. Crosshead Assembly Consists of:

- 350-122 Steel Washer
- 726-49 Drive Screw
- 726-66 Crosshead
- 8516-16 Drive Rod

10-8606-63 Valve Gear Assembly r.h. Consists of:

- 226E-17 Valve Stem, r or l
- 226E-19 Eccentric Crank, r or l
- 226E-51 Combo Lever, r.h.
- 700E-51 Eccentric Rod, r or l
- 700E-53 Eccentric Rivet, r or l
- 700E-54 Eccentric Rod Rivet, r or l
- 700E-55 Valve Stem Rivet, r or l

10-8606-64 Valve Gear Assembly l.h. is identical Except For 226E-51 Which is 226E-13 Combo Lever, l.h.



# 2-6-4 STEAM LOCOMOTIVE

1-8606 New York Central  
 1-8607 Union Pacific  
 1-8608 Denver And Rio Grande  
 1-8609 Northern Pacific  
 1-8611 Lionel Lines

10-8611-192  
 Motor Insulator

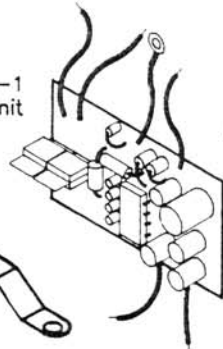
7227-30  
 Wire Nut



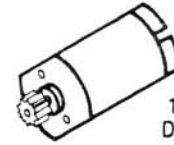
10-8611-192  
 Motor Insulator  
 (1989 only)



103-1  
 E-Unit

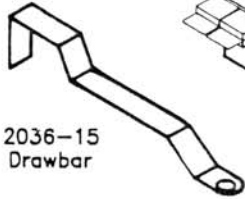


10-8301-55  
 Cable Tie

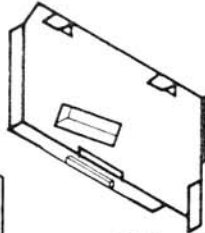


10-8606-103  
 D.C. Motor and  
 Pinion Assy.

2036-15  
 Drawbar



8616-55  
 E-Unit  
 Mounting Bracket



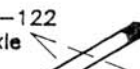
10-8606-125  
 Plain End Wheel



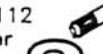
2036-137  
 Plain Center Wheel



2026-122  
 Axle



2026-112  
 Spacer



8516-120  
 Swedged Axle

8516-52  
 Smoke Cam

18-5102-62  
 Washer

10-8606-501 Motor Body  
 Consists Of:  
 10-8606-505 Roller Contact Bracket  
 10-8606-515 Smoke Lever  
 2036-103 Axle Bearing (r.h.)  
 2036-107 Axle Bearing (l.h.)

1120-10  
 Rivet

671-151  
 Truck Spring

2036-16  
 Truck Frame

8040-11  
 Rear Wheel

1862-8  
 Front Wheel

1661-8  
 Axle

10-8606-40  
 Trailing Truck Assembly

2036-22  
 Screw

2035-135  
 Gear Stud  
 With Shoulder

262E-13  
 Gear Stud

18-7401-22  
 Screw

8101-T30  
 Washer

10-8606-124  
 Gear End Wheel  
 Undercut

8600-143  
 Second  
 Intermediate  
 Gear

8600-52  
 Screw

8600-119  
 Compound Gear

8040-118  
 Cluster Gear

18-7401-22  
 Screw

8516-9  
 Grain Of  
 Wheat Bulb

8600-52  
 Screw

10-8606-105  
 Gear Retainer

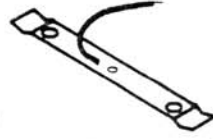
8516-50  
 Smoke Unit Assembly

242-206  
 Rubber Tire

10-8606-123  
 Gear End Wheel

10-8606-515  
 Smoke Lever

8516-57  
 Piston Return Spring



8403-130  
 Roller Contact

10-8606-133  
 Gear Center Wheel

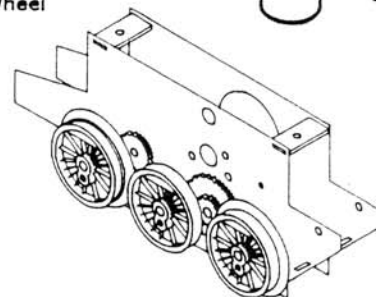
8516-55  
 Smoke Unit Piston



8209-165  
 Roller Bracket Assembly



10-8606-500  
 Motor Frame  
 and  
 Wheel Assembly

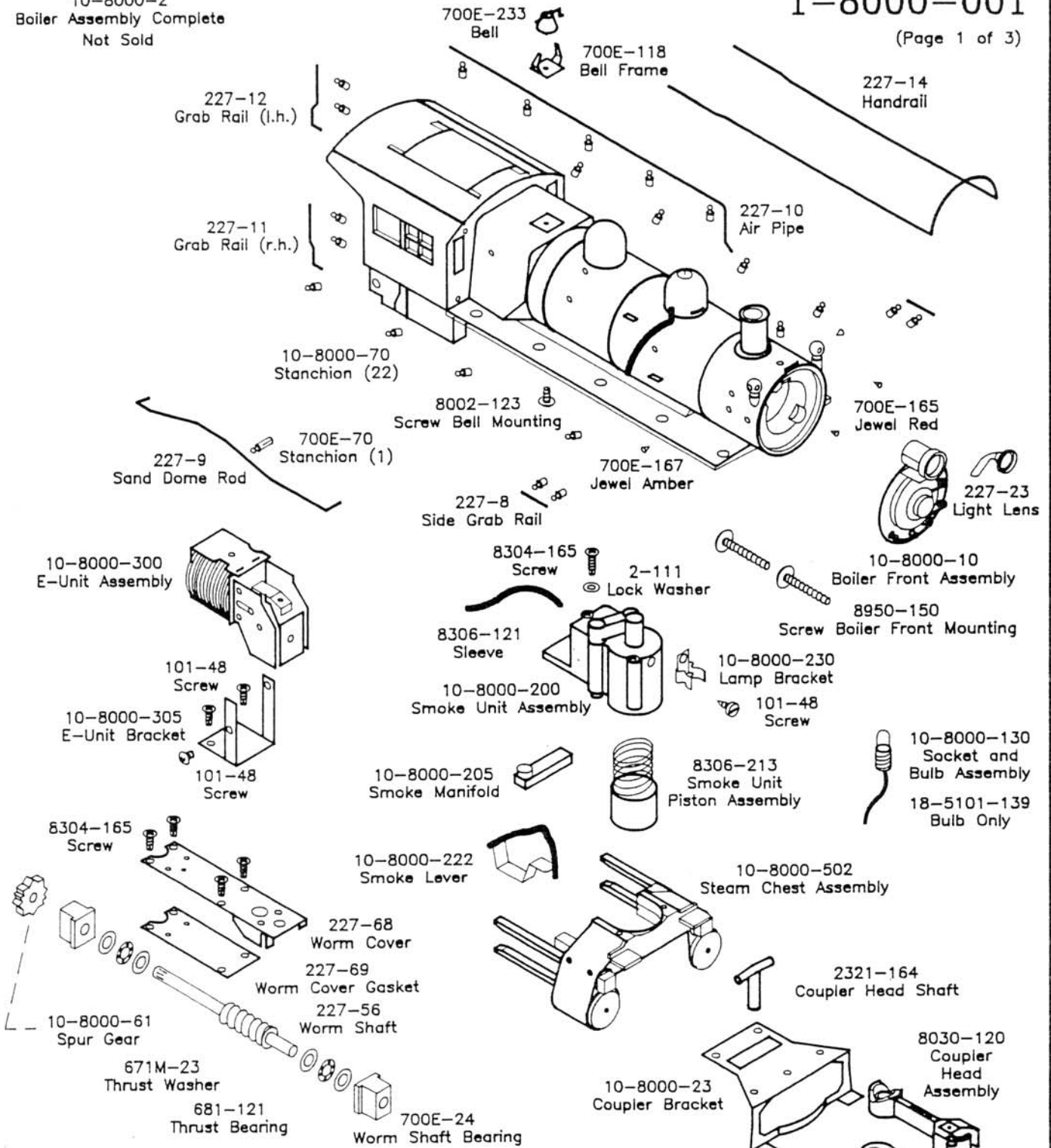


# B-6 SWITCHER

## 1-8000-001

(Page 1 of 3)

10-8000-2  
Boiler Assembly Complete  
Not Sold



**Boiler Front Assy. Consists Of:**

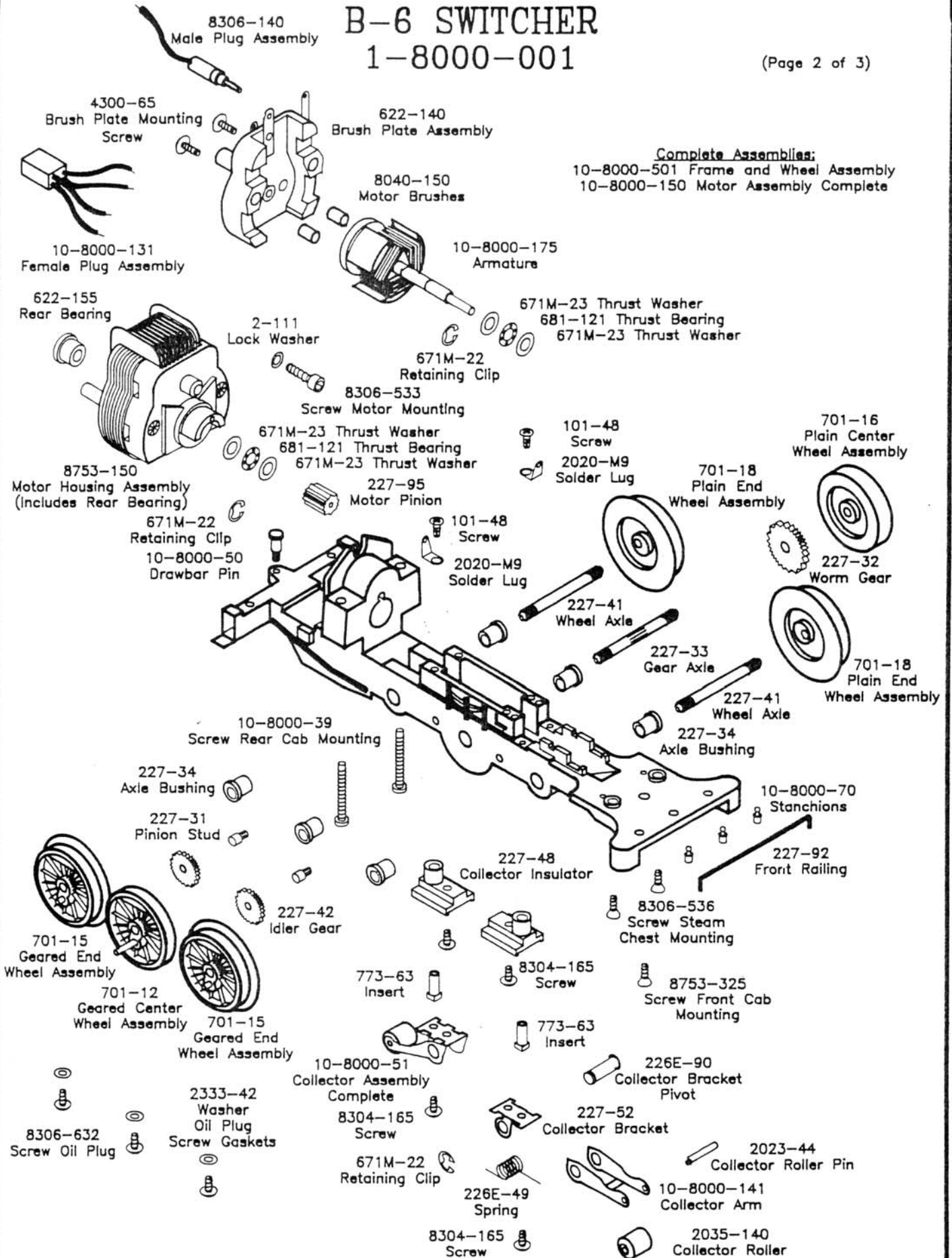
- 227-23 Light Lens
- 227-24 Front Rail
- 1615-62 Rivets
- 10-8000-14 Boiler Front Rim
- 10-8000-22 Smokebox Door
- 10-8000-55 Number Rivet
- 10-8000-70 Stanchions
- 700E-17 Smokebox Catch

- 671M-23 Washer
- 1615-93 Spring
- 8250-35 Fiber Washer
- 671M-22 Retaining Clip
- 8304-165 Screw

# B-6 SWITCHER

## 1-8000-001

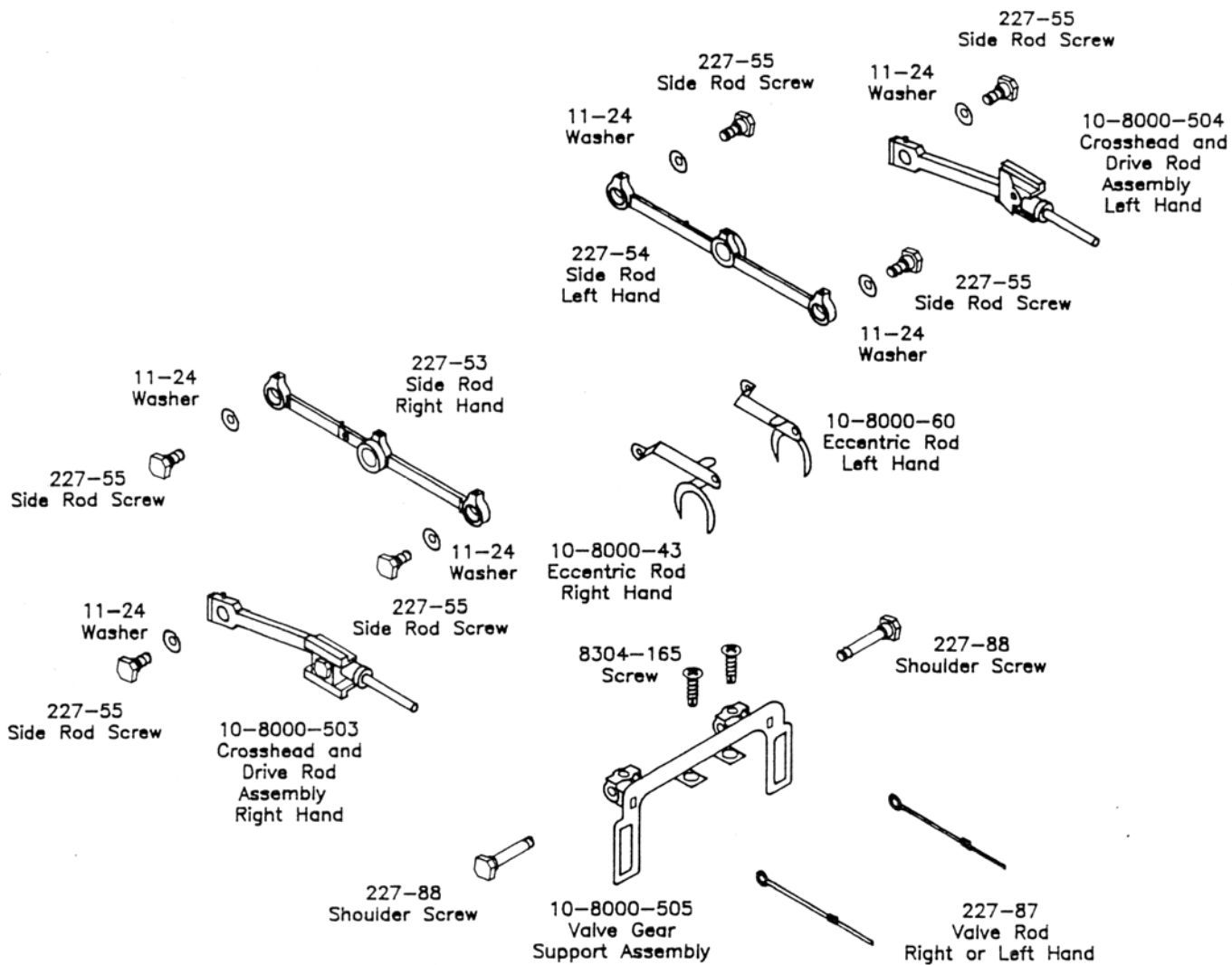
(Page 2 of 3)



# B-6 SWITCHER

## 1-8000-001

(Page 3 of 3)




10-8000-503 Crosshead and Drive Rod Assembly Right Hand  
Consists of:

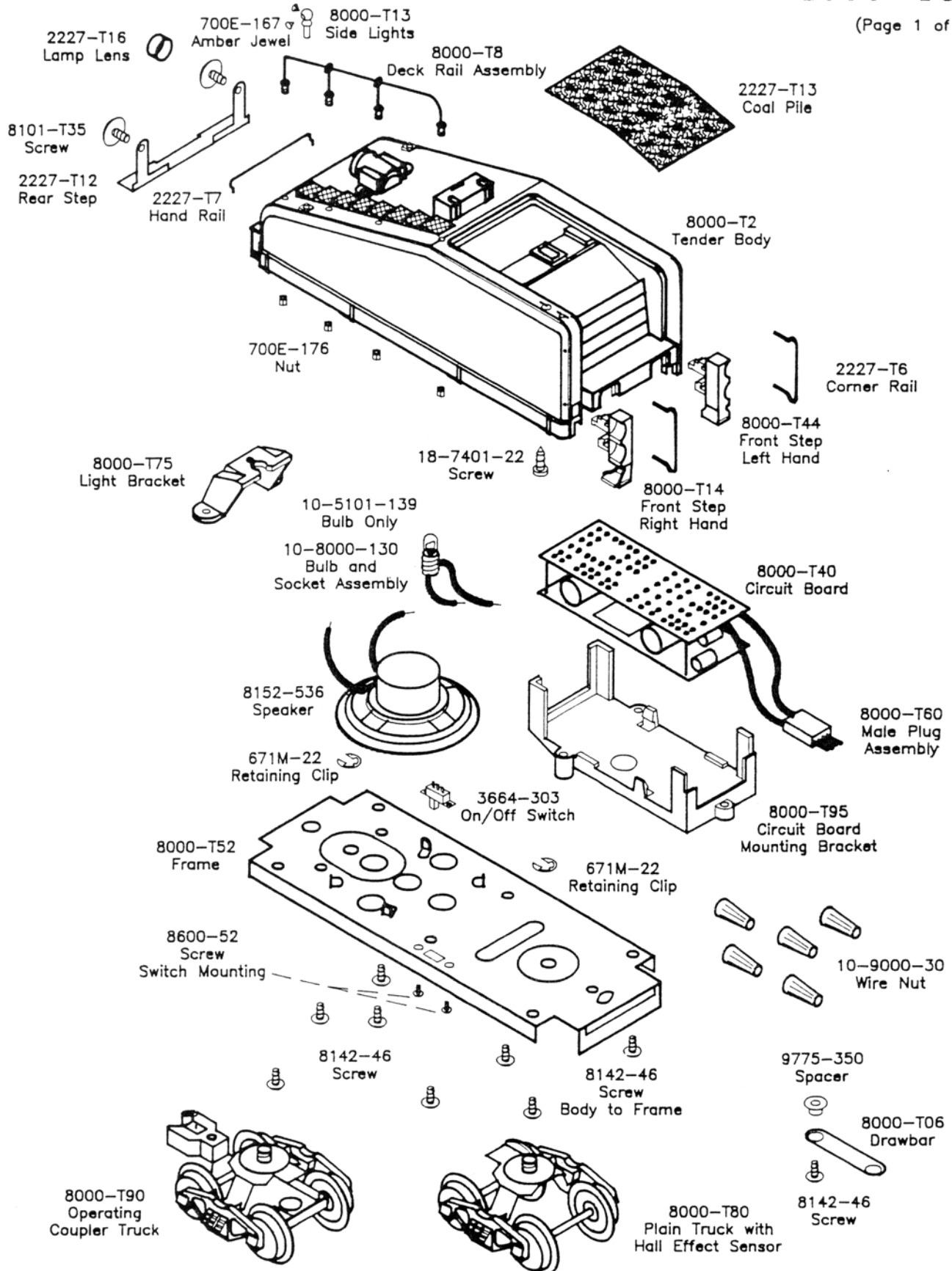
773-48 Shoulder Screw  
700E-239 Crosshead Assembly  
10-8000-170 Drive Rod Right Hand

10-8000-504 Crosshead and Drive Rod Assembly Left Hand  
Consists of:

773-48 Shoulder Screw  
773-51 Crosshead Assembly  
10-8000-171 Drive Rod Left Hand

700E-165 Red Jewel  **B-6 0-6-0 SWITCHER TENDER**  
**91-8000-T01**

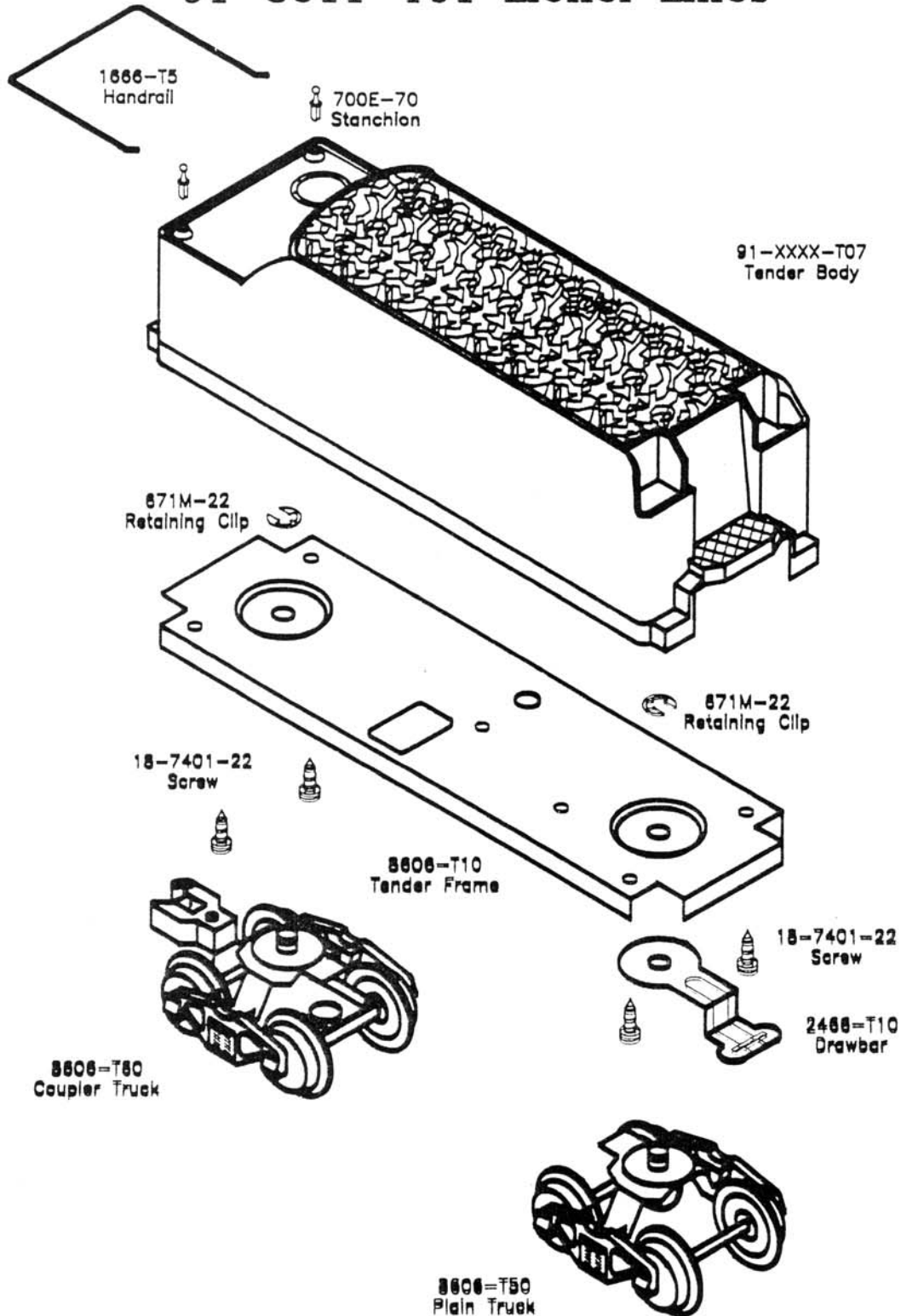
(Page 1 of 1)



# TENDER

(Page 1 of 1)

91-8606-T01 New York Central  
91-8607-T01 Union Pacific  
91-8608-T01 Denver And Rio Grande  
91-8609-T01 Northern Pacific  
91-8611-T01 Lionel Lines



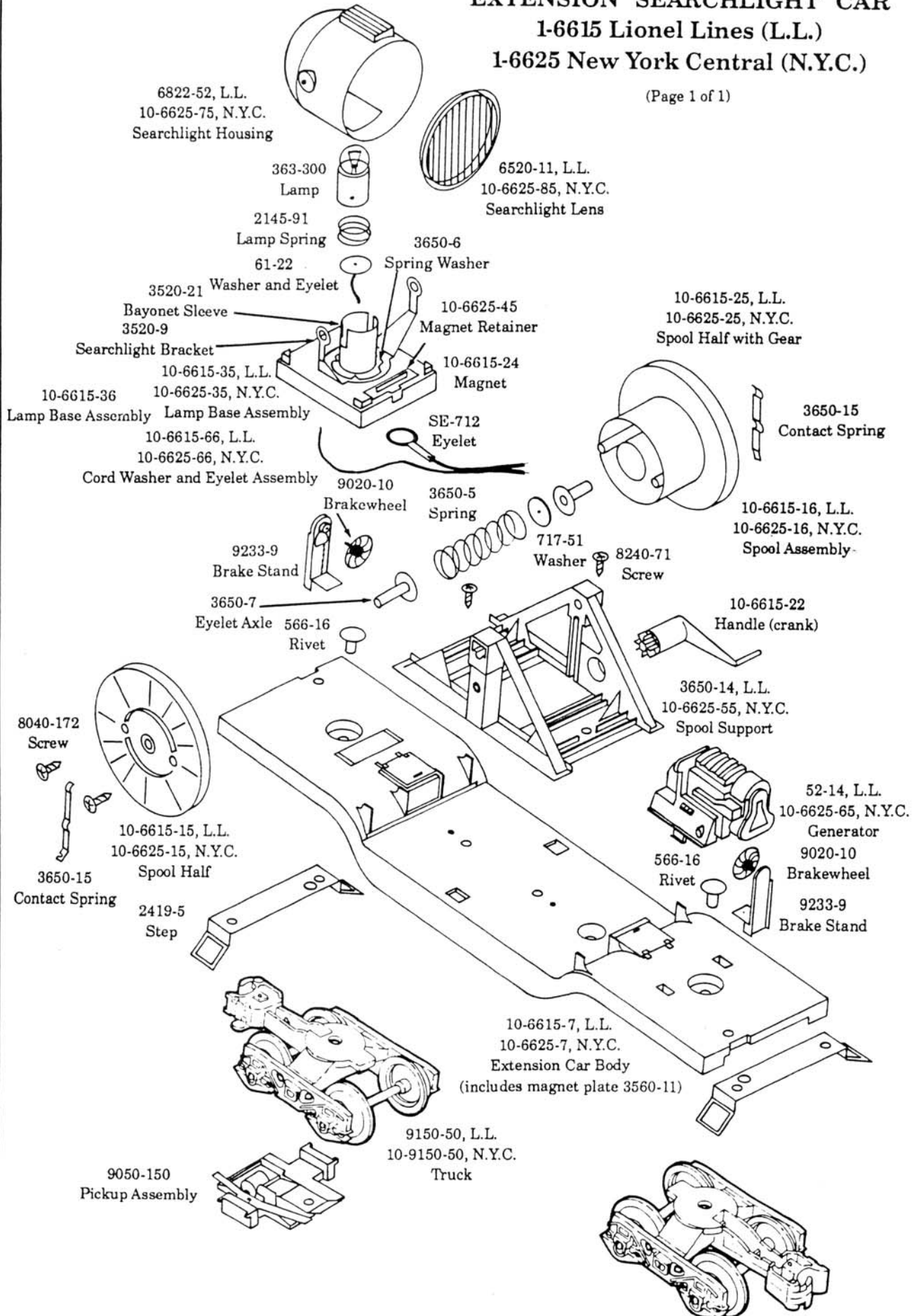


# EXTENSION SEARCHLIGHT CAR

1-6615 Lionel Lines (L.L.)

1-6625 New York Central (N.Y.C.)

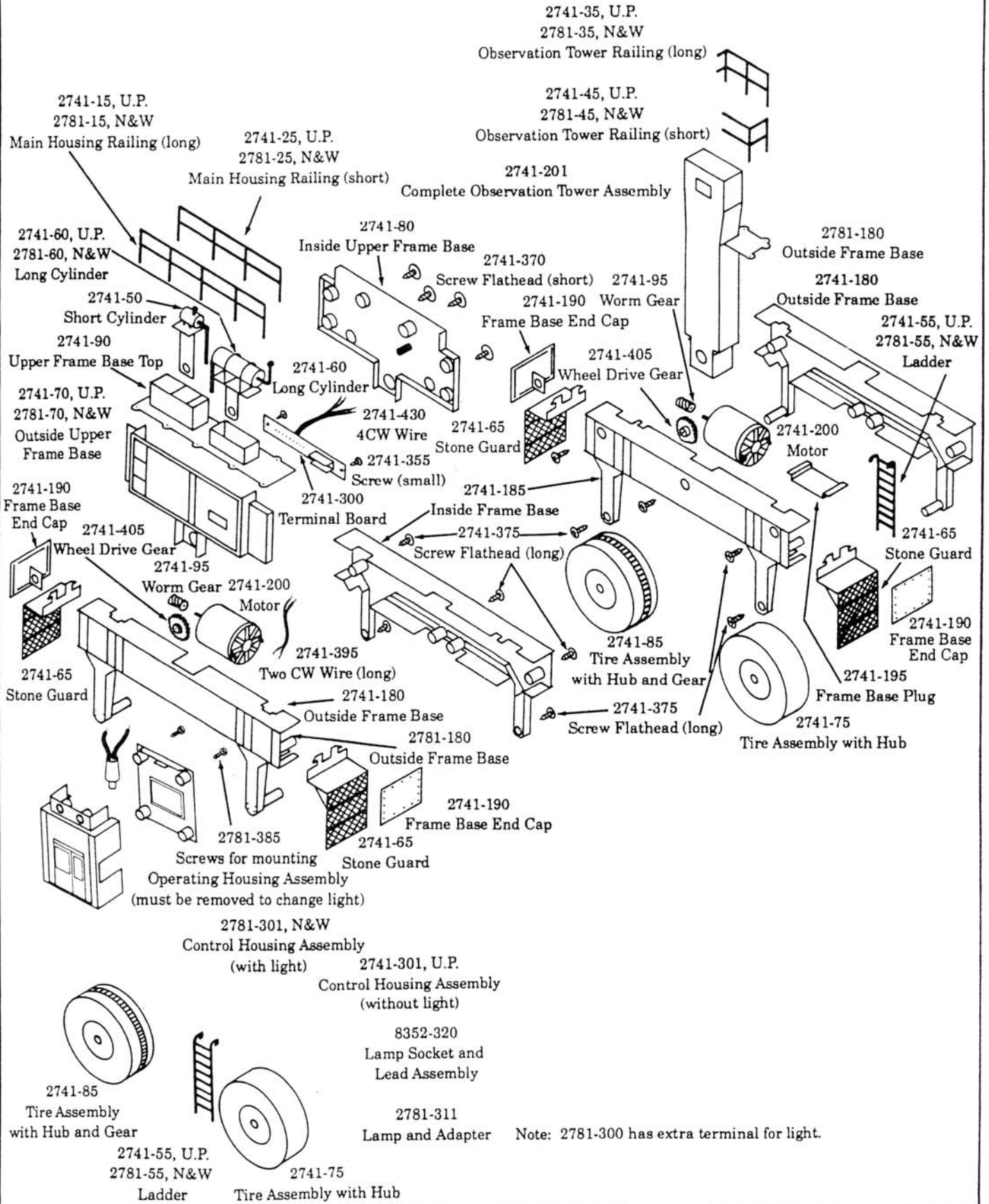
(Page 1 of 1)



# INTERMODAL CRANE

## 1-2741 Union Pacific (U.P.) 1-2781 Norfolk and Western (N&W)

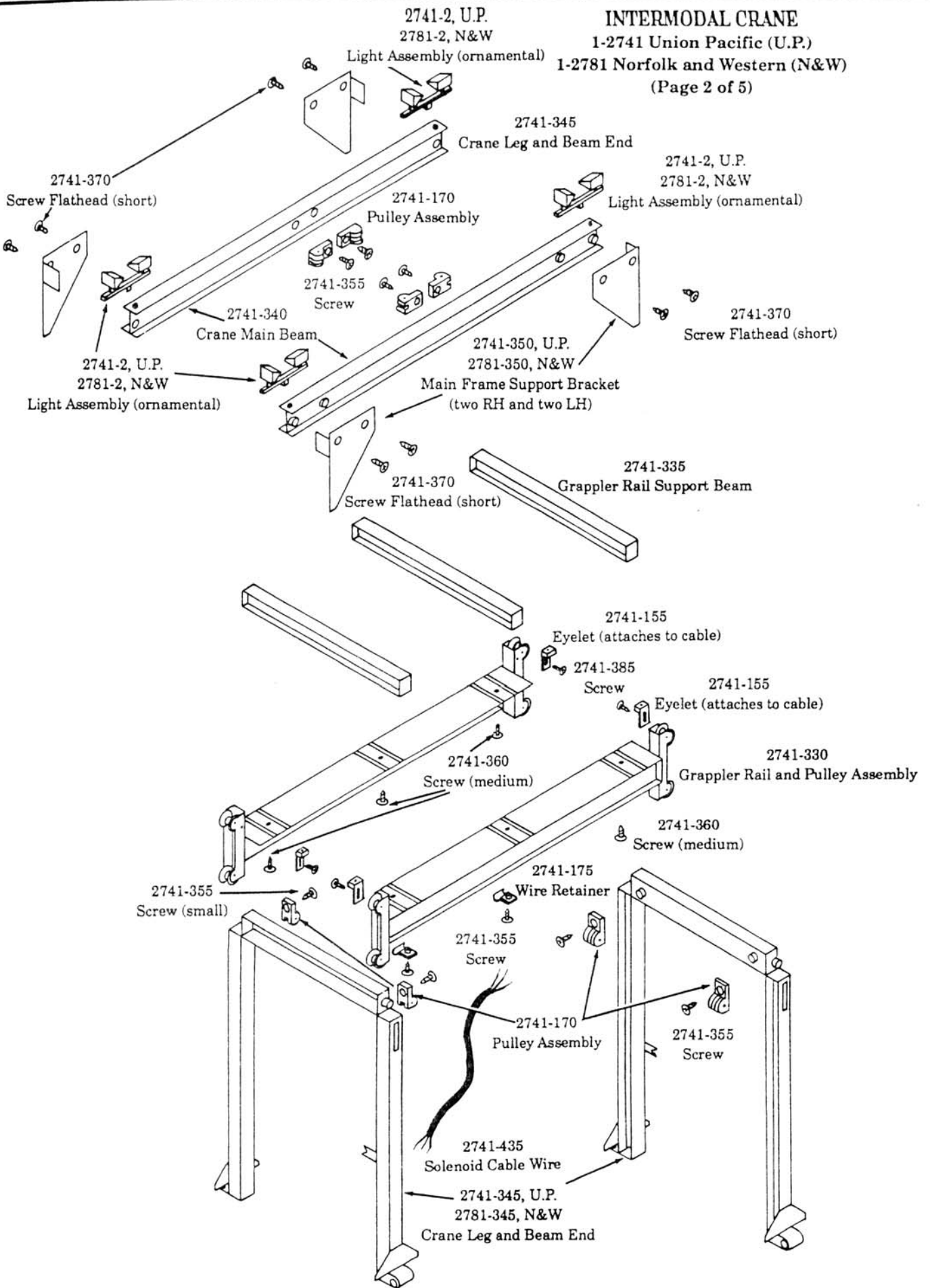
(Page 1 of 5)





# INTERMODAL CRANE

1-2741 Union Pacific (U.P.)  
1-2781 Norfolk and Western (N&W)  
(Page 2 of 5)

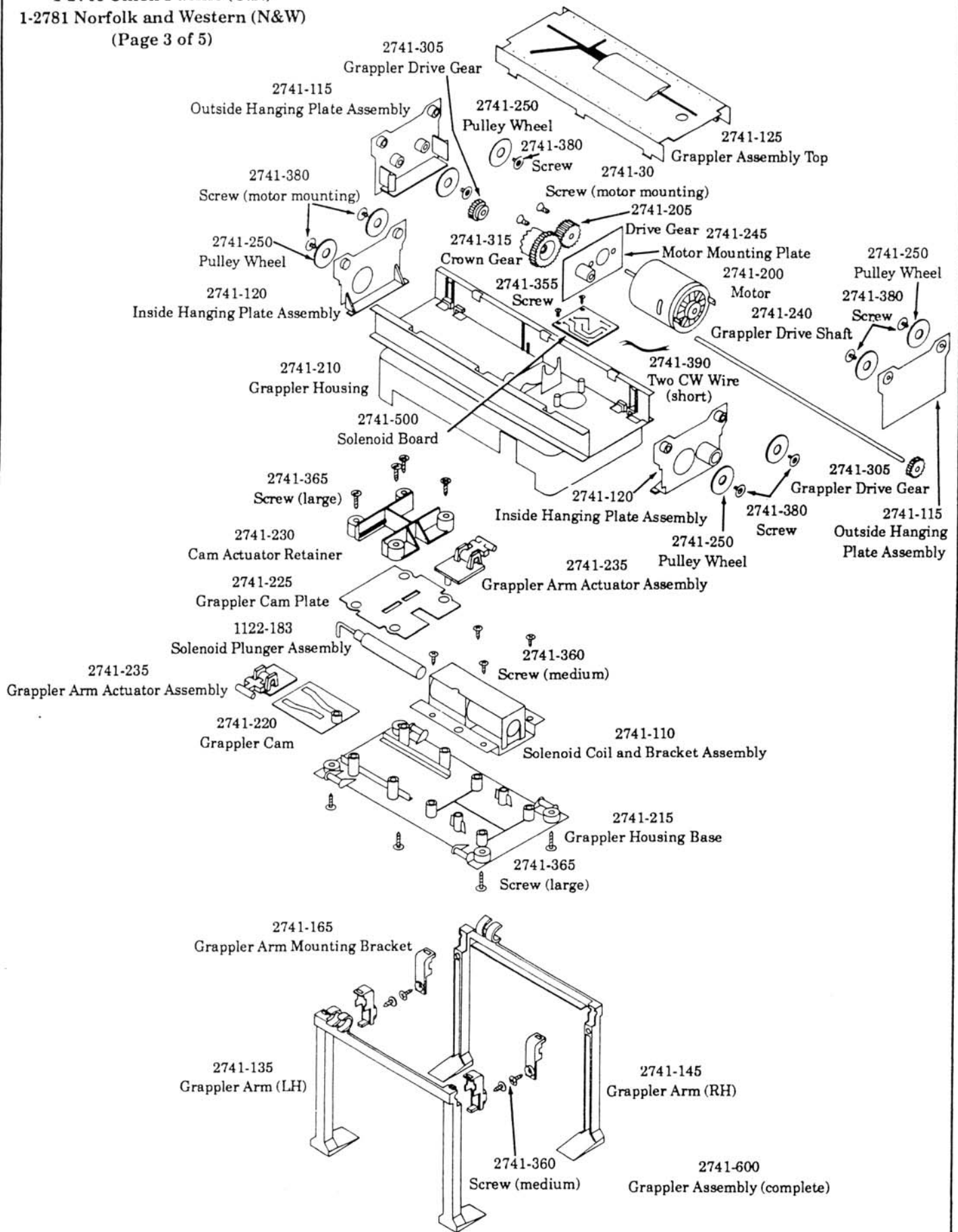


# INTERMODAL CRANE

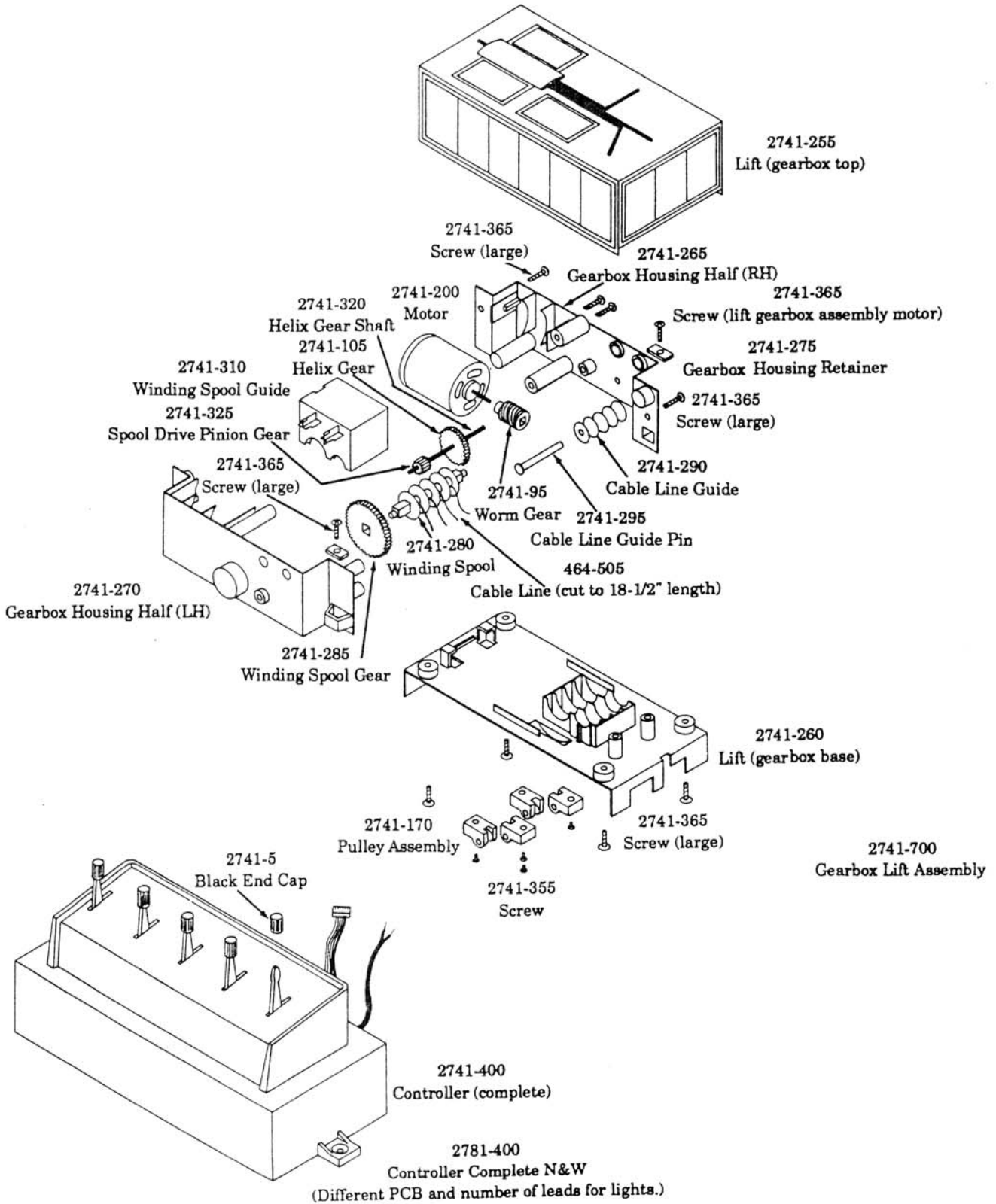
1-2741 Union Pacific (U.P.)

1-2781 Norfolk and Western (N&W)

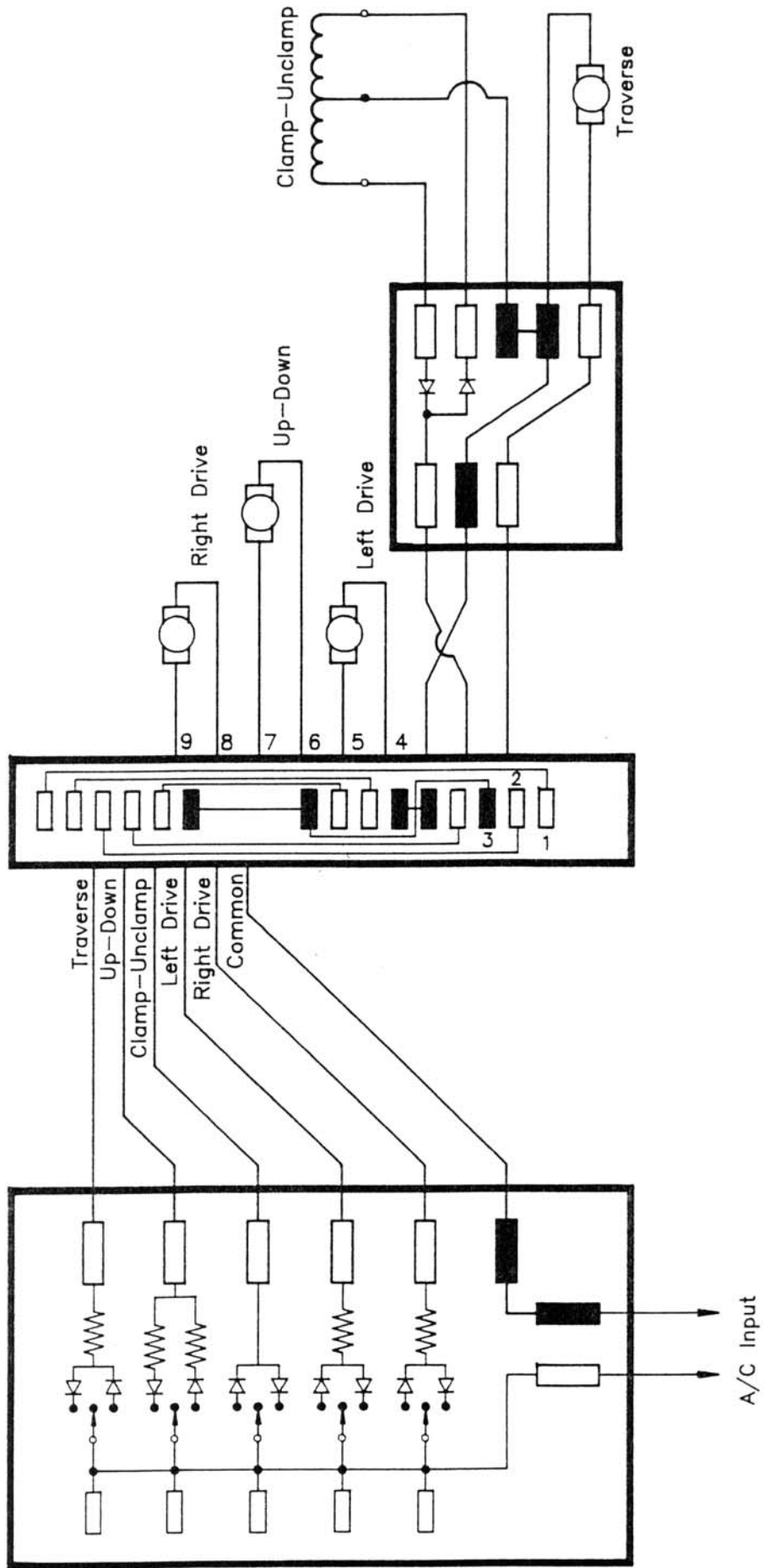
(Page 3 of 5)



**INTERMODAL CRANE**  
**1-2741 Union Pacific (U.P.)**  
**1-2781 Norfolk and Western (N&W)**  
 (Page 4 of 5)



INTERMODAL CRANE  
 WIRING FOR TERMINAL BOARD  
 1-2741 UNION PACIFIC



SOLENOID BOARD

TERMINAL BOARD

MAIN P.C. Board