



PARTS LISTS AND EXPLODED DIAGRAMS

SUPPLEMENT 16

By Gary T. Svehar

Edited by Cindy Lee Floyd

Diagrams by Steven Gugel

Notice to the User

Note: The tender drawing on page S15:4-2 (CC-24) in Supplement 15 incorrectly lists the 91-8611-T01 Tender. While the drawing does apply to the 91-8606-T01, 91-8607-T01, and the 91-8608-T01 on that page, the correct drawing for the 91-8611 is included in this Supplement on page S16:4-5 (C-25). A new drawing for the 91-8609-T01 Tender will be issued in a future supplement.

This supplement is designed to fit with two different publications, the *Lionel Service Manual* by Lionel Trains, Inc., and *Lionel Parts Lists and Exploded Diagrams* published by Greenberg Publishing Company, Inc. Each page has two page numbers. The number for the Lionel Service Manual is indicated by parentheses, e.g., (A-35). The number which applies to *Lionel Parts Lists and Exploded Diagrams* is above the parentheses, e.g., S16:1-4.

We recommend that readers with the *Lionel Service Manual* insert the pages according to the numbers in the parentheses. On the other hand, we recommend that readers with *Lionel Parts Lists and Exploded Diagrams* keep the pages as a set and insert them into a Supplement binder. Binders to match the 1970-1986 binder are available from Greenberg Publishing Company, Inc., for \$7.95 plus \$3.00 shipping and handling. A comprehensive index to the *Lionel Parts Lists and Exploded Diagrams* will be issued periodically, and will take the place of the index at the front of the original 1970-1986 manual.

Authorized by Lionel® Trains, Inc.

Published by Greenberg® Publishing Company, Inc.

Copyright © 1991 by Lionel Trains, Inc.

All rights reserved.

Reproduction of the whole or any part of the contents
without written permission is prohibited.

Manufactured in the United States of America.

Published by Greenberg Publishing Company, Inc.

7566 Main Street
Sykesville, MD 21784
(301) 795-7447

All rights reserved. No part of this book may be reproduced in any form or by any means including electronic, photocopying, recording, or by any information storage system, without written permission of the publisher, except in the case of brief quotations embodied in critical articles and reviews.

Greenberg Publishing Company, Inc. offers the world's largest selection of Lionel, American Flyer, LGB, Marx, Ives, and other toy train publications, as well as a selection of books on model and prototype railroading, dollhouse building, and collectible toys.

Greenberg Shows, Inc. sponsors the world's largest public model train, dollhouse, and toy shows. The shows feature extravagant operating train layouts in O, Standard, and 1 Gauges; HO, N, and Z Scales; and displays of magnificent dollhouses. Huge marketplaces at each location offer model and toy trains, layout accessories, and railroading, in addition to a large selection of miniatures and dollhouse building materials and collectible toys. Shows are currently offered in metropolitan Baltimore; Boston; Ft. Lauderdale; Cherry Hill, New Jersey; Long Island, New York; Norfolk; Philadelphia; Pittsburgh; and Tampa.

For a complete listing of Greenberg publications and a current show schedule, please send a large, self-addressed, stamped envelope to Greenberg Publishing Company, Inc. at the above address.

ISBN 0-89778-170-8

LIONEL SERVICE MANUAL BY LIONEL SERVICE

Description	Drawing
Steam Locomotives:	
T-1 Steam Locomotive:	(A-43), (A-43-2), (A-43-3)
1-8006 1-8011	
L-3 Steam Locomotive:	(A-44), (A-44-2), (A-44-3)
1-8009	
 Diesel Engines and Electrics:	
Dash-8 40C	(B-37), (B-37-2), (B-37-3)
1-8205	
Diesel Switcher	(B-38), (B-38-2), (B-38-3)
1-8501 1-8503	
Track Maintenance Car	(FF-81), (FF-81-2)
1-8406	
 Tenders:	
T-1 Tender	(C-26), (C-26-2)
91-8006-T01	
L-3 Tender	(C-27), (C-27-2)
91-8009-T01	
Lionel Lines Tender	(C-25)
91-8611-T01	
 Accessories:	
Rotary Radar Tower	(II-40),
1-2749	
 Large Scale:	
Handcar	(M-10), (M-10-2)
8-87200, 8-87203, 8-87207	

INDEX TO LIONEL PARTS LISTS AND EXPLODED DIAGRAMS SUPPLEMENT 16

ALPHABETICAL INDEX

O AND O27 GAUGES

Diesel Engines and Electrics

Dash-8 40C 1-8205	S16:1-1, 2, 3
Diesel Switcher 1-8501 1-8503	S16:1-4, 5, 6
Track Maintenance Car 1-8406	S16:1-7, 8

Steam Locomotives

T-1 Steam Locomotive 1-8006 1-8011	S16:3-1, 2, 3
L-3 Steam Locomotive 1-8009	S16:3-4, 5, 6

Tenders

T-1 Tender 91-8006-T01	91-8011-T01	S16:4-1, 2
L-3 Tender 91-8009-T01		S16:4-3,4
Lionel Lines Tender 91-8611-T01		S16:4-5

Accessories

Rotary Radar Tower 1-2749	S16:14-1
------------------------------	----------

LARGE SCALE

Operating Cars

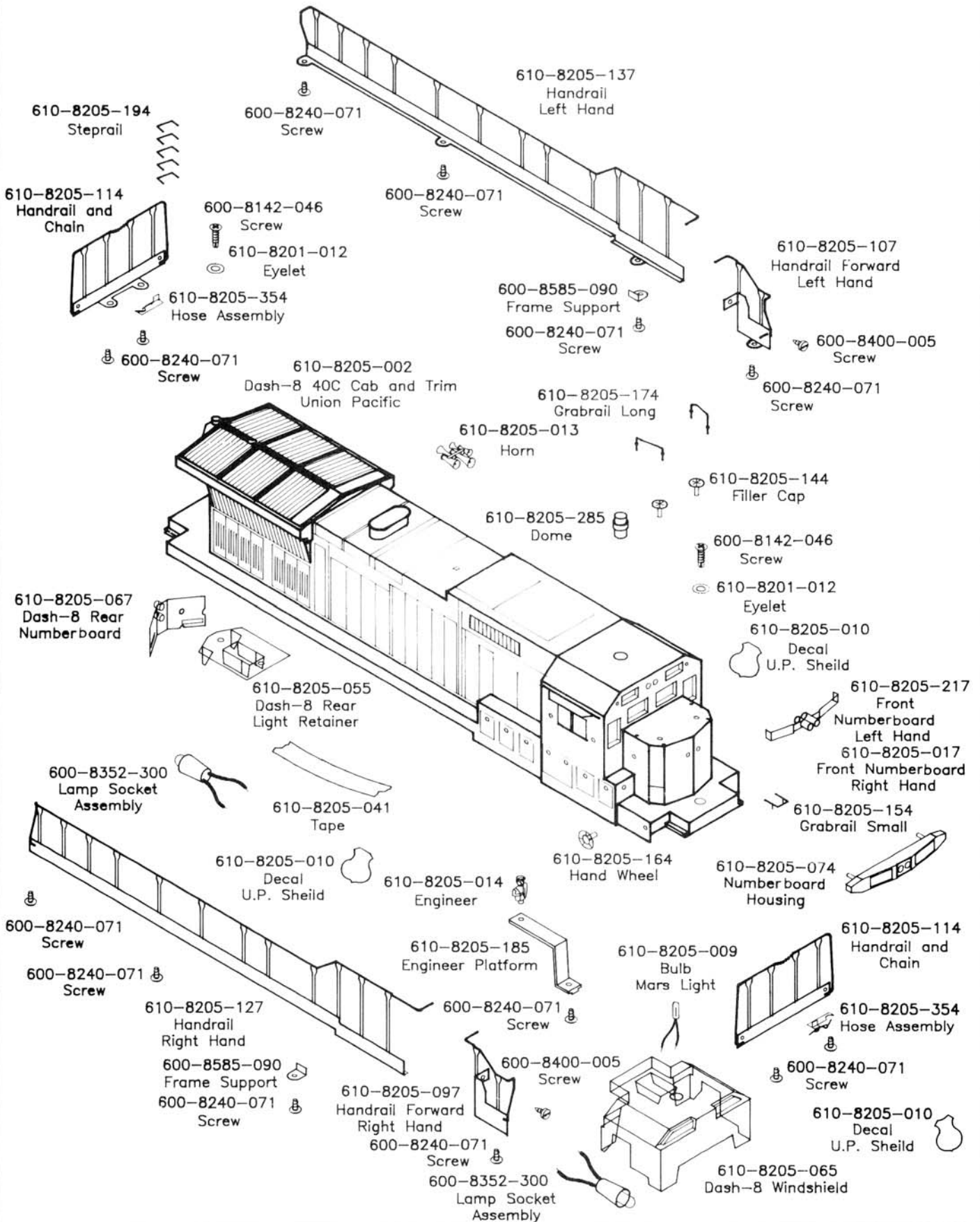
Handcar 8-87200 8-87203 8-87207	S16:24-1, 2
------------------------------------	-------------

NUMERICAL LISTING

1-2749	S16:14-1	8-87200	S16:24-1, 2
1-8006	S16:3-1, 2, 3	8-87203	S16:24-1, 2
1-8009	S16:3-4, 5, 6	8-87207	S16:24-1, 2
1-8011	S16:3-1, 2, 3	91-8006-T01	S16:4-1, 2
1-8205	S16-1-1, 2, 3	91-8009-T01	S16:4-3, 4
1-8406	S16:1-7, 8	91-8011-T01	S16:4-1, 2
1-8501	S16:1-4, 5, 6	91-8611-T01	S16:4-5
1-8503	S16:1-4, 5, 6		

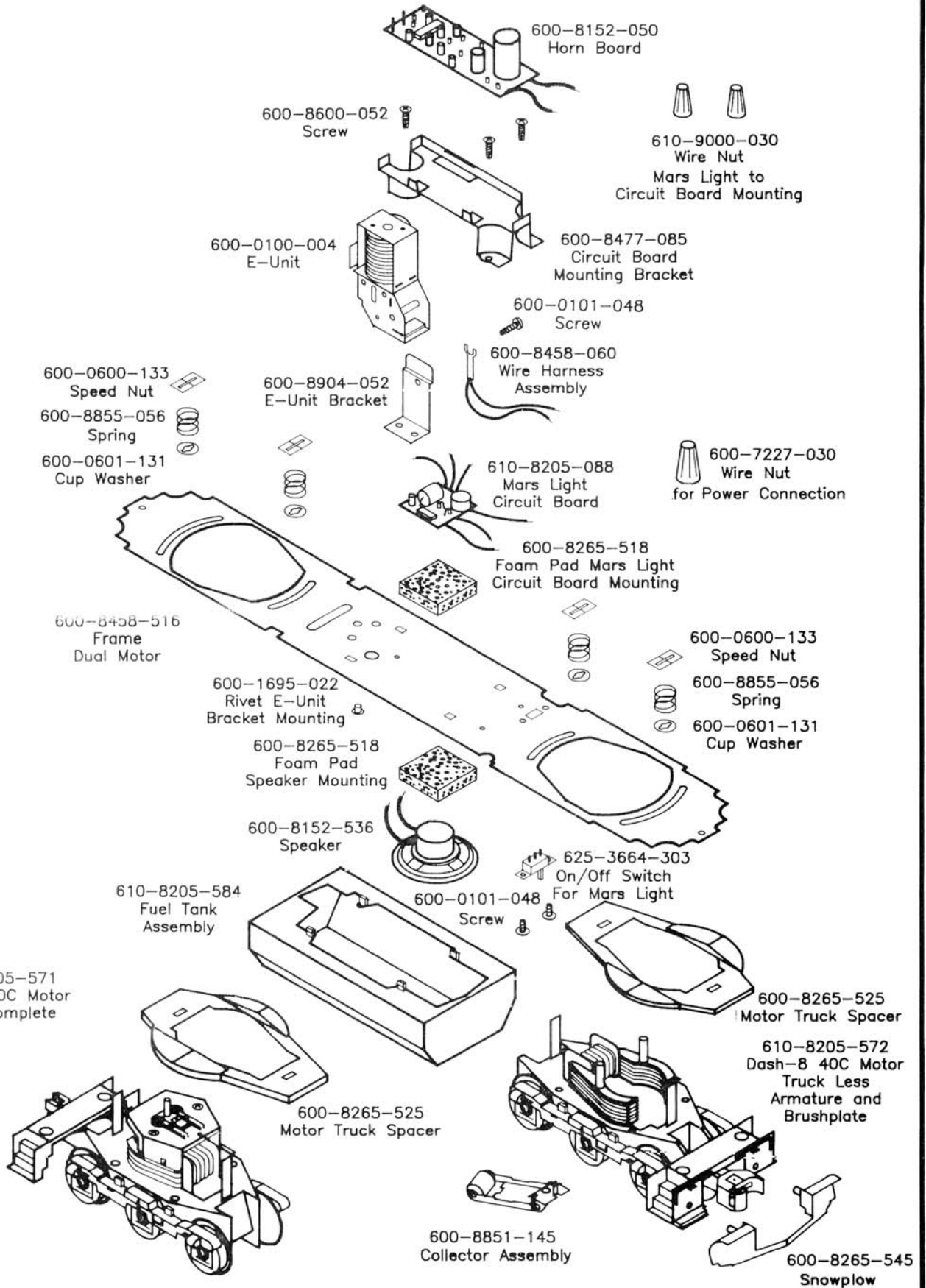
DIESEL LOCOMOTIVE (Dash-8 40C)

1-8205 Union Pacific



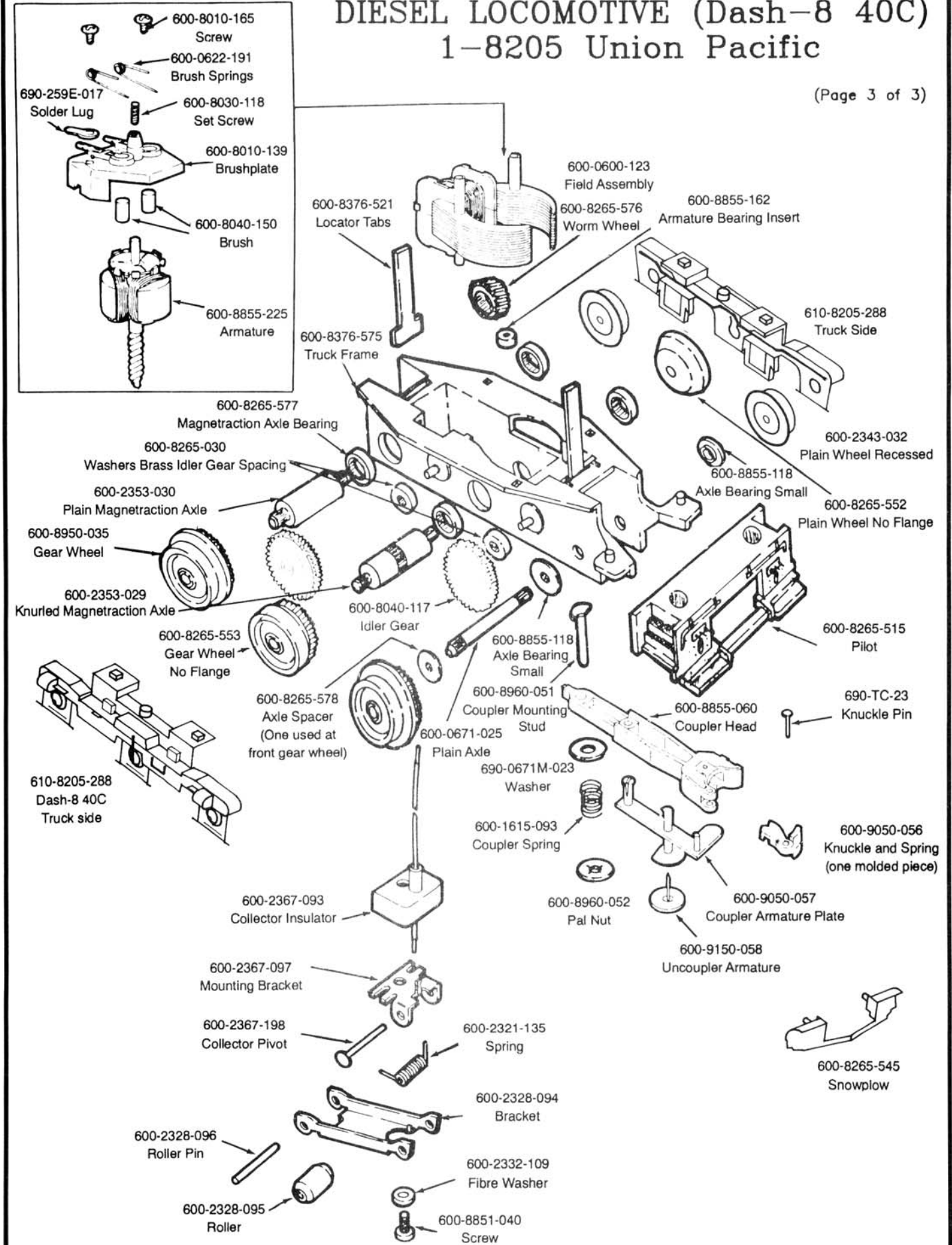
DIESEL LOCOMOTIVE (Dash-8 40C) 1-8205 Union Pacific

(Page 2 of 3)



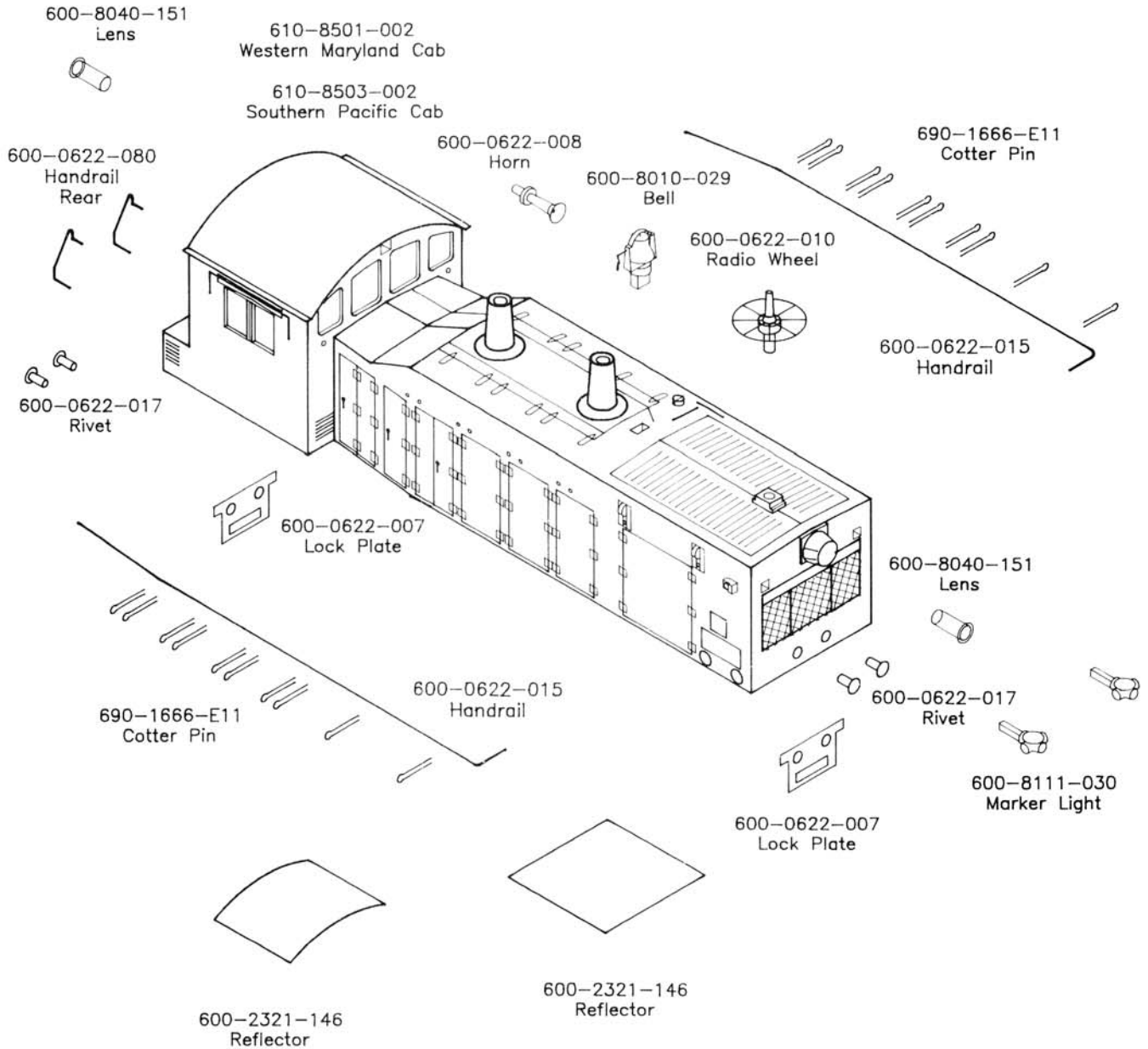
DIESEL LOCOMOTIVE (Dash-8 40C) 1-8205 Union Pacific

(Page 3 of 3)



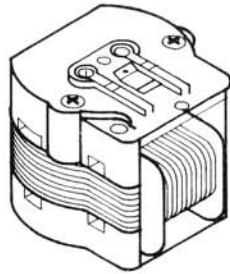
DIESEL SWITCHER

1-8501 Western Maryland
1-8503 Southern Pacific

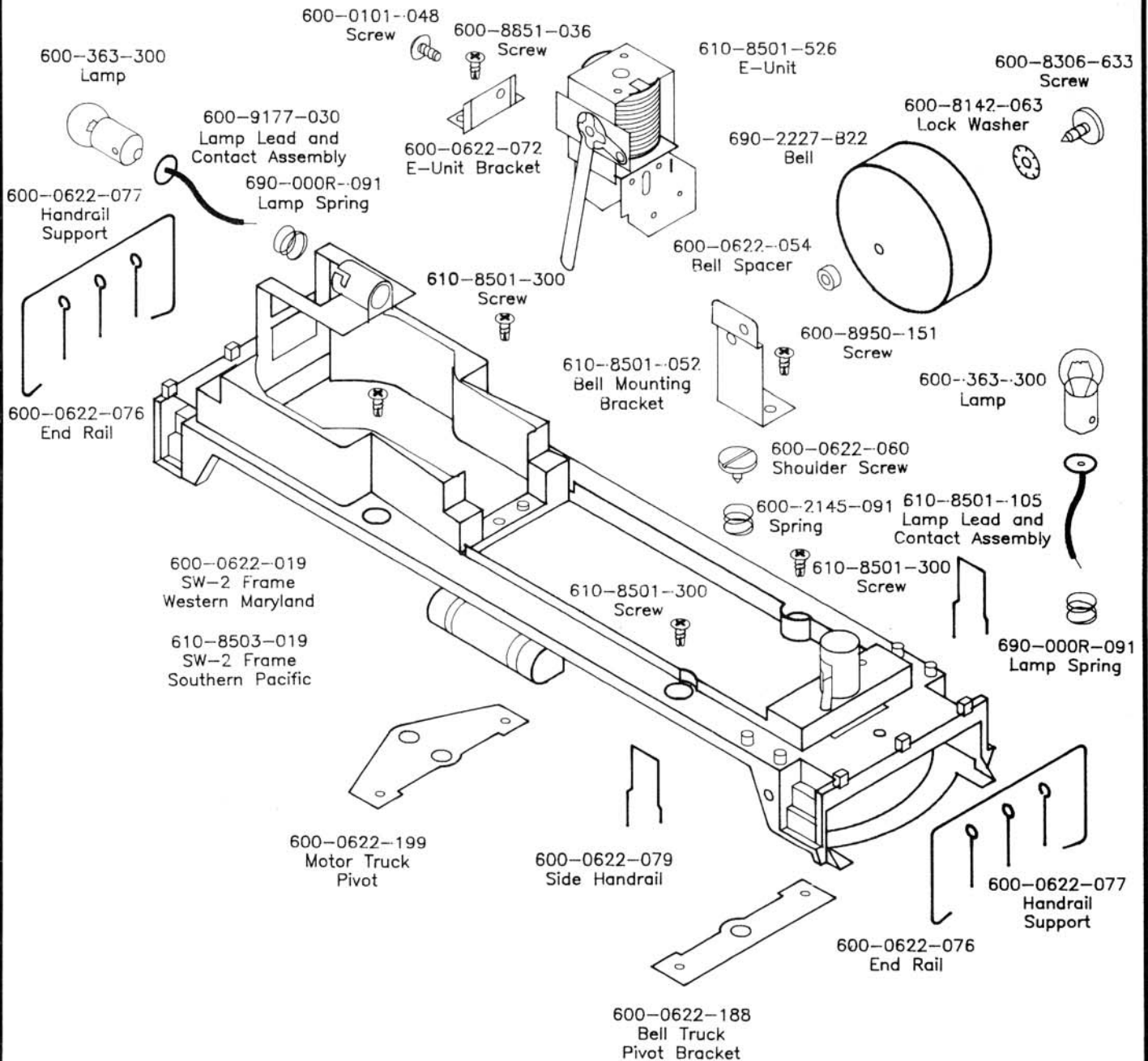


DIESEL SWITCHER

1-8501 Western Maryland
1-8503 Southern Pacific



610-8503-100
Motor Complete

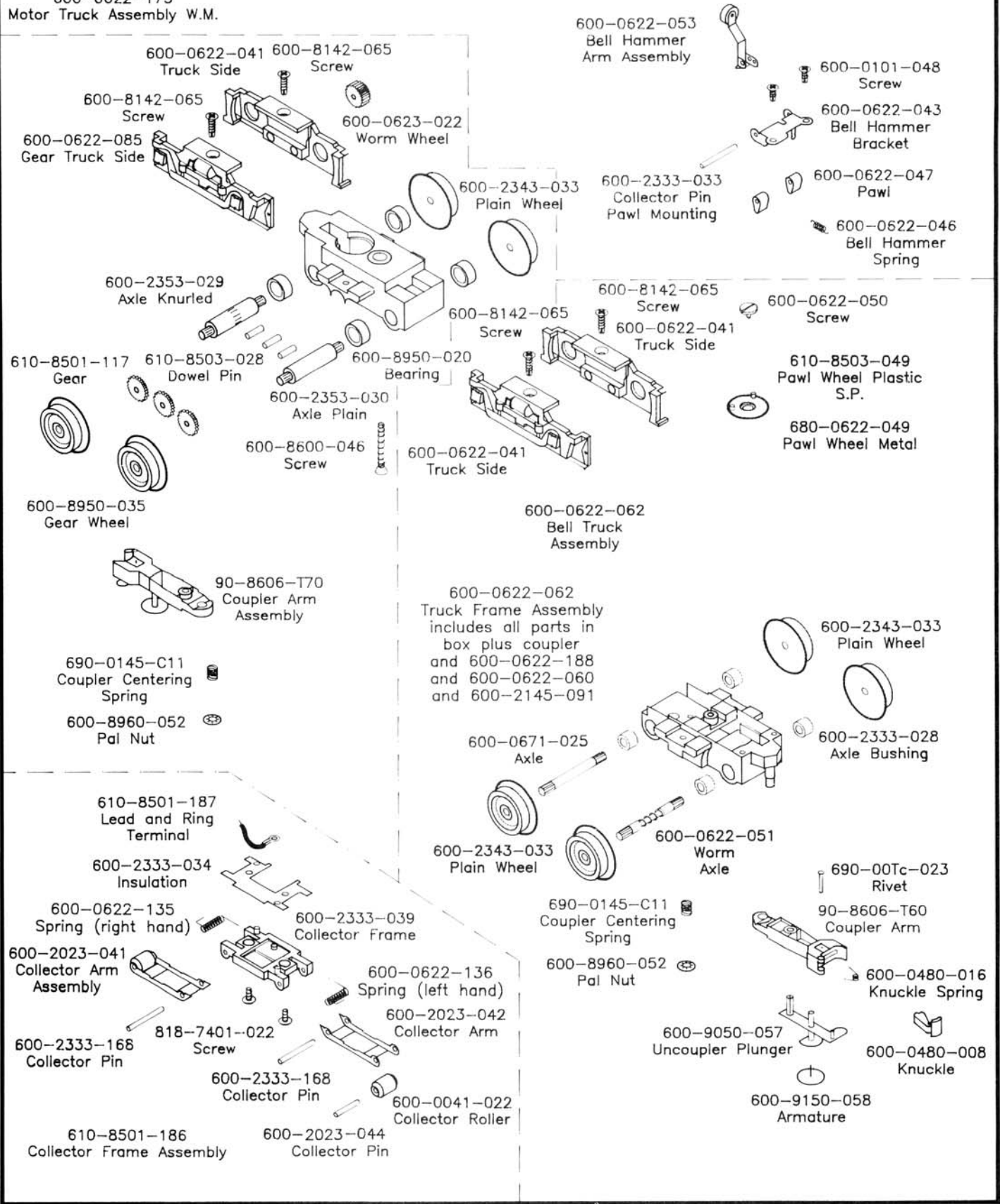


DIESEL SWITCHER

(Page 3 of 3)

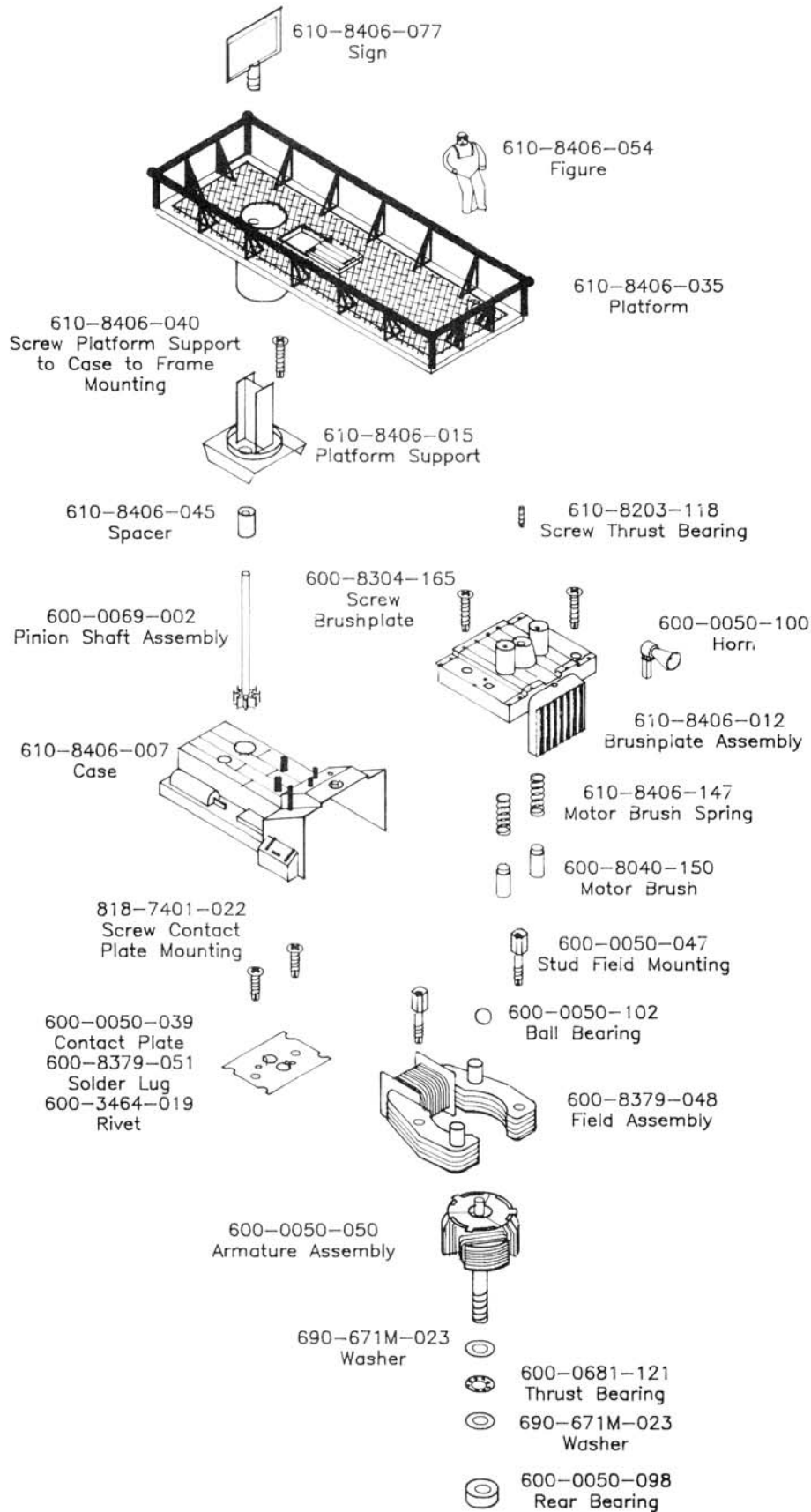
610-8503-173
Motor Truck Assembly S.P.
600-0622-173
Motor Truck Assembly W.M.

1-8501 Western Maryland
1-8503 Southern Pacific



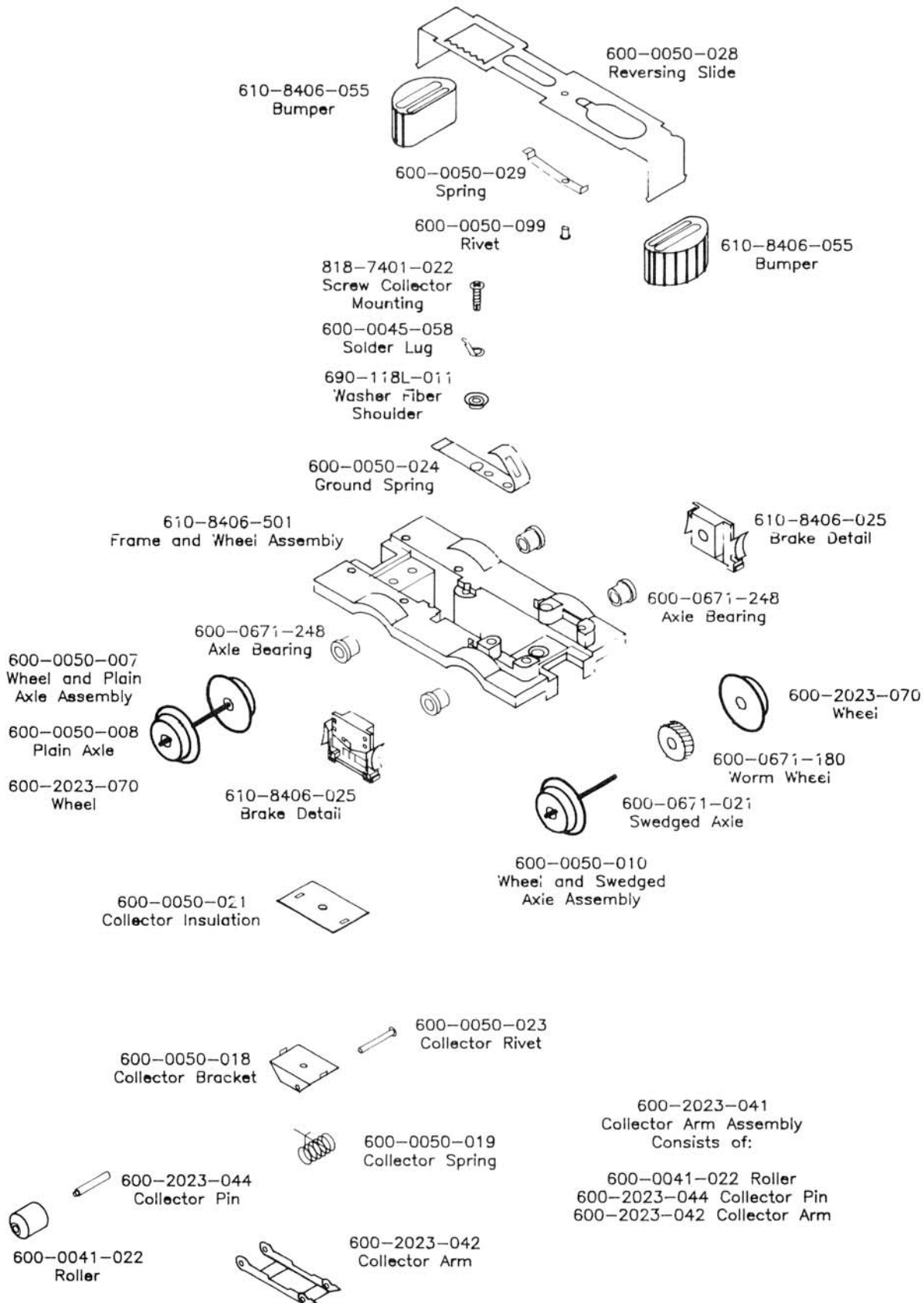
TRACK MAINTENANCE CAR 10-8406

(Page 1 of 2)



TRACK MAINTENANCE CAR 10-8408

(Page 2 of 2)



610-2100-021
Rear Cab Rail
(left hand)

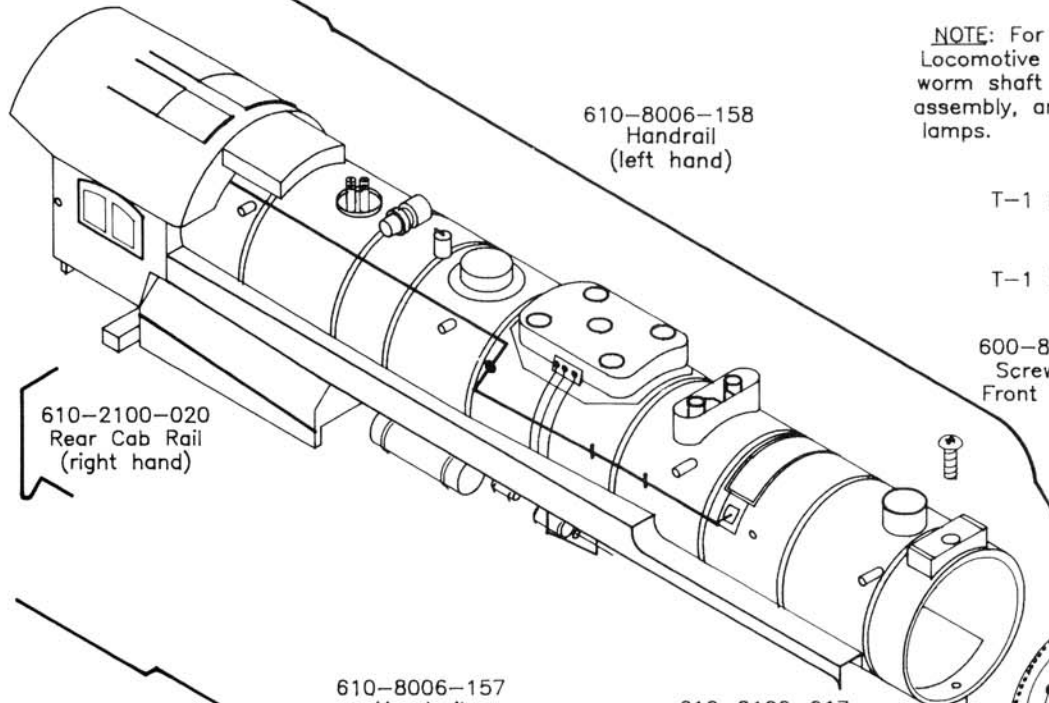
T-1 STEAM LOCOMOTIVE

1-8006 Reading

1-8011 Chessie System

(Page 1 of 3)

NOTE: For 1-8011 refer to L-3 Locomotive drawing for motor and worm shaft parts, constant lighting assembly, and headlight and firebox lamps.



610-8006-158
Handrail
(left hand)

610-8006-002
T-1 Boiler Assembly Complete
(Reading)
610-2101-002
T-1 Boiler Assembly Complete
(Chessie System)

610-2100-020
Rear Cab Rail
(right hand)

600-8304-165
Screw Boiler
Front Mounting
610-2100-118
Bell Bracket
(Reading)
610-2101-021
Bell Bracket
(Chessie System)

610-8006-131 *
Wire Retainer

610-8006-157
Handrail
(right hand)

610-2100-017
Step (left hand)
(Reading)
610-2101-011
Step (left hand)
(Chessie System)

600-0348-187
Screw Bell
Bracket Mounting

610-2100-119
Bell

610-2100-025
Lens

690-2020-M09
Solder Lug

610-8006-130
E-Unit Plug

610-2100-016
Step Right Hand
(Reading)
610-2101-010
Step Right Hand
(Chessie System)

610-2100-024
Boiler Front Assembly
(Reading)
610-2101-020
Boiler Front Assembly
(Chessie System)
Includes: Bell; Bell Bracket;
Screw; and Lens

600-4300-065 *
Screw Brushplate
Mounting

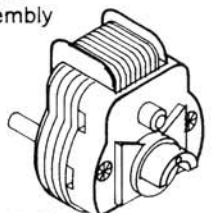
600-0622-140 *
Brushplate Assembly

* Note parts marked with * are used on 1-8006 Reading only. For 1-8011 Chessie T-1 refer to L-3 drawing for motor and breakdown and plug assemblies.

610-8502-150
Motor Brush

691-8000-T60 *
Male Plug Assembly

690-671M-022 *
Retaining Clip



600-8606-112 *
Armature

690-671M-023 *
Thrust Washer
600-0681-121 *
Thrust Bearing
690-671M-023 *
Thrust Washer

600-8306-101 *
Motor Housing

600-0002-111
Lock Washer

600-8306-533
Screw Motor Mounting

690-671M-022 *
Retaining Clip

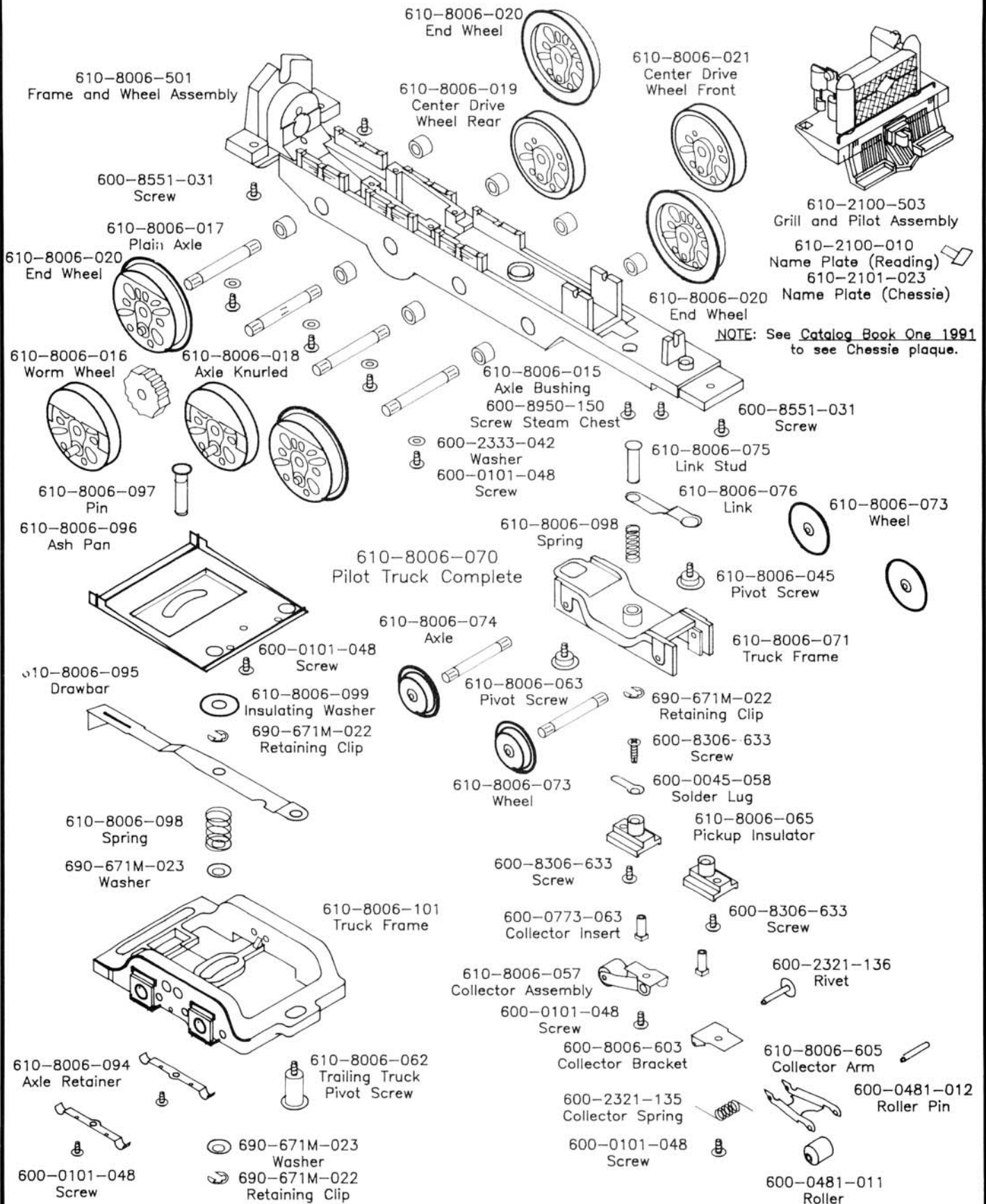
610-8006-026 *
Drive Coupling

T-1 STEAM LOCOMOTIVE

1-8006 Reading

1-8011 Chessie System

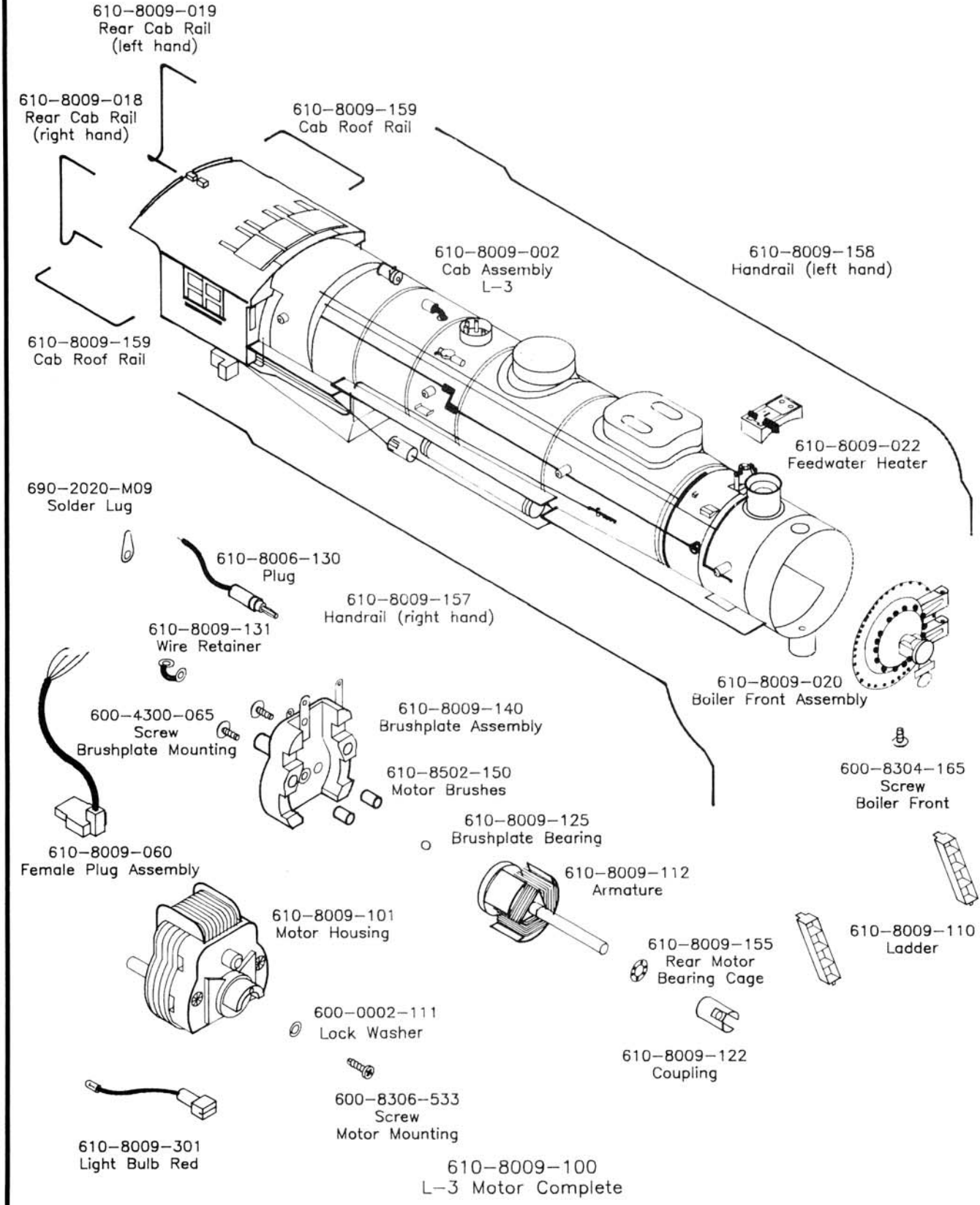
(Page 3 of 3)



L-3 STEAM LOCOMOTIVE

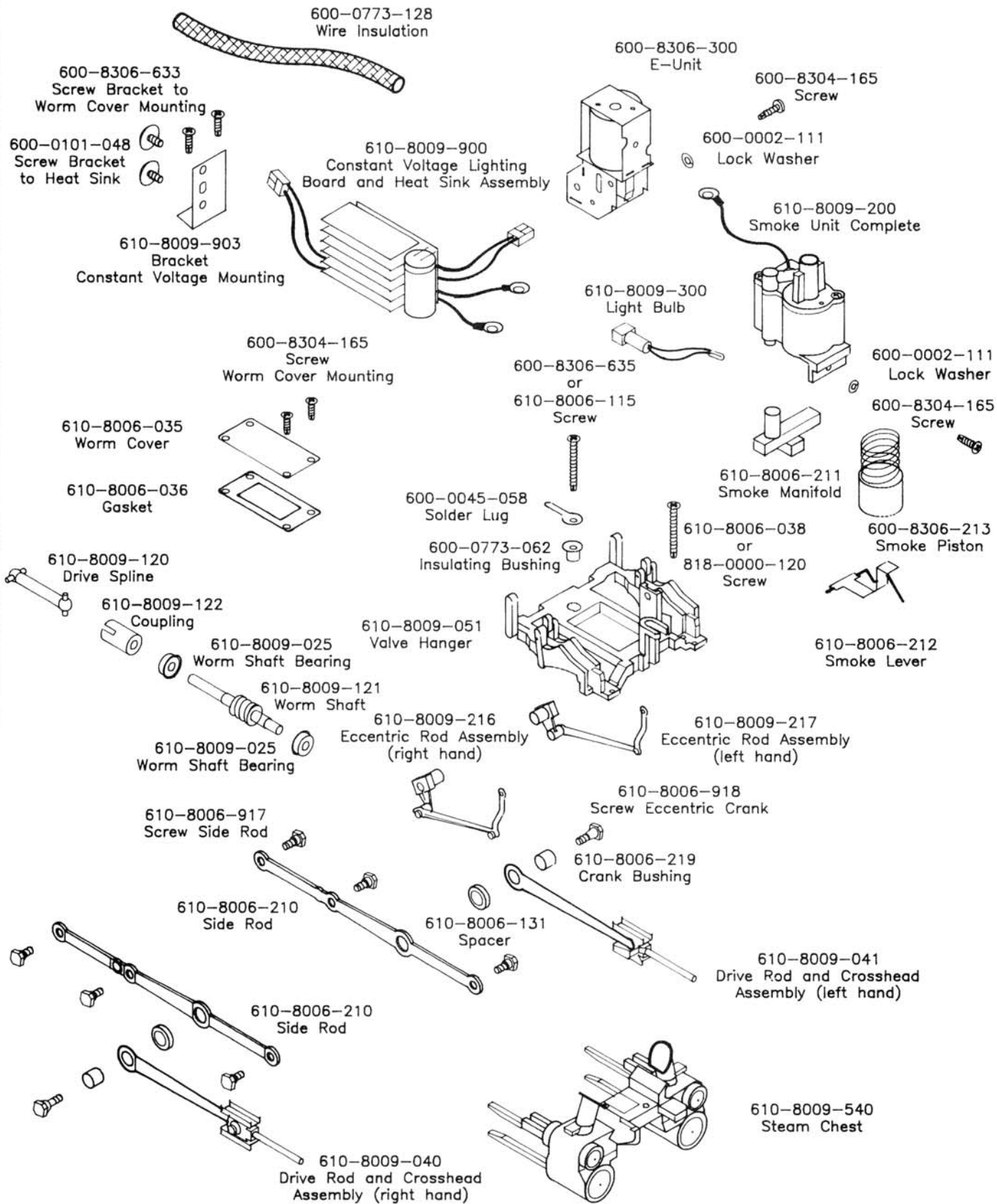
1-8009 New York Central

(Page 1 of 3)



L-3 STEAM LOCOMOTIVE 1-8009 New York Central

(Page 2 of 3)



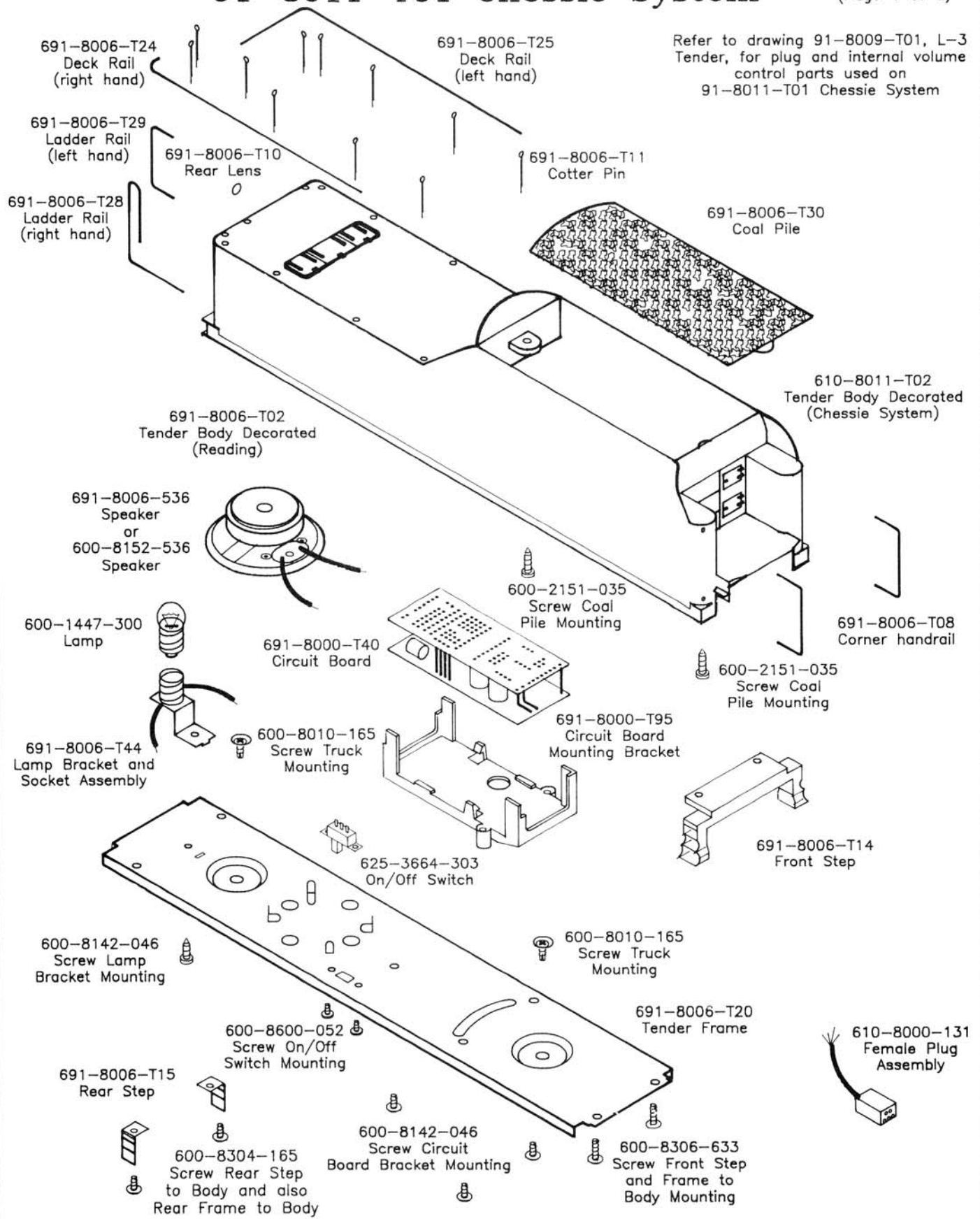
T-1 TENDER

91-8006-T01 Reading


91-8011-T01 Chessie System

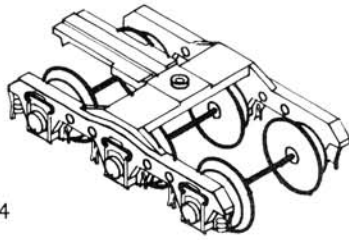
(Page 1 of 2)

Refer to drawing 91-8009-T01, L-3
Tender, for plug and internal volume
control parts used on
91-8011-T01 Chessie System

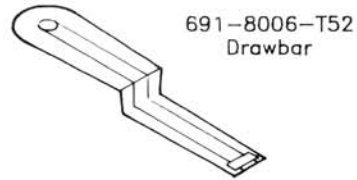


T-1 TENDER
91-8006-T01 Reading
91-8011-T01 Chessie System

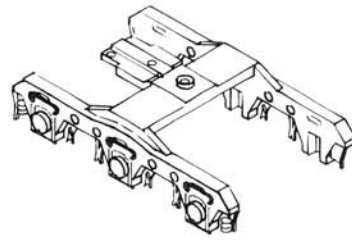
600-9570-107
 Washer Rear
 Truck Mounting 




691-8006-T54
 Rear Truck
 Includes coupler



691-8006-T52
 Drawbar




691-8006-T55
 Truck Side

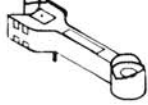
691-8000-T87
 Sensor with Leads 

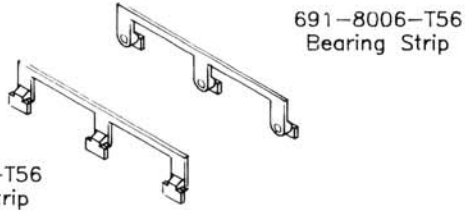


691-8006-T80
 Sensor Bracket

600-0101-048
 or
 610-8006-042
 Screw Sensor
 Bracket Mounting 

691-8006-T50
 Front Truck Assembly
 includes wheel and axle
 and sensor


691-8006-T70
 Rear Coupler
 Assembly 



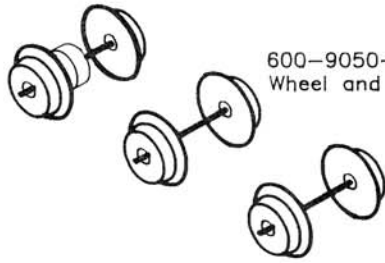
691-8006-T56
 Bearing Strip

691-8006-T56
 Bearing Strip


691-8006-T57
 Coupler Armature
 Assembly 

600-1615-093
 Centering Spring 

691-8000-T54
 Wheel and Axle
 with Magnet



600-9050-054
 Wheel and Axle

600-8960-052
 Pal Nut 

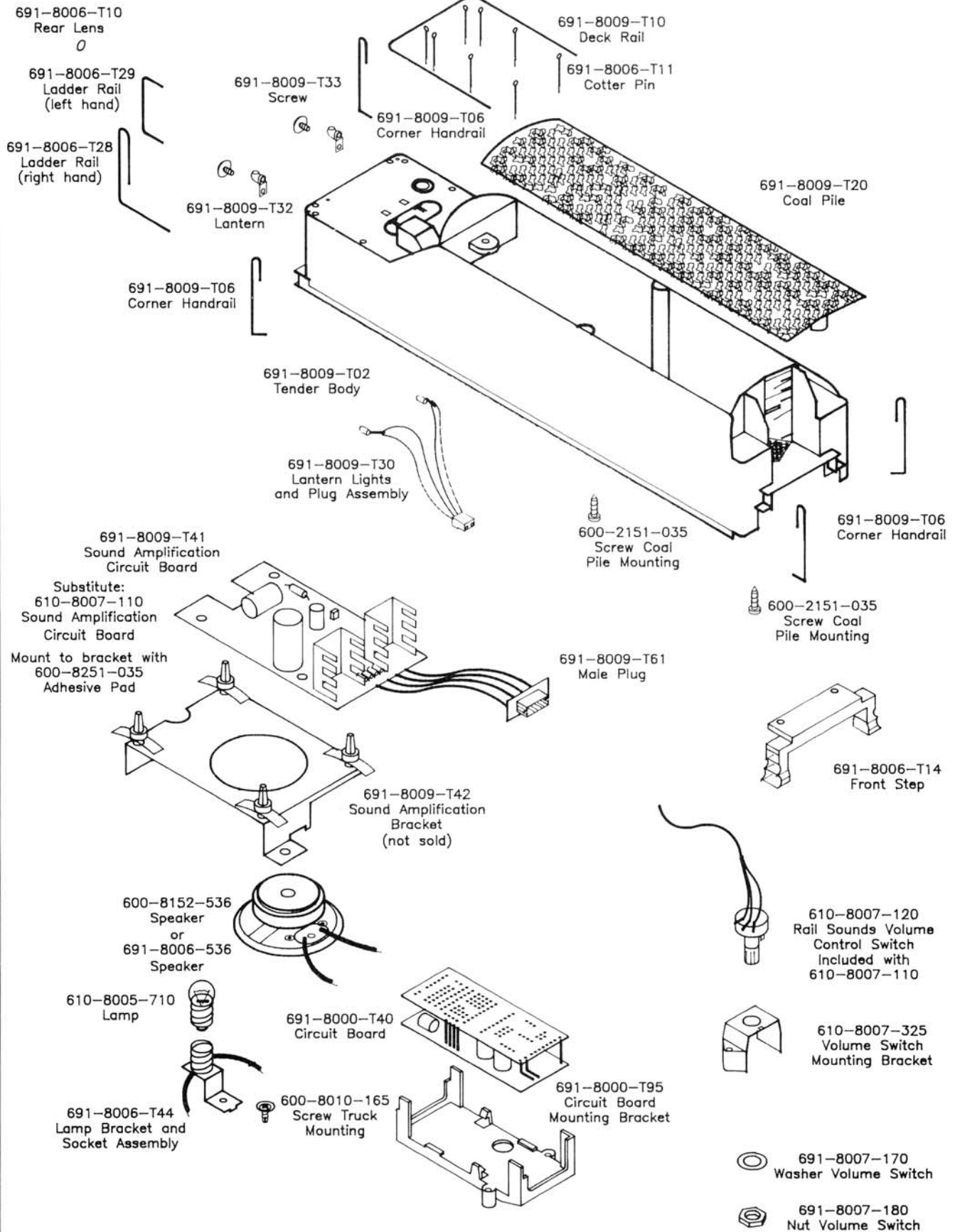
600-9050-054
 Wheel and Axle

691-8006-T70 Rear Coupler Assembly
 Consists of:

- 691-8006-T86 Coupler Arm
- 691-00Tc-023 Knuckle Rivet or
- 690-00Tc-023 Knuckle Rivet
- 691-8006-T08 Knuckle
- 600-0480-016 Knuckle Spring

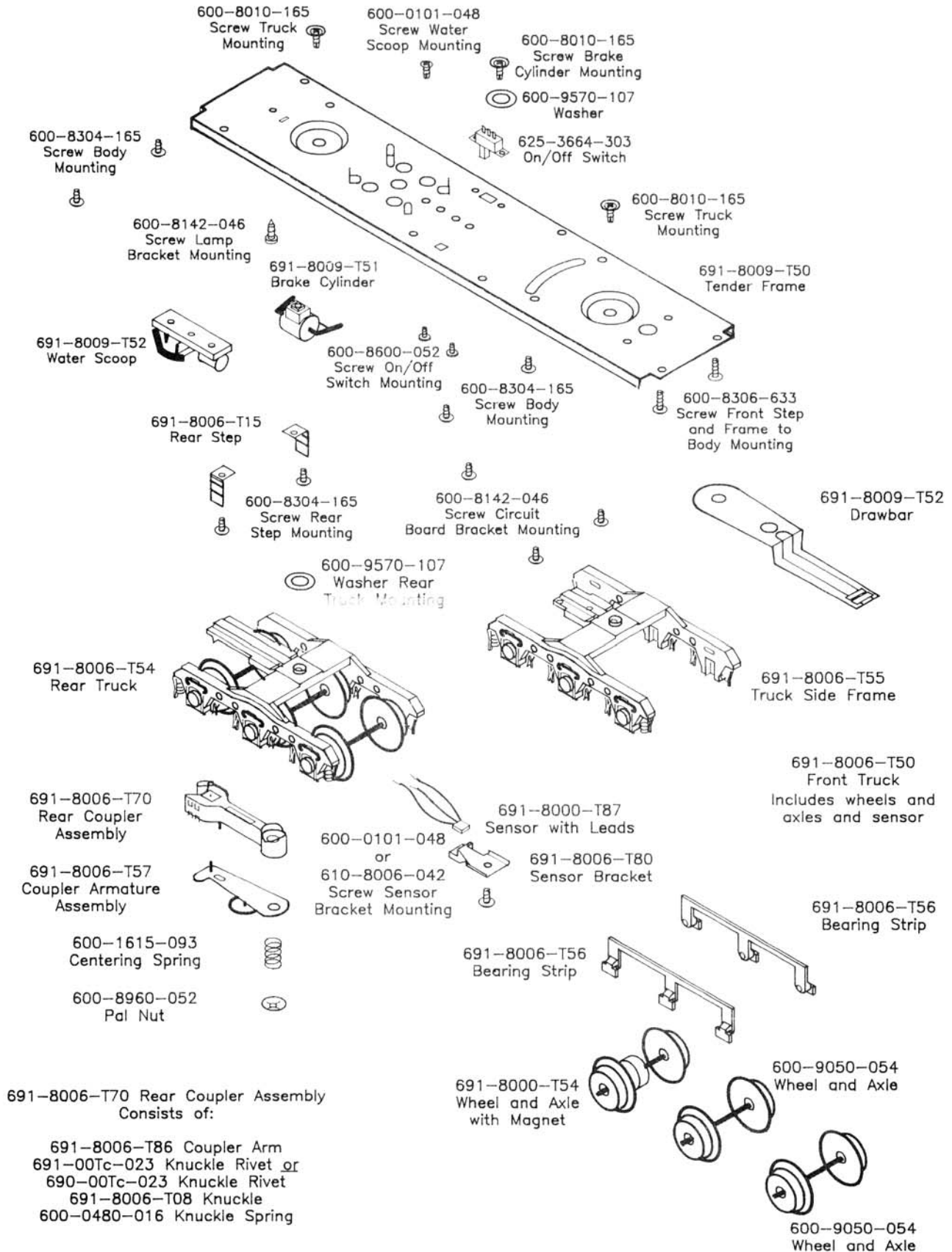
L-3 TENDER

91-8009-T01 New York Central



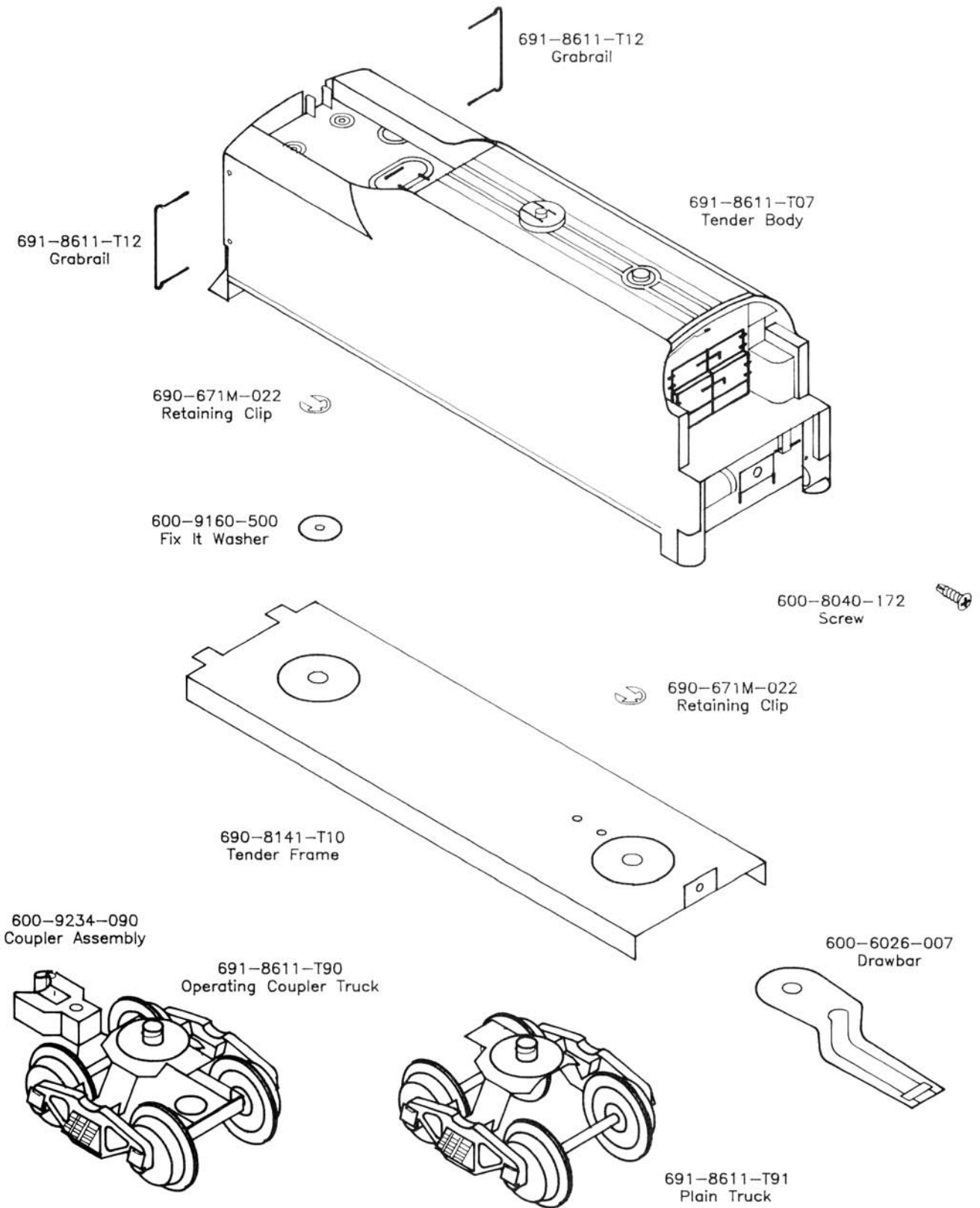
L-3 TENDER

91-8009-T01 New York Central

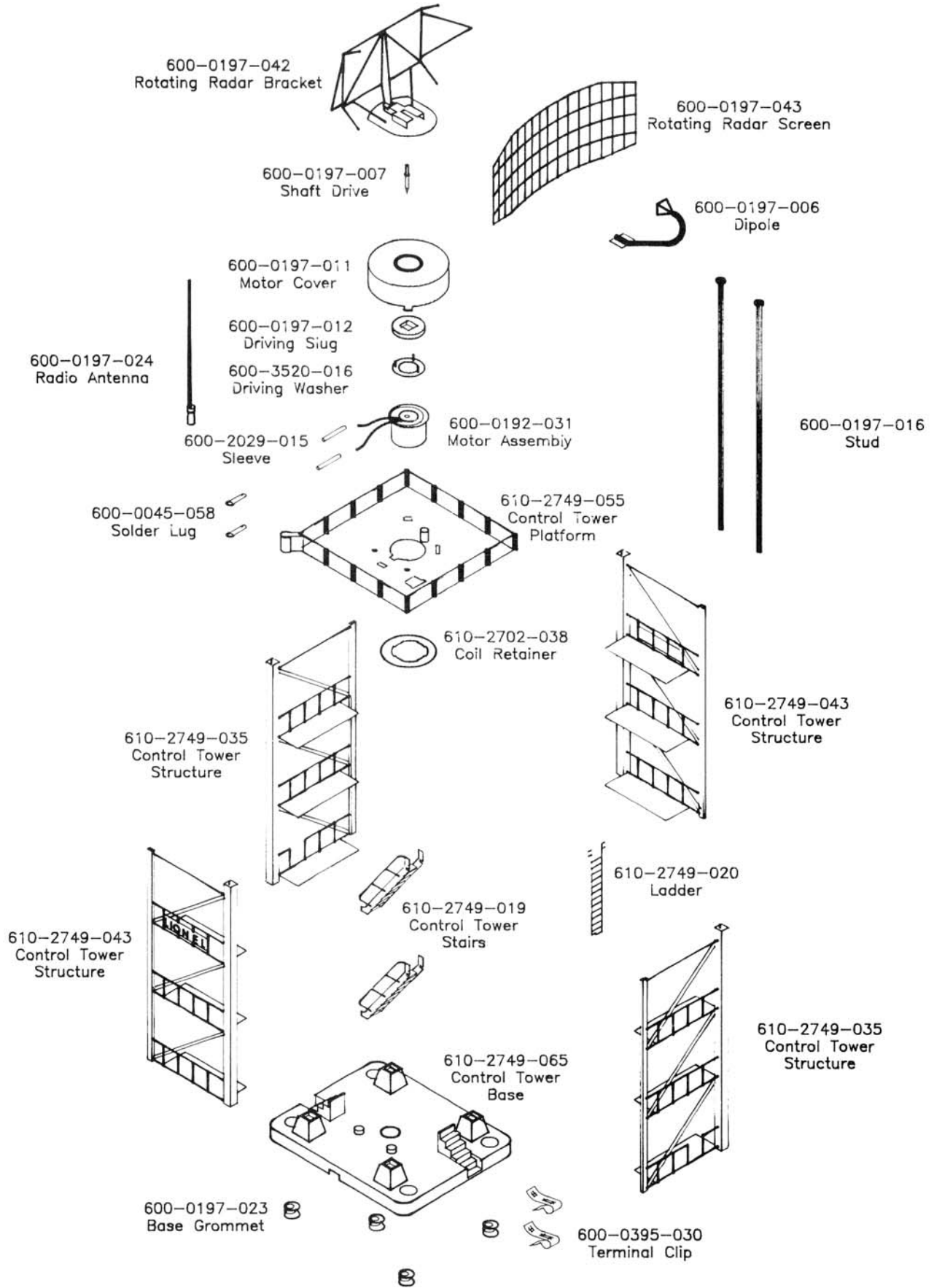


TENDER

91-8611-T01 Lionel Lines



1-2749 ROTARY RADAR TOWER



LARGE SCALE HANDCAR

8-87200 Handcar

8-87203 Santa and Snowman Handcar

8-87207 Mickey Mouse and Donald Duck Handcar

(Page 1 of 2)



818-7203-013
Snowman Figure

818-7200-085
Axle Pin



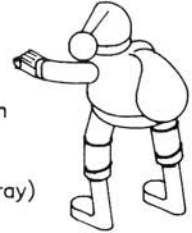
818-7200-045
Handle



818-7200-025
Barrel Large
Handcar

818-7203-023
Barrel Large
Santa and Snowman

818-7207-024
Barrel Large
Mickey and Donald (gray)



818-7203-012
Santa Figure

818-7200-035
Barrel Small
Handcar

818-7203-034
Barrel Small
Santa and Snowman

818-7207-034
Barrel Small
Mickey and Donald (gray)

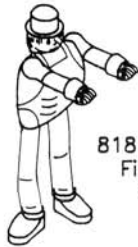


818-7200-015
Grabrail Handcar

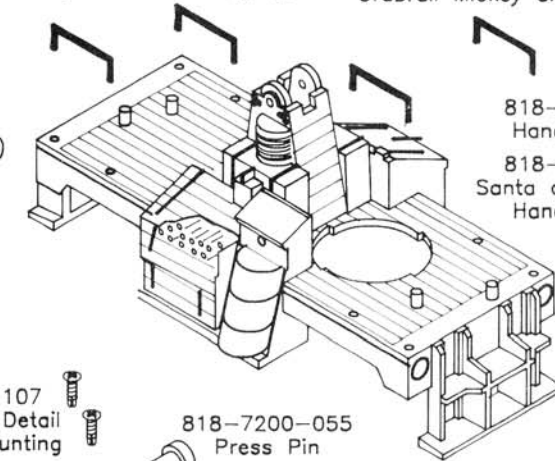
818-7203-015
Grabrail Santa and Snowman

818-7207-015
Grabrail Mickey and Donald

818-7207-012
Mickey Mouse
Figure



818-7200-012
Figure Blue
Handcar



818-7200-003
Handcar Body

818-7203-003
Santa and Snowman
Handcar Body

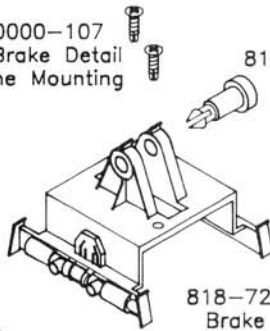
818-7207-003
Mickey and Donald
Handcar Body



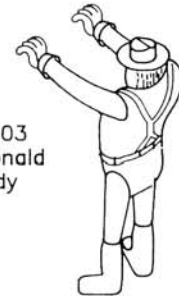
818-7207-013
Donald Duck
Figure

818-0000-107
Screw Brake Detail
to Frame Mounting

818-7200-055
Press Pin

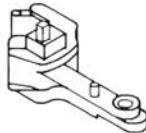


818-7200-075
Brake Detail

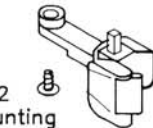


818-7200-013
Figure Green
Handcar

818-5101-401
Coupler Complete



818-5101-122
Screw Coupler Mounting



818-5101-401
Coupler Complete

818-5101-122
Screw Coupler Mounting

818-7200-502
Motor and Worm
Gear Assembly



818-7200-215
Tool Shovel
Handcar

818-7203-215
Tool Shovel
Santa and Snowman

818-7207-215
Tool Shovel
Mickey and Donald



818-7200-205
Tool Pick
Handcar

818-7203-205
Tool Pick
Santa and Snowman

818-7207-205
Tool Pick
Mickey and Donald



818-7200-225
Tool Transit
Handcar

818-7203-225
Tool Transit
Santa and Snowman

818-7207-225
Tool Transit
Mickey and Donald



818-7200-235
Tool Sledge
Handcar

818-7203-235
Tool Sledge
Santa and Snowman

818-7207-235
Tool Sledge
Mickey and Donald



LARGE SCALE HANDCAR
8-87200 Handcar
8-87203 Santa and Snowman Handcar
8-87207 Mickey Mouse and Donald Duck Handcar

(Page 2 of 2)

