



PARTS LISTS AND EXPLODED DIAGRAMS

SUPPLEMENT 18

By Gary T. Svehar

Edited by Cindy Lee Floyd

Diagrams by Steven Gugel

(Square Window Caboose drawing was supplied by Lionel Trains, Inc.)

Notice to the User

The last two pages in this supplement are replacement pages for the following: S16:3-3 (A-43-3) — Wheel and axle assembly have been added; S16:3-6 (A-44-3) — Roller Pin and Collector Roller have new numbers. Please remove the existing pages in your manual, throw them away, and replace with these pages.

This supplement is designed to fit with two different publications, the *Lionel Service Manual* by Lionel Trains, Inc., and *Lionel Parts Lists and Exploded Diagrams* published by Greenberg Publishing Company, Inc. Each page has two page numbers. The number for the *Lionel Service Manual* is indicated by parentheses, e.g., (A-35). The number which applies to *Lionel Parts Lists and Exploded Diagrams* is above the parentheses, e.g., S18:1-3.

We recommend that readers with the *Lionel Service Manual* insert the pages according to the numbers in the parentheses. On the other hand, we recommend that readers with *Lionel Parts Lists and Exploded Diagrams* keep the pages as a set and insert them into a Supplement binder. Binders to match the 1970-1986 binder are available from Greenberg Publishing Company, Inc., for \$7.95 plus \$3.00 shipping and handling. A comprehensive index to the *Lionel Parts Lists and Exploded Diagrams* will be issued periodically, and will take the place of the index at the front of the original 1970-1986 manual.

Authorized by Lionel® Trains, Inc.

Published by Greenberg® Publishing Company, Inc.

Copyright © 1991 by Lionel Trains, Inc.

All rights reserved.

Reproduction of the whole or any part of the contents
without written permission is prohibited.

Manufactured in the United States of America.

Published by Greenberg Publishing Company, Inc.

7566 Main Street
Sykesville, MD 21784
(301) 795-7447

All rights reserved. No part of this book may be reproduced in any form or by any means, including electronic, photocopying or recording, or by any information storage system, without written permission of the publisher, except in the case of brief quotations used in critical articles and reviews.

Greenberg Publishing Company, Inc. publishes the world's largest selection of Lionel, American Flyer, LGB, Marx, Ives, and other toy train publications as well as a selection of books on model and prototype railroading, dollhouse building, and collectible toys. For a complete listing of current Greenberg publications, please call 1-800-533-6644 or write to Kalmbach Publishing, 21027 Crossroads Circle, Waukesha, Wisconsin 53187.

Greenberg Shows, Inc. sponsors *Greenberg's Great Train, Dollhouse and Toy Shows*, the world's largest of its kind. The shows feature extravagant operating train layouts, and a display of magnificent dollhouses. The shows also present a huge marketplace of model and toy trains, for HO, N, and Z Scales; Lionel O and Standard Gauges; and S and 1 Gauges; plus layout accessories and railroadians. They also offer a large selection of dollhouse miniatures and building materials, and collectible toys. Shows are scheduled along the East Coast each year from Massachusetts to Florida. For a list of our current shows please call (301) 795-7447 or write to Greenberg Publishing Company, Inc., 7566 Main Street, Sykesville, Maryland 21784 and request a show brochure.

Greenberg Auctions, a division of Greenberg Shows, Inc., offers nationally advertised auctions of toy trains and toys. Please contact our auction manager at (301) 795-7447 for further information.

ISBN 0-89778-277-1

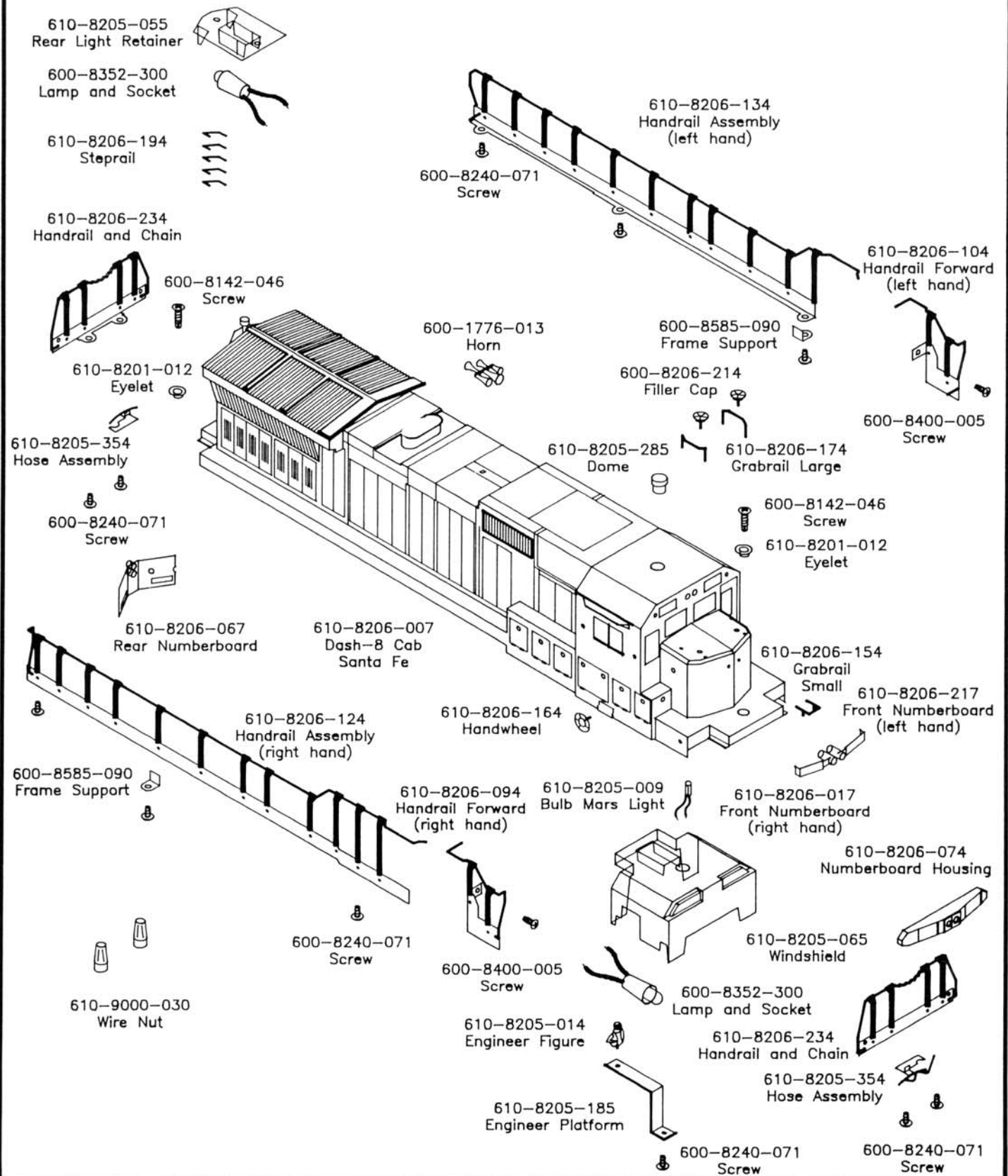
NUMERICAL LISTING

1-2768	S18:14-2, 3	1-8405	S18:11-1, 2
1-7606	S18:7-1, 2	1-8410	S18:11-1, 2
1-7607	S18:7-1, 2	1-9707	S18:7-3
1-7608	S18:7-1, 2	1-9709	S18:7-3
1-7610	S18:7-1, 2	6-12760	S18:14-1
1-7612	S18:7-1, 2	8-85000	S18:20-1, 2, 3
1-7613	S18:7-1, 2	8-85001	S18:20-1, 2, 3
1-8206	S18:1-1, 2, 3	8-85110	S18:20-4, 5, 6
1-8402	S18:11-1, 2		

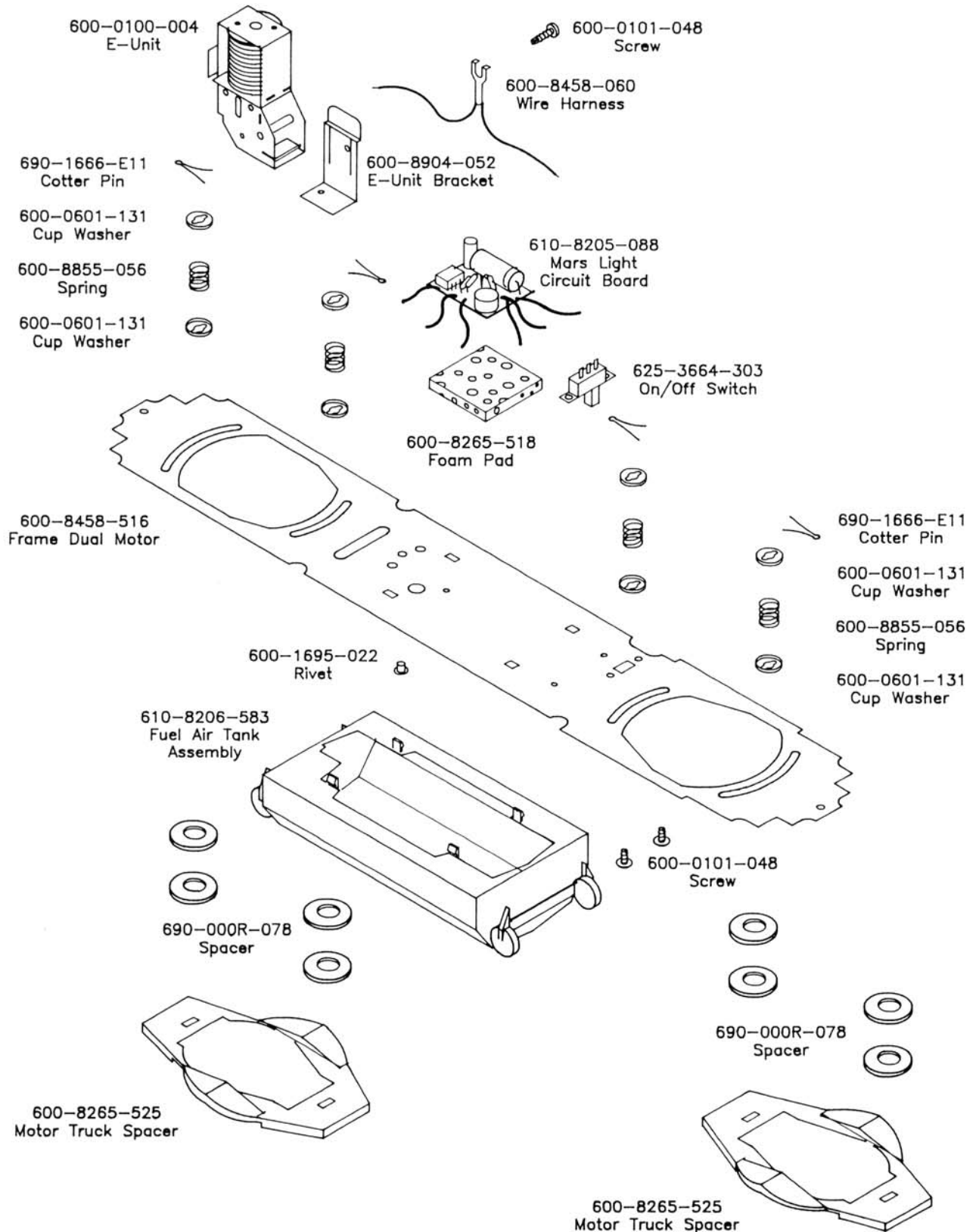
LIONEL SERVICE MANUAL BY LIONEL SERVICE

Description	Drawing
Diesel Engines and Electrics:	
Dash-8 40B 1-8206	(B-39), (B-39-2), (B-39-3)
Caboose:	
Square Window with Smoke 1-7606, 1-7607, 1-7608, 1-7610, 1-7612, 1-7613	(F-84)
Searchlight / Work Caboose 1-9707, 1-9709	(F-85)
Operating:	
Burro Crane 1-8402 1-8405 1-8410	(F-83), (F-83-2)
Accessories:	
Highway Flasher, Automatic 6-12760	(I-42),
Burning Switch Tower 1-2768	(I-43), (I-43-2)
Large Scale:	
GP-7/9 Diesels 8-85000, 8-85001	(M-11), (M-11-2), (M-11-3)
4-4-2 Steam Locomotives 8-85110	(M-12), (M-12-2), (M-12-3)

1-8206 SANTA FE DASH-8 40B Diesel Locomotive

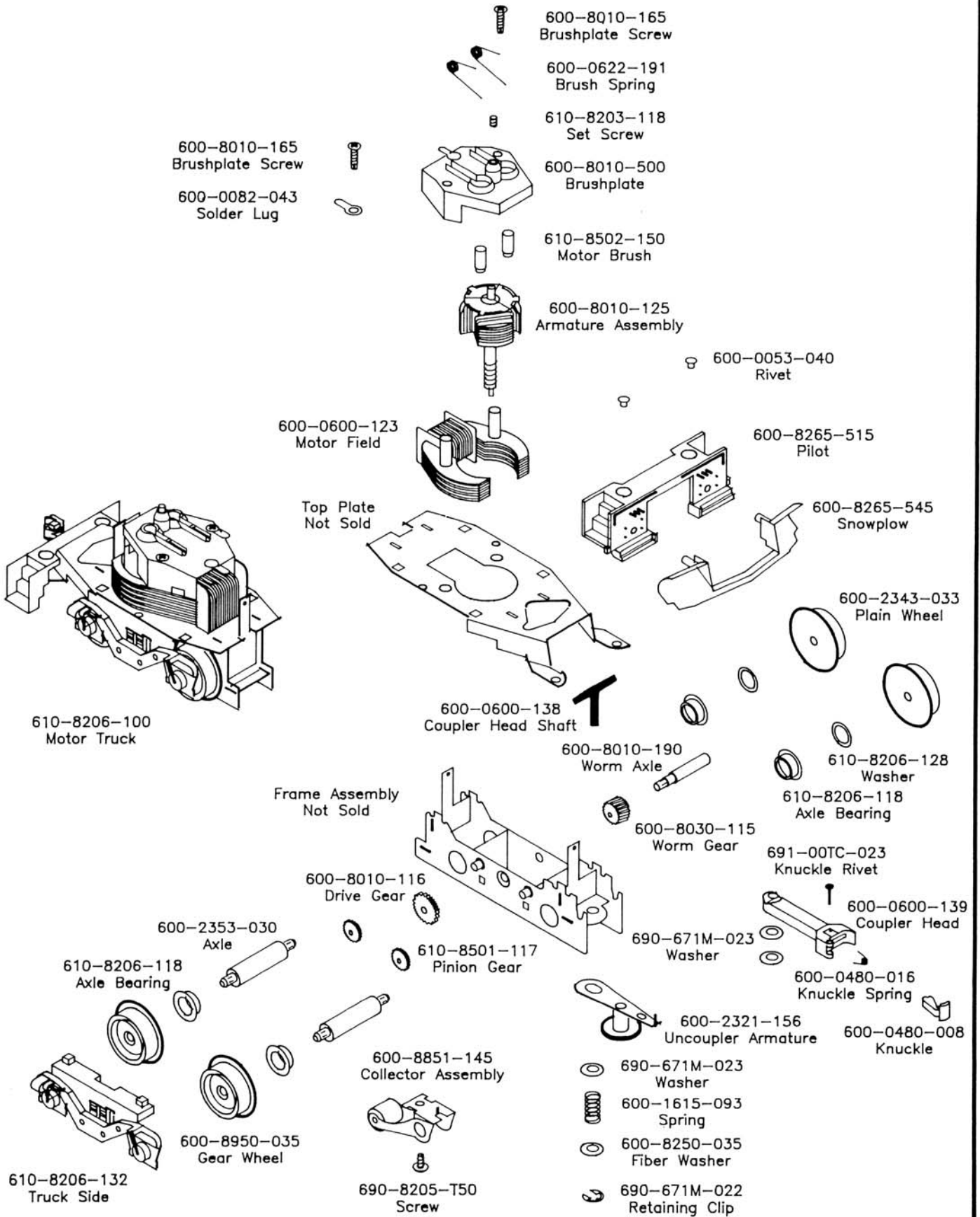


1-8206 SANTA FE DASH-8 40B Diesel Locomotive

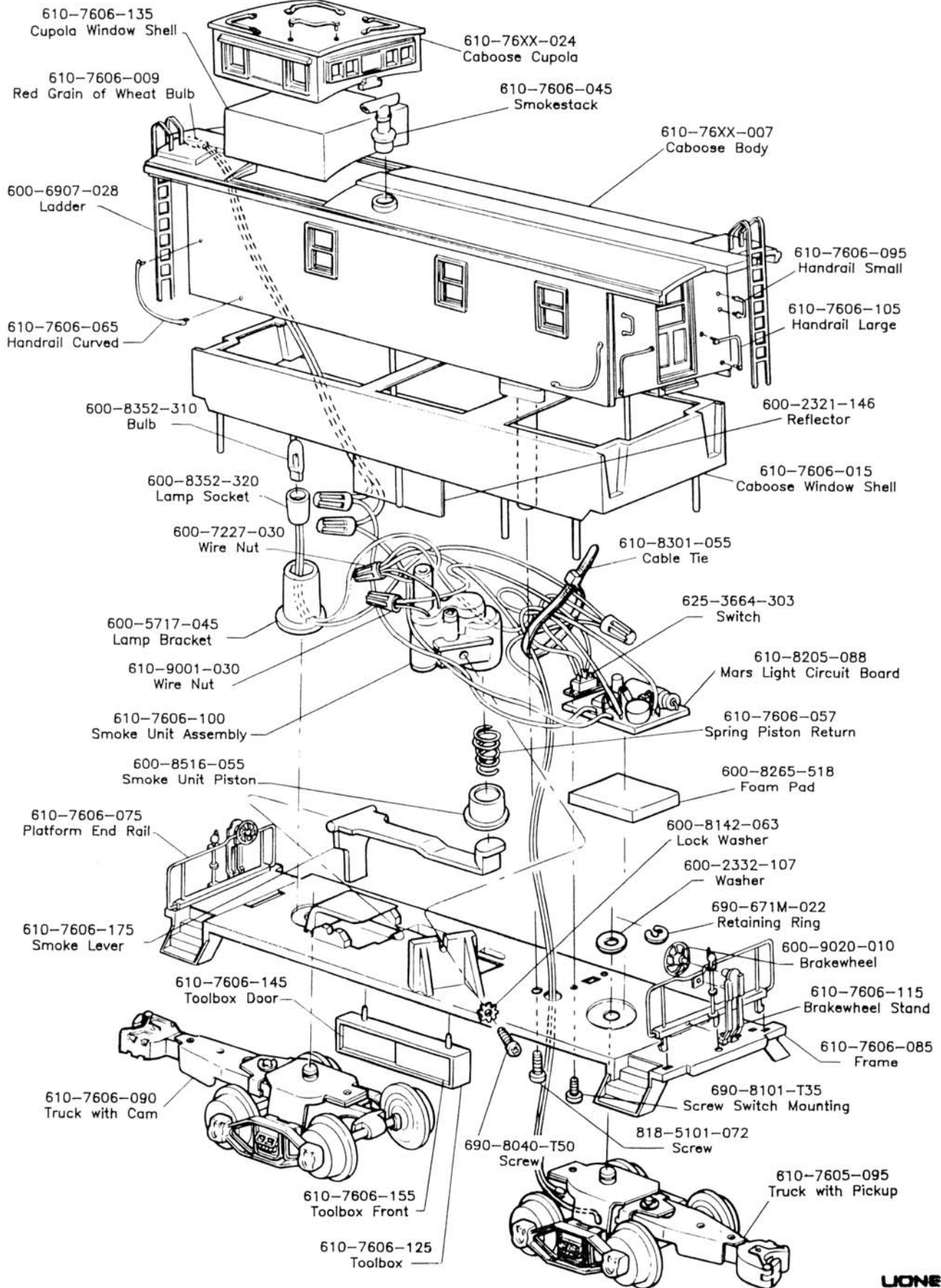


1-8206 SANTA FE DASH-8 40B Diesel Locomotive

(Page 3 of 3)



STANDARD "O" SQUARE WINDOW CABOOSE (With Smoke)



LIONEL

Additional service notes for the Standard Square Window Caboose.

This caboose applies to numbers 1-7606 New York Central, 1-7607 Reading, 1-7608 Chesapeake and Ohio, 1-7610 Wabash, 1-7612 Nickel Plate Road, and 1-7613 Southern.

Note: Caboosees 1-7606 and 1-7607 were of an earlier design.

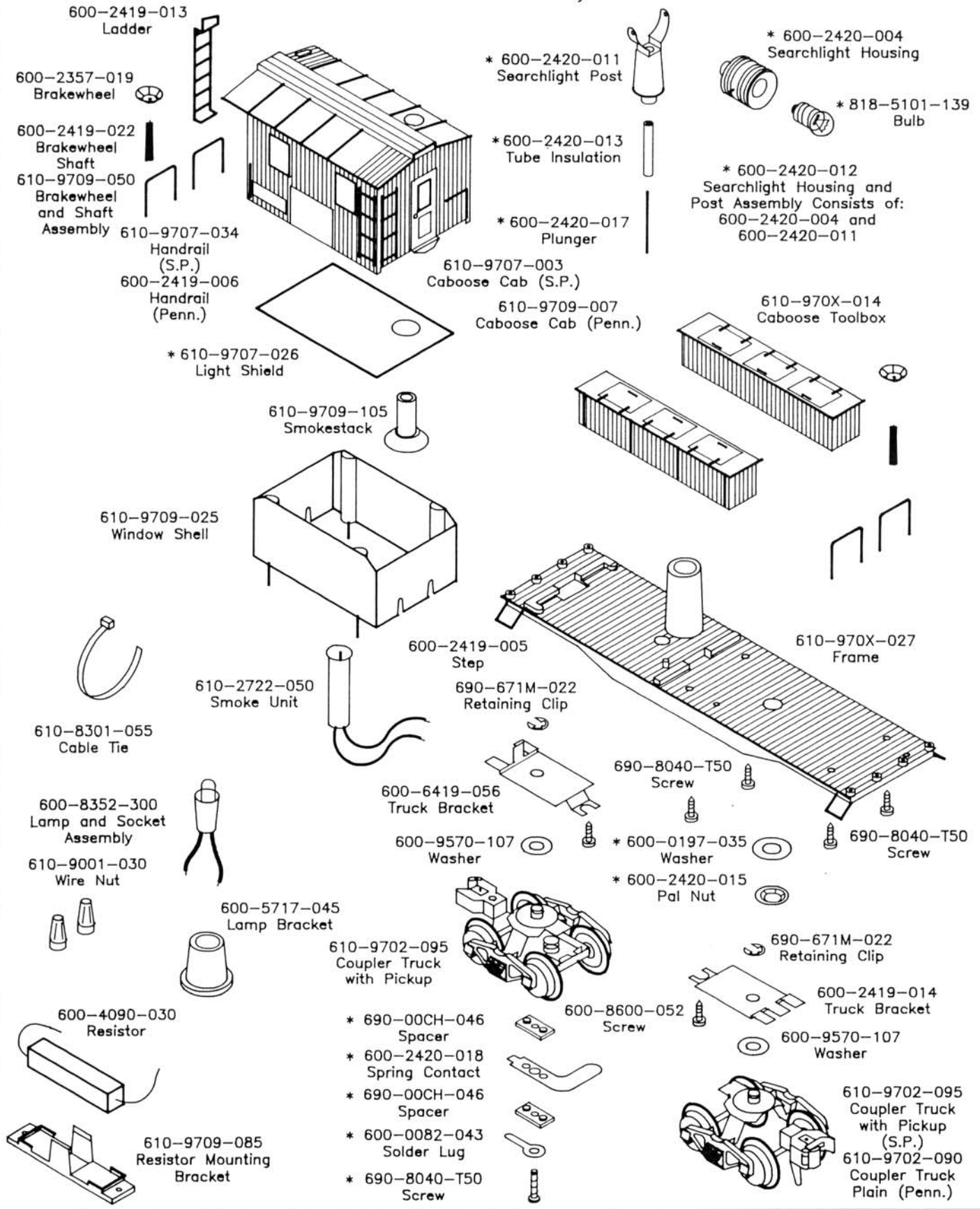
Part number 610-7606-125 had square pins that fit into the side of car frame. 610-7606-085 also had square notches in frame. Toolbox was then trapped between frame and caboose body.

1-7607 was also wired differently. Switch only turned off MARS light. In all later production switch turns off both MARS light and smoke unit. (Interior illumination will remain ON.)

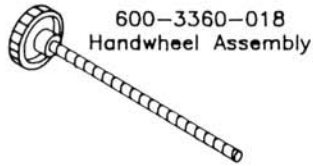
Drawing F-84 shows current wiring. When servicing earlier designs, change to current wiring. If it becomes necessary to replace toolbox or frame on 1-7606 or 1-7607, both parts must be changed to newer style.

1-9707 SOUTHERN PACIFIC SEARCHLIGHT CABOOSE 1-9709 PENNSYLVANIA WORK CABOOSE

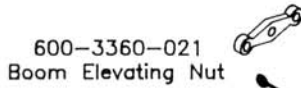
* Indicates used on 1-9707 only.



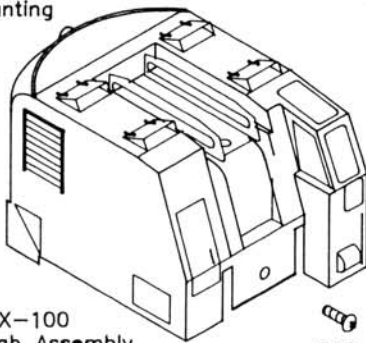
1-8402 LIONEL LINES BURRO CRANE
 1-8405 SANTA FE BURRO CRANE
 1-8410 PENNSYLVANIA BURRO CRANE



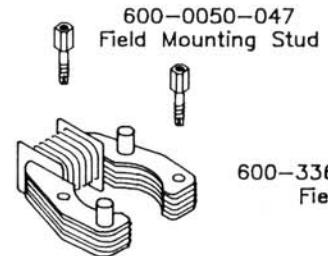
610-84XX-009
Boom Assembly
Includes: 600-2460-013 Pulley
600-3360-013 Rivet



600-8240-071
Screw Cab Mounting



600-8240-071
Screw Cab Mounting



600-8551-031
Screw
690-00WS-069
Lock Washer

610-8405-018
Set Screw

600-8040-171
Screw

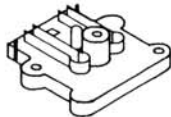


600-2332-109
Fiber Washer

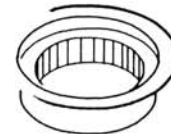
610-8402-041
Motor Base



610-8402-078
Brushplate Assembly



600-3360-042
Ring Gear



600-0050-102
Brushplate Bearing

600-0622-191
Brush Spring

600-8040-150
Motor Brush

600-3360-034
Cab Drive Lever



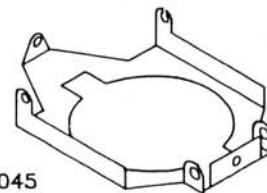
680-0464-505
Line



610-8402-037
Armature Assembly

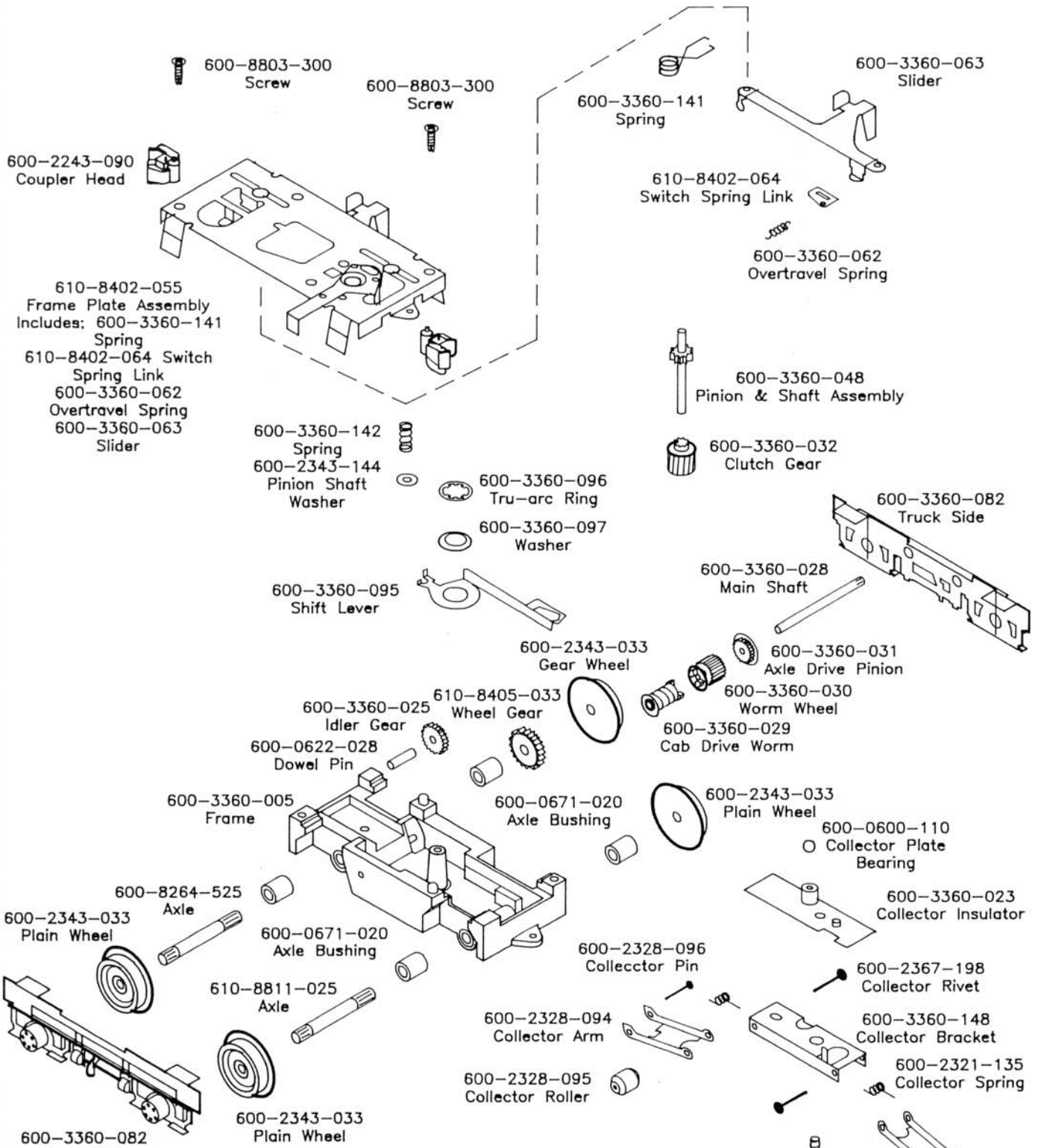


600-8402-045
Cab Plate Assembly
Includes 690-00SE-033 Eyelet

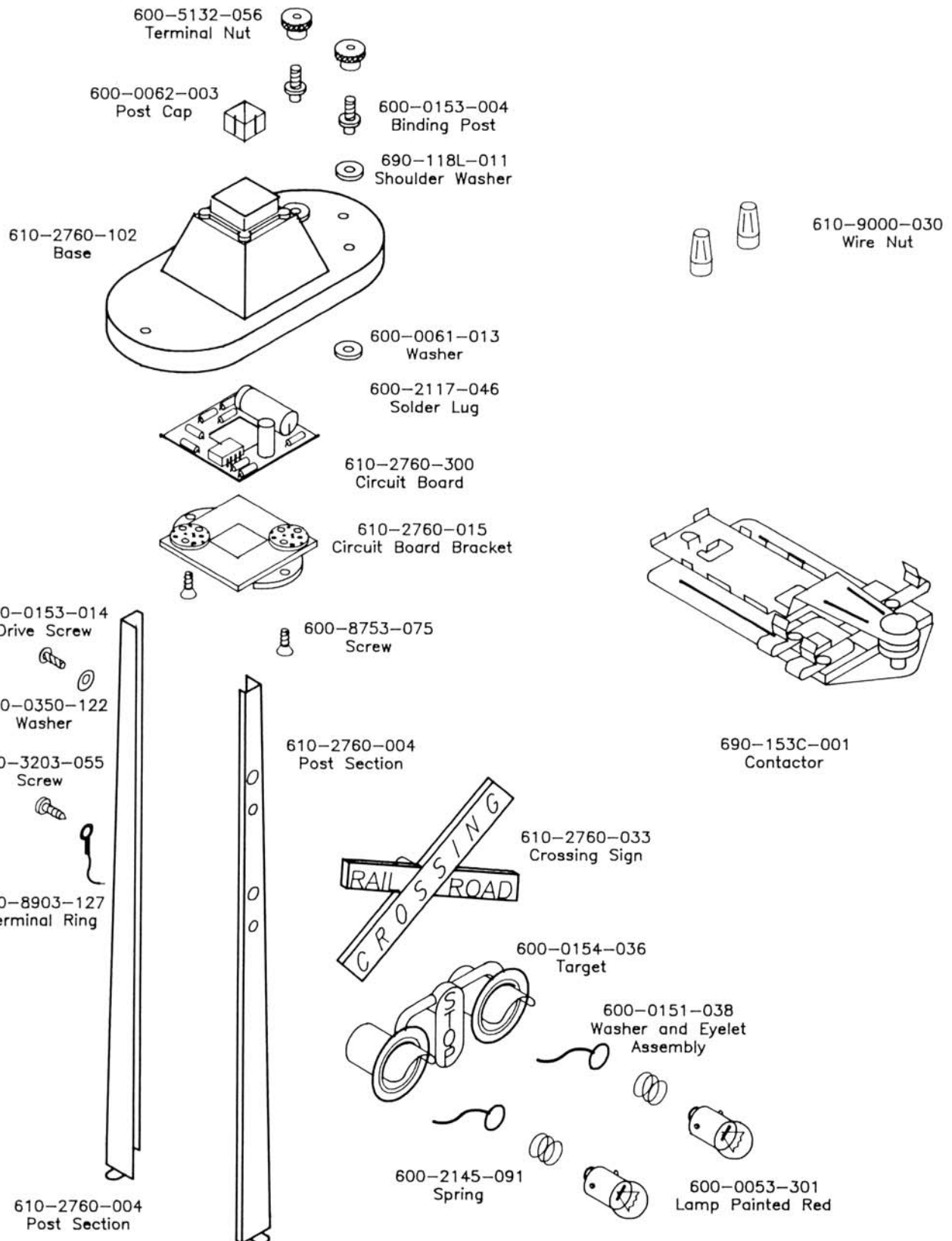


690-00SE-033
Eyelet

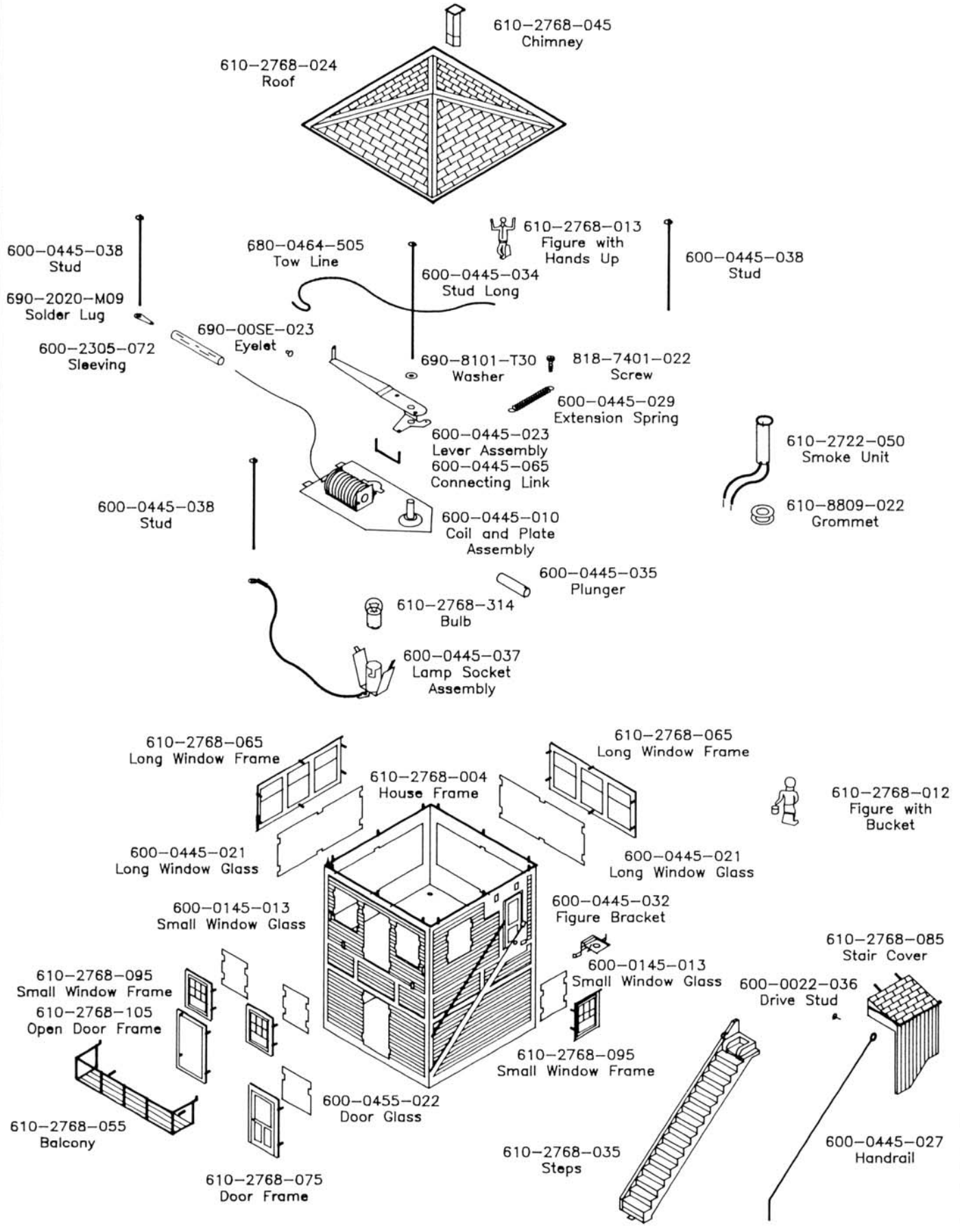
1-8402 LIONEL LINES BURRO CRANE
 1-8405 SANTA FE BURRO CRANE
 1-8410 PENNSYLVANIA BURRO CRANE



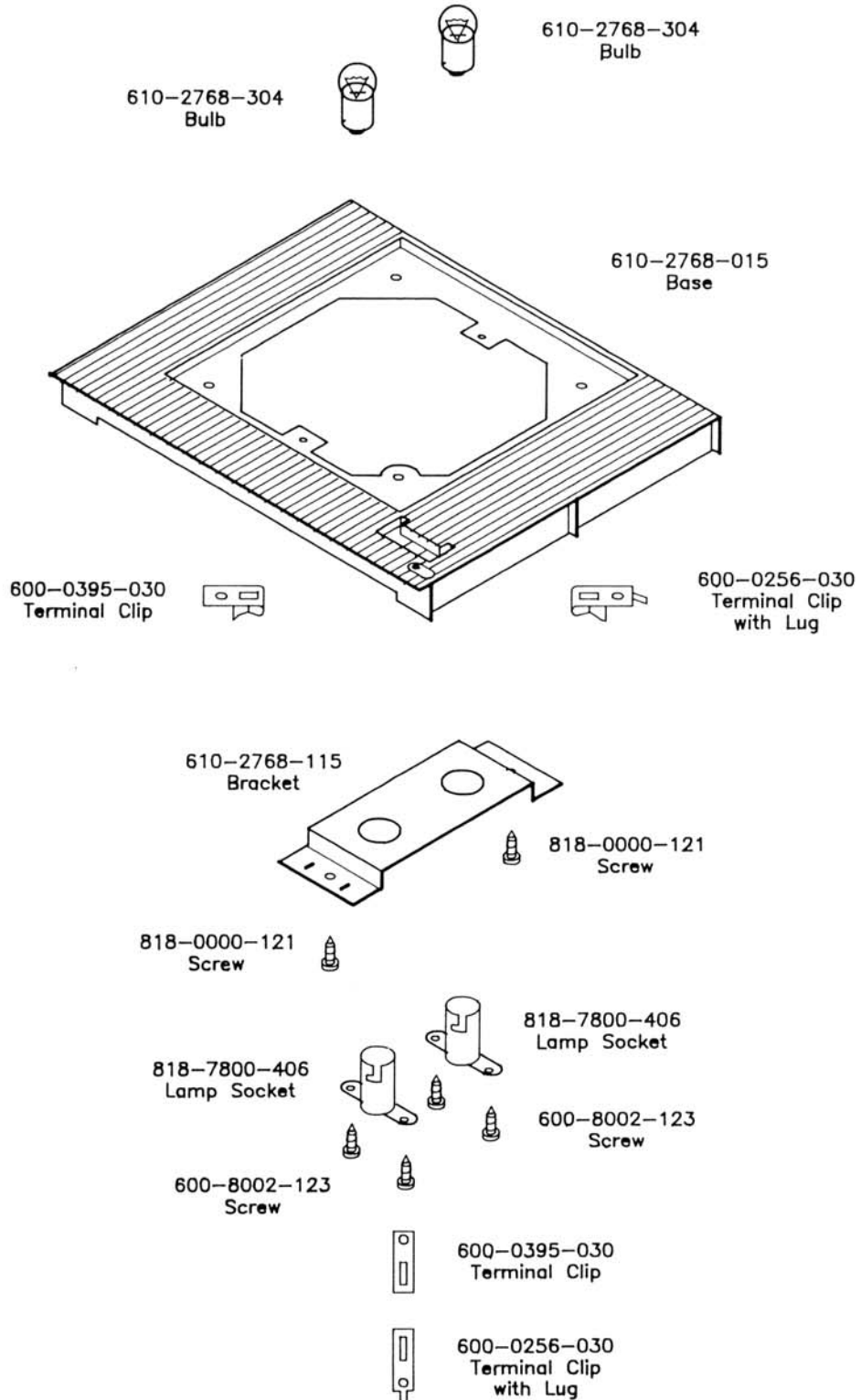
6-12760 AUTOMATIC HIGHWAY FLASHER



1-2768 BURNING SWITCH TOWER



1-2768 BURNING SWITCH TOWER



LARGE SCALE GP-7 AND GP-9 DIESEL LOCOMOTIVES

8-85000 Seaboard System GP-9

8-85001 Conrail GP-7

600-8352-300
Bulb and Socket

818-5000-495
Lights Bracket

610-9001-030
Wire Nut

818-5104-021
Strap

818-5110-045
Amplifier Board

818-0000-116
Screw Motor Truck Mounting

818-0000-304
Washer

818-0000-122
Screw Body Mounting

818-5000-525
Tank Detail

818-5000-715
D.C. VR Board

818-0000-108
Screw Board Mounting

600-8516-009
Bulb Grain of Wheat

818-0000-108
Screw Buss Bar Bracket Mounting

818-0000-116
Screw Weight Mounting

818-0000-107
Screw

818-5000-455
Buss Bar Bracket

818-0000-304
Washer

818-5000-559
Weight

818-5000-465
Speaker Bracket

818-5000-592
Speaker

610-9001-030
Wire Nut

818-0000-107
Screw Tank Detail

600-8002-123
Screw Switch Mounting

625-3664-303
Switch

610-9800-071
Screw Pot Bracket Mounting

610-8005-325
Pot Bracket

818-0000-116
Screw Motor Truck Mounting

818-0000-304
Washer

818-5000-475
Wire Clip

818-5000-514
Chassis Assembly

818-0000-122
Screw Body Mounting

610-9001-030
Wire Nut

818-5000-040
Circuit Board Rail Sounds

600-8516-009
Bulb Grain of Wheat

600-8352-300
Bulb and Socket

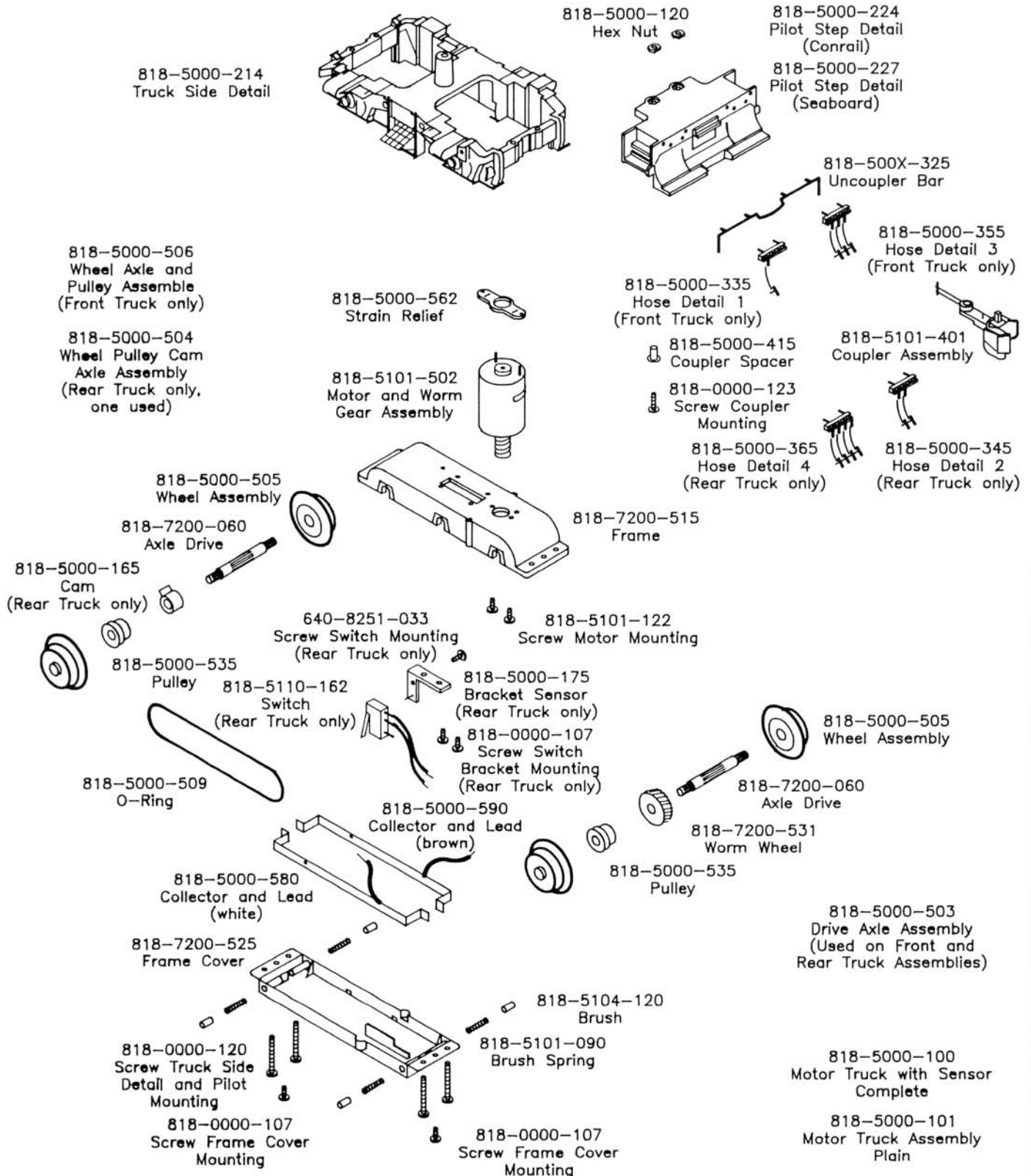
818-5000-495
Lights Bracket

610-9001-030
Wire Nut

LARGE SCALE GP-7 AND GP-9 DIESEL LOCOMOTIVES

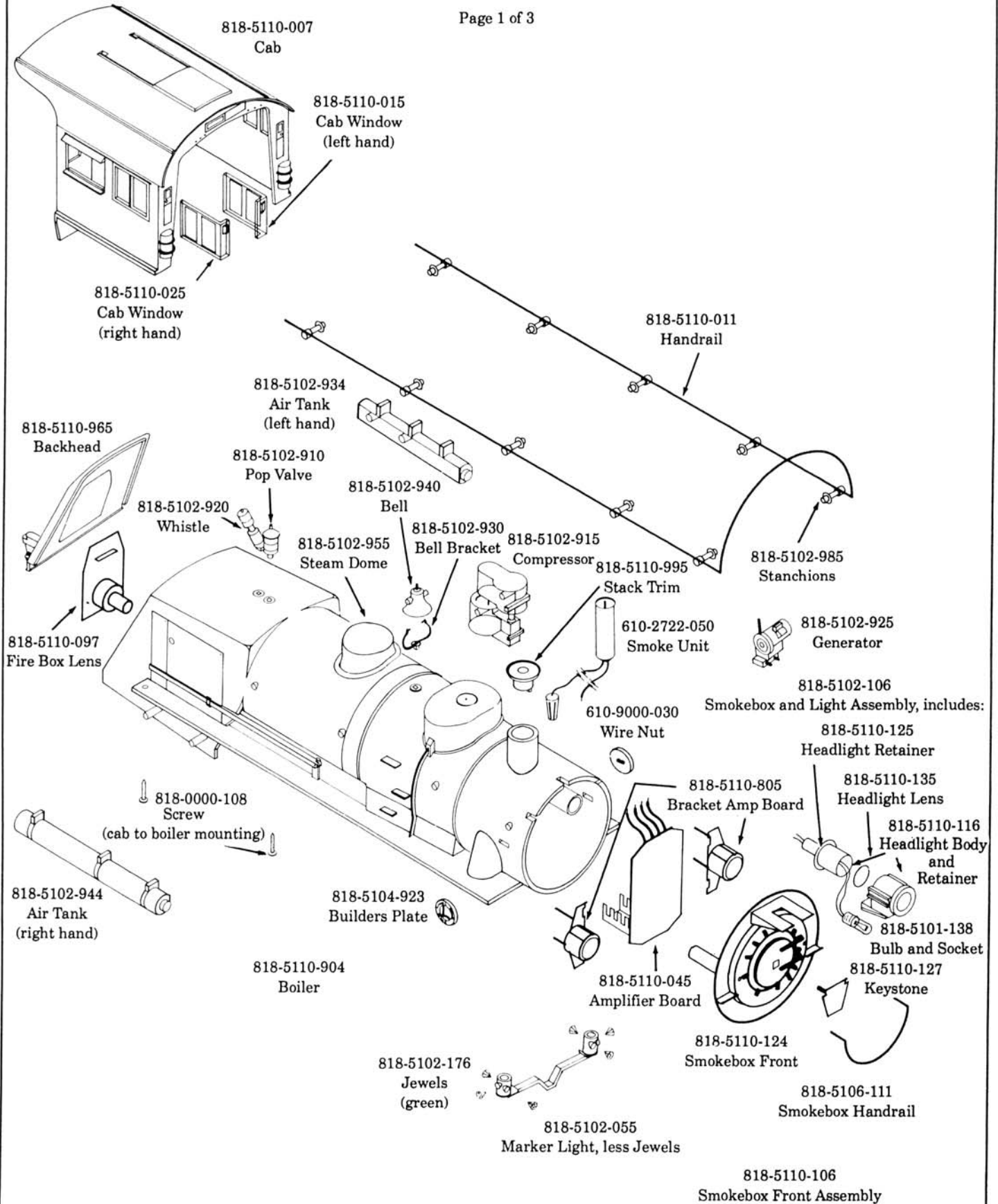
8-85000 Seaboard System GP-9

8-85001 Conrail GP-7



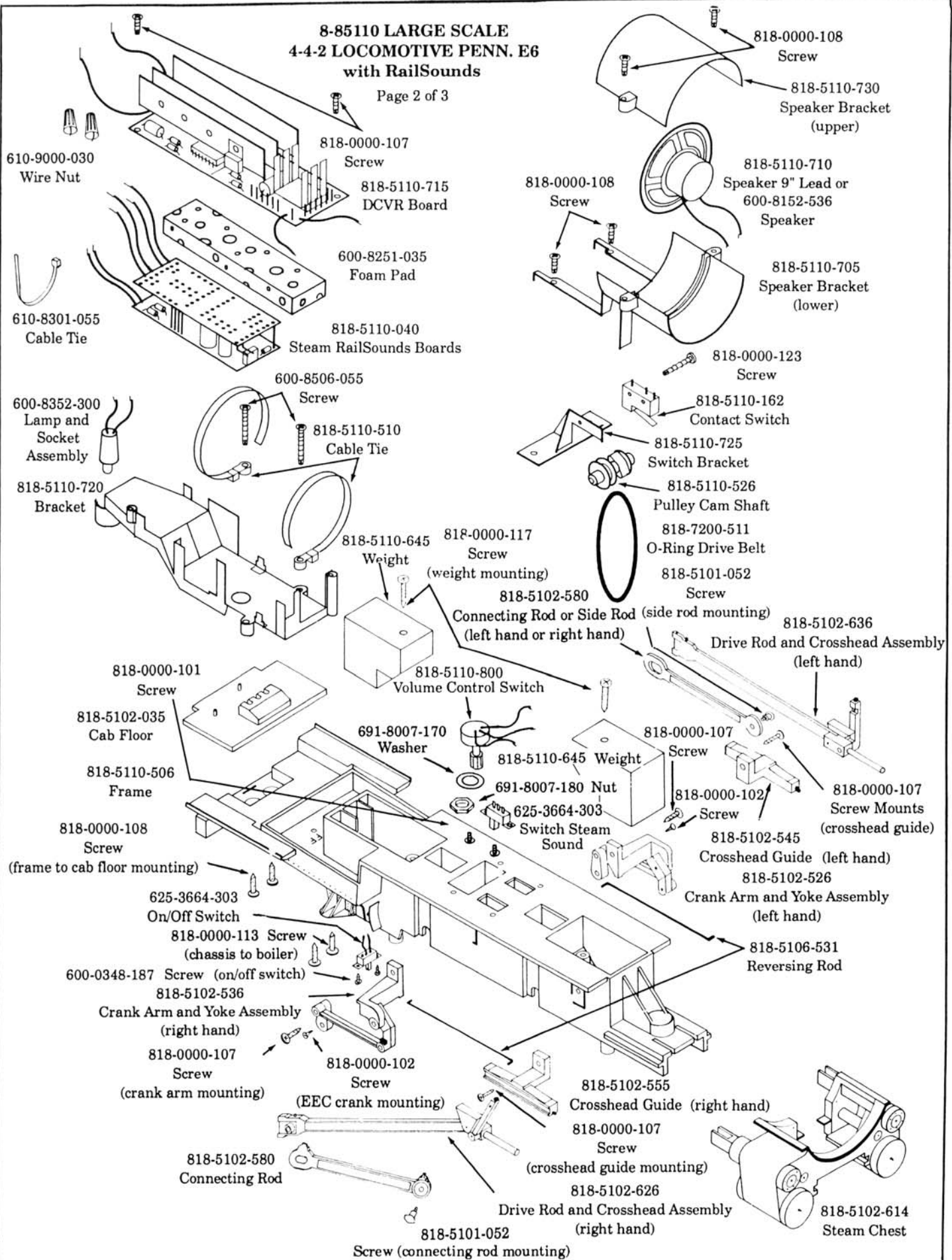
8-85110 LARGE SCALE 4-4-2 LOCOMOTIVE PENN. E6 with RailSounds

Page 1 of 3



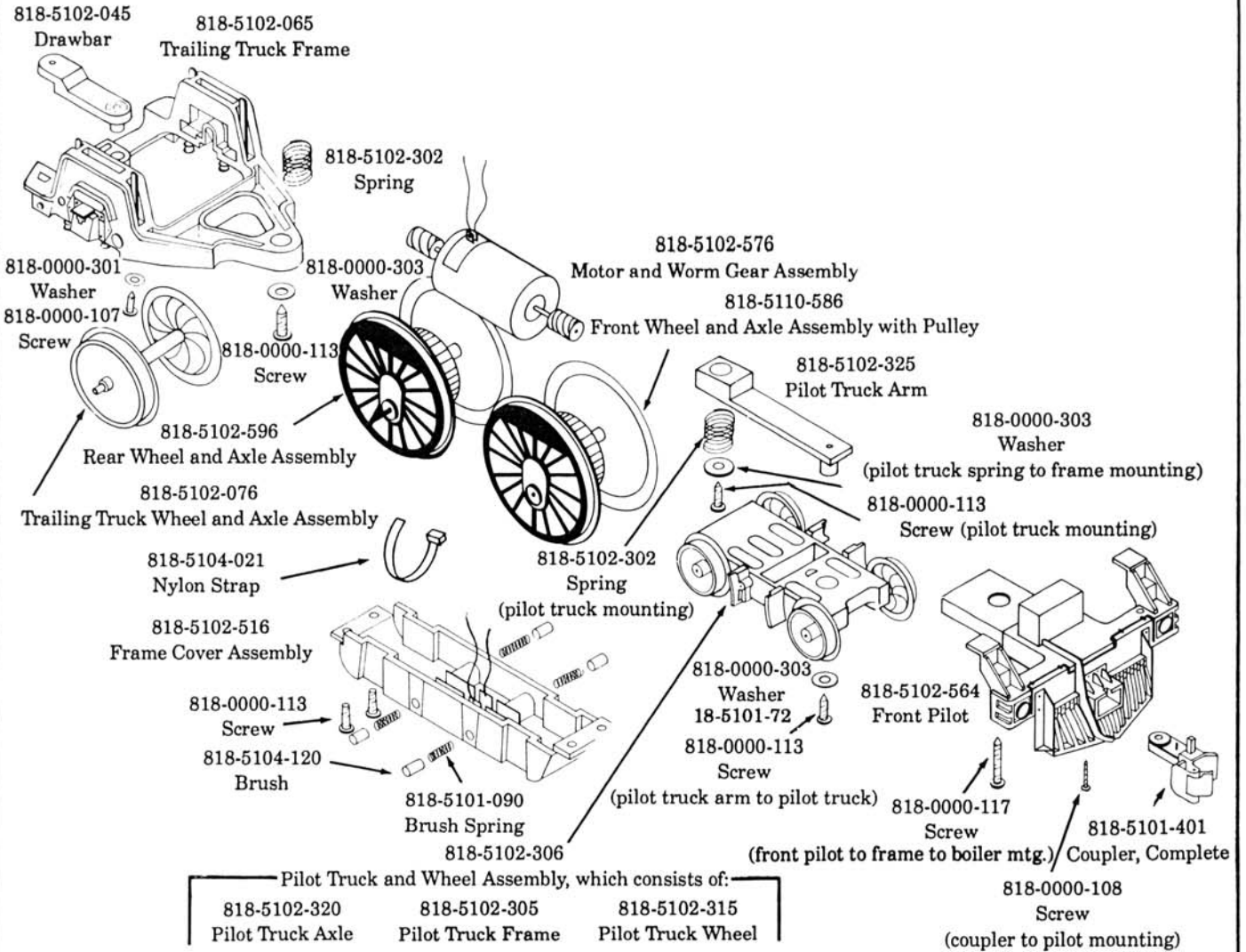
**8-85110 LARGE SCALE
4-4-2 LOCOMOTIVE PENN. E6
with RailSounds**

Page 2 of 3



**8-85110 LARGE SCALE 4-4-2 LOCOMOTIVE PENN. E6
with RailSounds**

818-5106-400
Trailing Truck Assembly

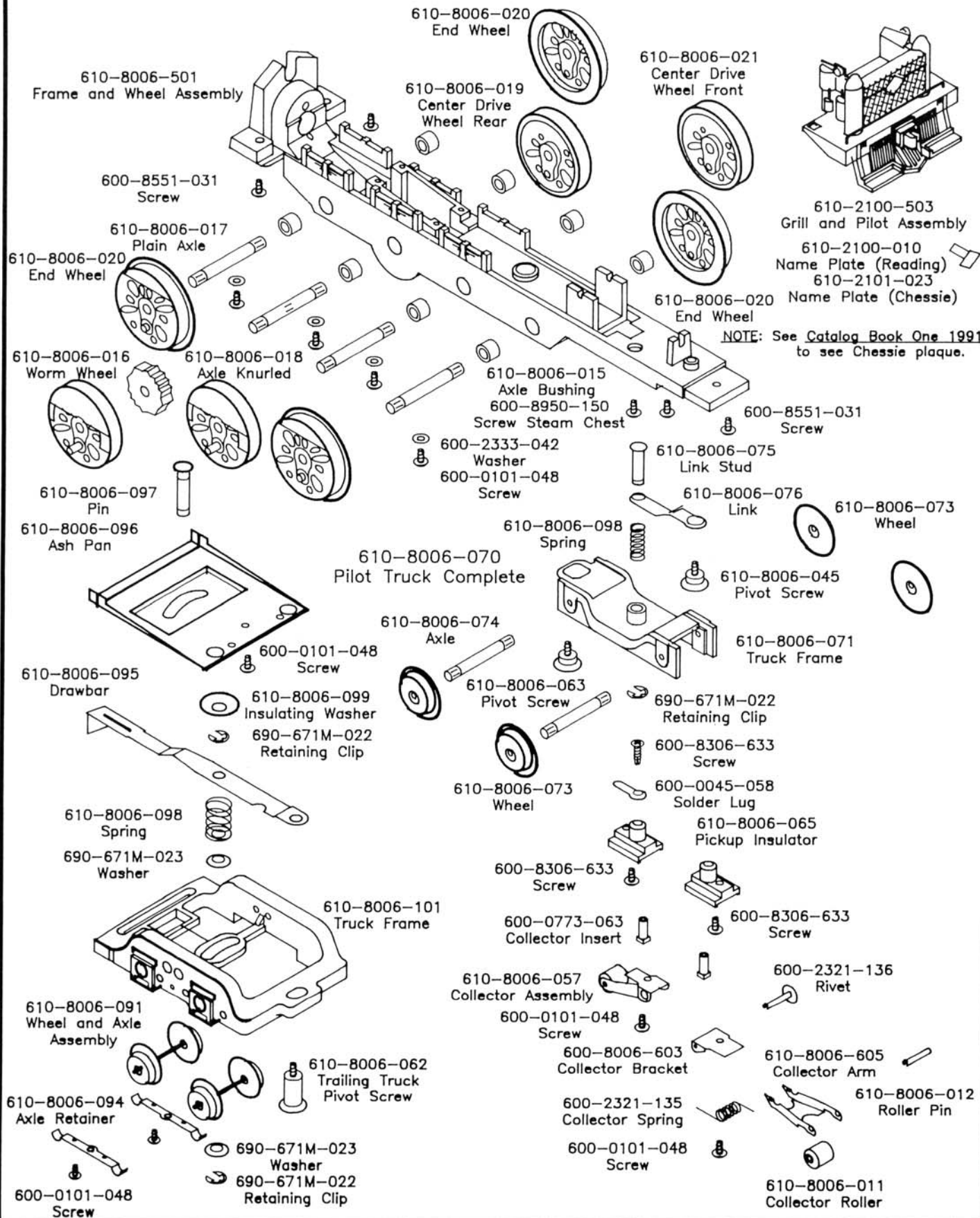


T-1 STEAM LOCOMOTIVE

1-8006 Reading

1-8011 Chessie System

(Page 3 of 3)



L-3 STEAM LOCOMOTIVE 1-8009 New York Central

