



PARTS LISTS AND EXPLODED DIAGRAMS

SUPPLEMENT 20

By Gary T. Svehar

Edited by Cindy Lee Floyd

*Diagrams by Steven Gugel and
Lionel Trains, Inc.*

Notice to the User

This supplement is designed to fit with two different publications, the *Lionel Service Manual* by Lionel Trains, Inc., and *Lionel Parts Lists and Exploded Diagrams* published by Greenberg Publishing Company, Inc. Each page has two page numbers. The number for the *Lionel Service Manual* is indicated by parentheses, e.g., (A-35). The number which applies to *Lionel Parts Lists and Exploded Diagrams* is above the parentheses, e.g., S20:1-3.

We recommend that readers with the *Lionel Service Manual* insert the pages according to the numbers in the parentheses. On the other hand, we recommend that readers with *Lionel Parts Lists and Exploded Diagrams* keep the pages as a set and insert them into a Supplement binder. Binders to match the 1970-1986 binder are available from Kalmbach Publishing, for \$7.95 plus \$3.00 shipping and handling. Please call 1-800-533-6464 to place your order. A comprehensive index to the *Lionel Parts Lists and Exploded Diagrams* will be issued periodically, and will take the place of the index at the front of the original 1970-1986 manual.

Authorized by Lionel® Trains, Inc.

Published by Greenberg® Publishing Company, Inc.

Copyright © 1992 by Lionel Trains, Inc.

All rights reserved.

Greenberg Publishing Company, Inc.
7566 Main Street
Sykesville, Maryland 21784
(410) 795-7447

Manufactured in the United States of America

All rights reserved. No part of this book may be reproduced in any form or by any means, including electronic, photocopying or recording, or by any information storage system, without written permission of the publisher, except in the case of brief quotations used in critical articles and reviews.

Greenberg Publishing Company, Inc. publishes the world's largest selection of Lionel, American Flyer, LGB, Marx, Ives, and other toy train publications as well as a selection of books on model and prototype railroading, dollhouse building, and collectible toys. For a complete listing of current Greenberg publications, please call 1-800-533-6644 or write to Kalmbach Publishing, 21027 Crossroads Circle, Waukesha, Wisconsin 53187.

Greenberg Shows, Inc. sponsors *Greenberg's Great Train, Dollhouse and Toy Shows*, the world's largest of its kind. The shows feature extravagant operating train layouts, and a display of magnificent dollhouses. The shows also present a huge marketplace of model and toy trains, for HO, N, and Z Scales; Lionel O and Standard Gauges; and S and 1 Gauges; plus layout accessories and railroading. They also offer a large selection of dollhouse miniatures and building materials, and collectible toys. Shows are scheduled along the East Coast each year from Massachusetts to Florida. For a list of our current shows please call (410) 795-7447 or write to Greenberg Shows, Inc., 7566 Main Street, Sykesville, Maryland 21784 and request a show brochure.

Greenberg Auctions, a division of Greenberg Shows, Inc., offers nationally advertised auctions of toy trains and toys. Please contact our auction manager at (410) 795-7447 for further information.

ISBN 0-89778-300-X

INDEX TO LIONEL PARTS LISTS AND EXPLODED DIAGRAMS SUPPLEMENT 20

ALPHABETICAL INDEX

O AND O27 GAUGES

Diesel Engines and Electrics

GP-38 S20:1-1, 2, 3
1-8812 1-8816

F-3 A Unit Diesel Power S20:1-4
1-8100 1-8104

Dummy Units

F-3 A Unit Dummy with RailSounds S20:2-1, 2
1-8102 1-8106

F-3 B Unit Diesel Dummy S20:2-3
1-8101 1-8103 1-8105

Steam Locomotives

700E Hudson S20:3-1, 2, 3, 4
1-8005

Tenders

700E Hudson S20:4-1, 2
691-8005-T01

Passenger Cars

Streamlined Baggage Car S20:12-1, 2
1-6016 1-6022 1-6033
1-6034 1-6042

Streamlined Combo Car S20:12-3, 4
1-6009 1-6013 1-6017
1-6027 1-6035 1-6043

Streamlined Dining Car S20:12-5, 6
1-6024 1-6031 1-6041
1-6048 1-6049

Streamlined Observation Car S20:12-7, 8
1-6003 1-6015 1-6021
1-6030 1-6039 1-6047

Streamlined Passenger Car S20:12-9, 10
1-6001 1-6002 1-6018
1-6020 1-6023 1-6028
1-6029 1-6036 1-6038
1-6044 1-6046

Streamlined Vista Dome Car S20:12-11, 12
1-6000 1-6014 1-6019
1-6037 1-6045

NUMERICAL LISTING

1-6000	S20:12-11, 12	1-6036	S20:12-9, 10
1-6001	S20:12-9, 10	1-6037	S20:12-11, 12
1-6002	S20:12-9, 10	1-6038	S20:12-9, 10
1-6003	S20:12-7, 8	1-6039	S20:12-7, 8
1-6009	S20:12-3, 4	1-6041	S20:12-5, 6
1-6013	S20:12-3, 4	1-6042	S20:12-1, 2
1-6014	S20:12-11, 12	1-6043	S20:12-3, 4
1-6015	S20:12-7, 8	1-6044	S20:12-9, 10
1-6016	S20:12-1, 2	1-6045	S20:12-11, 12
1-6017	S20:12-3, 4	1-6046	S20:12-9, 10
1-6018	S20:12-9, 10	1-6047	S20:12-7, 8
1-6019	S20:12-11, 12	1-6048	S20:12-5, 6
1-6020	S20:12-9, 10	1-6049	S20:12-5, 6
1-6021	S20:12-7, 8	1-8005	S20:3-1, 2, 3, 4
1-6022	S20:12-1, 2	1-8100	S20:1-4
1-6023	S20:12-9, 10	1-8101	S20:2-3
1-6024	S20:12-5, 6	1-8102	S20:2-1, 2
1-6027	S20:12-3, 4	1-8103	S20:2-3
1-6028	S20:12-9, 10	1-8104	S20:1-4
1-6029	S20:12-9, 10	1-8105	S20:2-3
1-6030	S20:12-7, 8	1-8106	S20:2-1, 2
1-6031	S20:12-5, 6	1-8812	S20:1-1, 2, 3
1-6033	S20:12-1, 2	1-8816	S20:1-1, 2, 3
1-6034	S20:12-1, 2	691-8005-T01	S20:4-1, 2
1-6035	S20:12-3, 4		

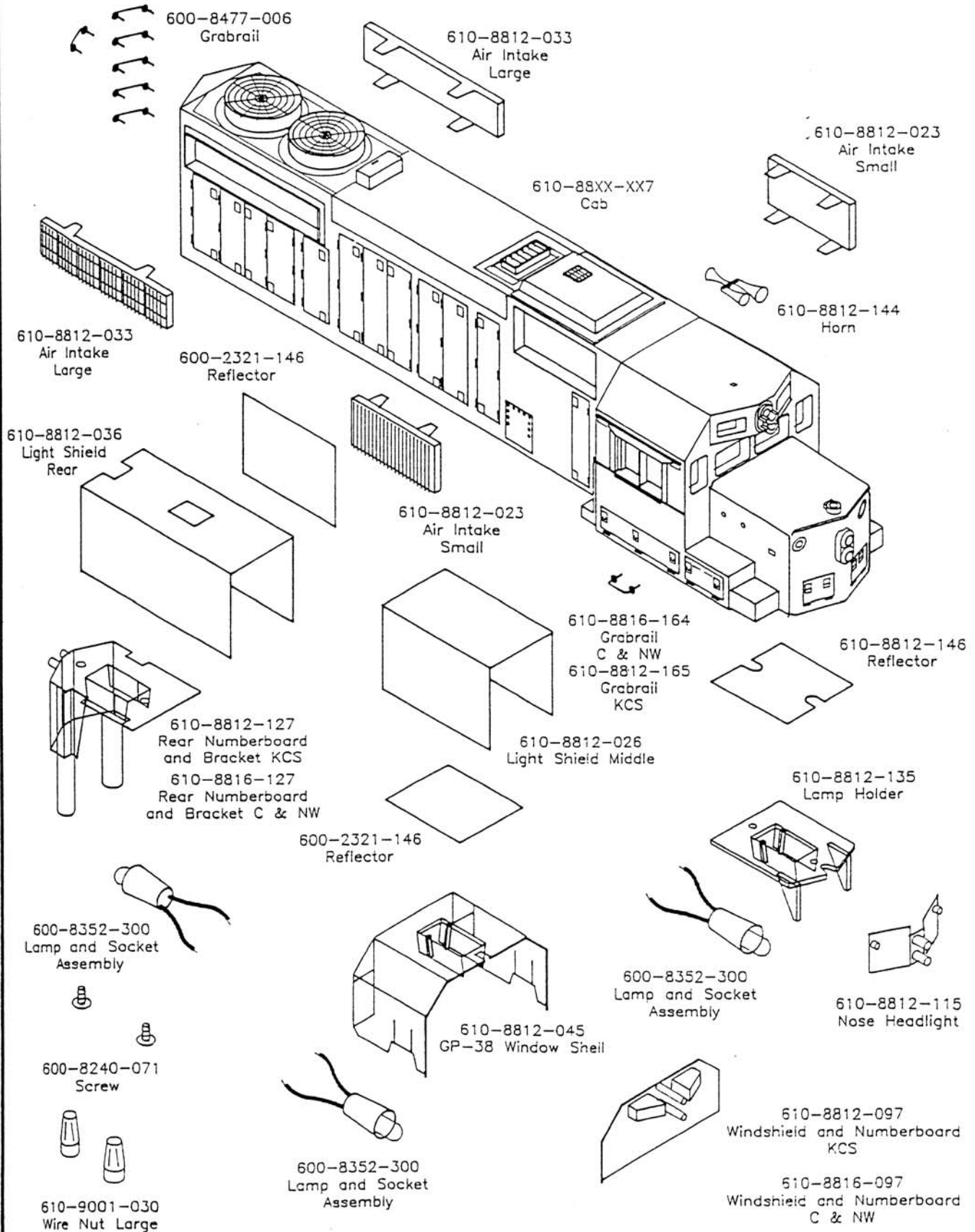
LIONEL SERVICE MANUAL

BY LIONEL SERVICE

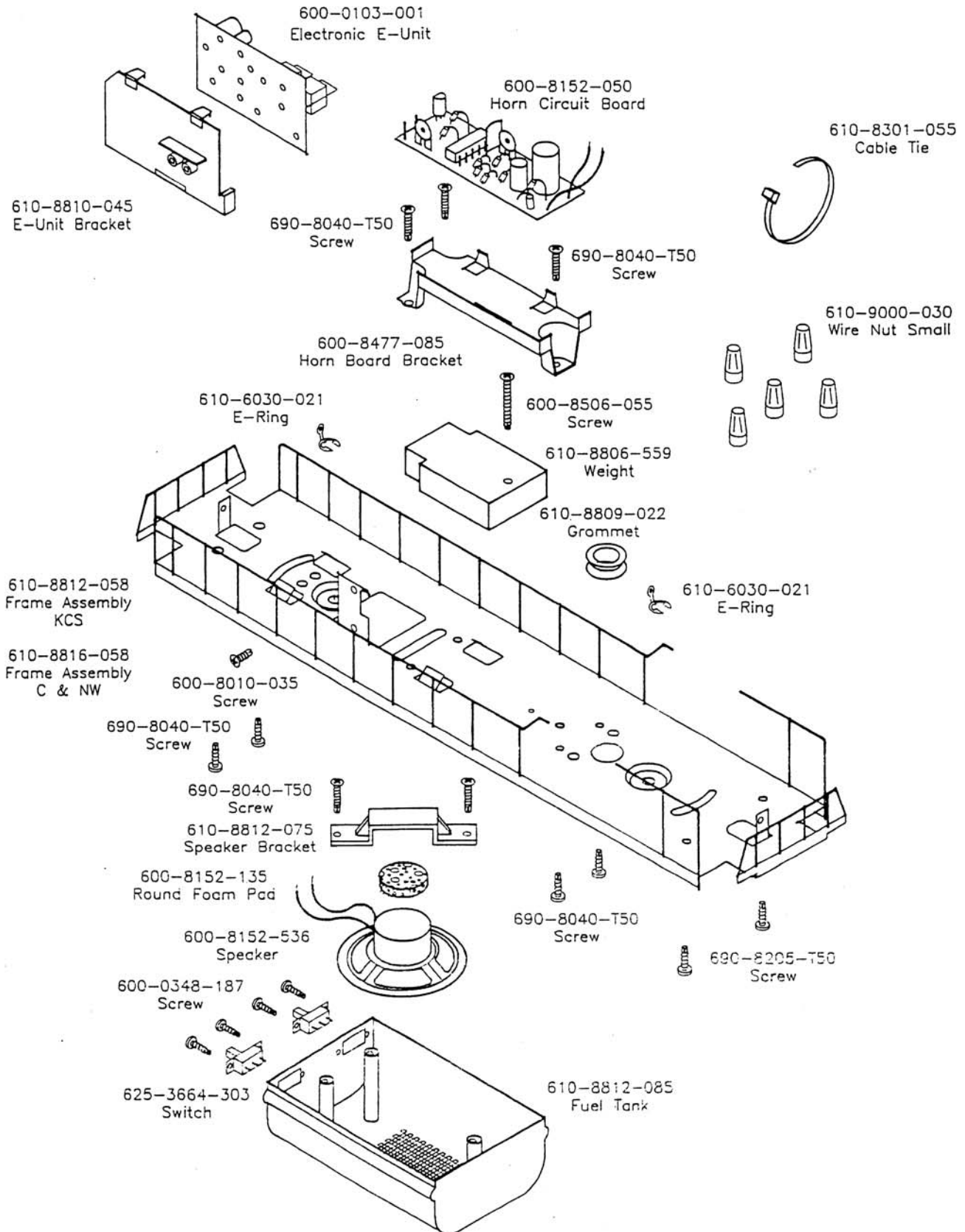
Supplement 20

Description	Drawing
Steam Locomotives:	
700E Hudson	(A-47), (A-47-2), (A-47-3), (A-47-4)
1-8005	
Diesel Engines and Electrics:	
GP-38	(B-41), (B-41-2), (B-41-3)
1-8312, 1-8816	
F-3 A Unit Diesel Power	(B-42)
1-8100, 1-8104	
Tenders:	
700E Hudson	(C-30), (C-30-2)
691-8005-T01	
Dummy Units:	
F-3 A Unit Diesel Dummy with RailSounds	(C-31), (C-31-2)
1-8102, 1-8106	
F-3 B Unit Diesel Dummy	(C-32)
1-8101, 1-8103, 1-8105	
Passenger Cars:	
Streamlined Baggage Car	(F-89), (F-89-2)
1-6016, 1-6022, 1-6033, 1-6034, 1-6042	
Streamlined ComWE bo Car	(F-90), (F-90-2)
1-6009, 1-6013, 1-6017, 1-6027, 1-6035, 1-6043	
Streamlined Dining Car	(F-91), (F-91-2)
1-6024, 1-6031, 1-6041, 1-6048, 1-6049	
Streamlined Passenger Car	(F-92), (F-92-2)
1-6001, 1-6002, 1-6018, 1-6020, 1-6023, 1-6028, 1-6029, 1-6036, 1-6038, 1-6044, 1-6046	
Streamlined Vista Dome Car	(F-93), (F-93-2)
1-6000, 1-6014, 1-6019, 1-6037, 1-6045	
Streamlined Observation Car	(F-94), (F-94-2)
1-6003, 1-6015, 1-6021, 1-6030, 1-6039, 1-6047	

1-8812 KANSAS CITY SOUTHERN GP-38 1-8816 CHICAGO AND NORTHWESTERN GP-38 DIESEL LOCOMOTIVE

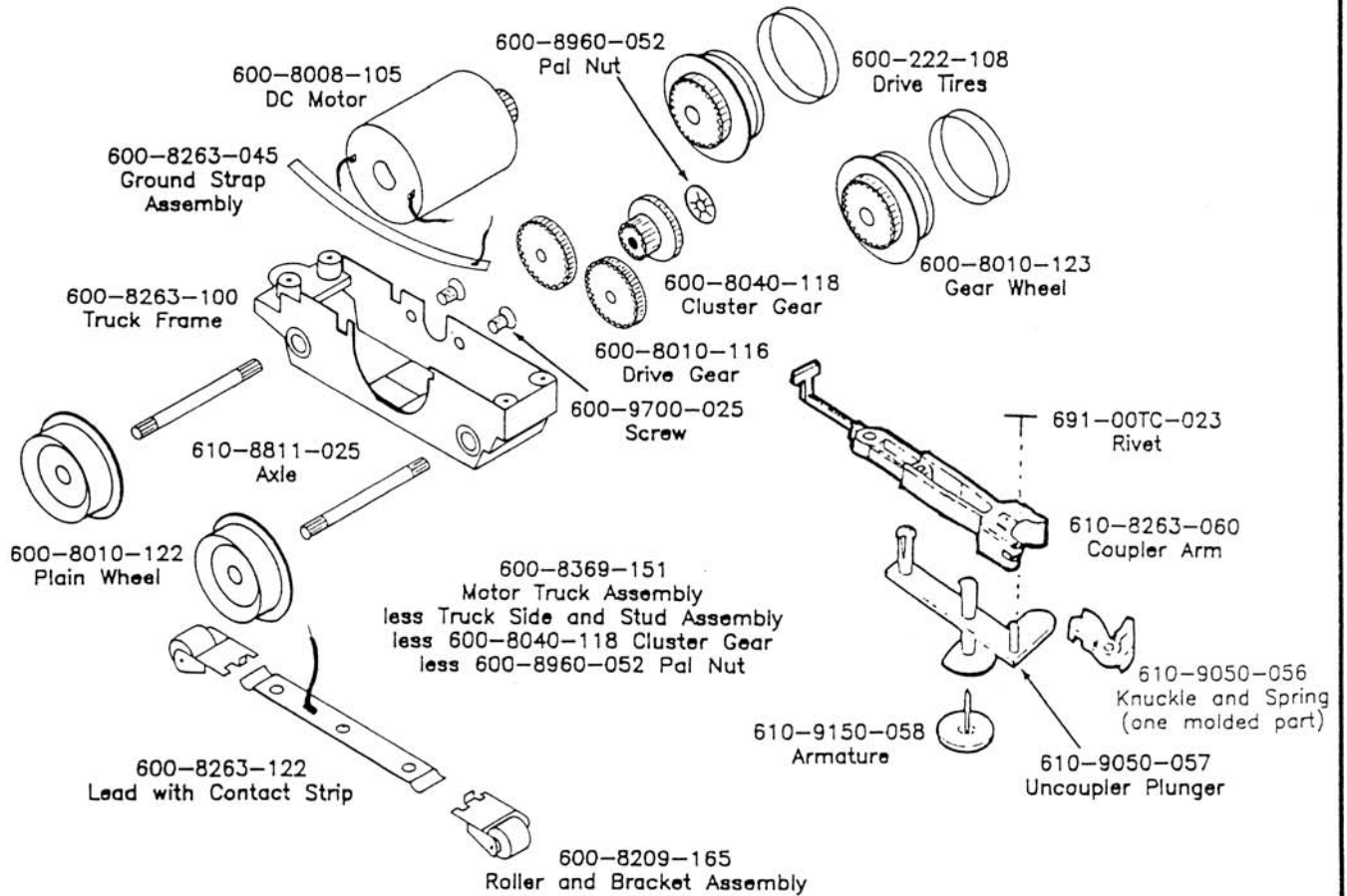
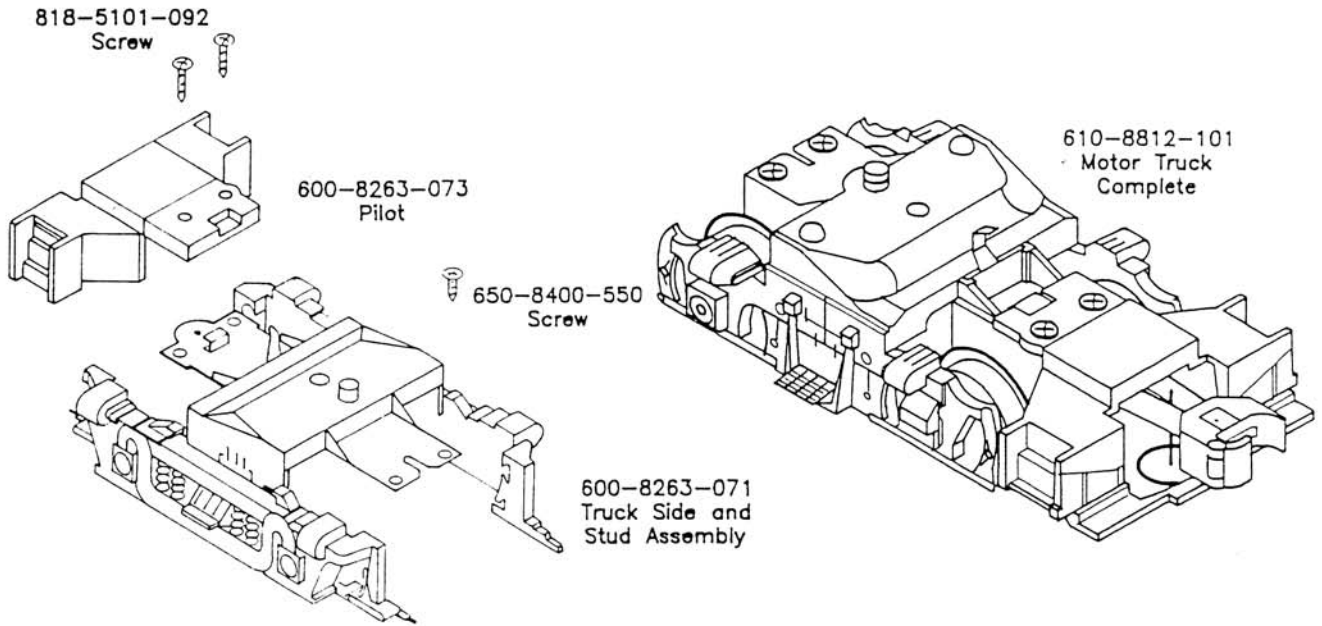


1-8812 KANSAS CITY SOUTHERN GP-38
 1-8816 CHICAGO AND NORTHWESTERN GP-38
 DIESEL LOCOMOTIVE



1-8812 KANSAS CITY SOUTHERN GP-38
 1-8816 CHICAGO AND NORTHWESTERN GP-38
 DIESEL LOCOMOTIVE

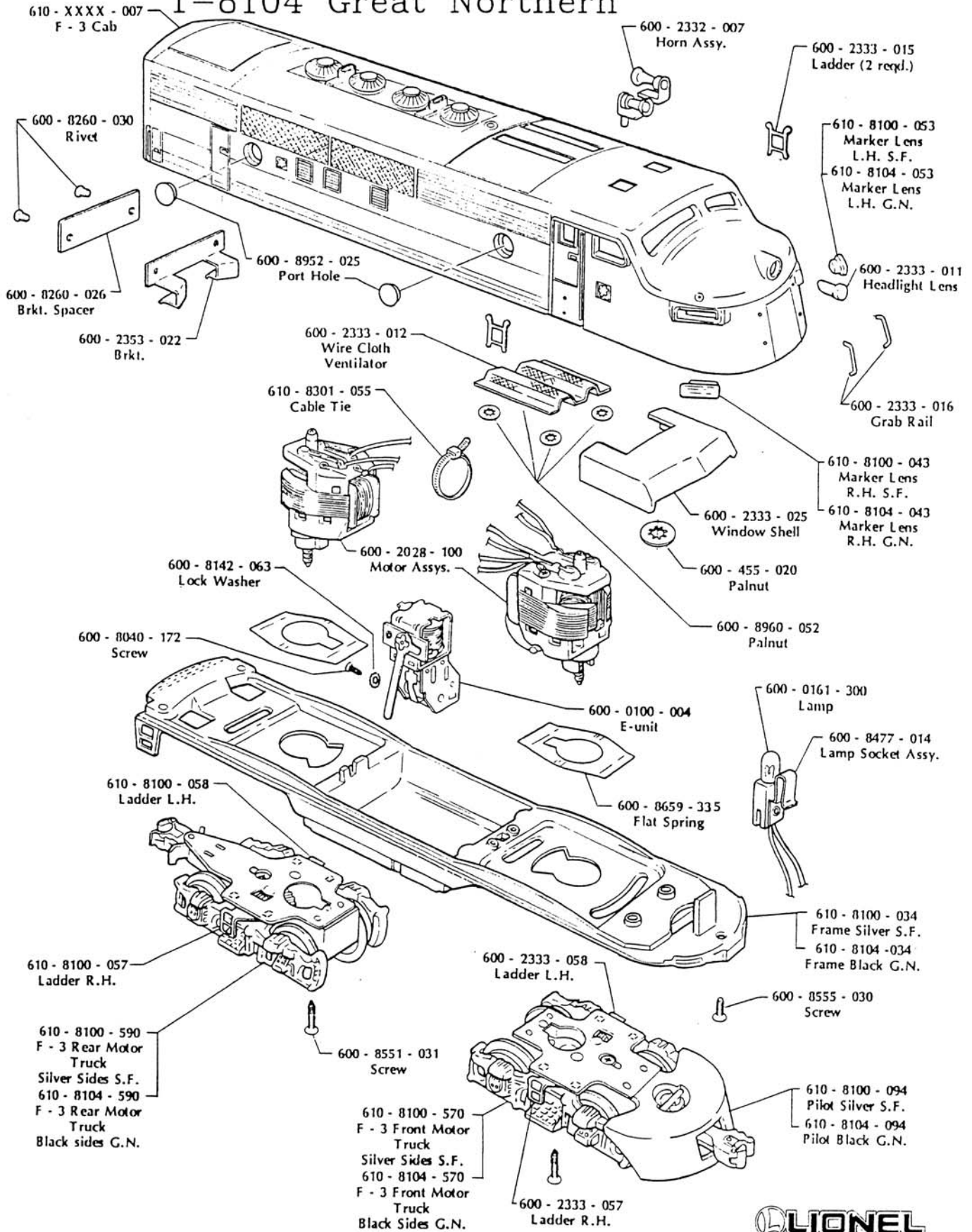
(Page 3 of 3)



F-3 A UNIT DIESEL

1-8100 Santa Fe

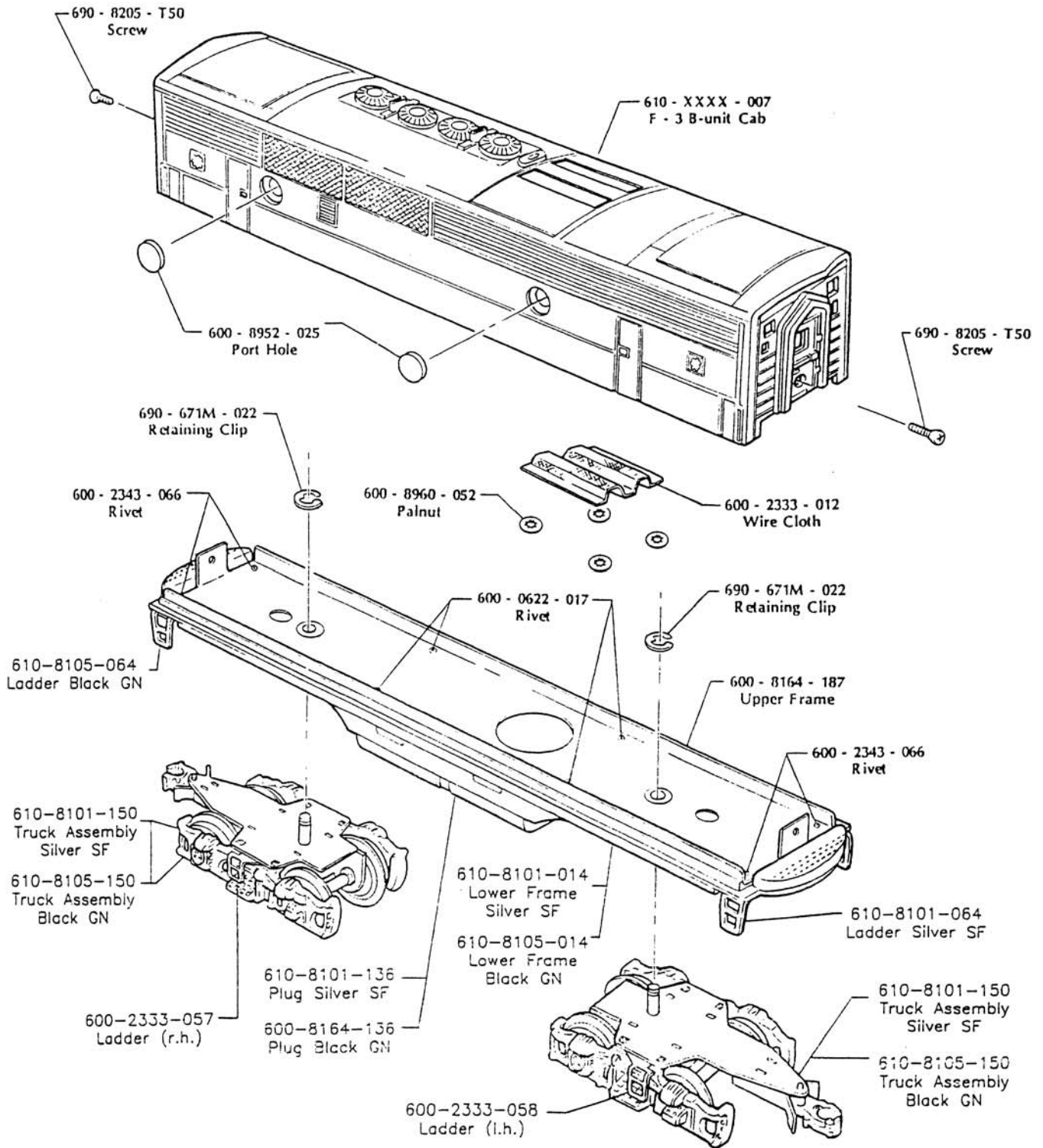
1-8104 Great Northern



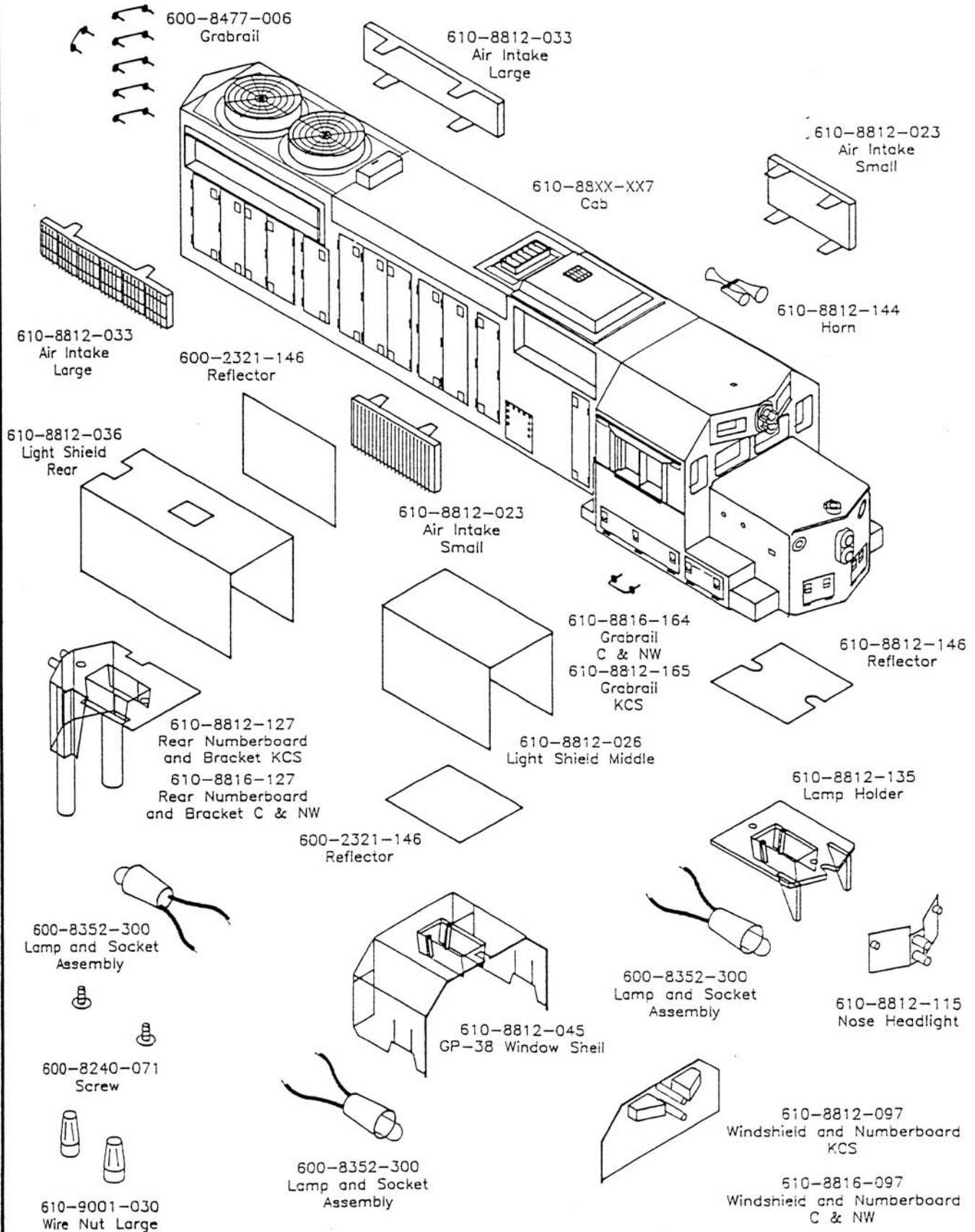
LIONEL

F-3 DIESEL DUMMY B UNIT

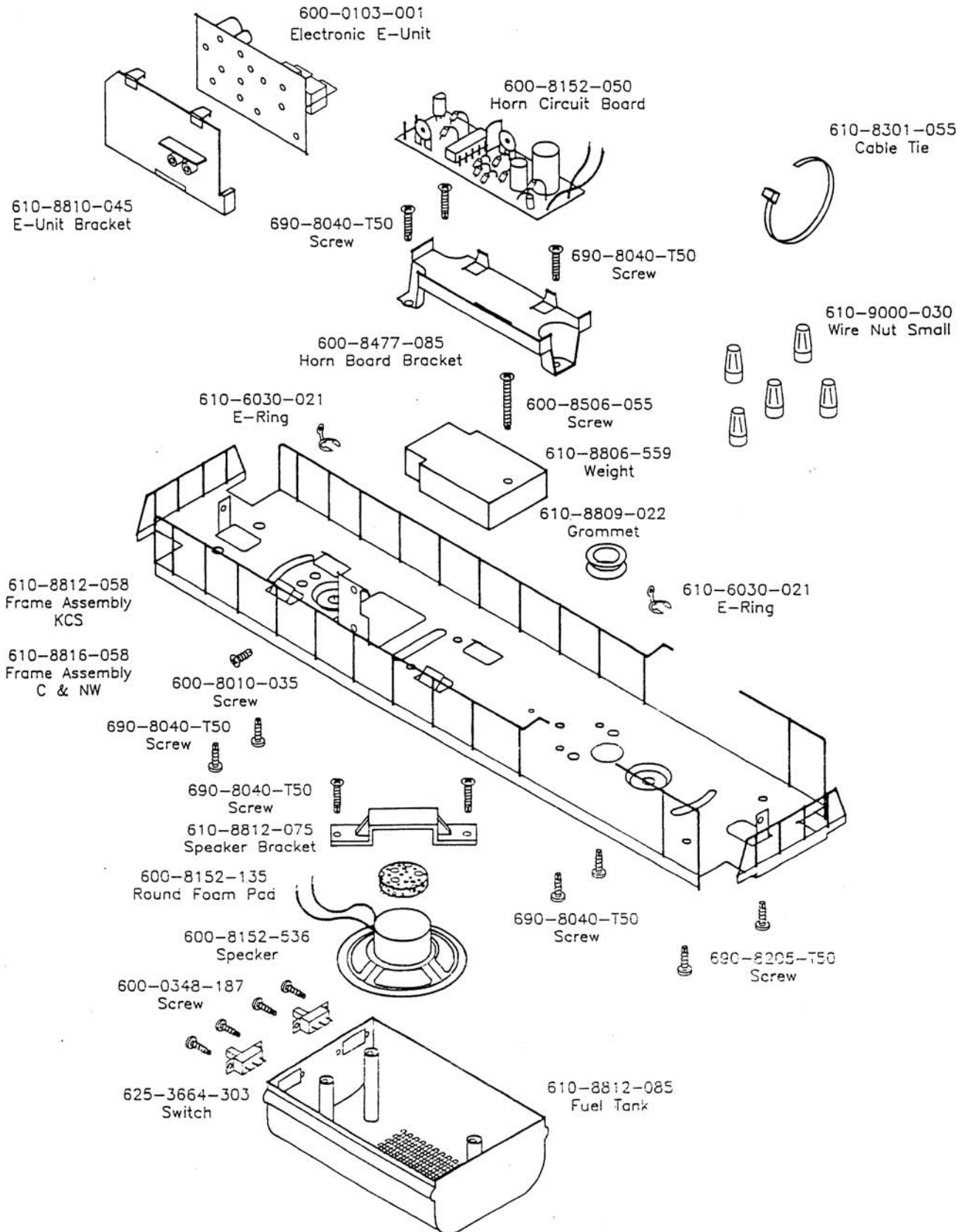
1-8101, 1-8103 Santa Fe
1-8105 Great Northern



1-8812 KANSAS CITY SOUTHERN GP-38
 1-8816 CHICAGO AND NORTHWESTERN GP-38
 DIESEL LOCOMOTIVE

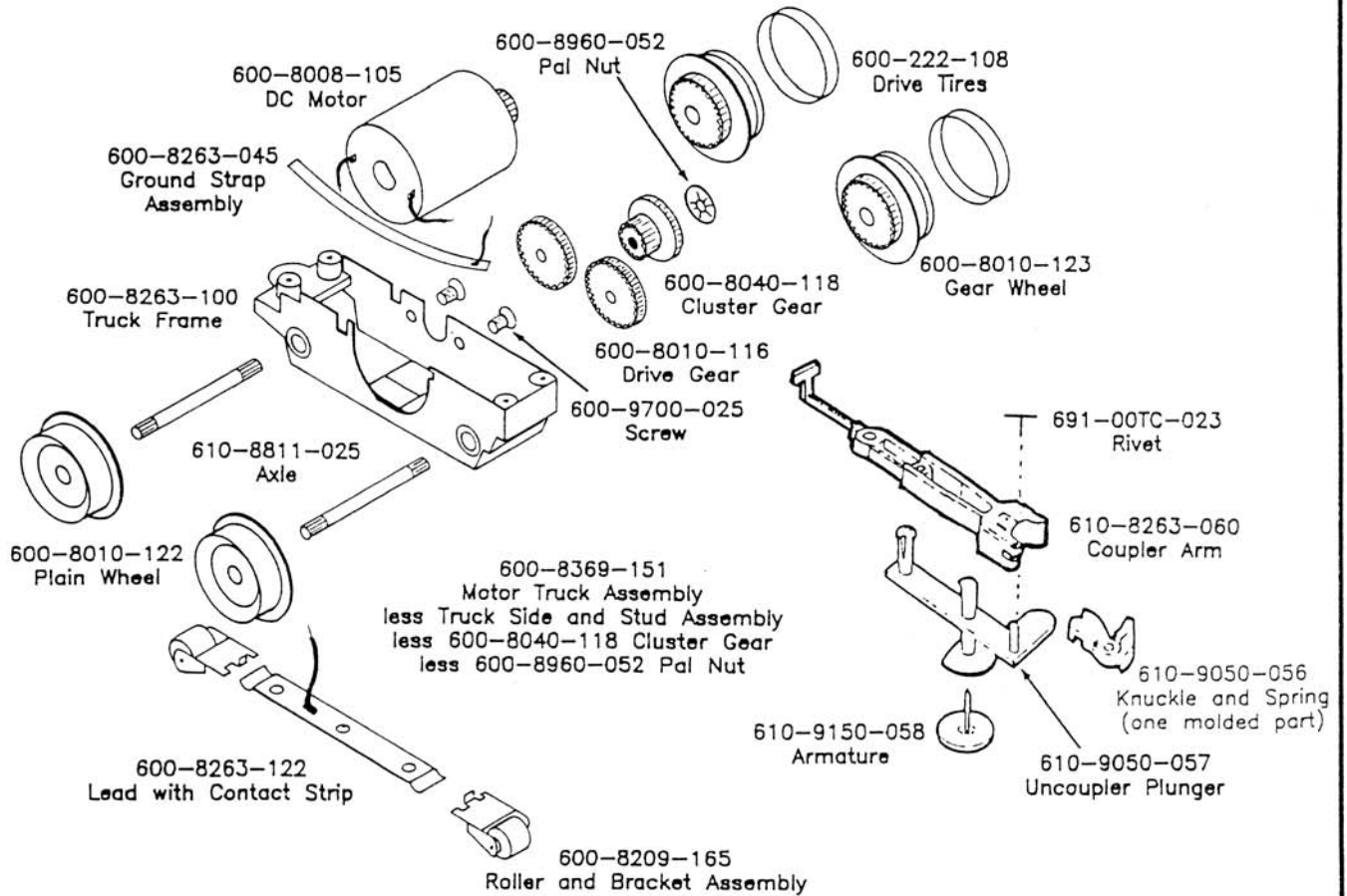
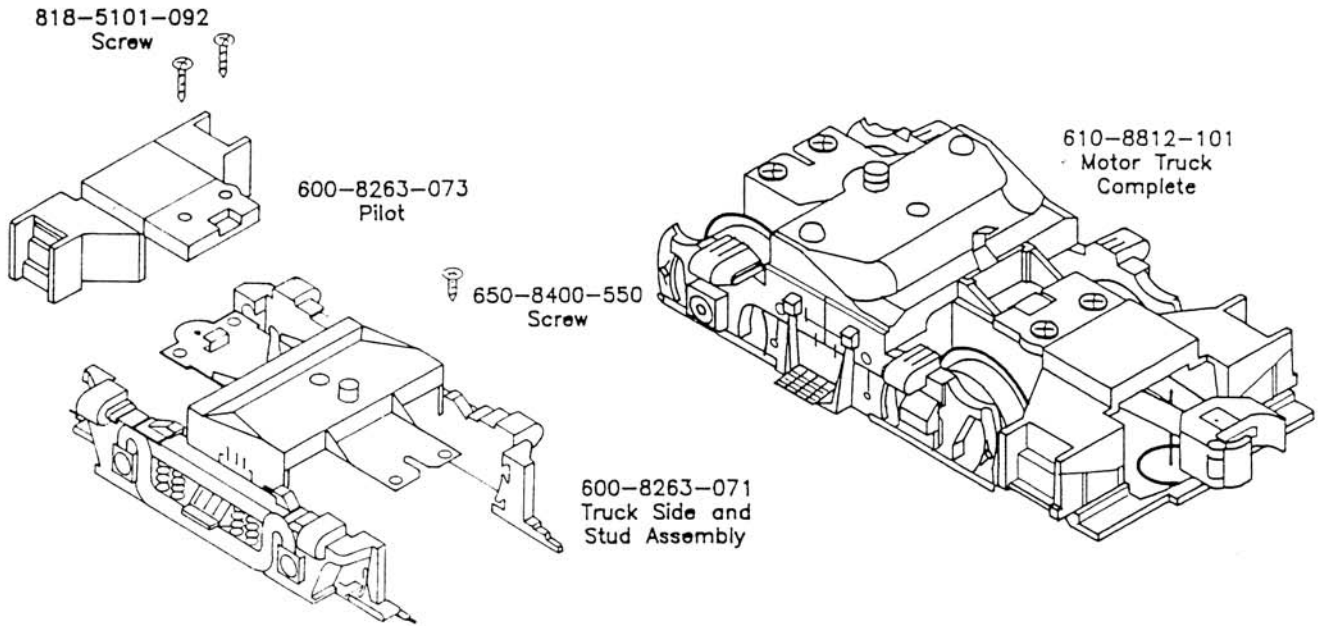


1-8812 KANSAS CITY SOUTHERN GP-38
 1-8816 CHICAGO AND NORTHWESTERN GP-38
 DIESEL LOCOMOTIVE



1-8812 KANSAS CITY SOUTHERN GP-38
 1-8816 CHICAGO AND NORTHWESTERN GP-38
 DIESEL LOCOMOTIVE

(Page 3 of 3)

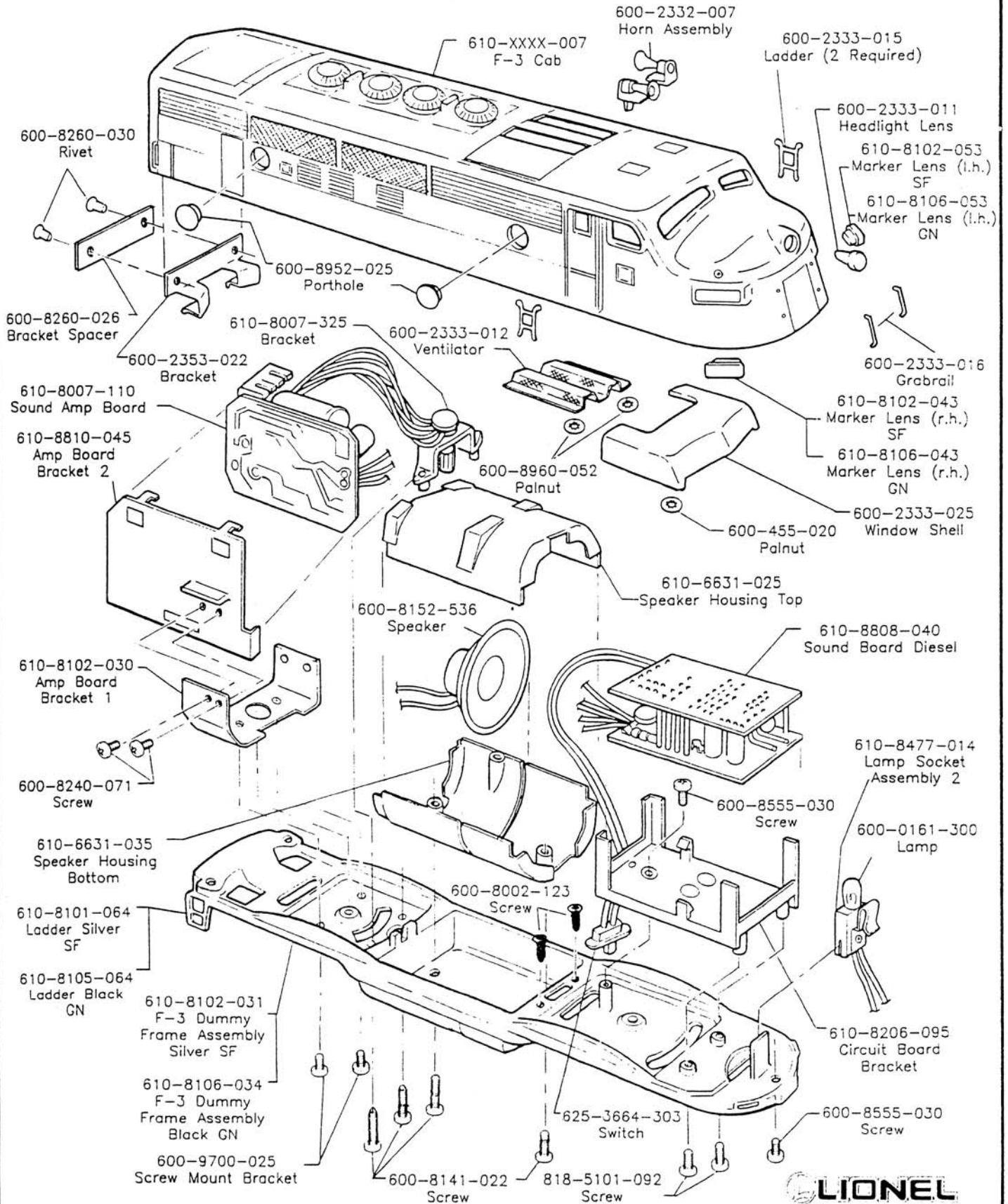


F-3 DIESEL DUMMY A UNIT WITH RAILSOUNDS

1-8102 Santa Fe

1-8106 Great Northern

(Page 1 of 2)

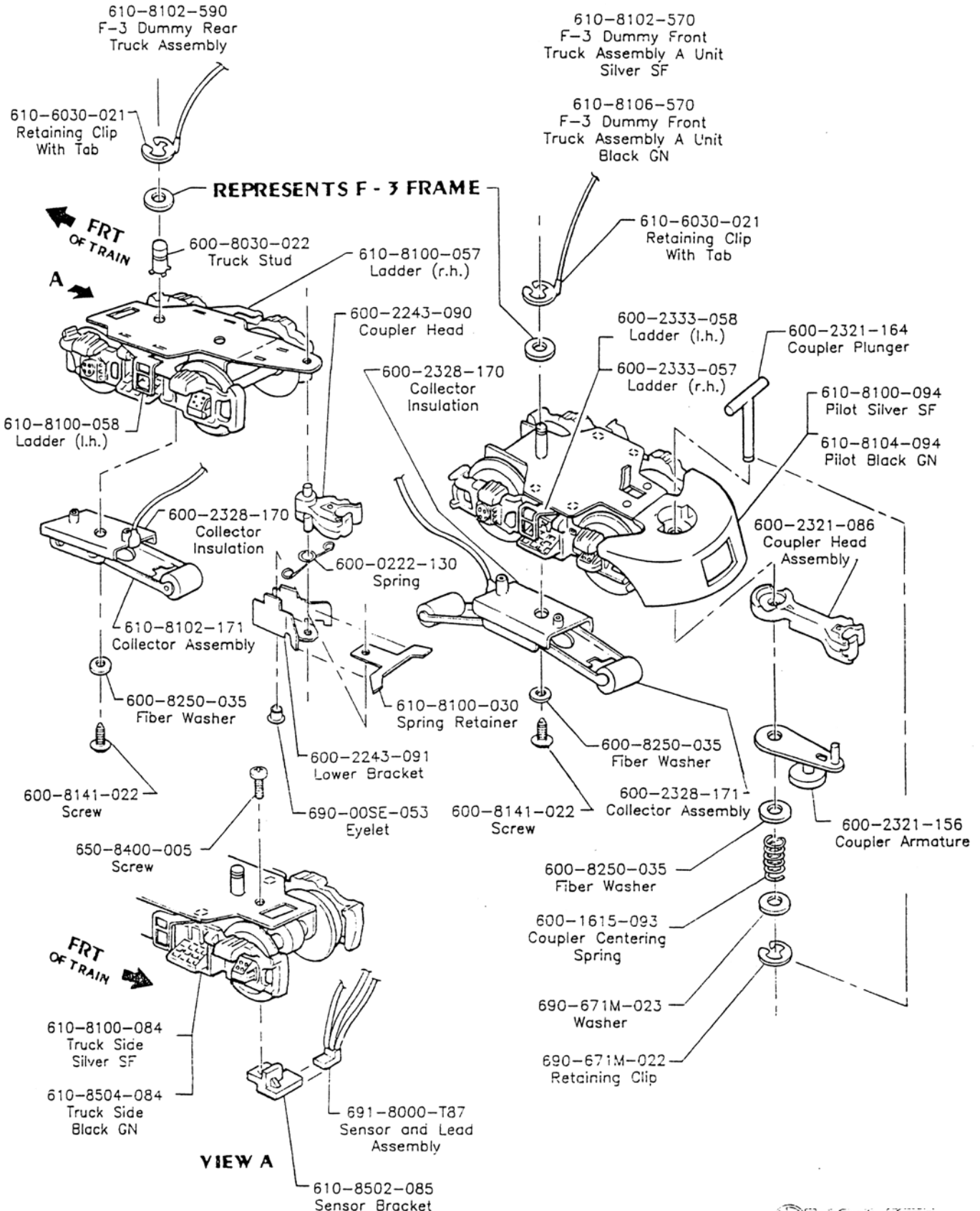


F-3 DIESEL DUMMY A UNIT WITH RAILSOUNDS

1-8102 Santa Fe

1-8106 Great Northern

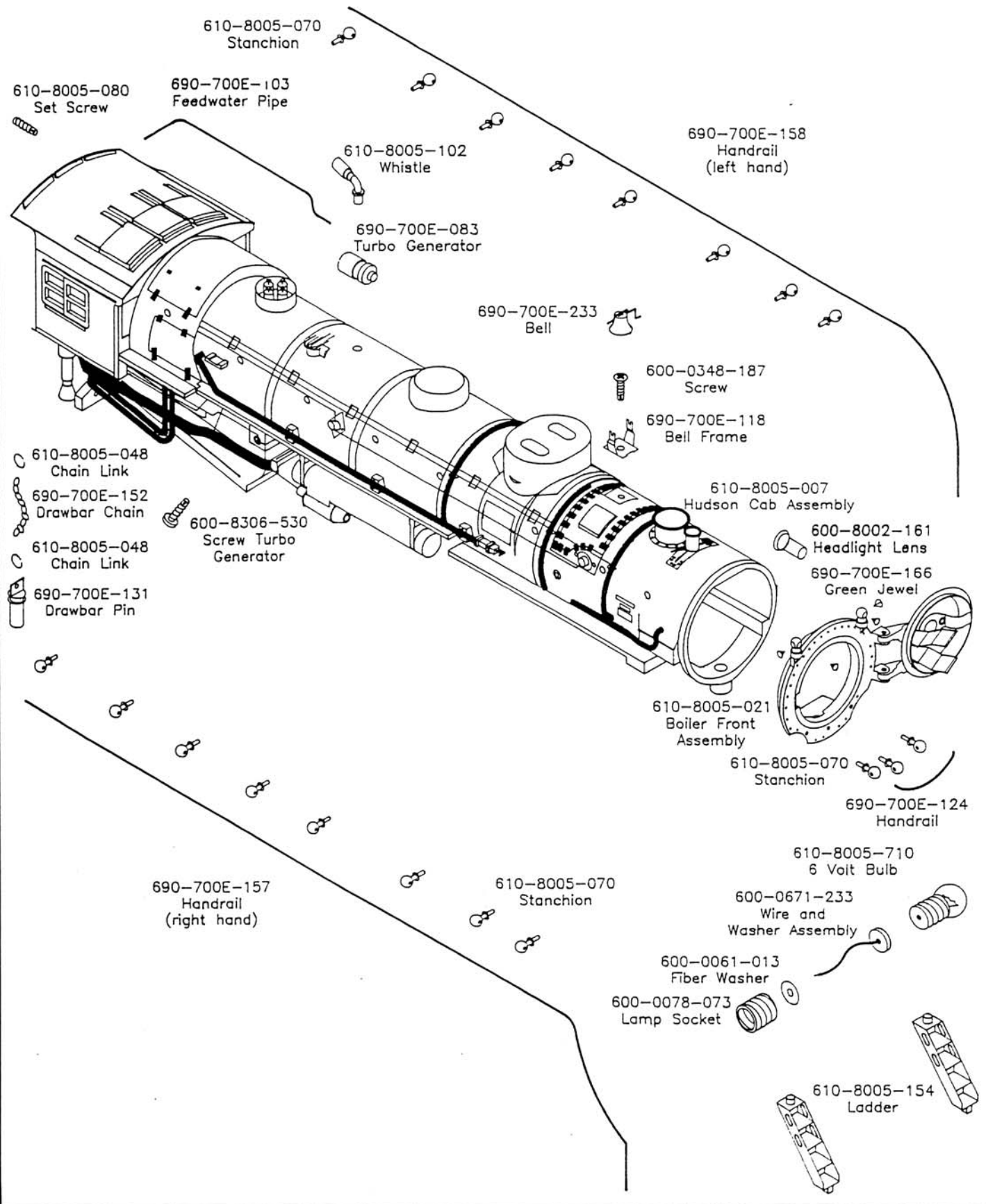
(Page 2 of 2)



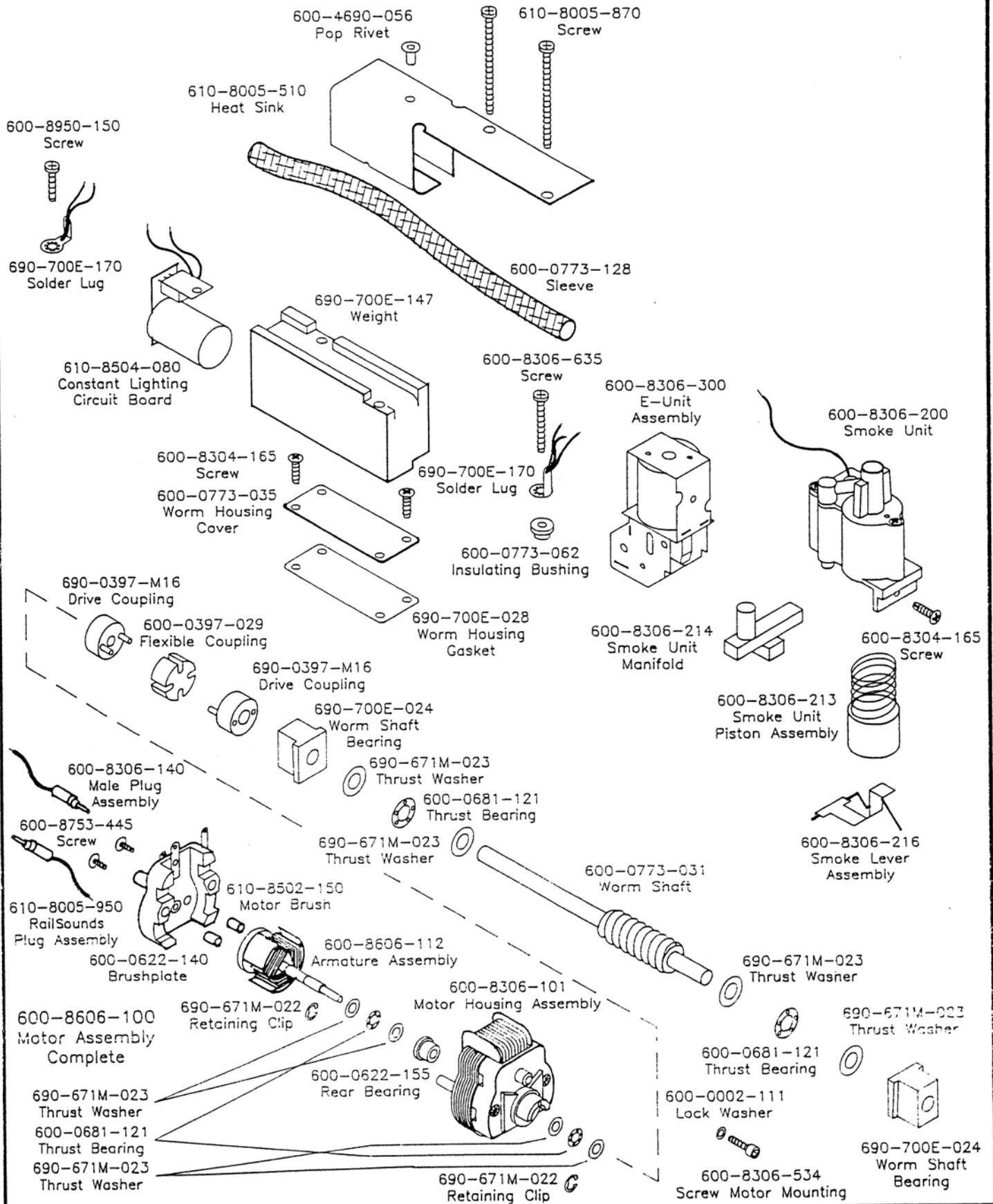
LIONEL

1-700E 4-6-4 HUDSON STEAM LOCOMOTIVE 1-8005 New York Central

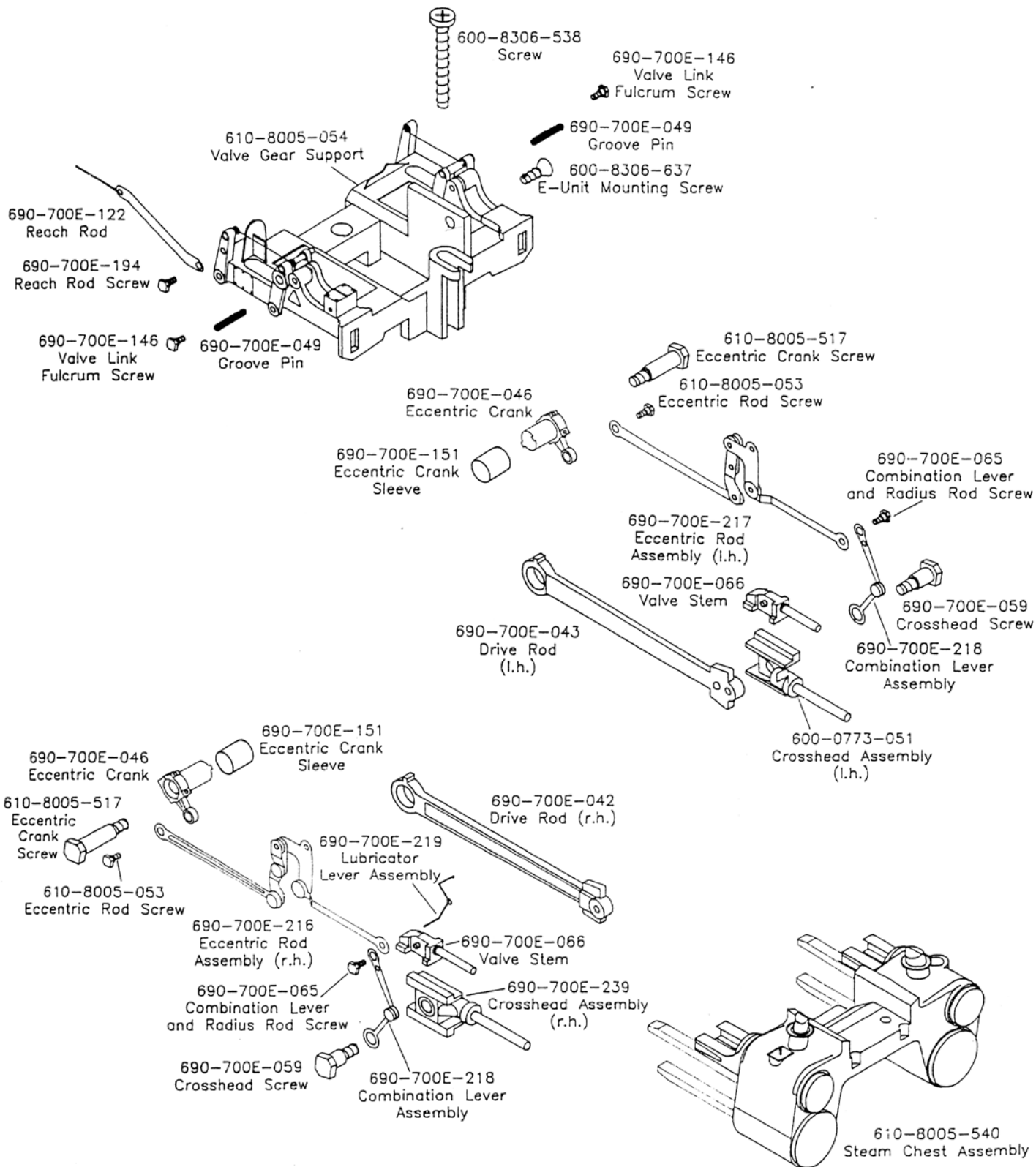
(Page 1 of 4)



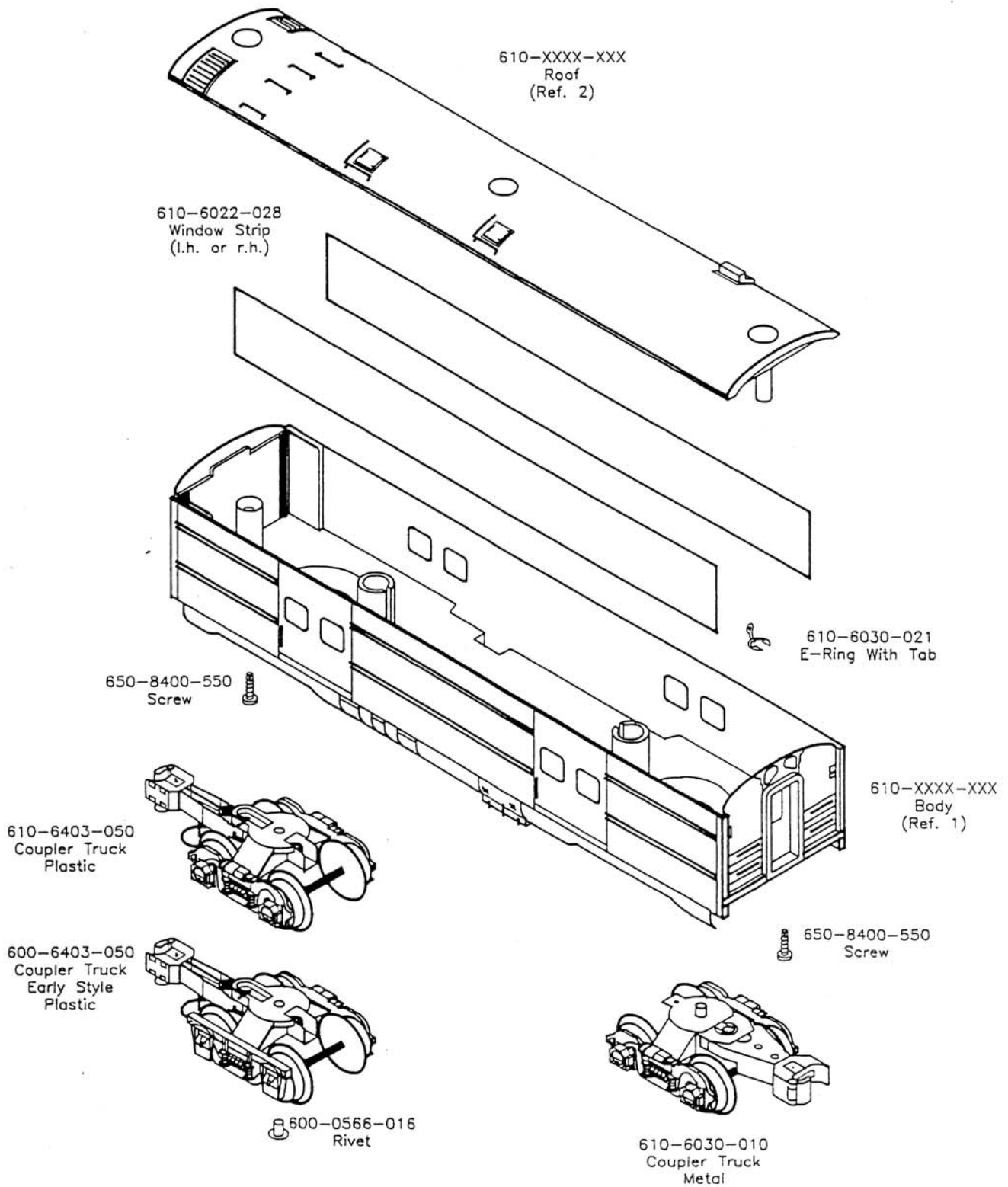
1-700E 4-6-4 HUDSON STEAM LOCOMOTIVE
1-8005-New York Central



1-700E 4-6-4 HUDSON STEAM LOCOMOTIVE
1-8005-New York Central



TRADITIONAL LINE STREAMLINED BAGGAGE CAR



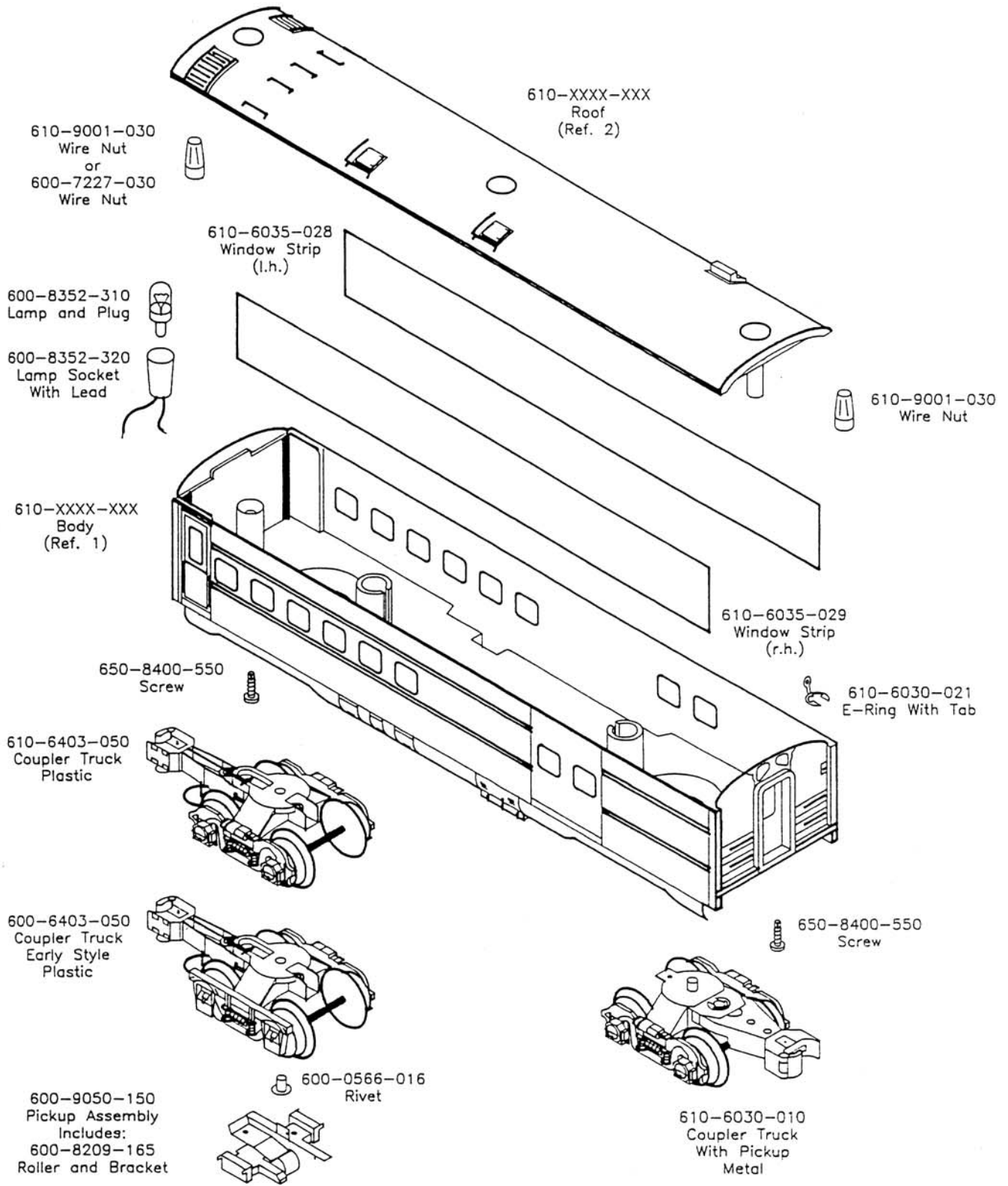
**TRADITIONAL LINE
STREAMLINED BAGGAGE CAR
1-6016 New York Central
1-6022 Pennsylvania
1-6033 Amtrak
1-6034 Northern Pacific
1-6042 Illinois Central**

(provided by Lionel Service)

CATALOGUE NUMBER	REFERENCE 1 BODY	REFERENCE 2 ROOF
* 1-6016 N Y C Baggage Car	610-6016-003	610-6001-016
* 1-6022 Penn. Baggage Car	610-6022-003	610-6001-016
* 1-6033 Amtrak Baggage Car	610-6033-007	600-6404-017
* 1-6034 N P Baggage Car	610-6034-007	610-6035-017
* 1-6042 I C Baggage Car	610-6042-003	610-6042-014

* 610-6022-028 — Window Strip (right hand or left hand)

TRADITIONAL LINE STREAMLINED COMBO CAR



TRADITIONAL LINE STREAMLINED COMBO CAR

1-6009 Pennsylvania
 1-6013 Amtrak
 1-6017 New York Central
 1-6027 Lionel Lines
 1-6035 Northern Pacific
 1-6043 Illinois Central

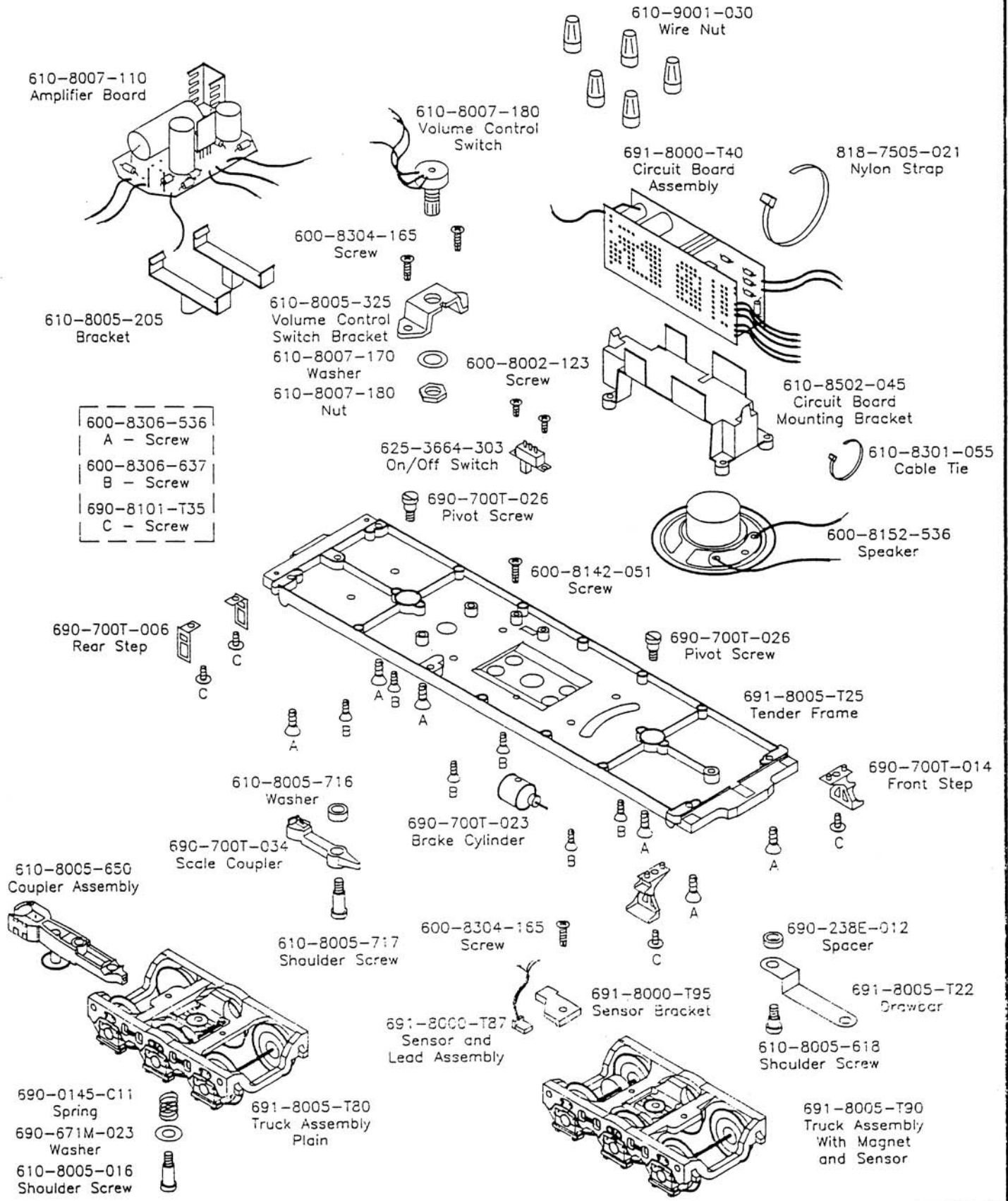
(provided by Lionel Service)

CATALOGUE NUMBER	REFERENCE 1 BODY	REFERENCE 2 ROOF
* 1-6009 Penn. Combo Car	610-6009-007	610-6001-016
* 1-6013 Amtrak Combo Car	610-6013-007	600-6404-017
* 1-6017 N Y C Combo Car	610-6017-003	610-6001-016
** 1-6027 L L Combo Car	610-6027-003	610-6028-014
** 1-6035 N P Combo Car	610-6035-003	610-6035-017
** 1-6043 I C Combo Car	610-6043-003	610-6042-014

Note: * 610-6009-028 — Window Strip (left hand)
 * 610-6009-029 — Window Strip (right hand)

** 610-6035-028 — Window Strip (left hand)
 ** 610-6035-029 — Window Strip (right hand)

1-700E HUDSON TENDER 691-8005-T01 New York Central



TRADITIONAL LINE STREAMLINED OBSERVATION CAR

690-1666-E20
Headlight Lens

610-9001-030
Wire Nut
or
600-7227-030
Wire Nut

600-8352-310
Lamp and Plug

600-8352-320
Lamp Socket
With Lead

610-XXXX-XXX
Roof
(Ref. 2)

610-9001-030
Wire Nut

610-6003-039
Window Strip
610-6039-039
Window Strip
(Supplied as One Piece
You Must Cut to Fit)

610-XXXX-XXX
Body
(Ref. 1)

650-8400-550
Screw

610-6030-021
E-Ring
With Tab

600-8352-300
Lamp and Socket
Assembly

610-6030-020
Truck Plain
With Pickup Assembly
Metal
610-7202-054
Plain Truck
Plastic

600-7202-054
Plain Truck
Early Style
Plastic

600-6403-050
Coupler Truck
Early Style
Looks Like Early
Style Plain Truck and
Includes Coupler

600-0566-016
Rivet

600-9050-150
Pickup Assembly
Includes:
600-8209-165
Roller and Bracket

650-8400-550
Screw

610-6030-010
Coupler Truck
With Pickup
Metal

610-6403-050
Coupler Truck
Plastic

**TRADITIONAL LINE
STREAMLINED OBSERVATION CAR**
1-6003 Pennsylvania
1-6015 Amtrak
1-6021 New York Central
1-6030 Lionel Lines
1-6039 Northern Pacific
1-6047 Illinois Central

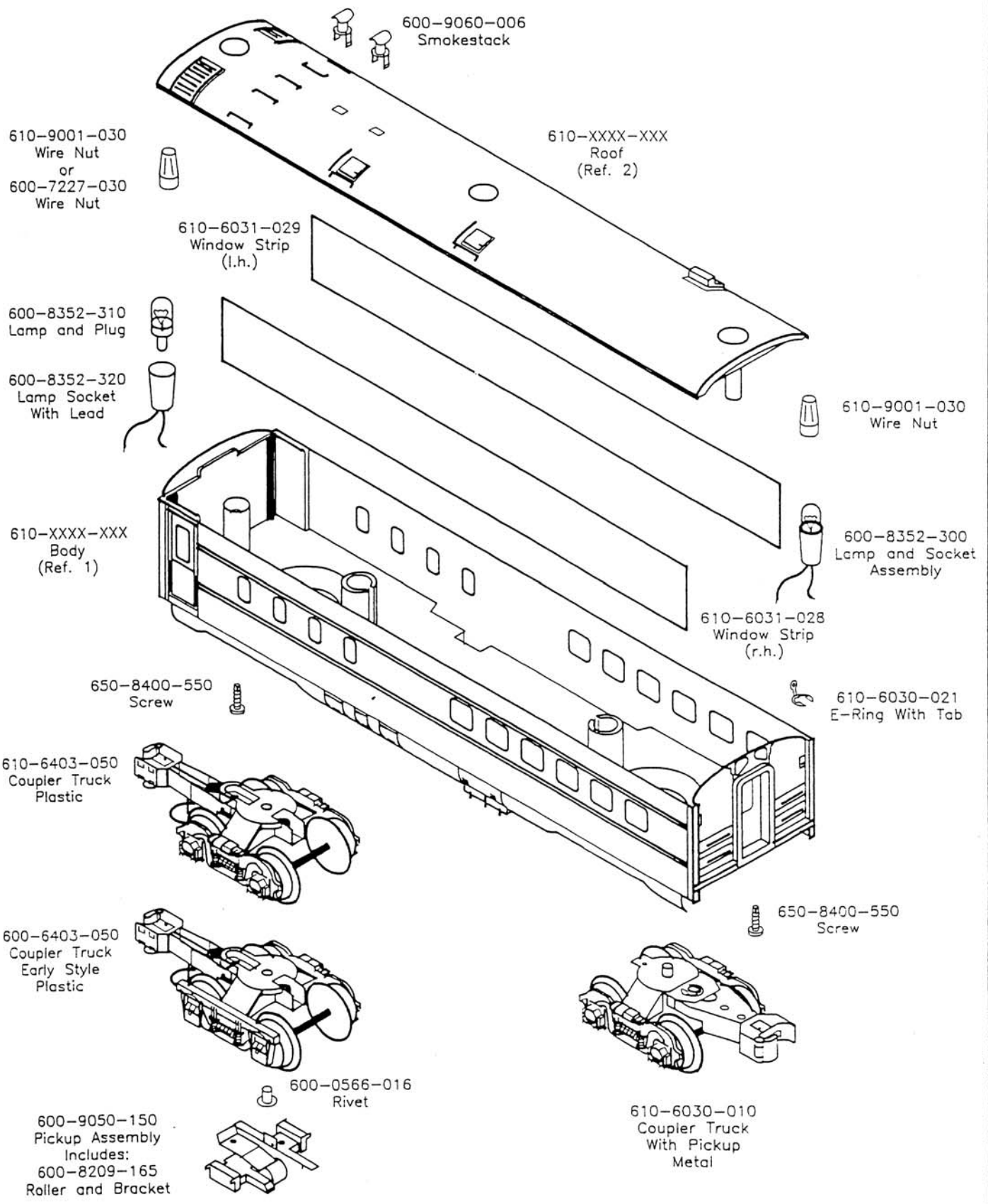
(provided by Lionel Service)

CATALOGUE NUMBER	REFERENCE 1 BODY	REFERENCE 2 ROOF
* 1-6003 Pennsylvania Observation Car	610-6003-007	610-6003-016
* 1-6015 Amtrak Observation Car	610-6015-007	600-6406-017
* 1-6021 N Y C. Observation Car	610-6021-003	610-6003-016
** 1-6030 Lionel Lines Observation Car	610-6030-003	610-6030-014
** 1-6039 N P Observation Car	610-6039-003	610-6039-017
** 1-6047 I C Observation Car	610-6047-003	610-6047-014

* 610-6003-039 — Window Strip

** 610-6039-039 — Window Strip

TRADITIONAL LINE STREAMLINED DINING CAR



TRADITIONAL LINE STREAMLINED DINING CAR

1-6024 Northern Pacific

1-6031 Pennsylvania

1-6041 New York Central

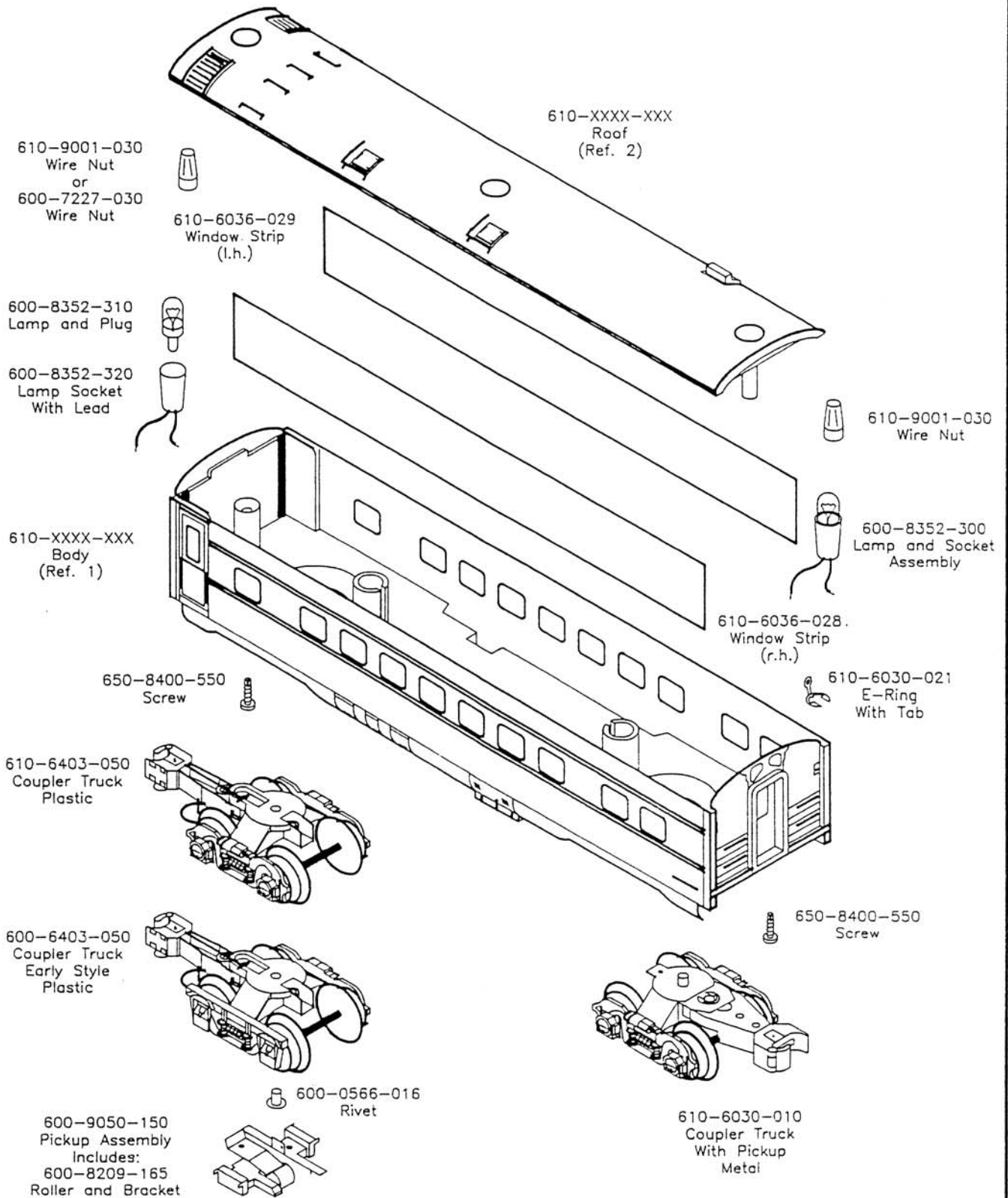
1-6048 Amtrak

1-6049 Illinois Central

(provided by Lionel Service)

CATALOGUE NUMBER	REFERENCE 1 BODY	REFERENCE 2 ROOF
1-6024 N P Dining Car	610-6024-003	610-6024-014
1-6031 Penn. Dining Car	610-6031-003	610-6031-0CE
1-6041 N Y C Dining Car	610-6041-003	610-6031-0CE
1-6048 Amtrak Dining Car	610-6048-007	610-6048-014
1-6049 I C Dining Car	610-6049-003	610-6049-0CE

TRADITIONAL LINE STREAMLINED PASSENGER CAR



**TRADITIONAL LINE
STREAMLINED PASSENGER CAR**
1-6001, 1-6002 Pennsylvania
1-6018, 1-6020 New York Central
1-6023 Amtrak
1-6028, 1-6029 Lionel Lines
1-6036, 1-6038 Northern Pacific
1-6044, 1-6046 Illinois Central

(provided by Lionel Service)

CATALOGUE NUMBER	REFERENCE 1 BODY	REFERENCE 2 ROOF
* 1-6001 Penn. Passenger Car	610-6001-007	610-6001-016
* 1-6002 Penn. Passenger Car	610-6002-007	610-6001-016
* 1-6018 N Y C Passenger Car	610-6018-003	610-6001-016
* 1-6020 N Y C Passenger Car	610-6020-003	610-6001-016
* 1-6023 Amtrak Passenger Car	610-6023-007	600-6404-017
** 1-6028 Lionel Lines Passenger Car	610-6028-003	610-6028-014
** 1-6029 Lionel Lines Passenger Car	610-6029-003	610-6028-014
** 1-6036 N P Passenger Car	610-6036-003	610-6035-017
** 1-6038 N P Passenger Car	610-6038-003	610-6035-017
** 1-6044 I C Passenger Car	610-6044-003	610-6042-014
** 1-6046 I C Passenger Car	610-6046-003	610-6042-014

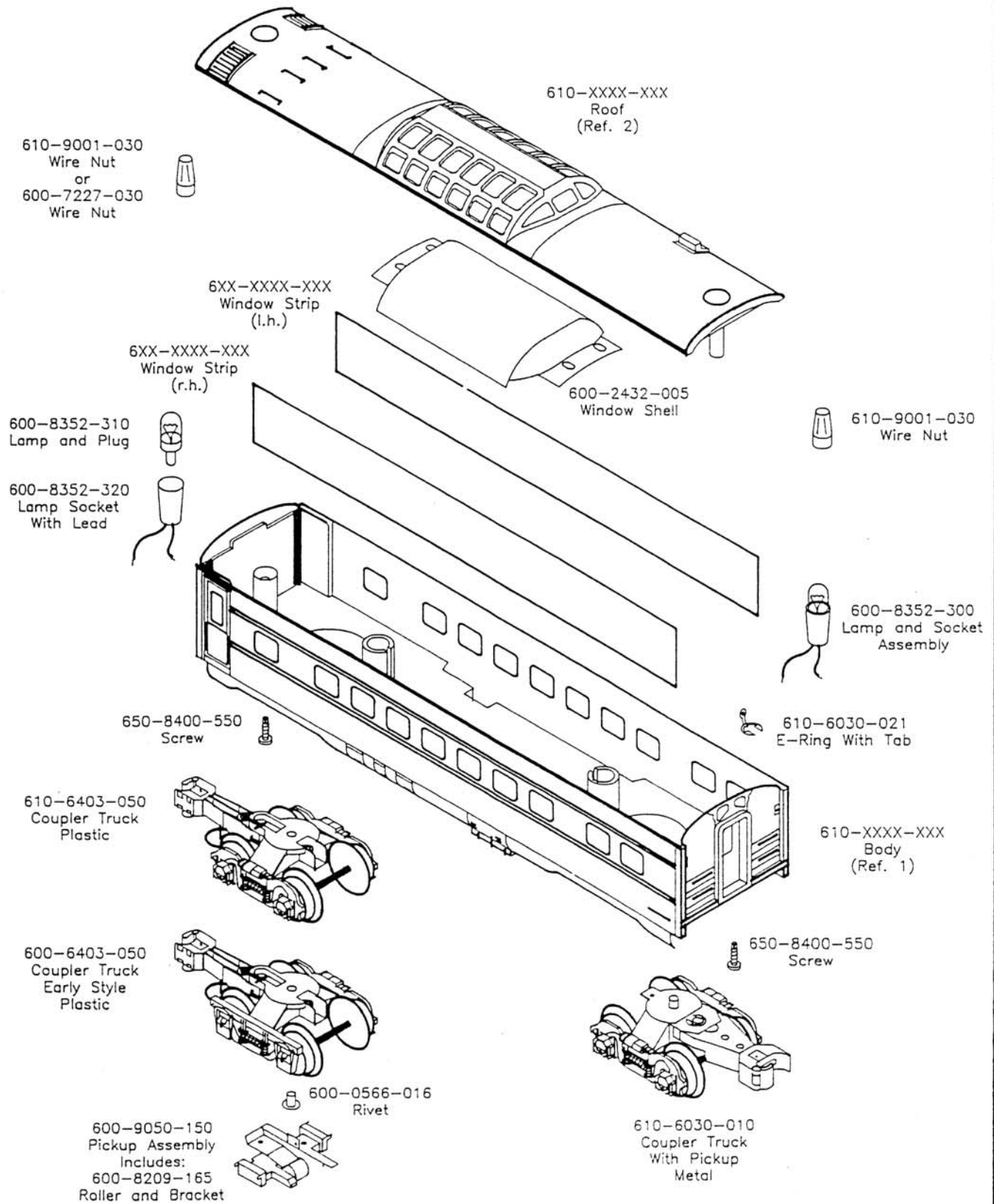
* 600-2400-028 — Window Strip (right hand)

* 600-2400-029 — Window Strip (left hand)

** 610-6036-028 — Window Strip (right hand)

** 610-6036-029 — Window Strip (left hand)

TRADITIONAL LINE STREAMLINED VISTA DOME CAR



**TRADITIONAL LINE
STREAMLINED VISTA DOME CAR
1-6000 Pennsylvania
1-6014 Amtrak
1-6019 New York Central
1-6037 Northern Pacific
1-6045 Illinois Central**

(provided by Lionel Service)

CATALOGUE NUMBER	REFERENCE 1 BODY	REFERENCE 2 ROOF
* 1-6000 Pennsylvania Vista Dome Car	610-6000-007	610-6000-016
** 1-6014 Amtrak Vista Dome Car	610-6014-007	600-6403-017
* 1-6019 N Y C Vista Dome Car	610-6019-003	610-6000-016
*** 1-6037 N P Vista Dome Car	610-6037-003	610-6037-017
*** 1-6045 I C Vista Dome Car	610-6045-003	610-6045-014

* 600-2432-028 — Window Strip (right hand)

* 600-2432-029 — Window Strip (left hand)

** 600-2400-028 — Window Strip (right hand)

** 600-2400-029 — Window Strip (left hand)

*** 610-6037-028 — Window Strip (right hand)

*** 610-6037-029 — Window Strip (left hand)