



PARTS LISTS AND EXPLODED DIAGRAMS

SUPPLEMENT 21

By Gary T. Svehar

Edited by Cindy Lee Floyd

*Diagrams by Steven Gugel and
Lionel Trains, Inc.*

Notice to the User

This supplement is designed to fit with two different publications, the *Lionel Service Manual* by Lionel Trains, Inc., and *Lionel Parts Lists and Exploded Diagrams* published by Greenberg Publishing Company, Inc. Each page has two page numbers. The number for the *Lionel Service Manual* is indicated by parentheses, e.g., (A-35). The number which applies to *Lionel Parts Lists and Exploded Diagrams* is above the parentheses, e.g., S21:1-3.

We recommend that readers with the *Lionel Service Manual* insert the pages according to the numbers in the parentheses. On the other hand, we recommend that readers with *Lionel Parts Lists and Exploded Diagrams* keep the pages as a set and insert them into a Supplement binder. Binders to match the 1970-1986 binder are available from Kalmbach Publishing, for \$7.95 plus \$3.00 shipping and handling. Please call 1-800-533-6464 to place your order. A comprehensive index to the *Lionel Parts Lists and Exploded Diagrams* will be issued periodically, and will take the place of the index at the front of the original 1970-1986 manual.

Authorized by Lionel® Trains, Inc.

Published by Greenberg® Publishing Company, Inc.

Copyright © 1992 by Lionel Trains, Inc.

All rights reserved.

Greenberg Publishing Company, Inc.

7566 Main Street

Sykesville, Maryland 21784

(410) 795-7447

Manufactured in the United States of America

All rights reserved. No part of this book may be reproduced in any form or by any means, including electronic, photocopying or recording, or by any information storage system, without written permission of the publisher, except in the case of brief quotations used in critical articles and reviews.

Greenberg Publishing Company, Inc. publishes the world's largest selection of Lionel, American Flyer, LGB, Marx, Ives, and other toy train publications as well as a selection of books on model and prototype railroading, dollhouse building, and collectible toys. For a complete listing of current Greenberg publications, please call 1-800-533-6644 or write to Kalmbach Publishing, 21027 Crossroads Circle, Waukesha, Wisconsin 53187.

Greenberg Shows, Inc. sponsors *Greenberg's Great Train, Dollhouse and Toy Shows*, the world's largest of its kind. The shows feature extravagant operating train layouts, and a display of magnificent dollhouses. The shows also present a huge marketplace of model and toy trains, for HO, N, and Z Scales; Lionel O and Standard Gauges; and S and 1 Gauges; plus layout accessories and railroading. They also offer a large selection of dollhouse miniatures and building materials, and collectible toys. Shows are scheduled along the East Coast each year from Massachusetts to Florida. For a list of our current shows please call (410) 795-7447 or write to Greenberg Shows, Inc., 7566 Main Street, Sykesville, Maryland 21784 and request a show brochure.

Greenberg Auctions, a division of Greenberg Shows, Inc., offers nationally advertised auctions of toy trains and toys. Please contact our auction manager at (410) 795-7447 for further information.

ISBN 0-89778-323-9

INDEX TO LIONEL PARTS LISTS AND EXPLODED DIAGRAMS SUPPLEMENT 21

ALPHABETICAL INDEX

O AND O27 GAUGES

Diesel Engines and Electrics

GP-9 and GP-38 Wiring Diagram S21:1-1
600-0103-001

RS-3 Wiring Diagram S21:1-2
600-0103-001

Steam Locomotives

Scale S-2, 6-8-6, Steam Turbine S21:3-1, 2, 3, 4
1-8010

Wiring Diagram S21:3-5
600-0103-001

Tenders

Scale Steam Turbine S21:4-1, 2
691-8010-T01

Box, Refrigerator, and Stock Cars

Milwaukee Road Bunk Car S21:6-1
1-9656 1-9657

Cabooses

Scale N-8 Caboose S21:7-1, 2
6-51702

Passenger Cars

Madison Observation Car S21:12-1

1-9018 1-9026

Madison Passenger Car S21:12-2

1-9015 1-9016 1-9017

1-9023 1-9024 1-9025

AMERICAN FLYER S GAUGE by LIONEL

Diesel Engines

Electric Locomotive S21:17-1, 2
4-8008-000 4-8010-000

LARGE SCALE

Diesel Locomotives

GP-20 Locomotive S21:20-1, 2, 3
8-85003

NUMERICAL LISTING

1-8010	S21:3-1, 2, 3, 4	1-9656	S21:6-1
1-9015	S21:12-2	1-9657	S21:6-1
1-9016	S21:12-2	4-8008-000	S21:17-1, 2
1-9017	S21:12-2	4-8010-000	S21:17-1, 2
1-9018	S21:12-1	6-51702	S21:7-1, 2
1-9023	S21:12-2	8-85003	S21:20-1, 2, 3
1-9024	S21:12-2	600-0103-001	S21:1-1, 2 and S21:3-5
1-9025	S21:12-2	691-8010-T01	S21:3-5
1-9026	S21:12-1		

LIONEL SERVICE MANUAL

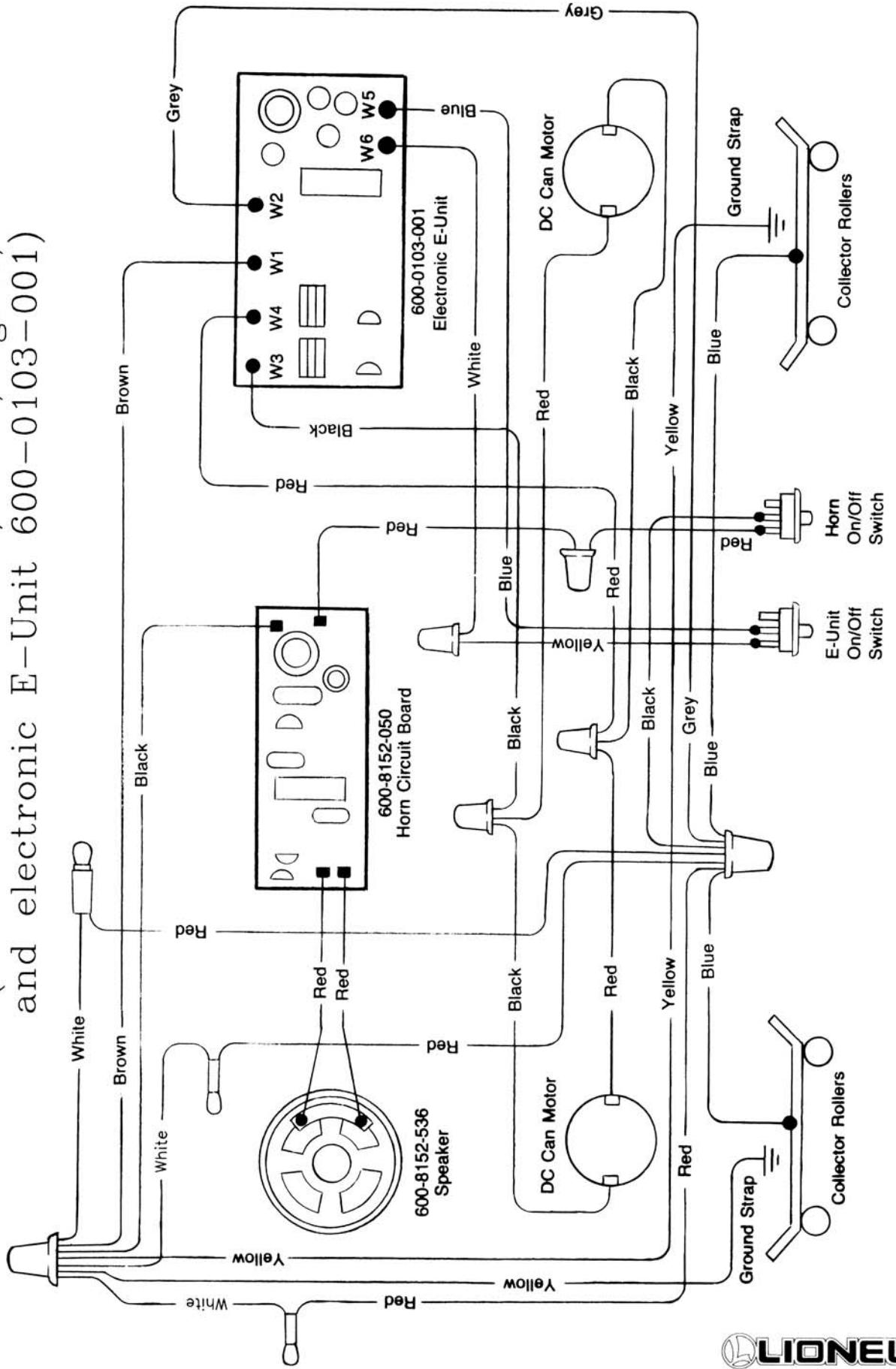
BY LIONEL SERVICE

Supplement 21

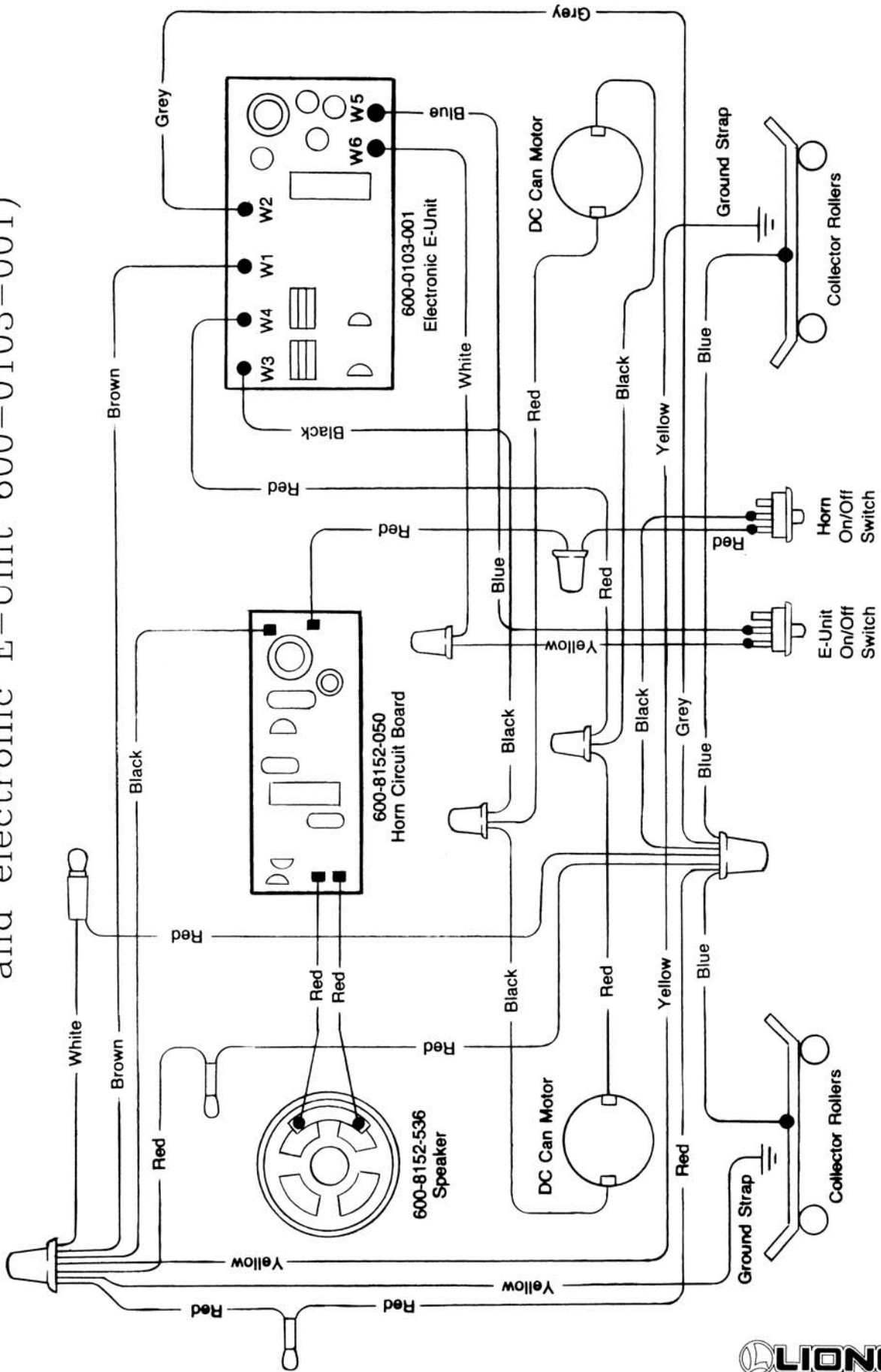
Description	Drawing
Steam Locomotives:	
Scale S-2, 6-8-6, Steam Turbine 1-8010	(A-47), (A-48-2), (A-48-3), (A-48-4)
Steam Locomotive Wiring Diagram 600-0103-001	(A-49)
Diesel Engines and Electrics:	
GP-9 and GP-38 Wiring Diagram 600-0103-001	(B-41-4)
RS-3 Wiring Diagram 600-0103-001	(B-43)
Tenders:	
Scale Steam Turbine 691-8010-T01	(C-33), (C-33-2)
Passenger Cars:	
Madison Observation Car 1-9018 1-9026	(F-95)
Milwaukee Road Bunk Car 1-9656, 1-9657	(F-97)
Scale N-8 Caboose 6-51702	(F-98), (F-98-2)
Madison Passenger Car 1-9015 1-9016 1-9017 1-9023 1-9024 1-9025	(F-96)
American Flyer Electric Locomotive 4-8008-000 4-8010-000	(SB-3), (SB-3-2)
Large Scale GP-20 Locomotive 8-85003	(M-13), (M-13-2), (M-13-3)

WIRING DIAGRAM FOR GP-9 AND GP-38 DIESEL LOCOMOTIVES

(with dual can motors, horn, lights,
and electronic E-Unit 600-0103-001)

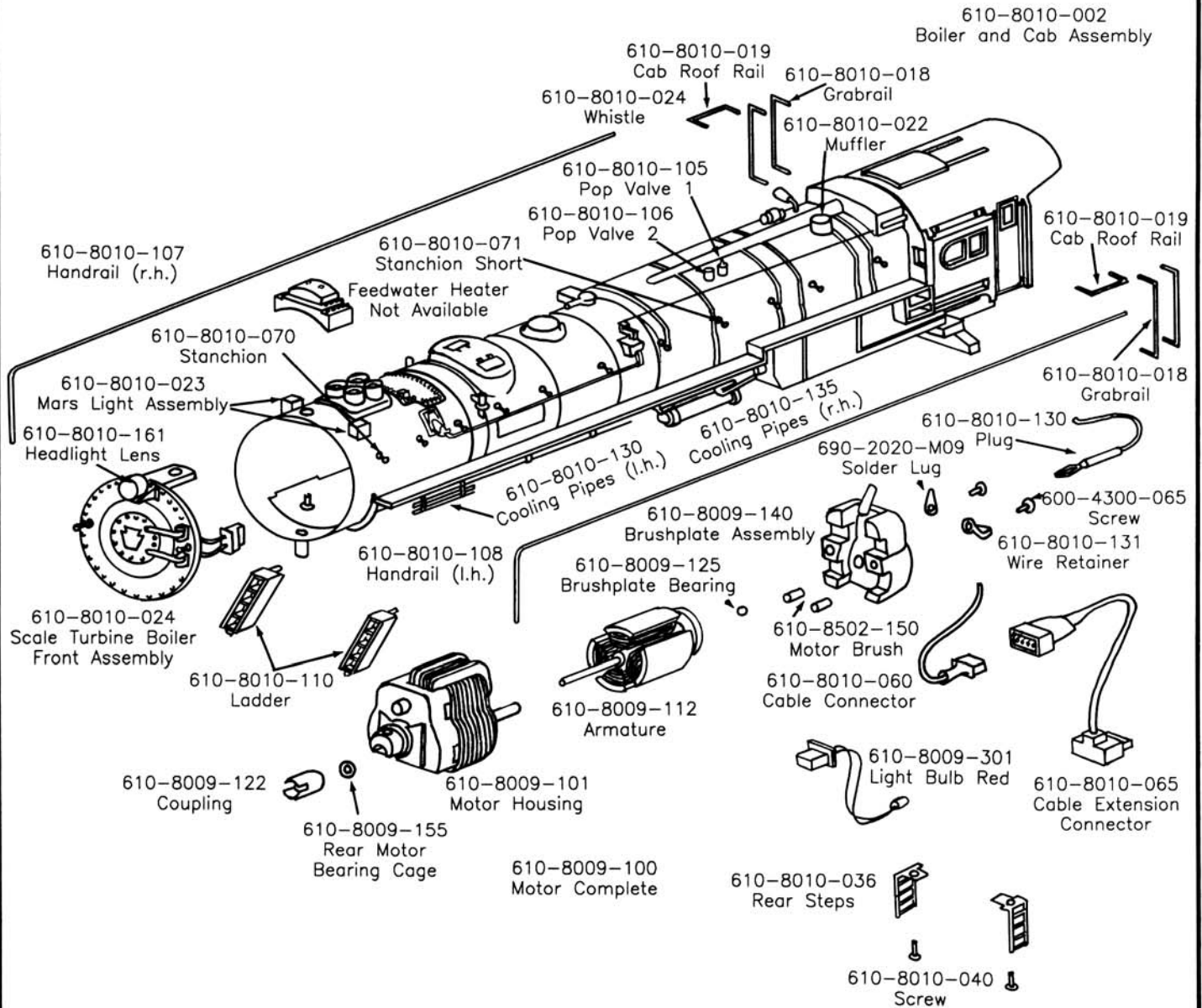


WIRING DIAGRAM FOR RS-3 DIESEL LOCOMOTIVES (with dual can motors, horn, lights, and electronic E-Unit 600-0103-001)



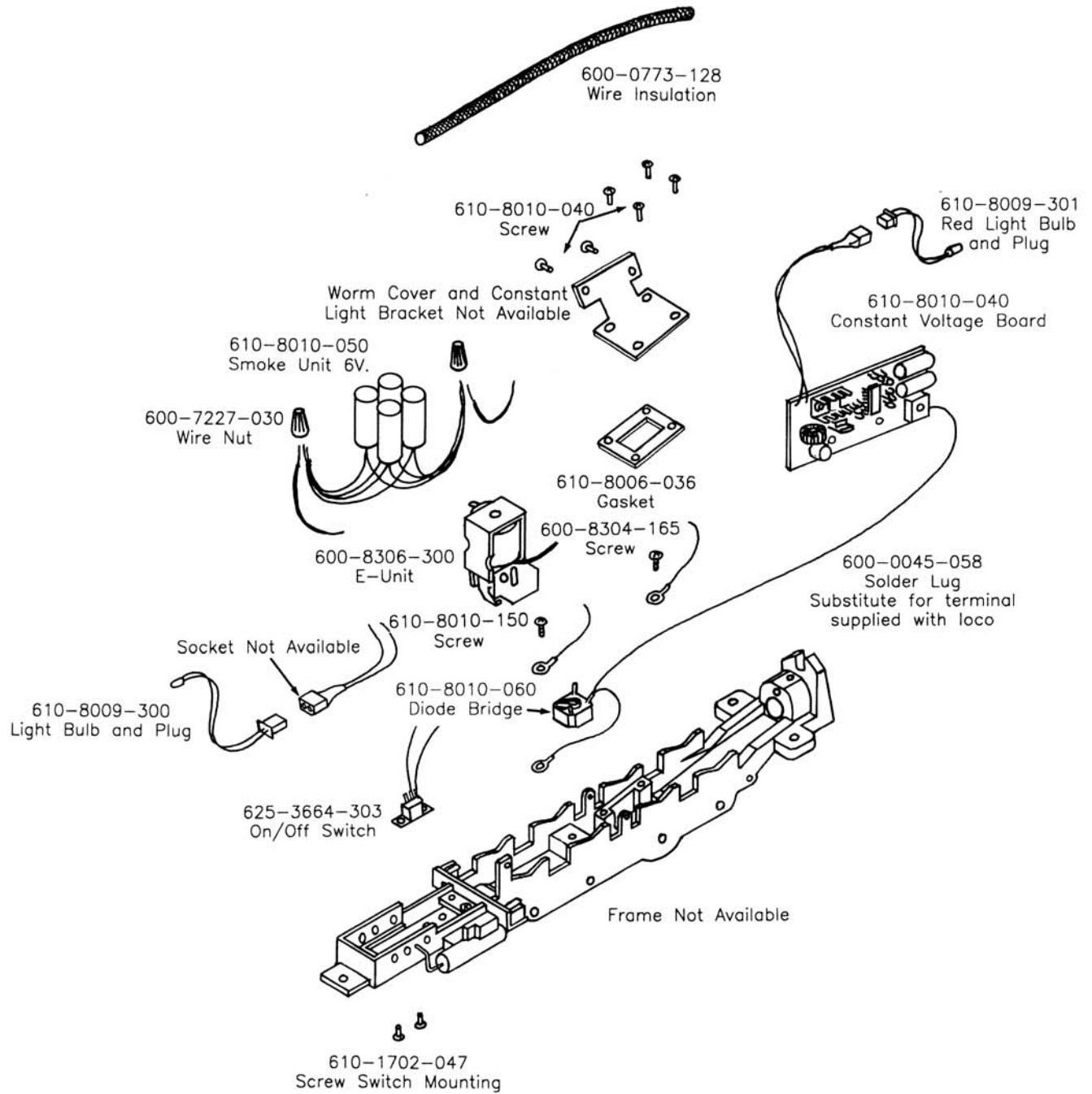
SCALE S-2 6-8-6 STEAM TURBINE 1-8010 Pennsylvania

(Page 1 of 4)

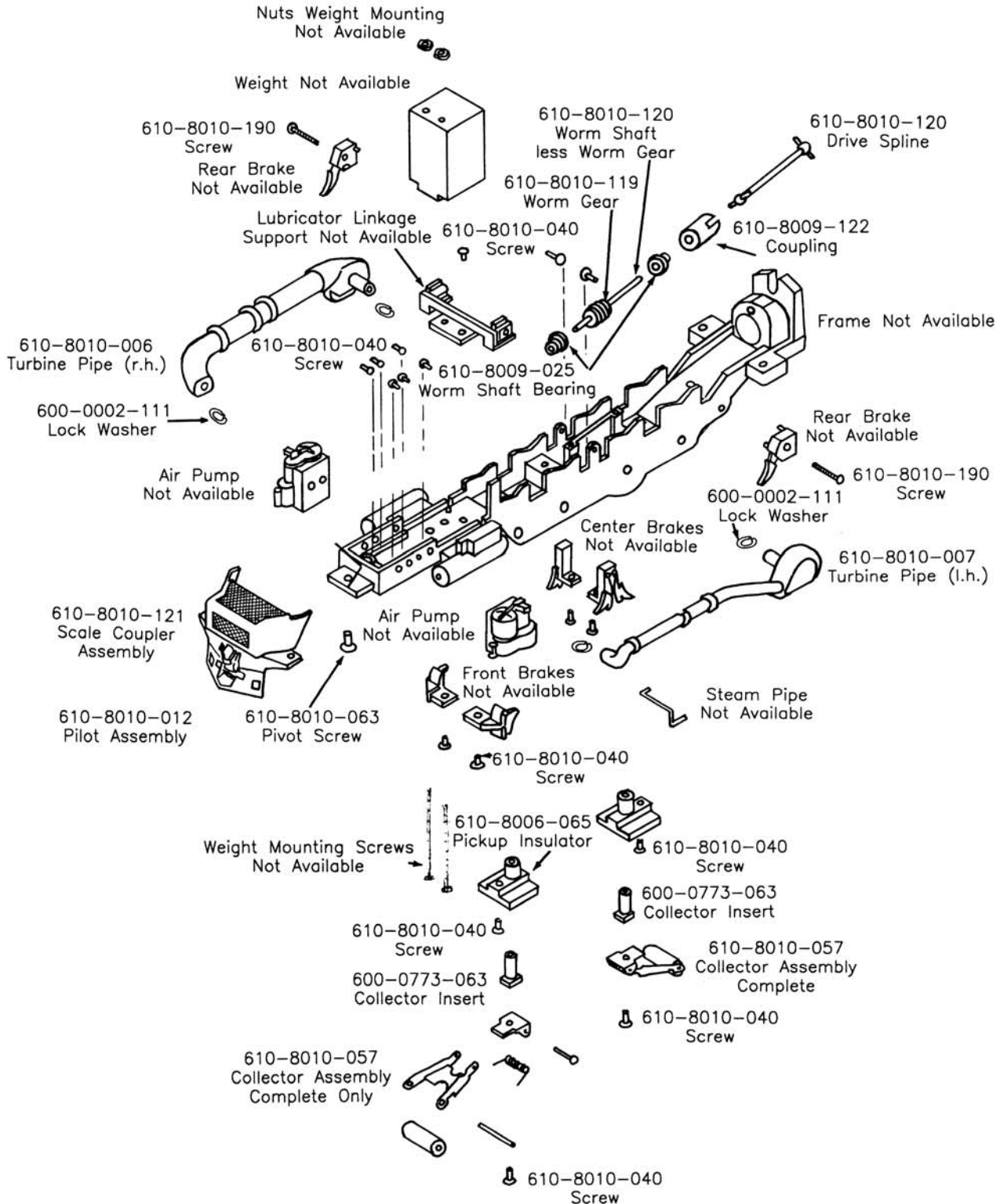


LIONEL

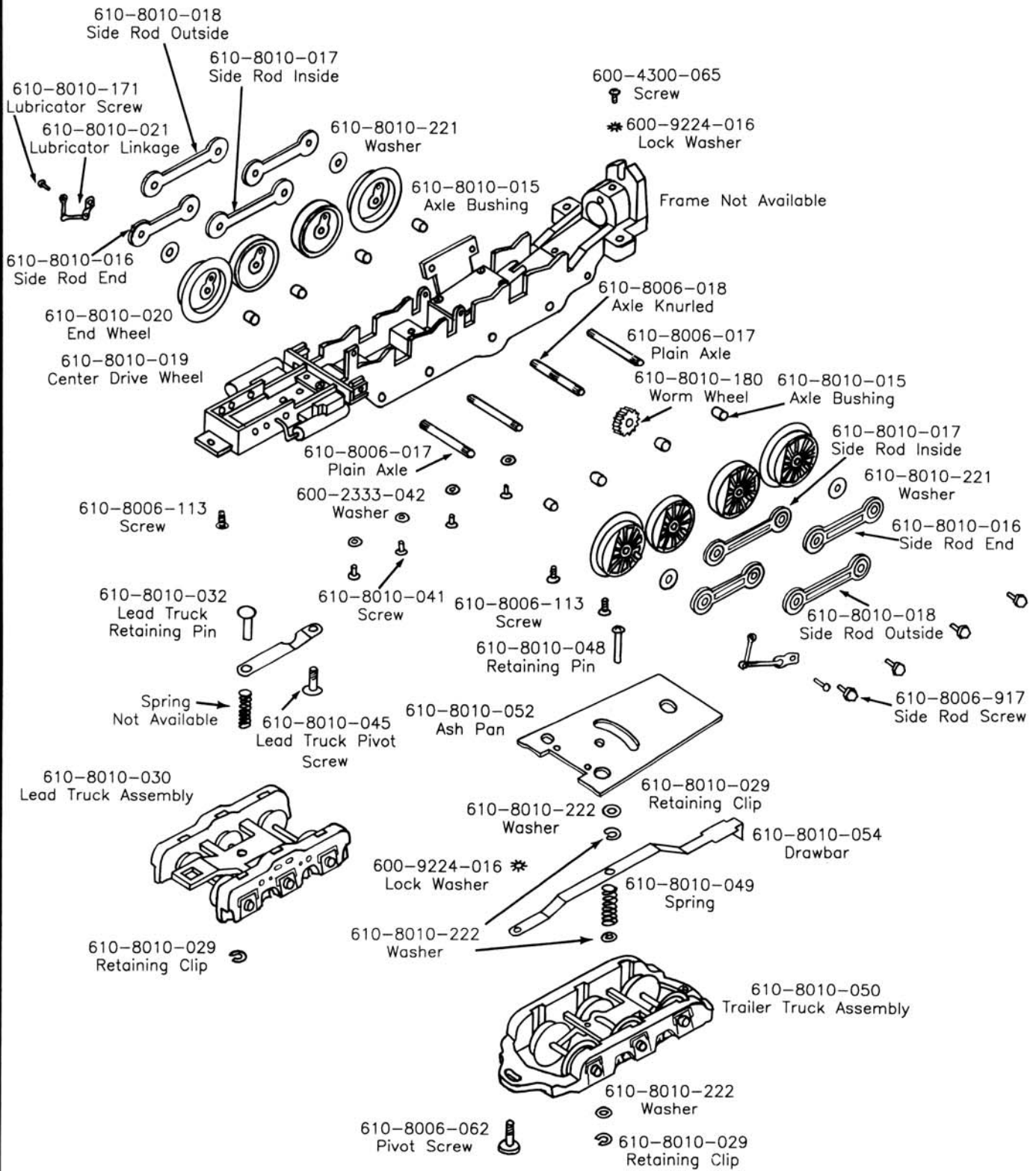
SCALE S-2 6-8-6 STEAM TURBINE 1-8010 Pennsylvania



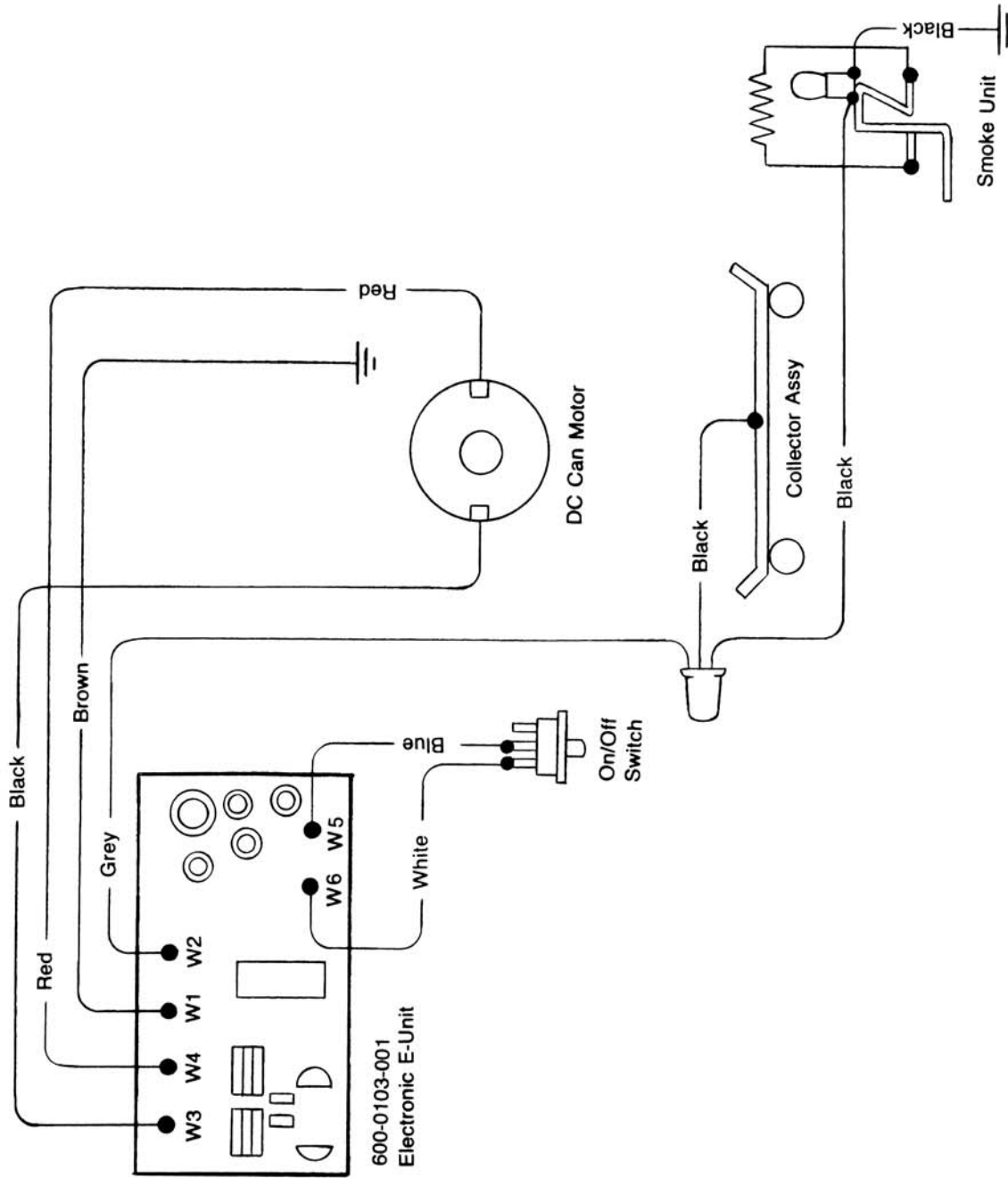
SCALE S-2 6-8-6 STEAM TURBINE 1-8010 Pennsylvania



SCALE S-2 6-8-6 STEAM TURBINE 1-8010 Pennsylvania

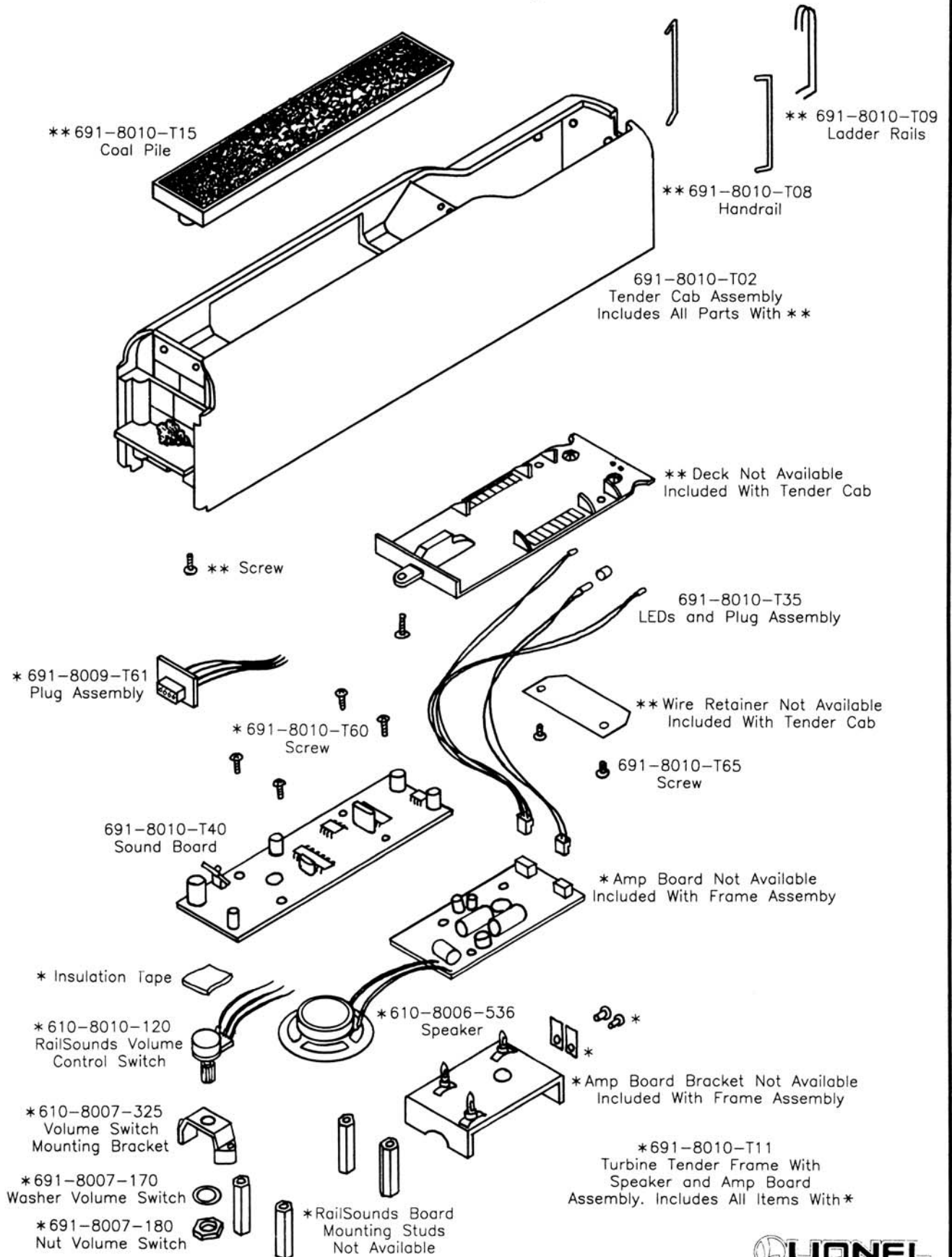


WIRING DIAGRAM FOR STEAM LOCOMOTIVES (with can motor, smoke unit, light, and electronic E-Unit 600-0103-001)



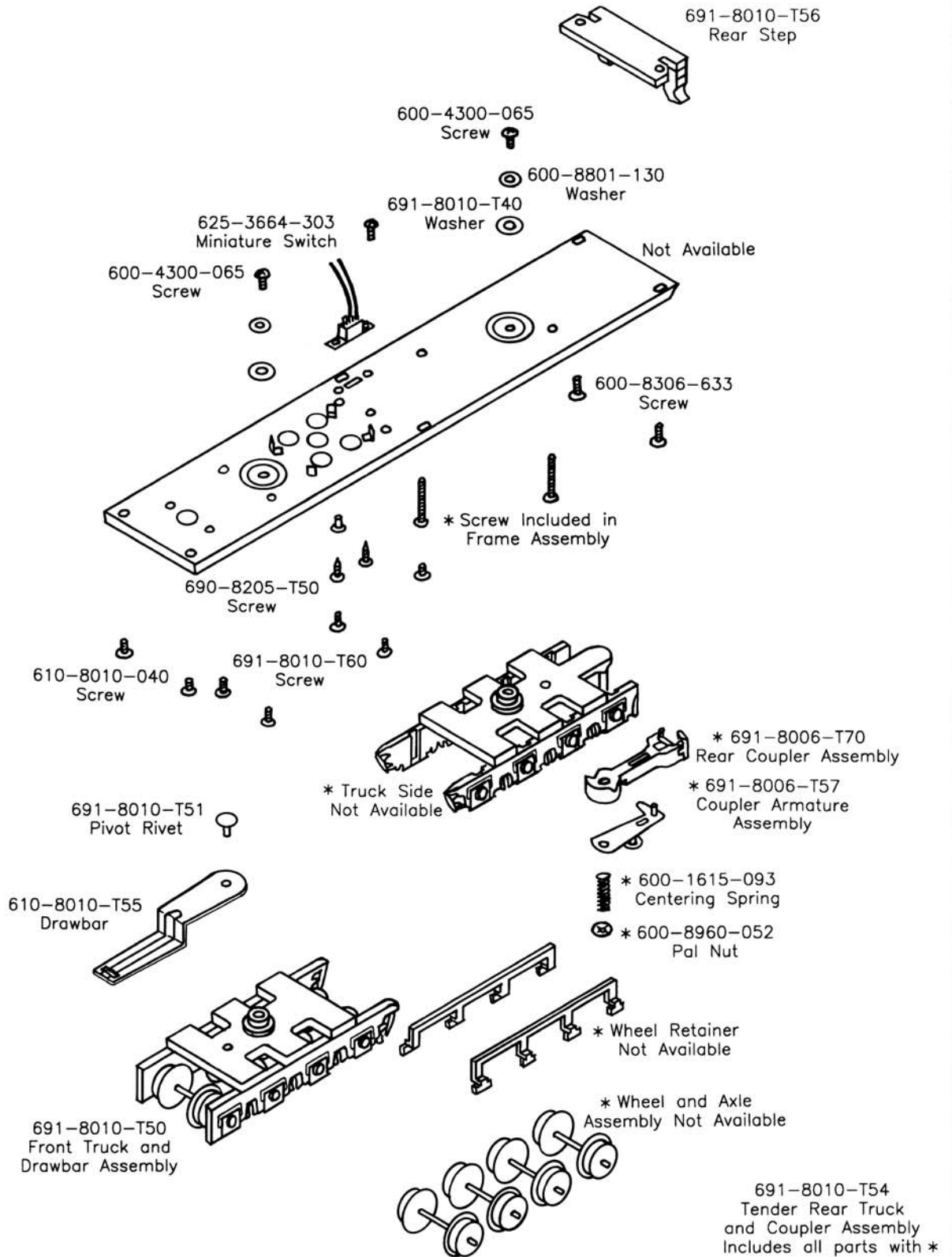
SCALE STEAM TURBINE TENDER 691-8010-T01 Pennsylvania

(Page 1 of 2)

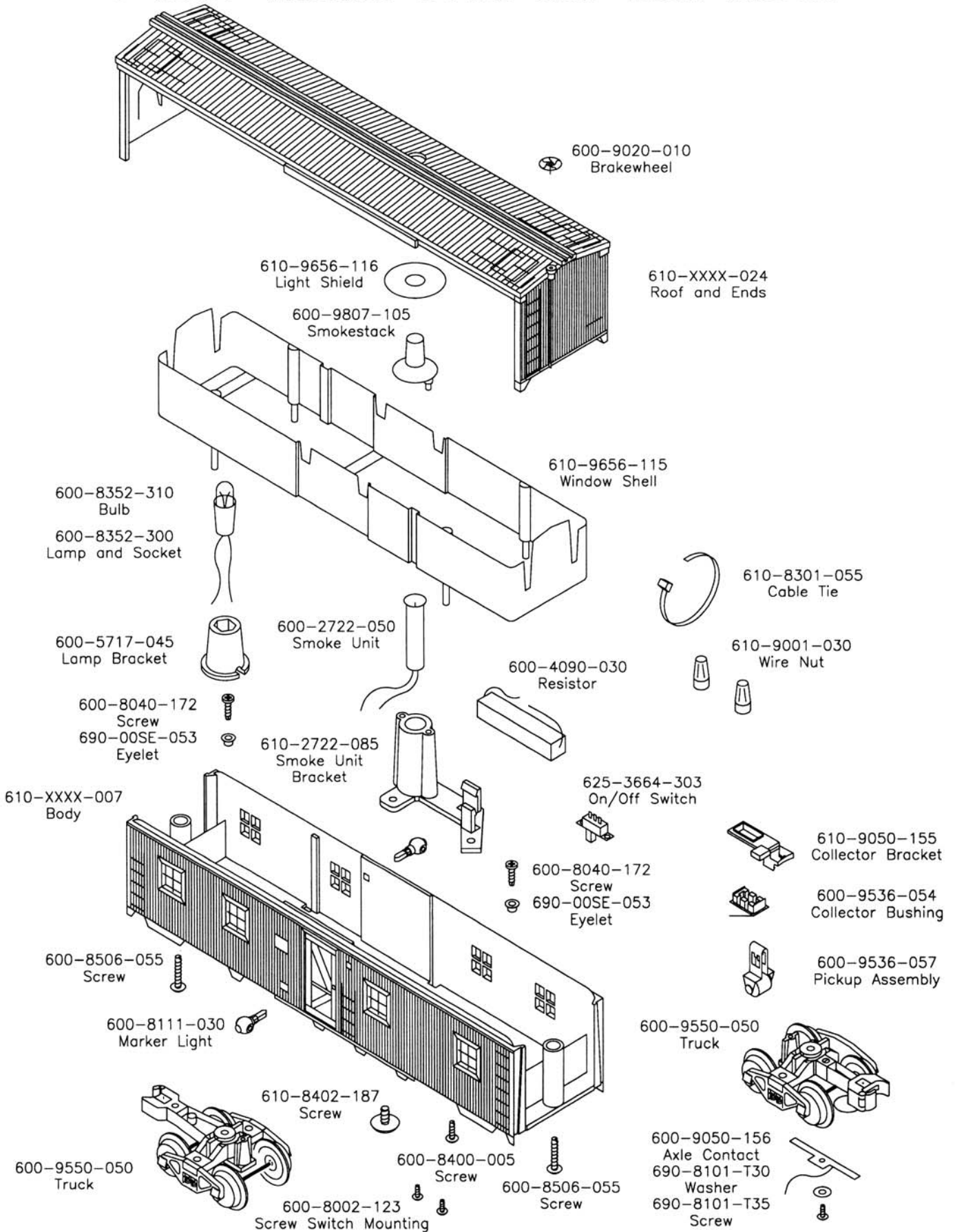


LIONEL

SCALE STEAM TURBINE TENDER 691-8010-T01 Pennsylvania



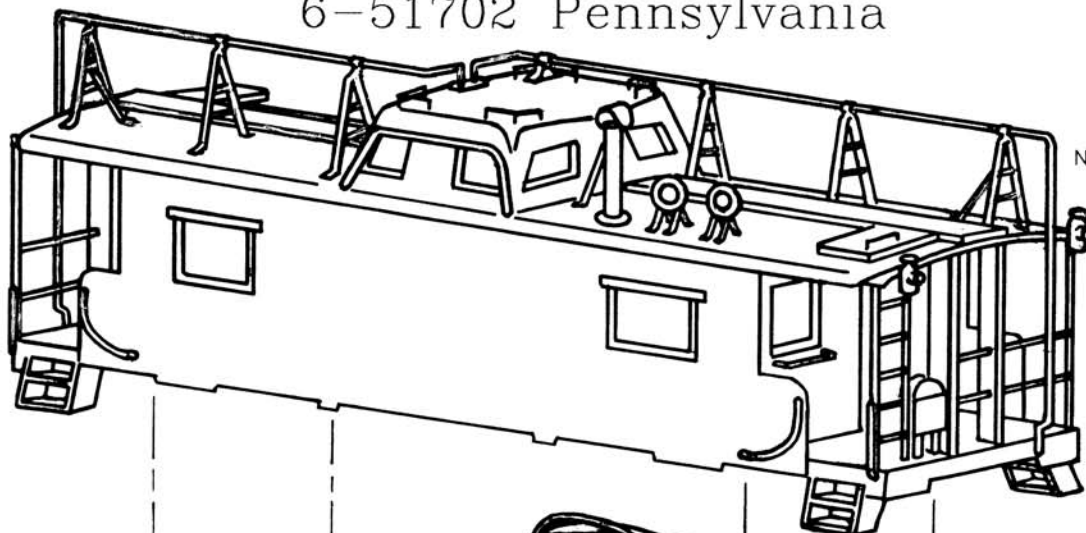
1-9656 MILWAUKEE ROAD BUNK CAR WITH SMOKE
 1-9657 WABASH BUNK CAR WITH SMOKE



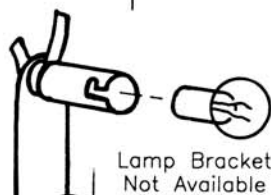
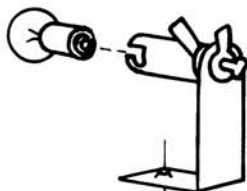
SCALE N-8 CABOOSE 6-51702 Pennsylvania

(Page 1 of 2)

610-1702-002
N-8 Caboose Body
Pennsylvania



610-1702-301
LED and Plug Assembly



610-1702-300
6V Bulb

Lamp Bracket
Not Available

625-3664-303
On/Off Switch



Smoke Unit Bracket
Not Available

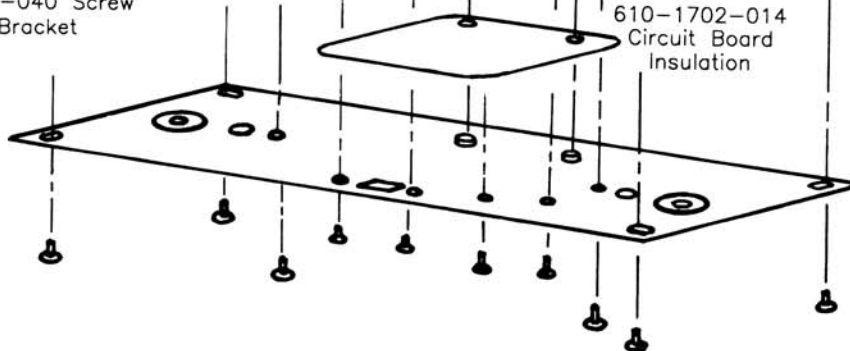
610-8010-050
Smoke Unit

610-8010-040
Screw



610-1702-015
Constant Voltage
Board

610-1702-014
Circuit Board
Insulation

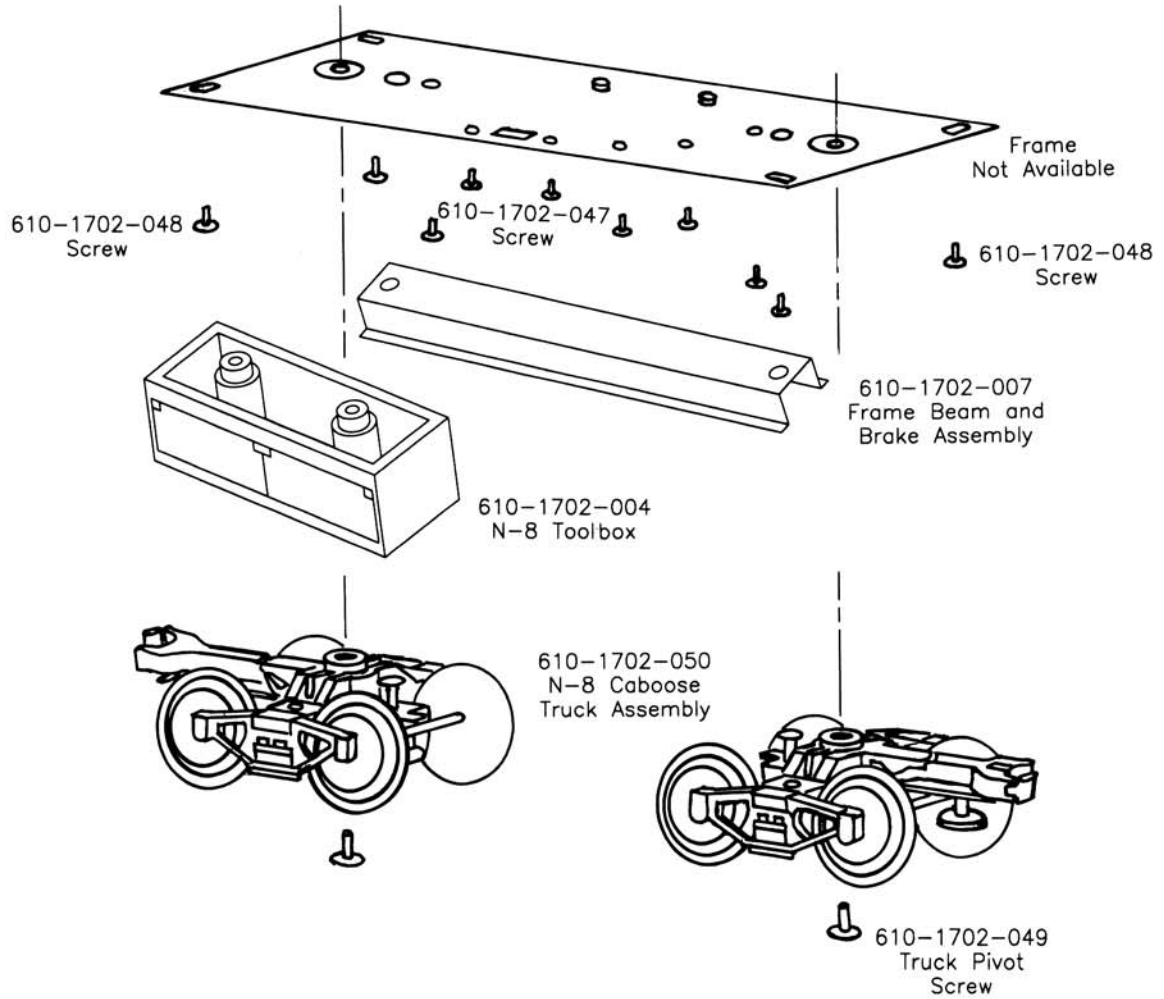


Frame
Not Available

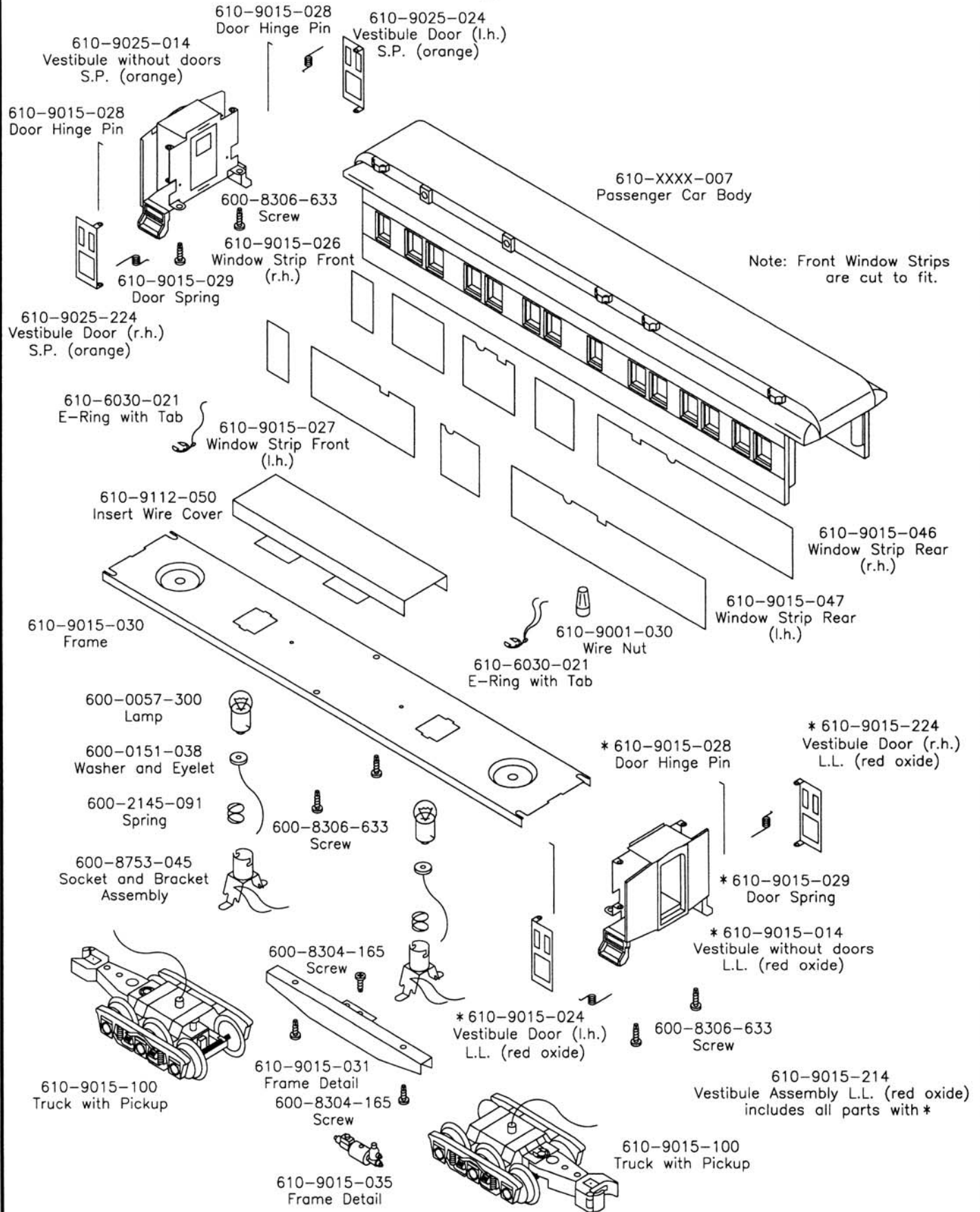
610-1702-005
N-8 Frame and Circuit
Board Assembly Includes:
Frame, 610-1702-014 Insulation,
610-1702-015 C.V. Board,
610-8010-050 Smoke Unit,
Smoke Unit Bracket,
625-3664-303 On/Off Switch
610-1702-300 Lamp,
610-8010-040 Screw
Lamp Bracket



SCALE N-8 CABOOSE
6-51702 Pennsylvania



MADISON CARS Passenger Car

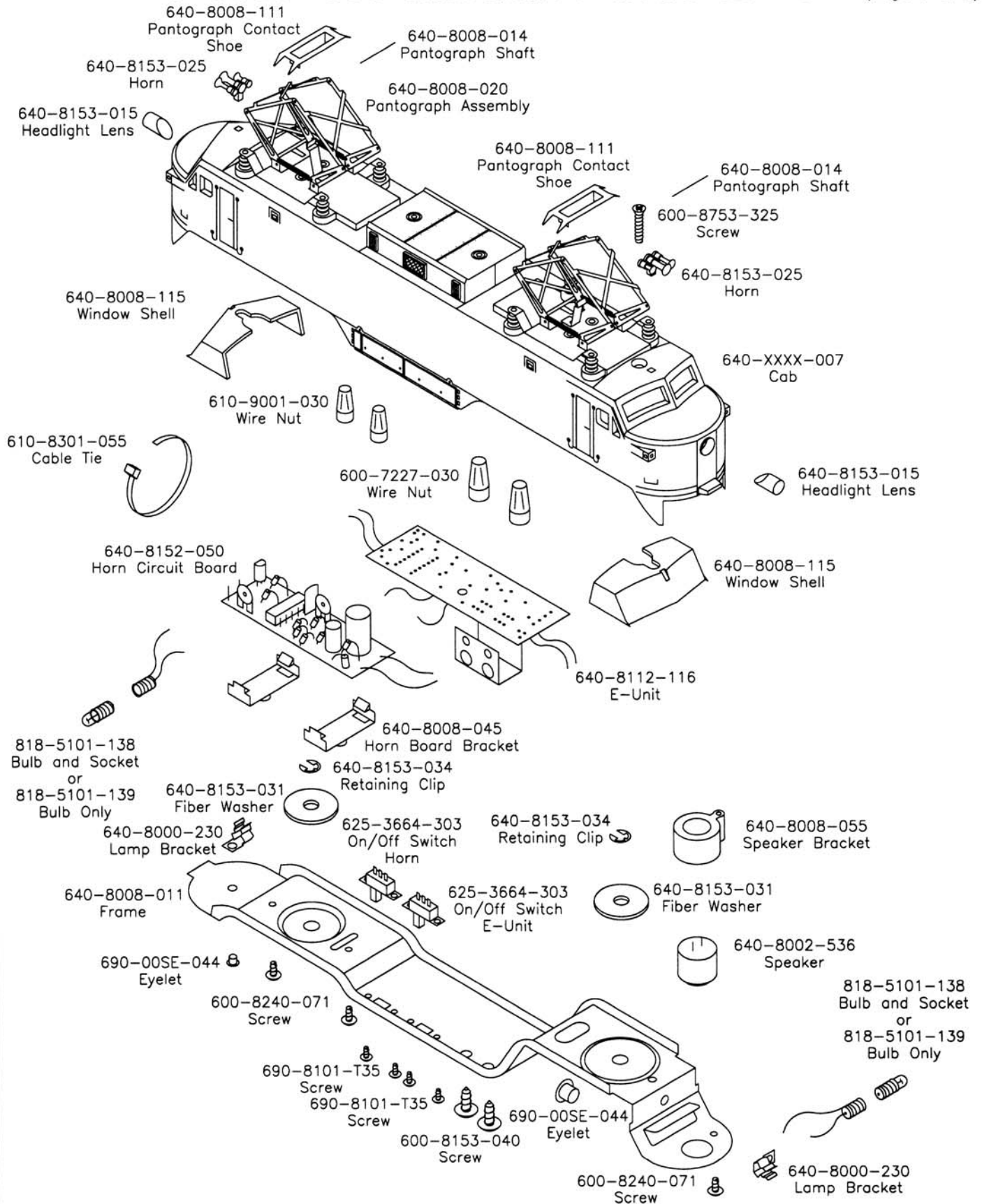


AMERICAN FLYER ELECTRIC LOCOMOTIVE

4-8008-000 New Haven EP-5

4-8010-000 Milwaukee Road EP-5

(Page 1 of 2)



AMERICAN FLYER ELECTRIC LOCOMOTIVE

4-8008-000 New Haven EP-5

4-8010-000 Milwaukee Road EP-5

(Page 2 of 2)

640-8007-200
American Flyer Dummy Truck
Frame and Wheel Assembly
Includes all parts with **

640-8251-030
Insulating Bushing
and Washer

**640-8153-186
Solid Wheel

640-8008-100
Motor Truck Assembly
Complete Includes parts
with *

**640-8155-171
Axle Shaft

**640-8155-171
Axle Shaft

**640-8155-175
Wheel and Insulation
Bushing Assembly

690-2020-M09
Solder Lug

**640-8007-210
Truck Frame and
Yoke Assembly

640-8251-030
Insulating Bushing
and Washer

640-8153-075
Leaf Spring

818-7401-022
Screw

*650-8400-005
Screw

*640-8007-140
Yoke and Stud
Assembly

640-8008-072
Frame Truck Side and
Coupler Assembly Silver
New Haven

*600-0152-046
Solder Lug

*640-8251-111
Gear Cover

*640-8007-120
Motor and Gear
Assembly

640-8008-074
Arm and Coupler
Assembly

600-8753-075
Screw

*640-8251-033
Screw

*640-8251-033
Screw

640-8153-032
Rivet

640-8153-084
Collector Frame

*640-8251-109
Shaft and Gear
Assembly

*640-8007-110
Motor Mount

640-8153-085
Collector Spring

A *640-8153-187
Thrust Plate

*640-8153-171
Knurled Axle

A *640-8153-177
Traction Tire

640-8153-083
Collector Shoe

*640-8112-033
Screw

*640-8153-190
Traction Wheel and
Insulation Bushing Assembly

*Truck Frame
(Not Sold)

*640-8153-189
Axle Bushing

*640-8153-184
Worm Wheel

*640-8350-102
Frame and Wheel
Assembly Includes:
Frame, Axle, Axle Bushings,
Gears, and Wheels

*640-8350-186
Solid Traction Wheel

*640-8112-033
Screw

A *640-8153-188
Wick

A * Not included in
640-8350-102 Frame and Wheel
Assembly, but included in
640-8008-100 Motor Truck
Assembly

A *640-8153-177
Traction Tire

*640-8153-189
Axle Bushing

640-8010-072
Frame Truck Side and
Coupler Assembly Black
Milwaukee Road

*640-8153-186
Solid Wheel

600-8753-075
Screw

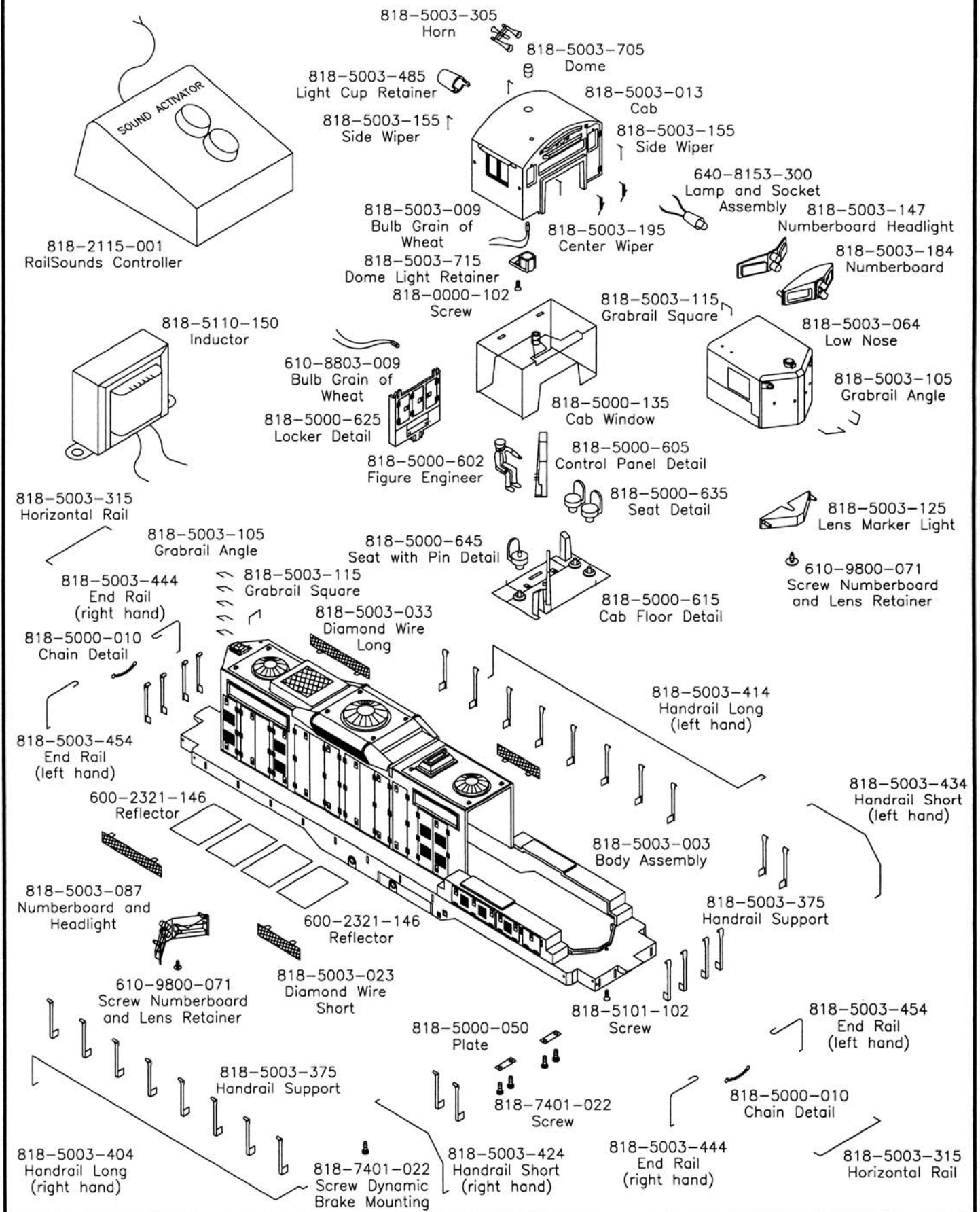
640-8153-075
Leaf Spring

640-8008-074
Arm and Coupler Assembly

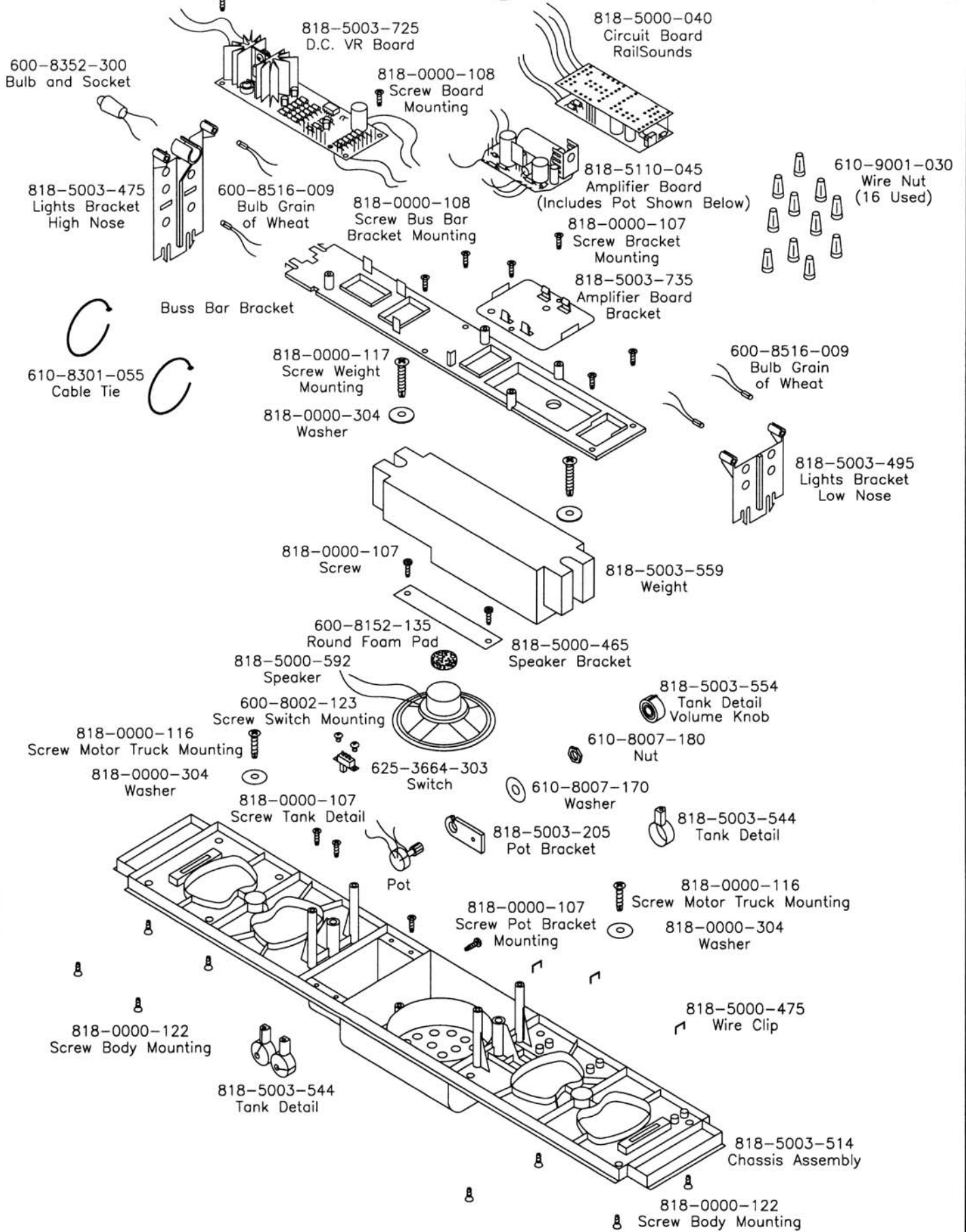
640-8153-032
Rivet

LARGE SCALE GP-20 DIESEL LOCOMOTIVE

8-85003 Burlington Northern



LARGE SCALE GP-20 DIESEL LOCOMOTIVE 8-85003 Burlington Northern



LARGE SCALE GP-20 DIESEL LOCOMOTIVE 8-85003 Burlington Northern

