



PARTS LISTS AND EXPLODED DIAGRAMS

SUPPLEMENT 22

By Gary T. Svehar

Edited by Cindy Lee Floyd

*Diagrams by Steven Gugel and
Lionel Trains, Inc.*

Notice to the User

This supplement is designed to fit with two different publications, the *Lionel Service Manual* by Lionel Trains, Inc., and *Lionel Parts Lists and Exploded Diagrams* published by Greenberg Publishing Company, Inc. Each page has two page numbers. The number for the *Lionel Service Manual* is indicated by parentheses, e.g., (A-35). The number which applies to *Lionel Parts Lists and Exploded Diagrams* is above the parentheses, e.g., S22:1-3.

We recommend that readers with the *Lionel Service Manual* insert the pages according to the numbers in the parentheses. On the other hand, we recommend that readers with *Lionel Parts Lists and Exploded Diagrams* keep the pages as a set and insert them into a Supplement binder. Binders to match the 1970-1986 binder are available from Kalmbach Publishing, for \$9.95 plus \$3.00 shipping and handling. Please call 1-800-533-6464 to place your order. A comprehensive index to the *Lionel Parts Lists and Exploded Diagrams* will be issued periodically, and will take the place of the index at the front of the original 1970-1986 manual.

Authorized by Lionel® Trains, Inc.

Published by Greenberg® Publishing Company, Inc.

Copyright © 1992 by Lionel Trains, Inc.

All rights reserved.

Greenberg Publishing Company, Inc.

7566 Main Street

Sykesville, Maryland 21784

(410) 795-7447

Manufactured in the United States of America

All rights reserved. No part of this book may be reproduced in any form or by any means, including electronic, photocopying or recording, or by any information storage system, without written permission of the publisher, except in the case of brief quotations used in critical articles and reviews.

Greenberg Publishing Company, Inc., publishes the world's largest selection of Lionel, American Flyer, LGB, Marx, Ives, and other toy train publications as well as a selection of books on model and prototype railroading, dollhouse building, and collectible toys. For a complete listing of current Greenberg publications, please call 1-800-533-6644 or write to Kalmbach Publishing Co., 21027 Crossroads Circle, Waukesha, Wisconsin 53187.

Greenberg Shows, Inc., sponsors *Greenberg's Great Train, Dollhouse and Toy Shows*, the world's largest of its kind. The shows feature extravagant operating train layouts and a display of magnificent dollhouses. The shows also present a huge marketplace of model and toy trains, for HO, N, and Z Scales; Lionel O and Standard Gauges; and S and 1 Gauges; plus layout accessories and railroading. They also offer a large selection of dollhouse miniatures and building materials, and collectible toys. Shows are scheduled along the East Coast each year from Massachusetts to Florida. For a list of our current shows, please call (410) 795-7447 or write to Greenberg Shows, Inc., 7566 Main Street, Sykesville, Maryland 21784 and request a show brochure.

Greenberg Auctions, a division of Greenberg Shows, Inc., offers nationally advertised auctions of toy trains and toys. Please contact our auction manager at (410) 795-7447 for further information.

ISBN 0-89778-368-9

ALPHABETICAL INDEX TO LIONEL PARTS LISTS AND EXPLODED DIAGRAMS SUPPLEMENT 22

ALPHABETICAL INDEX

O AND O27 GAUGES

Diesel Engines and Electrics

Budd RDC	S22:1-1
610-8507-001	
GP-7 Diesel Locomotive	S22:1-2, 3, 4, 5
1-8504 610-0400-001	

Dummy Units

Budd Car Dummy	S22:2-1
610-8508-001	
GP-7 Dummy	S22:2-2, 3, 4
610-0401-001	

Steam Locomotives

4-8-4 Northern Steam Locomotive	S22:3-1, 2, 3
6-18016	

Tenders

Northern Tender	S22:4-1, 2
691-8016-T01	

Operating Cars

Track Maintenance Cars	S22:11-1
1-6610 1-6618 1-6620	

AMERICAN FLYER S GAUGE by LIONEL

Diesel Engines

PA-1 Diesel Locomotive	S22:17-1, 2
6-48114 6-48120	

Dummy Units

PA-1 Dummy Diesel Locomotive	S22:17-3, 4
6-48115 6-48121	
PB-1 Dummy	S22:17-5, 6
6-48117 6-48122	

**NUMERICAL INDEX TO
LIONEL PARTS LISTS AND EXPLODED DIAGRAMS
SUPPLEMENT 22**

NUMERICAL LISTING

610-0401-001	S22:2-2, 3, 4	6-48117	S22:17-5, 6
1-6610	S22:11-1	6-48120	S22:17-1, 2
1-6618	S22:11-1	6-48121	S22:17-3, 4
1-6620	S22:11-1	6-48122	S22:17-5, 6
1-8504	S22:1-2, 3, 4, 5	610-0400-001	S22:1-2, 3, 4, 5
6-18016	S22:3-1, 2, 3	610-8507-001	S22:1-1
6-48114	S22:17-1, 2	610-8508-001	S22:2-1
6-48115	S22:17-3, 4	691-8016-T01	S22:4-1, 2

LIONEL SERVICE MANUAL

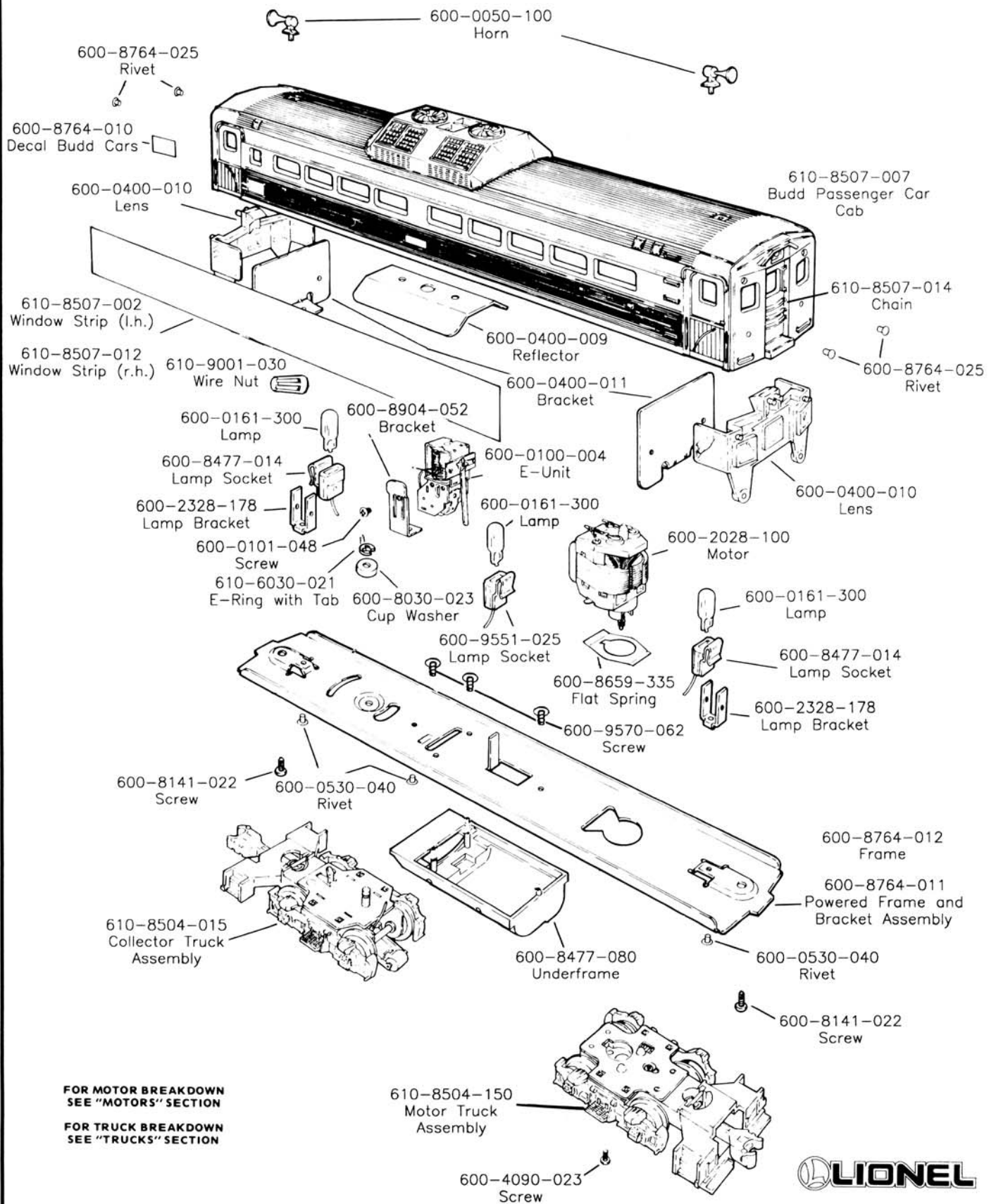
BY LIONEL SERVICE

Supplement 22

Description	Drawing
Steam Locomotives:	
4-8-4 Northern Steam Locomotive 6-18016	(A-50), (A-50-2), (A-50-3)
Diesel Engines and Electrics:	
Budd RDC 610-8507-001	(B-45)
GP-7 Diesel 1-8504 610-0400-001	(B-44), (B-44-2), (B-44-3), (B-44-4)
Tenders:	
Northern Tender 691-8016-T01	(C-34), (C-34-2)
Budd Car Dummy 610-8508-001	(C-35)
GP-7 Dummy 1-0401	(C-36), (C-36-2), (C-36-3)
Operating Cars:	
Track Maintenance Cars 1-6610 1-6618 1-6620	(F-98)
American Flyer:	
American Flyer PA-1 Diesel Locomotive 6-48114 6-48120	(SB-4), (SB-4-2)
American Flyer PA-1 Dummy 6-48115 6-48121	(SC-3), (SC-3-2)
American Flyer PB-1 Dummy 6-48117 6-48122	(SC-4), (SC-4-2)

BUDD PASSENGER CAR POWERED

610-8507-001 Canadian National

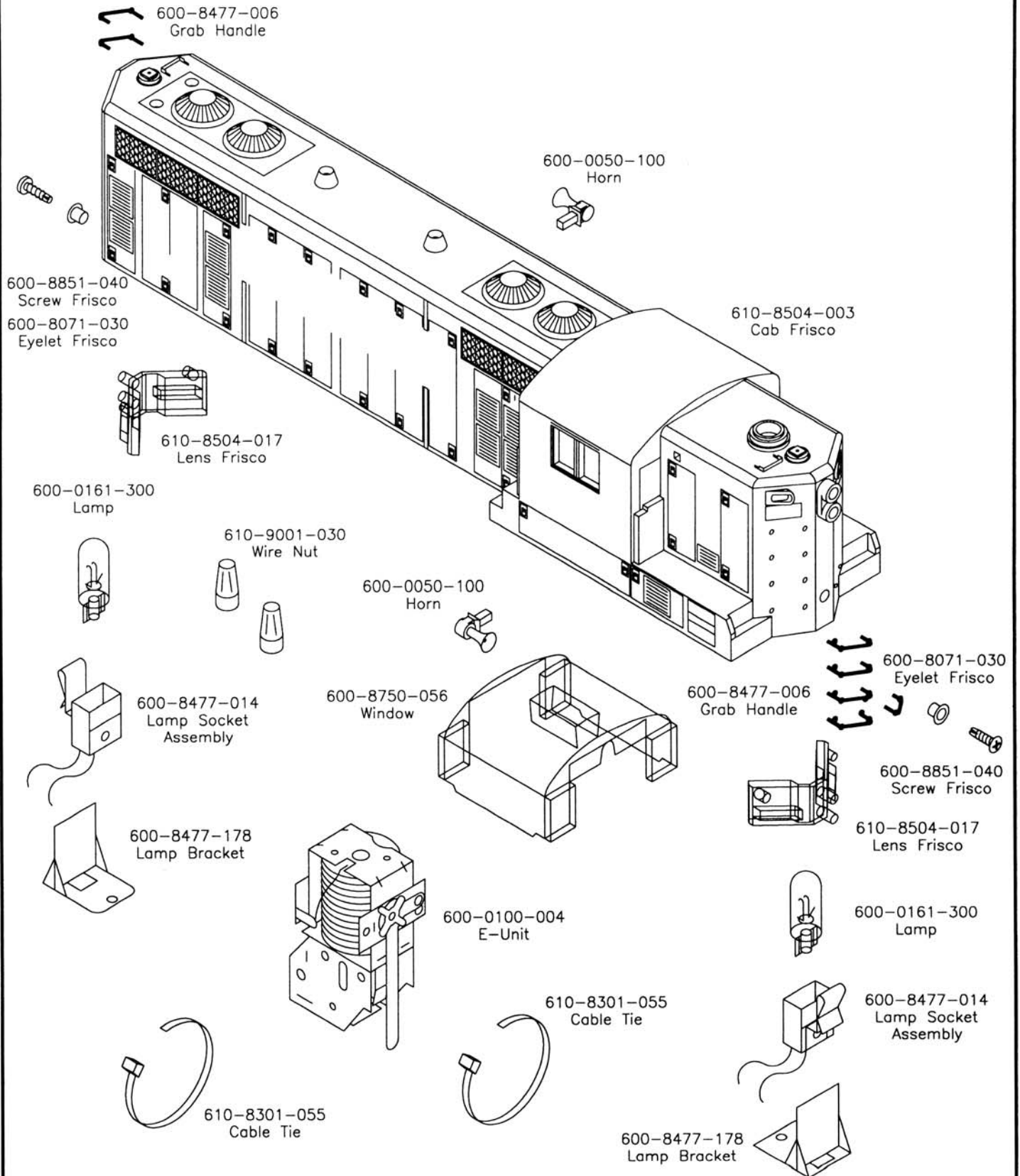


GP-7 DIESEL LOCOMOTIVE

1-8504 Frisco

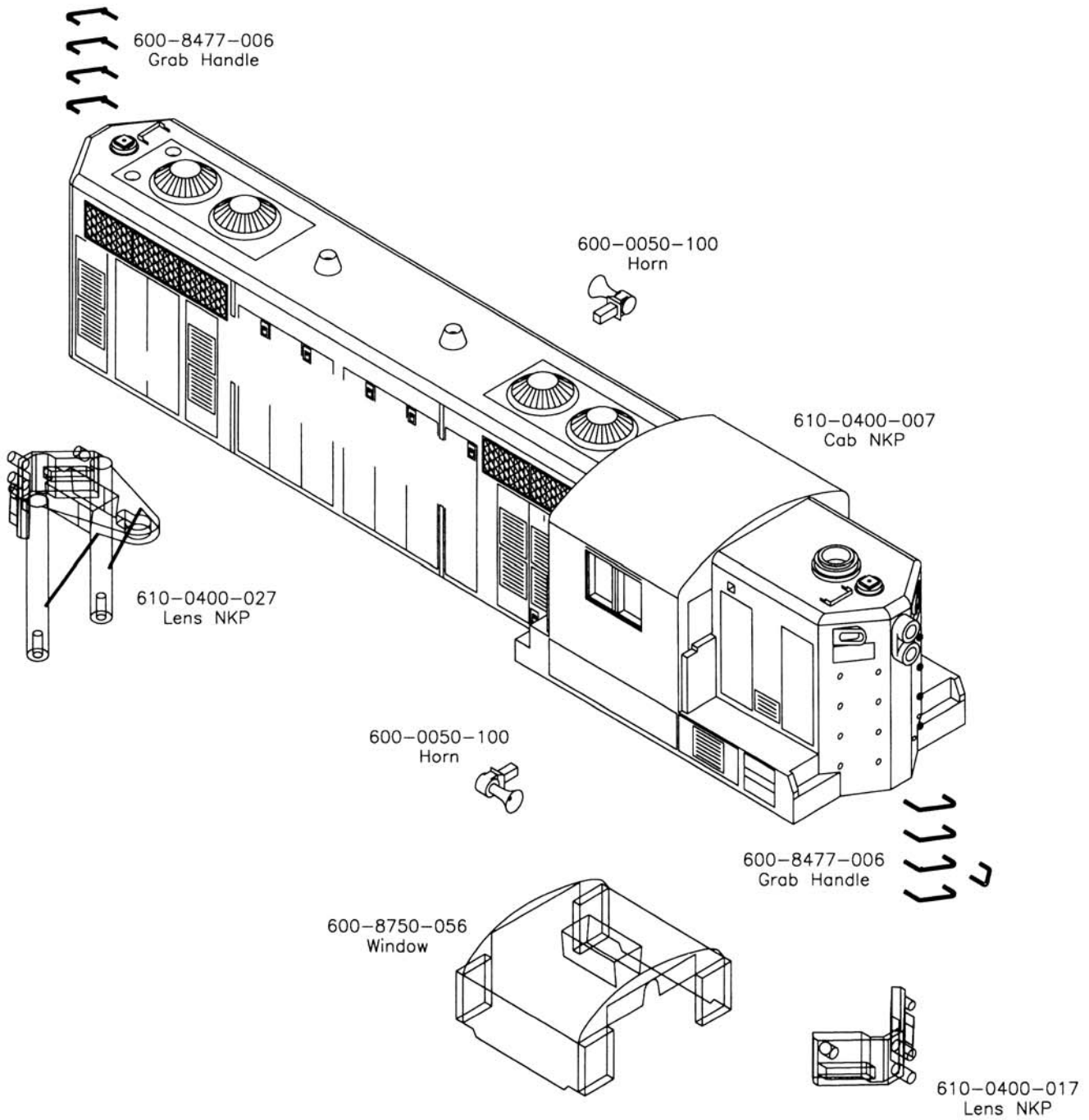
610-0400-001 Nickel Plate Road

(Page 1 of 4)

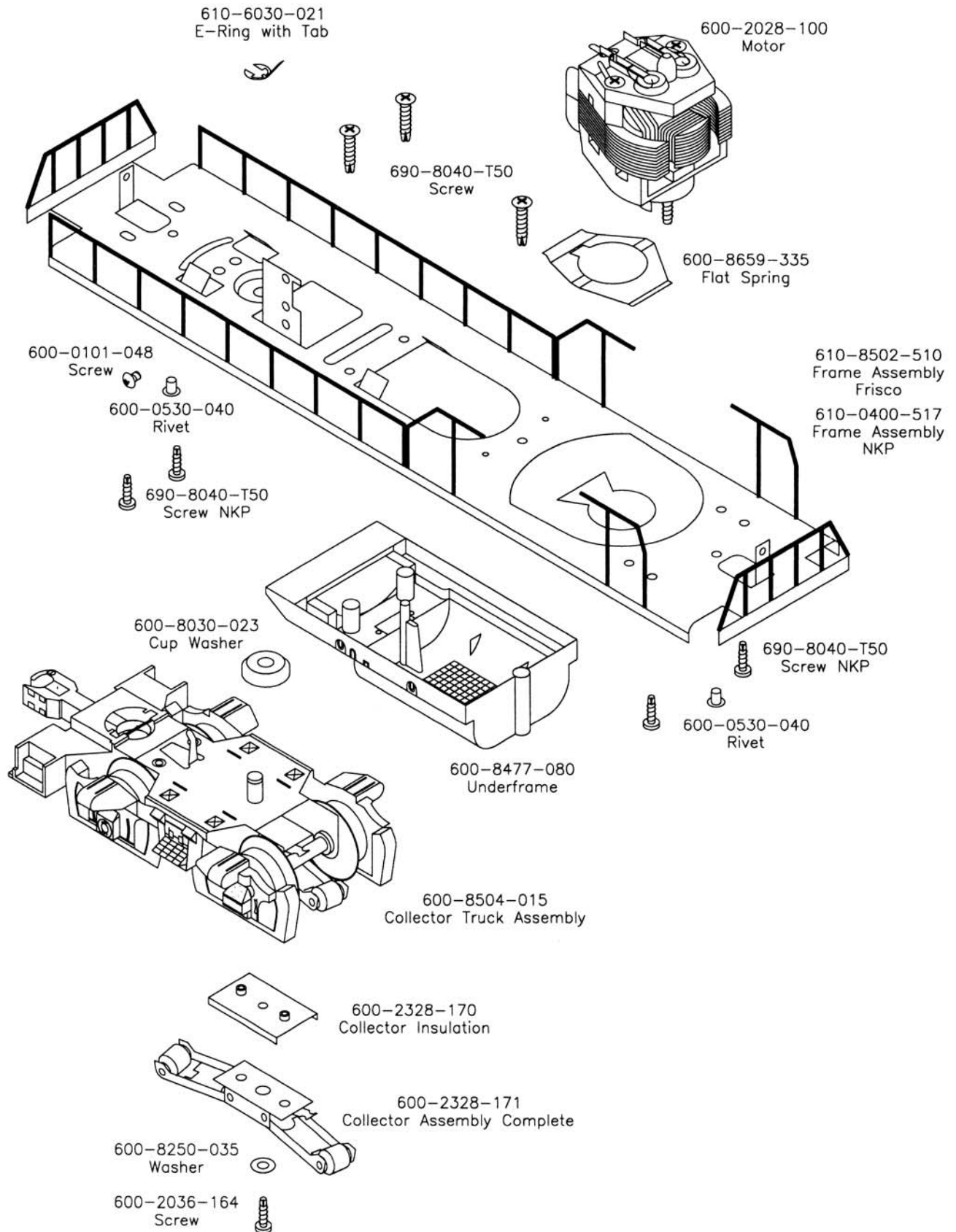


GP-7 DIESEL LOCOMOTIVE 610-0400-001 Nickel Plate Road

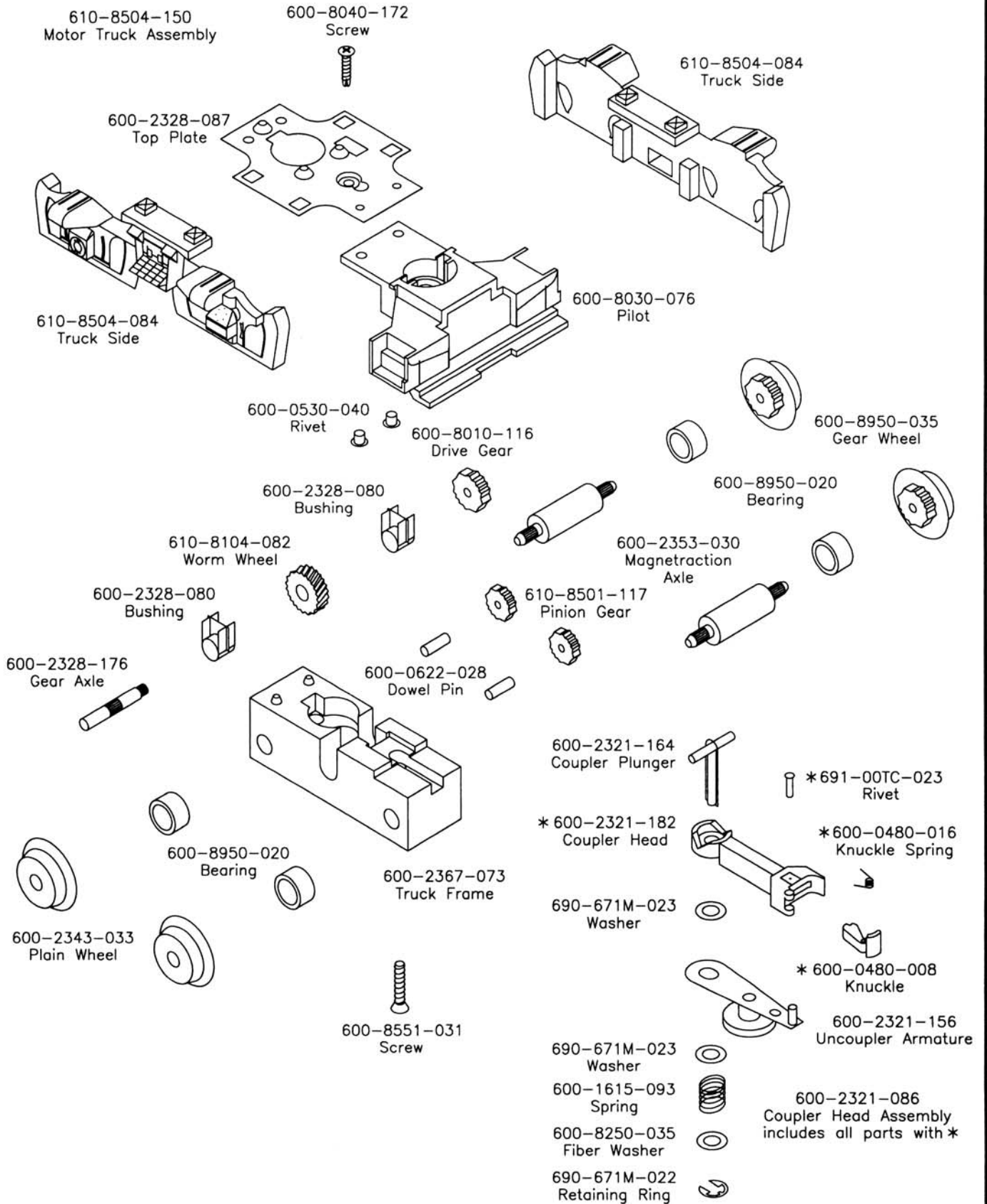
(Page 2 of 4)



GP-7 DIESEL LOCOMOTIVE
 1-8504 Frisco
 610-0400-001 Nickel Plate Road

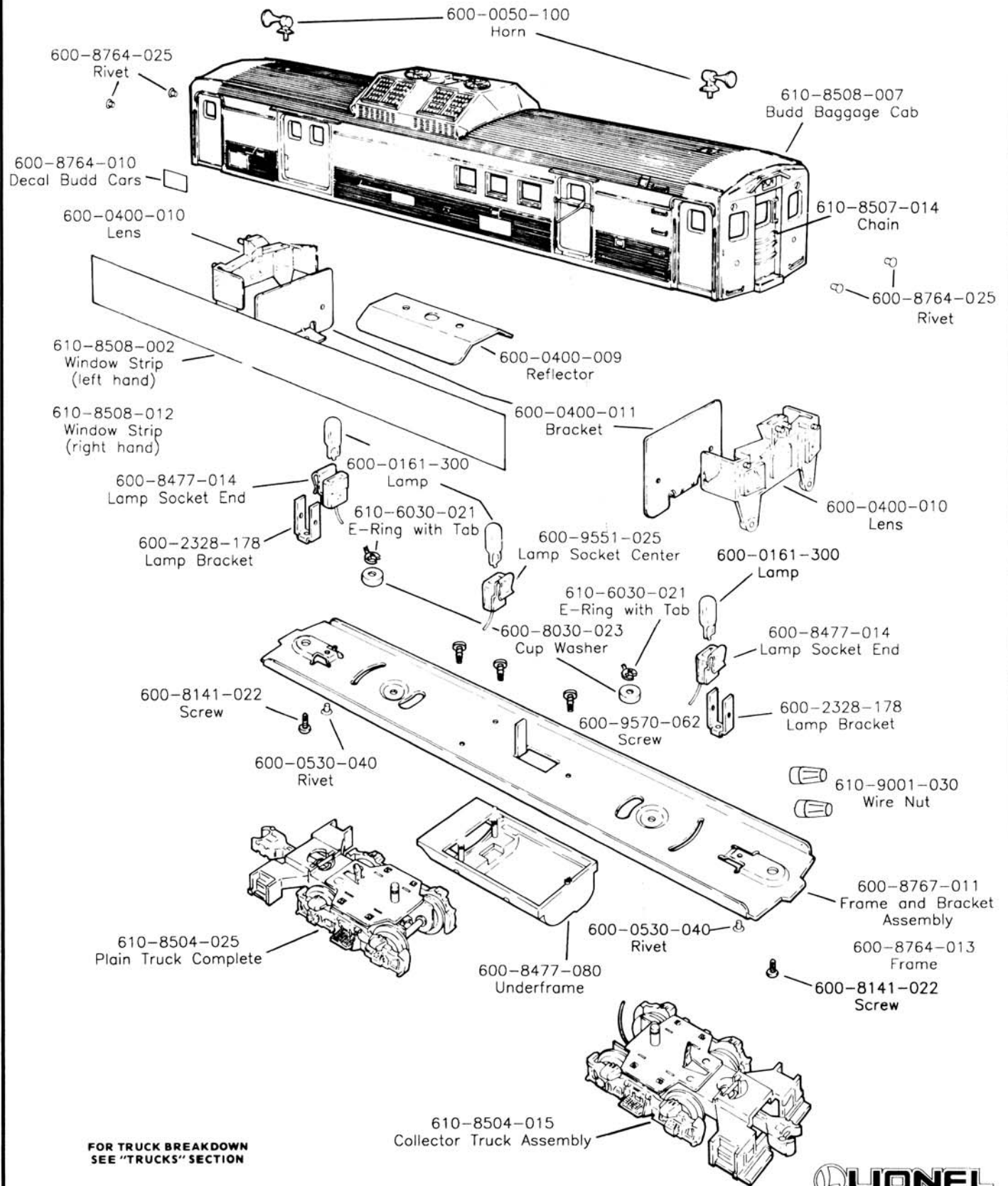


GP-7 DIESEL LOCOMOTIVE
 1-8504 Frisco
 610-0400-001 Nickel Plate Road



BUDD BAGGAGE CAR DUMMY

610-8508-001 Canadian National

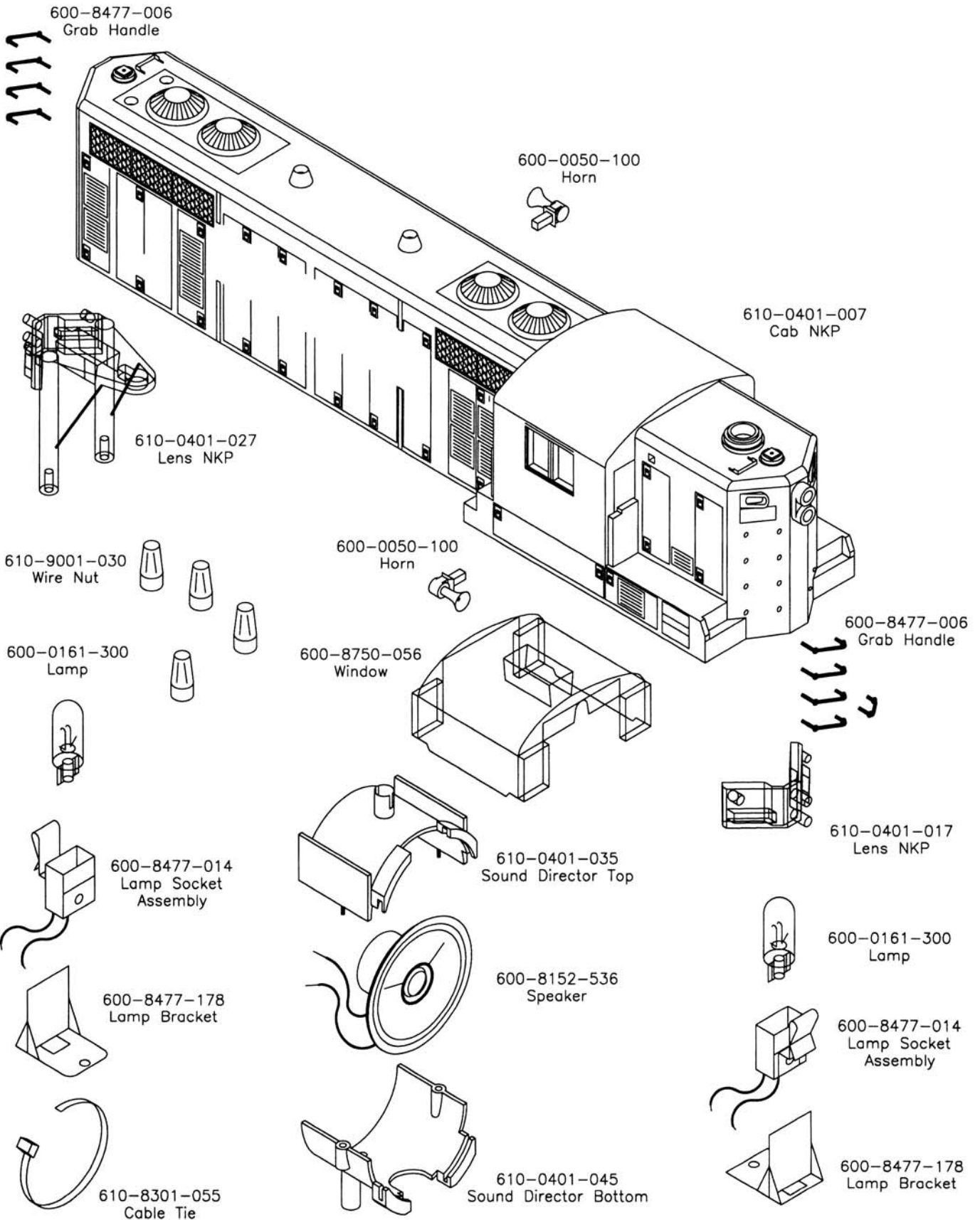


FOR TRUCK BREAKDOWN
SEE "TRUCKS" SECTION



DUMMY GP-7 DIESEL LOCOMOTIVE WITH RAILSOUNDS

610-0401-001 Nickel Plate Road



DUMMY GP-7 DIESEL LOCOMOTIVE WITH RAILSOUNDS

610-0401-001 Nickel Plate Road

610-8007-110
Amplifier Board
includes
610-8007-120
Volume Switch

610-8808-040
Sound Board
Diesel

610-8810-045
E-Unit Bracket

690-671M-022
Retaining Clip

690-8040-T50
Screw

610-8206-095
Circuit Board
Mounting Bracket

610-6030-021
E-Ring with Tab

600-8240-071
Screw

600-0530-040
Rivet

610-0401-517
Frame Assembly
NKP

690-8040-T50
Screw

610-8007-120
Volume Control Switch
not available separately

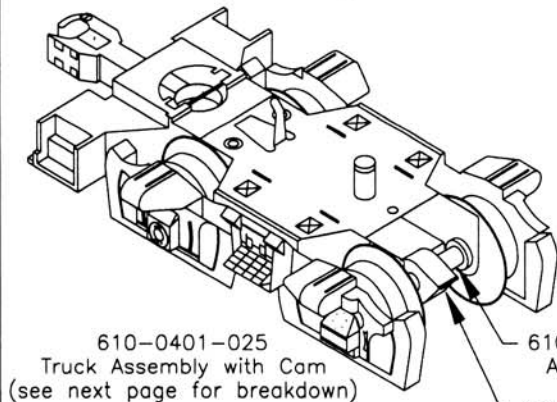
610-0401-165
Switch Mounting
Bracket

610-0401-162
Diesel Sound
Switch

818-7401-012
Screw

690-8040-T50
Screw

600-0530-040
Rivet



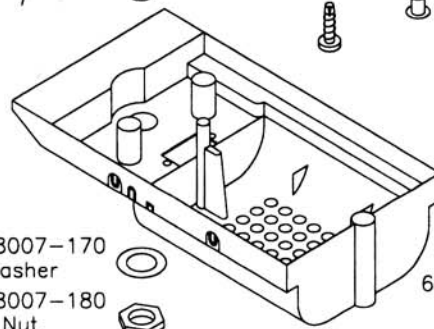
610-0401-025
Truck Assembly with Cam
(see next page for breakdown)

610-8102-525
Axle Knurled

610-0401-515
Cam

610-8007-170
Washer

610-8007-180
Nut



610-0401-085
Underframe

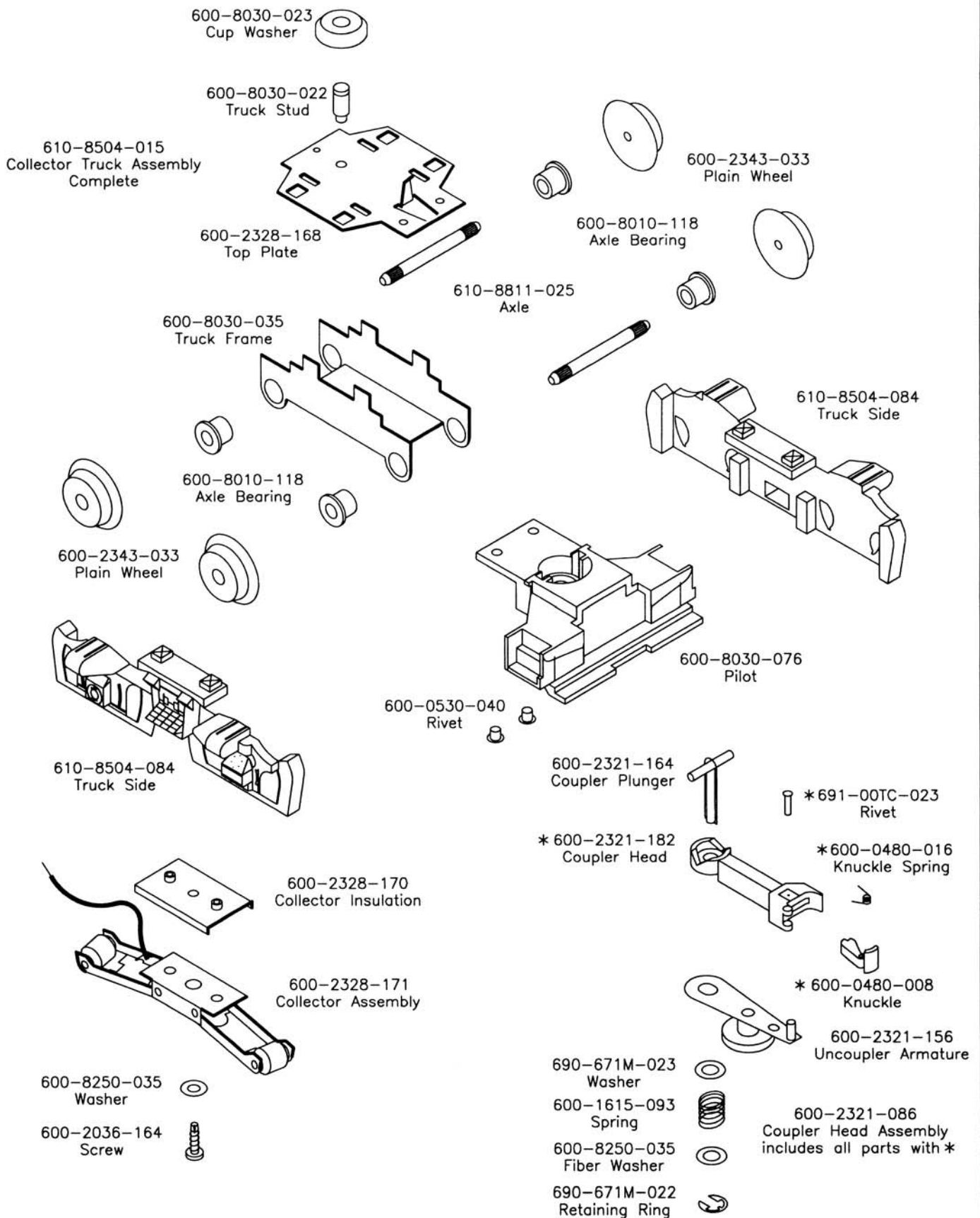
625-3664-303
Switch

818-7401-012
Screw

DUMMY GP-7 DIESEL LOCOMOTIVE WITH RAILSOUNDS

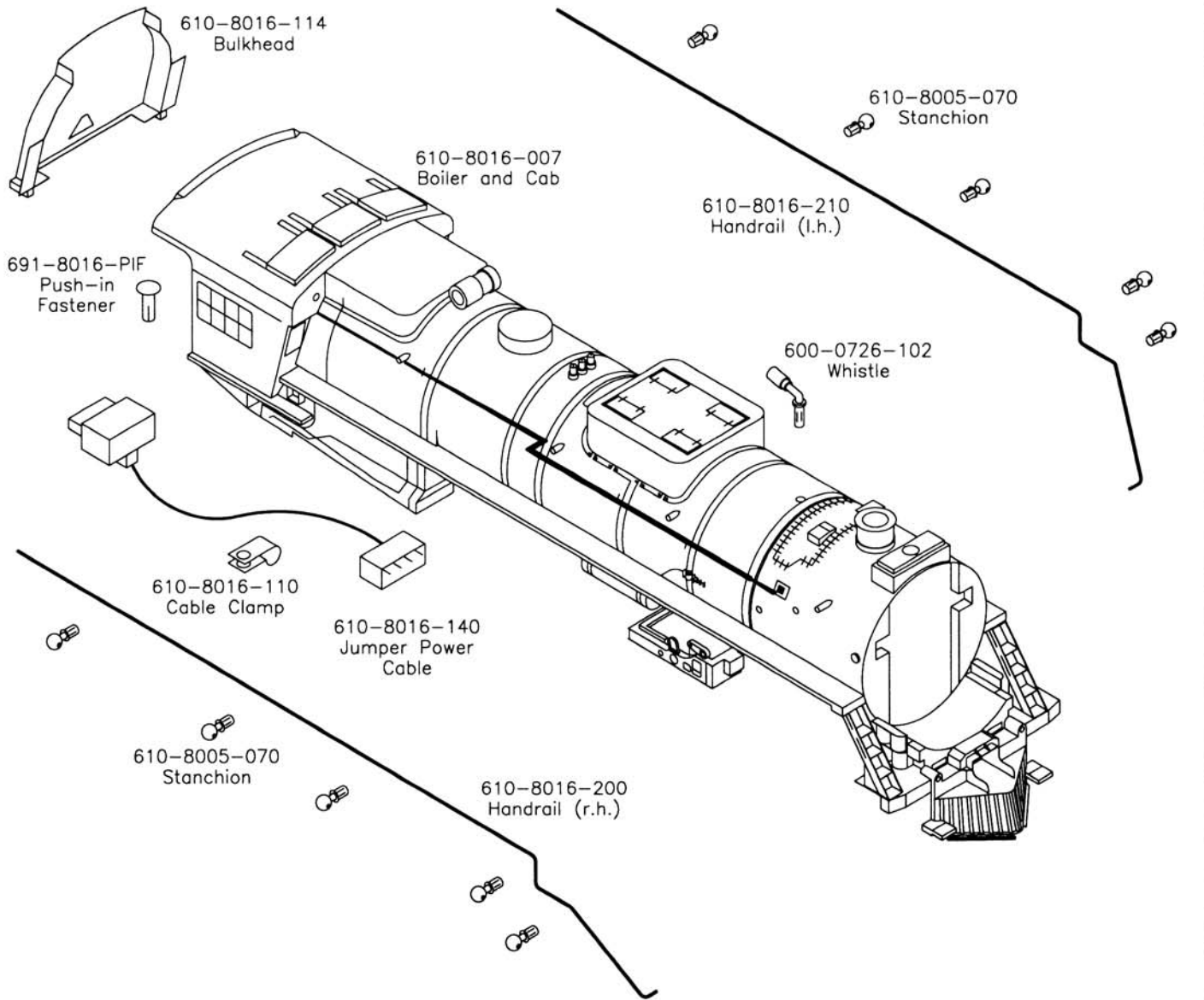
610-0401-001 Nickel Plate Road

(Page 3 of 3)

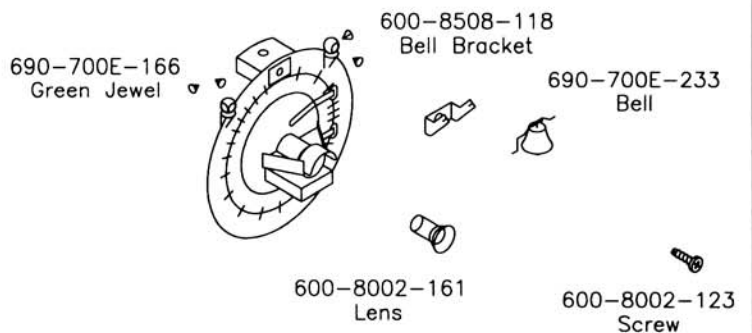


4-8-4 NORTHERN STEAM LOCOMOTIVE 6-18016 Northern Pacific

(Page 1 of 3)

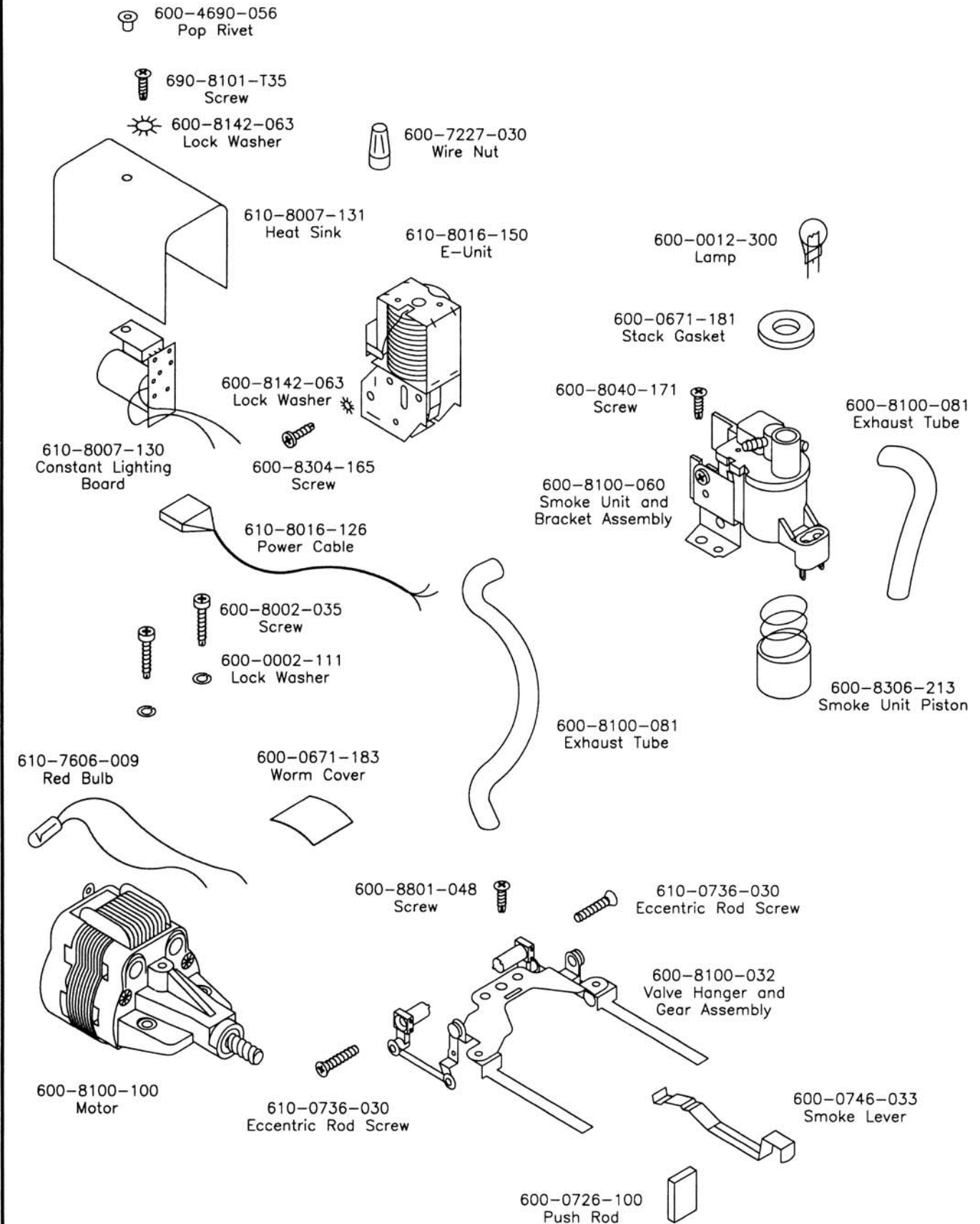


610-8016-117
Boiler Front Assembly
includes all parts at right



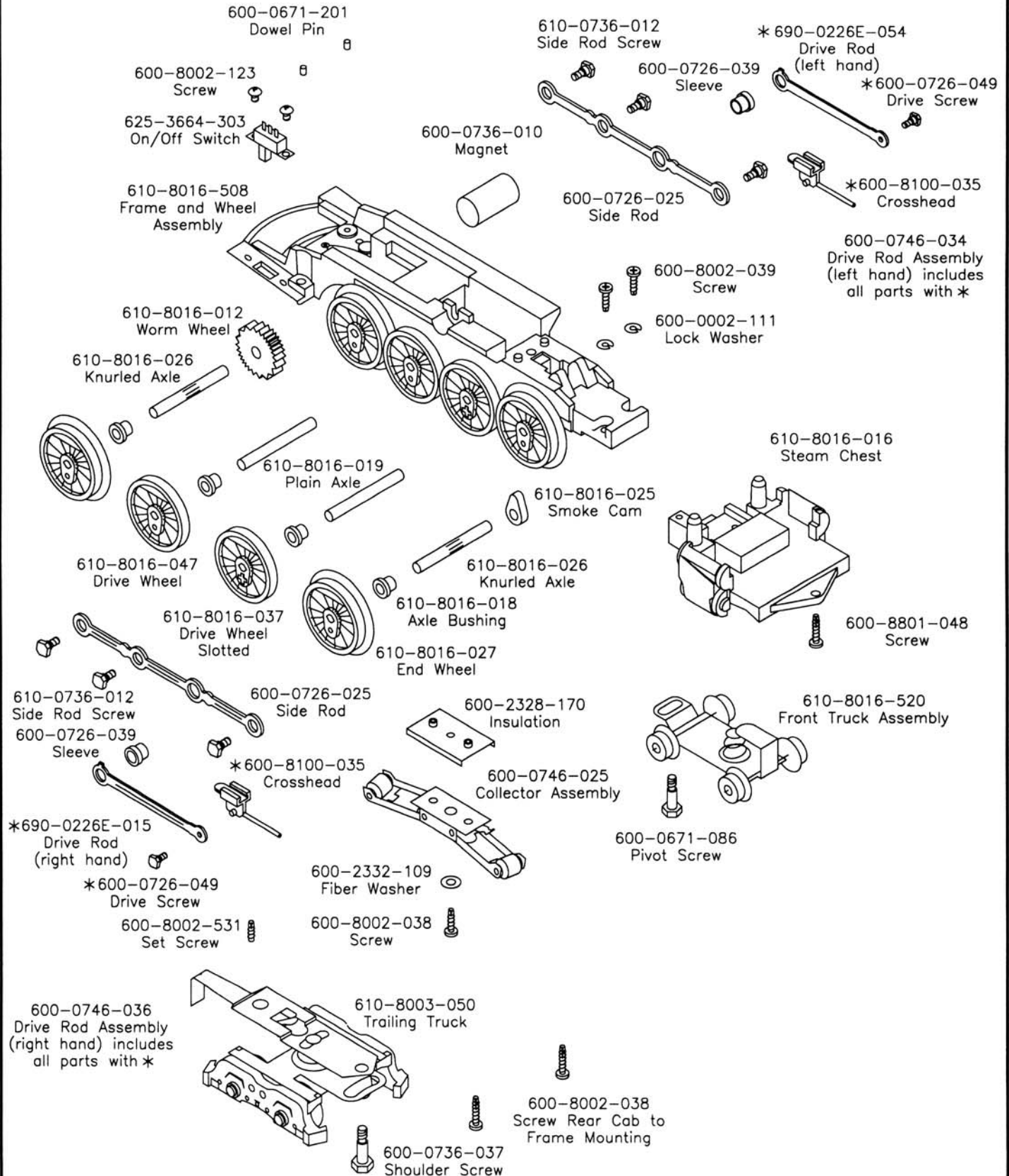
4-8-4 NORTHERN STEAM LOCOMOTIVE 6-18016 Northern Pacific

(Page 2 of 3)

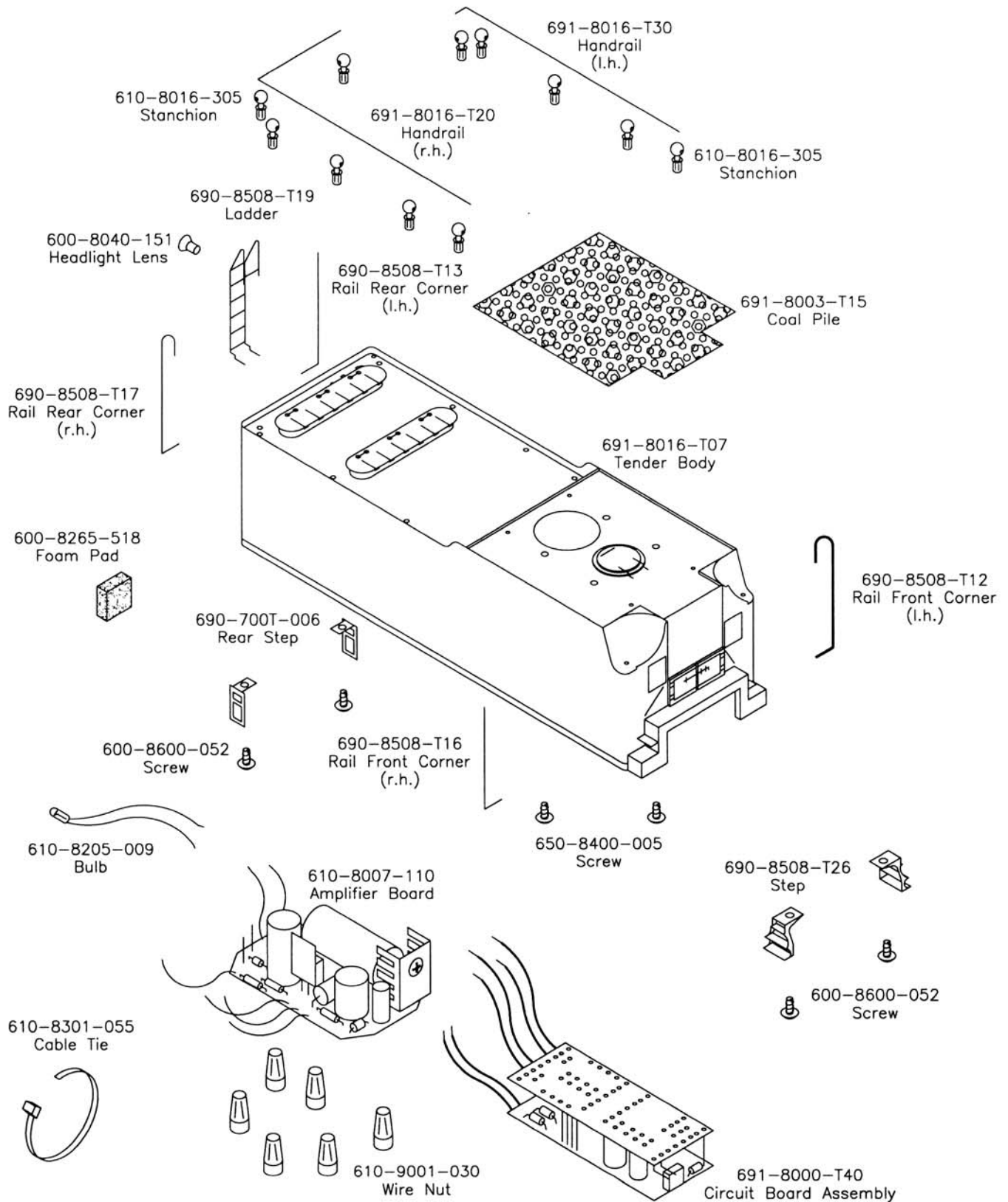


4-8-4 NORTHERN STEAM LOCOMOTIVE 6-18016 Northern Pacific

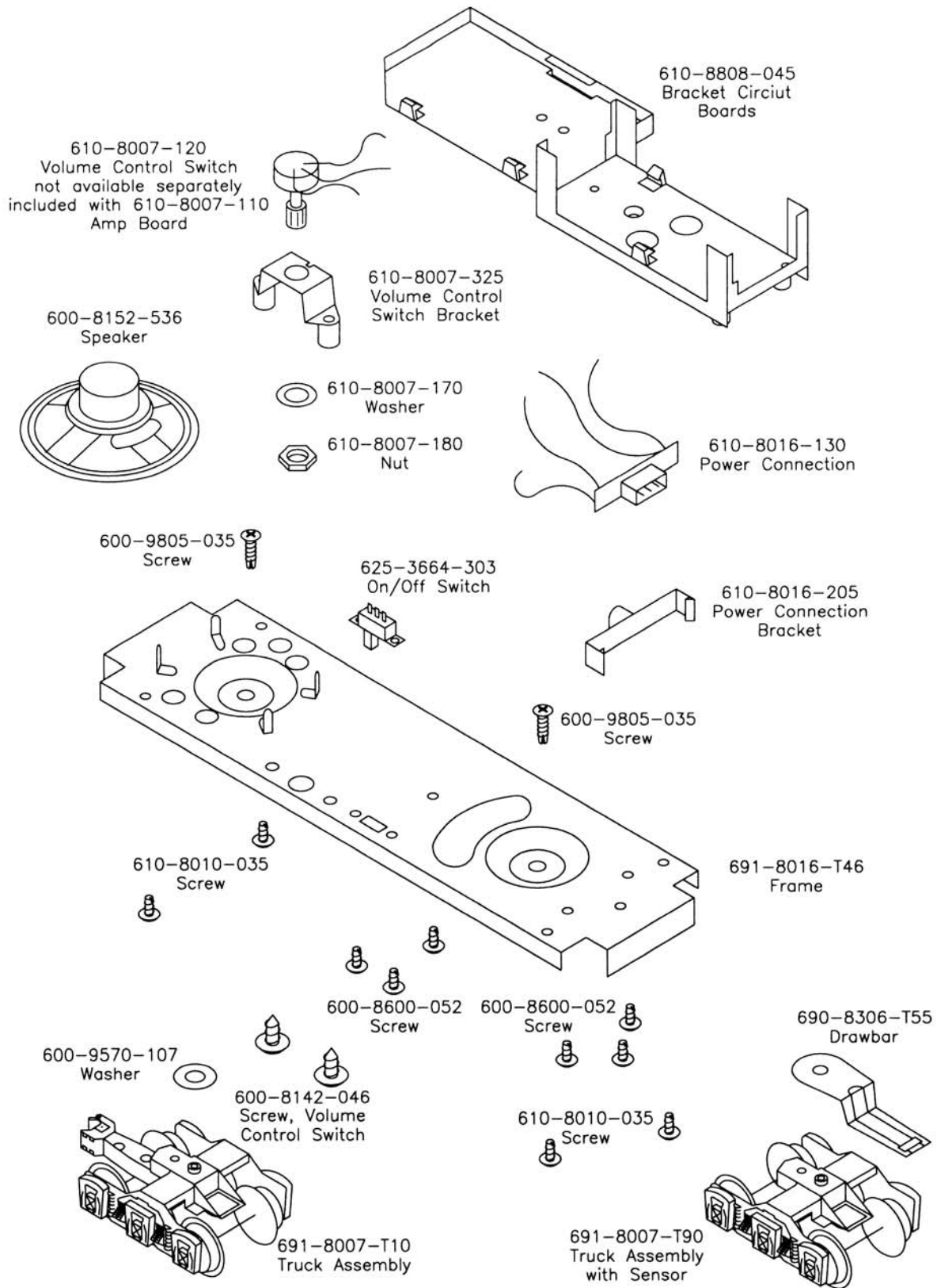
(Page 3 of 3)



4-8-4 NORTHERN TENDER 691-8016-T01 Northern Pacific

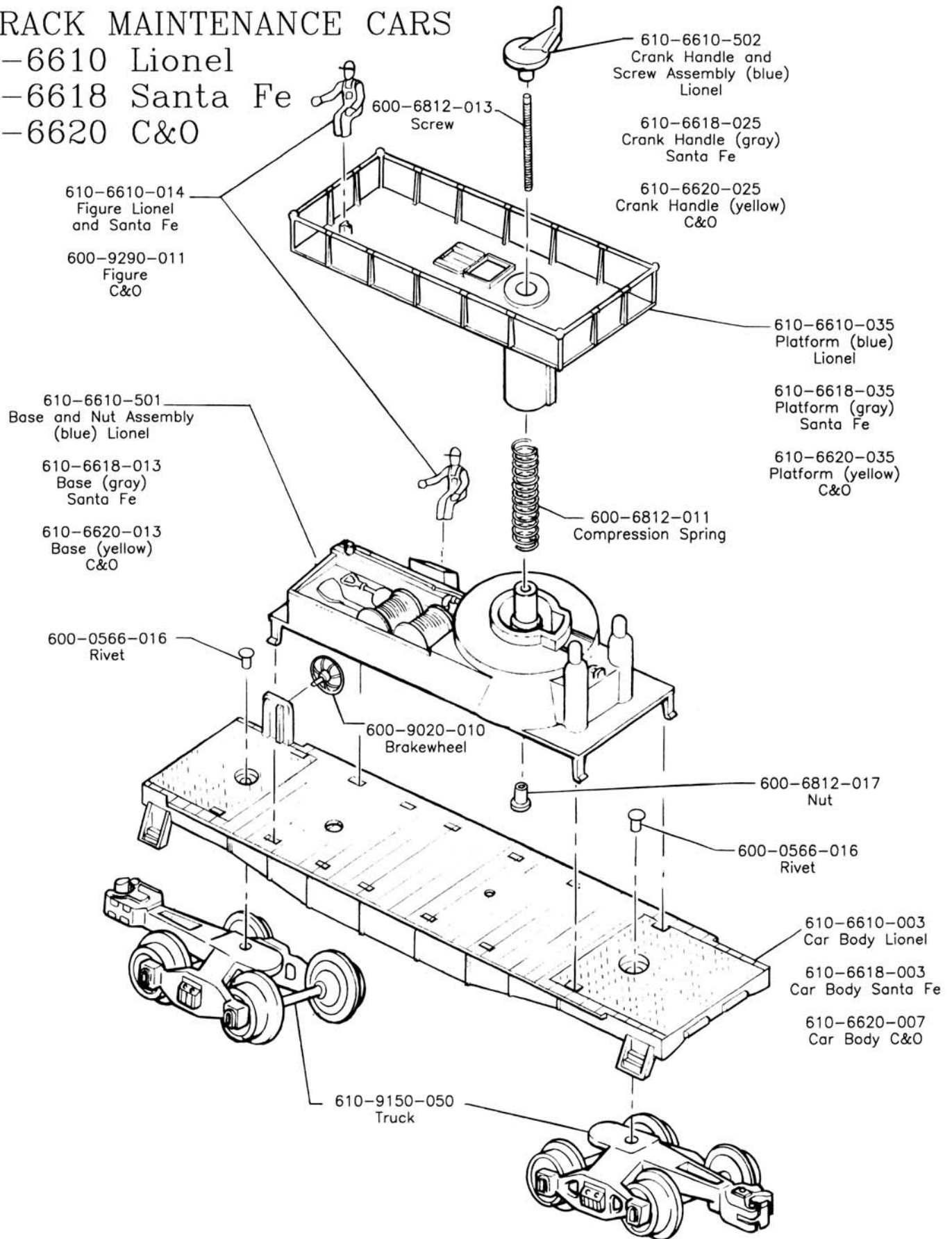


4-8-4 NORTHERN TENDER
691-8016-T01 Northern Pacific



TRACK MAINTENANCE CARS

1-6610 Lionel
 1-6618 Santa Fe
 1-6620 C&O

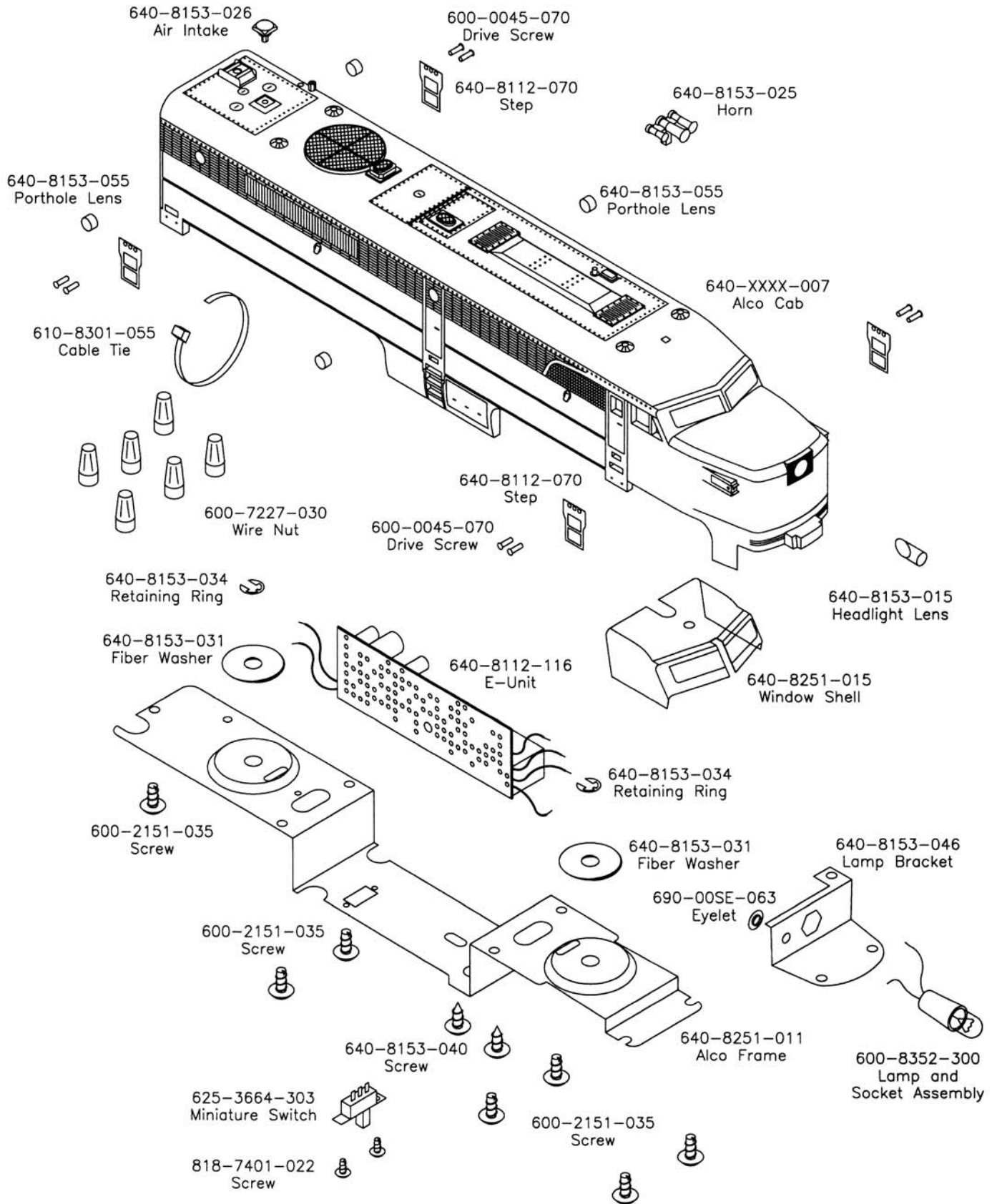


AMERICAN FLYER PA-1 DIESEL LOCOMOTIVE

6-48114 Northern Pacific

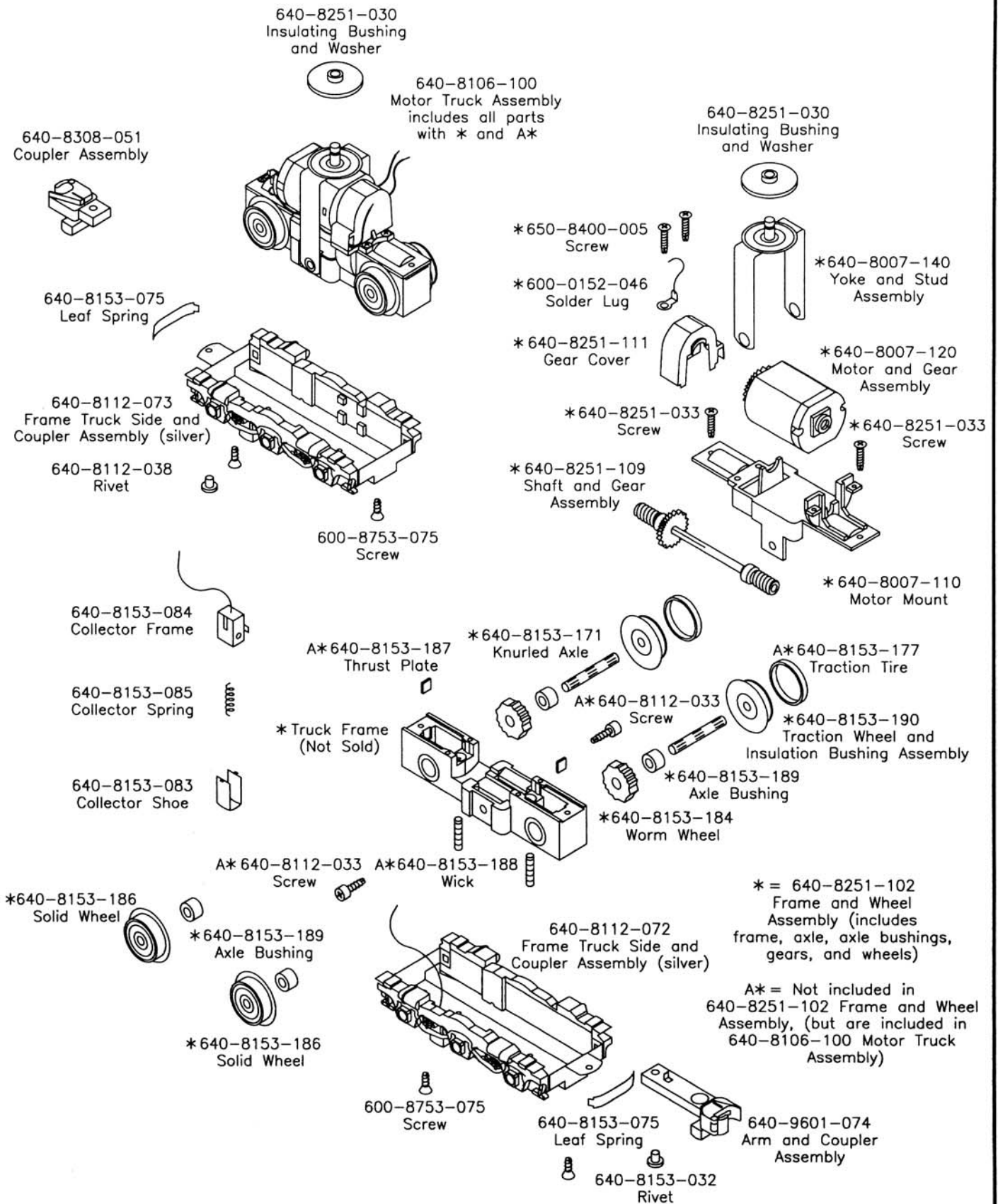
(Page 1 of 2)

6-48120 Western Pacific



AMERICAN FLYER PA-1 DIESEL LOCOMOTIVE

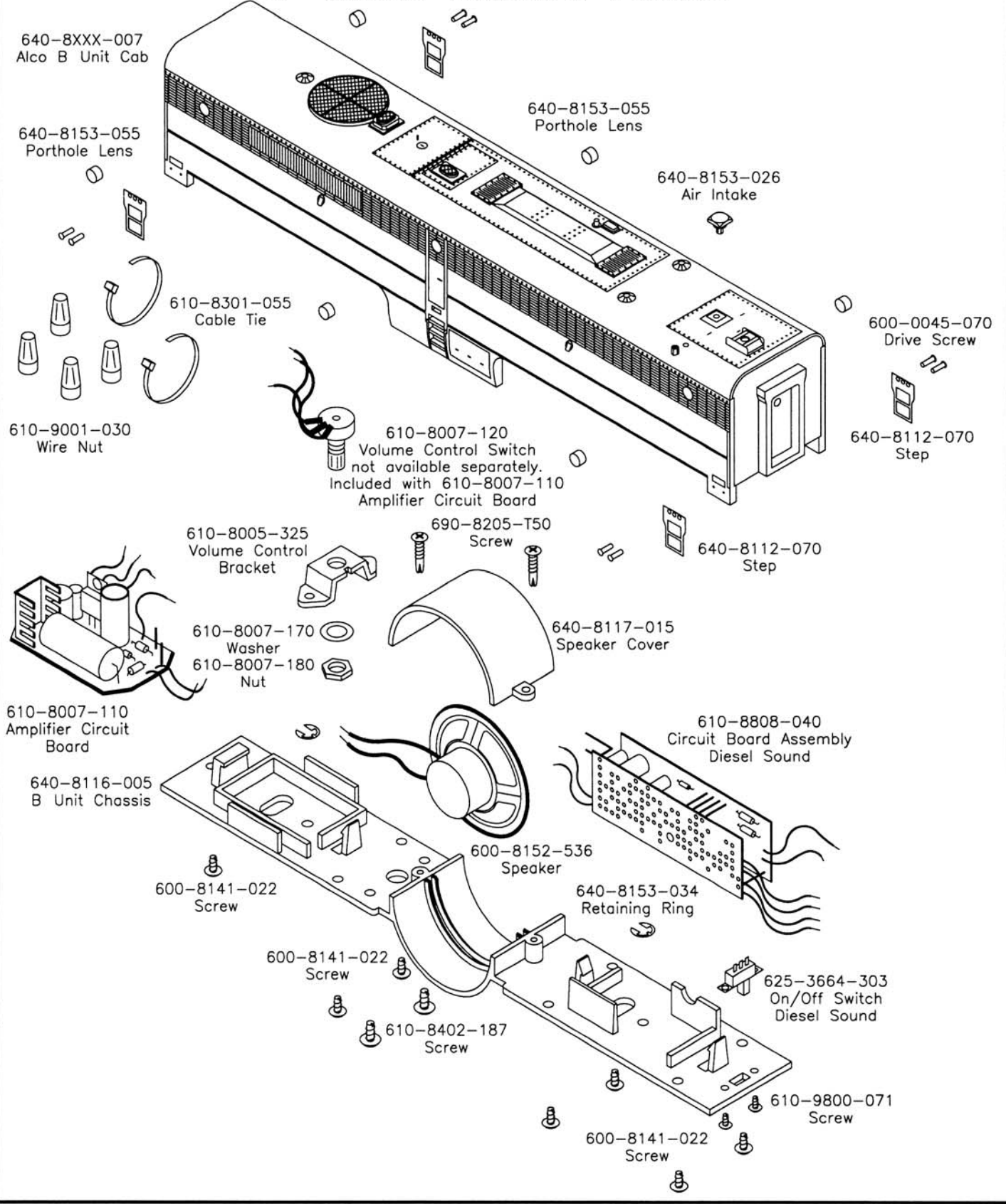
6-48114 Northern Pacific 6-48120 Western Pacific



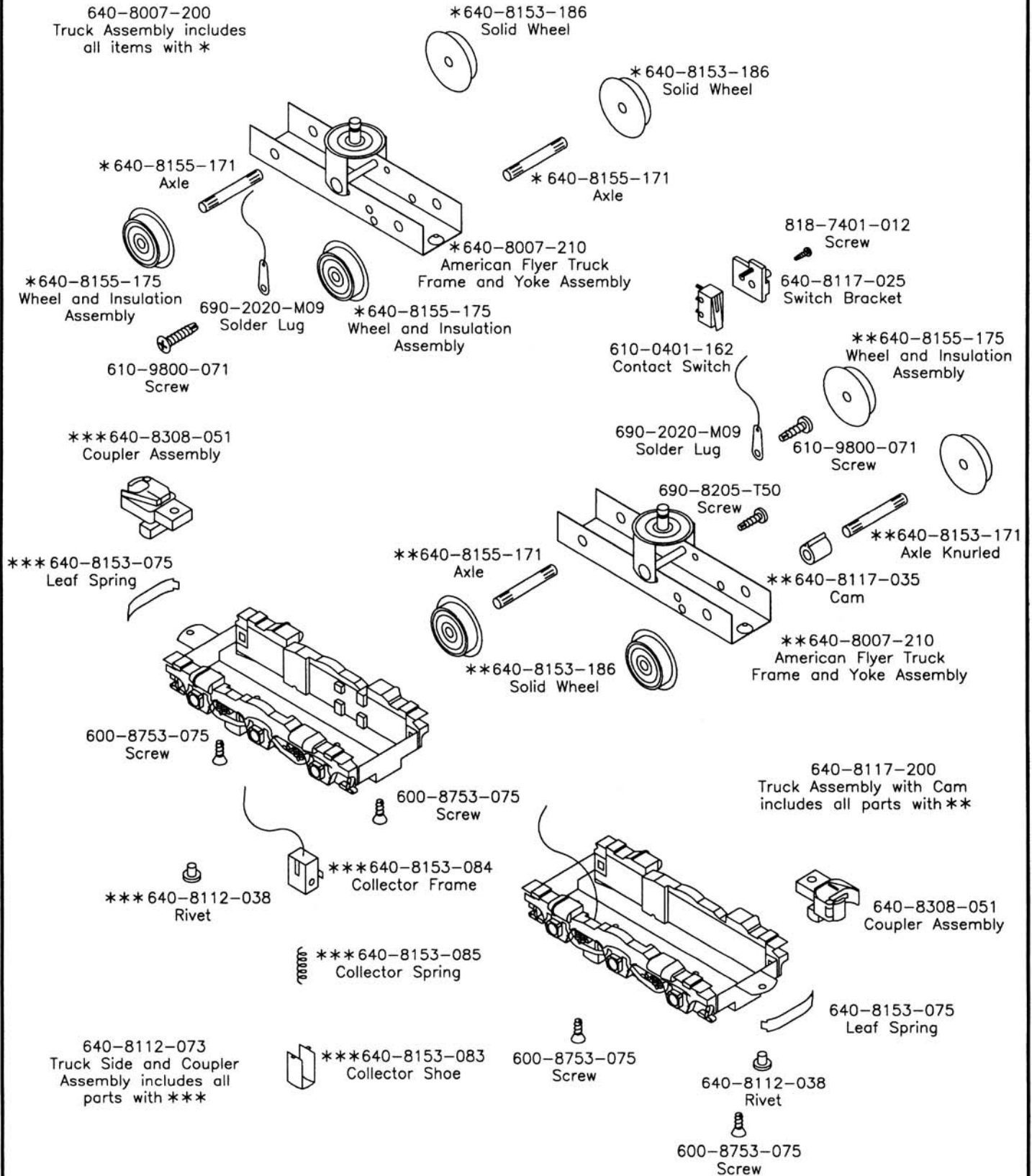
AMERICAN FLYER DUMMY PB-1 DIESEL LOCOMOTIVE WITH RAILSOUNDS

(Page 1 of 2)

6-48117 Northern Pacific
6-48122 Western Pacific

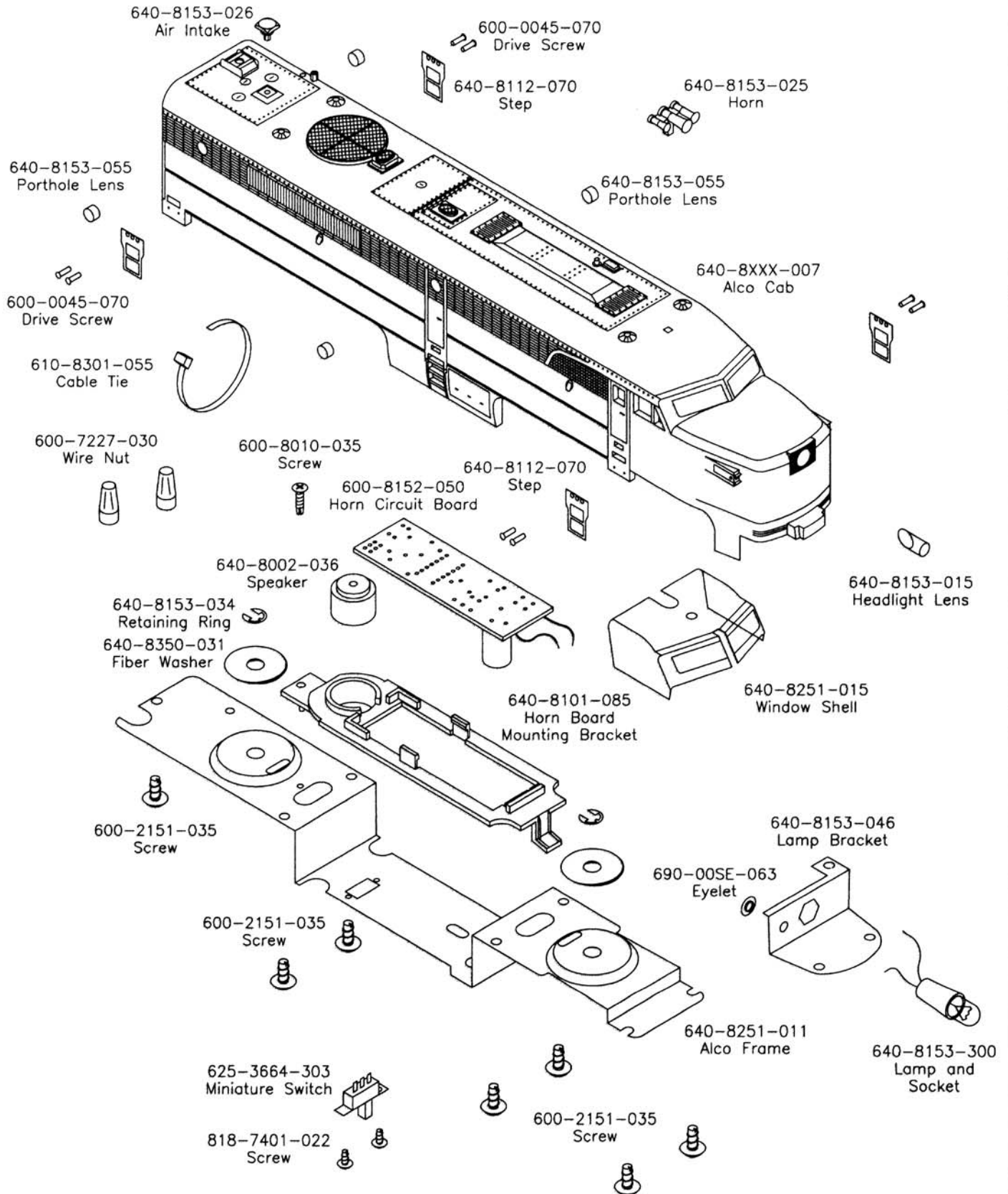


AMERICAN FLYER DUMMY PB-1 DIESEL LOCOMOTIVE
 WITH RAILSOUNDS
 6-48117 Northern Pacific
 6-48122 Western Pacific



AMERICAN FLYER DUMMY PA-1 DIESEL LOCOMOTIVE

6-48115 Northern Pacific
6-48121 Western Pacific



AMERICAN FLYER DUMMY PA-1 DIESEL LOCOMOTIVE

6-48115 Northern Pacific

6-48121 Western Pacific

(Page 2 of 2)

