



# PARTS LISTS AND EXPLODED DIAGRAMS

## SUPPLEMENT 24

*By Gary T. Svehar*

*Edited by Cindy Lee Floyd*

*Diagrams by Steven Gugel and  
Lionel Trains, Inc.*

**Special Note:** Lionel page numbers (A-52), (A-52-2), and (A-52-3) were erroneously used in Supplement 23 for the 44-Ton Diesel Switcher. They are correctly used in this Supplement for the 2-4-0 Steam Locomotive and Tender. In Supplement 23, they should be numbered (B-46), (B-46-2), and (B-46-3).

### Notice to the User

This supplement is designed to fit with two different publications, the *Lionel Service Manual* by Lionel Trains, Inc., and *Lionel Parts Lists and Exploded Diagrams* published by Greenberg Publishing Company, Inc. Each page has two page numbers. The number for the *Lionel Service Manual* is indicated by parentheses, e.g., (A-35). The number which applies to *Lionel Parts Lists and Exploded Diagrams* is above the parentheses, e.g., S24:1-3.

We recommend that readers with the *Lionel Service Manual* insert the pages according to the numbers in the parentheses. On the other hand, we recommend that readers with *Lionel Parts Lists and Exploded Diagrams* keep the pages as a set and insert them into a Supplement binder. Binders to match the 1970-1986 binder are available from Kalmbach Publishing, for \$9.95 plus \$3.00 shipping and handling. Please call 1-800-533-6644 to place your order. A comprehensive index to the *Lionel Parts Lists and Exploded Diagrams* will be issued periodically, and will take the place of the index at the front of the original 1970-1986 manual.

**Authorized by Lionel<sup>®</sup> Trains, Inc.**

**Published by Greenberg<sup>®</sup> Publishing Company, Inc.**

Copyright © 1993 by Lionel Trains, Inc.

All rights reserved.

**Greenberg Publishing Company, Inc.**

**7566 Main Street**

**Sykesville, Maryland 21784**

**(410) 795-7447**

Manufactured in the United States of America

All rights reserved. No part of this book may be reproduced in any form or by any means, including electronic, photocopying or recording, or by any information storage system, without written permission of the publisher, except in the case of brief quotations used in critical articles and reviews.

Greenberg Publishing Company, Inc., publishes the world's largest selection of Lionel, American Flyer, LGB, Marx, Ives, and other toy train publications as well as a selection of books on model and prototype railroading, dollhouse building, and collectible toys. For a complete listing of current Greenberg publications, please call 1-800-533-6644 or write to Kalmbach Publishing Co., 21027 Crossroads Circle, Waukesha, Wisconsin 53187.

Greenberg Shows, Inc., sponsors *Greenberg's Great Train, Dollhouse and Toy Shows*, the world's largest of its kind. The shows feature extravagant operating train layouts and a display of magnificent dollhouses. The shows also present a huge marketplace of model and toy trains for HO, N, and Z Scales; Lionel O and Standard Gauges; and S and 1 Gauges; plus layout accessories and railroadiana. They also offer a large selection of dollhouse miniatures and building materials, and collectible toys. Shows are scheduled along the East Coast each year from Massachusetts to Florida. For a list of our current shows, please call (410) 795-7447 or write to Greenberg Shows, Inc., 7566 Main Street, Sykesville, Maryland 21784 and request a show brochure.

Greenberg Auctions, a division of Greenberg Shows, Inc., offers nationally advertised auctions of toy trains and toys. Please contact our auction manager at (410) 795-7447 for further information.

**ISBN 0-89778-369-7**

# ALPHABETICAL INDEX TO LIONEL PARTS LISTS AND EXPLODED DIAGRAMS SUPPLEMENT 24

---

## ALPHABETICAL INDEX

### O AND O27 GAUGES

#### Diesel Engines and Electrics

Alco A Unit		S24:1-1, 2
1-8109		
PA-1		S24:1-3, 4
610-0858-001	610-6001-001	
Switcher		S24:1-5, 6
1-8910	1-8911 1-8912	

#### Dummy Units

Alco A Unit		S24:2-1, 2
1-8111		
Alco B Unit		S24:2-3
1-8110		
PA-1 with RailSounds		S24:2-4, 5
610-0859-001	610-6002-001	
PB-1		S24:2-6
610-6003-001		

#### Steam Locomotives

2-4-0 Scout Type		S24:3-1, 2
1-8710	1-8711 1-8712	

#### Tenders

2-4-0 Scout Type		S24:3-3
691-8710-T01	691-8711-T01	
691-8712-T01		

#### Operating Cars

Animated Circus Car		S24:11-1
1-6651	1-6662	
Radar Car		S24:11-2
1-6652		

#### Accessories

Animated Freight Station		S24:14-1, 2
1-2818		
Animated Passenger Station		S24:14-3, 4
1-2791		

**NUMERICAL INDEX TO  
LIONEL PARTS LISTS AND EXPLODED DIAGRAMS  
SUPPLEMENT 24**

---

---

**NUMERICAL LISTING**

1-2791	S24:14-3, 4	1-8910	S24:1-5, 6
1-2818	S24:14-1, 2	1-8911	S24:1-5, 6
1-6651	S24:11-1	1-8912	S24:1-5, 6
1-6652	S24:11-2	610-0858-001	S24:1-3, 4
1-6662	S24:11-1	610-0859-001	S24:2-4, 5
1-8109	S24:1-1, 2	610-6001-001	S24:1-3, 4
1-8110	S24:2-3	610-6002-001	S24:2-4, 5
1-8111	S24:2-1, 2	610-6003-001	S24:2-6
1-8710	S24:3-1, 2	691-8710-T01	S24:3-3
1-8711	S24:3-1, 2	691-8711-T01	S24:3-3
1-8712	S24:3-1, 2	691-8712-T01	S24:3-3

# LIONEL SERVICE MANUAL

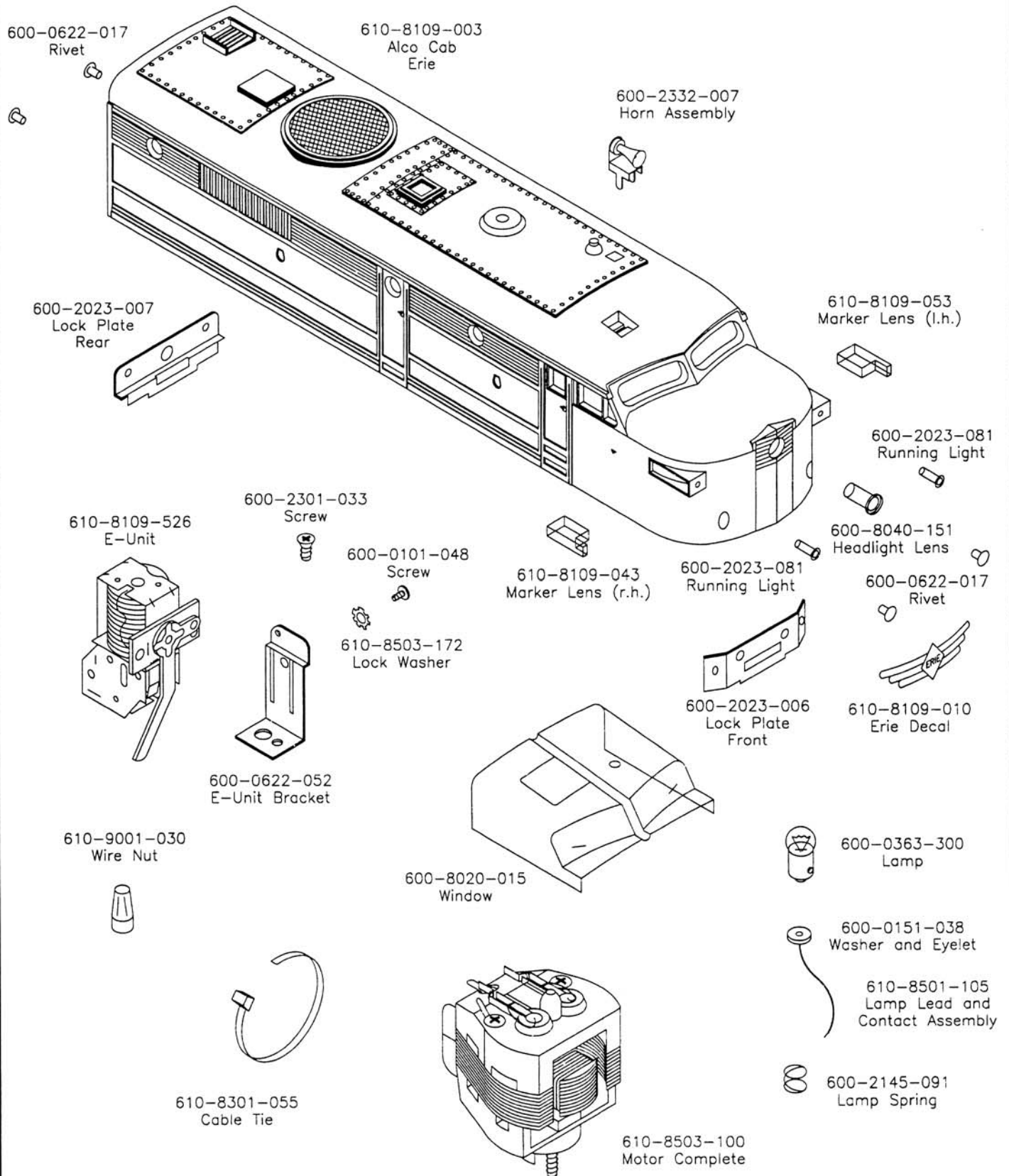
## BY LIONEL SERVICE

### Supplement 24

Description	Drawing
<b>Diesel Engines and Electrics:</b>	
Alco A Unit . . . . . 1-8109	(B-48), (B-48-2)
PA-1 . . . . . 610-0858-001      610-6001-001	(B-49), (B-49-2)
Switcher . . . . . 1-8910    1-8911    1-8912	(B-47), (B-47-2)
<b>Dummy Units</b>	
Alco A Unit . . . . . 1-8111	(C-38), (C-38-2)
Alco B Unit . . . . . 1-8110	(C-39)
PA-1 with RailSounds . . . . . 610-0859-001      610-6002-001	(C-40), (C-40-2)
PB-1 . . . . . 610-6003-001	(C-41)
<b>Steam Locomotives:</b>	
2-4-0 Scout Type . . . . . 1-8710    1-8711    1-8712	(A-52), (A-52-2)
<b>Tenders:</b>	
2-4-0 Scout Type . . . . . 691-8710-T01      691-8711-T01      691-8712-T01	(A-52-3)
<b>Operating Cars:</b>	
Animated Circus Car . . . . . 1-6651    1-6662	(F-101)
Radar Car . . . . . 1-6652	(F-102)
<b>Accessories:</b>	
Animated Freight Station . . . . . 1-2818	(I-47), (I-47-2)
Animated Passenger Station . . . . . 1-2791	(I-46), (I-46-2)

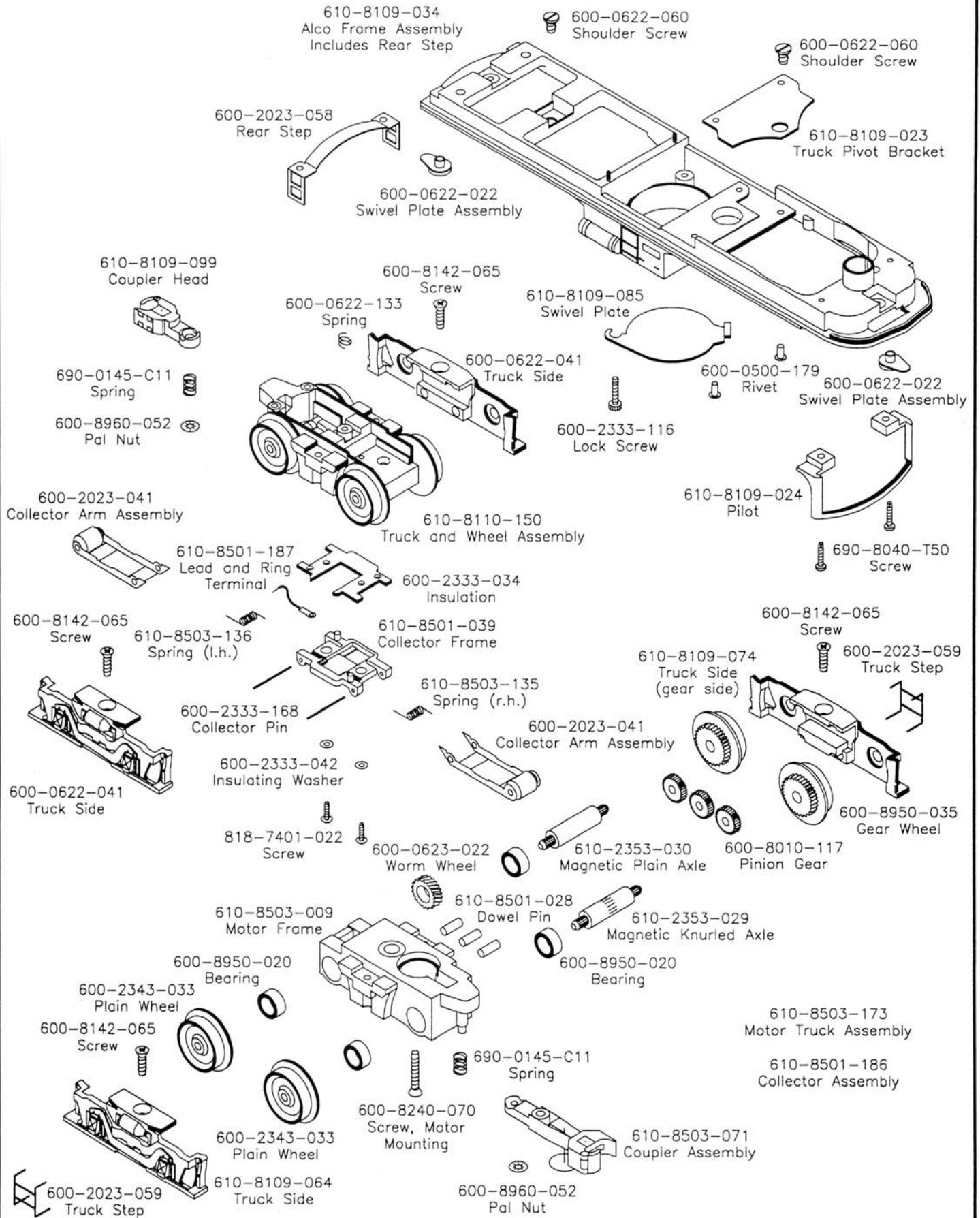
# ALCO A UNIT DIESEL LOCOMOTIVE 1-8109 Erie

(Page 1 of 2)



# ALCO A UNIT DIESEL LOCOMOTIVE 1-8109 Erie

(Page 2 of 2)

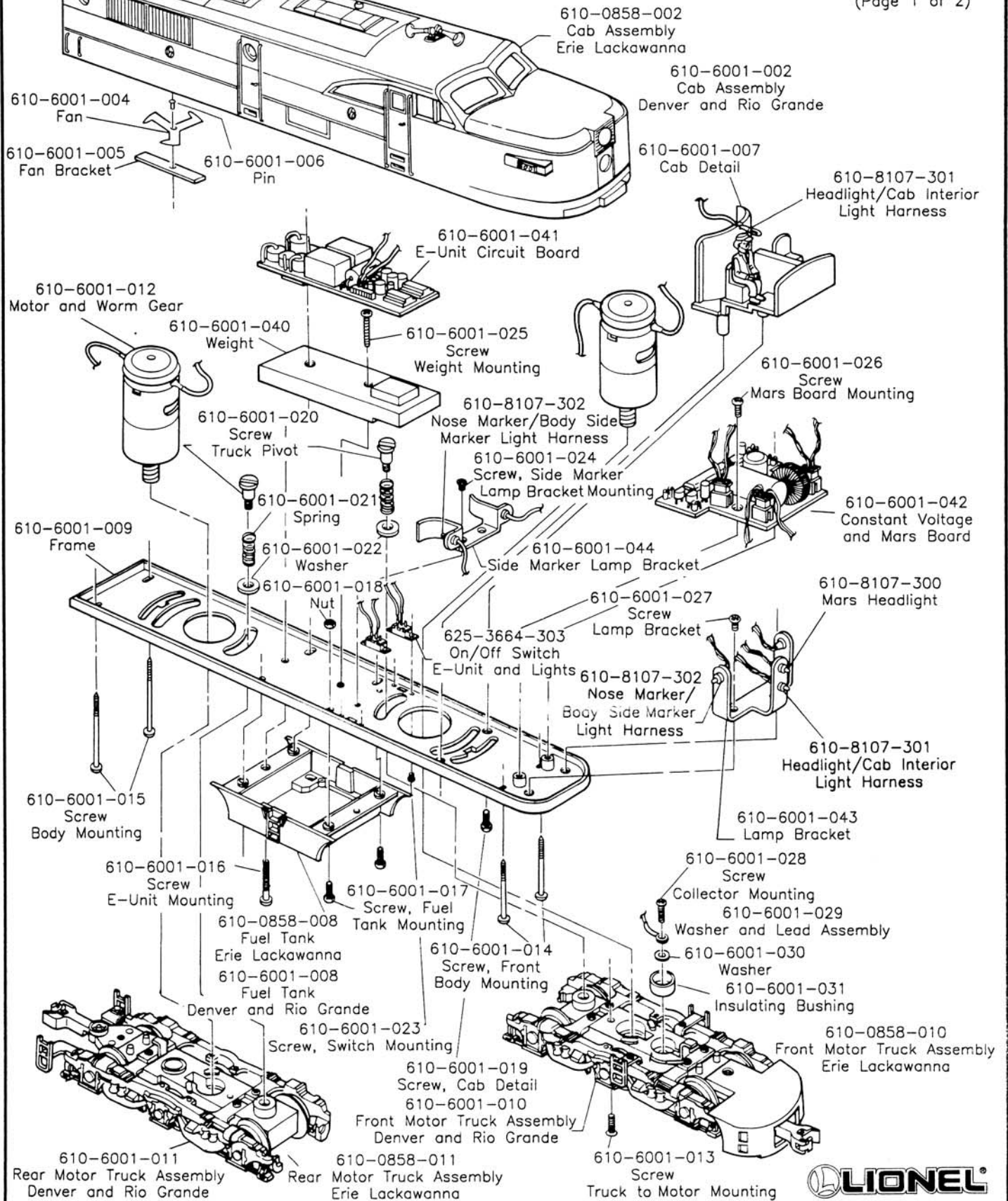


# PA-1 DIESEL LOCOMOTIVE

## 610-0858-001 Erie Lackawanna

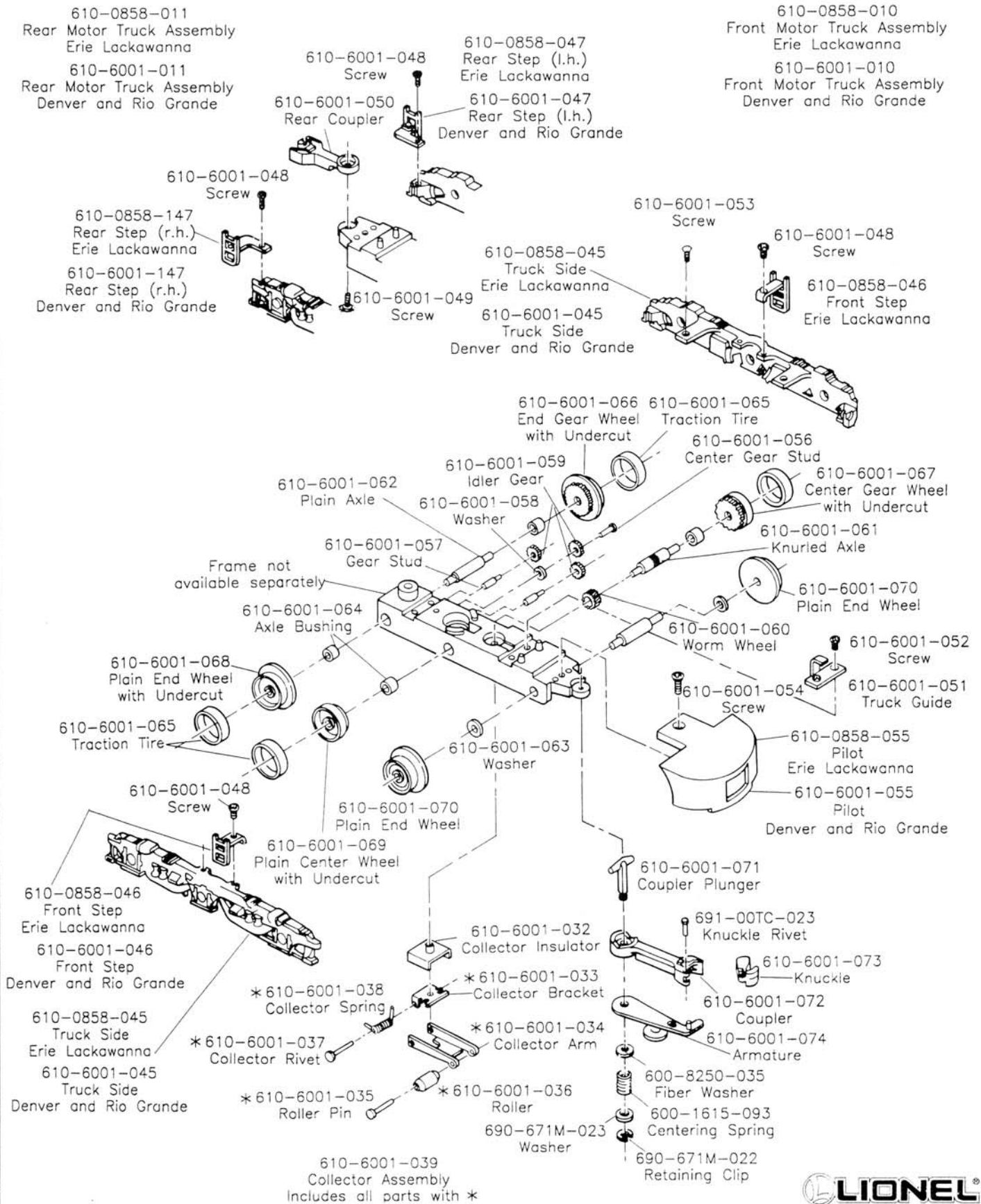
## 610-6001-001 Denver and Rio Grande

(Page 1 of 2)





PA-1 DIESEL LOCOMOTIVE  
 610-0858-001 Erie Lackawanna  
 610-6001-001 Denver and Rio Grande



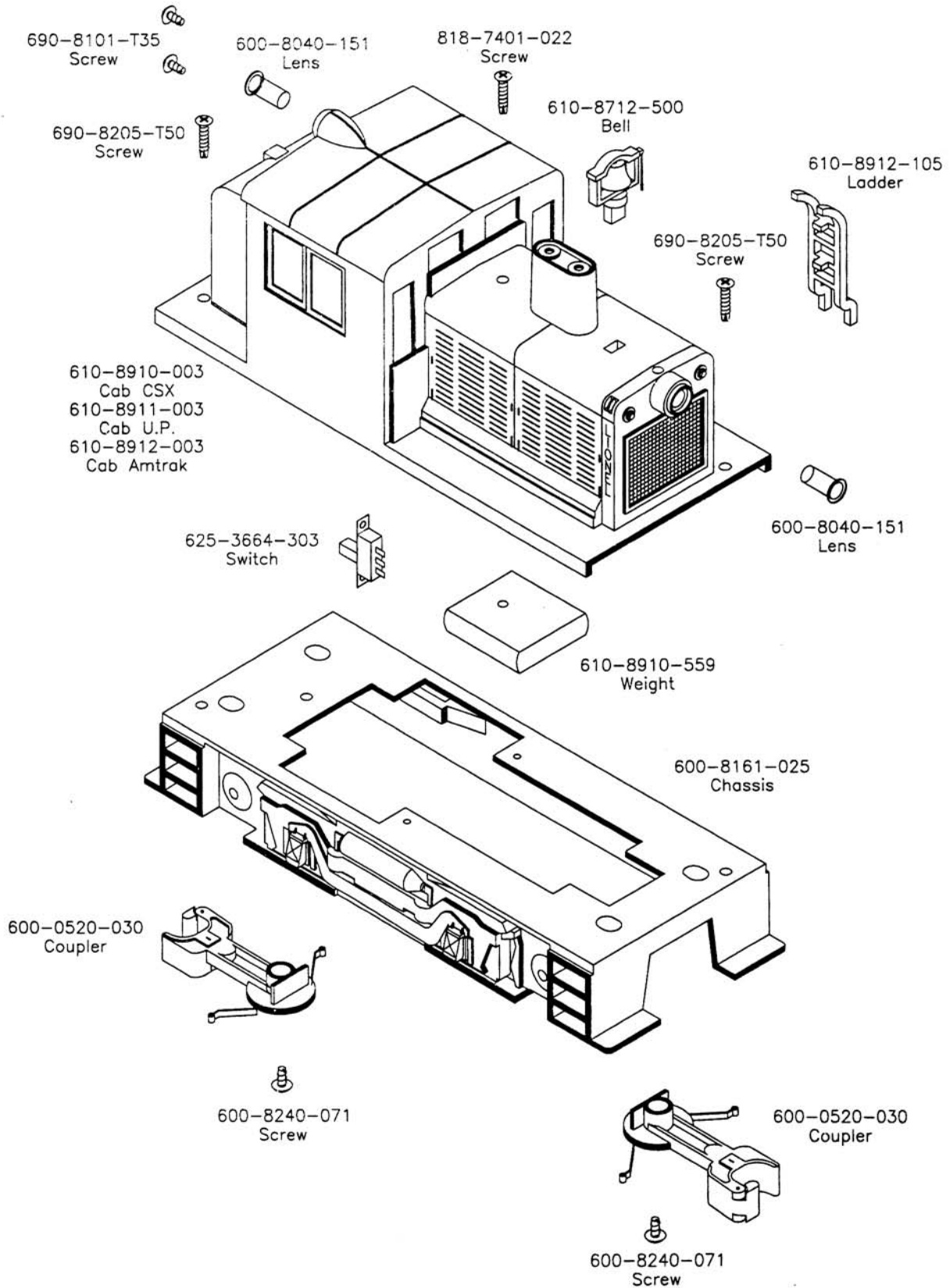
# DIESEL SWITCHER LOCOMOTIVE

1-8910 CSX

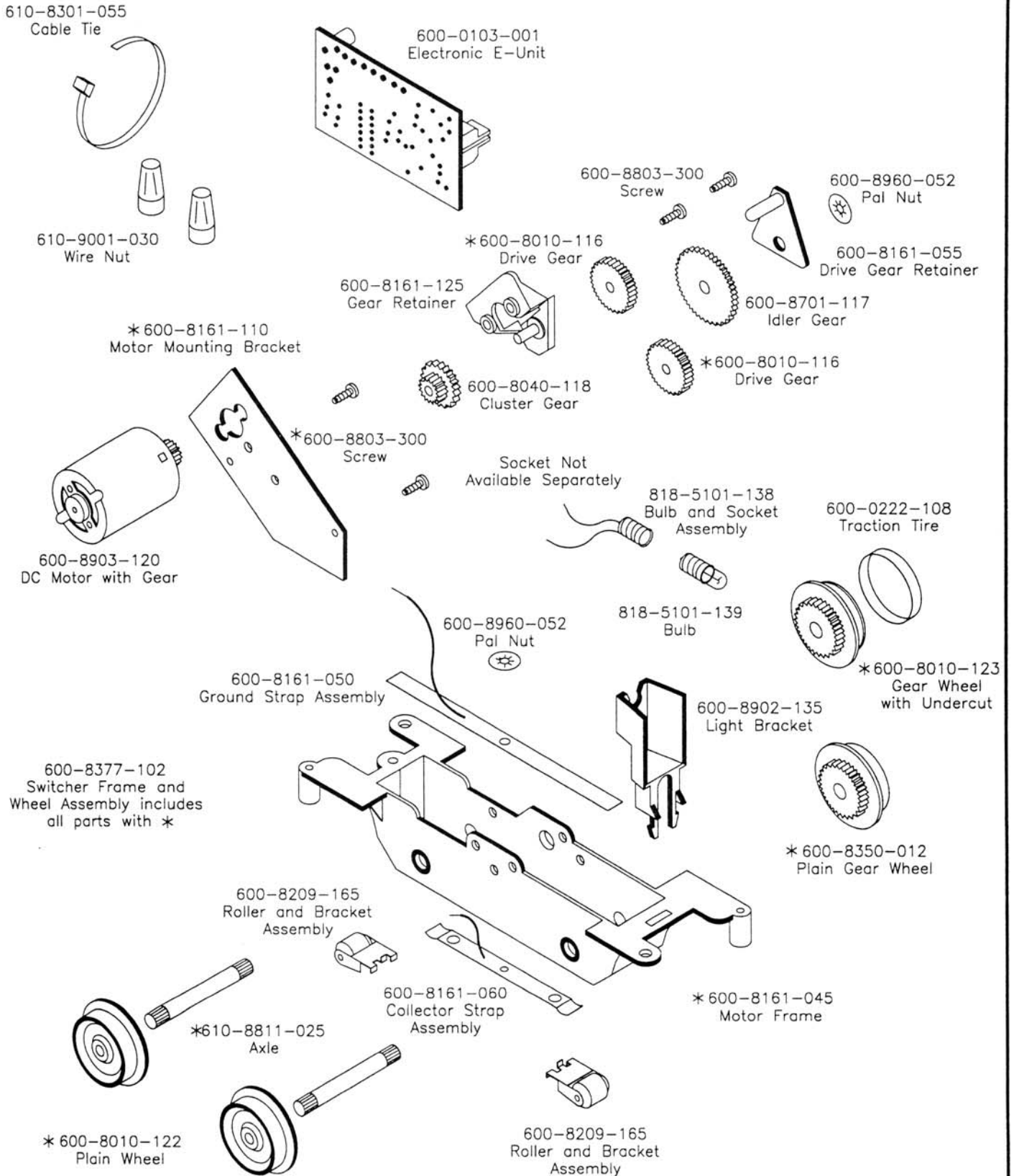
1-8911 Union Pacific

1-8912 Amtrak

(Page 1 of 2)

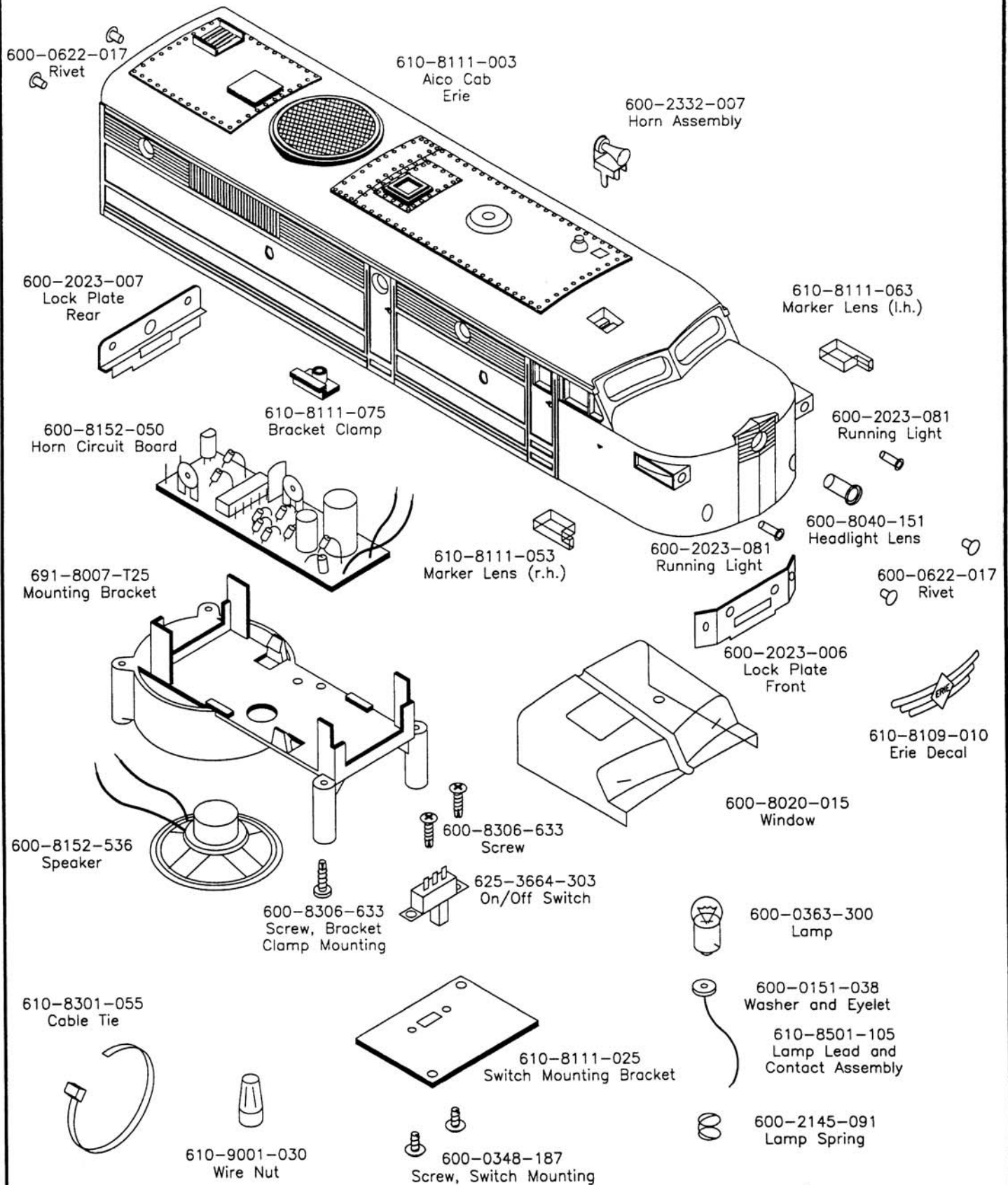


DIESEL SWITCHER LOCOMOTIVE  
 1-8910 CSX  
 1-8911 Union Pacific  
 1-8912 Amtrak



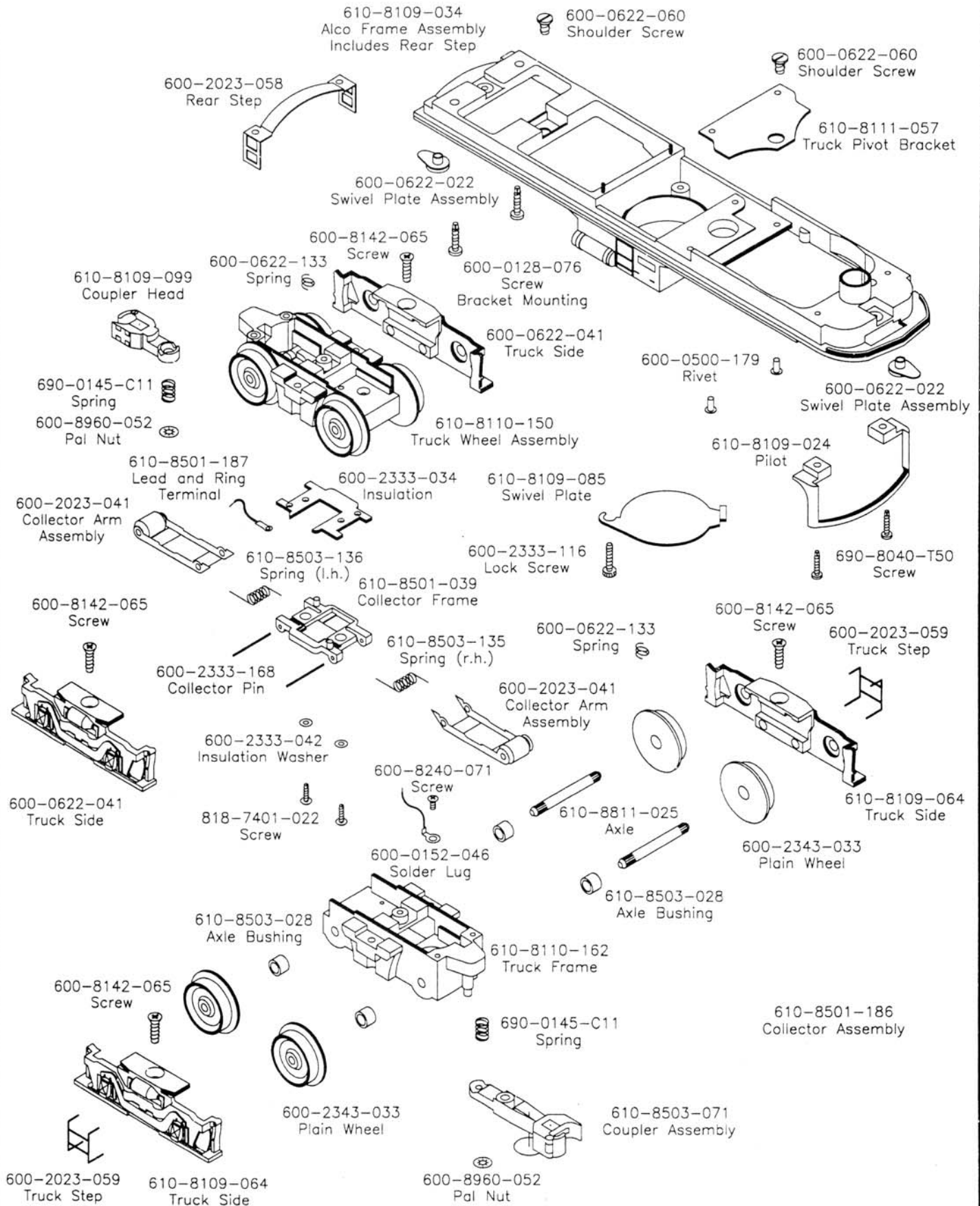
# ALCO A UNIT DUMMY DIESEL LOCOMOTIVE 1-8111 Erie

(Page 1 of 2)

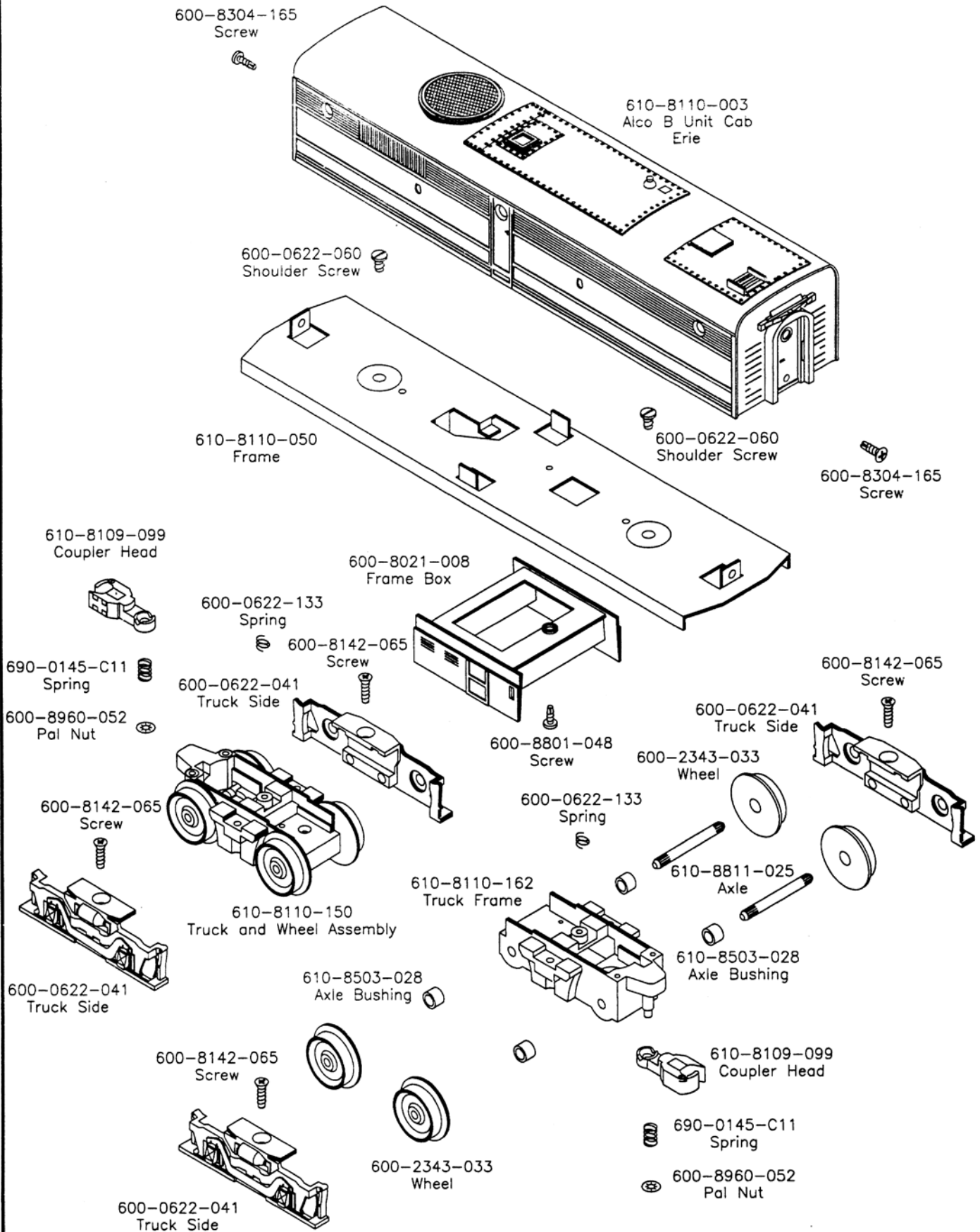


# ALCO A UNIT DUMMY DIESEL LOCOMOTIVE 1-8111 Erie

(Page 2 of 2)



# ALCO B UNIT DUMMY DIESEL LOCOMOTIVE 1-8110 Erie



# DUMMY PA-1 DIESEL LOCOMOTIVE WITH RAILSOUNDS

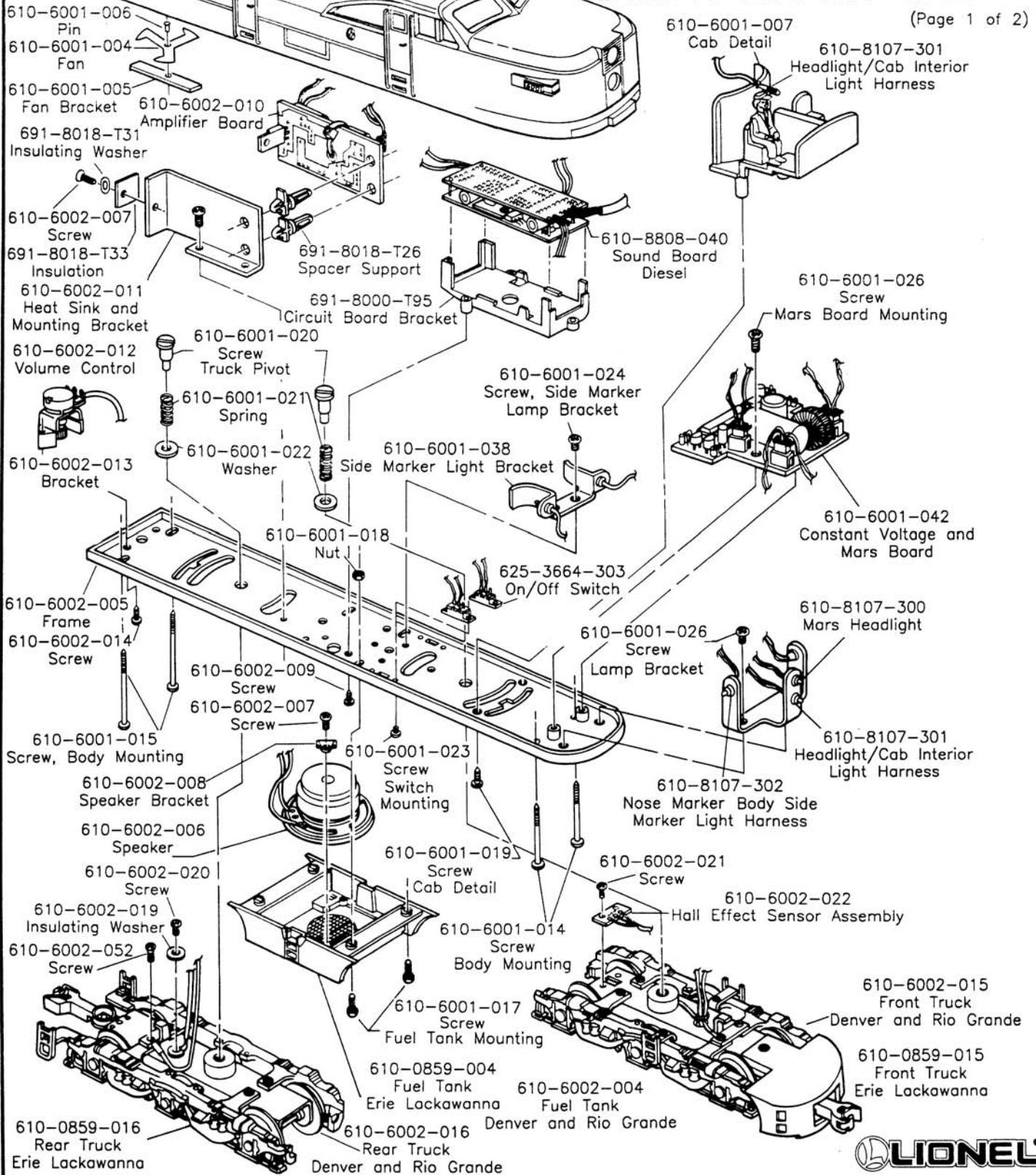
610-0859-002  
Cab Assembly  
Erie Lackawanna

610-0859-001  
Erie Lackawanna

610-6002-002  
Cab Assembly  
Denver and Rio Grande

610-6002-001  
Denver and Rio Grande

(Page 1 of 2)



# DUMMY PA-1 DIESEL LOCOMOTIVE WITH RAILSOUNDS

610-0859-001 Erie Lackawanna

610-6002-001 Denver and Rio Grande

(Page 2 of 2)

610-0859-016  
Dummy Rear Truck  
Erie Lackawanna

610-6002-016  
Dummy Rear Truck  
Denver and Rio Grande

610-6001-050  
Rear Coupler

610-6001-048  
Screw

610-0858-147  
Rear Step (r.h.)  
Erie Lackawanna

610-6001-147  
Rear Step (r.h.)  
Denver and Rio Grande

610-6001-048  
Screw

610-6001-047  
Rear Step (l.h.)  
Denver and Rio Grande

610-0858-046  
Rear Step (l.h.)  
Erie Lackawanna

610-0859-015  
Dummy Front Truck  
Erie Lackawanna

610-6002-015  
Dummy Front Truck  
Denver and Rio Grande

610-0858-045  
Truck Side  
Erie Lackawanna

610-6001-045  
Truck Side  
Denver and Rio Grande

610-6001-048  
Screw

610-0858-046  
Front Step  
Erie Lackawanna

610-6001-046  
Front Step  
Denver and Rio Grande

610-6001-070  
Plain End Wheel

610-6001-064  
Axle Bushing

610-6002-018  
Magnet Wheel

610-6001-061  
Knurled Axle

610-6002-024  
Plain Center Wheel

610-6002-017  
Washer

610-6001-070  
Plain End Wheel

610-6001-062  
Plain Axle

610-6001-052  
Screw

610-6001-051  
Truck Guide

610-6001-054  
Screw

610-0858-055  
Pilot  
Erie Lackawanna

610-6001-055  
Pilot  
Denver and Rio Grande

Frame not available separately

610-6001-064  
Axle Bushing

610-6001-070  
Plain End Wheel

610-6001-048  
Screw

610-6002-017  
Washer

610-6001-070  
Plain End Wheel

610-6001-071  
Coupler Plunger

610-6002-023  
Collector Insulator

610-6001-033  
Collector Bracket

\* 610-6001-038  
Collector Spring

600-8250-035  
Fiber Washer

610-6001-072  
Coupler

610-6001-073  
Knuckle

610-6001-074  
Armature

610-0858-046  
Front Step  
Erie Lackawanna

610-6001-046  
Front Step  
Denver and Rio Grande

610-0858-045  
Truck Side  
Erie Lackawanna

610-6001-045  
Truck Side  
Denver and Rio Grande

\* 610-6001-037  
Collector Rivet

\* 610-6001-034  
Collector Arm

\* 610-6001-036  
Roller

\* 610-6001-035  
Roller Pin

691-00TC-023  
Knuckle Rivet

610-6001-072  
Coupler

610-6001-073  
Knuckle

610-6001-074  
Armature

600-1615-093  
Centering Spring

690-671M-023  
Washer

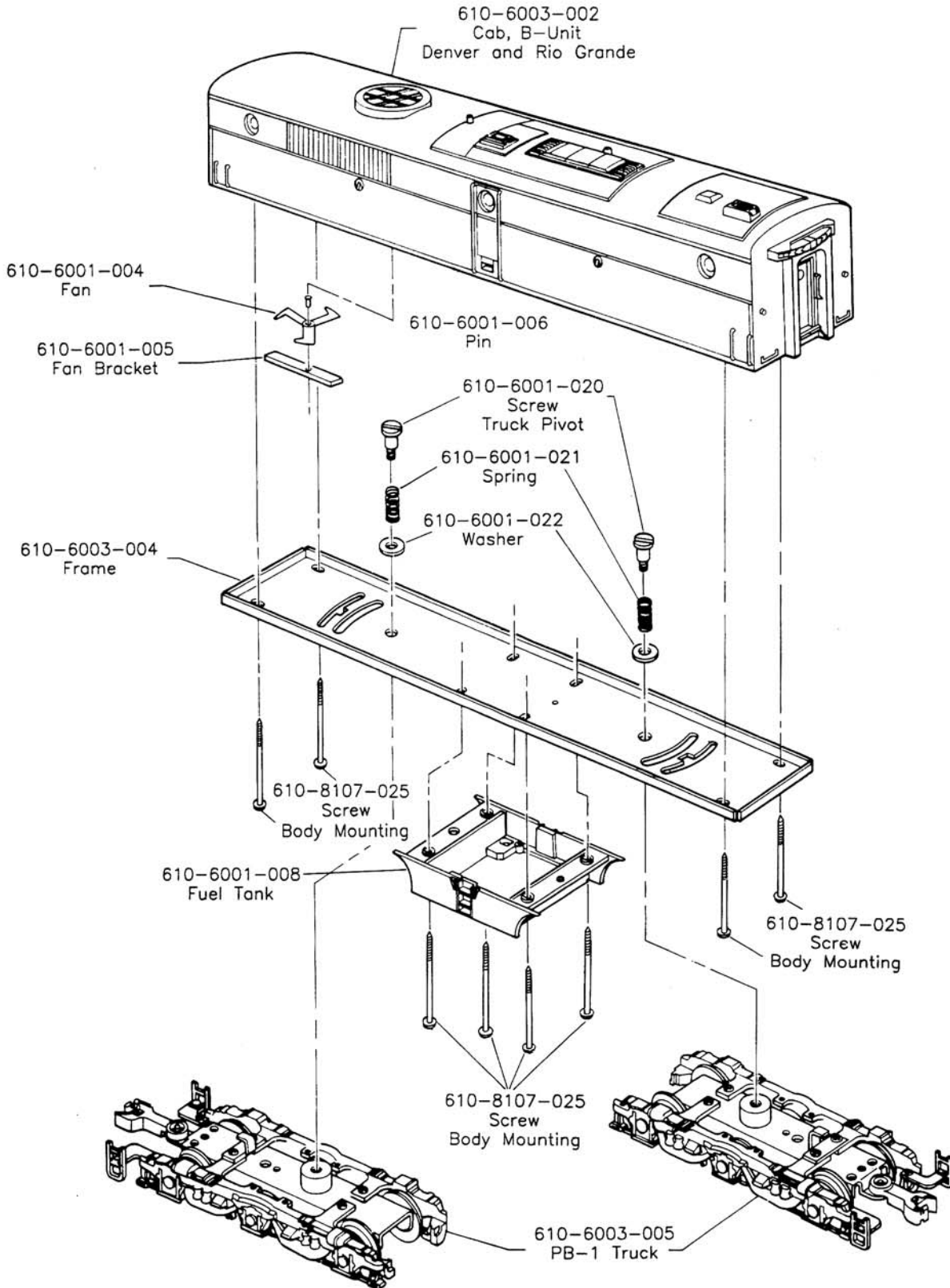
690-671M-022  
Retaining Clip

610-6001-039  
Collector Assembly  
Includes all parts with \*





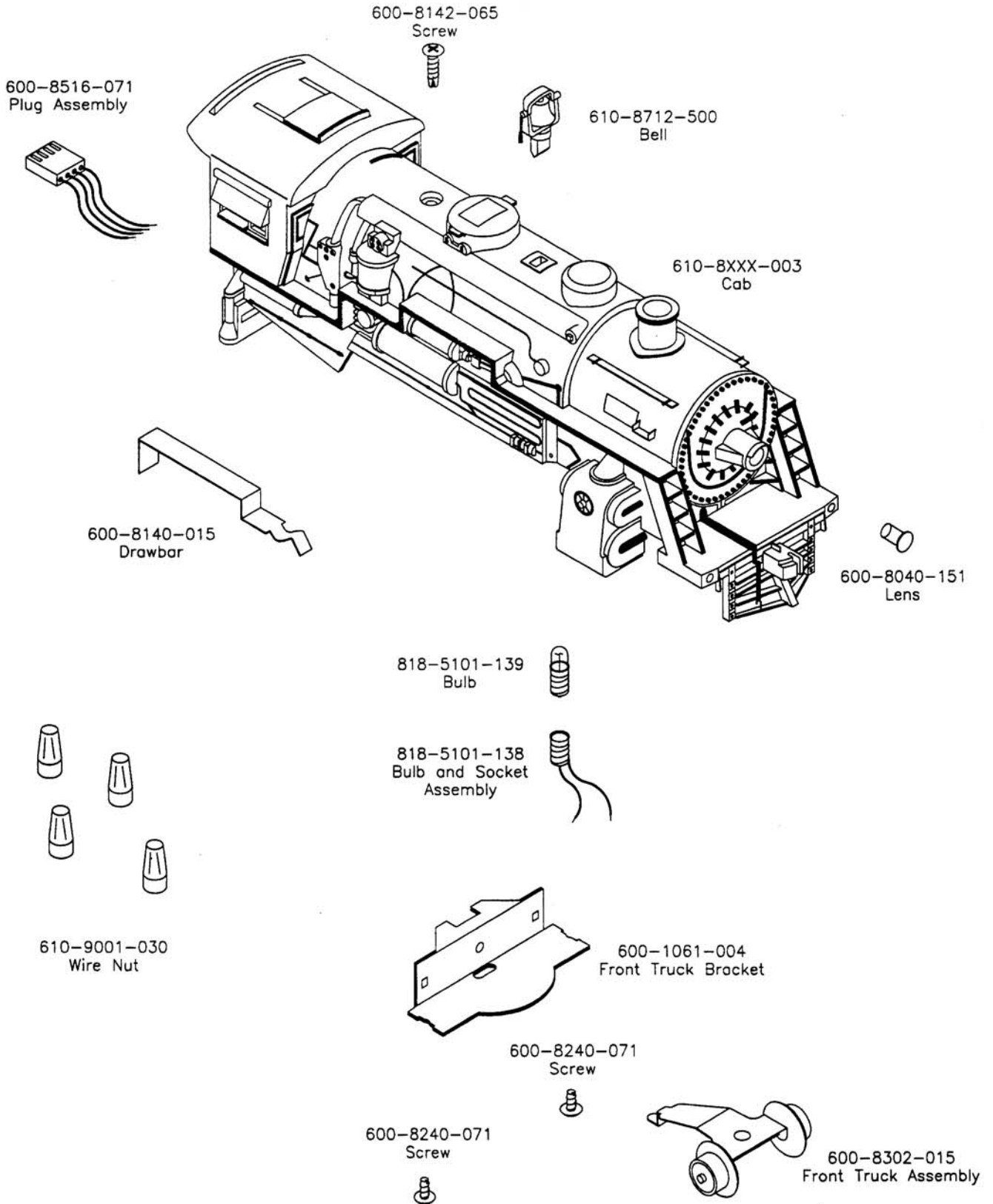
# DUMMY PB-1 DIESEL LOCOMOTIVE 610-6003-001 Denver and Rio Grande



 **LIONEL**

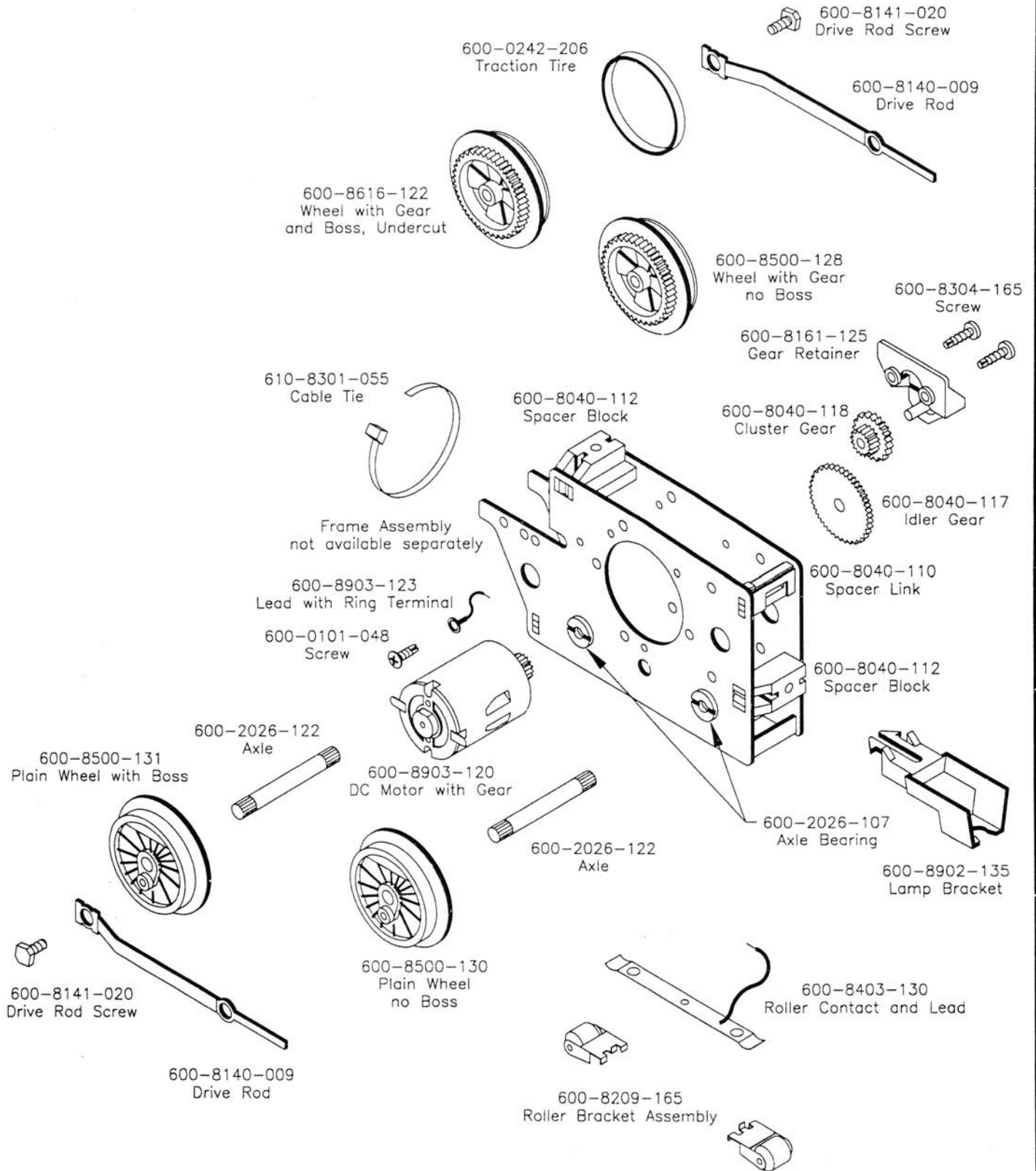
2-4-0 STEAM LOCOMOTIVE AND TENDER  
 1-8710 Southern Pacific  
 1-8711 Southern  
 1-8712 Jersey Central

(Page 1 of 3)



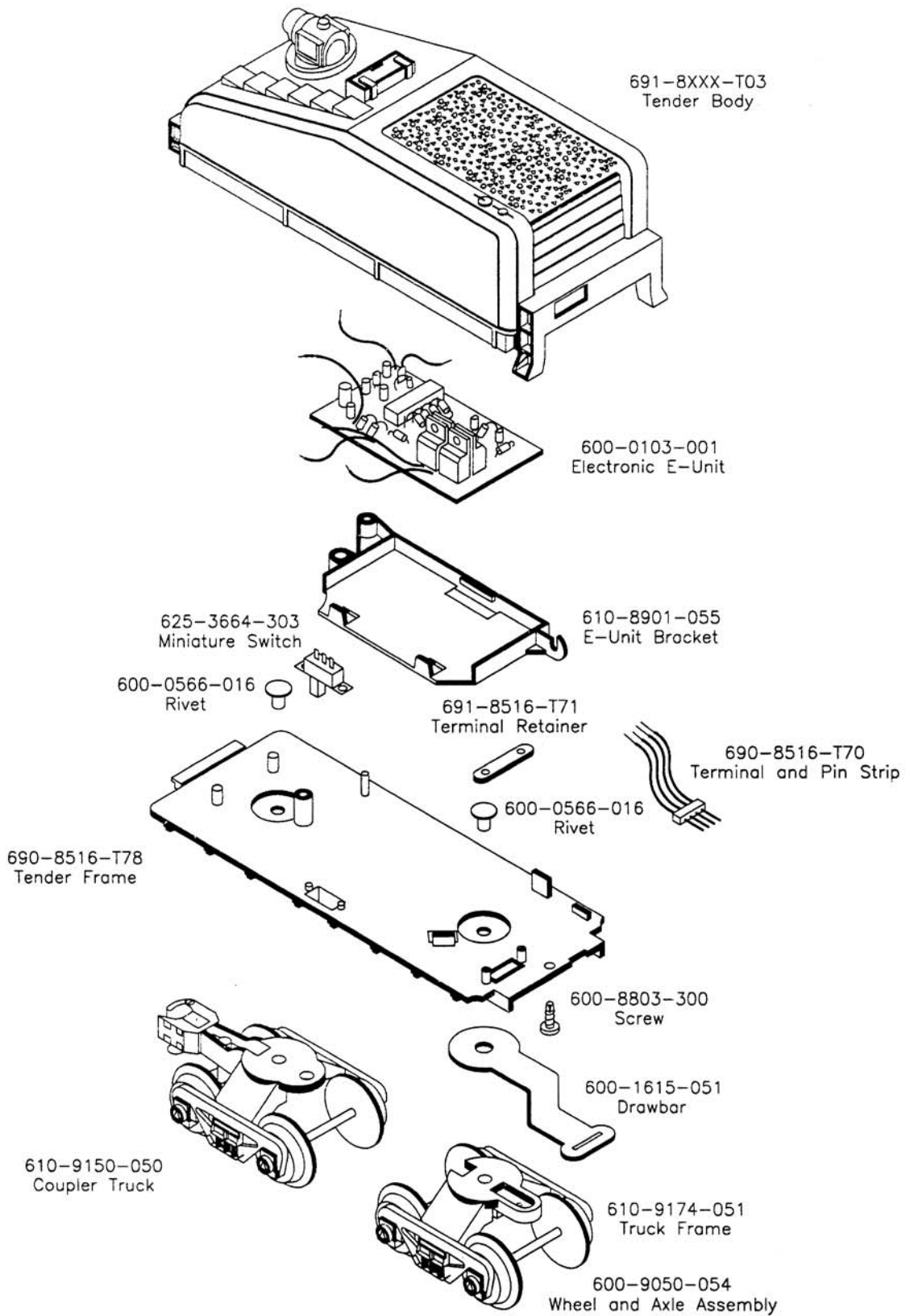
2-4-0 STEAM LOCOMOTIVE AND TENDER  
 1-8710 Southern Pacific  
 1-8711 Southern  
 1-8712 Jersey Central

(Page 2 of 3)



2-4-0 STEAM LOCOMOTIVE AND TENDER  
691-8710-T01 Southern Pacific  
691-8711-T01 Southern  
691-8712-T01 Jersey Central

(Page 3 of 3)



# 1-6651 ANIMATED CIRCUS CAR 1-6662 BUGS BUNNY AND YOSEMITE SAM OUTLAW CAR

610-6662-127  
Yosemite Sam Figure



600-8010-165  
Screw

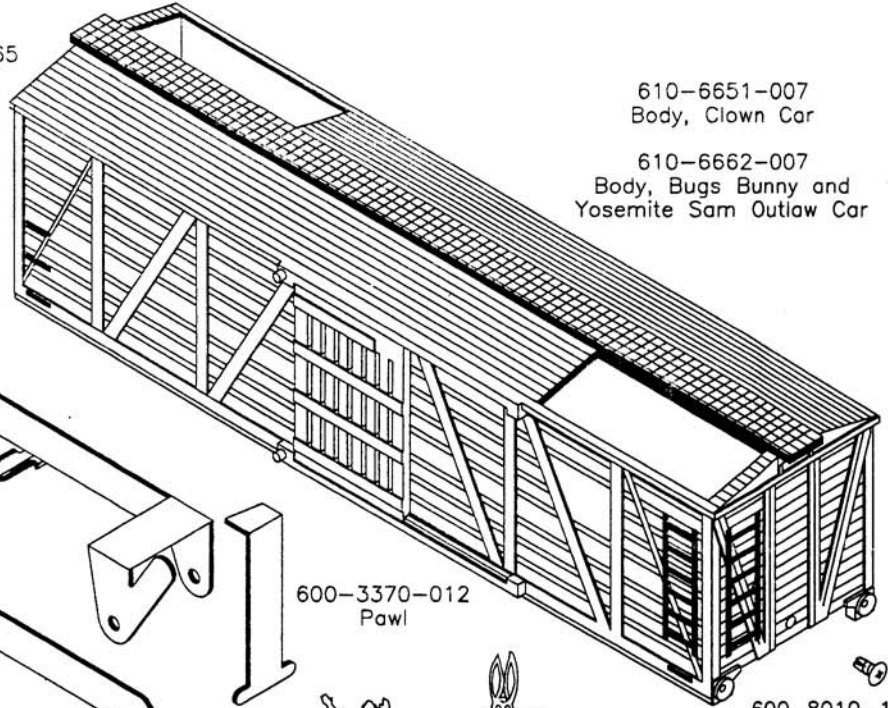


610-6628-127  
Clown #2

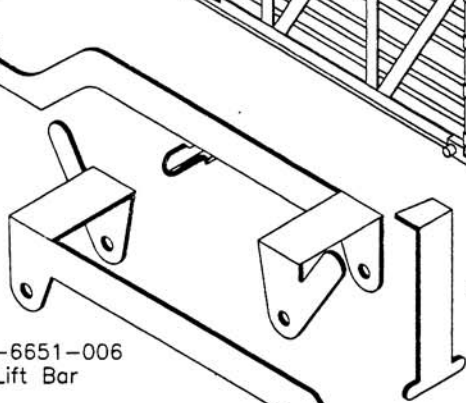


610-6651-007  
Body, Clown Car

610-6662-007  
Body, Bugs Bunny and  
Yosemite Sam Outlaw Car



610-6651-006  
Lift Bar



600-3370-012  
Pawl



610-6662-117  
Bugs Bunny Figure

600-8010-165  
Screw



610-6651-006  
Lift Bar

600-3370-008  
Ratchet

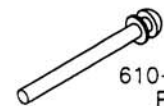


610-6628-117  
Clown #1

600-0566-016  
Rivet



600-3370-010  
Actuator Lever



610-6651-015  
Pivot Pin

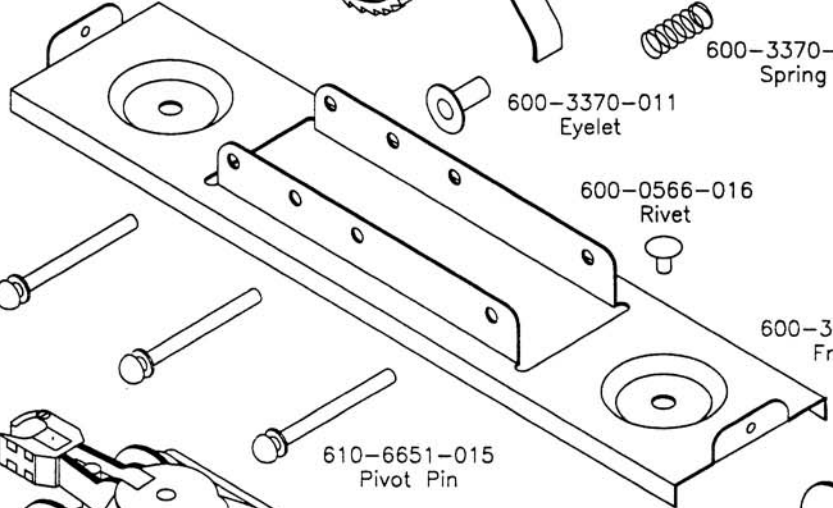
600-3370-009  
Spring



600-3370-011  
Eyelet



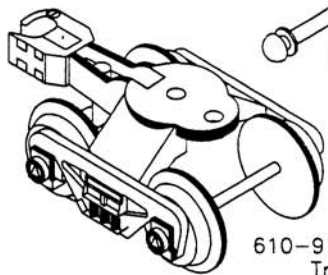
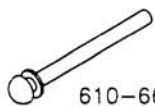
600-0566-016  
Rivet



600-3370-005  
Frame

610-6651-050  
Truck Assembly with Cam  
Includes 610-6651-100

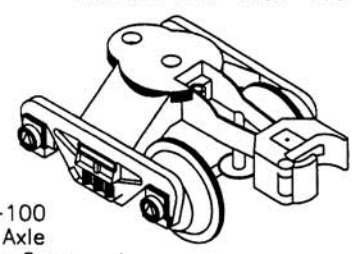
610-6651-015  
Pivot Pin



610-9150-050  
Truck

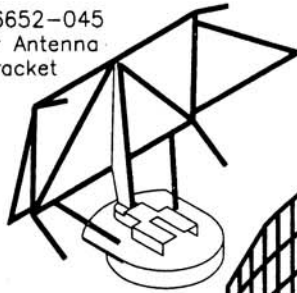


610-6651-100  
Wheel and Axle  
Assembly with Cam

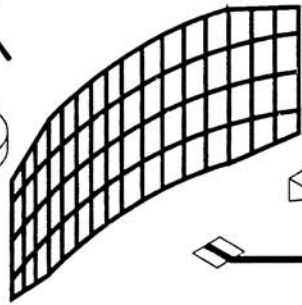


# 1-6652 RADAR CAR

610-6652-045  
Radar Antenna  
Bracket



610-6652-055  
Radar Screen



610-6652-065  
Radar Dipole



610-6652-028  
Drive Shaft



690-671M-023  
Washer



600-3362-022  
Spring



690-671M-023  
Washer



600-0681-121  
Thrust Bearing



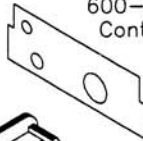
610-6652-085  
Crewman



610-6652-025  
Antenna



600-0044-023  
Control Panel

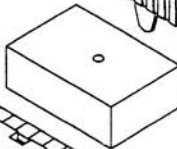


610-6652-025  
Antenna



600-0044-023  
Control Panel

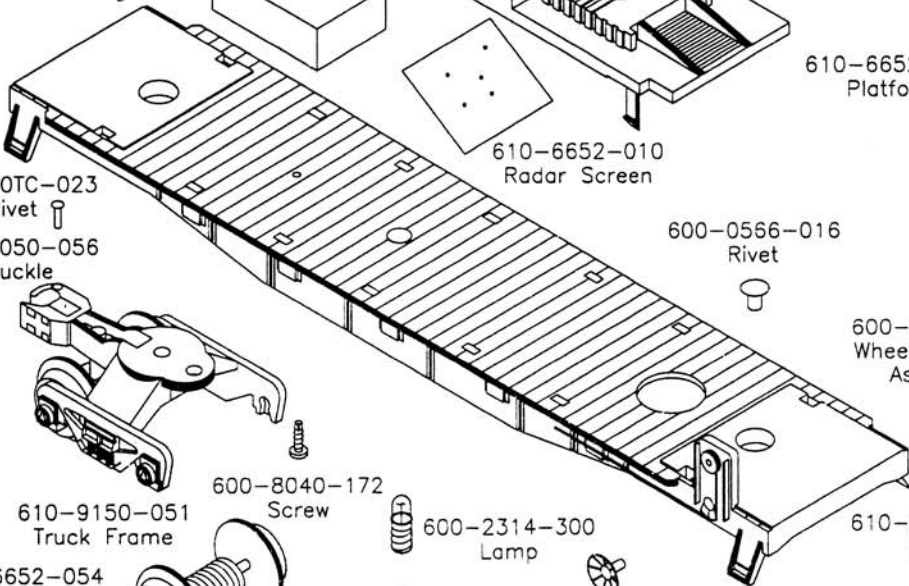
610-6652-559  
Weight



610-6652-035  
Antenna Post



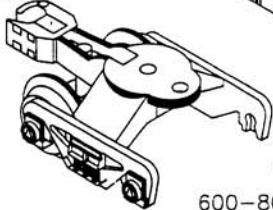
610-6652-015  
Platform



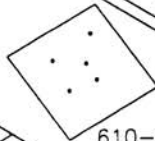
691-00TC-023  
Rivet



610-9050-056  
Knuckle



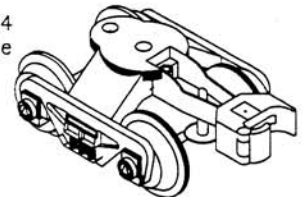
610-6652-010  
Radar Screen



600-0566-016  
Rivet



610-9150-050  
Truck Assembly



600-9050-054  
Wheel and Axle  
Assembly

610-9150-051  
Truck Frame



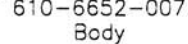
600-8040-172  
Screw



600-2314-300  
Lamp



610-6652-007  
Body



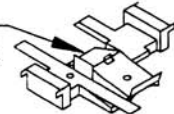
610-6652-054  
Worm Gear and  
Wheel and Axle  
Assembly



600-9020-010  
Brakewheel



600-8209-165  
Roller and Bracket



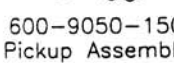
610-6652-075  
Drive Spur Gear



610-2314-310  
Socket with Leads

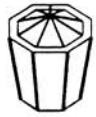


600-9050-150  
Pickup Assembly



# 1-2818 ANIMATED FREIGHT STATION

(Page 1 of 2)



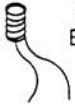
600-0071-008  
Lamp Shade



600-2170-006  
Socket Retainer



600-2314-300  
Bulb



600-2170-350  
Bulb and Socket  
Assembly

Socket Not Available  
Separately

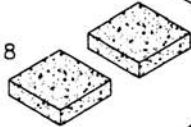


818-0000-107  
Screw

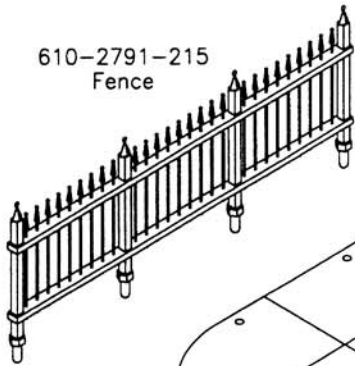


600-2170-004  
Lamp Post

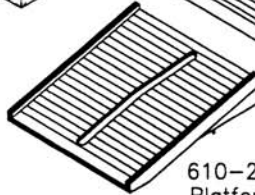
600-8265-518  
Foam Pad



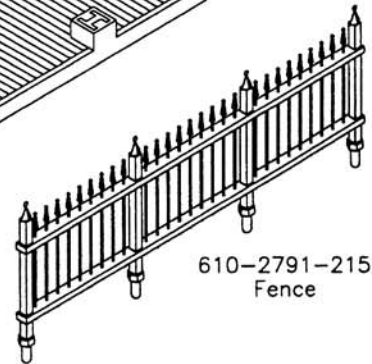
610-2791-215  
Fence



610-2818-154  
Platform Ramp



610-2791-215  
Fence



610-2818-032  
Figure  
Crate Handler



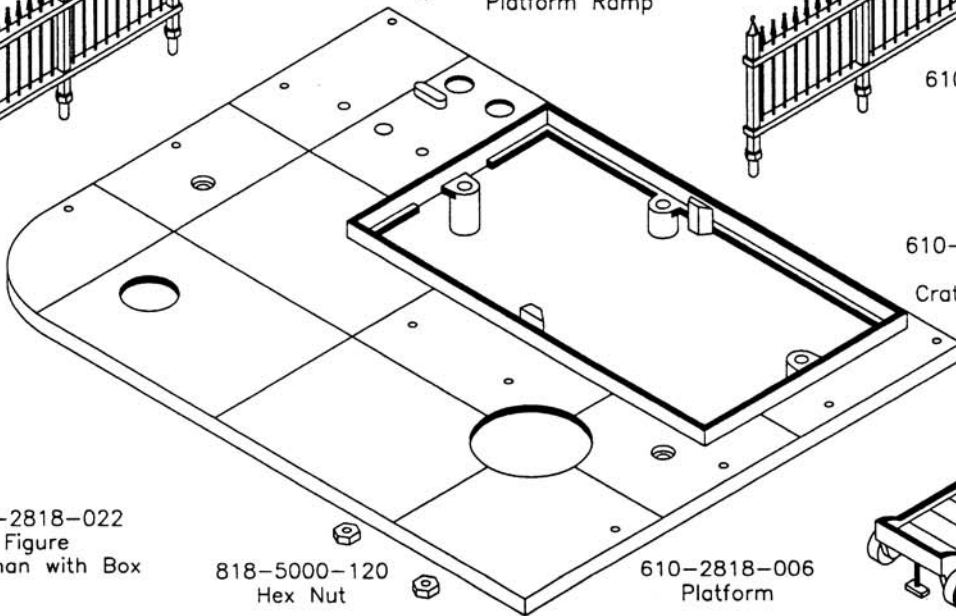
610-2818-022  
Figure  
Workman with Box



818-5000-120  
Hex Nut

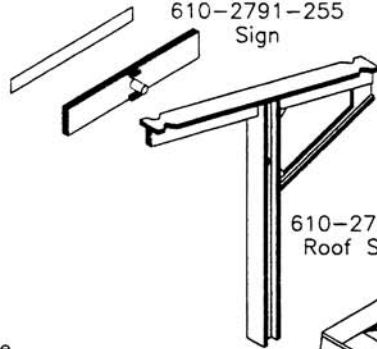


610-2818-006  
Platform



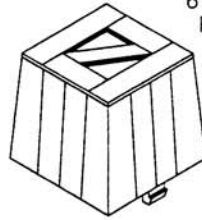
610-2818-062  
Pull Cart Assembly

600-0145-025  
Nameplate Decal  
610-2791-255  
Sign

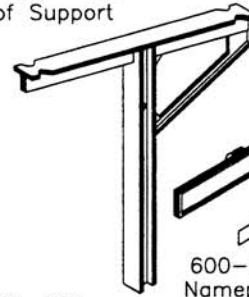


600-0145-025  
Nameplate Decal

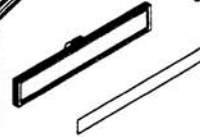
610-2791-225  
Roof Support



610-2791-225  
Roof Support

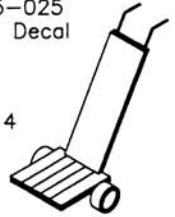


610-2791-255  
Sign

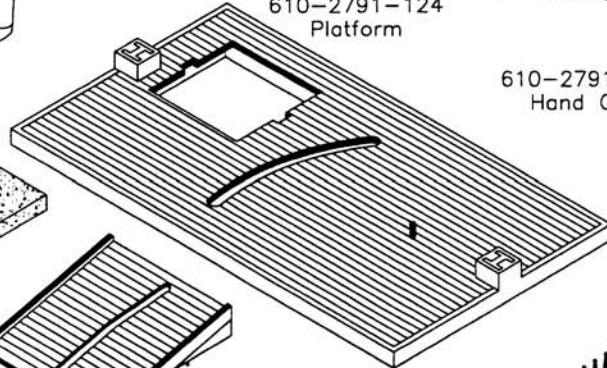


600-0145-025  
Nameplate Decal

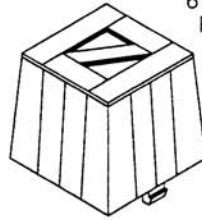
610-2791-114  
Hand Cart



610-2791-124  
Platform



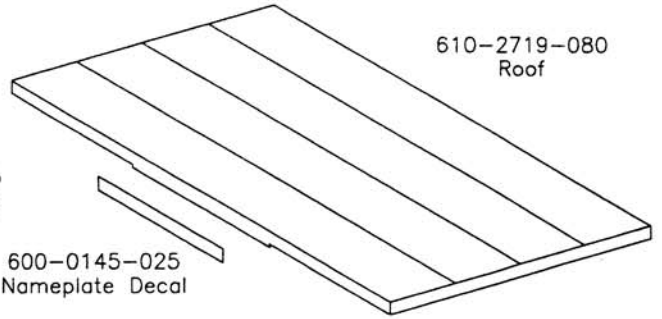
610-2818-042  
Crate



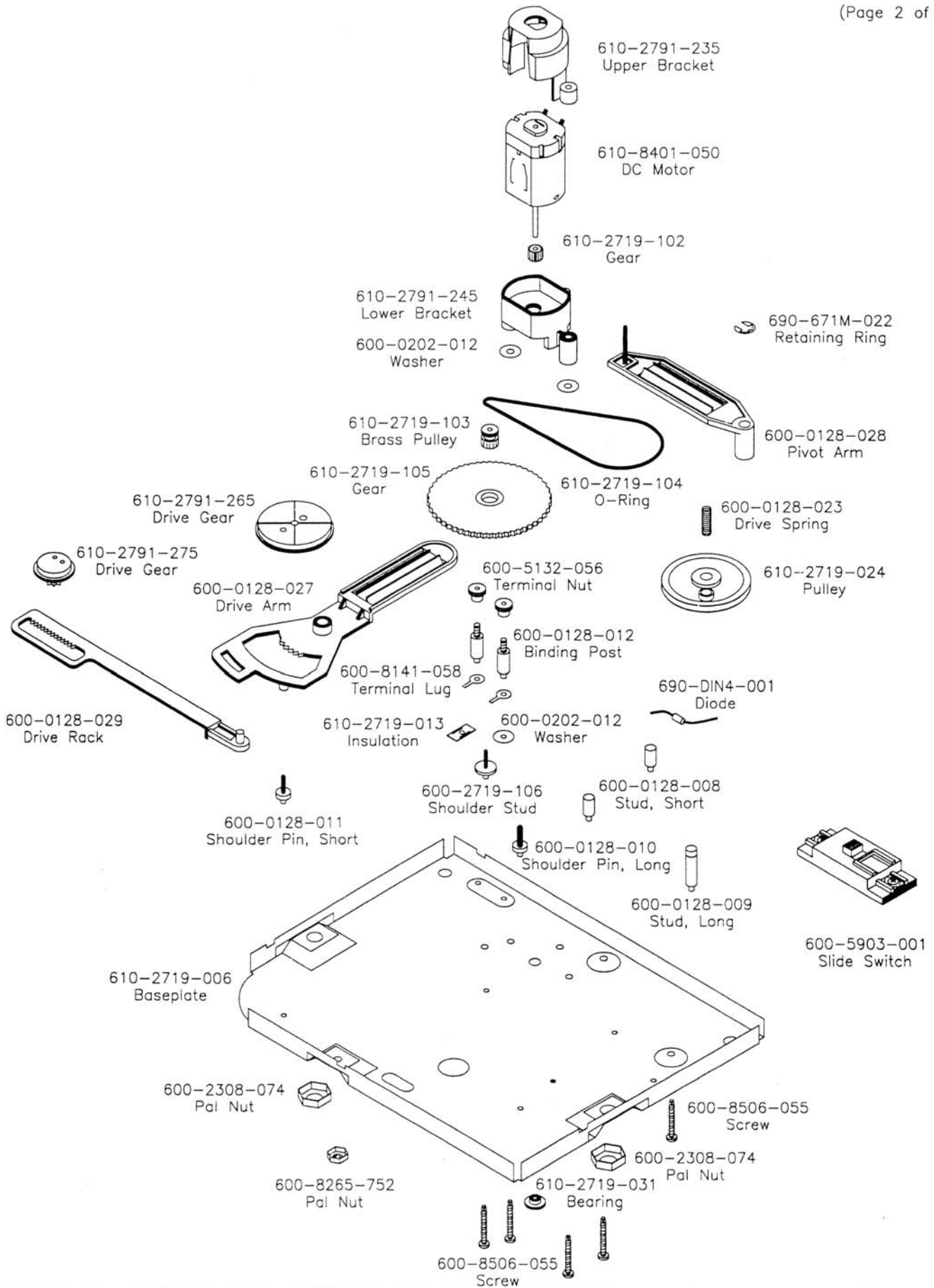
610-2818-012  
Figure  
Freight Handler



610-2719-080  
Roof



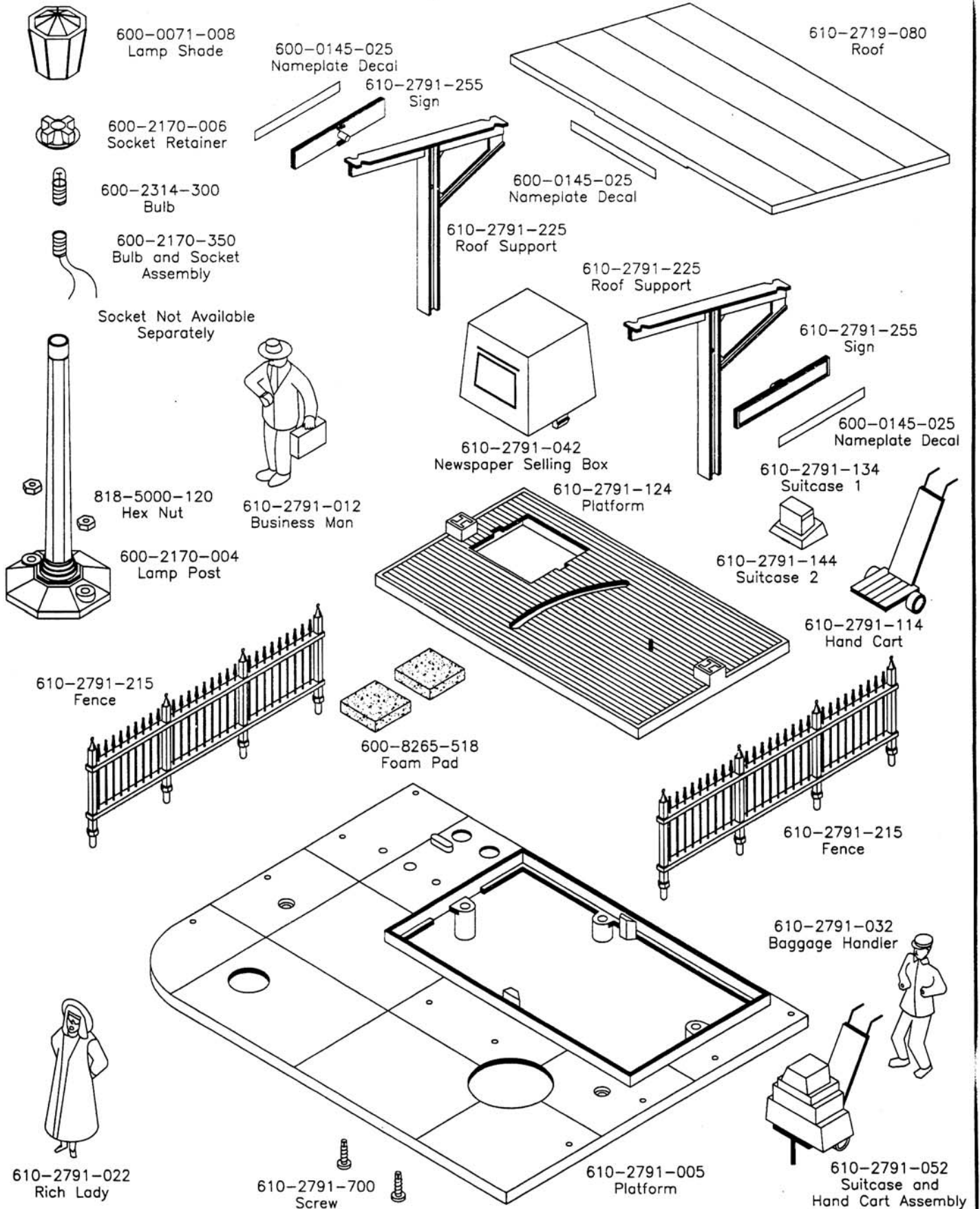
# 1-2818 ANIMATED FREIGHT STATION





# 1-2791 ANIMATED PASSENGER STATION

(Page 1 of 2)



# 1-2791 ANIMATED PASSENGER STATION

(Page 2 of 2)

