



PARTS LISTS AND EXPLODED DIAGRAMMS

SUPPLEMENT 25

By Gary T. Svehar

Edited by Cindy Lee Floyd

Diagrams by Steven Gugel

Notice to the User

This supplement is designed to fit with two different publications, the *Lionel Service Manual* by Lionel Trains, Inc., and *Lionel Parts Lists and Exploded Diagrams* published by Greenberg Book Division, Kalmbach Publishing Co. Each page has two page numbers. The number for the *Lionel Service Manual* is indicated by parentheses, e.g., (A-35). The number which applies to *Lionel Parts Lists and Exploded Diagrams* is above the parentheses, e.g., S25:1-3.

We recommend that readers with the *Lionel Service Manual* insert the pages according to the numbers in the parentheses. On the other hand, we recommend that readers with *Lionel Parts Lists and Exploded Diagrams* keep the pages as a set and insert them into a Supplement binder. Binders to match the 1970-1986 binder are available from Kalmbach Publishing Co. for \$9.95 each, plus \$3.00 shipping and handling. Please call 1-800-533-6644 to place your order. A comprehensive index to the *Lionel Parts Lists and Exploded Diagrams* will be issued periodically, and will take the place of the index at the front of the original 1970-1986 manual.

Authorized by Lionel® Trains, Inc.

Published by Greenberg® Book Division

Kalmbach Publishing Co.

Copyright © 1993 by Lionel Trains, Inc.

All rights reserved.

**Greenberg Book Division
Kalmbach Publishing Co.
21027 Crossroads Circle
Waukesha, Wisconsin 53187
(414) 796-8776**

Manufactured in the United States of America

The Greenberg Book Division of Kalmbach Publishing Co. publishes the world's largest selection of Lionel, American Flyer, LGB, Marx, Ives, and other toy train publications as well as a selection of books on model and prototype railroading, dollhouse building, and collectible toys. For a complete listing of current Greenberg publications, please call 1-800-533-6644 or write to Kalmbach Publishing Co. at the above address.

Greenberg Shows, Inc. sponsors *Greenberg's Great Train, Dollhouse and Toy Shows*, the world's largest of its kind. The shows feature extravagant operating train layouts and a display of magnificent dollhouses. The shows also present a huge marketplace of model and toy trains for HO, N, and Z Scales; Lionel O and Standard Gauges; and S and 1 Gauges; plus layout accessories and railroadians. They also offer a large selection of dollhouse miniatures and building materials, and collectible toys. Shows are scheduled along the East Coast each year from Massachusetts to Florida. For a list of our current shows please call (410) 795-7797 or write to Greenberg Shows, Inc., 7566 Main Street, Sykesville, Maryland 21784 and request a show brochure.

Greenberg Auctions, a division of Greenberg Shows, Inc., offers nationally advertised auctions of toy trains and toys. Please contact our auction manager at (410) 795-7447 for further information.

ISBN 0-89778-378-6

INDEX TO LIONEL PARTS LISTS AND EXPLODED DIAGRAMS SUPPLEMENT 25

ALPHABETICAL INDEX

O AND O27 GAUGES

Diesel Engines and Electrics

Gang Car S25:1-1, 2
601-8417-000

Steam Locomotives

2-6-2 S25:3-1, 2
610-8626-001
2-6-4 S25:3-1, 2
610-8635-001
4-6-2 S25:3-3, 4
610-8630-001

Tenders

Die-cast, Large S25:4-1
691-8626-T01 691-8630-T01

Box, Refrigerator, and Stock Cars

Boxcar with ETD S25:6-1
601-6617-000 601-6622-000
Standard "O" RailSounds Boxcar S25:6-2, 3
601-7214-000

Flatcars

Center I Beam S25:8-1
601-6371-000 601-6372-000
601-6380-000 601-6381-000
Toxic Waste S25:8-2
601-6666-000

Flatcars (*continued*)

TTUX S25:8-3, 4
601-6322-000 601-6334-000
601-6345-000 601-6363-000
With Wood Load S25:8-5
601-6333-000 601-6347-000
601-6350-000 601-6375-000
601-6379-000

Gondolas

With Coil Covers S25:9-1
610-6342-013 610-6343-013
610-6353-014 610-6359-015
610-6367-017 610-9408-013
610-9408-014

Operating Cars

Daffy Duck Handcar S25:11-1
601-8416-000

Passenger Cars

Madison S25:12-1
601-9011-000 601-9019-000
610-9039-000

NUMERICAL LISTING

601-6322-000	S25:8-3, 4	601-8416-000	S25:11-1
601-6333-000	S25:8-5	601-8417-000	S25:1-1, 2
601-6334-000	S25:8-3, 4	601-9011-000	S25:12-1
601-6345-000	S25:8-3, 4	601-9019-000	S25:12-1
601-6347-000	S25:8-5	610-6342-013	S25:9-1
601-6350-000	S25:8-5	610-6343-013	S25:9-1
601-6363-000	S25:8-3, 4	610-6353-014	S25:9-1
601-6371-000	S25:8-1	610-6359-015	S25:9-1
601-6372-000	S25:8-1	610-6367-017	S25:9-1
601-6375-000	S25:8-5	610-8626-001	S25:3-1, 2
601-6379-000	S25:8-5	610-8630-001	S25:3-3, 4
601-6380-000	S25:8-1	610-8635-001	S25:3-1, 2
601-6381-000	S25:8-1	610-9039-000	S25:12-1
601-6617-000	S25:6-1	610-9408-013	S25:9-1
601-6622-000	S25:6-1	610-9408-014	S25:9-1
601-6666-000	S25:8-2	691-8626-T01	S25:4-1
601-7214-000	S25:6-2, 3	691-8630-T01	S25:4-1

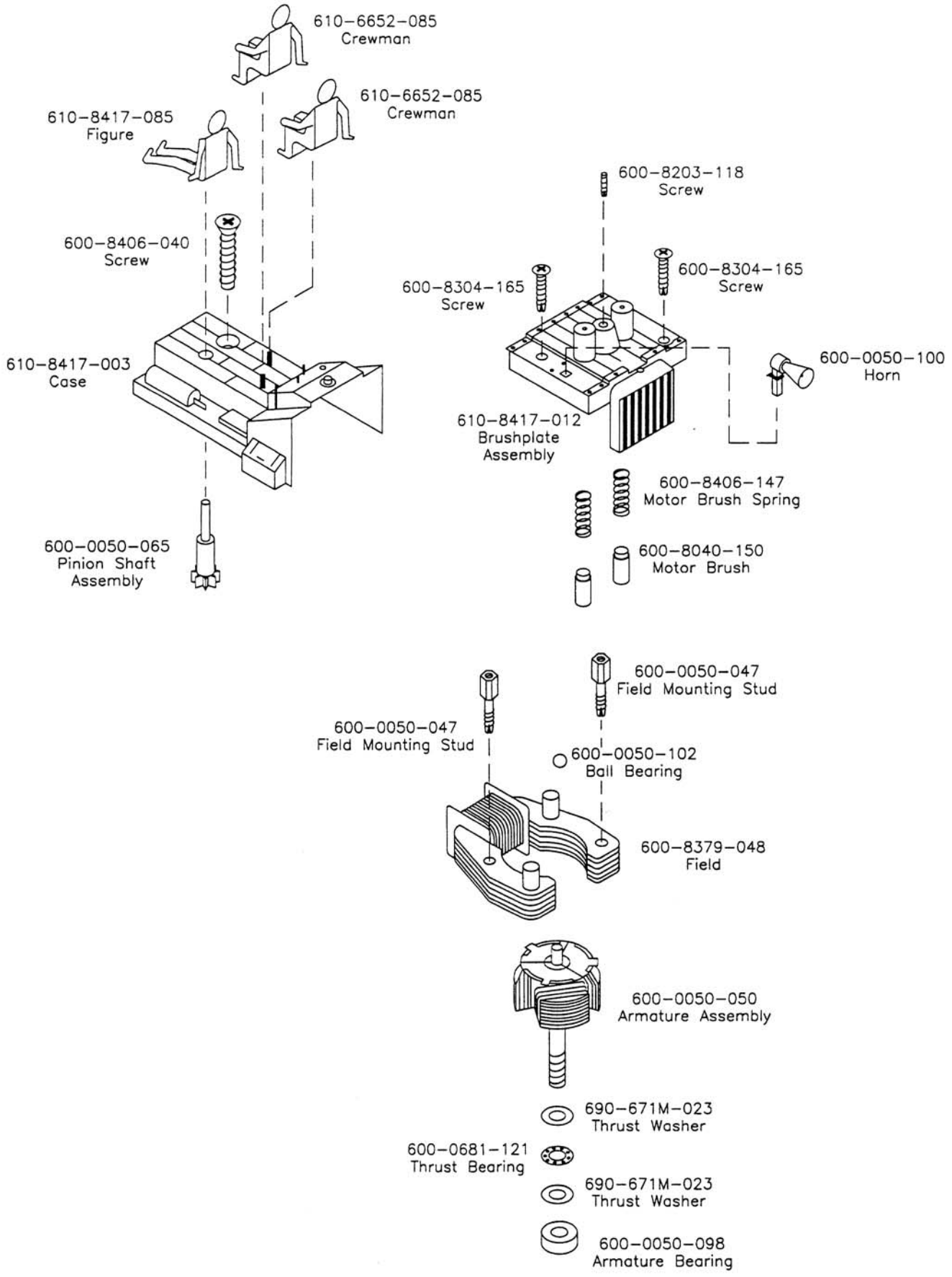
LIONEL SERVICE MANUAL

BY LIONEL SERVICE

Supplement 25

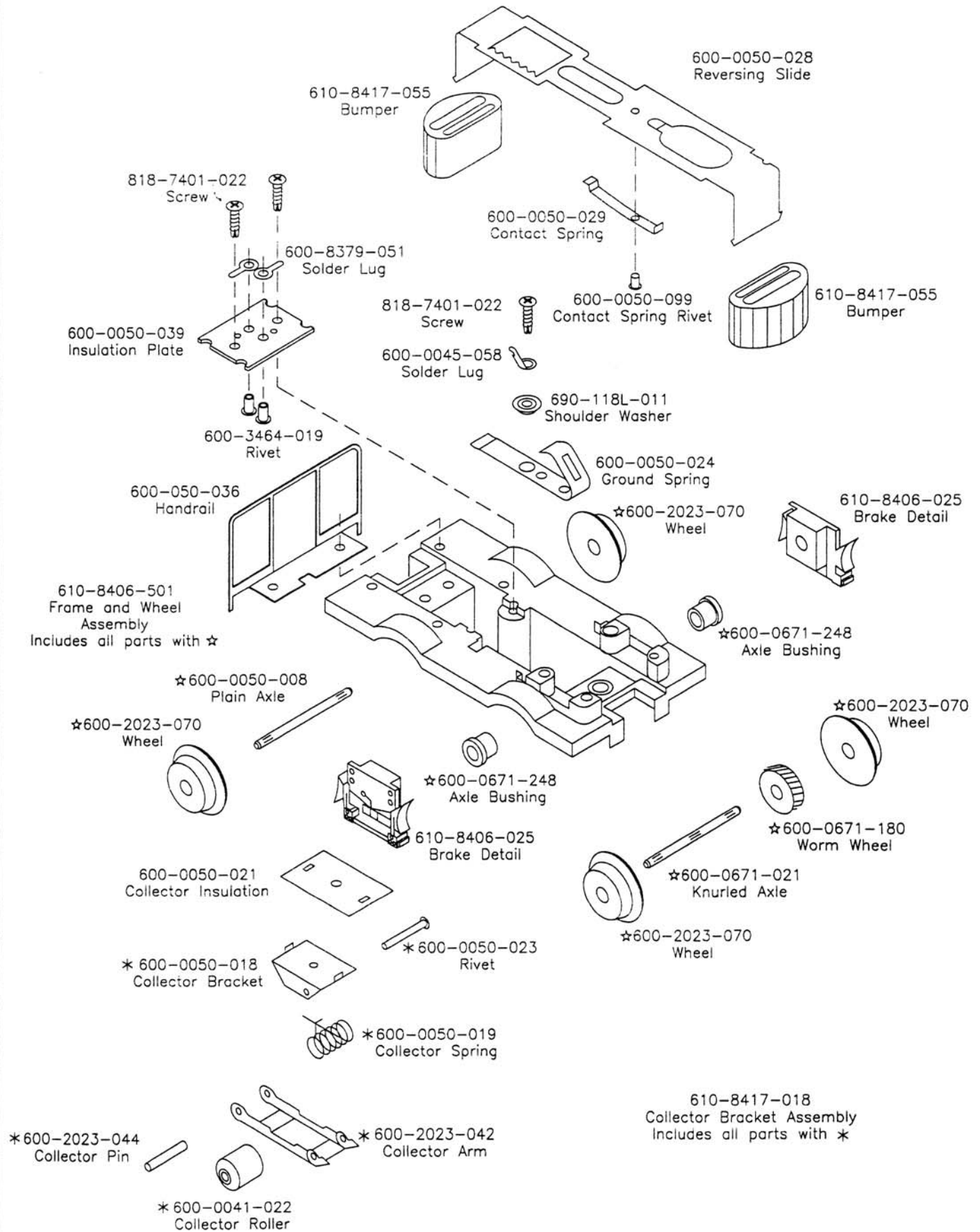
Description	Drawing
Steam Locomotives:	
2-6-2 610-8626-001	(A-55), (A-55-2)
2-6-4 610-8635-001	(A-55), (A-55-2)
4-6-2 610-8630-001	(A-54), (A-54-2)
Tenders:	
Die-cast, Large 691-8626-T01 691-8630-T01	(C-42)
Diesel Engines and Electrics:	
Gang Car 601-8417-000	(B-50), (B-50-2)
Boxcars:	
Boxcar with ETD 601-6617-000 601-6622-000	(F-105)
Standard "O" RailSounds Boxcar 601-7214-000	(F-110), (F-110-2)
Flatcars:	
Center I Beam 601-6371-000 601-6372-000 601-6380-000 601-6381-000	(F-109)
Toxic Waste 601-6666-000	(F-111)
TTUX 601-6322-000 601-6334-000 601-6345-000 601-6363-000	(F-107), (F107-2)
With Wood Load 601-6333-000 601-6347-000 601-6350-000 601-6375-000 601-6379-000	(F-103)
Gondolas:	
With Coil Covers 610-6342-013 610-6343-013 610-6353-014 610-6359-015 610-6367-017 610-9408-013 610-9408-014	(F-104)
Operating Cars:	
Daffy Duck Handcar 601-8416-000	(B-51)
Passenger Cars:	
Madison Car 601-9011-000 601-9019-000 601-9039-000	(F-108)

601-8417-000 GANG CAR



601-8417-000 GANG CAR

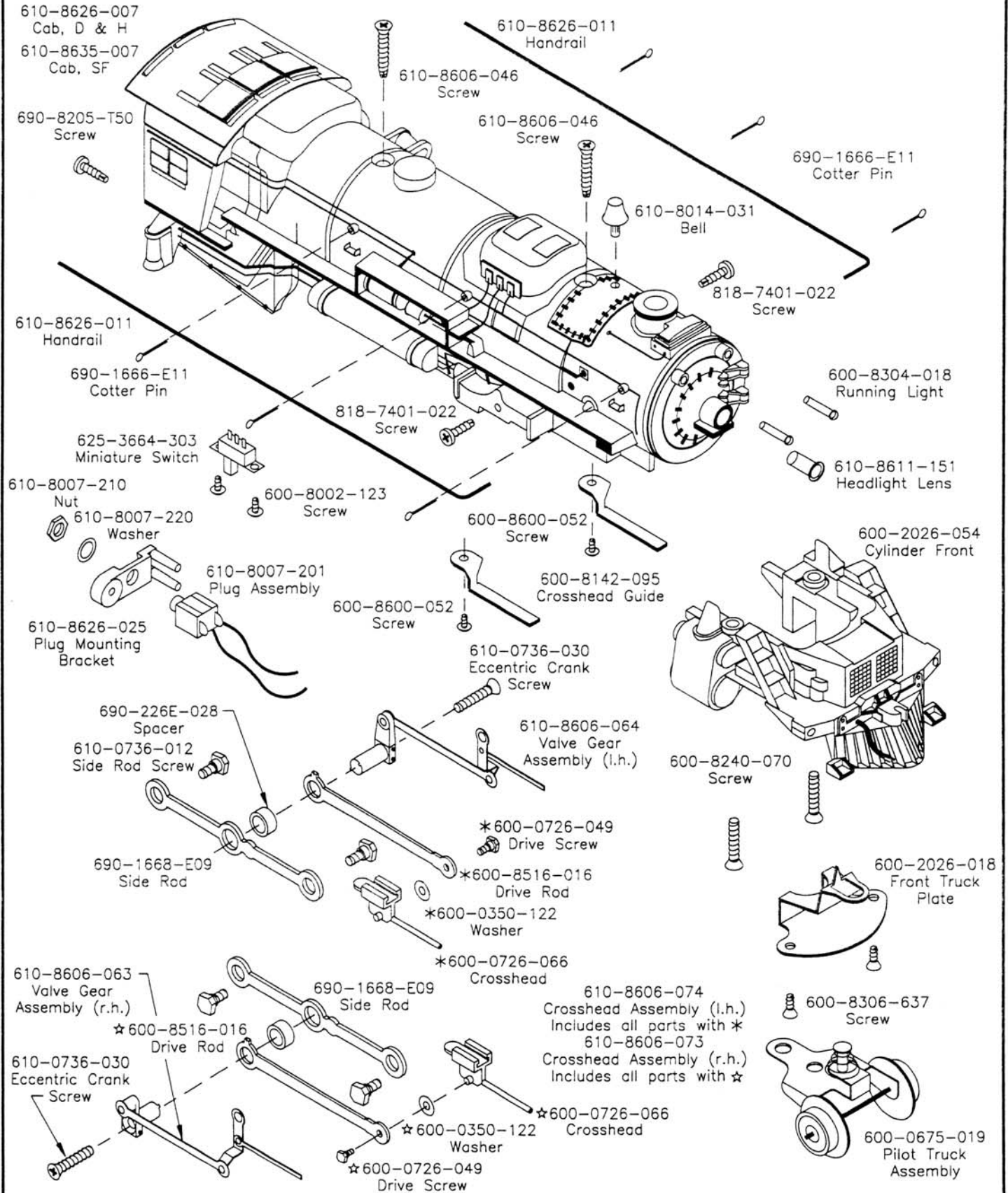
(Page 2 of 2)



STEAM LOCOMOTIVE

610-8626-001 Delaware and Hudson (2-6-2)

610-8635-001 Santa Fe (2-6-4) (Page 1 of 2)

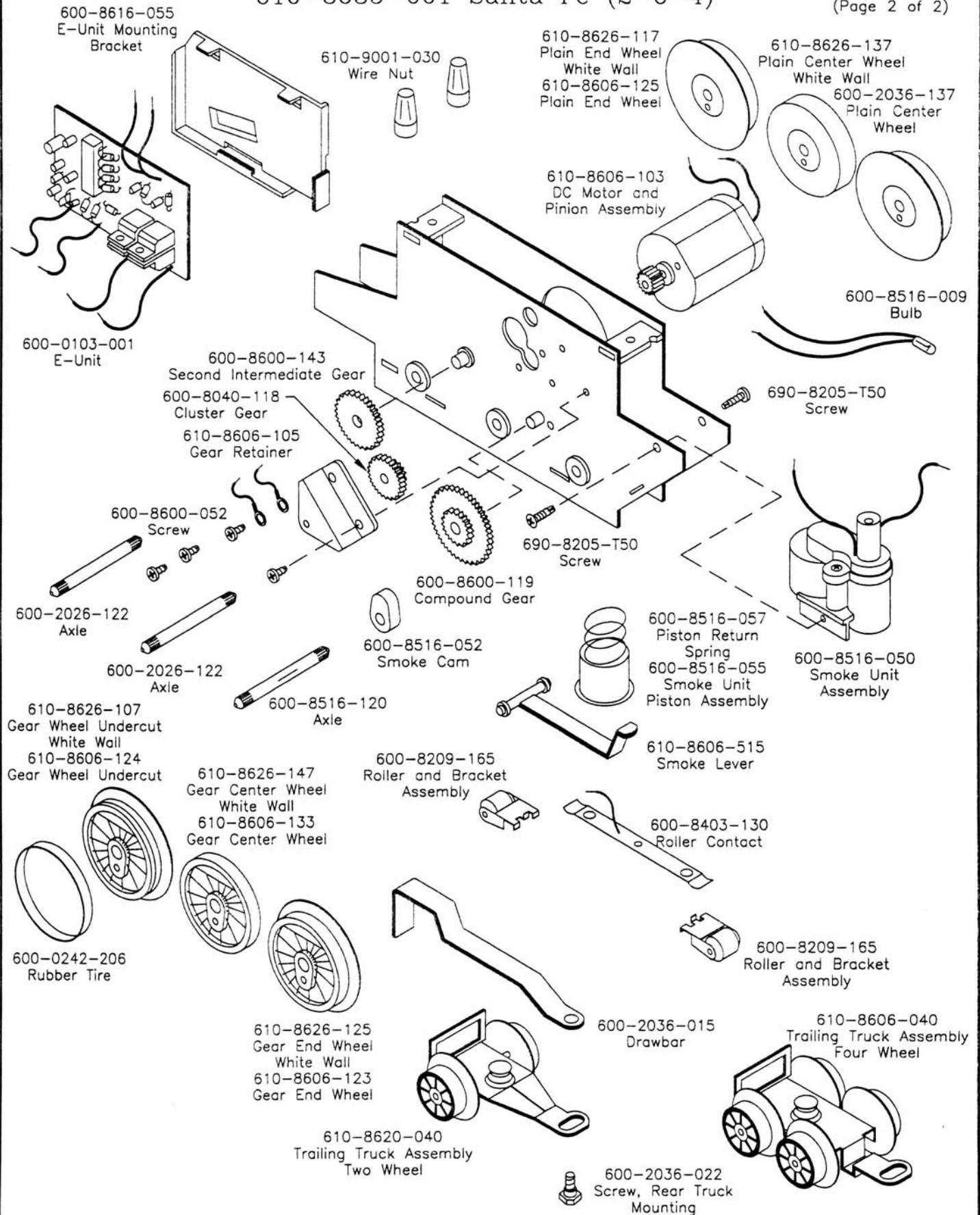


STEAM LOCOMOTIVE

610-8626-001 Delaware and Hudson (2-6-2)

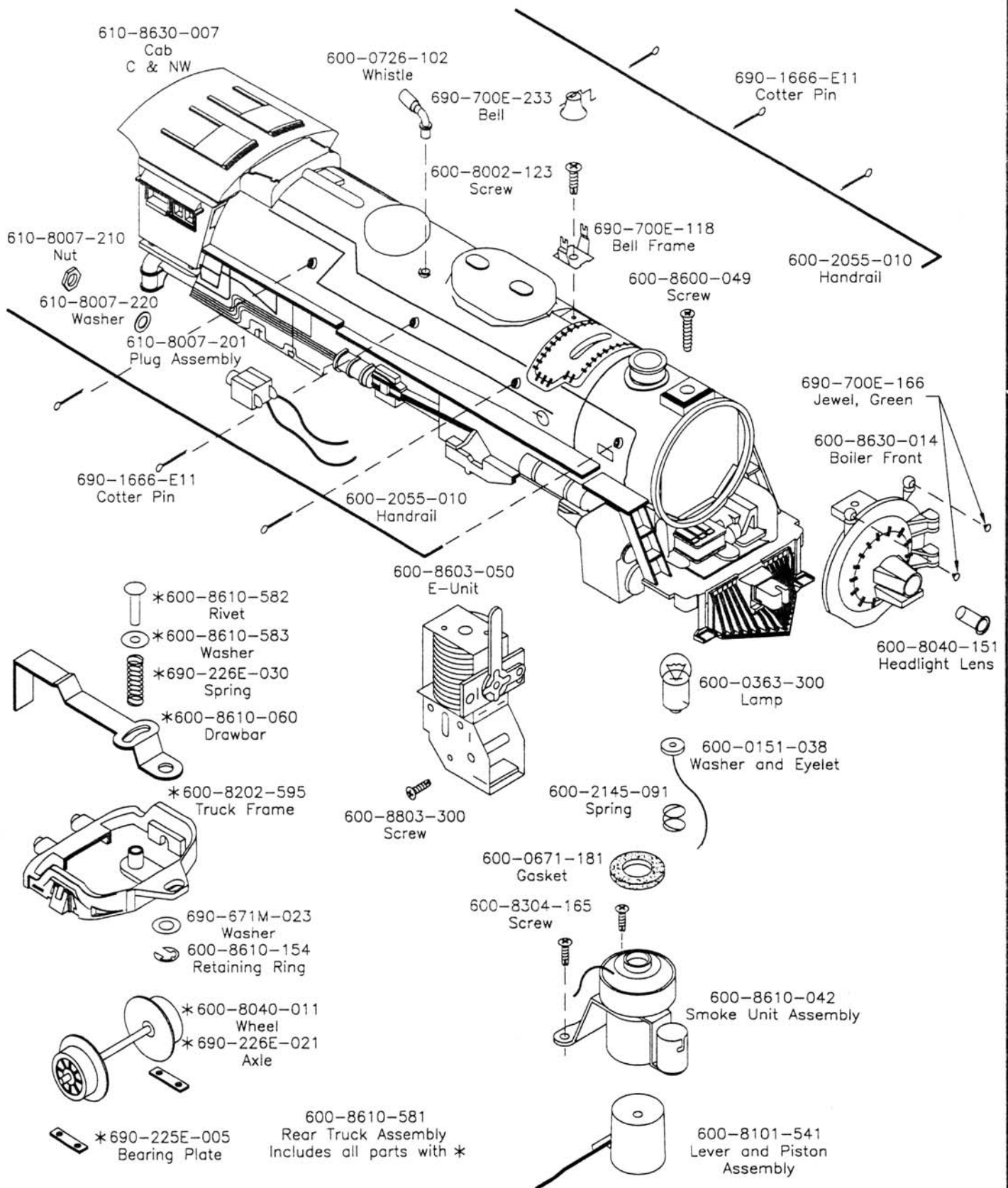
610-8635-001 Santa Fe (2-6-4)

(Page 2 of 2)



4-6-2 STEAM LOCOMOTIVE 610-8630-001 C & NW

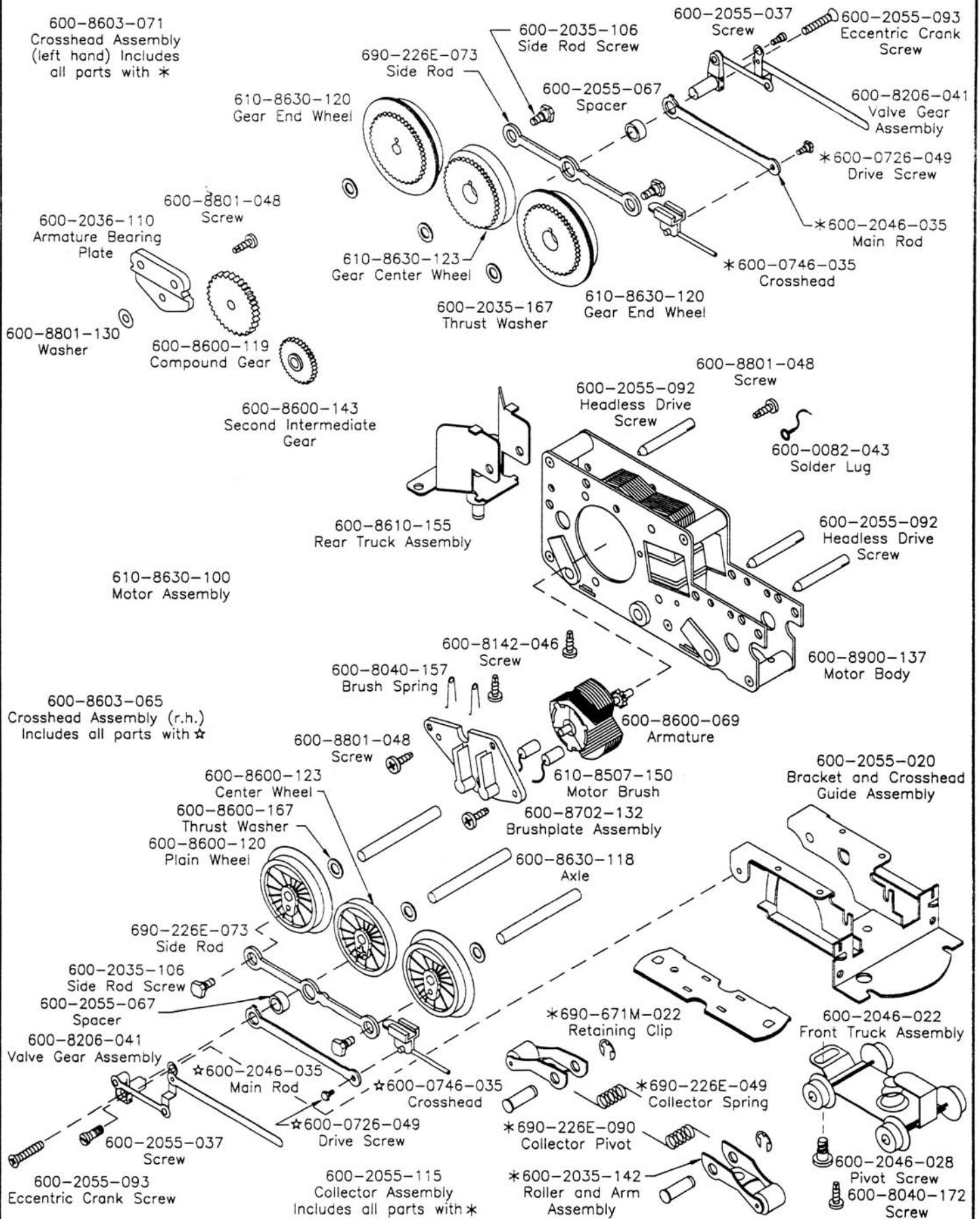
(Page 1 of 2)



4-6-2 STEAM LOCOMOTIVE

610-8630-001 C & NW

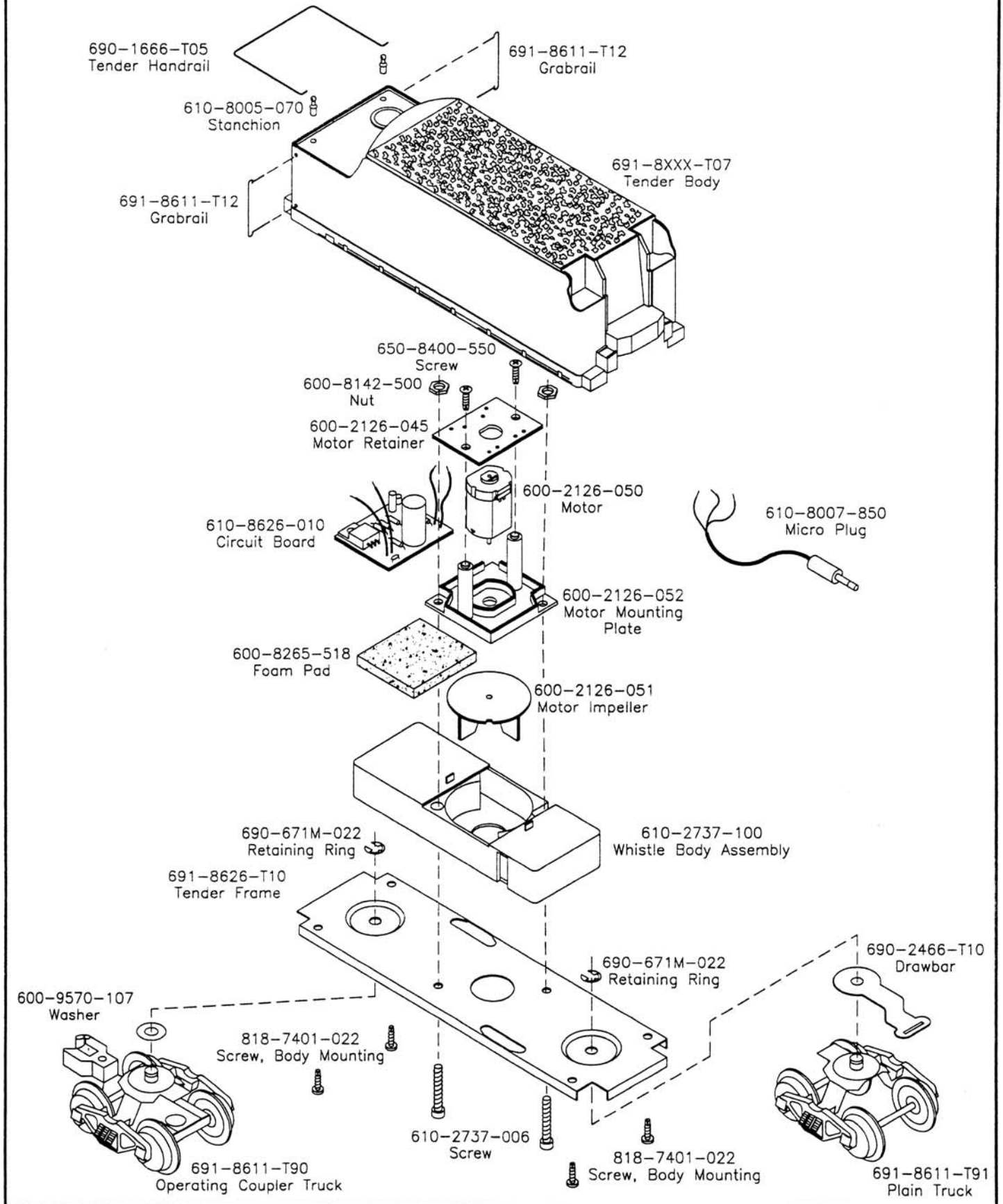
(Page 2 of 2)



TENDER

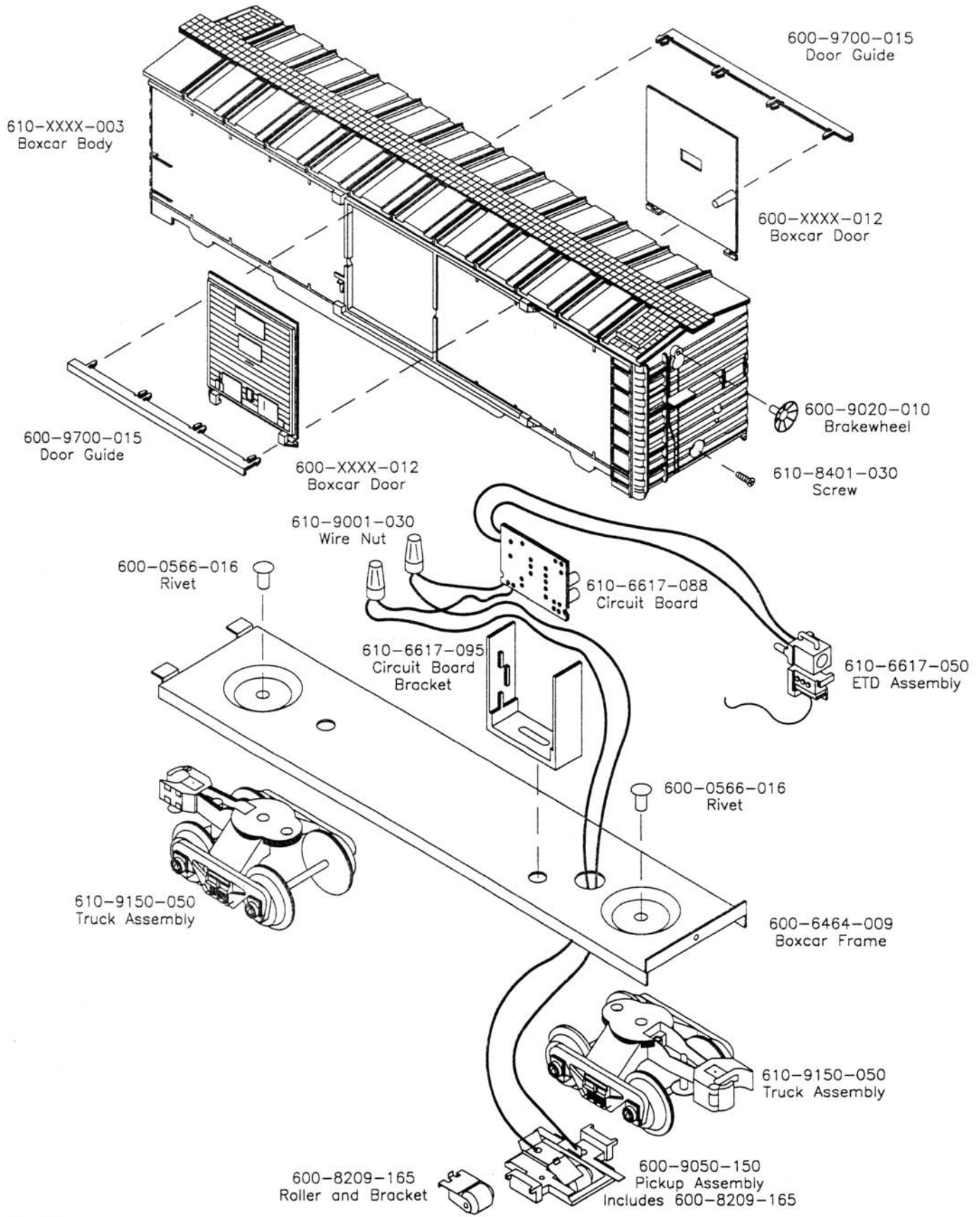
691-8626-T01 Delaware and Hudson

691-8630-T01 C & NW



BOXCAR WITH ETD

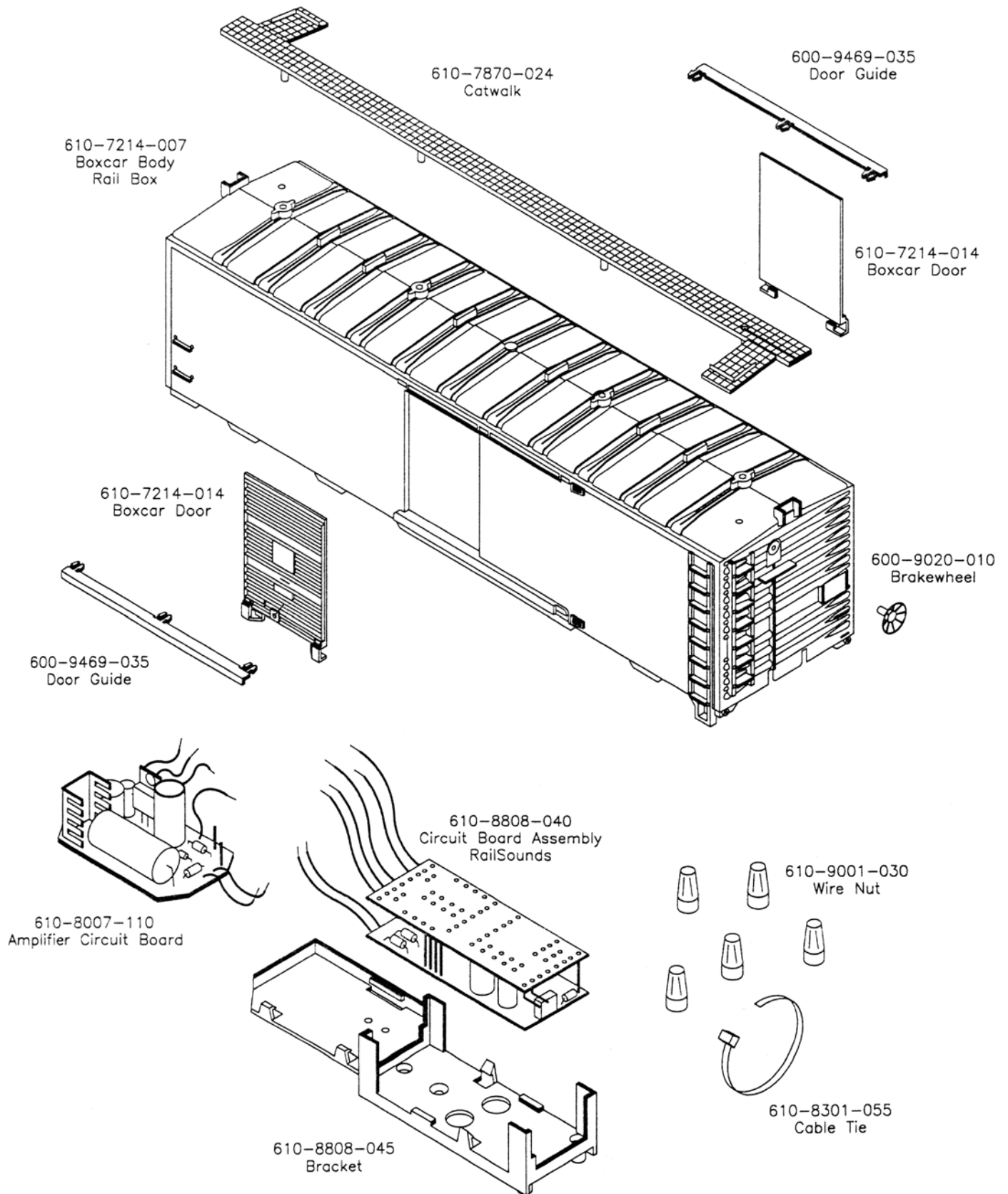
601-6617-000 C & NW
601-6622-000 CSX



STANDARD "O" RAILSOUNDS BOXCAR

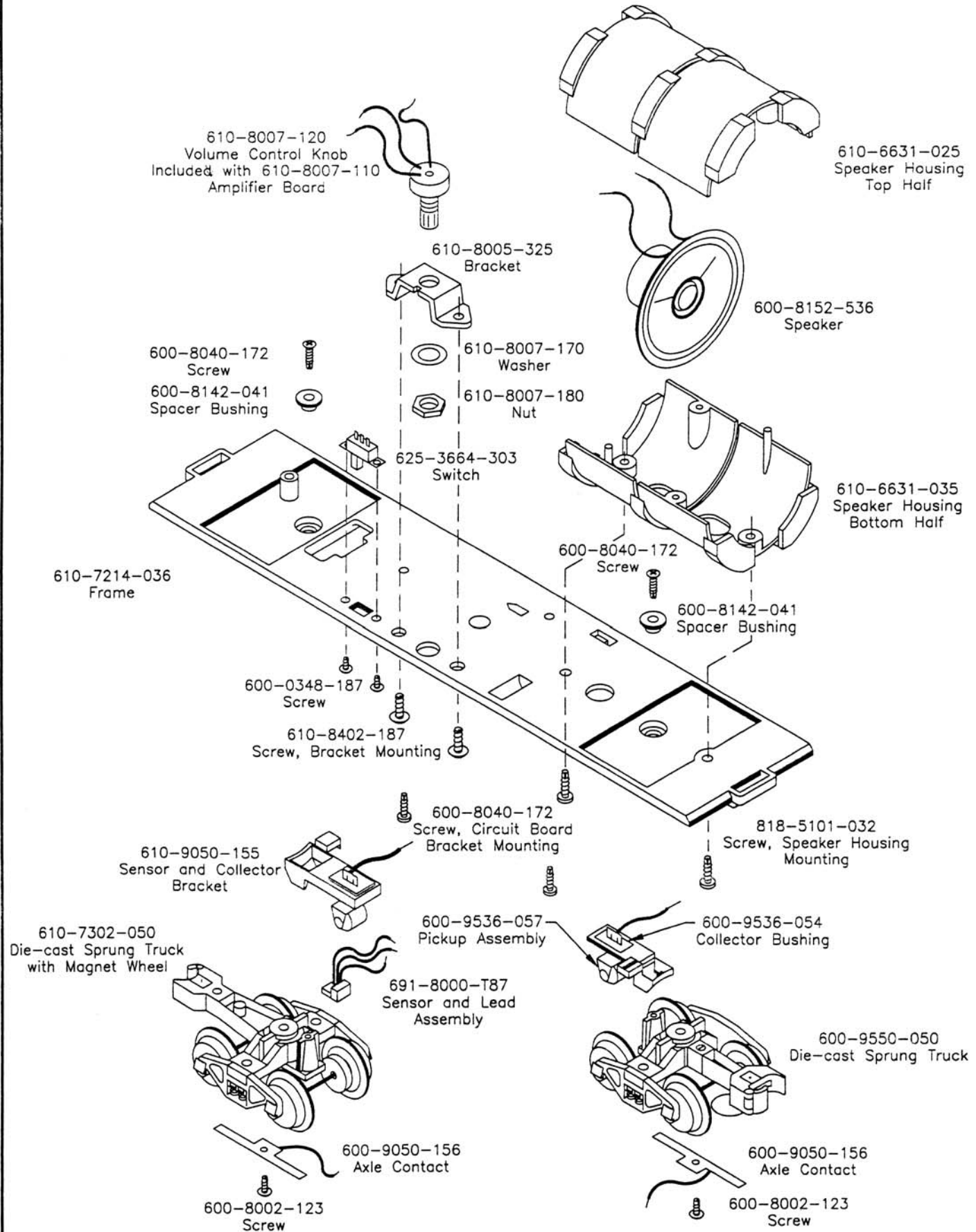
601-7214-000 Rail Box

(Page 1 of 2)



STANDARD "O" RAILSOUNDS BOXCAR 601-7214-000 Rail Box

(Page 2 of 2)

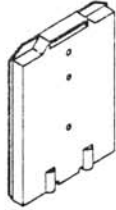


CENTER I BEAM FLATCAR

601-6371-000 Burlington Northern
 601-6372-000 Southern
 601-6380-000 Union Pacific
 601-6381-000 CSXT

650-8400-005
Screw

610-63XX-037
I Beam Flatcar End
without brakewheel



- 610-6371-017
I Beam Flatcar Center
BN
- 610-6372-014
I Beam Flatcar Center
Southern
- 610-6380-015
I Beam Flatcar Center
UP
- 610-6381-015
I Beam Flatcar Center
CSXT

610-63XX-027
I Beam Flatcar End
with brakewheel

650-8400-005
Screw

600-9020-010
Brakewheel

610-6380-043
Plywood 24 pcs.

600-8040-172
Screw

600-8071-030
Eyelet

650-8400-005
Screw

600-8040-172
Screw

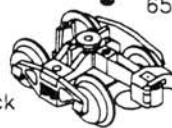
600-8071-030
Eyelet

600-9550-050
Die-cast Sprung Truck

610-63XX-007
Frame

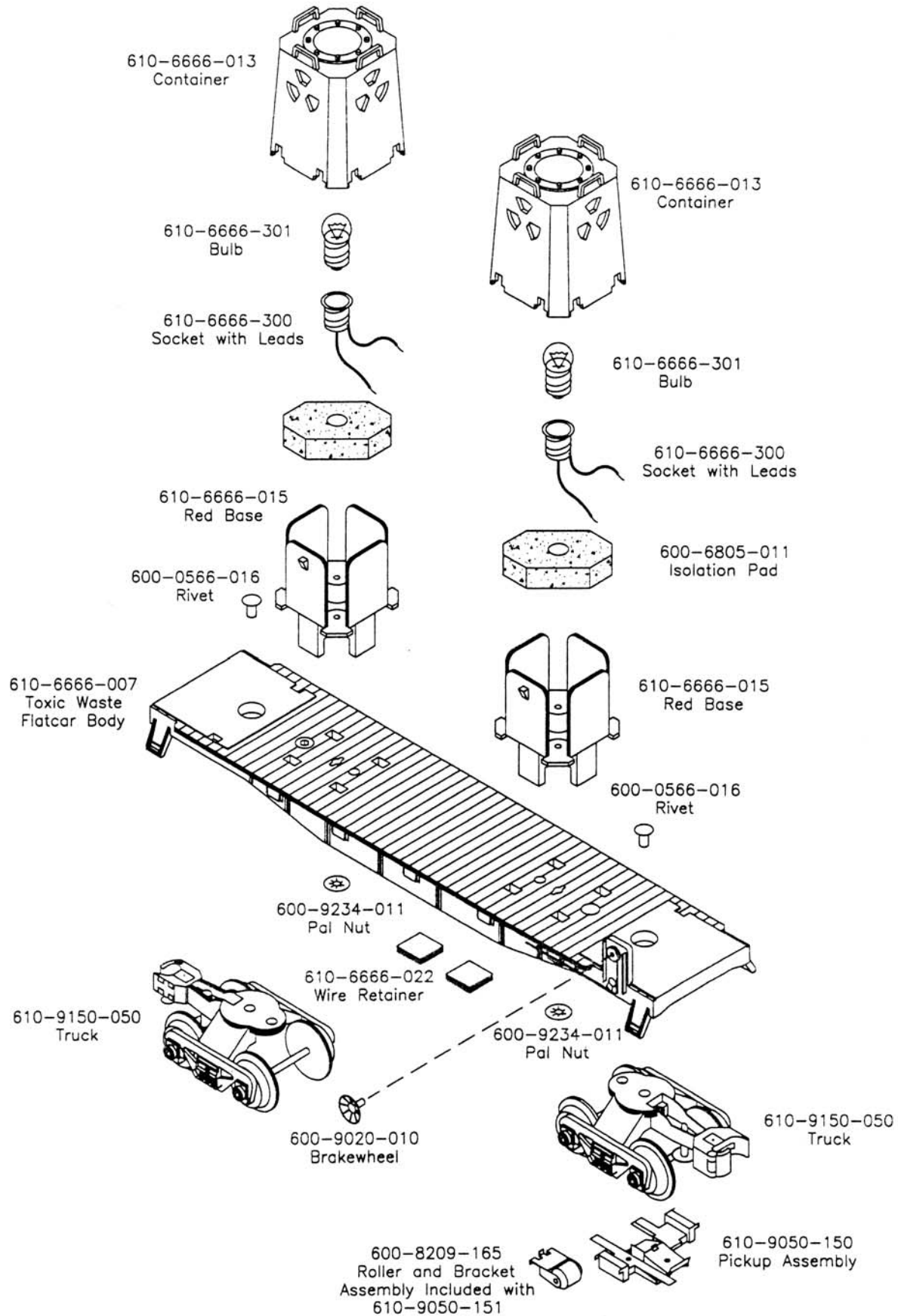
650-8400-005
Screw

600-9550-050
Die-cast Sprung Truck



TOXIC WASTE FLATCAR

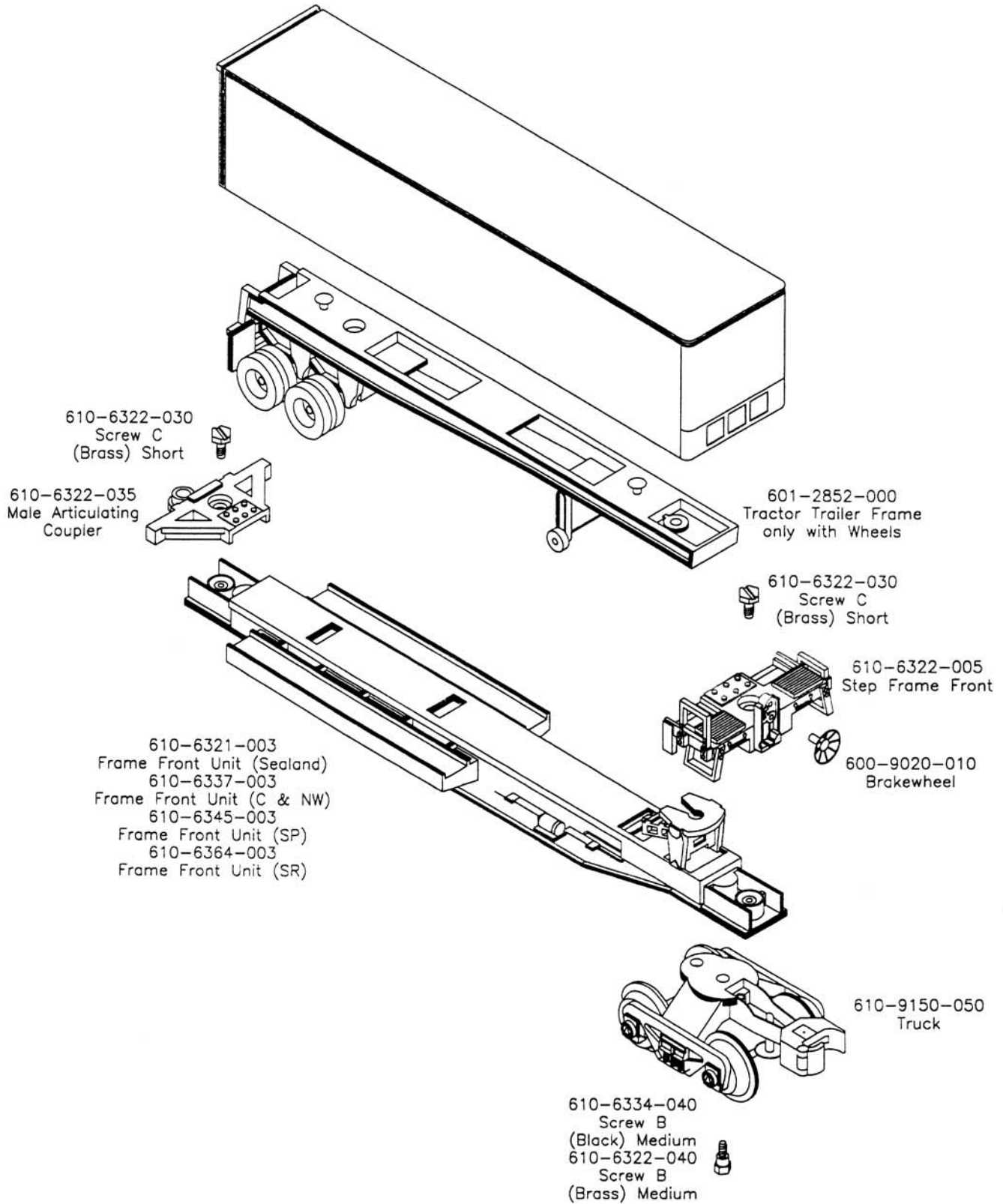
601-6666-000 Lionel Removal Service



TTUX FLATCAR

601-6322-000 Sealand
601-6334-000 C & NW
601-6345-000 SP
601-6363-000 SR

(Page 1 of 2)

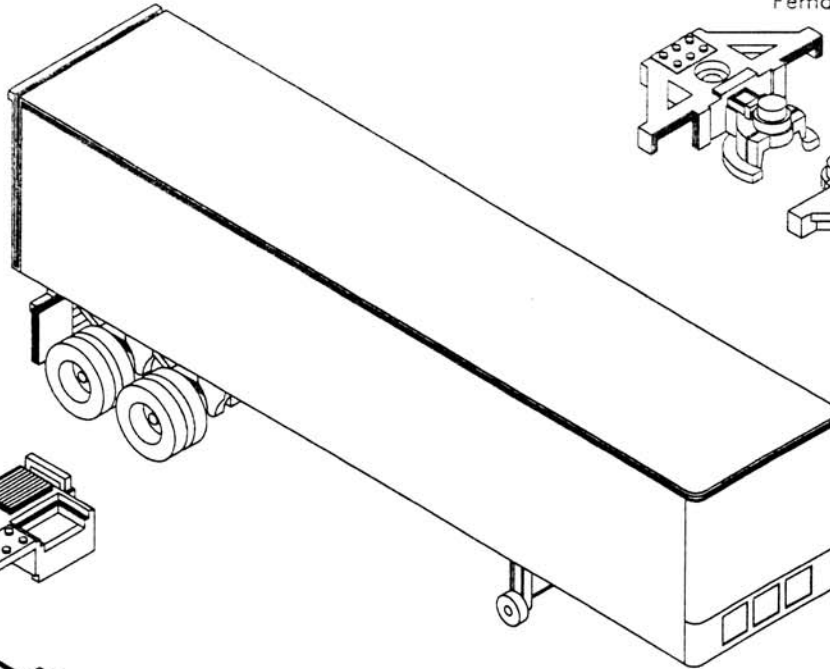


TTUX FLATCAR

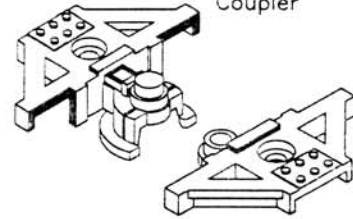
601-6322-000 Sealand
 601-6334-000 C & NW
 601-6345-000 SP
 601-6363-000 SR

(Page 2 of 2)

610-6322-010
 Trailer Sealand
 610-6334-010
 Trailer C & NW
 610-6345-010
 Trailer SP
 610-6363-010
 Trailer SR



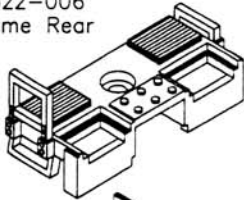
610-6322-025
 Female Articulating
 Coupler



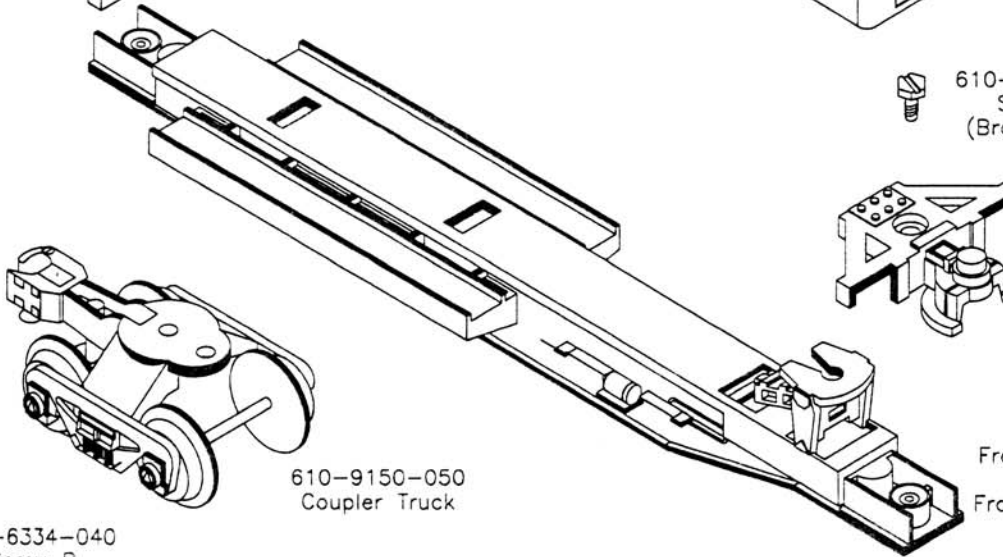
610-6322-035
 Male Articulating
 Coupler

610-6322-030
 Screw C
 (Brass) Short

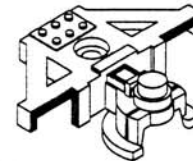
610-6322-006
 Step Frame Rear



610-6322-030
 Screw C
 (Brass) Short



610-6322-025
 Female Articulating
 Coupler

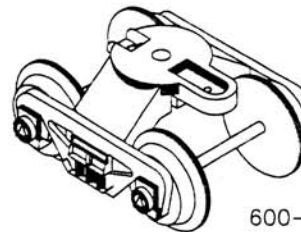
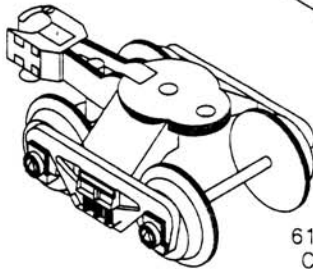


610-6322-003
 Frame Rear Unit Sealand
 610-6338-003
 Frame Rear Unit C & NW
 610-6346-003
 Frame Rear Unit SP
 610-6365-003
 Frame Rear Unit SR

610-6334-040
 Screw B
 (Black) Medium
 610-6322-040
 Screw B
 (Brass) Medium

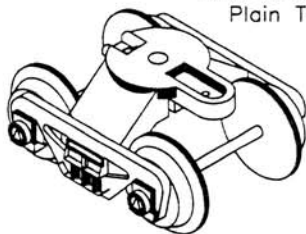


610-9150-050
 Coupler Truck



610-9174-051
 Plain Truck Frame

610-9150-085
 Plain Truck



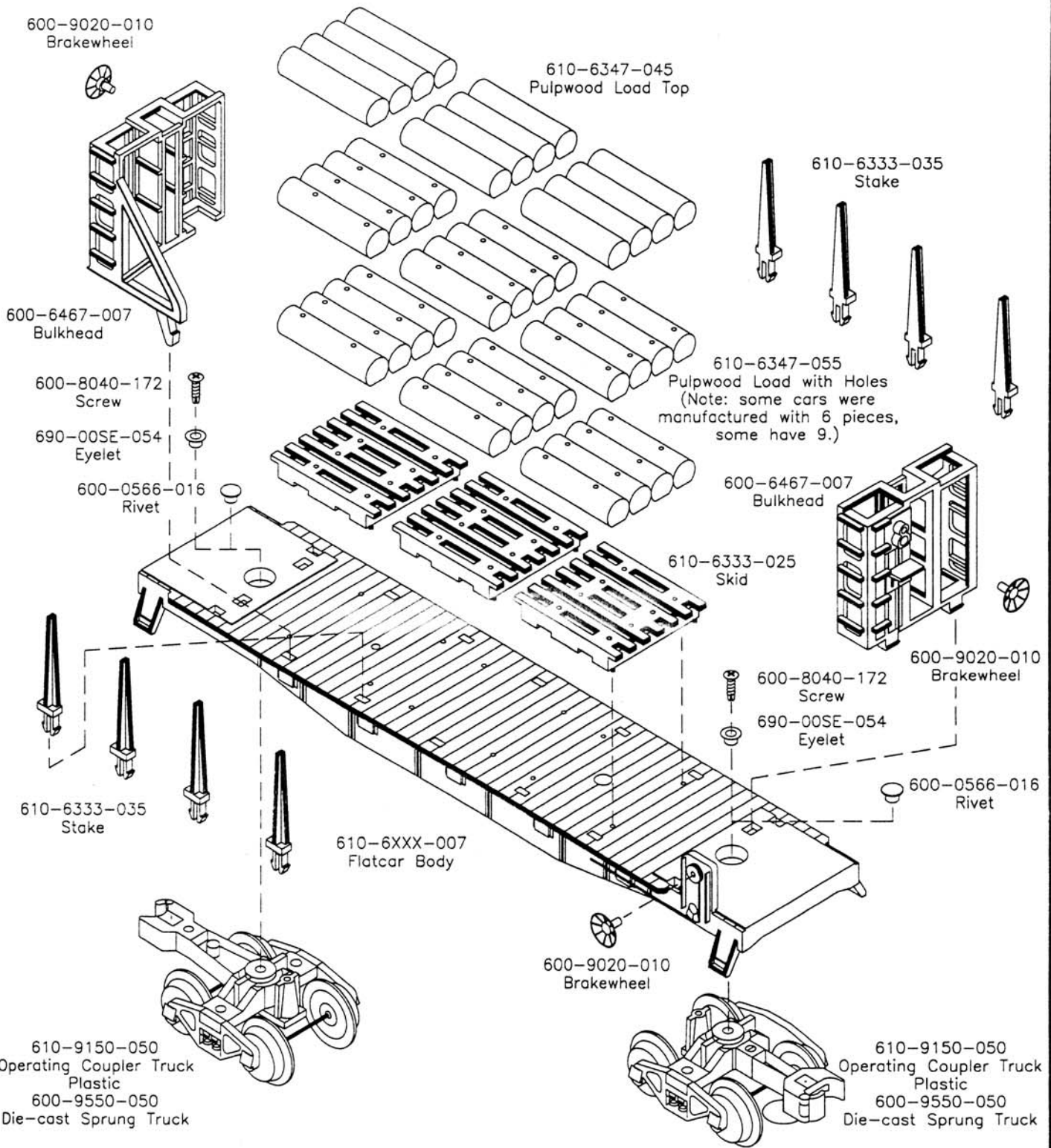
600-9050-054
 Wheel and Axle
 Assembly

610-6334-050
 Screw A
 (Black) Long
 610-6322-050
 Screw A
 (Brass) Long



FLATCAR WITH WOOD LOAD

601-6333-000 Frisco
 601-6347-000 Ontario Northland
 601-6350-000 CP Rail
 610-6375-000 NYC
 601-6379-000 NP



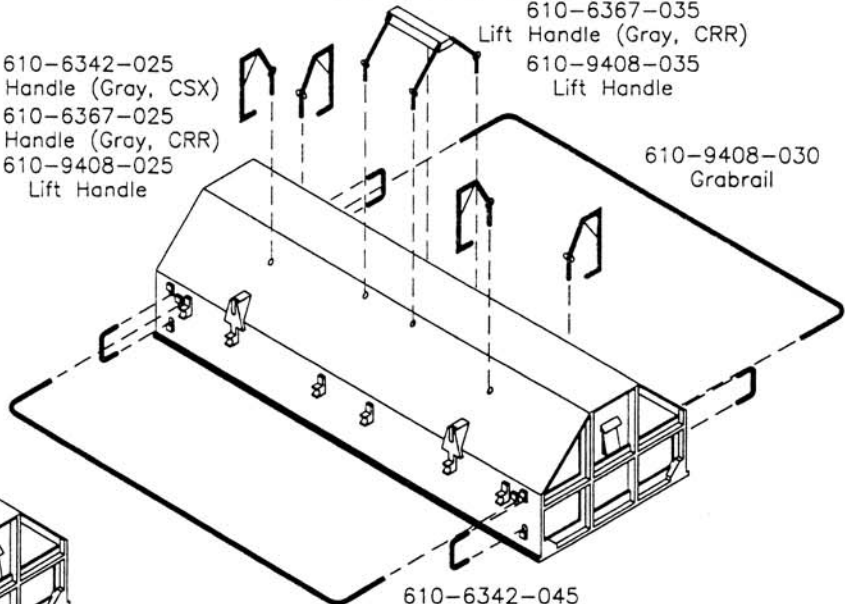
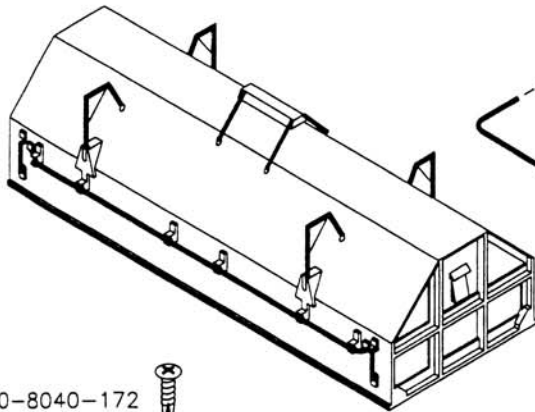
GONDOLA WITH COIL COVERS

- 610-6342-013
Coil Cover (CSX)
- 610-6343-013
Coil Cover (Burlington)
- 610-6353-014
Coil Cover (B & M)
- 610-6359-015
Coil Cover (PC)
- 610-6367-017
Coil Cover (CRR)
- 610-9408-013
Coil Cover (Frisco)
- 610-9408-014
Coil Cover (L & N)

- 610-6342-035
Lift Handle (Gray, CSX)
- 610-6367-035
Lift Handle (Gray, CRR)
- 610-9408-035
Lift Handle

- 610-6342-025
Lift Handle (Gray, CSX)
- 610-6367-025
Lift Handle (Gray, CRR)
- 610-9408-025
Lift Handle

- 610-9408-030
Grabrail

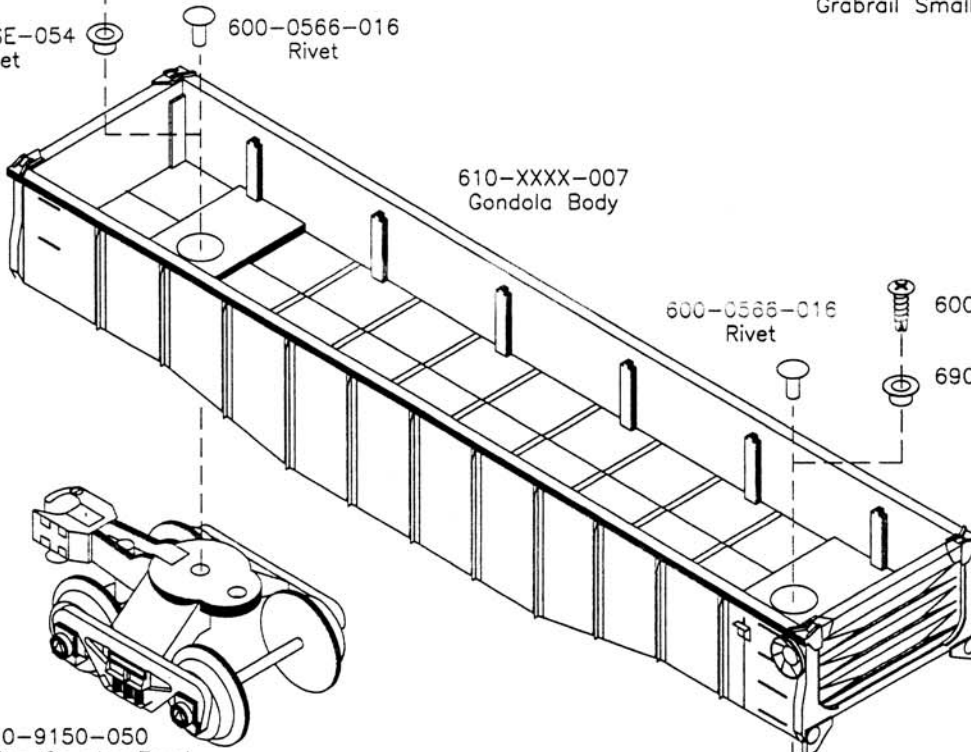


- 600-8040-172
Screw

- 690-00SE-054
Eyelet

- 600-0566-016
Rivet

- 610-6342-045
Grabrail Small (Gray, CSX)
- 610-6367-045
Grabrail Small (Gray, CRR)
- 610-9408-045
Grabrail Small



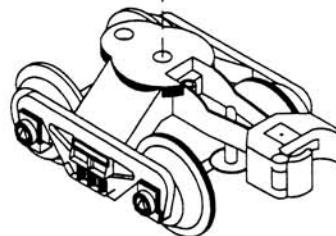
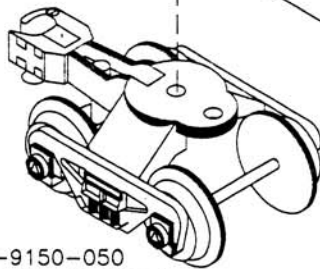
- 610-XXXX-007
Gondola Body

- 600-0566-016
Rivet

- 600-8040-172
Screw

- 690-00SE-054
Eyelet

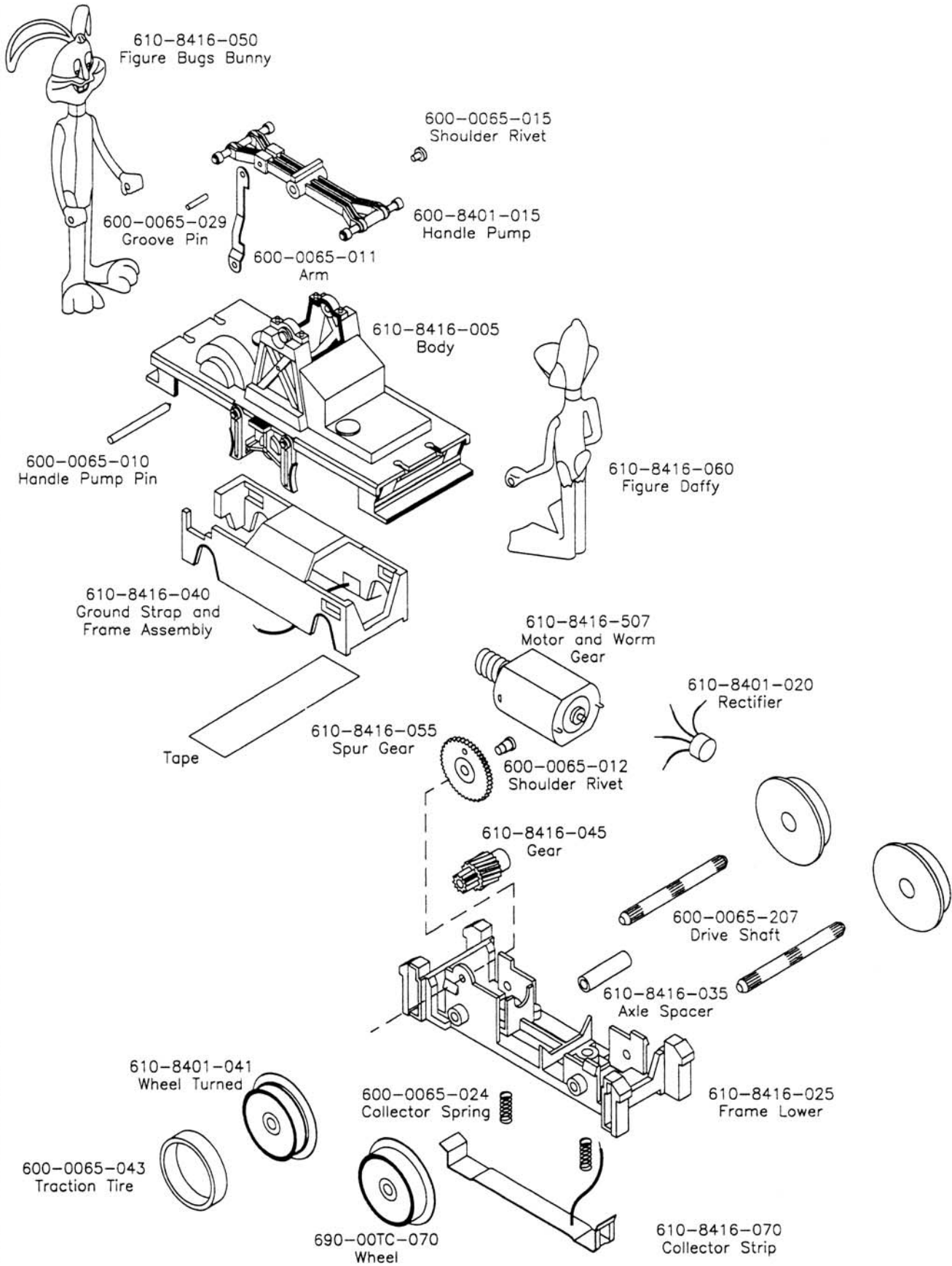
- 610-9150-050
Operating Coupler Truck
Plastic
- 600-9550-050
Die-cast Sprung Truck



- 610-9150-050
Operating Coupler Truck
Plastic
- 600-9550-050
Die-cast Sprung Truck

HANDCAR

601-8416-000 Bugs Bunny and Daffy Duck



MADISON CARS

601-9011-000 Lionel Lines
 601-9019-000 Southern Pacific
 601-9039-000 Pere Marquette

