



PARTS LISTS AND EXPLODED DIAGRAMS

SUPPLEMENT 26

By Gary T. Svehar

Edited by Cindy Lee Floyd

*Diagrams by Steven Gugel and
Lionel Trains, Inc.*

Notice to the User

This supplement is designed to fit with two different publications, the *Lionel Service Manual* by Lionel Trains, Inc., and *Lionel Parts Lists and Exploded Diagrams* published by Greenberg Books, a division of Kalmbach Publishing Co. Each page has two page numbers. The number for the *Lionel Service Manual* is indicated by parentheses, e.g., (A-35). The number which applies to *Lionel Parts Lists and Exploded Diagrams* is above the parentheses, e.g., S26:1-3.

We recommend that readers with the *Lionel Service Manual* insert the pages according to the numbers in the parentheses. On the other hand, we recommend that readers with *Lionel Parts Lists and Exploded Diagrams* keep the pages as a set and insert them into a Supplement binder. Binders to match the 1970-1986 binder are available from Kalmbach Publishing Co. for \$9.95 each, plus \$3.00 shipping and handling. Please call 1-800-533-6644 to place your order. A comprehensive index to the *Lionel Parts Lists and Exploded Diagrams* is issued periodically. The most current index was issued in October 1993 (item number 10-1025) and indexes all items up through Supplement 25.

Authorized by Lionel® Trains, Inc.

Published by Greenberg® Books

Division of Kalmbach Publishing Co.

Copyright © 1994 by Lionel Trains, Inc.

All rights reserved.

Greenberg Books
Division of Kalmbach Publishing Co.
21027 Crossroads Circle
Waukesha, Wisconsin 53187
(414) 796-8776

Manufactured in the United States of America

Greenberg Books, a division of Kalmbach Publishing Co., publishes the world's largest selection of Lionel, American Flyer, LGB, Marx, Ives, and other toy train publications as well as a selection of books on model and prototype railroading, dollhouse building, and collectible toys. For a complete listing of current Greenberg publications, please call 1-800-533-6644 or write to Kalmbach Publishing Co. at the above address.

Greenberg Shows, Inc. sponsors *Greenberg's Great Train, Dollhouse and Toy Shows*, the world's largest of its kind. The shows feature extravagant operating train layouts and a display of magnificent dollhouses. The shows also present a huge marketplace of model and toy trains for HO, N, and Z Scales; Lionel O and Standard Gauges; and S and 1 Gauges; plus layout accessories and railroading. They also offer a large selection of dollhouse miniatures and building materials, and collectible toys. Shows are scheduled along the East Coast each year from Massachusetts to Florida. For a list of our current shows please call (410) 795-7797 or write to Greenberg Shows, Inc., 7566 Main Street, Sykesville, Maryland 21784 and request a show brochure.

Greenberg Auctions, a division of Greenberg Shows, Inc., offers nationally advertised auctions of toy trains and toys. Please contact our auction manager at (410) 795-7447 for further information.

ISBN 0-89778-379-4

INDEX TO LIONEL PARTS LISTS AND EXPLODED DIAGRAMS SUPPLEMENT 26

ALPHABETICAL INDEX

O AND O27 GAUGES

Diesel Engines and Electrics

Dash 8-40B		S26:1-1, 2, 3
1-8211	1-8218	
SD-40		S26:1-4, 5
1-8210	1-8217	

Tenders

Steam, with RailSounds		S26:4-1, 2, 3
601-6655-000	691-6655-T90	
Steam, with Air Whistle		S26:4-4
601-6673-000	691-8632-T01	
691-8633-T01		

Operating Cars

TV Flatcar		S26:11-1
6-16670		

Passenger Cars

GN Observation Car		S26:12-1
601-9120-000		
GN Passenger Car		S26:12-2
601-9118-000		
GN Vista Dome Car		S26:12-3
601-9119-000		

Accessories

Rotary Beacon Tower		S26:14-1
6-12831	6-12720	

LARGE SCALE

Locomotives

Thomas the Tank Steam Locomotive		S26:20-1, 2
818-5120-001		

Passenger Cars

Annie and Clarabel		S26:25-1
818-6006-001	818-6007-001	

NUMERICAL LISTING

1-8210	S26:1-4, 5	601-9118-000	S26:12-2
1-8211	S26:1-1, 2, 3	601-9119-000	S26:12-3
1-8217	S26:1-4, 5	601-9120-000	S26:12-1
1-8218	S26:1-1, 2, 3	691-8632-T01	S26:4-4
6-12831	S26:14-1	691-6655-000	S26:4-2, 3
6-12720	S26:14-1	691-8633-T01	S26:4-4
6-16670	S26:11-1	818-6006-001	S26:25-1
601-6655-000	S26:4-1	818-6007-001	S26:25-1
601-6673-000	S26:4-4	818-5120-001	S26:20-1, 2

LIONEL SERVICE MANUAL

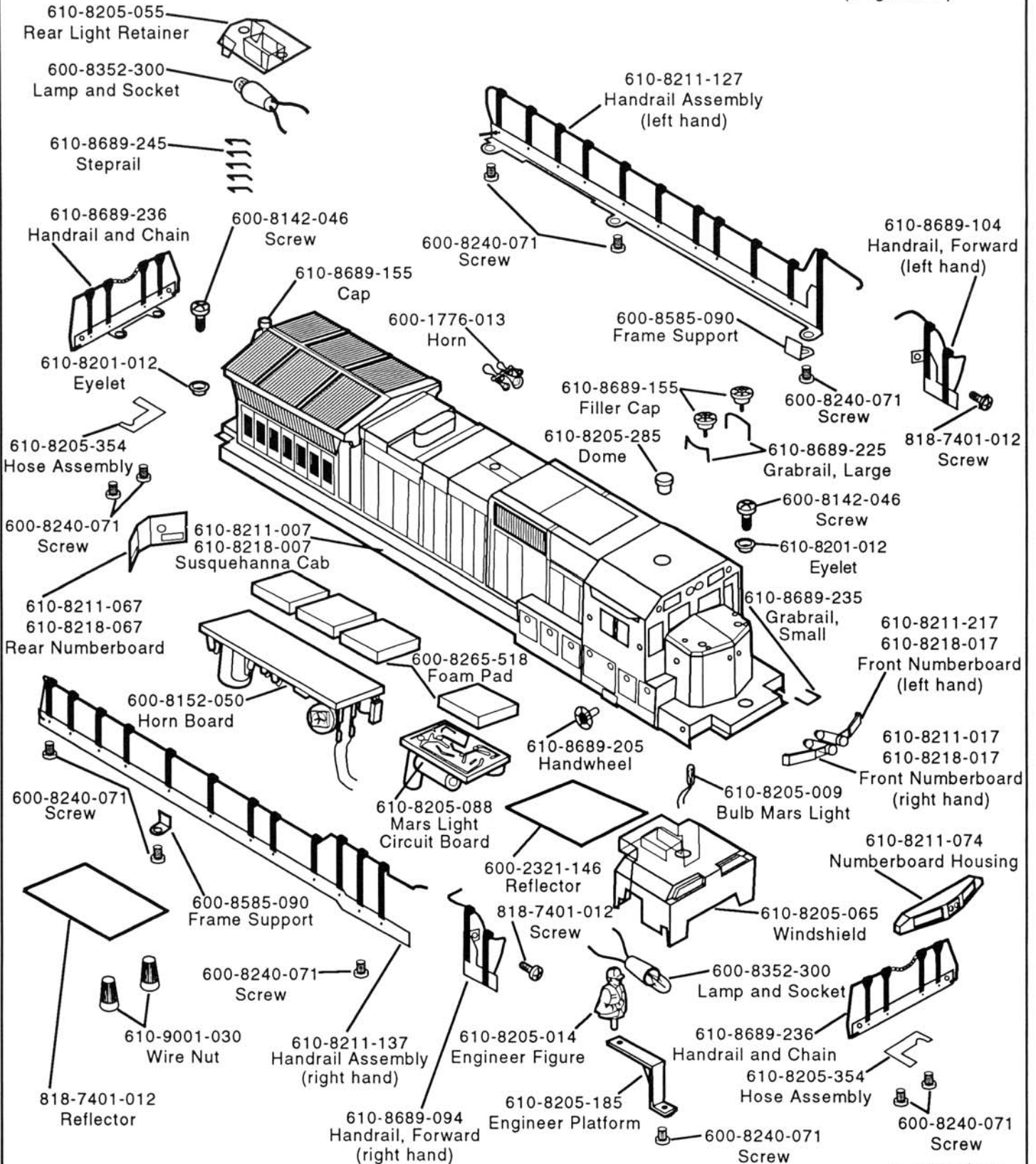
BY LIONEL SERVICE

Supplement 26

Description	Drawing
Diesel Locomotives:	
Dash 8-40B	(B-52), (B-52-2), (B-52-3)
1-8211 1-8218	
SD-40	(B-51), (B-51-2)
1-8210 1-8217	
Tenders:	
Steam with RailSounds	(C-43), (C-43-2), (C-43-3)
601-6655-000 691-6655-T90	
Steam with Air Whistle	(C-44)
601-6673-000 691-8632-T01 691-8633-T01	
Operating Cars:	
TV Flatcar	(F-106)
6-16670	
Passenger Cars:	
Observation	(F-114)
601-9120-000	
Passenger	(F-112)
601-9118-000	
Vista Dome	(F-113)
601-9119-000	
Accessories:	
Rotary Beacon Tower	(I-48)
6-12831 6-12720	
Large Scale:	
Thomas the Tank Steam Locomotive	(M-14), (M-14-2)
818-5120-001	
Passenger Cars:	
Annie and Clarabel	(M-15)
818-6006-001 818-6007-001	

1-8211, 1-8218 SUSQUEHANNA DASH 8-40B Diesel Locomotive

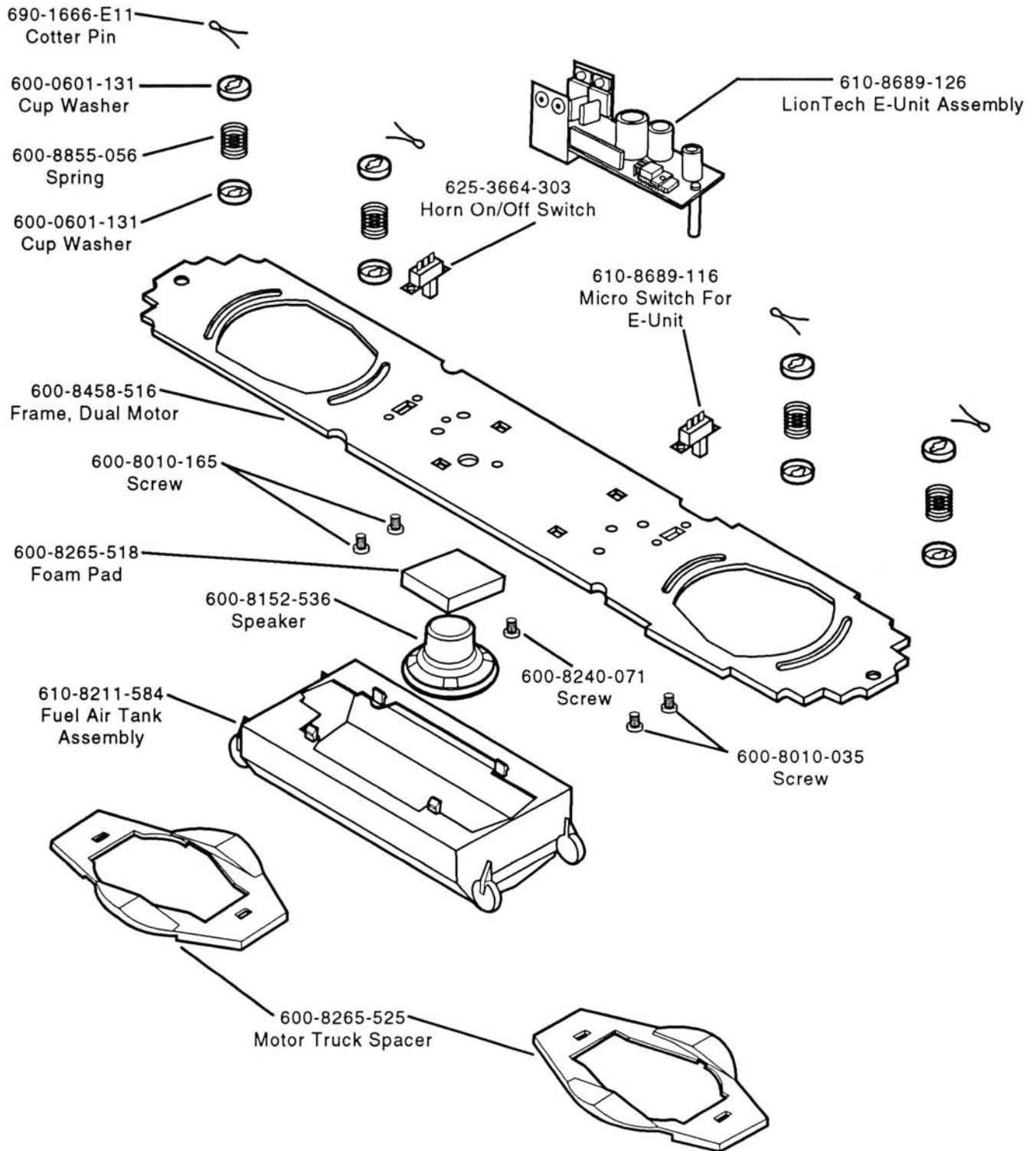
(Page 1 of 3)



LIONEL

1-8211, 1-8218 SUSQUEHANNA DASH 8-40B Diesel Locomotive

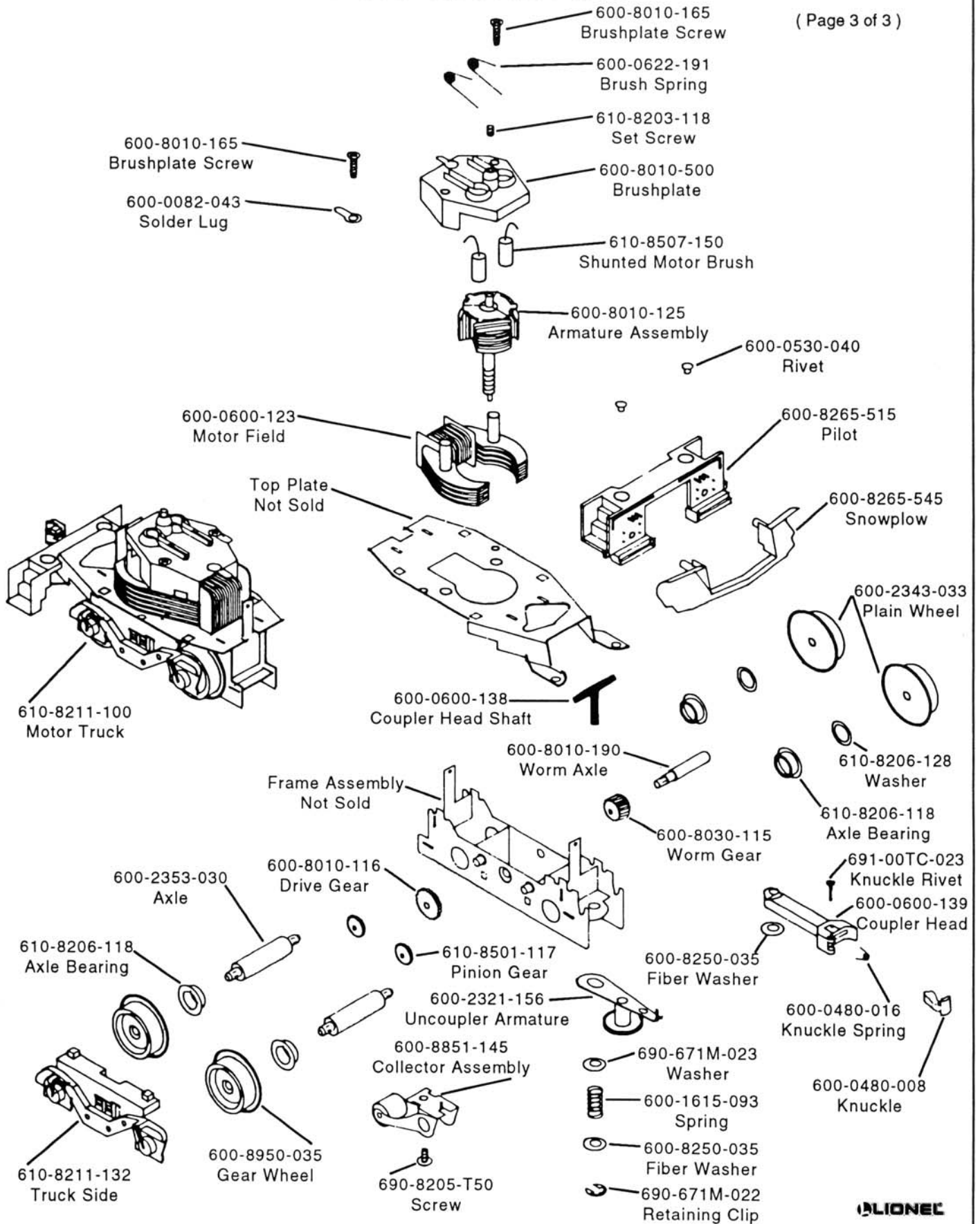
(Page 2 of 3)



LIONEL

1-8211, 1-8218 SUSQUEHANNA DASH 8-40B Diesel Locomotive

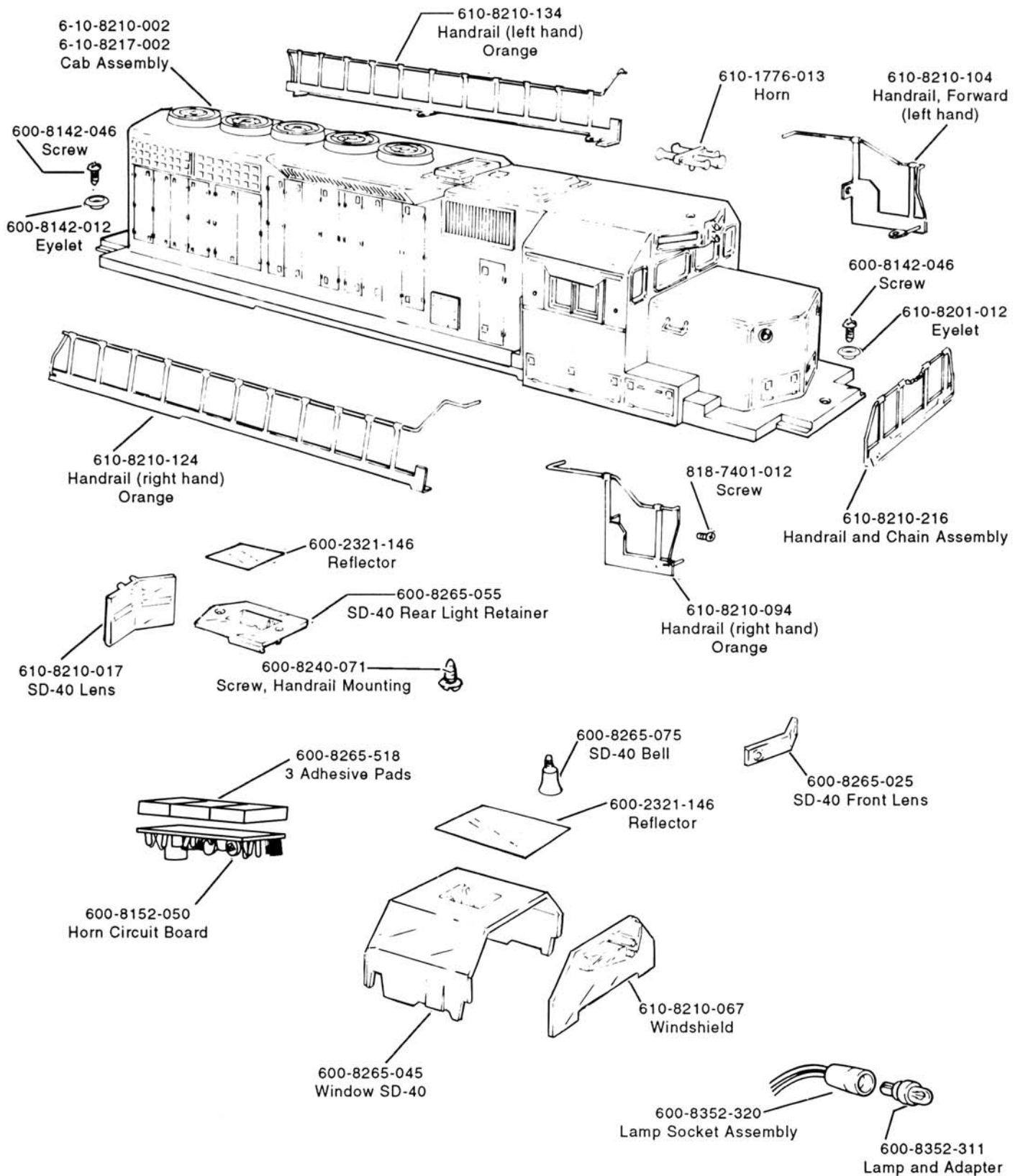
(Page 3 of 3)



LIONEL

1-8210, 1-8217 ILLINOIS CENTRAL SD-40 DUAL-MOTOR DIESEL LOCOMOTIVES

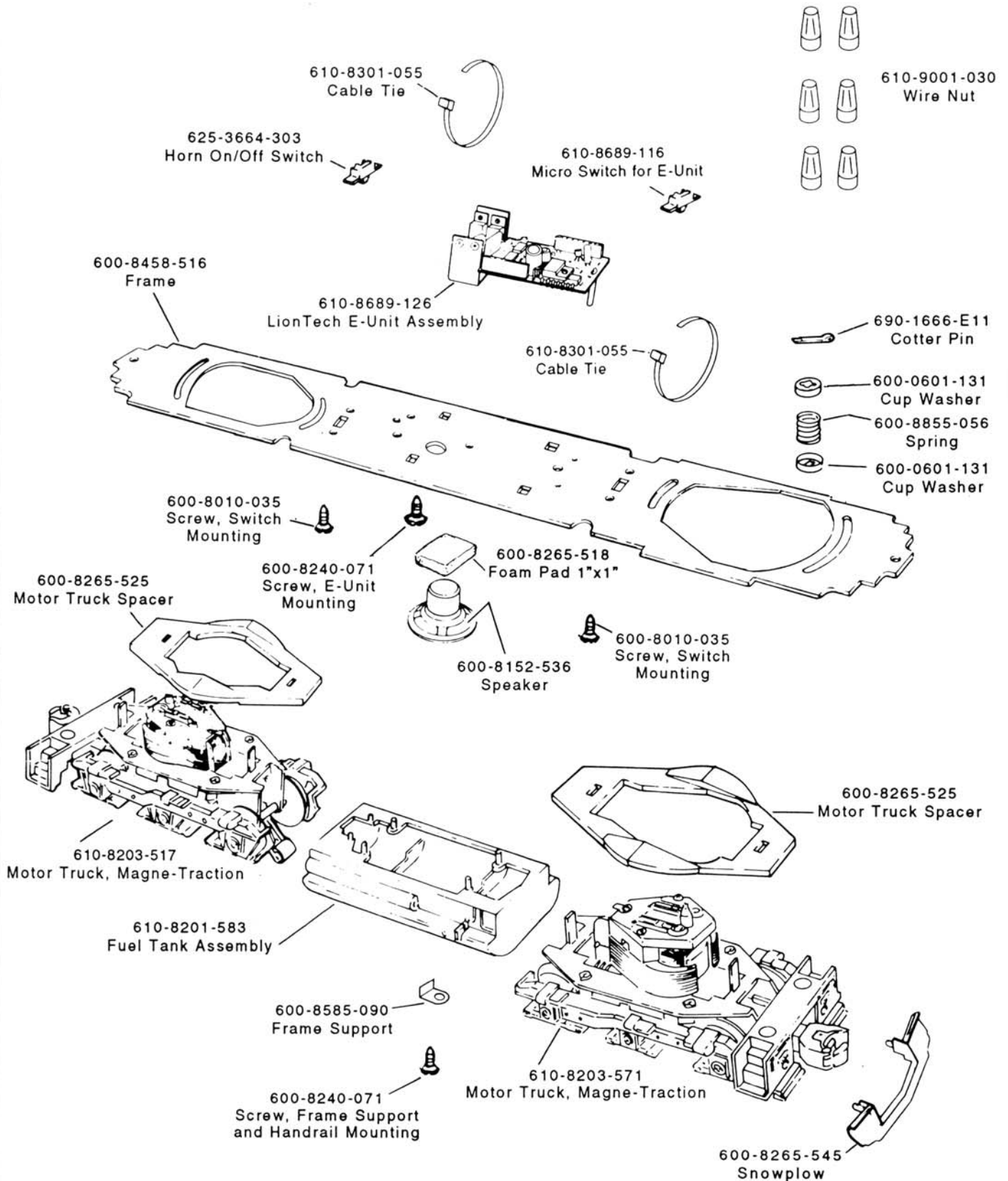
(Page 1 of 2)



LIONEL

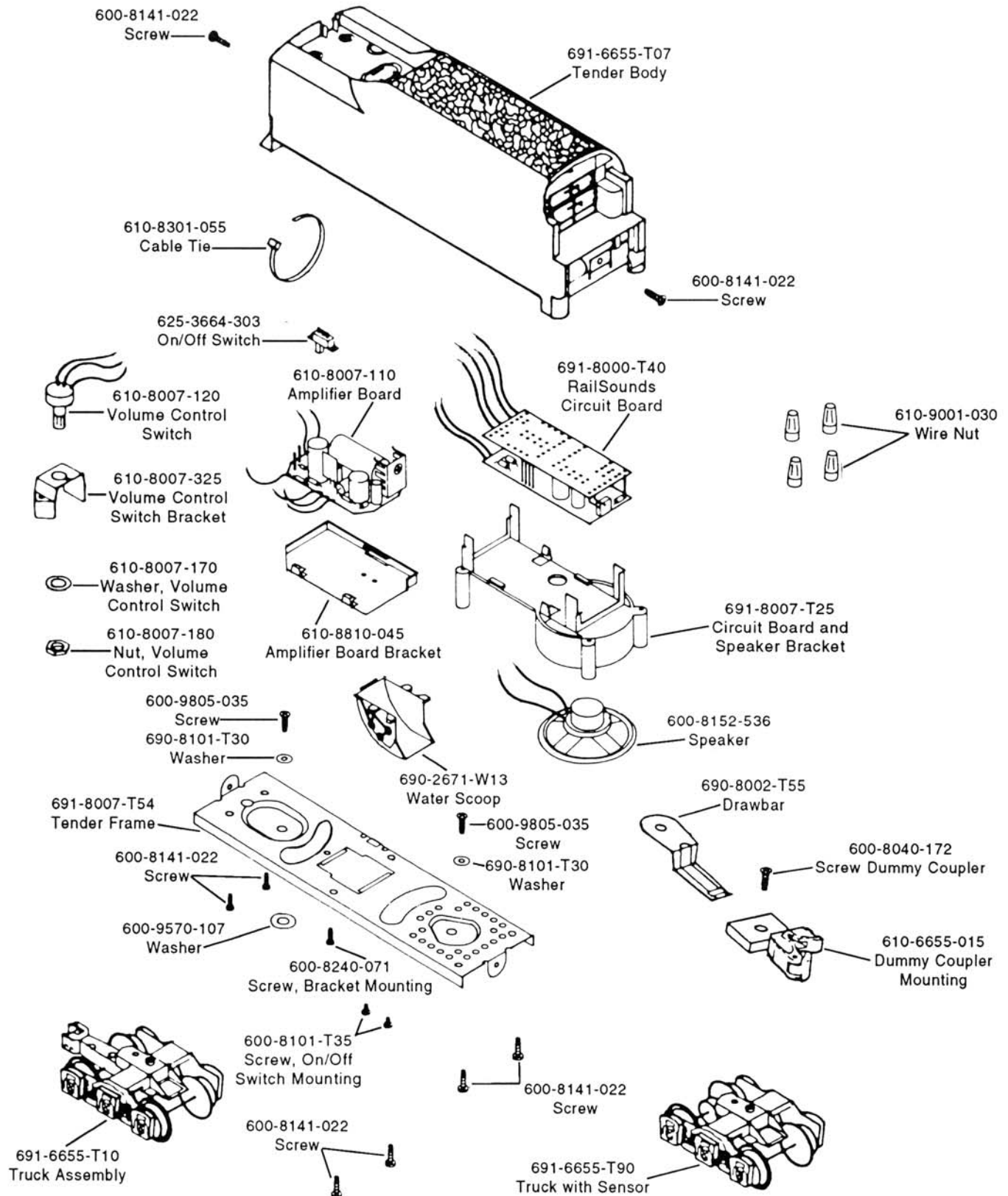
1-8210, 1-8217 ILLINOIS CENTRAL SD-40 DUAL-MOTOR DIESEL LOCOMOTIVES

(Page 2 of 2)



LIONEL

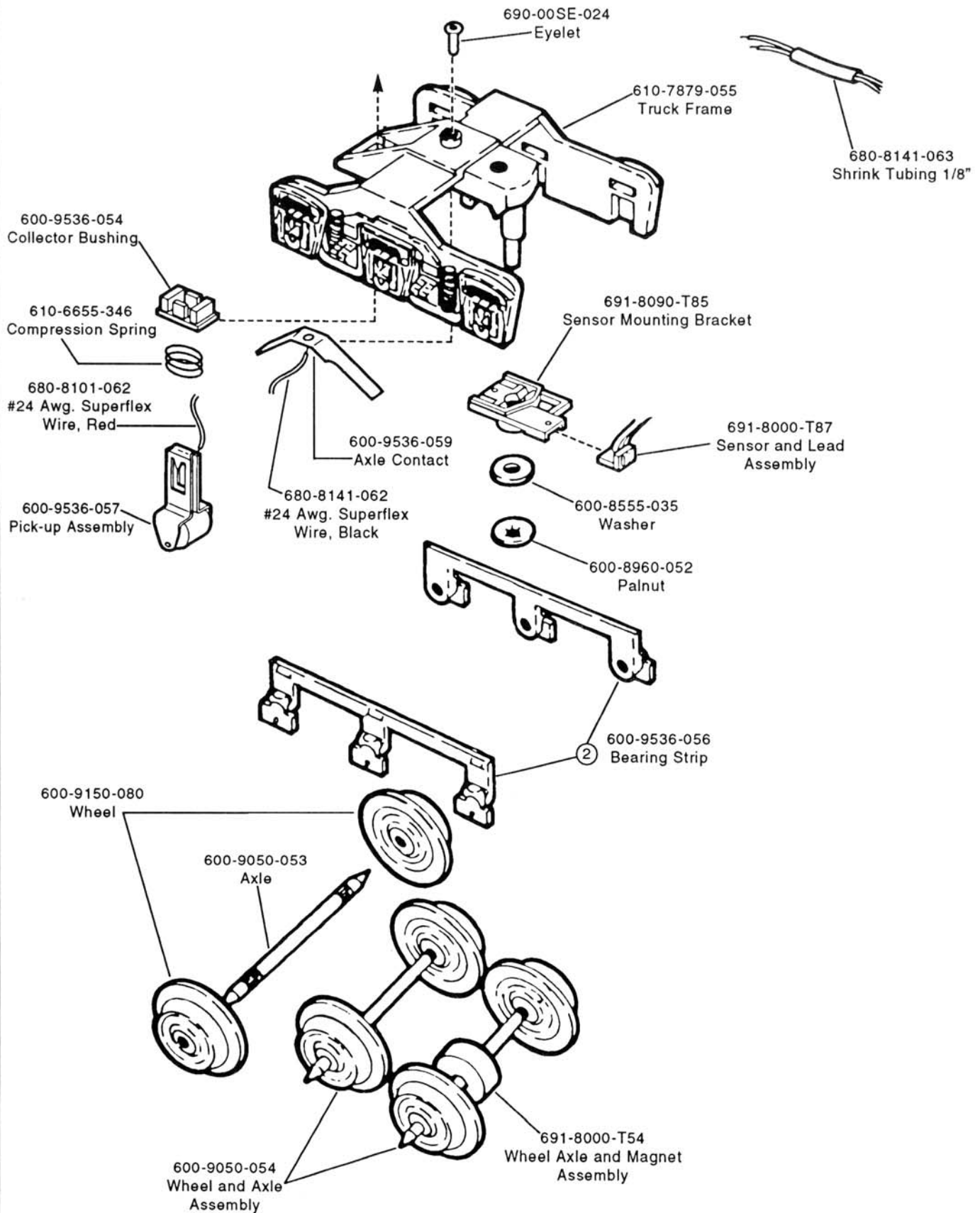
601-6655-000 STEAM RAILSOUNDS TENDER



LIONEL

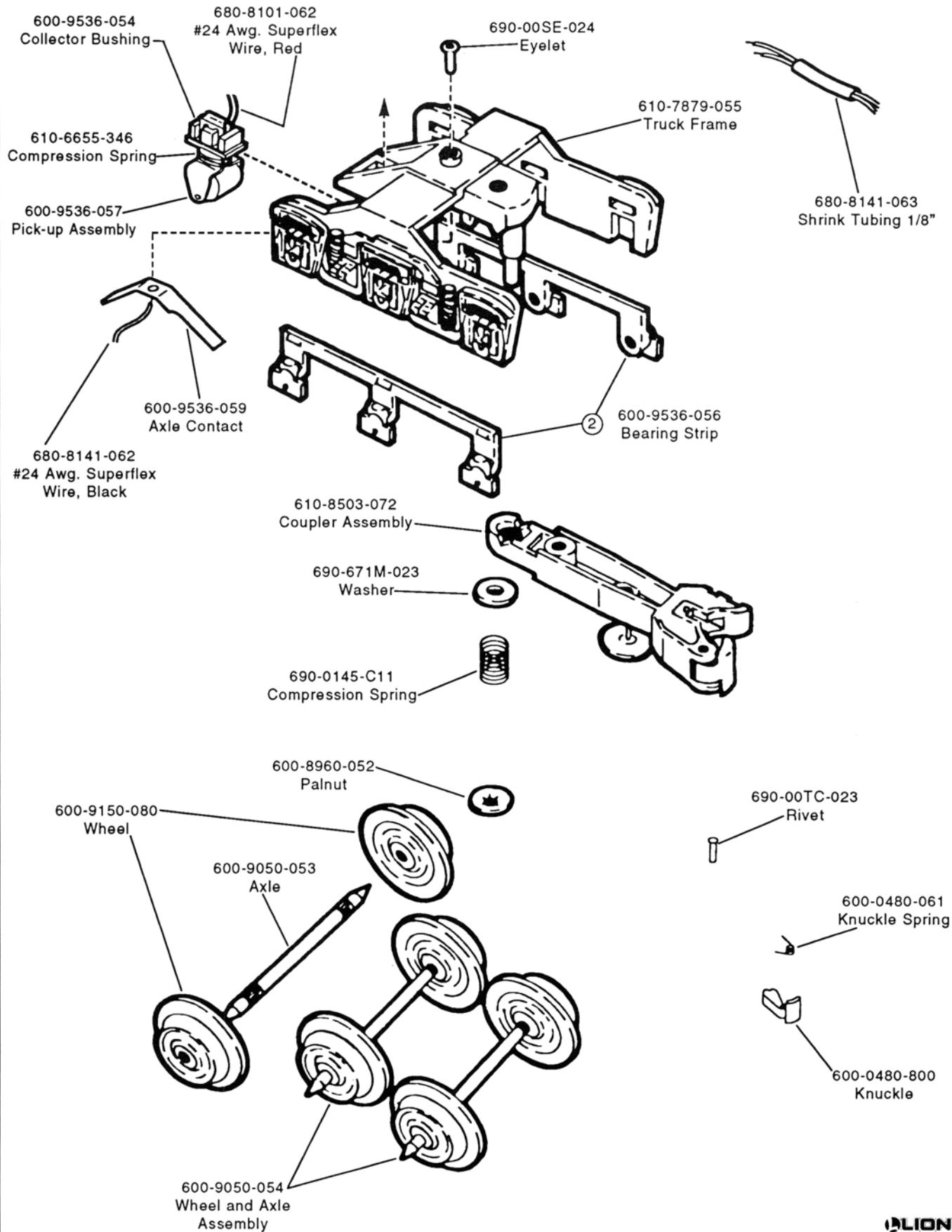
691-6655-T90 SIX-WHEEL TRUCK WITH SENSOR AND PICK-UP

(Page 2 of 3)

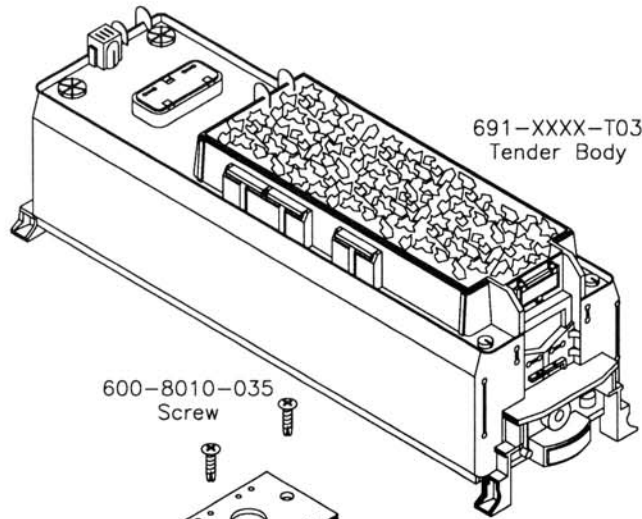


LIONEL

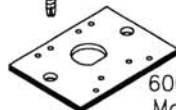
691-6655-T10 SIX-WHEEL TRUCK ASSEMBLY WITH PICK-UP



STEAM TENDER WITH AIR WHISTLE
 601-6673-000 Lionel Lines
 691-8632-T01 New York Central
 691-8633-T01 Union Pacific



600-8010-035
Screw



600-8701-104
Screw

600-2126-050
Motor

600-8142-500
Hex Nut

600-2126-052
Motor Mounting Plate

610-9001-030
Wire Nut

600-0197-023
Grommet

610-2126-051
Motor Impeller



610-8633-010
Circuit Board Assembly

600-8265-518
Foam Pad

691-8632-T10
Tender Frame

610-2737-100
Whistle Body Assembly

600-0566-016
Rivet

610-9150-050
Coupler Truck

600-9050-150
Pickup Assembly

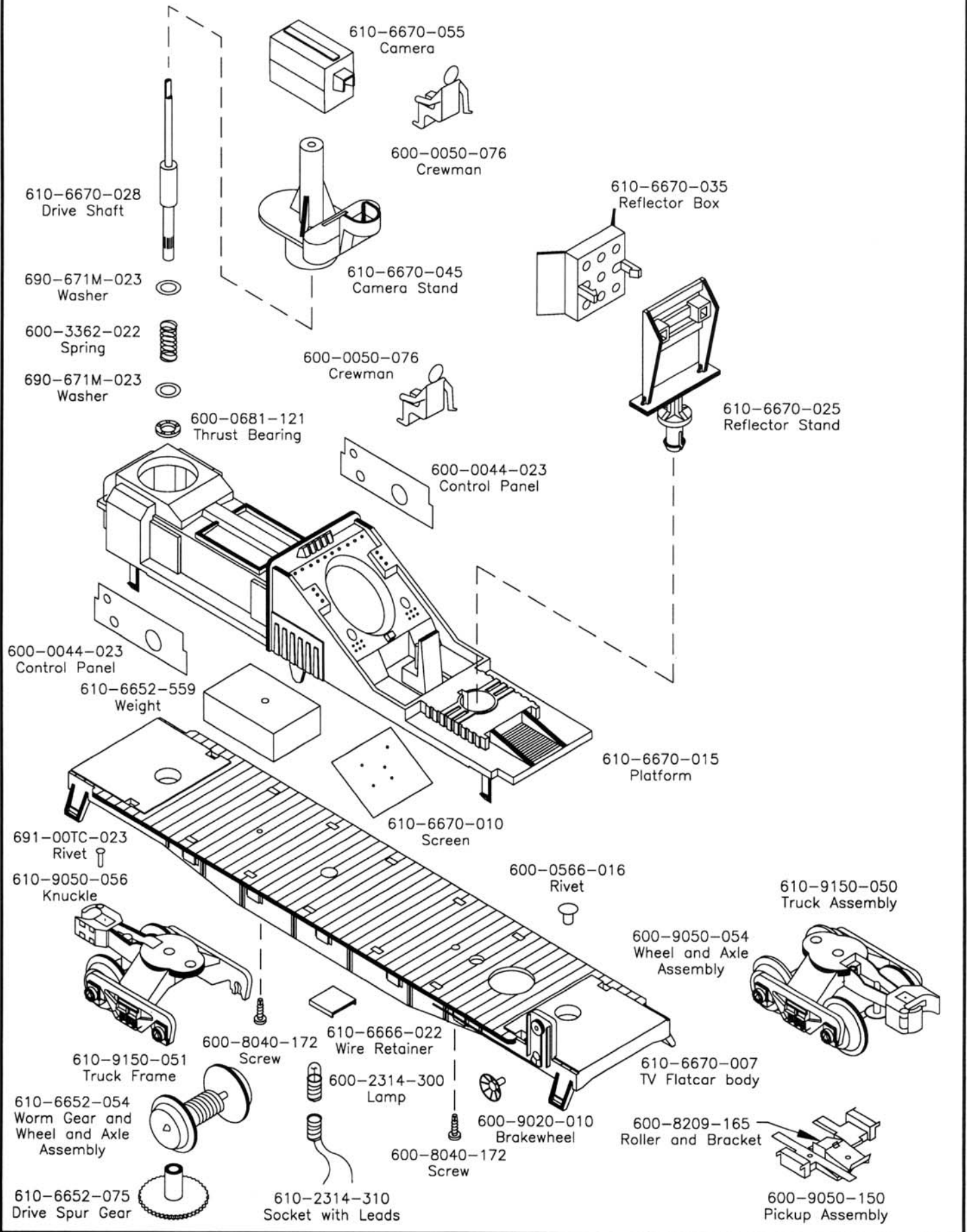
610-2737-006
Screw

610-9174-051
Truck Frame Plain

600-6026-007
Drawbar

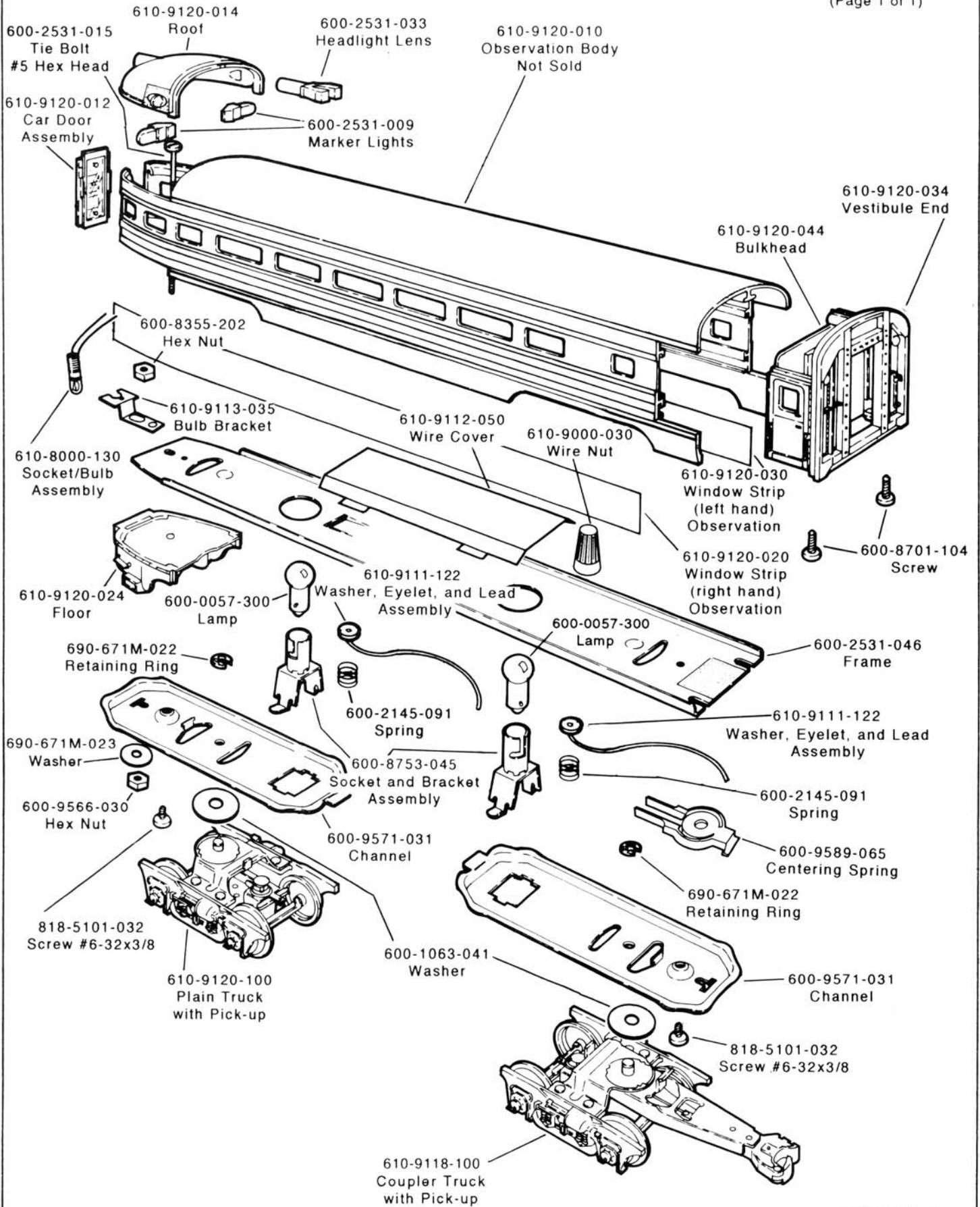
600-9050-054
Wheel and Axle Assembly

6-16670 LIONEL TV CAR



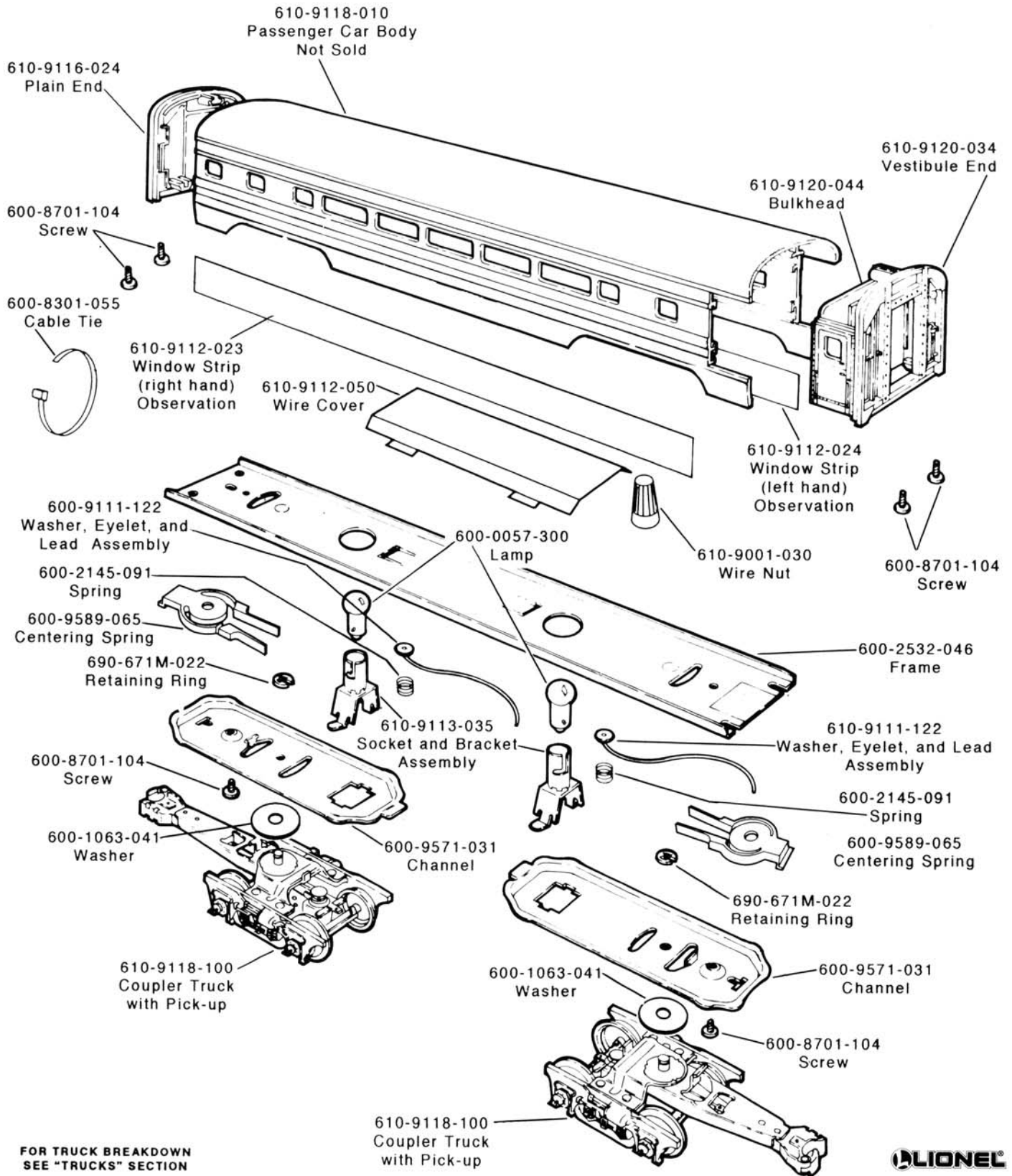
601-9120-000 G N ALUMINUM OBSERVATION CAR (SMOOTH SIDE)

(Page 1 of 1)



LIONEL

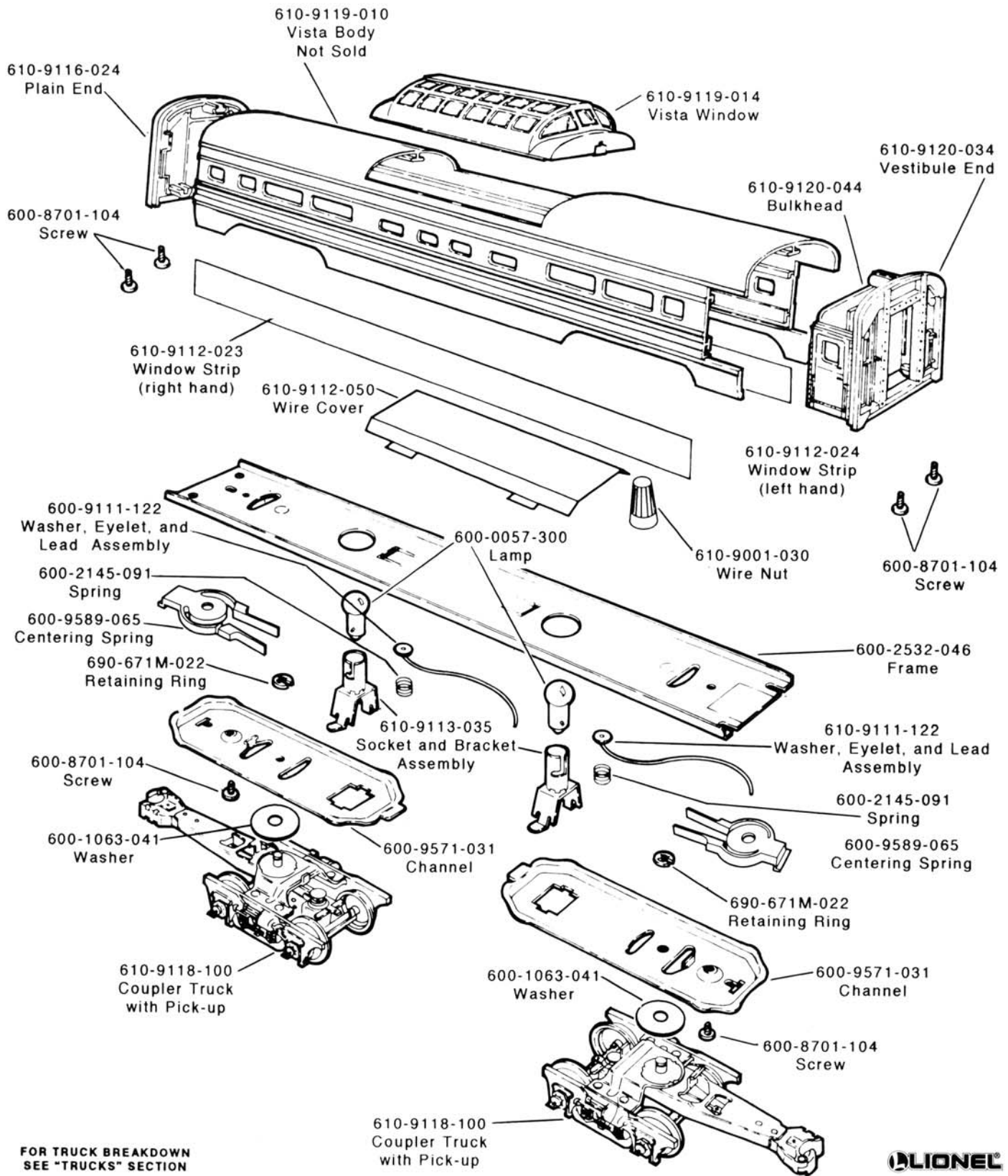
601-9118-000 G N ALUMINUM PASSENGER CAR (SMOOTH SIDE)



FOR TRUCK BREAKDOWN
SEE "TRUCKS" SECTION

LIONEL

601-9119-000 G N ALUMINUM VISTA DOME CAR (SMOOTH SIDE)



FOR TRUCK BREAKDOWN
SEE "TRUCKS" SECTION

LIONEL

6-12831 ROTARY BEACON TOWER

6-12720 ROTARY BEACON TOWER

600-2494-017
Lantern Assembly
Includes Driving Washer



600-2494-050
Driving Washer



600-2494-101
Coil Shield



600-0363-300
Lamp



610-2720-038
Washer Eyelet and
Lead Assembly



600-0151-038
Washer and Eyelet Only

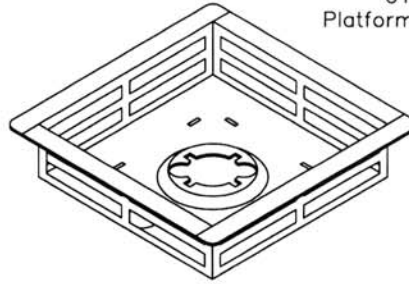
600-2145-091
Lamp Spring



610-2720-220
Platform Magnet Assembly
Red

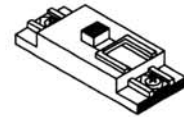
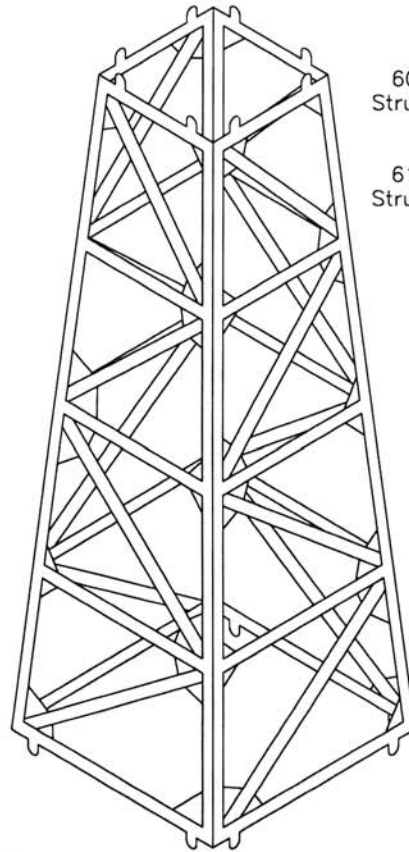


610-2831-220
Platform Magnet Assembly
Silver



600-0494-005
Structure Assembly
Red

610-2831-005
Structure Assembly
Silver

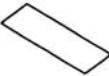


600-5903-001
Slide Switch

600-0395-033
Ladder



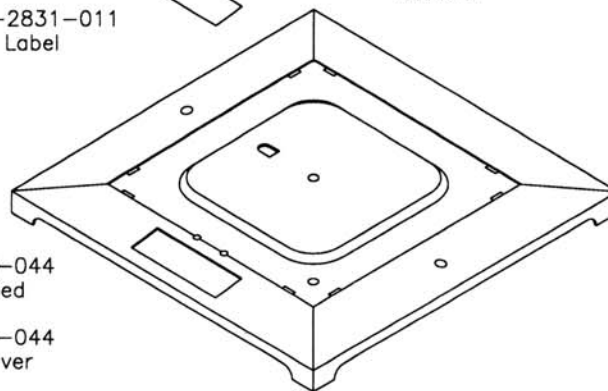
610-2720-011
Label



610-2720-130
Fastener



610-2831-011
Label



600-0395-044
Base, Red

610-2831-044
Base, Silver

600-0256-030
Terminal Clip and Lug



600-0359-029
Clip Insulation



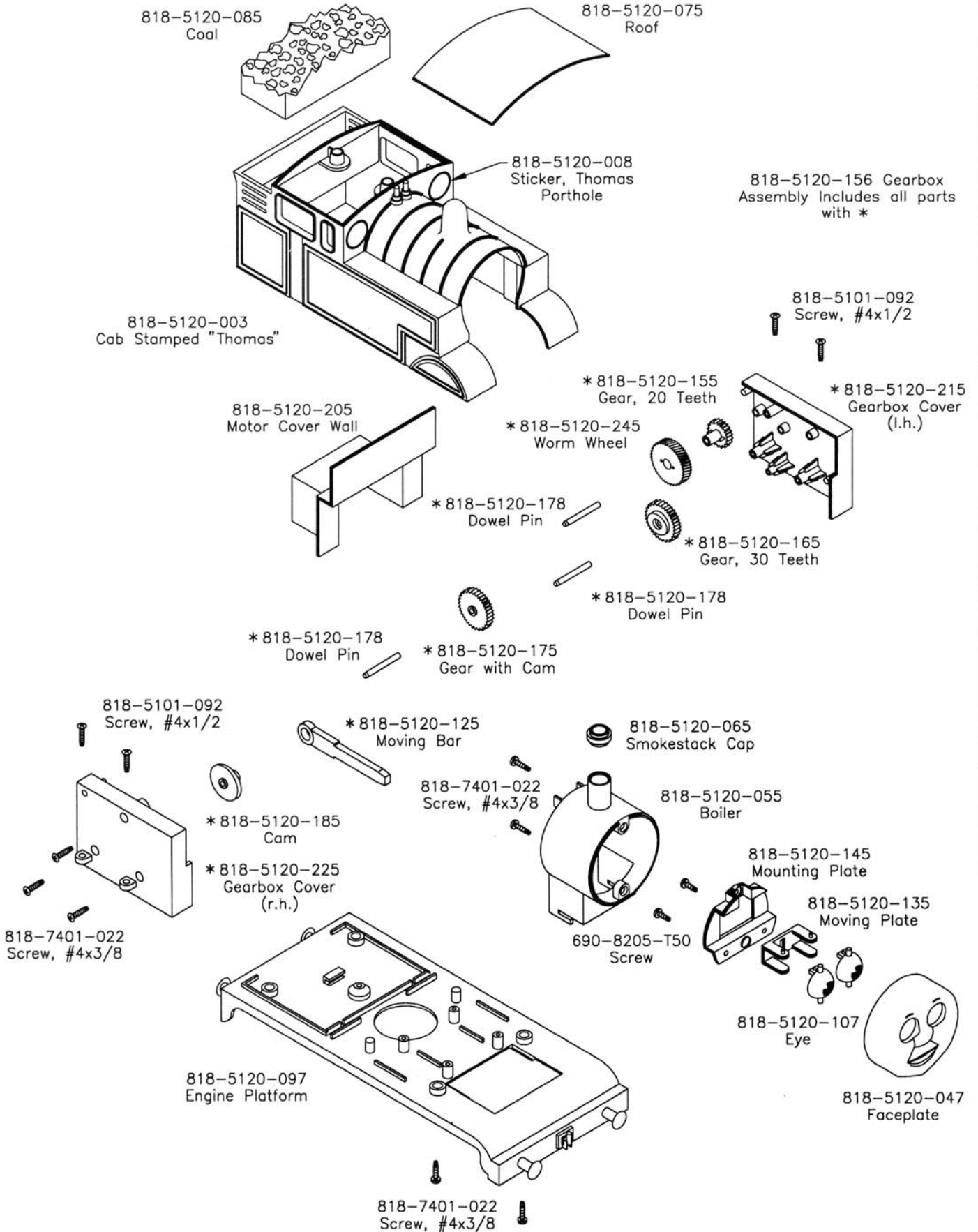
600-0256-030
Terminal Clip and Lug



LARGE SCALE STEAM LOCOMOTIVE

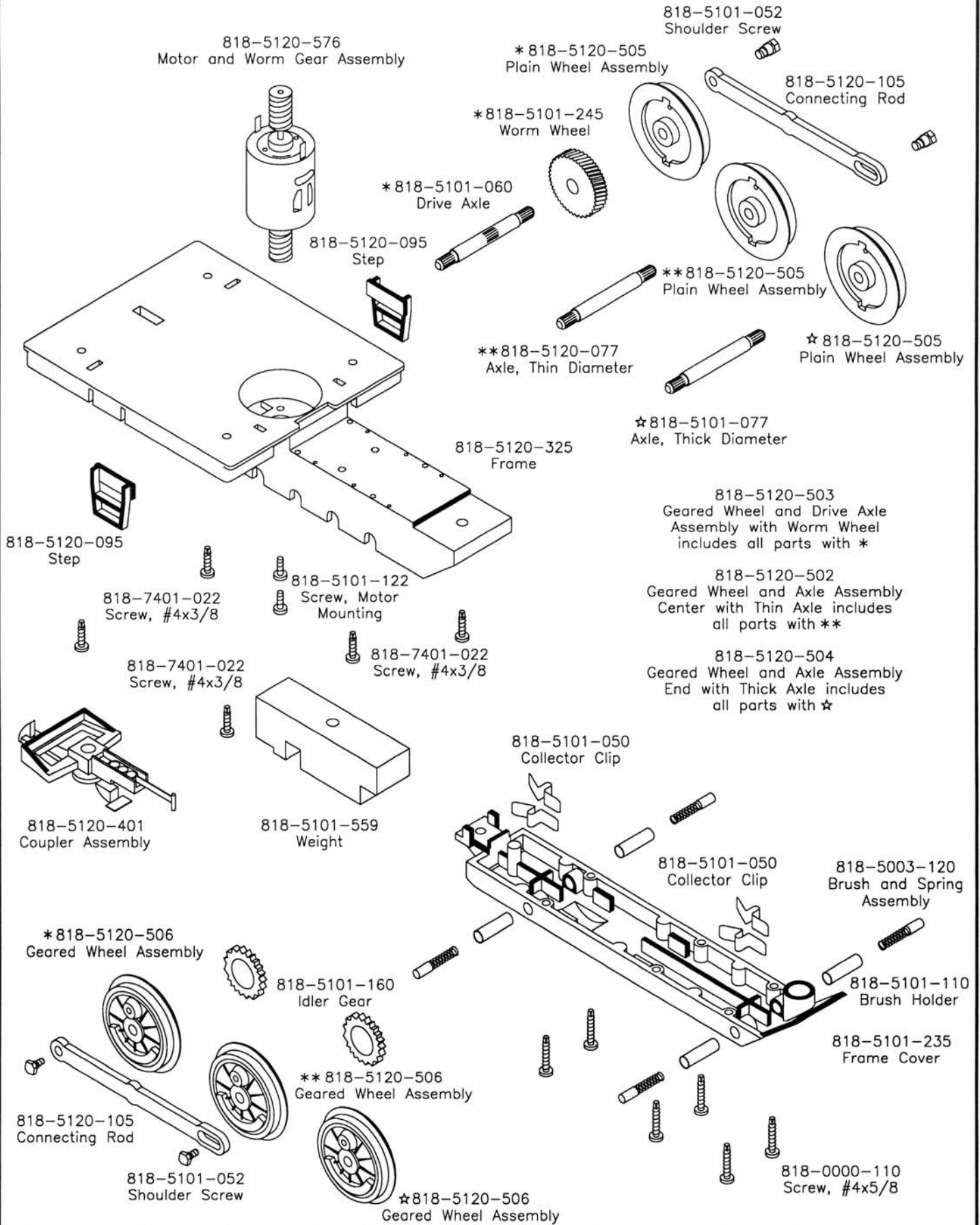
818-5120-001 Thomas the Tank

(Page 1 of 2)



LARGE SCALE STEAM LOCOMOTIVE

818-5120-001 Thomas the Tank



LARGE SCALE PASSENGER CAR

818-6006-001 Annie

818-6007-001 Clarabel

818-6007-015
Roof

818-6006-007
Passenger Car Body
Annie

818-6007-007
Passenger Car Body
Clarabel

818-6006-015
Passenger Car Frame

818-6006-015
Passenger Car Frame

818-0000-107
Screw, #4x3/8

818-6006-300
Passenger Truck
Frame

818-6006-300
Passenger Truck
Frame

818-0000-107
Screw, #4x3/8

*818-7704-315
Wheel

818-7704-302
Wheel and Axle Assembly
Includes parts with *

*818-7401-320
Axle

818-5120-401
Coupler

818-5120-405
Coupler

*818-7704-315
Wheel

818-0000-301
Washer

818-0000-107
Screw, #4x3/8

818-0000-301
Washer

818-0000-107
Screw, #4x3/8

818-0000-701
Screw, #2x1/4

818-0000-701
Screw, #2x1/4