



PARTS LIST AND EXPLODED DIAGRAMS

SUPPLEMENT 27

Produced by
Lionel® Trains, Inc.
50625 Richard W. Boulevard
Chesterfield, MI 48051-2493

This supplement is designed to fit with two different publications, the *Lionel Service Manual 1977 to 1986* and *Lionel Parts List and Exploded Diagrams*.

Each page has two numbers. The number for the *Lionel Service Manual* is indicated by parentheses, e.g., (A-56). The number which applies to *Lionel Parts Lists and Exploded Diagrams* is above the parentheses, e.g., S27:3-1

Copyright© 1994
By Lionel Trains, Inc.
All Rights Reserved

**INDEX TO
LIONEL PARTS LISTS AND EXPLODED DIAGRAMS
SUPPLEMENT 27**

Alphabetical Index By Supplement No.

**O And 027 Gauges
Locomotives**

Diesel Engines

Alco FA-2 S27: 1-7, 8
601-8915-000 W.M.
601-8922-000 N.H.
610-8908-001 N.Y.C.
610-8913-001 Santa Fe

Dash 8-40B Wiring
Schematic S27: 1-9
601-8211-000 Susquehanna

NW-2 Switcher S27: 1-1,2,3,4
601-8918-000 B&M
601-8920-000 Frisco
601-8921-000 C&N.W.
610-8917-001 Soo
610-8927-001 Navy
610-8931-001 Chrysler

RS-3 S27: 1-5,6
601-8554-000 GM&O
601-8807-000 L.V. (No Horn)
601-8814-000 D&H
601-8815-000 Amtrak
601-8827-000 Christmas 1993
601-8833-000 Milwaukee Rd
601-8835-000 N.Y.C.
601-8837-000 Christmas 1994
610-8805-001 U.P. (No Horn)
610-8809-001 Susquehanna

Dummy Units

Alco FA-2 S27: 2-1,2
601-8916-000 W.M.
601-8919-0000 Santa Fe
601-8923-000 N.H.
610-8909-001 N.Y.C. (No Horn)

Steam Locomotives

Berkshire S27: 3-1,2
610-8022-001 Pere Marquette

Operating Cars

Fire Car W/Ladders S27: 11-1
601-6660-000
601-6688-000

Passenger Cars

Baggage Car S27: 12-1
601-9116-000 G.N.
Combine Car S27: 12-2
601-9117-000 G.N.

Accessories

Automatic Hwy. Flasher
Wiring Diagram S27: 14-4
12760

Oil Derrick S27: 14-1,2
601-2848-000 Lionel Lines
Oil Derrick Wiring Diagram S27: 14-3
601-2848-000 Lionel Lines

NUMERICAL LISTING BY SUPPLEMENT NUMBER

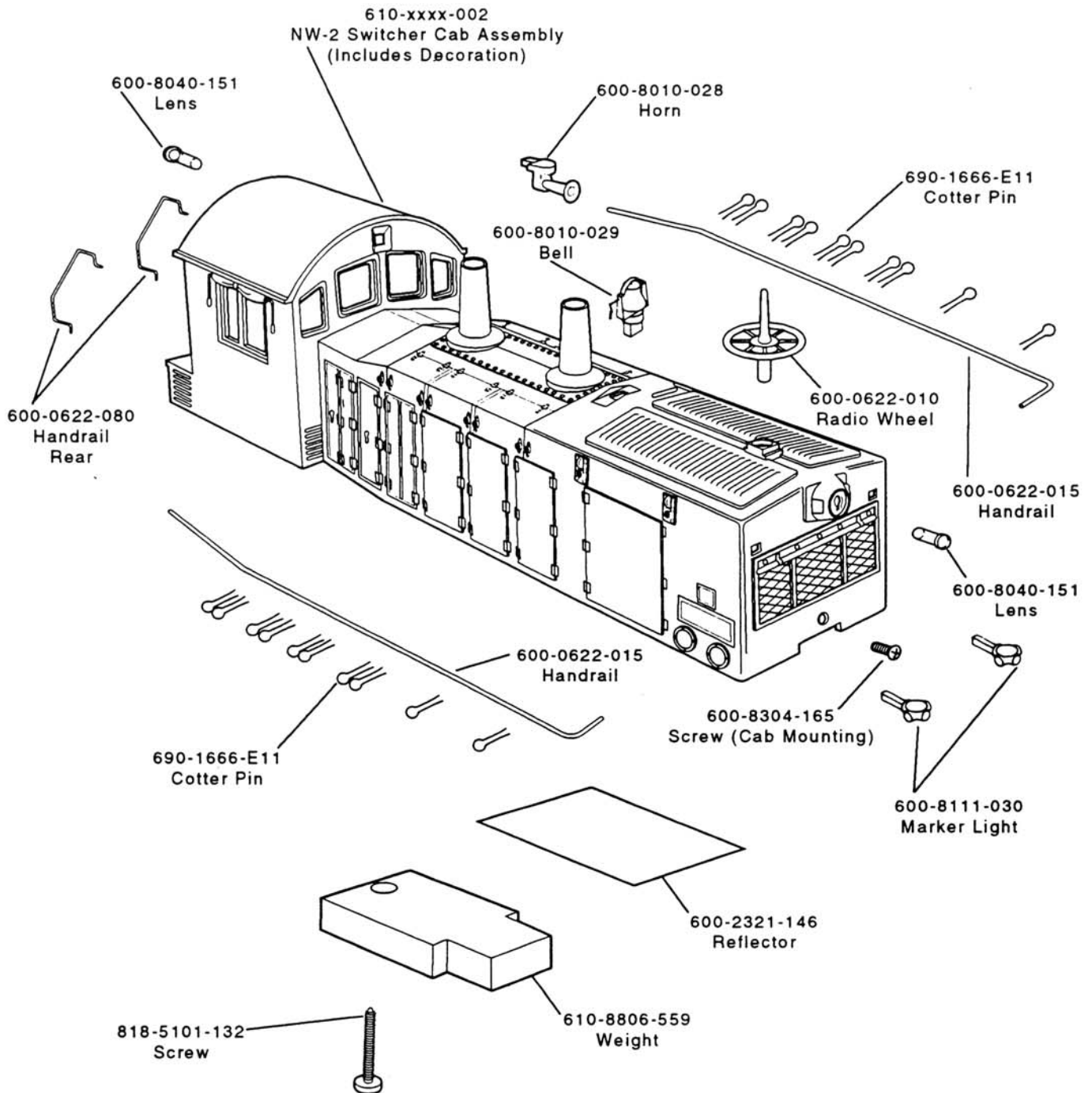
| | |
|--------------|-------------------|
| 601-2760-000 | S27: 14-4 |
| 601-2848-000 | S27: 14-1, 2, 3 |
| 601-6660-000 | S27: 11-1 |
| 601-6688-000 | S27: 11-1 |
| 601-8211-000 | S27: 1-9 |
| 601-8554-000 | S27: 1-5, 6 |
| 601-8807-000 | S27: 1-5, 6 |
| 601-8814-000 | S27: 1-5, 6 |
| 601-8815-000 | S27: 1-5, 6 |
| 601-8827-000 | S27: 1-5, 6 |
| 601-8833-000 | S27: 1-5, 6 |
| 601-8835-000 | S27: 1-5, 6 |
| 601-8837-000 | S27: 1-5, 6 |
| 601-8915-000 | S27: 1-7, 8 |
| 601-8916-000 | S27: 2-1, 2 |
| 601-8918-000 | S27: 1-1, 2, 3, 4 |
| 601-8919-000 | S27: 2-1, 2 |
| 601-8920-000 | S27: 1-1, 2, 3, 4 |
| 601-8921-000 | S27: 1-1, 2, 3, 4 |
| 601-8922-000 | S27: 1-7, 8 |
| 601-8923-000 | S27: 2-1, 2 |
| 601-9116-000 | S27: 12-1 |
| 601-9117-000 | S27: 12-2 |
| 610-8022-001 | S27: 3-1, 2 |
| 610-8805-001 | S27: 1-5, 6 |
| 610-8809-001 | S27: 1-5, 6 |
| 610-8908-001 | S27: 1-7, 8 |
| 610-8909-001 | S27: 2-1, 2 |
| 610-8913-001 | S27: 1-7, 8 |
| 610-8917-001 | S27: 1-1, 2, 3, 4 |
| 610-8927-001 | S27: 1-1, 2, 3, 4 |
| 610-8931-001 | S27: 1-1, 2, 3, 4 |

**LIONEL SERVICE MANUAL
INDEX BY LETTER
SUPPLEMENT 27**

| Description | Drawing |
|--|--------------------------------------|
| Steam Locomotives: | |
| 2-8-4 Berkshire | (A-56), (A-56-2) |
| 610-8022-001 | |
| Diesel Locomotives: | |
| Dash 8-40B | (B-52-4) |
| 601-8211-000 Schematic | |
| NW-2 Switcher | (B-53), (B-53-2), (B-53-3), (B-53-4) |
| 601-8918-000 B&M | |
| 601-8920-000 Frisco | |
| 601-8921-000 C&N.W. | |
| 610-8917-001 Soo | |
| 610-8927-001 Navy | |
| 610-8931-001 Chrysler | |
| RS-3 | (B-54), (B-54-2) |
| 601-8554-000 GM&O | |
| 601-8807-000 L.V. (No Horn) | |
| 601-8814-000 D&H | |
| 601-8815-000 Amtrak | |
| 601-8827-000 Christmas 1993 | |
| 601-8833-000 Milwaukee Road | |
| 601-8835-000 N.Y.C. | |
| 601-8837-000 Christmas 1994 | |
| 610-8805-001 U.P. (No Horn) | |
| 610-8809-001 Susquehanna | |
| FA-2 Alco Power Units | (B-55), (B-55-2) |
| 601-8915-000 W.M. | |
| 601-8922-000 N.H. | |
| 610-8908-001 N.Y.C. | |
| 610-8913-001 Santa Fe | |
| FA-2 Alco Dummy Units | (B-56), (B-56-2) |
| 601-8916-000 W.M. | |
| 601-8919-000 Santa Fe | |
| 601-8923-000 N.H. | |
| 610-8909-001 N.Y.C. (No Horn) | |
| Operating Cars: | |
| Fire Car with ladders | (F-117), (F-117-2) |
| 601-6660-000 | |
| 601-6688-000 | |
| Passenger Cars: | |
| Aluminum Baggage Car | (F-115) |
| 601-9116-000 G.N. | |
| Aluminum Combine Car | (F-116) |
| 601-9117-000 G.N. | |
| Accessories: | |
| Highway Flasher Wiring Diagram | (I-42-2) |
| 12760 | |
| Oil Derrick | (I-49), (I-49-2) |
| 601-2848-000 Lionel Lines | |
| Oil Derrick Wiring Diagram | (I-49-3) |
| 601-2848-000 Lionel Lines | |

NW-2 DIESEL SWITCHERS WITH CAN MOTOR

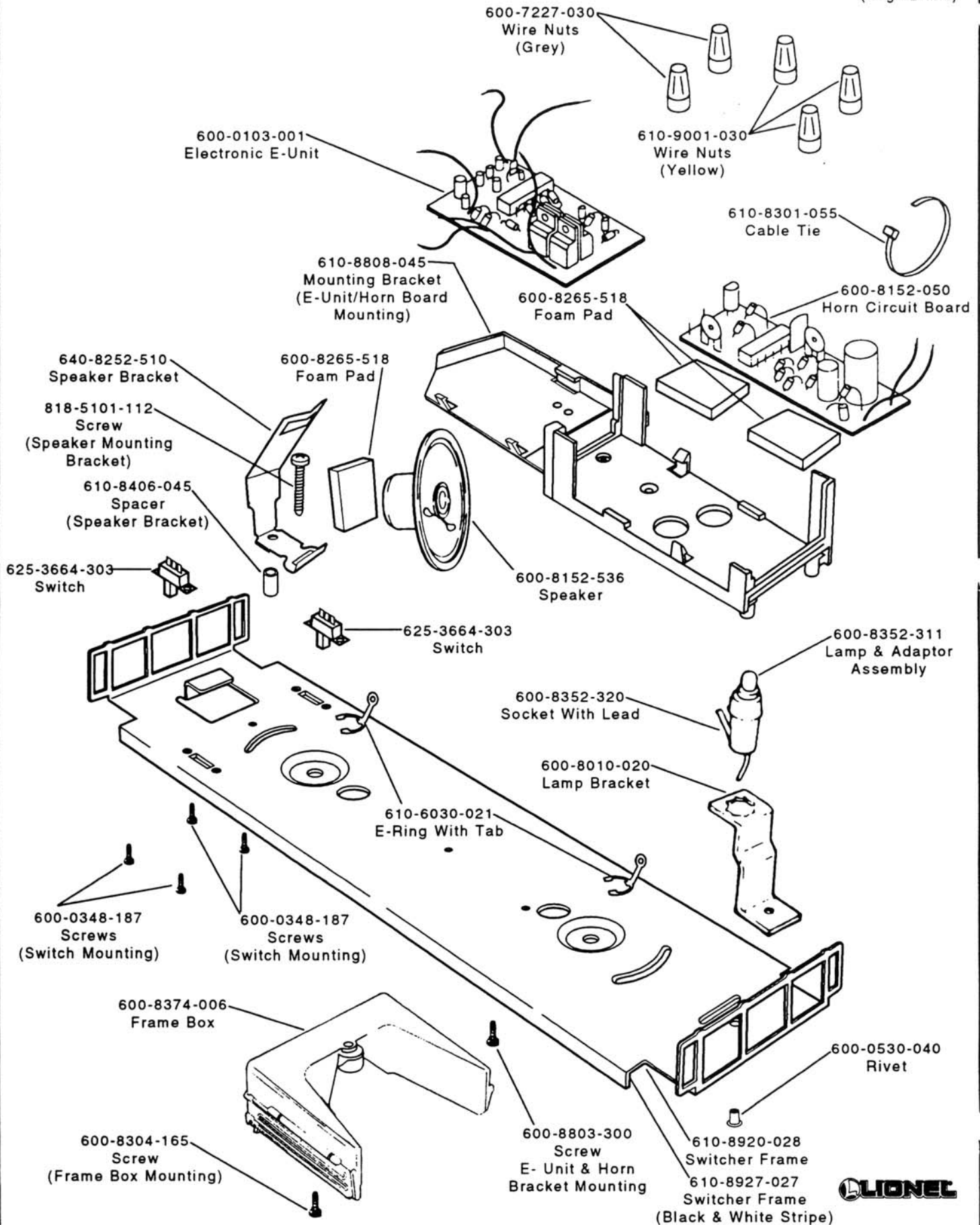
(Page 1 of 4)



LIONEL

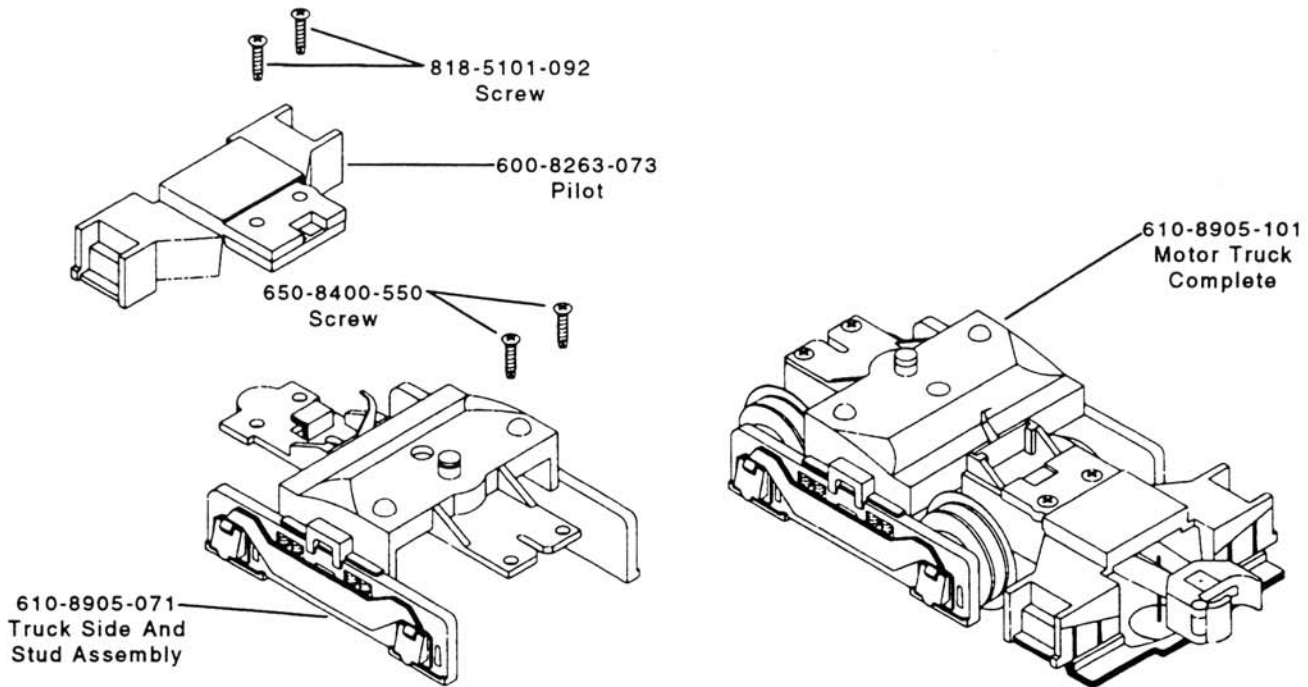
NW-2 DIESEL SWITCHERS WITH CAN MOTOR

(Page 2 of 4)

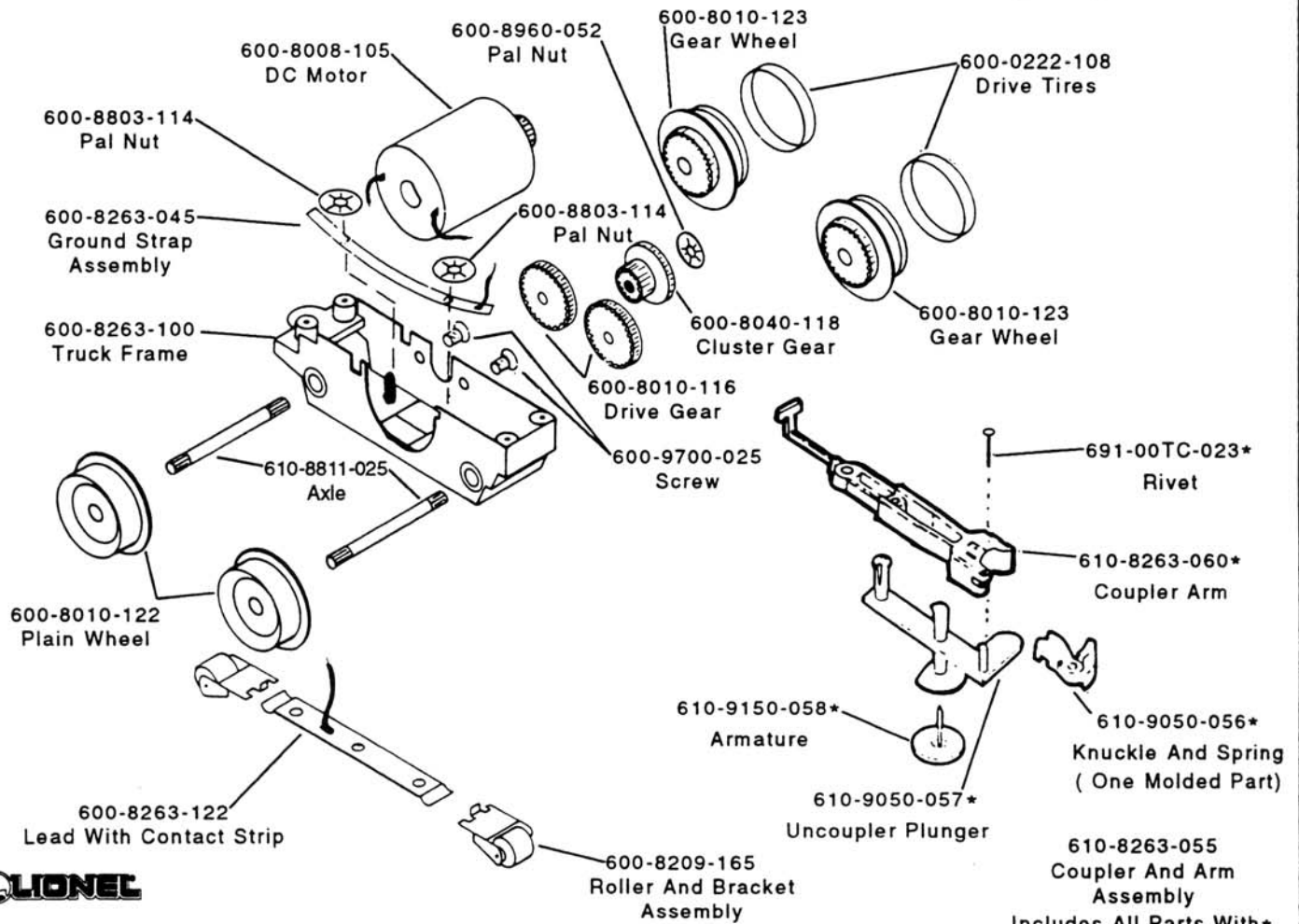


610-8905-101 Motor Truck Complete

(Page 3 of 4)

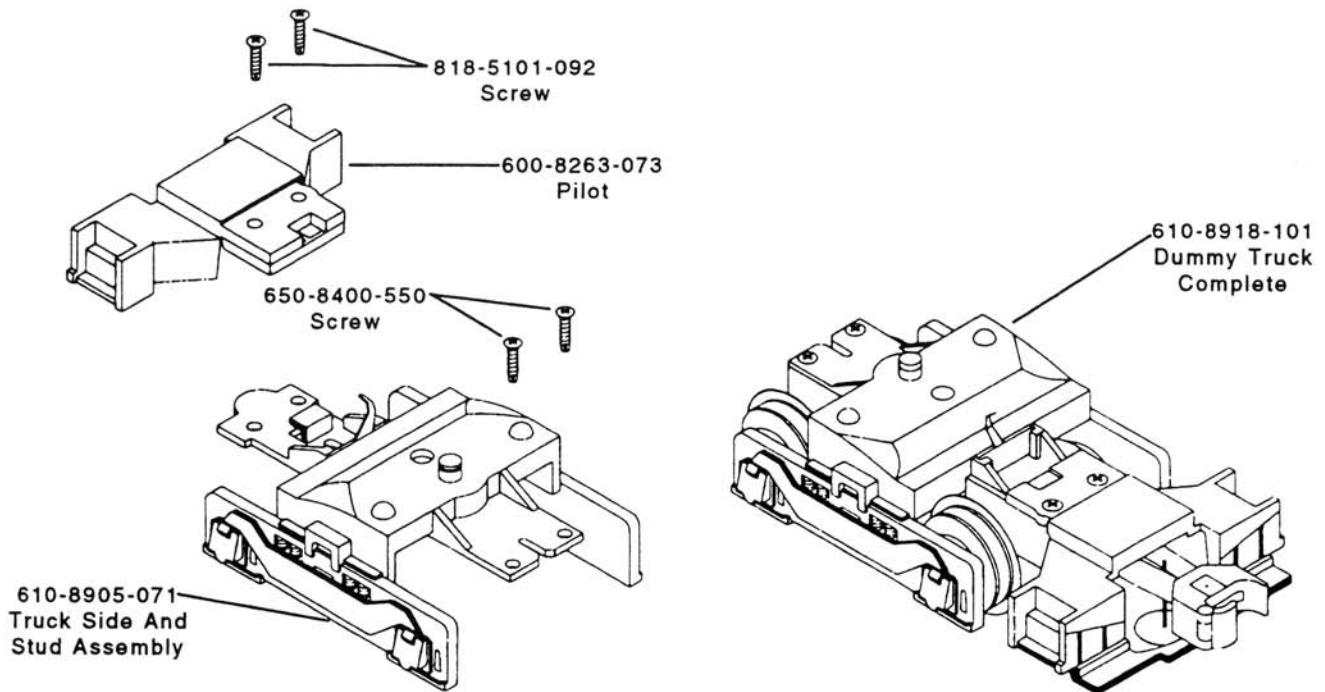


600-8369-151 Motor Truck & Wheel Assembly

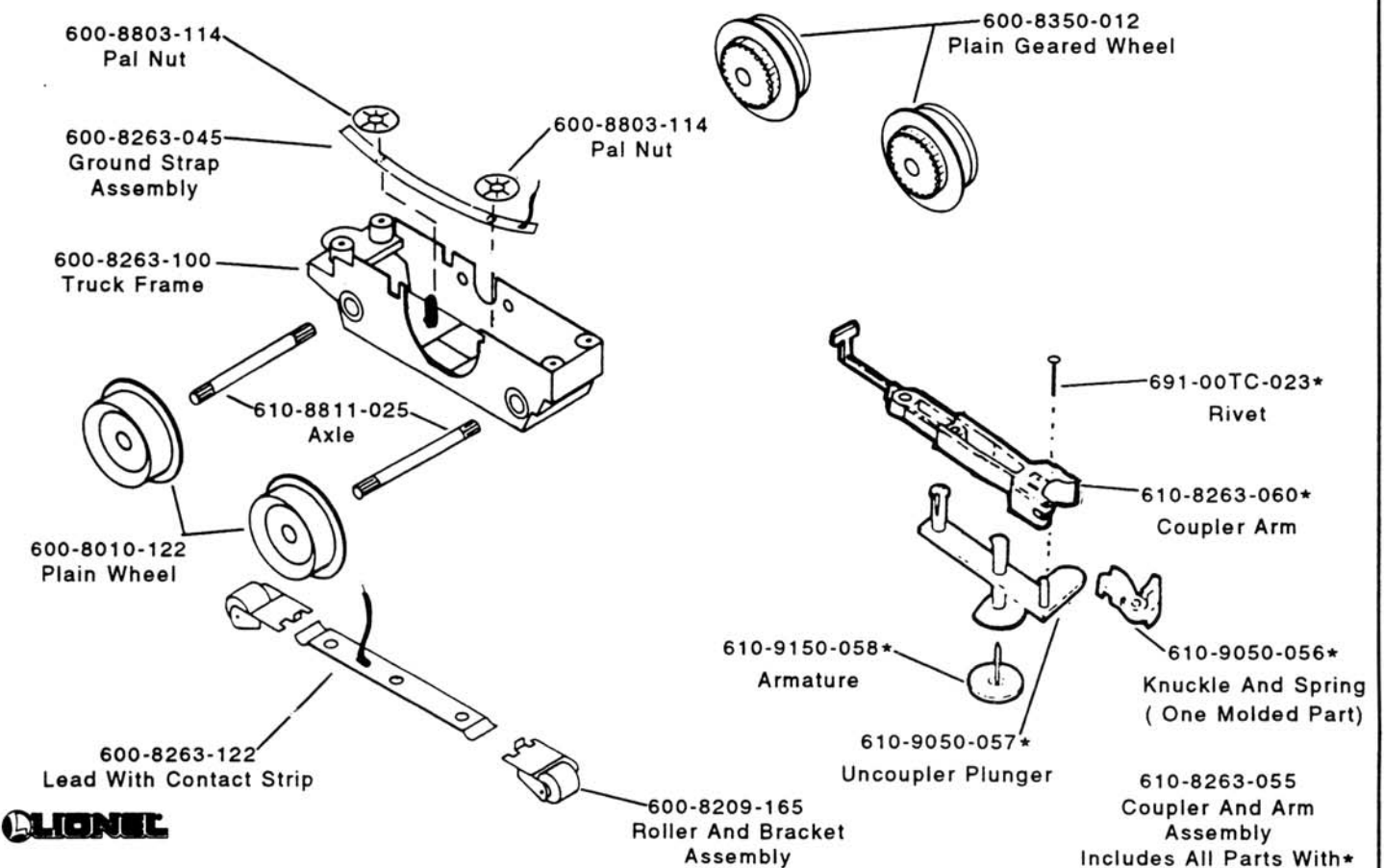


610-8918-101 Dummy Truck Complete

(Page 4 of 4)

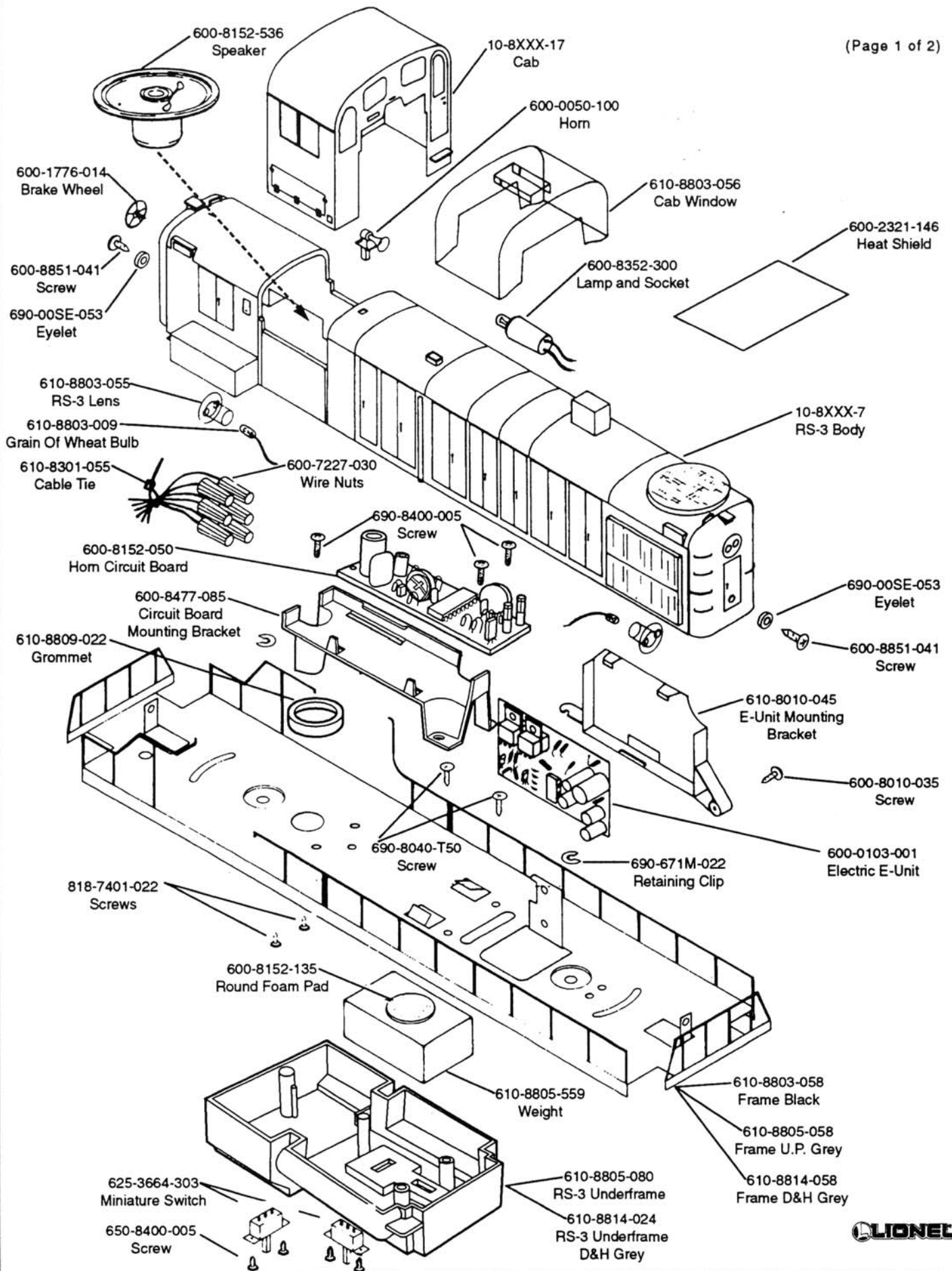


610-8918-151 Dummy Truck & Wheel Assembly



RS-3 DIESEL LOCOMOTIVE WITH HORN

(Page 1 of 2)



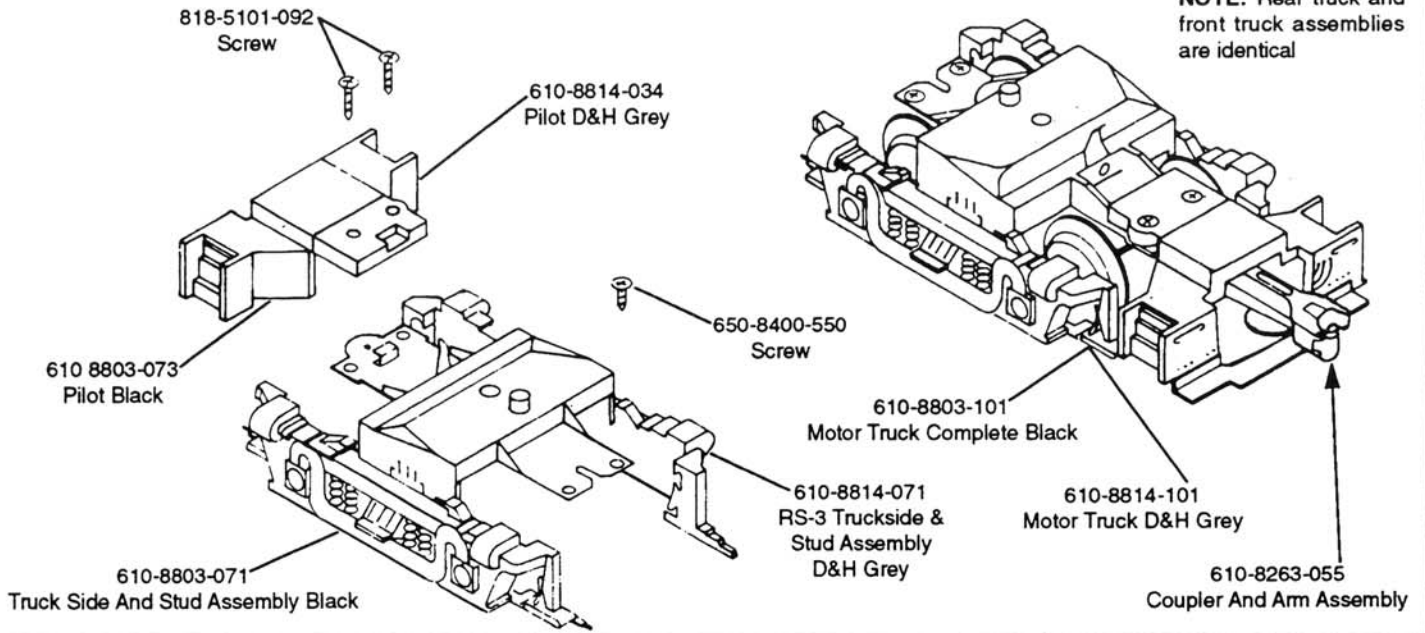
S27:1-5
(B-54)

LIONEL

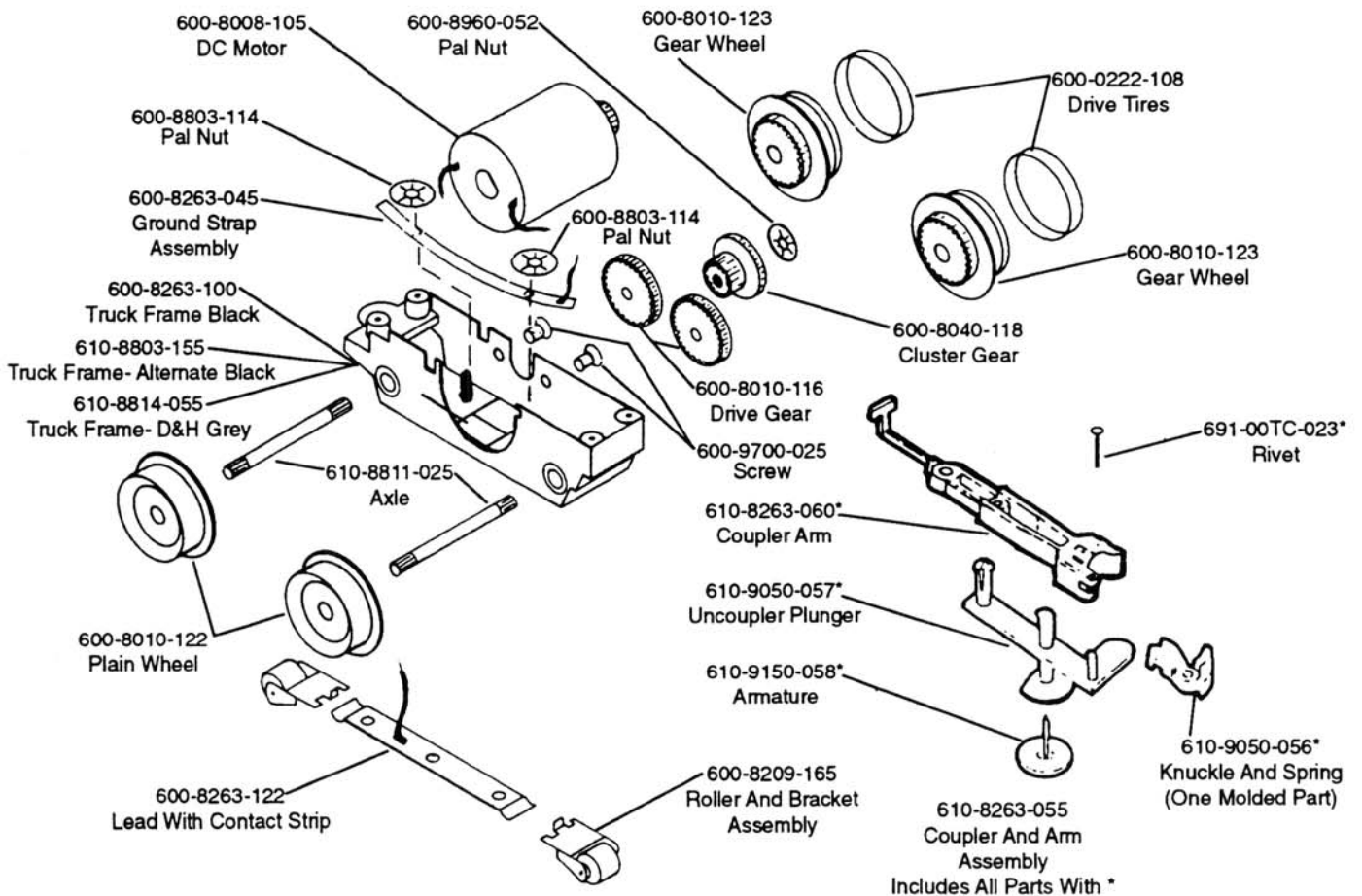
MOTOR TRUCK COMPLETE

(Page 2 of 2)

NOTE: Rear truck and front truck assemblies are identical



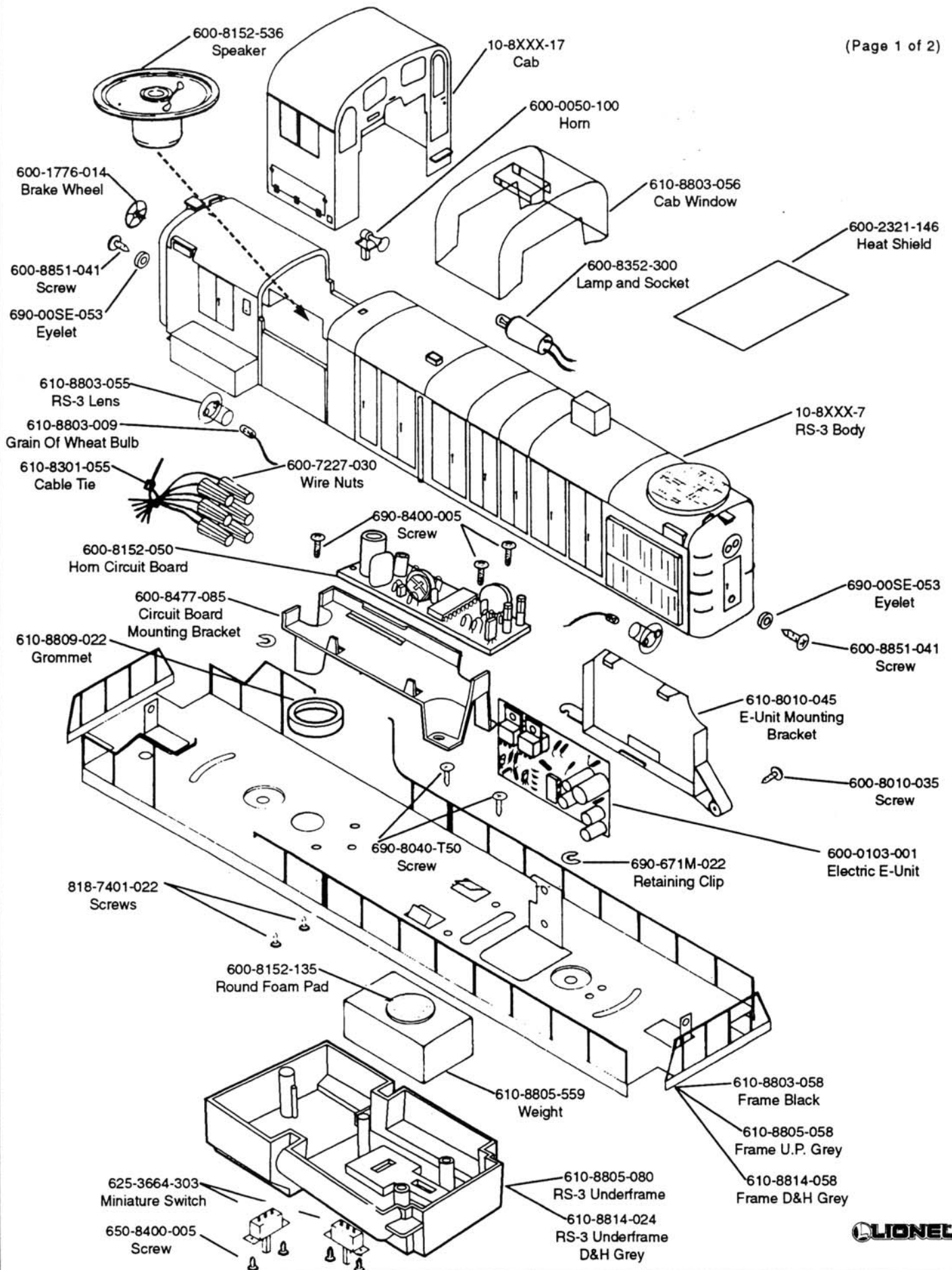
600-8369-151 MOTOR TRUCK & WHEEL ASSEMBLY



LIONEL

RS-3 DIESEL LOCOMOTIVE WITH HORN

(Page 1 of 2)



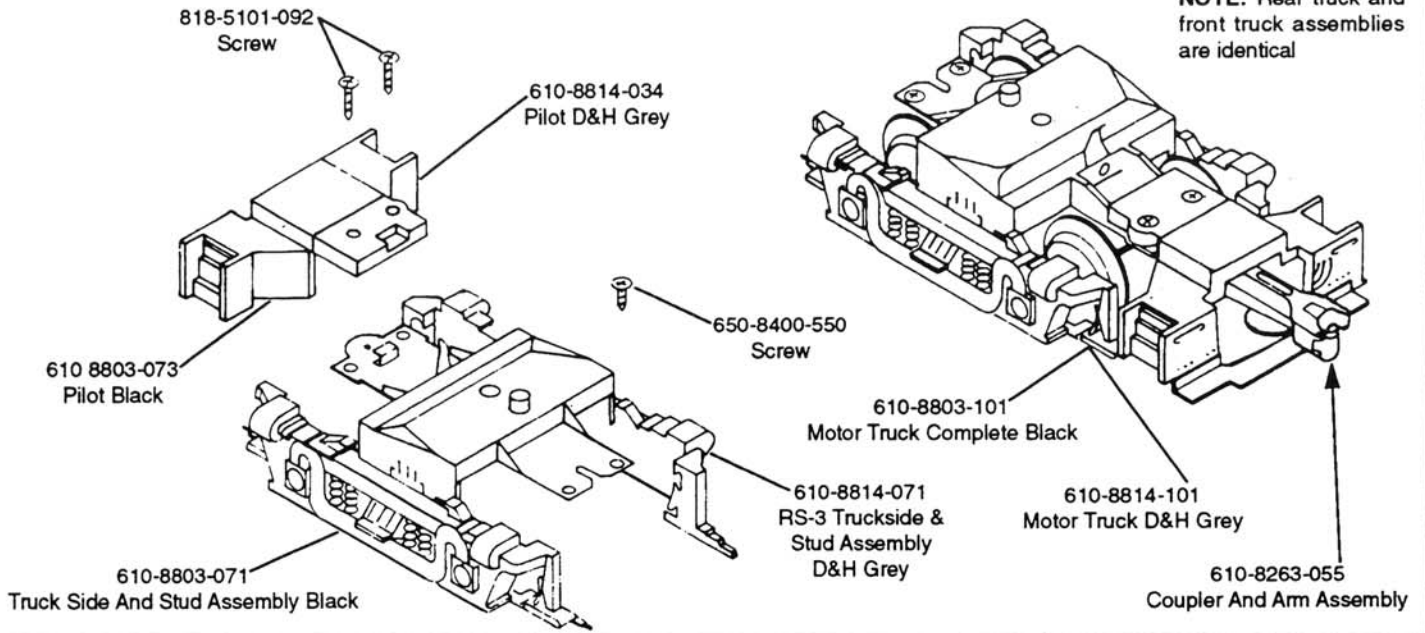
S27:1-5
(B-54)

LIONEL

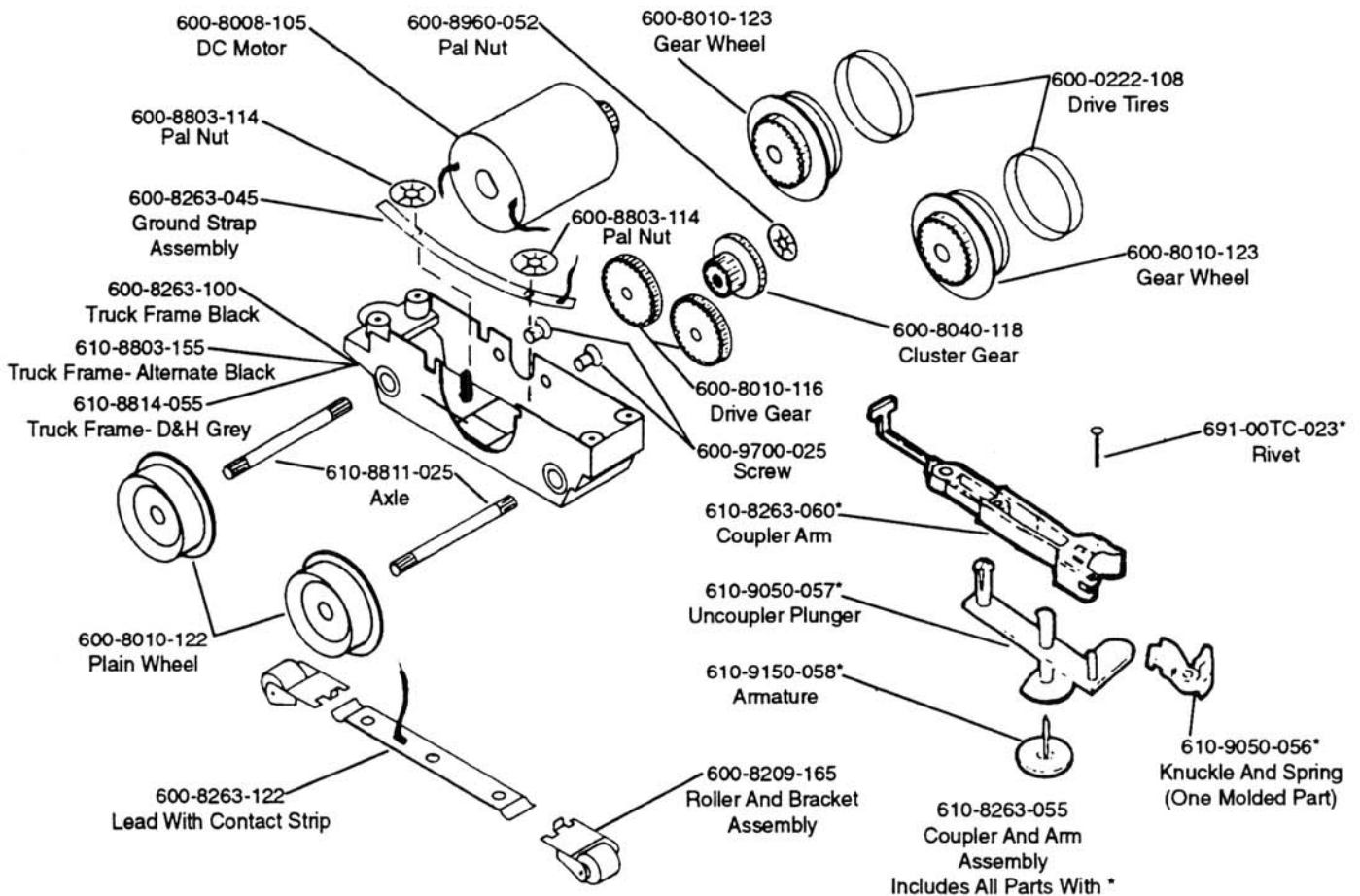
MOTOR TRUCK COMPLETE

(Page 2 of 2)

NOTE: Rear truck and front truck assemblies are identical

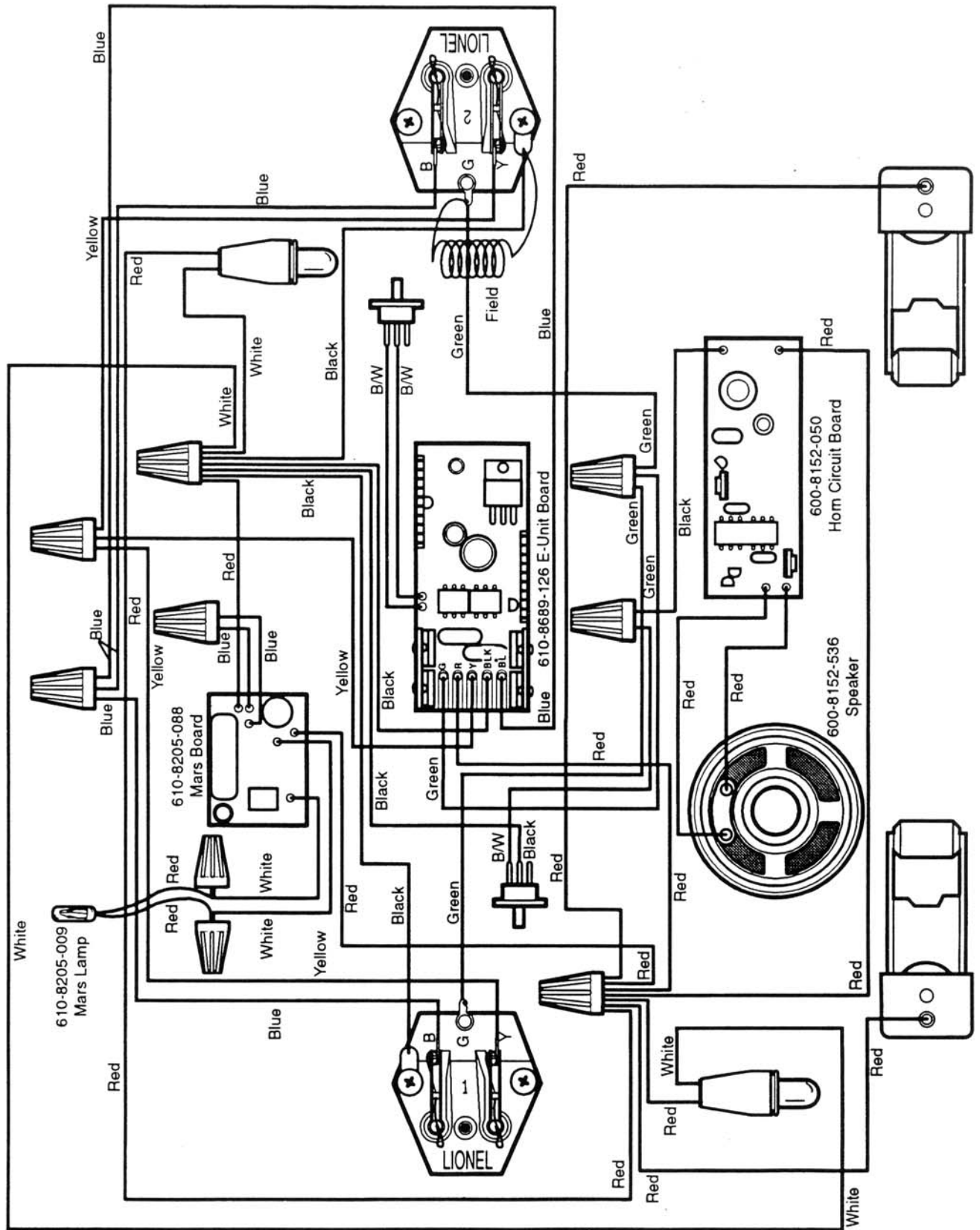


600-8369-151 MOTOR TRUCK & WHEEL ASSEMBLY



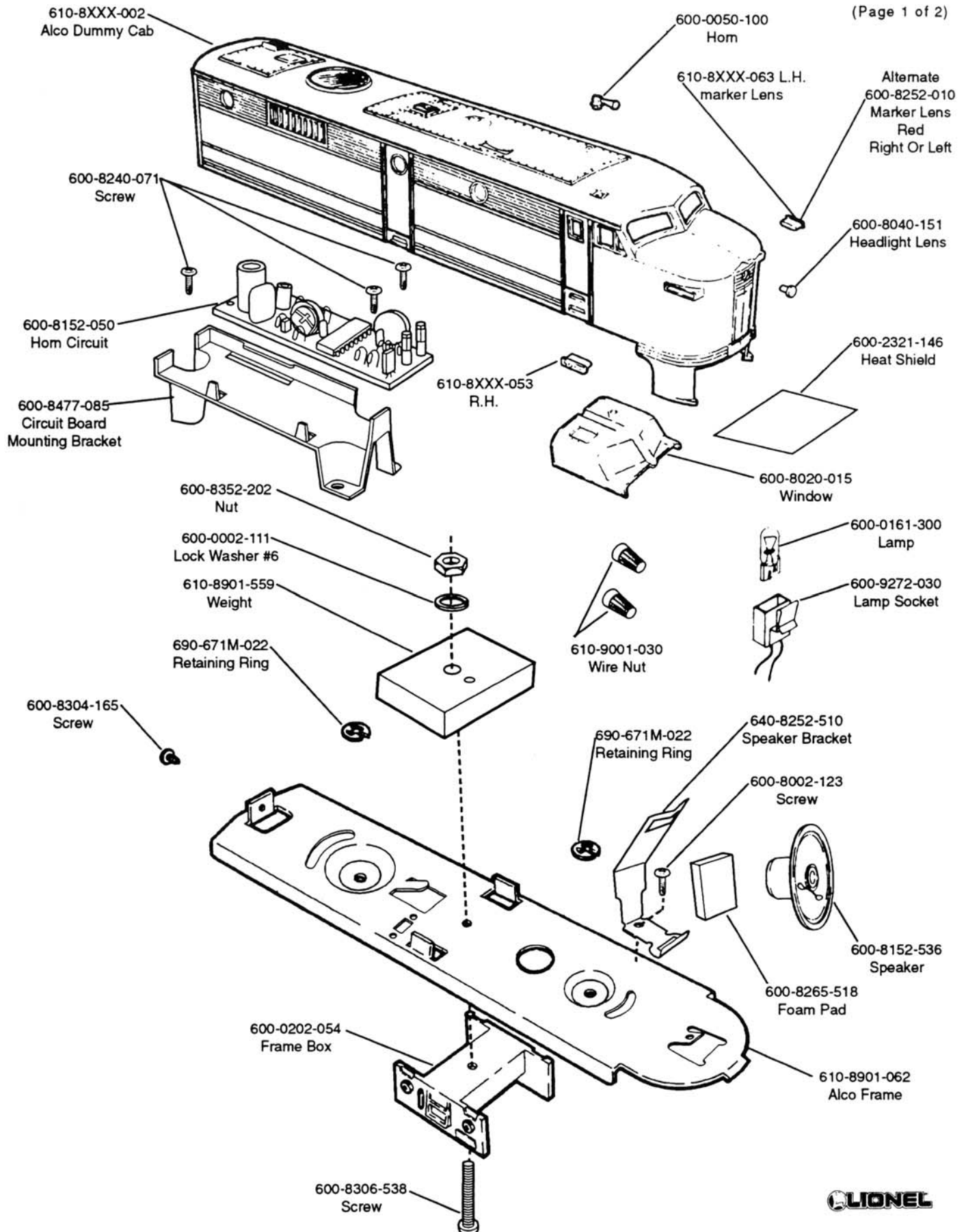
LIONEL

18211 SUSQUEHANNA DASH 8-40B WIRING SCHEMATIC



NON-POWERED ALCO FA-2 DIESEL LOCOMOTIVE WITH HORN

(Page 1 of 2)

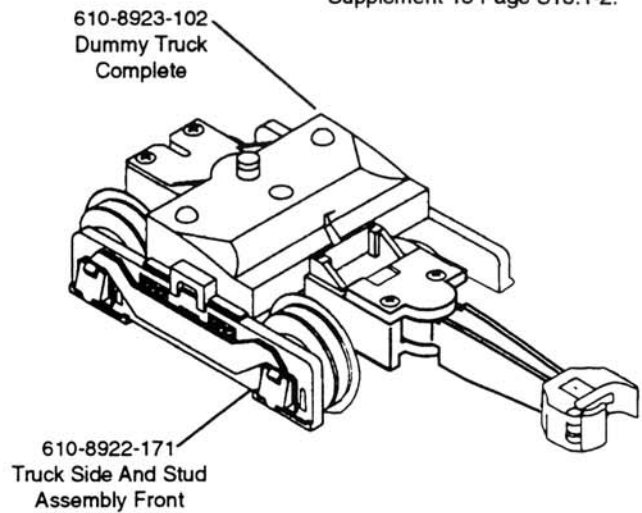
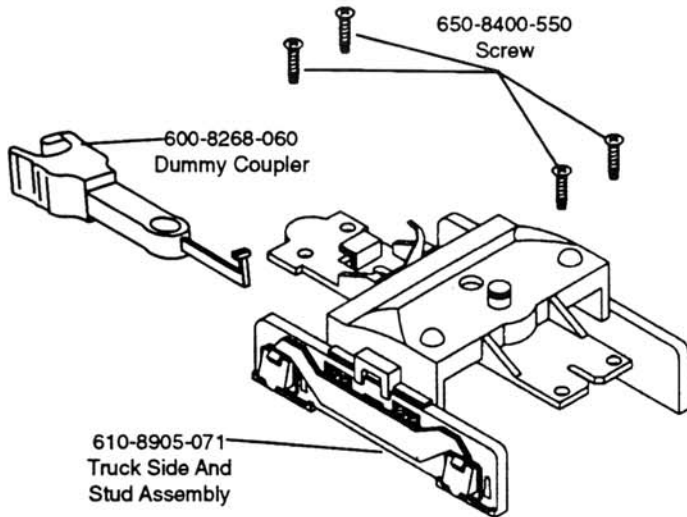


LIONEL

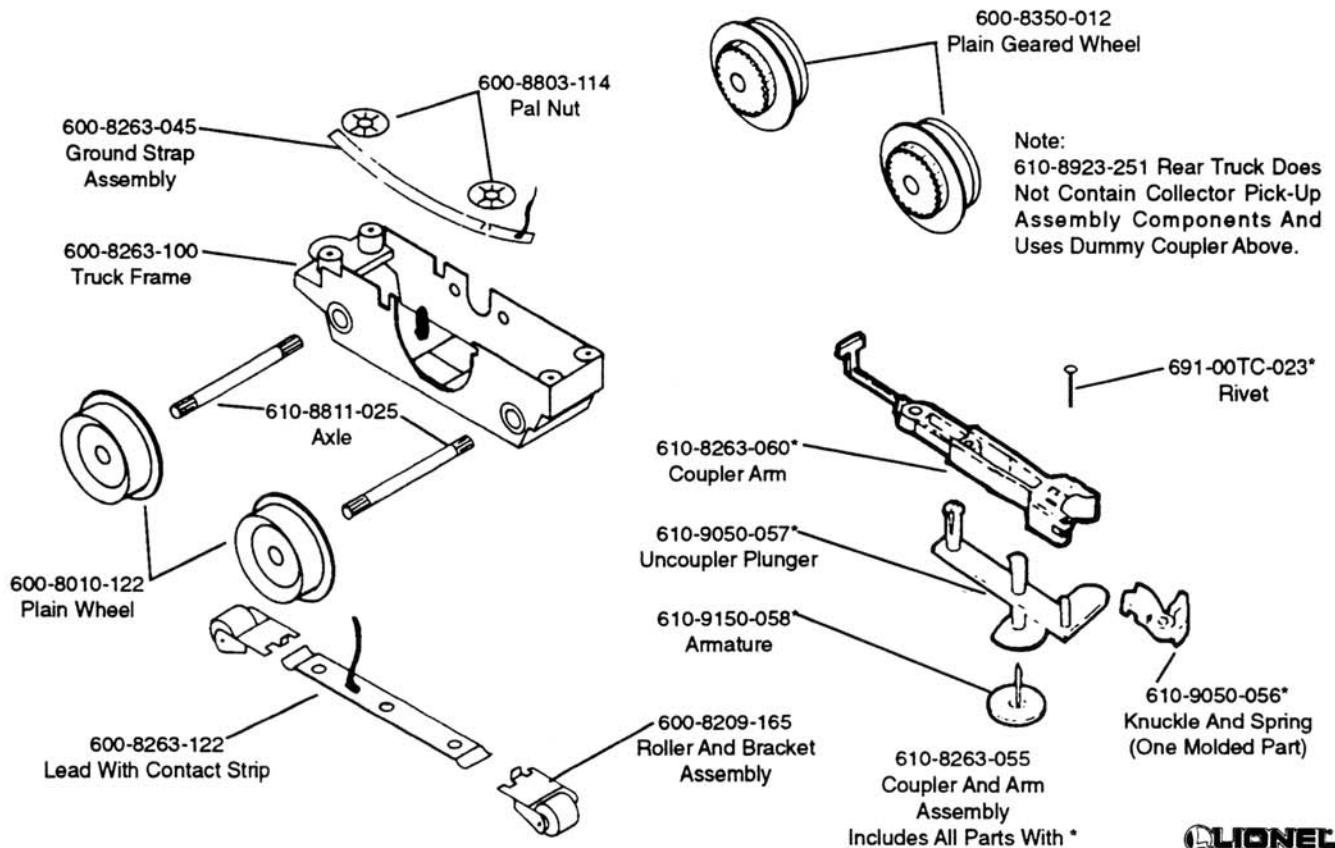
610-8923-102 FRONT DUMMY TRUCK ALCO STYLE
 610-8902-102 FRONT DUMMY TRUCK BLOMBERG STYLE
 610-8923-251 REAR DUMMY TRUCK ALCO STYLE
 610-8269-251 REAR DUMMY TRUCK BLOMBERG STYLE

(Page 2 of 2)

Alco Style Shown, For Breakdown
 Of Blomberg Style Refer To
 Supplement 13 Page S13:1-2.

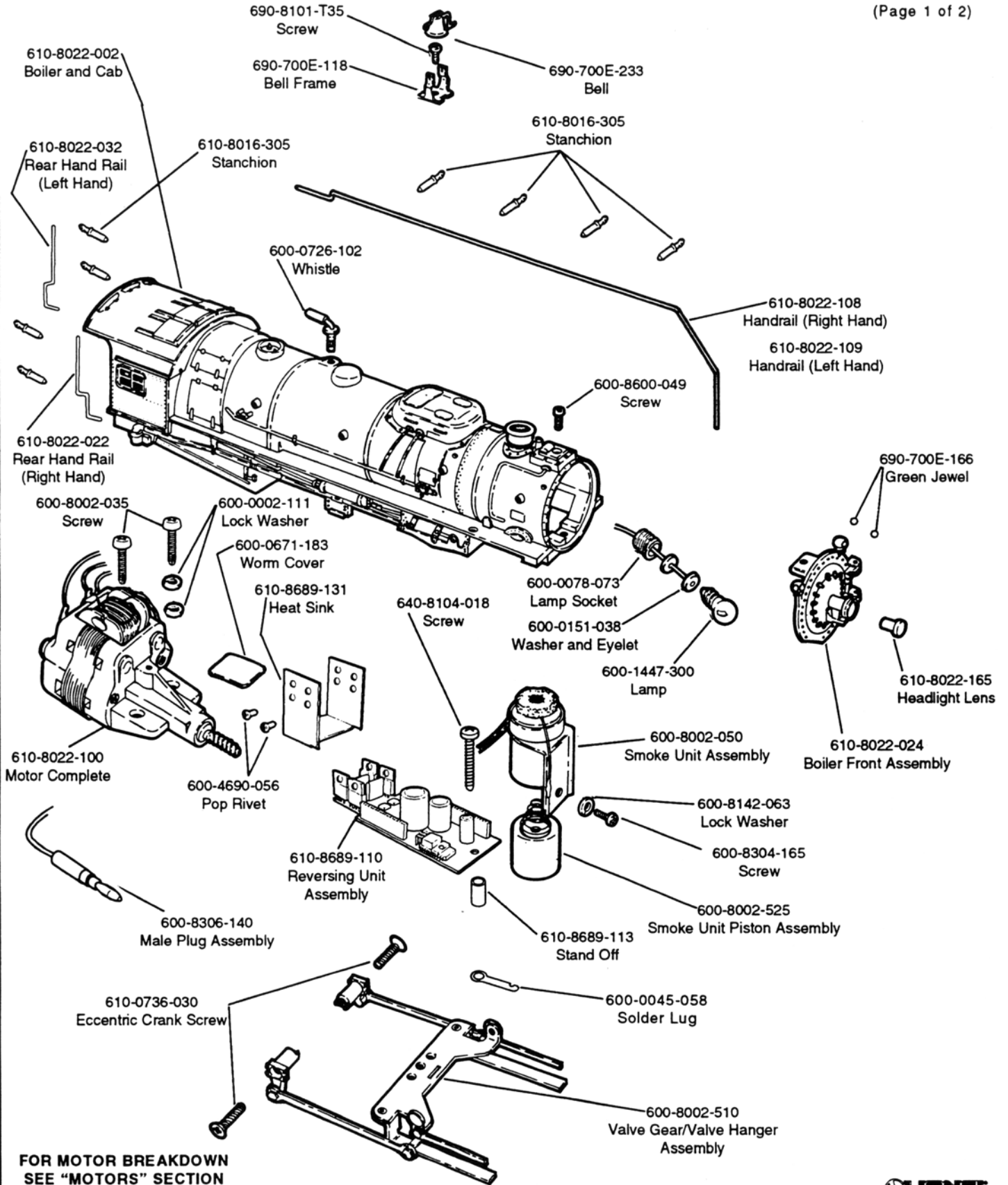


610-8918-151 DUMMY TRUCK & WHEEL ASSEMBLY



2-8-4 BERKSHIRE STEAM LOCOMOTIVE 610-8022-001 PERE MARQUETTE

(Page 1 of 2)



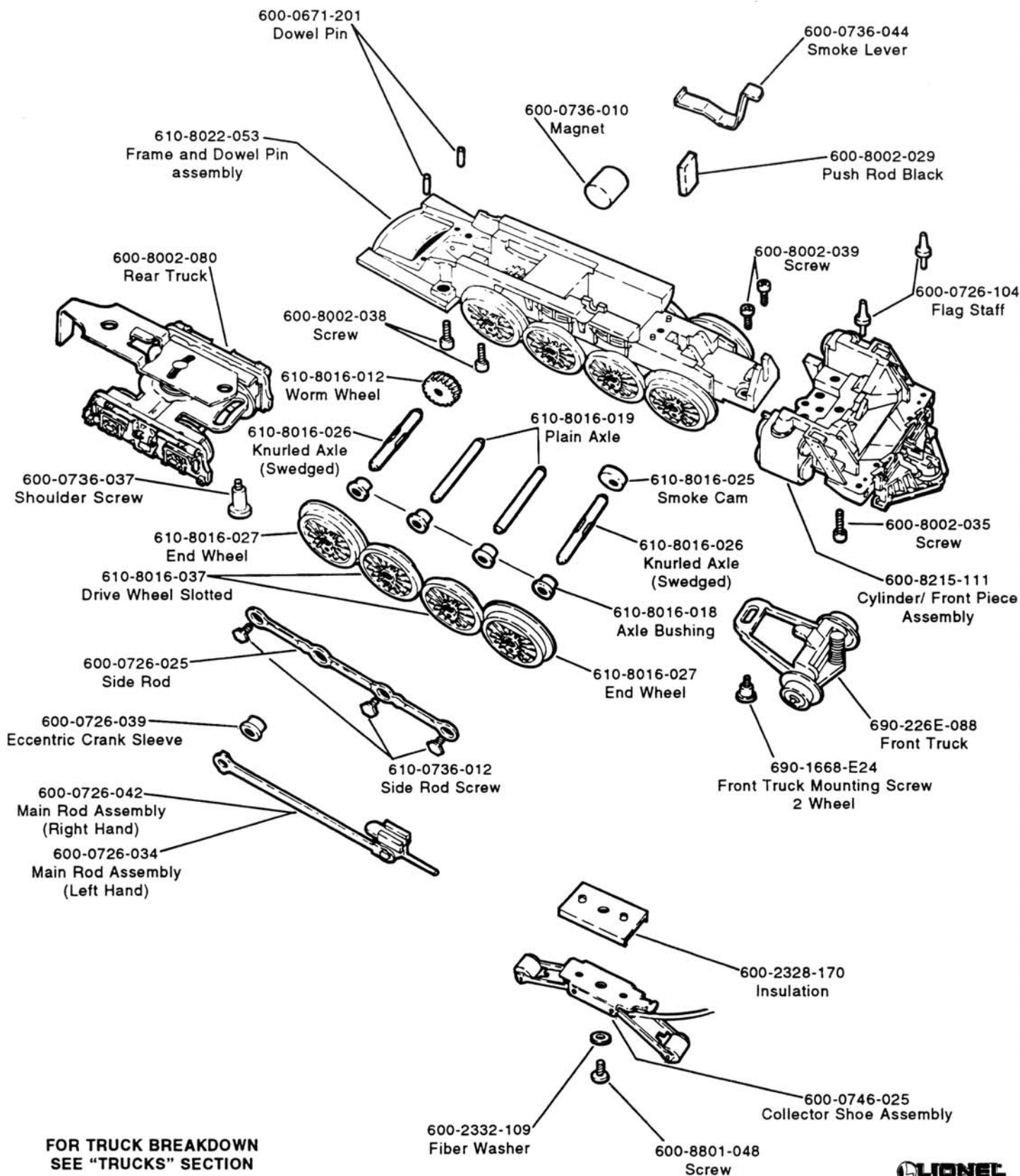
FOR MOTOR BREAKDOWN
SEE "MOTORS" SECTION

Continued on following page



2-8-4 BERKSHIRE STEAM LOCOMOTIVE 610-8022-001 PERE MARQUETTE CONT.

(Page 2 of 2)

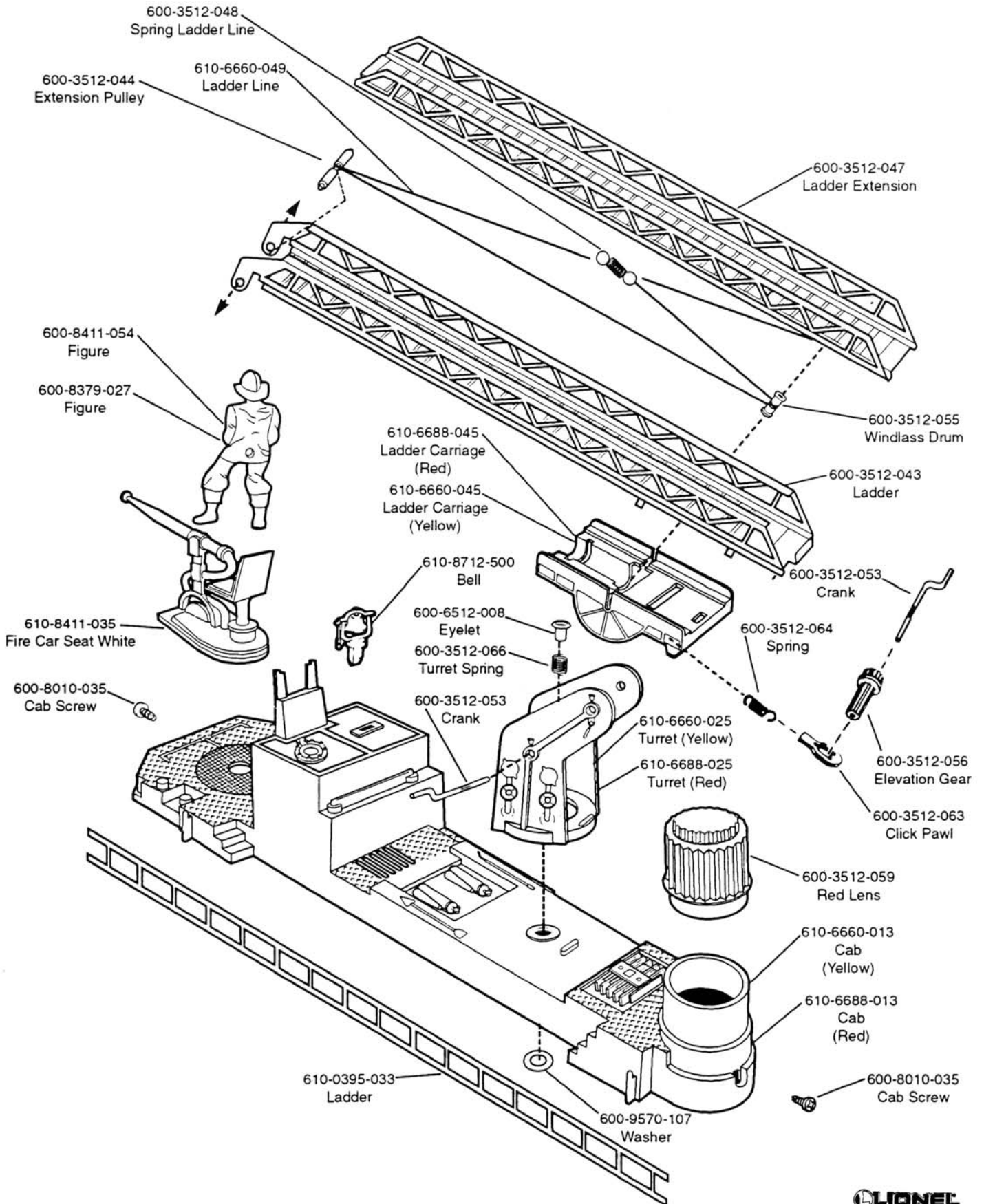


FOR TRUCK BREAKDOWN
SEE "TRUCKS" SECTION



601-6660-000 / 601-6688-000 FIRE CAR WITH LADDERS

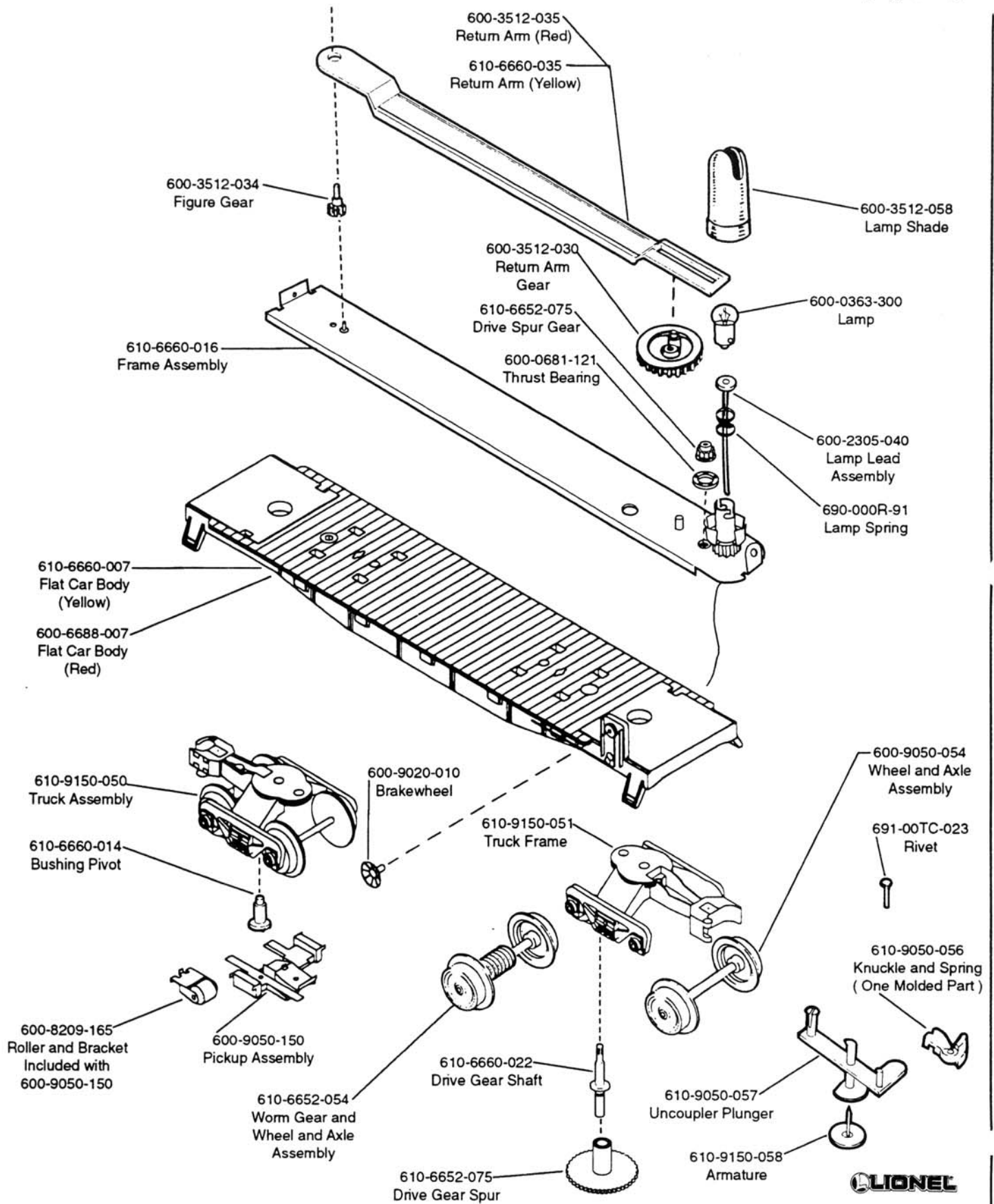
(Page 1 of 2)



LIONEL

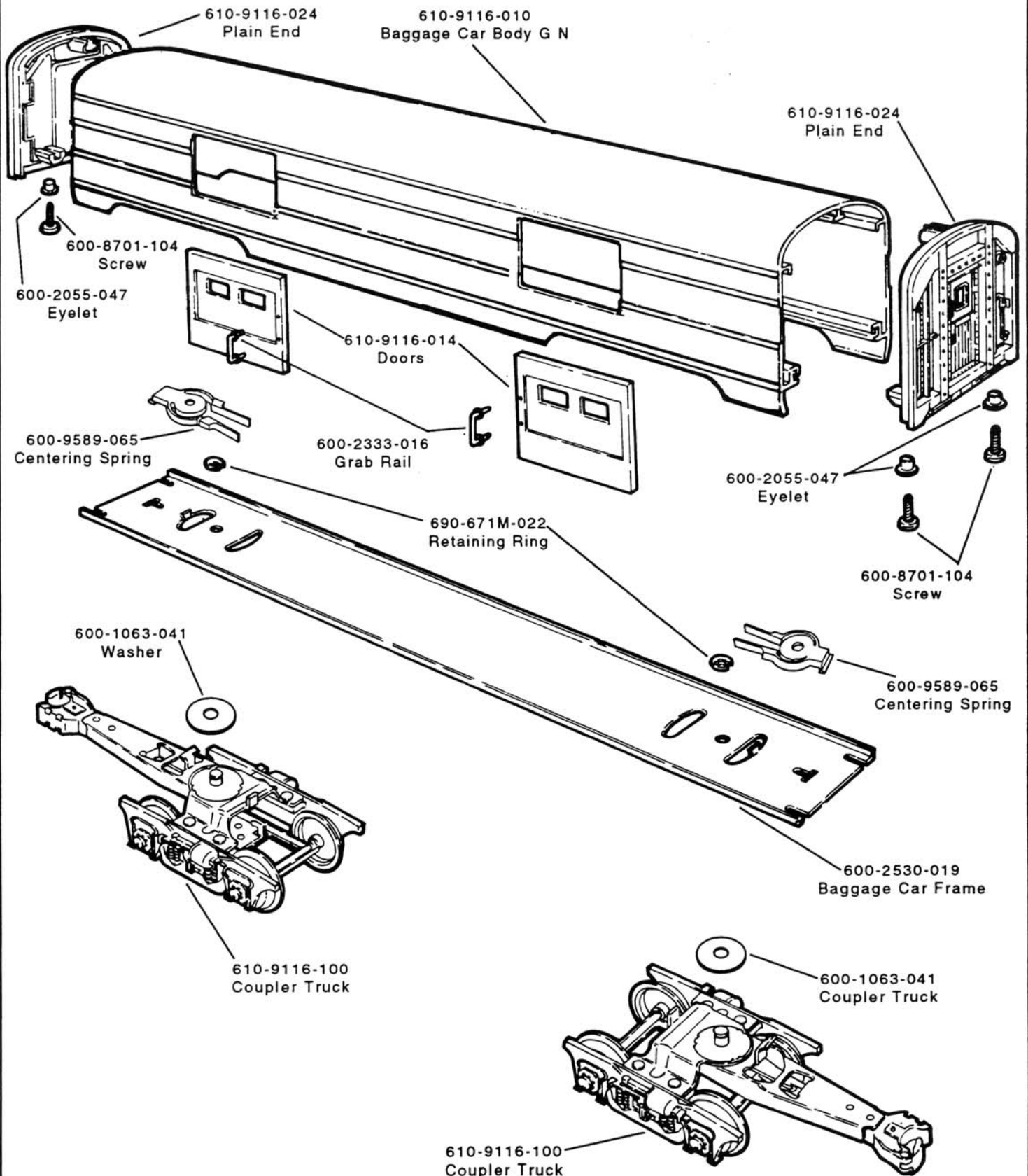
601-6660-000 / 601-6688-000 FIRE CAR WITH LADDERS CONTINUED

(Page 2 of 2)



601-9116-000 G N ALUMINUM BAGGAGE CAR

(SMOOTH SIDE)



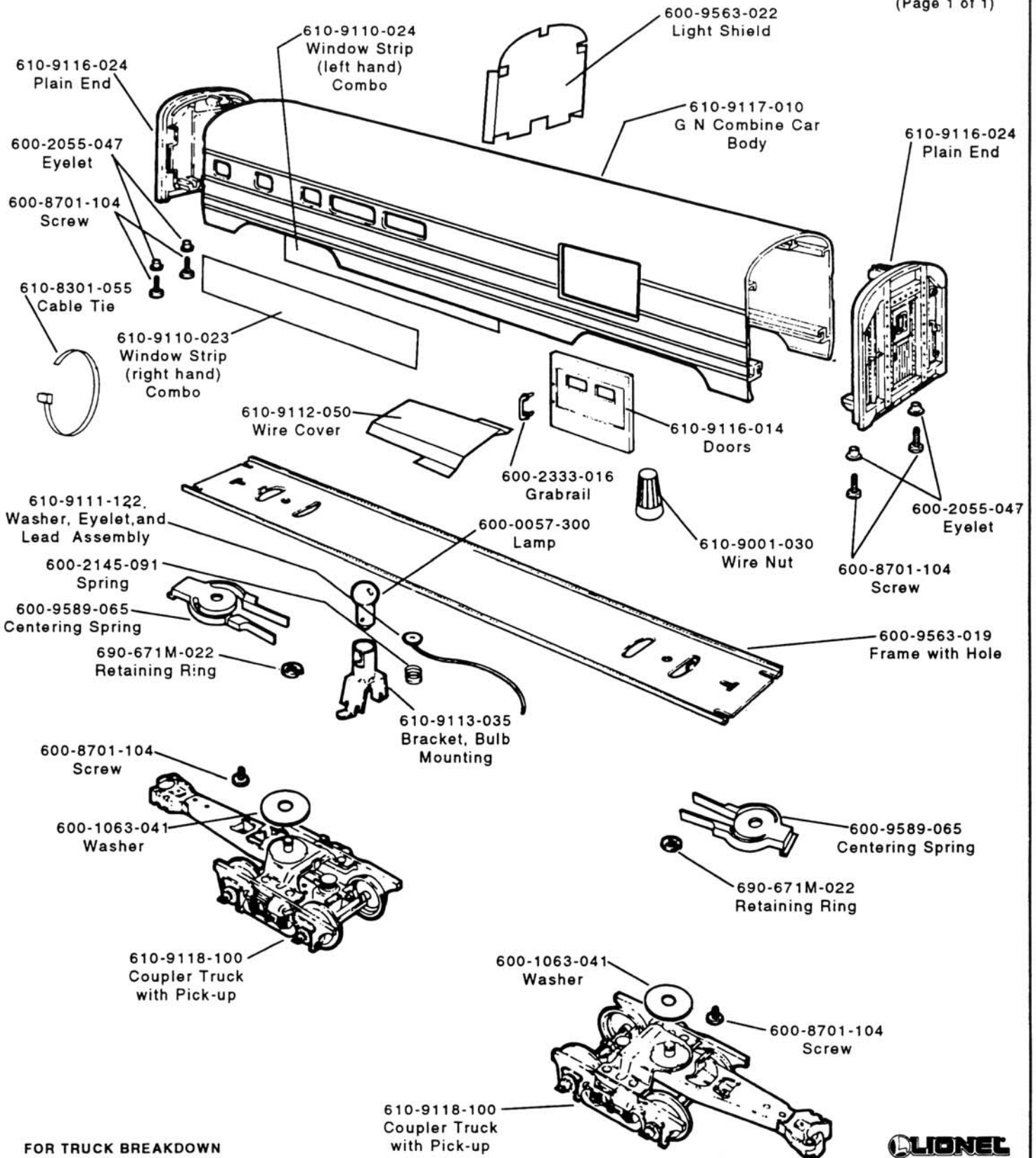
FOR TRUCK BREAKDOWN
SEE "TRUCKS" SECTION



601-9117-000 G N ALUMINUM COMBINE CAR

(SMOOTH SIDE)

(Page 1 of 1)

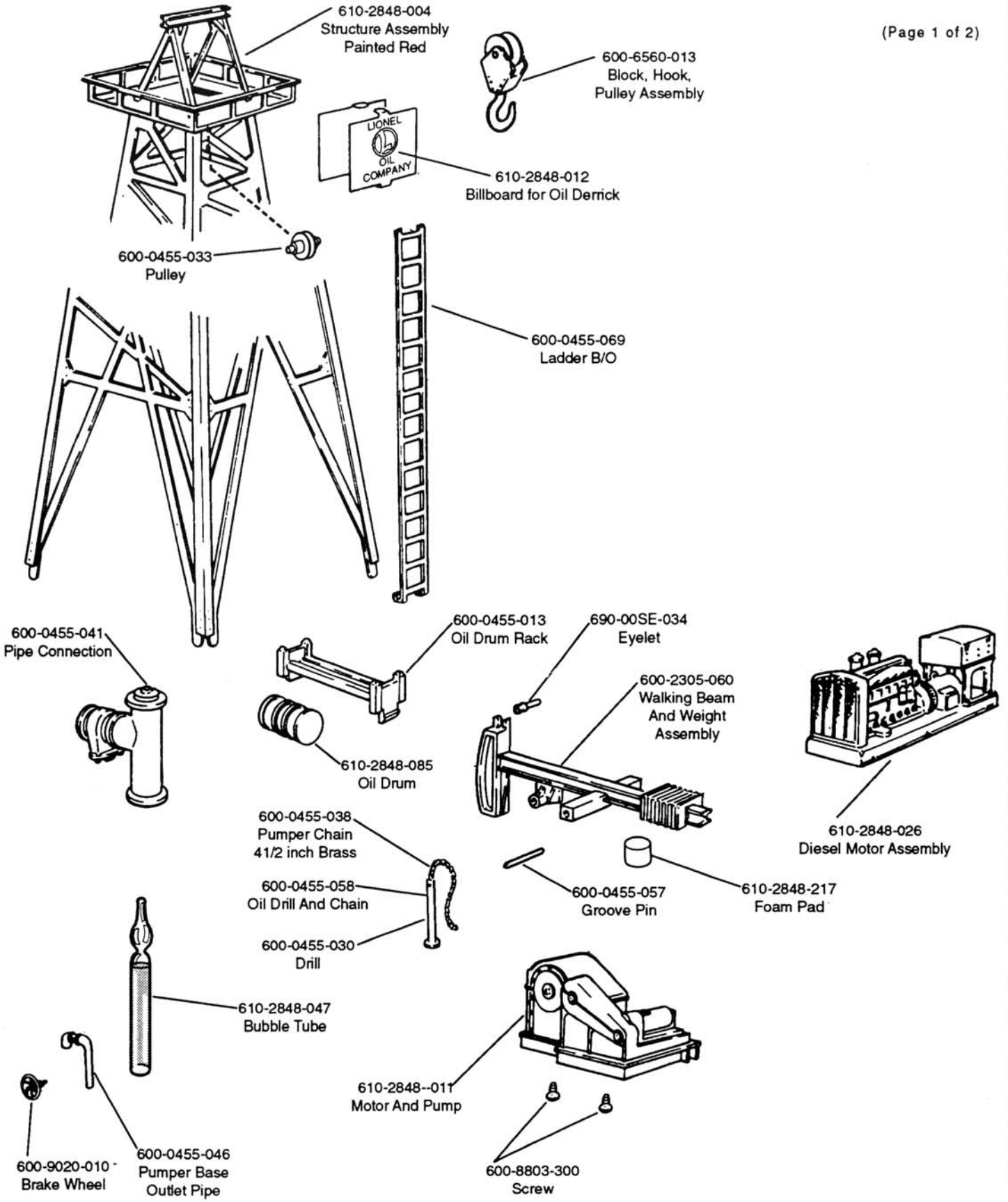


FOR TRUCK BREAKDOWN
SEE "TRUCKS" SECTION



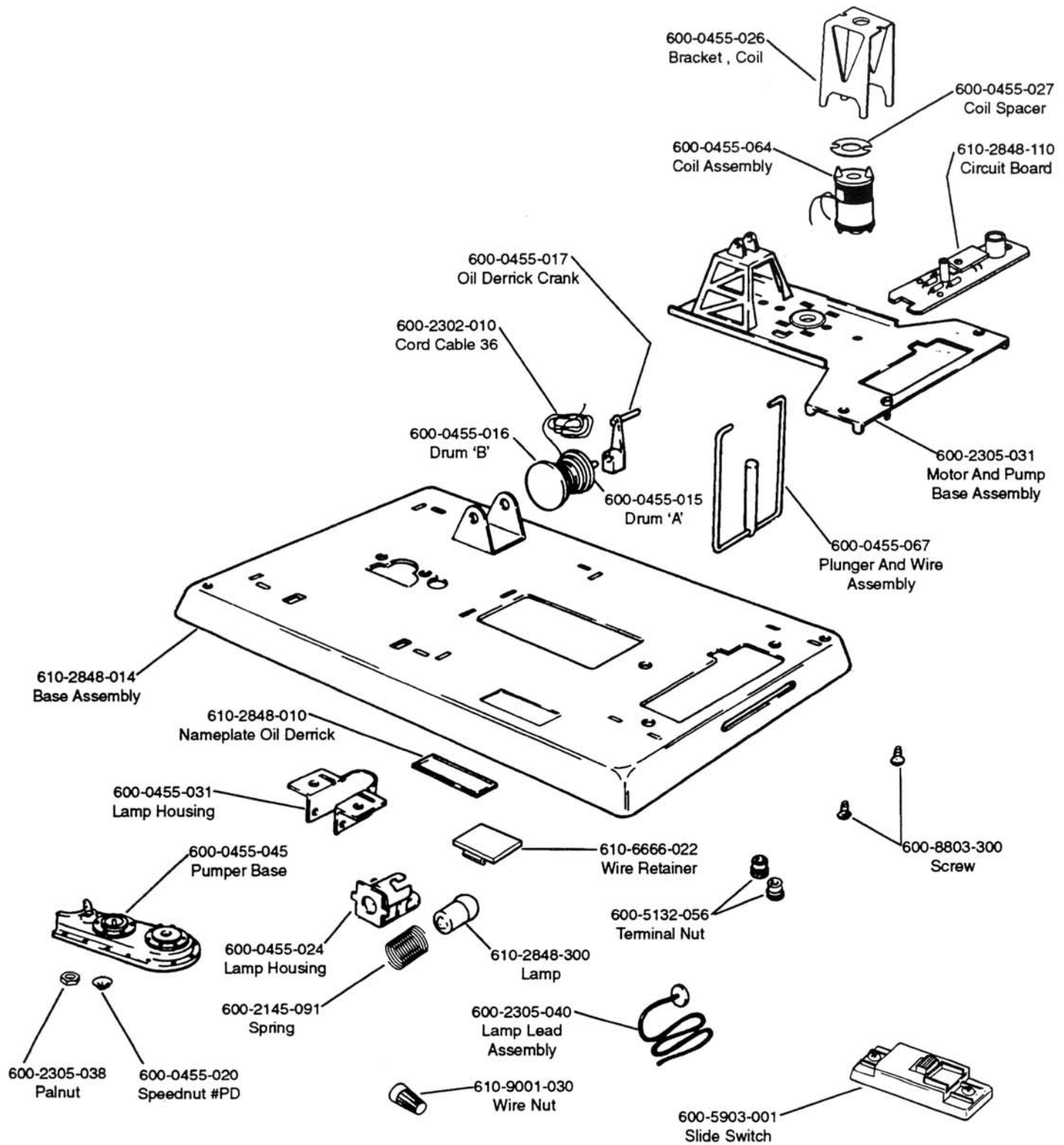
601-2848-000 OIL DERRICK

(Page 1 of 2)

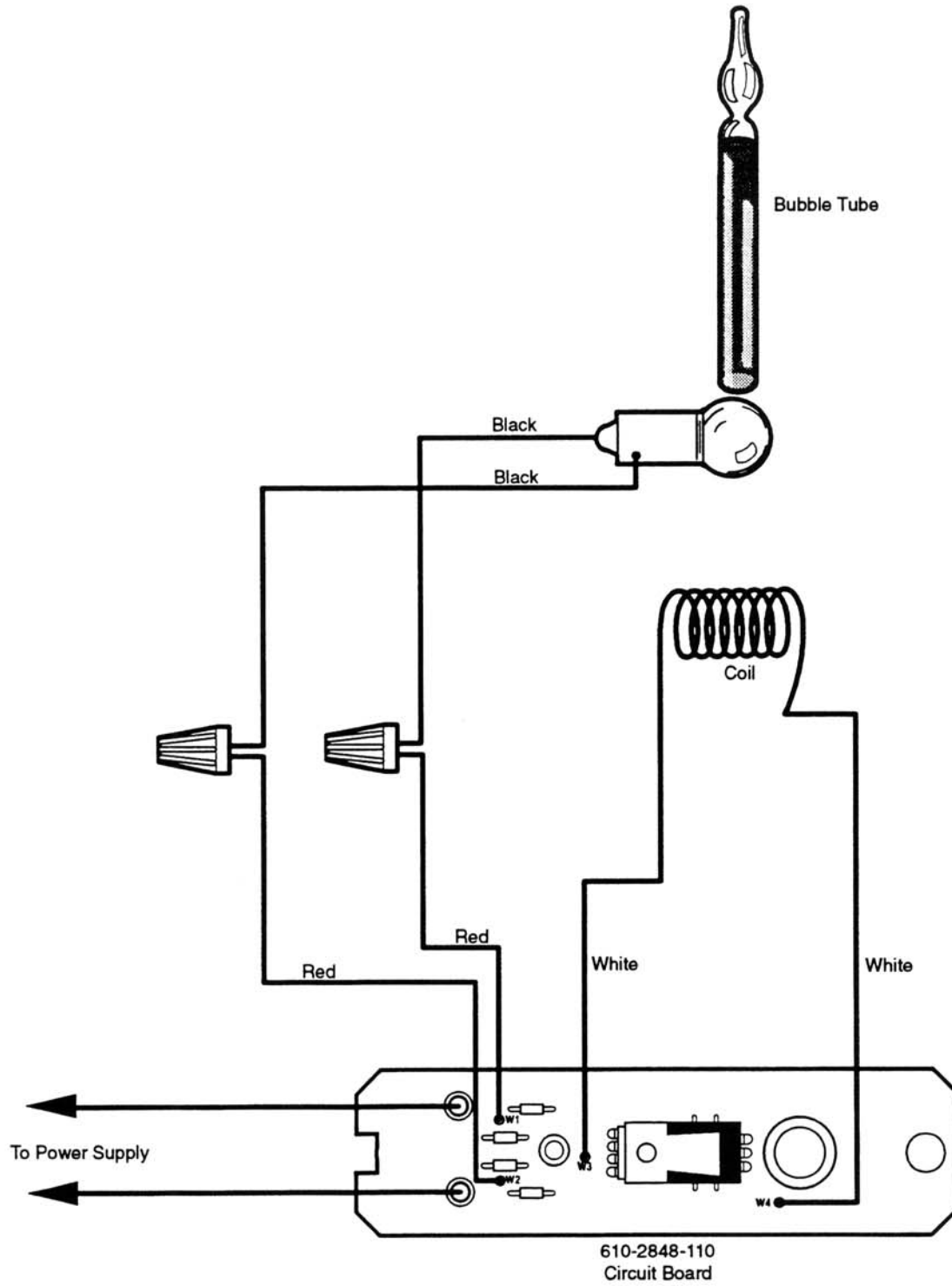


601-2848-000 OIL DERRICK

(Page 2 of 2)



601-2848-000 OIL DERRICK WIRING DIAGRAM



12760 AUTOMATIC HIGHWAY FLASHER WIRING DIAGRAM

