



# **PARTS LIST AND EXPLODED DIAGRAMS SUPPLEMENT 28**

*Produced by  
Lionel® Trains, Inc.  
50625 Richard W. Boulevard  
Chesterfield, MI 48051-2493*

*This supplement is designed to fit with two different publications, the  
Lionel Service Manual 1977 to 1986 and Lionel Parts List and  
Exploded Diagrams.*

*Each page has two numbers. The number for the Lionel Service  
Manual is indicated by parentheses, e.g., (A-57). The number which  
applies to Lionel Parts Lists and Exploded Diagrams is above the  
parentheses, e.g., S28:3-1*

**Copyright© 1995  
By Lionel Trains, Inc.  
All Rights Reserved**

# INDEX TO LIONEL PARTS LISTS AND EXPLODED DIAGRAMS Supplement 28

---

## ALPHABETICAL INDEX

### O AND O27 GAUGES

#### **Diesel Engines and Electrics**

C. R. SD-60	S28:1-1, 2, 3, 4
601-8216-000	
Fairbanks Morse	S28:1-5, 6
601-8307-000 601-8309-000	
GP-7, 9, 20	S28:1-7, 8
601-8826-000 601-8831-000	
601-8840-000	
Little Joe Electrics	S28:1-9, 10
601-8311-000	

#### **Steam Locomotives**

2-8-2 S.F. Mikado	S28:3-1, 2, 3
610-8034-001	
4-8-4 N&W J Class	S28:3-4, 5, 6, 7
610-8040-001	

#### **Tenders**

2224T Die Cast Type	S28:4-1
691-8034-T01	
Coal Tender Wiring Schematic	S28:4-2
691--8034-T01 691-8040-T01	
N&W J Class Die Cast	S28:4-3
691-8040-T01	

#### **Accessories**

Icing Station	S28:14-1
601-2703-000 601-2847-000	

## NUMERICAL LISTINGS

601-2703-000  
601-2847-000  
601-8216-000  
601-8307-000  
601-8309-000  
601-8311-000

S28:14-1  
S28:14-1  
S28:1-1, 2, 3, 4  
S28:1-5, 6  
S28:1-5, 6  
S28:1-9, 10

601-8826-000  
601-8831-000  
601-8840-000  
610-8034-001  
610-8040-001  
691-8034-T01  
691-8040-T01

S28:1-7, 8  
S28:1-7, 8  
S28:1-7, 8  
S28:3-1, 2, 3  
S28:3-4, 5, 6, 7  
S28:4-1, 2  
S28:4-3, 2

# LIONEL SERVICE MANUAL

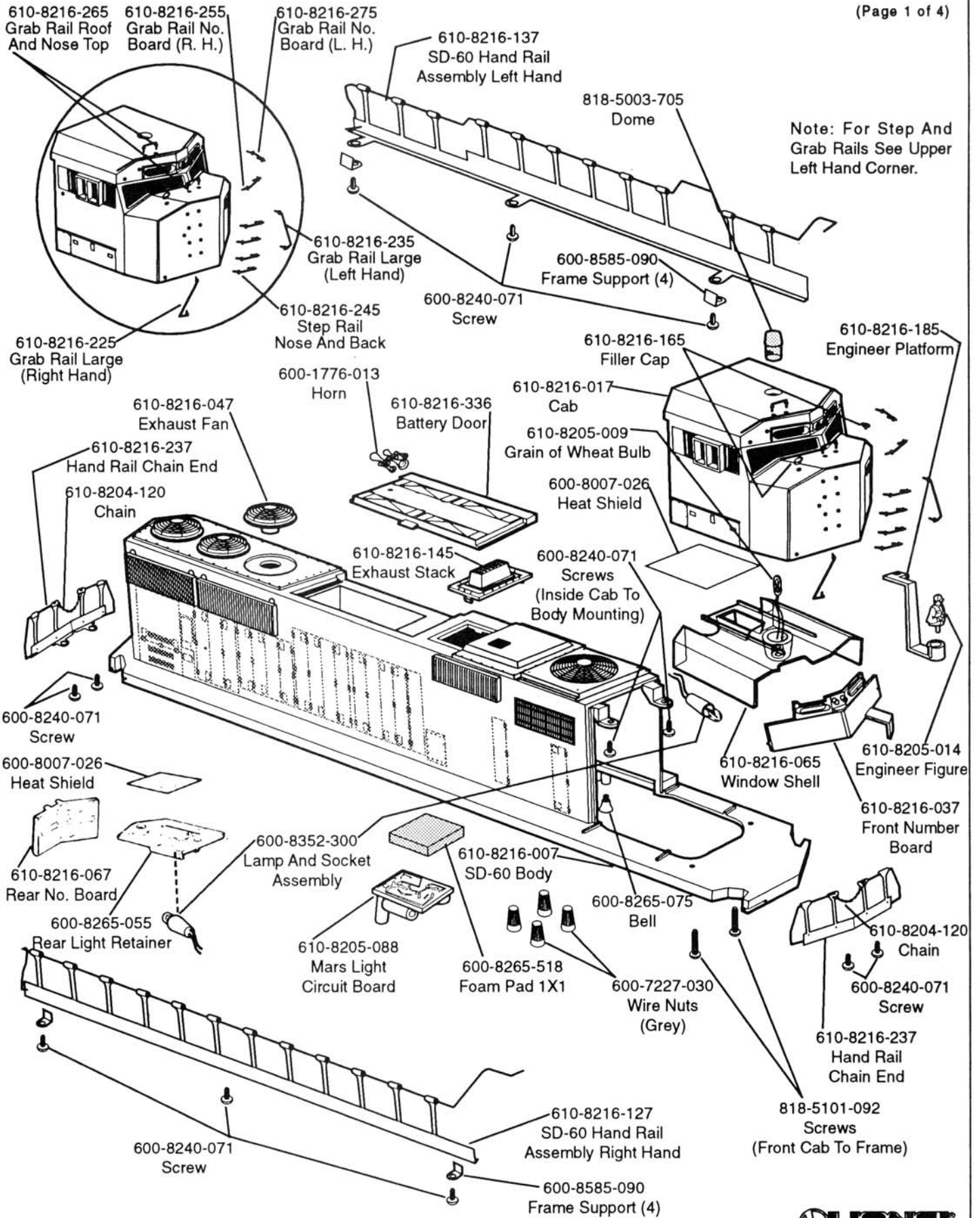
## INDEX BY LETTER

### Supplement 28

Description	Drawing
<b>Steam locomotives:</b>	
2-8-2 Santa Fe Mikado..... 610-8034-001	(A-57), (A-57-2), (A-57-3)
4-8-4 N&W J Class..... 610-8040-001	(A-58), (A-58-2), (A-58-3), (A-58-4)
<b>Diesel Locomotives &amp; Electrics:</b>	
C.R. SD-60..... 601-8216-000	(B-56), (B-56-2), (B-56-3), (B-56-4)
Fairbanks Morse..... 601-8307-000, 601-8307-000	(B-57), (B-57-2)
GP-7, 9, 20..... 601-8826-000, 601-8831-000, 601-8840-000	(B-58), (B-58-2)
Little Joe..... 601-8311-000	(B-59), (B-59-2)
<b>Tenders:</b>	
2224T Die Cast Type..... 691-8034-T01	(C-46), (C-47)
N&W J Class die cast.....	(C-48), (C-47)
<b>Accessories</b>	
Icing Station..... 601-2703-000 601-2847-000	(I-50)

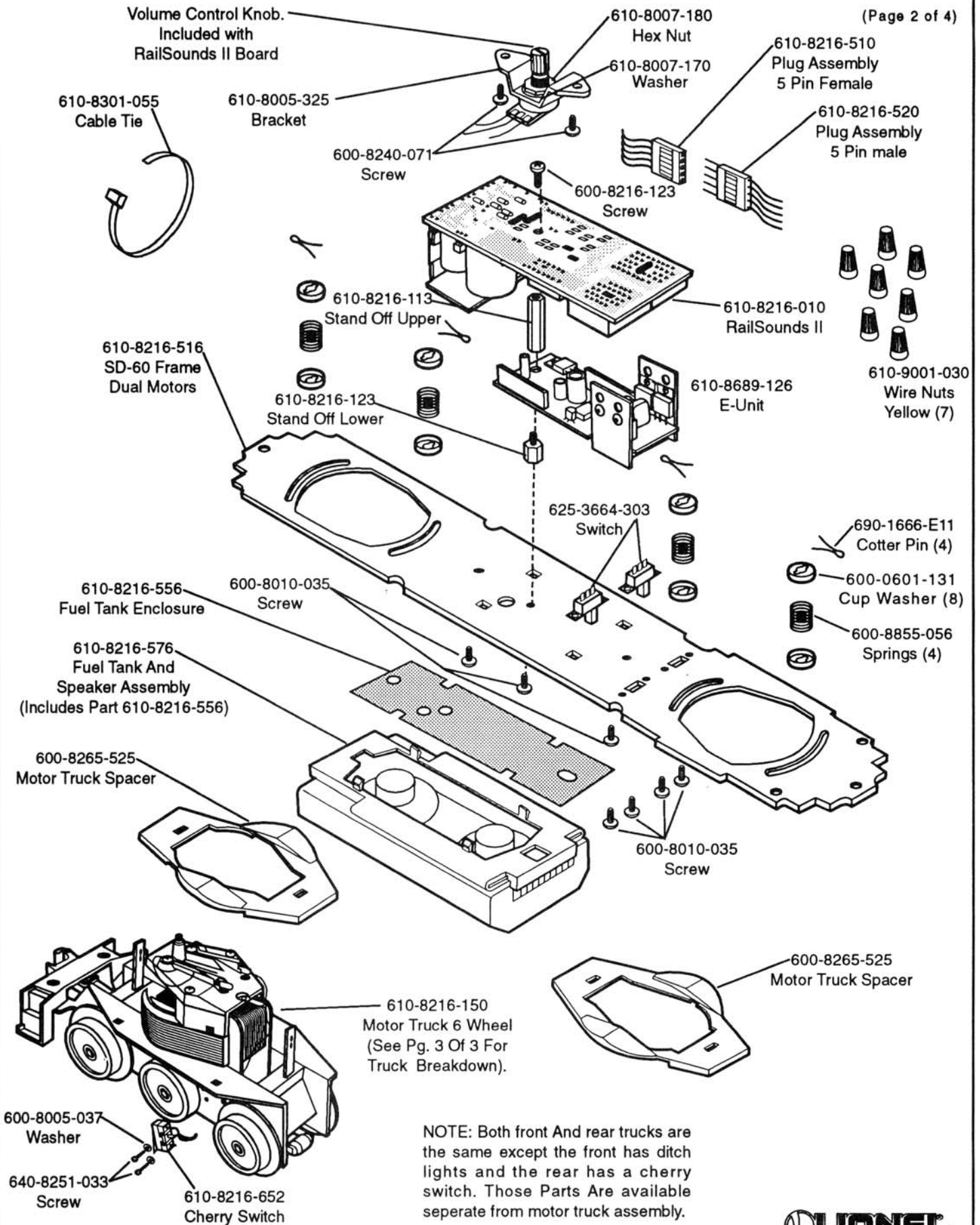
# 601-8216-000 C.R. SD-60 LOCOMOTIVE

(Page 1 of 4)



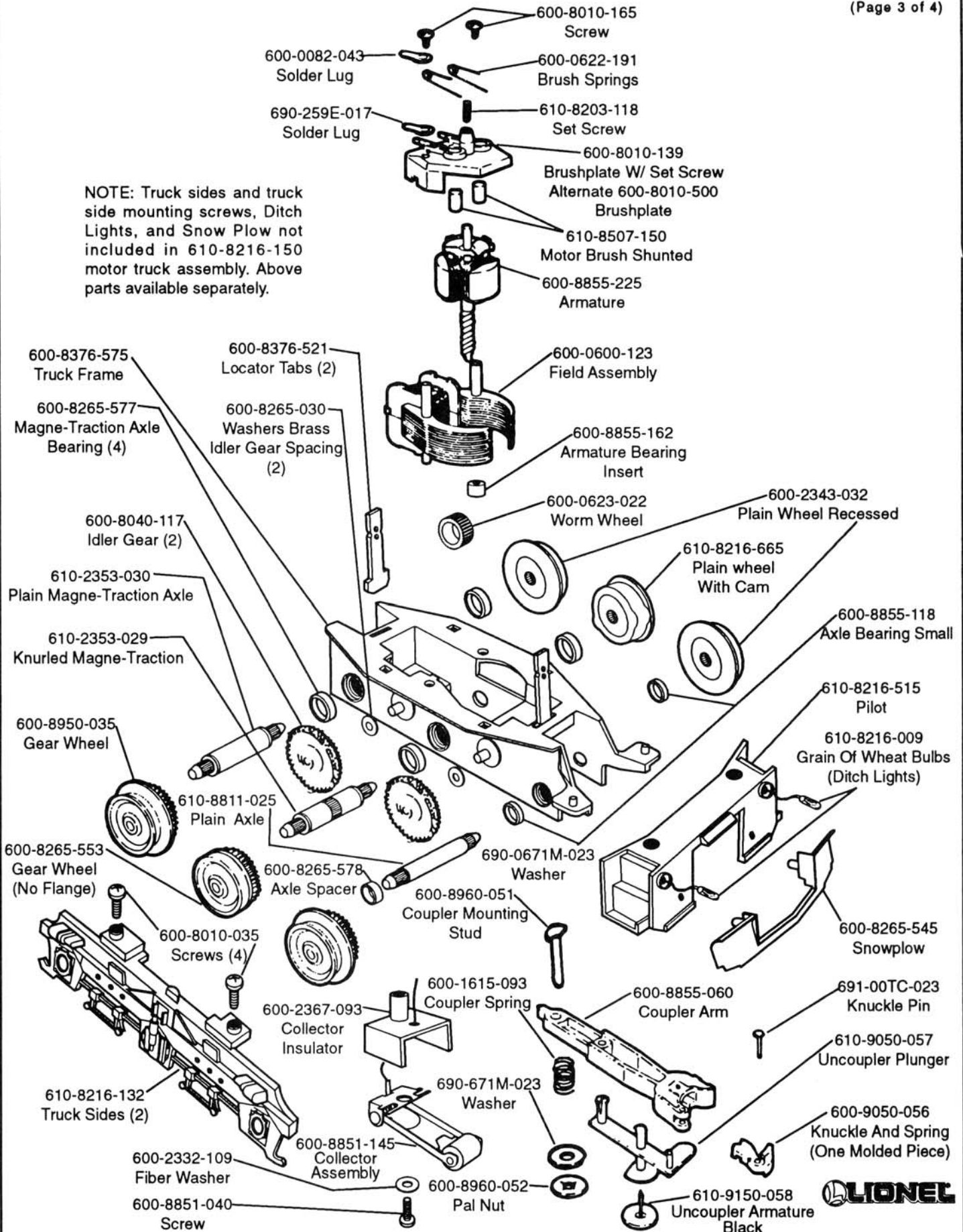
# 601-8216-000 SD-60 LOCOMOTIVE

(Page 2 of 4)



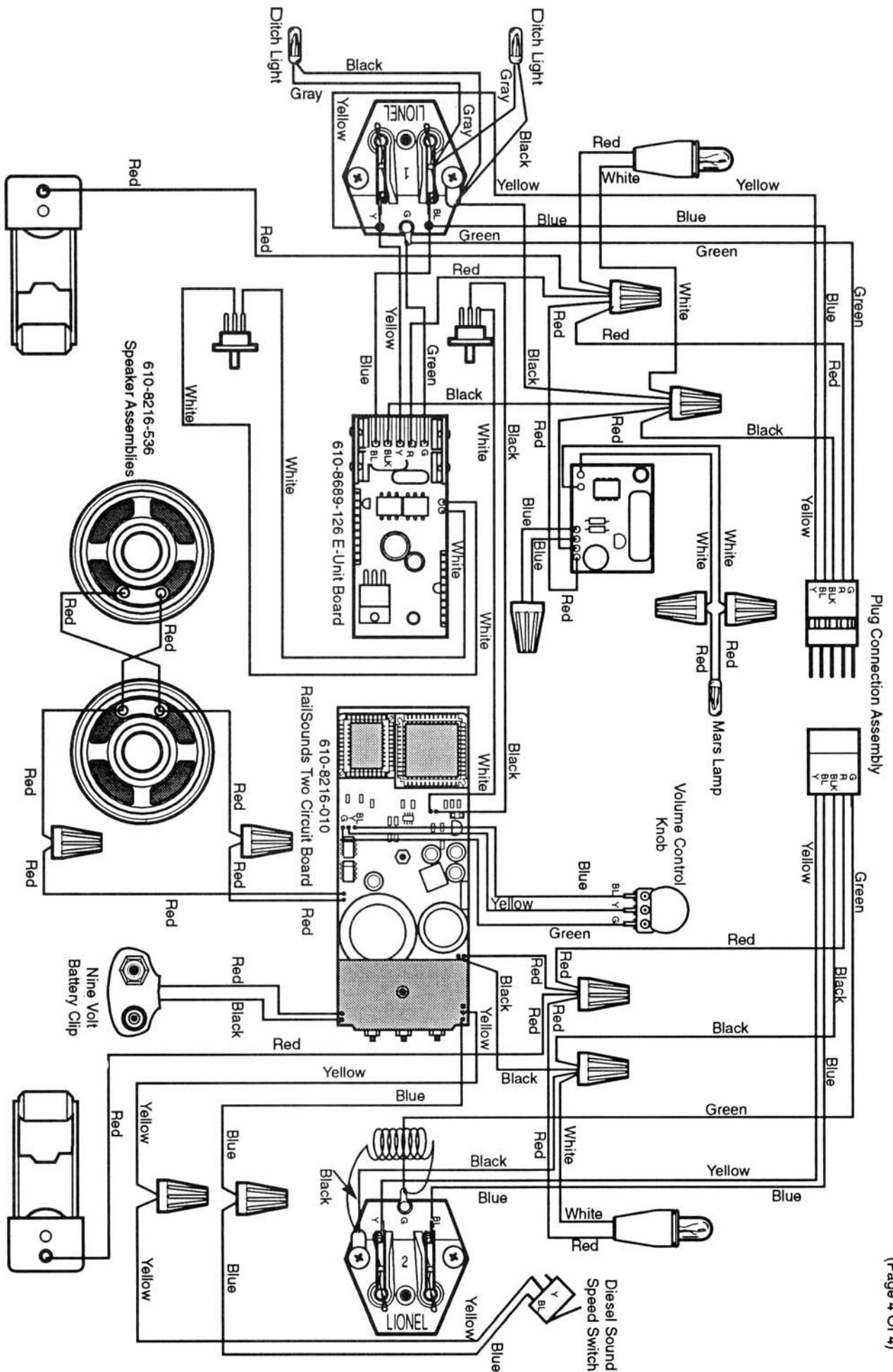
# 601-8216-000 C.R. SD-60 LOCOMOTIVE 610-8216-150 MOTOR TRUCK ASSEMBLY

NOTE: Truck sides and truck side mounting screws, Ditch Lights, and Snow Plow not included in 610-8216-150 motor truck assembly. Above parts available separately.



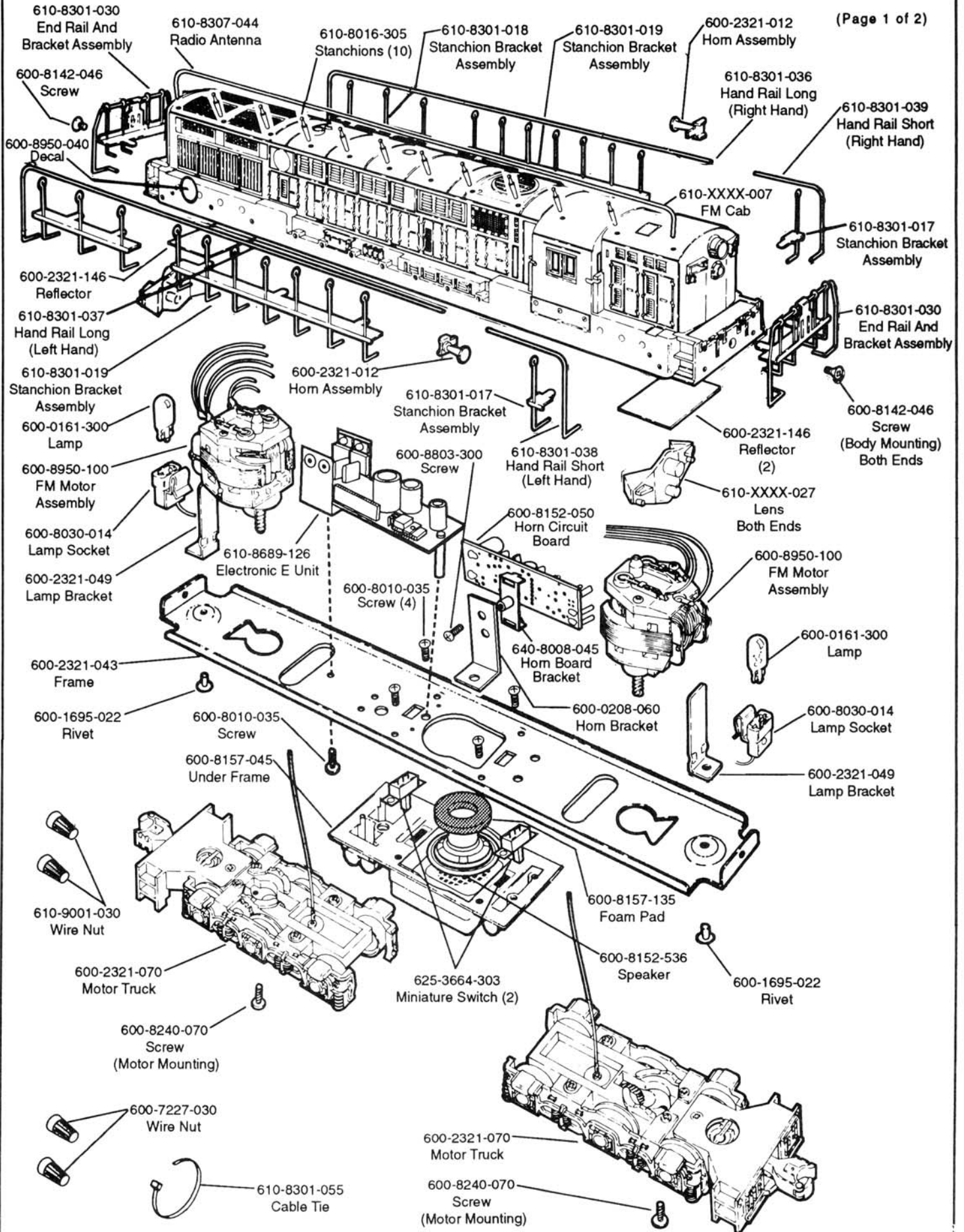
# 1-8216 CR. SD-60 WIRING SCHEMATIC

(Page 4 Of 4)

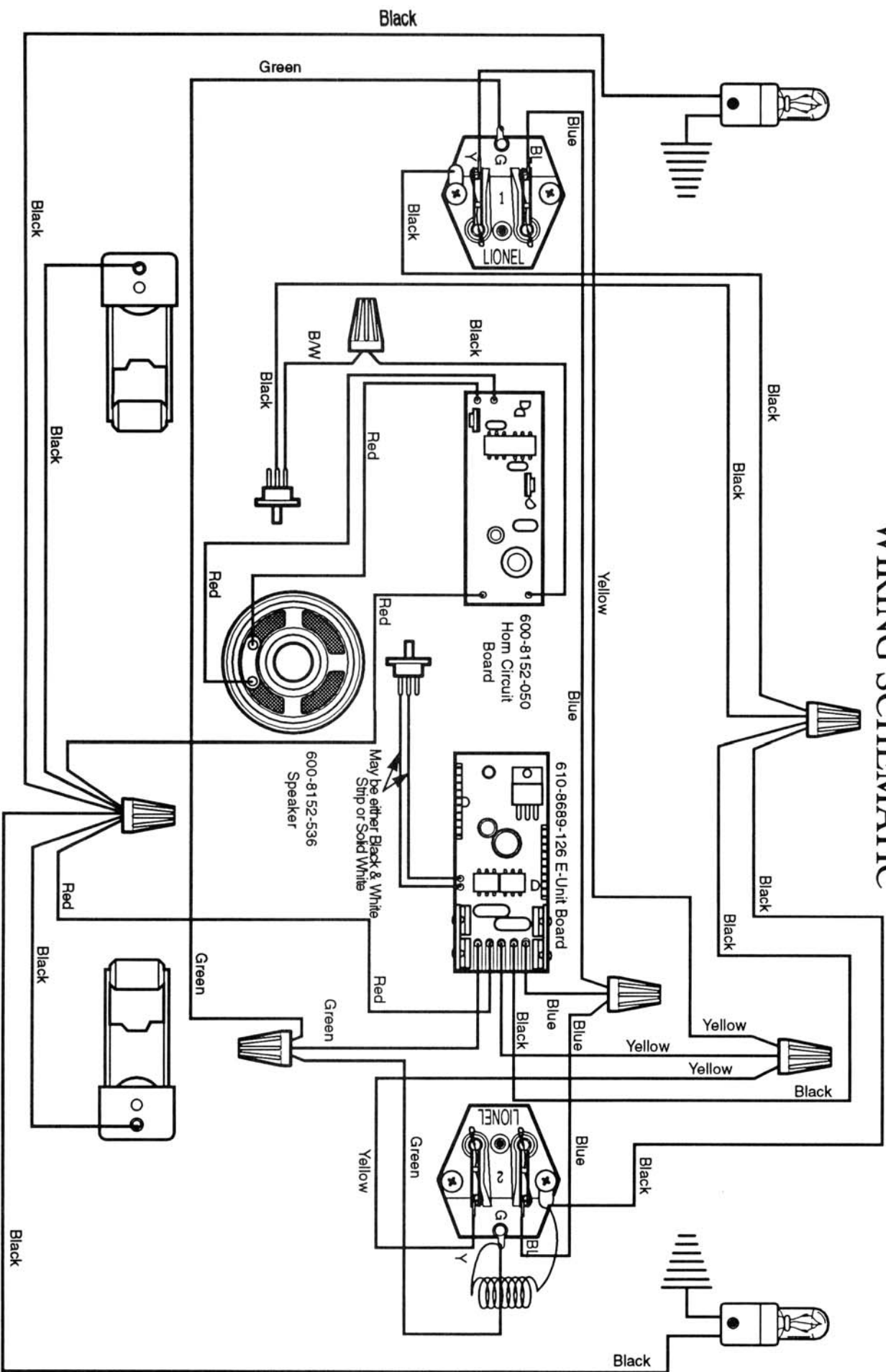




# 1-8307 & 1-8309 FAIRBANKS MORSE LOCOMOTIVES

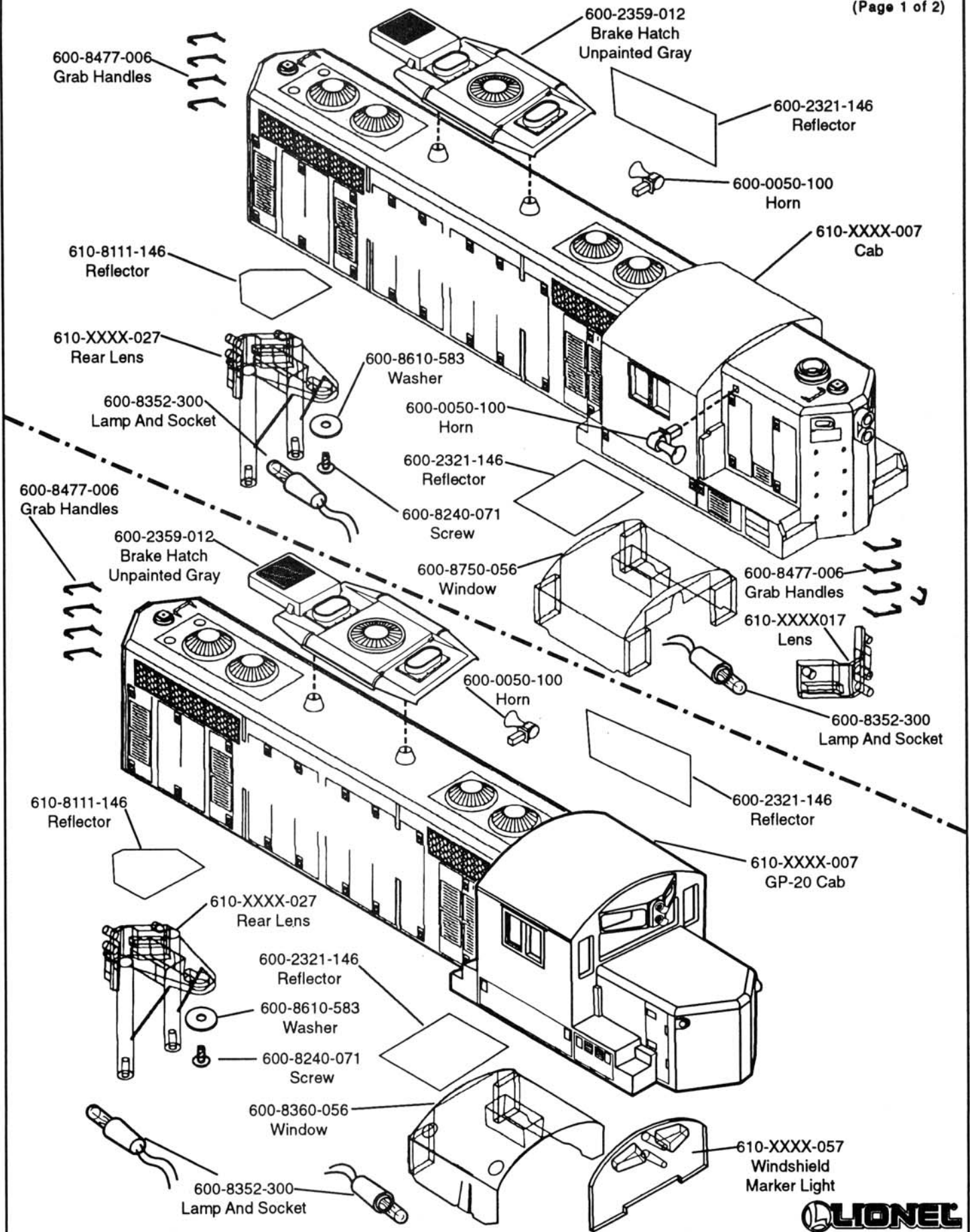


# 1-8309 READING FAIRBANKS MORSE 1-8307 PENNSYLVANIA FAIRBANKS MORSE WIRING SCHEMATIC



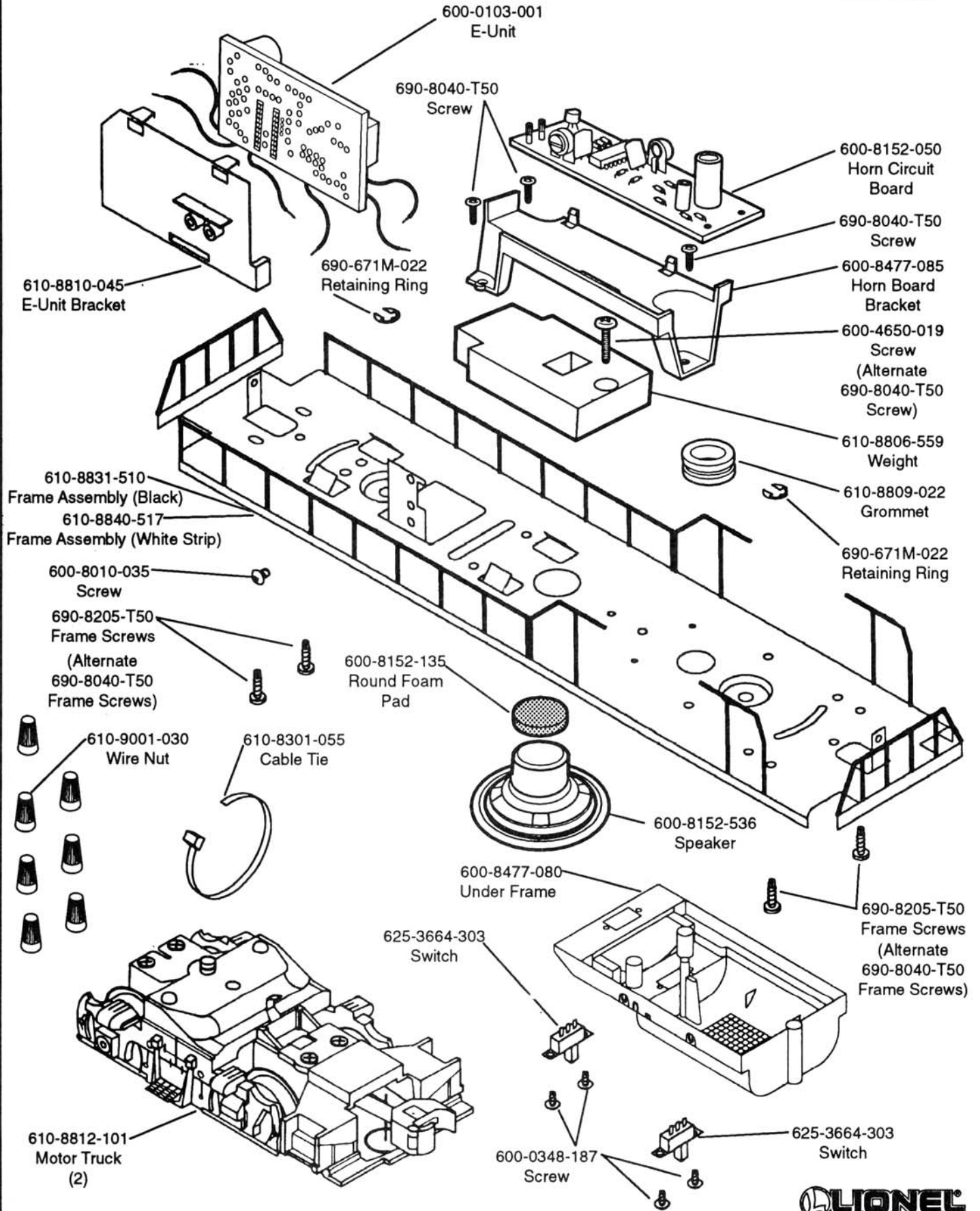
# GP-7 & 9 DIESEL LOCOMOTIVE (UPPER PORTION) GP-20 DIESEL LOCOMOTIVE (LOWER PORTION)

(Page 1 of 2)



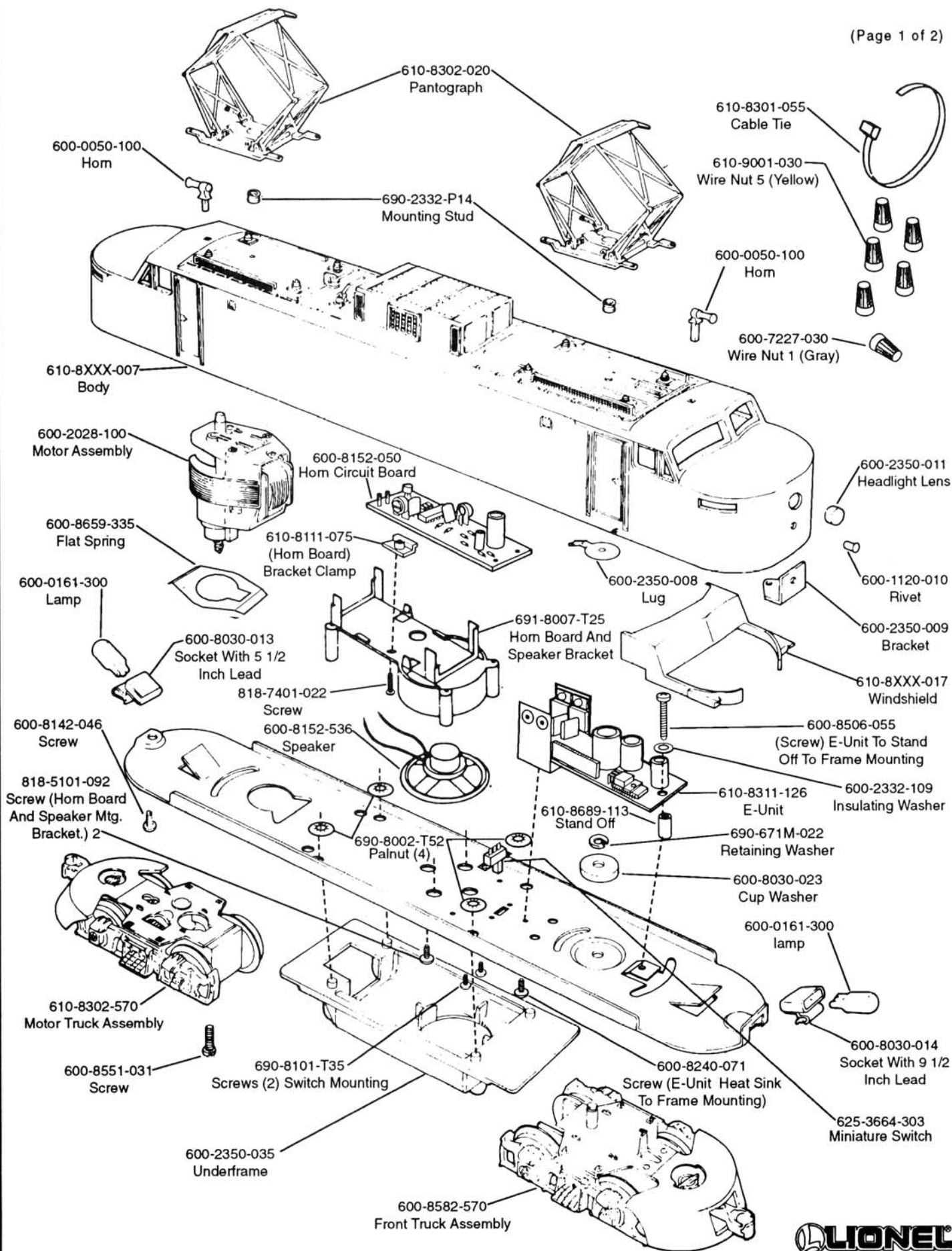
# FRAME ASSEMBLY FOR GP-7, 9, AND 20 LOCOMOTIVES

(Page 2 of 2)



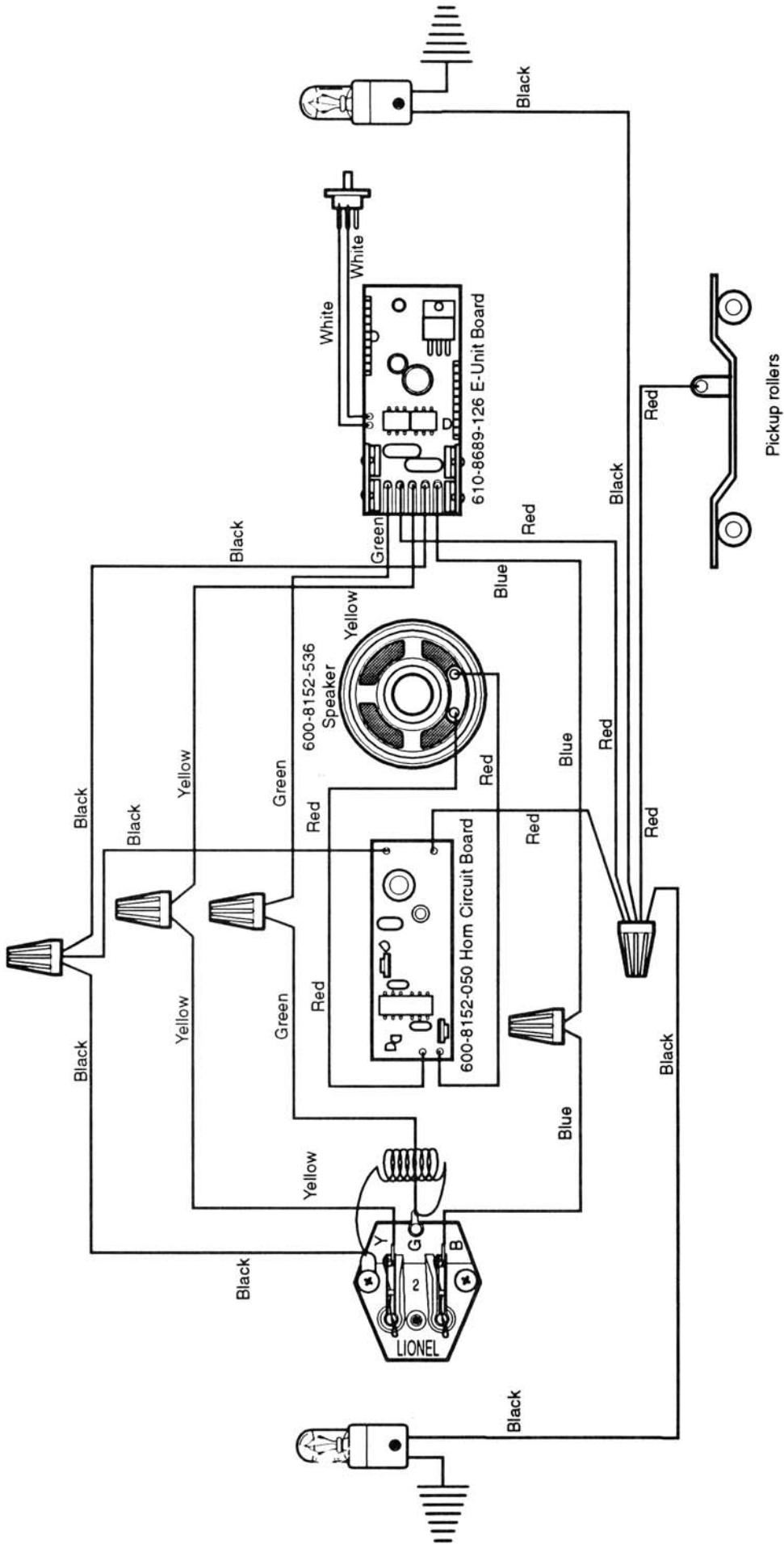
# "LITTLE JOE" ELECTRIC LOCOMOTIVES

(Page 1 of 2)



# 610-8311-001 "LITTLE JOE" ELECTRIC LOCOMOTIVE WIRING SCHEMATIC

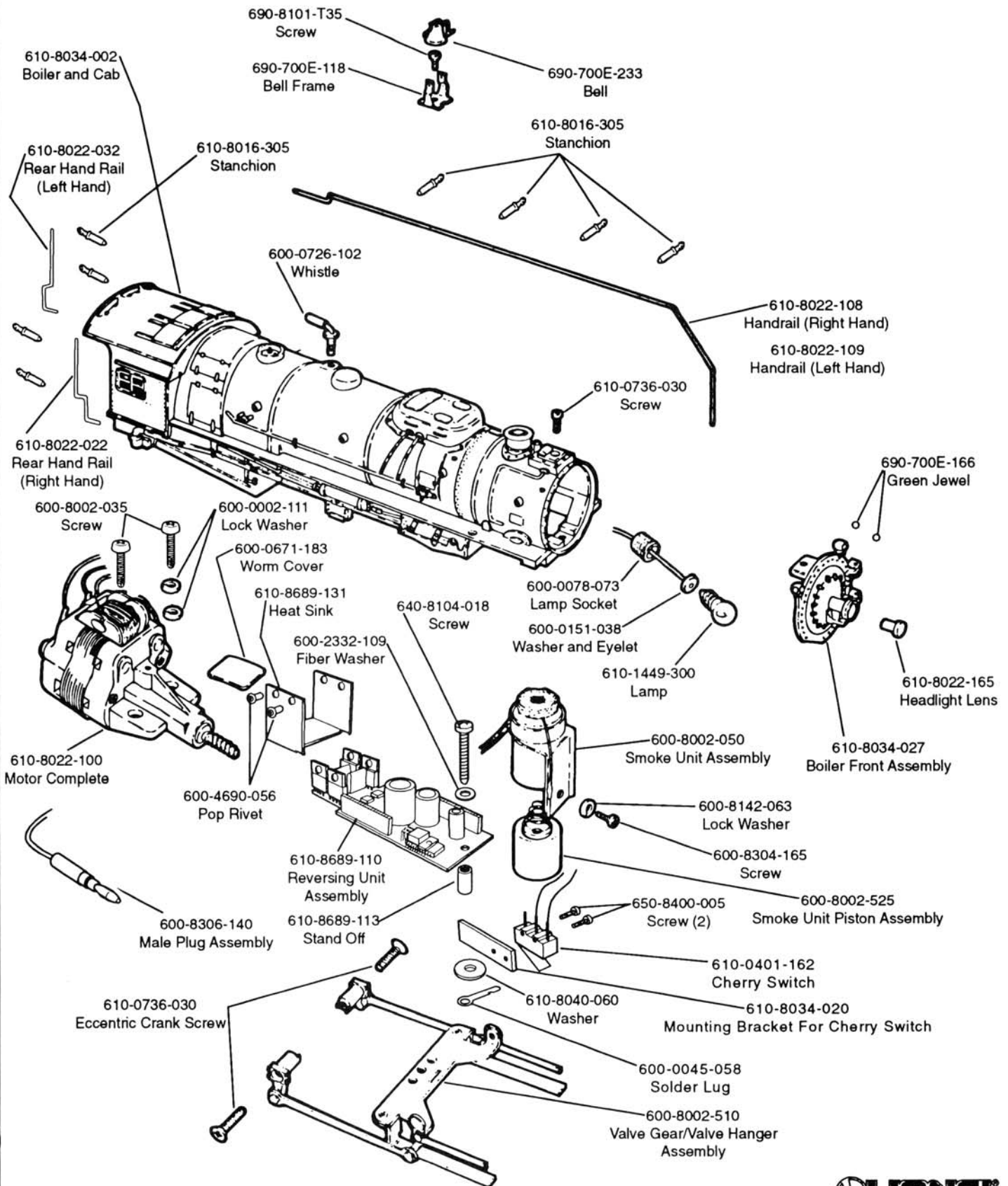
(Page 2 Of 2)



# 2-8-2 MIKADO STEAM LOCOMOTIVE

## 610-8034-001 SANTA-FE

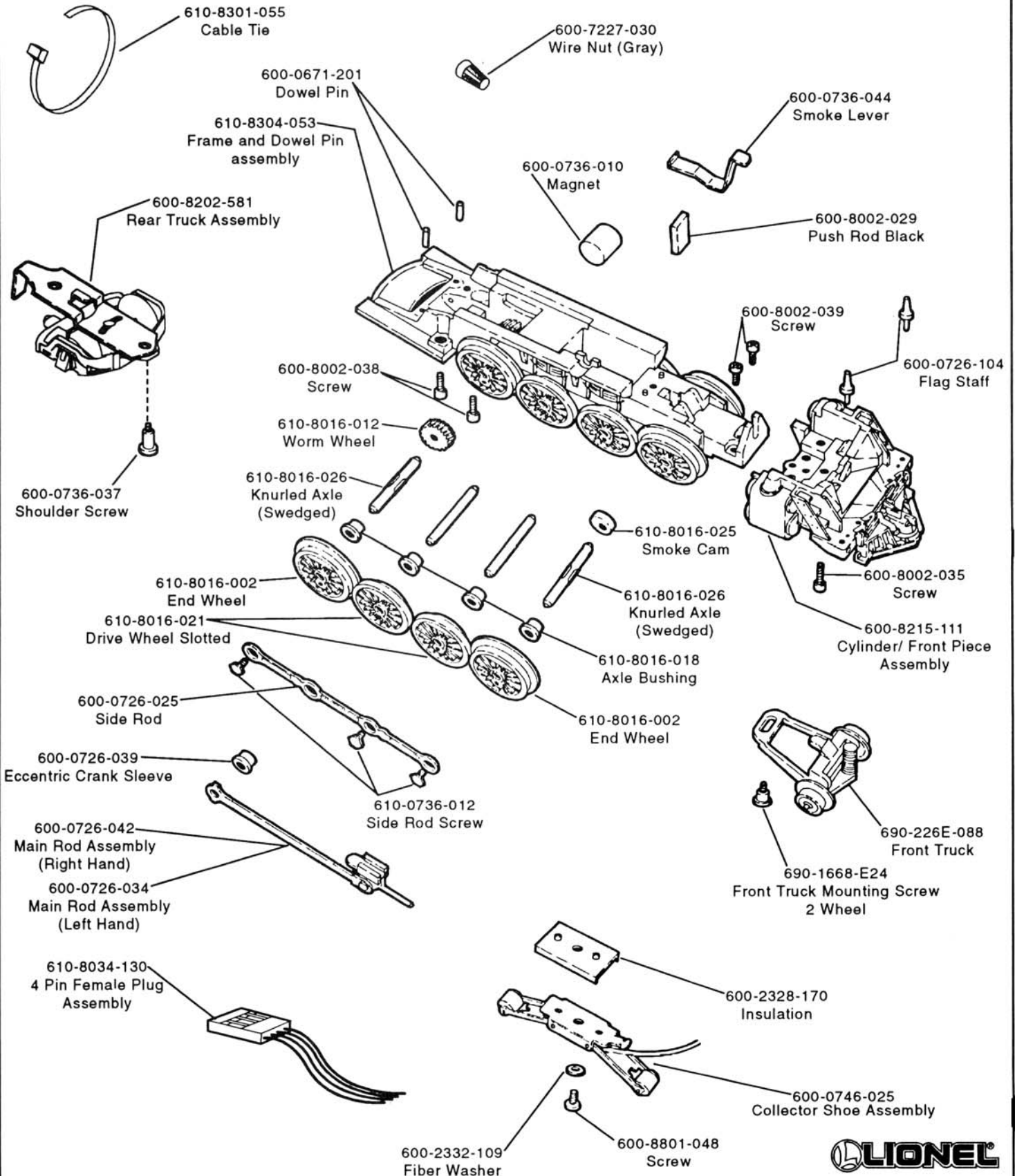
(Page 1 of 3)



# 2-8-2 MIKADO STEAM LOCOMOTIVE

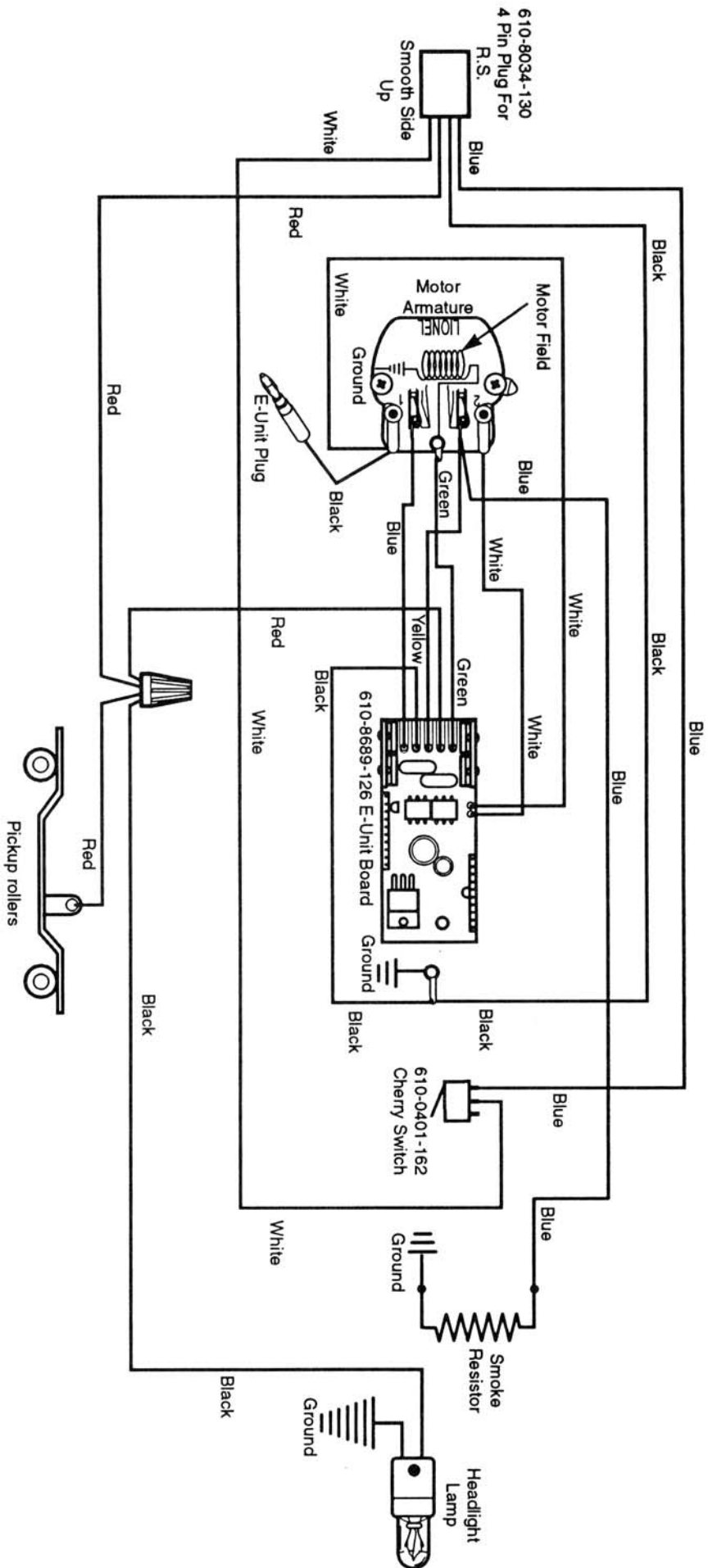
## 610-8034-001 SANTA-FE

(Page 2 of 3)



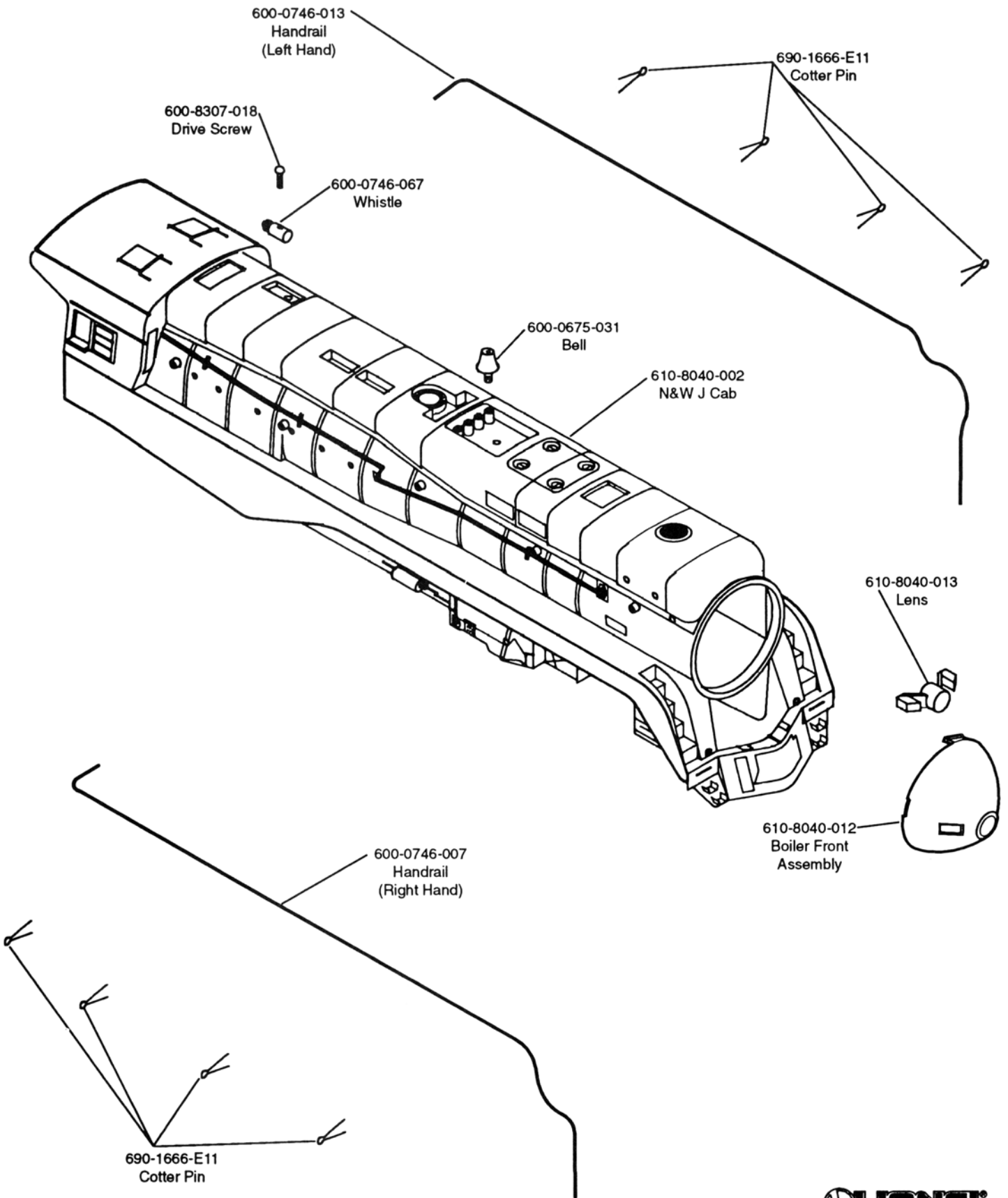


# 610-8034-001 2-8-2 SANTA-FE STEAM LOCOMOTIVE WIRING SCHEMATIC



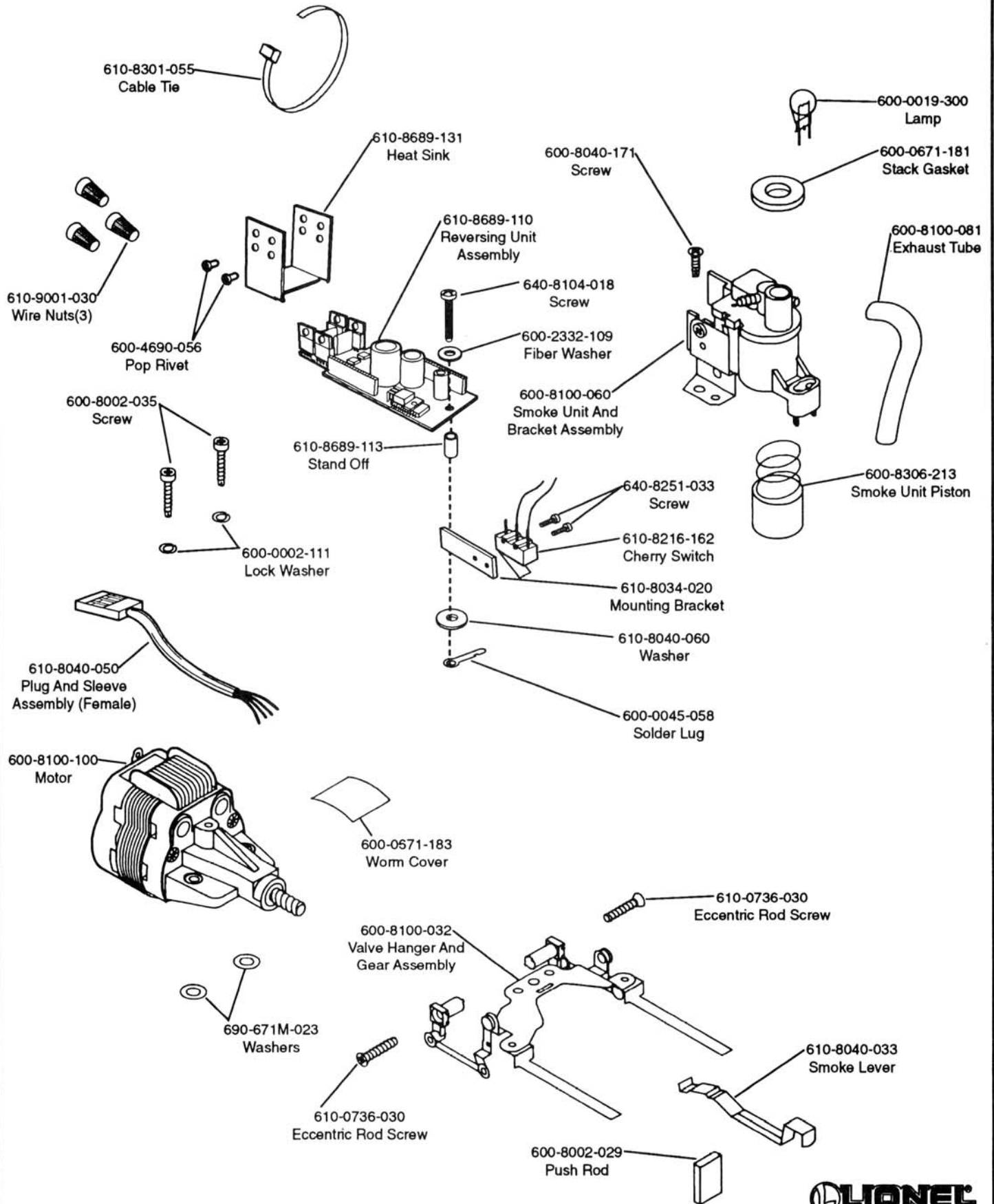
# 610-8040-001 4-8-4 N.&W. J CLASS LOCOMOTIVE

(Page 1 of 4)



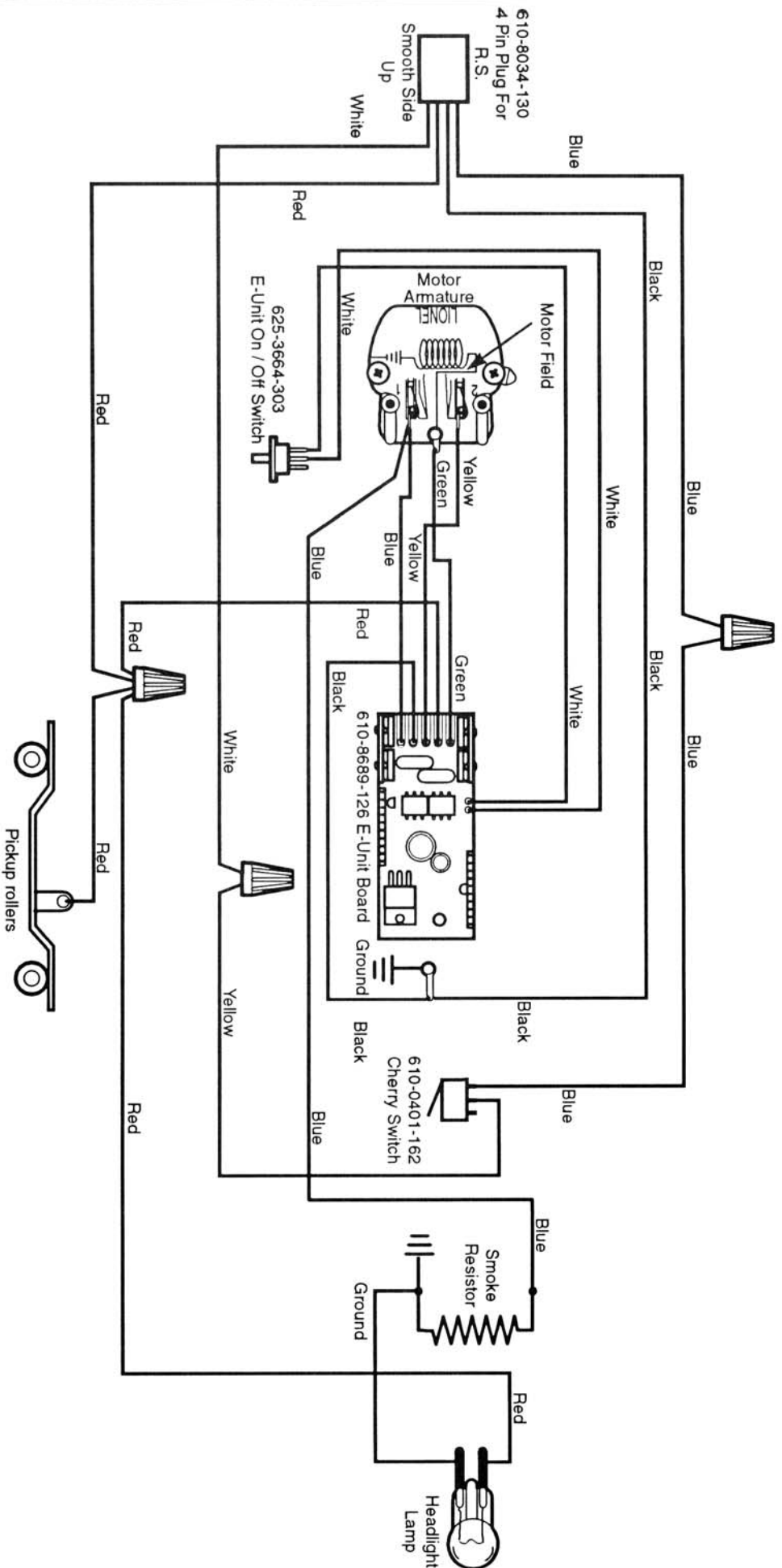
# 610-8040-001 4-8-4 N.&W. J CLASS LOCOMOTIVE

( Page 2 of 4 )



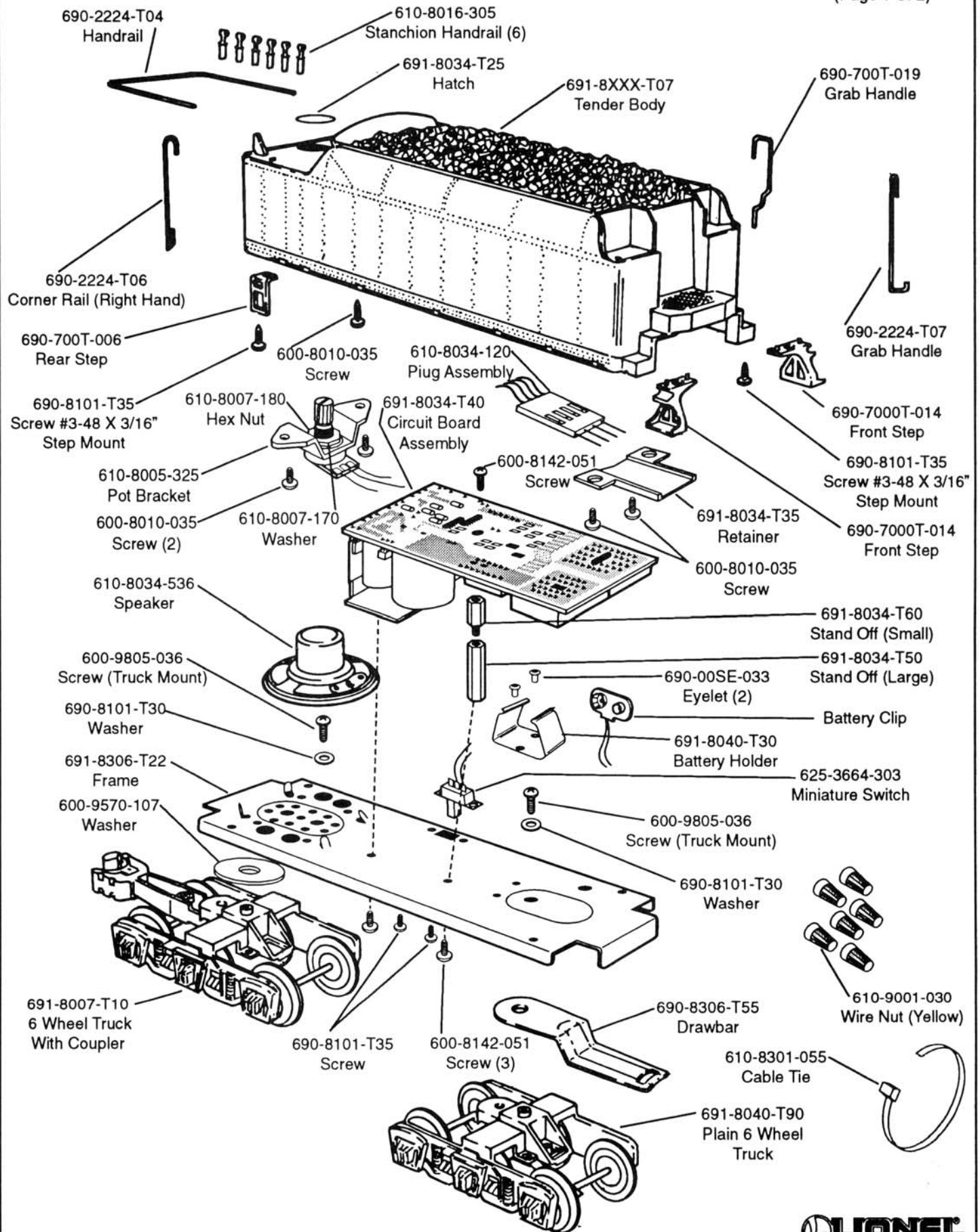


# 610-8040-001 N & W J CLASS STEAM LOCOMOTIVE WIRING SCHEMATIC

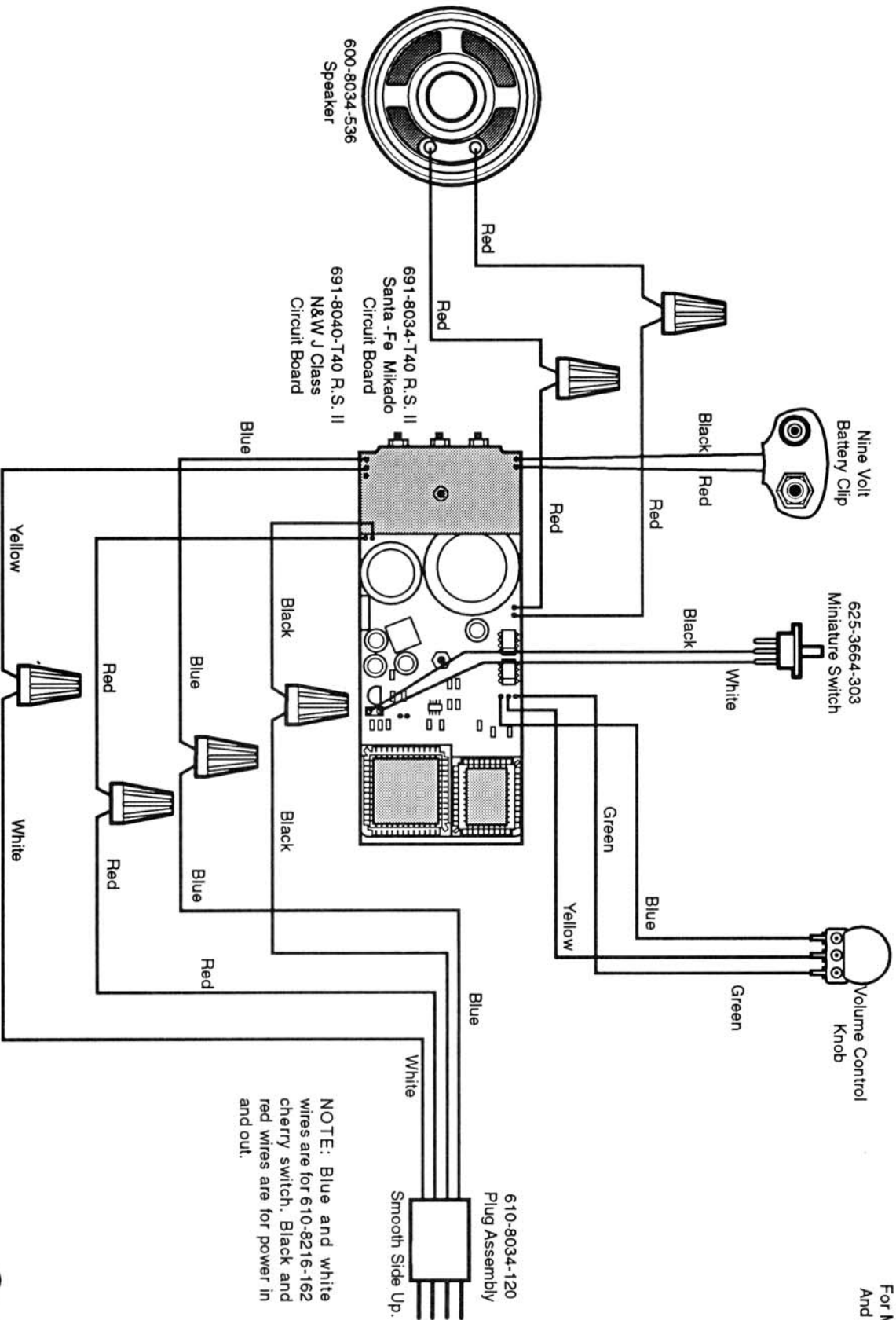


# 691-8034-T01 COAL TENDER SANTA-FE

(Page 1 Of 2)



# 691-8034-T01 SANTA-FE MIKADO COAL TENDER 691-8040-T01 N & W J CLASS COAL TENDER WIRING SCHEMATIC

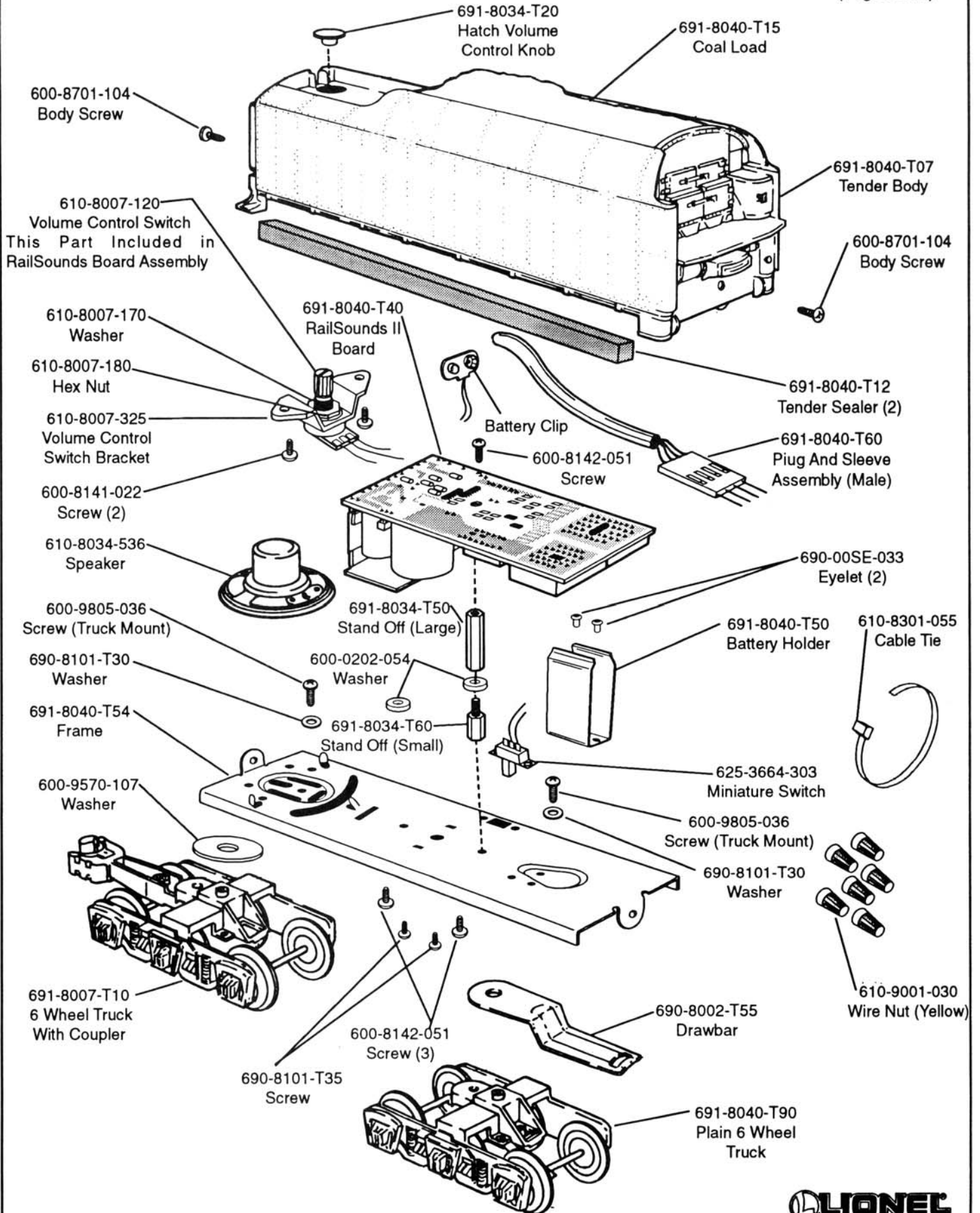


NOTE: Blue and white wires are for 610-8216-162 cherry switch. Black and red wires are for power in and out.



# 691-8040-T01 TENDER N&W J CLASS

(Page 1 Of 2)





# 1-2703, 1-2847, ICING STATION

(Page 1 of 1)

