



PARTS LIST AND EXPLODED DIAGRAMS SUPPLEMENT 29

*Produced by
Lionel® Trains, Inc.
50625 Richard W. Boulevard
Chesterfield, MI 48051-2493*

This supplement is designed to fit with two different publications, the *Lionel Service Manual 1977 to 1986* and *Lionel Parts List and Exploded Diagrams*.

Each page has two numbers. The number for the *Lionel Service Manual* is indicated by parentheses, e.g., (B-60). The number which applies to *Lionel Parts Lists and Exploded Diagrams* is above the parentheses, e.g., S29:1-1

**Copyright© 1995
By Lionel Trains, Inc.
All Rights Reserved**

INDEX TO LIONEL PARTS LISTS AND EXPLODED DIAGRAMS Supplement 29

ALPHABETICAL INDEX

O AND O27 GAUGES

Diesel Engines

Dash 8 40-C C&NW S29:1-1,2,3,4
601-8219-000
GP-7 N.Y.C. M.P. S29:1-5,6,7
601-8513-000, 601-8514-000
RSC-3, Seaboard, RSD-4 Penn S29:1-8,9,10,11,12
601-8838-000, 601-8832-000

Rolling Stock & Operating Cars

Animated Gondolas S29:11-2
610-6628-001, 601-6674-000,
601-6712-000
Cherry Picker Car S29:11-3
601-6680-000
Maxi-Stack Flatcars S29:11-4,5
601-6360-000, 601-6912-000
601-6936-000
Poultry Car, Pork Car S29:11-1
601-9819-000, 601-9822-000

Accessories

Operating Sawmill S29:14-1
601-2873-000
Operating "O" Gauge Switches S29:16-1,2
602-3010-000 L.H.
602-3011-000 R.H.

NUMERICAL LISTINGS

601-2873-000	S29:14-1	601-8513-000	S29:1-5,6,7
601-6360-000	S29:11-4,5	601-8514-000	S29:1-5,6,7
601-6674-000	S29:11-2	601-8832-000	S29:1-8,9,10,11,12
601-6680-000	S29:11-3	601-8838-000	S29:1-8,9,10,11,12
601-6712-000	S29:11-2	601-9819-000	S29:11-1
601-6912-000	S29:11-4,5	601-9822-000	S29:11-1
601-6936-000	S29:11-4,5	602-3010-000	S29:16-1,2
601-8219-000	S29:1-1,2,3,4	602-3011-000	S29:16-1,2
		610-6628-001	S29:11-2

LIONEL SERVICE MANUAL

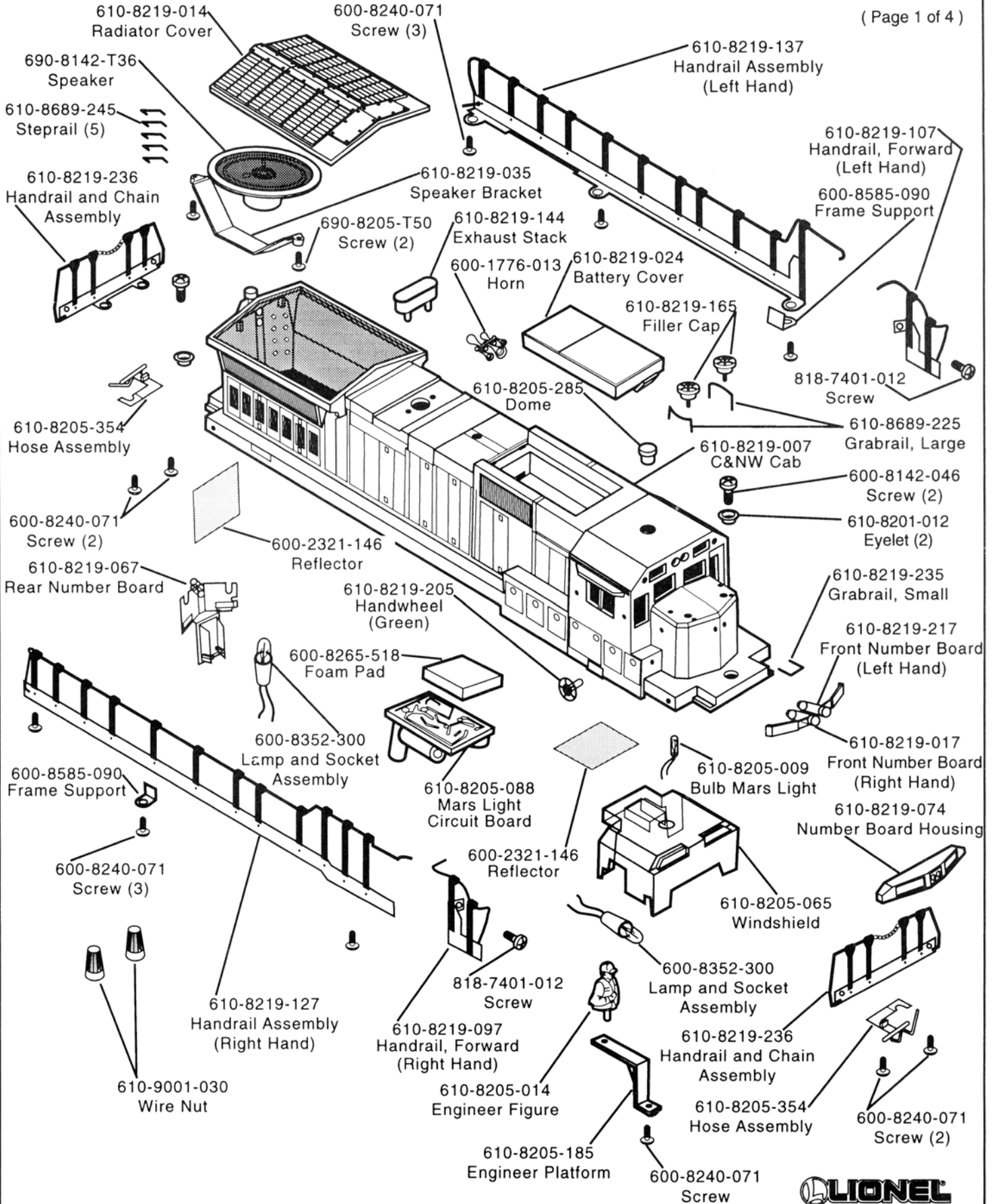
INDEX BY LETTER

Supplement 29

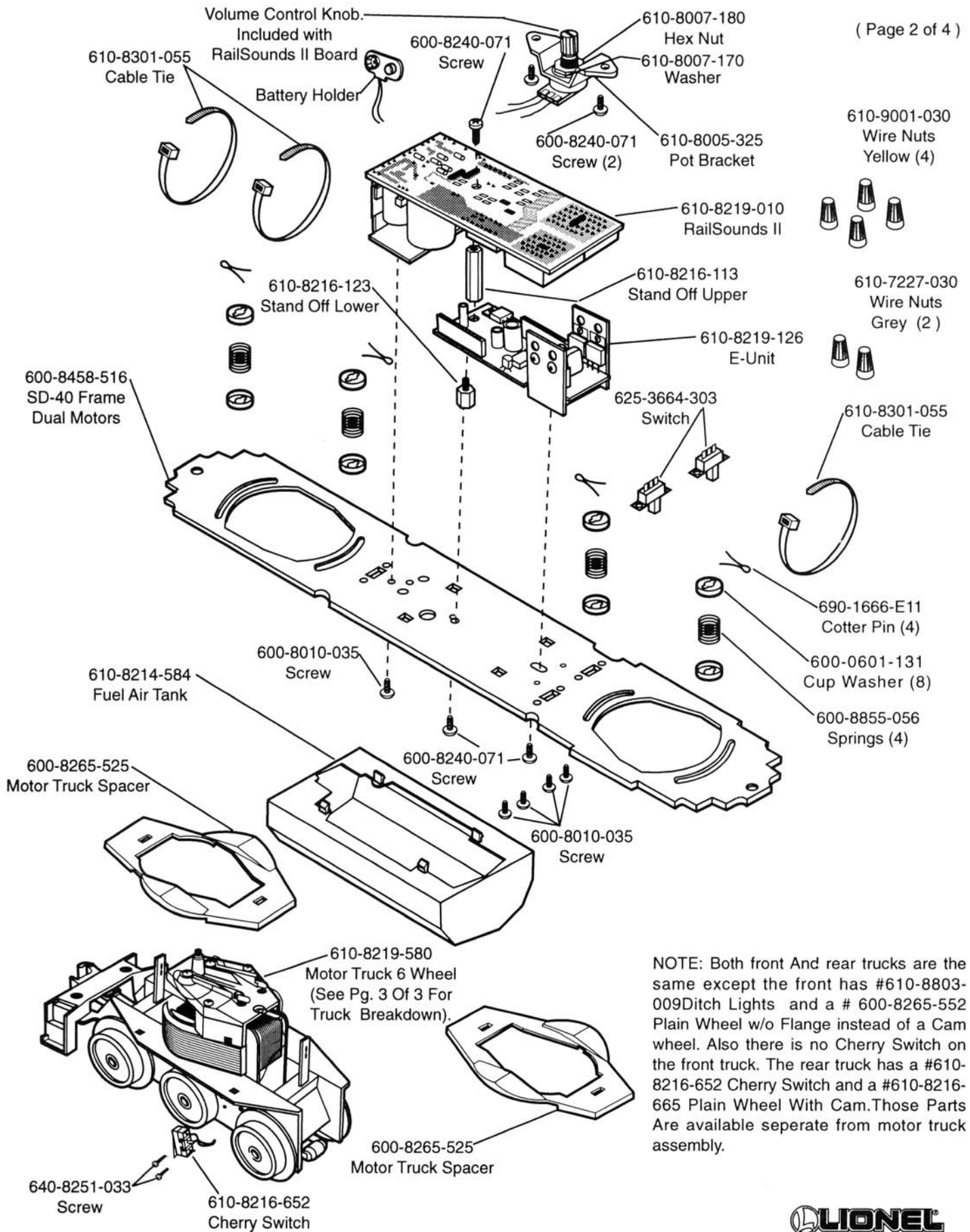
Description	Drawing
Diesel Locomotives	
Dash 8 40C C&NW	(B-60),(B-60-2),(B-60-3),(B-60-4)
601-8219-000	
GP-7, N.Y.C. , M.P.	(B-61),(B-61-2),(B-61-3)
601-8513-000, 601-8514-000	
RSC-3 Seaboard, RSD-4 Penn	(B-62),(B-62-2),(B-62-3)
601-8838-000, 601-8832-000	(B-62-4),(B-62-5)
Rolling Stock & Operating Cars	
Animated Gondolas	(F-119)
610-6628-001, 601-6674-000	
601-6712-000	
Cherry Picker Car	(F-120)
601-6680-000	
Maxi-Stack Flatcars	(F-121),(F-121-2)
601-6360-000, 601-6912-000	
601-6936-000	
Poultry Car, Pork Car	(F-118)
601-9819-000, 601-9822-000	
Accessories	
Operating Sawmill	(I-51)
601-2873-000	
Operating O Gauge Switches	(G-3),(G-4)
602-3010-000 L.H., 602-3011-000 R.H.	

601-8219-000 C&NW DASH8 40-C WITH RAILSOUNDS II

(Page 1 of 4)



601-8219-000 C&NW DASH8 40-C WITH RAILSOUNDS II



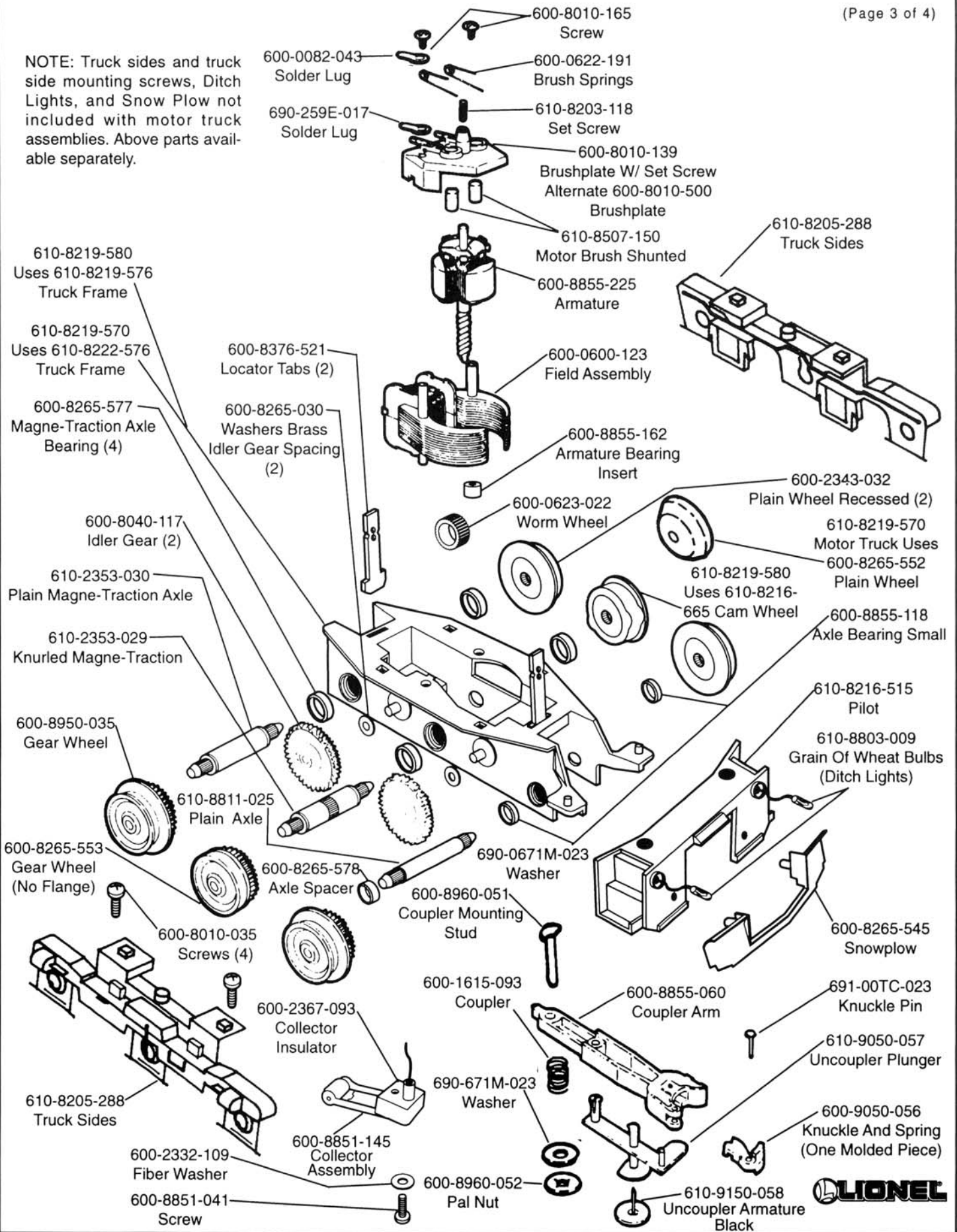
NOTE: Both front And rear trucks are the same except the front has #610-8803-009Ditch Lights and a # 600-8265-552 Plain Wheel w/o Flange instead of a Cam wheel. Also there is no Cherry Switch on the front truck. The rear truck has a #610-8216-652 Cherry Switch and a #610-8216-665 Plain Wheel With Cam.Those Parts Are available separate from motor truck assembly.



610-8219-570 MOTOR TRUCK W/O CAM WHEEL OR SWITCH

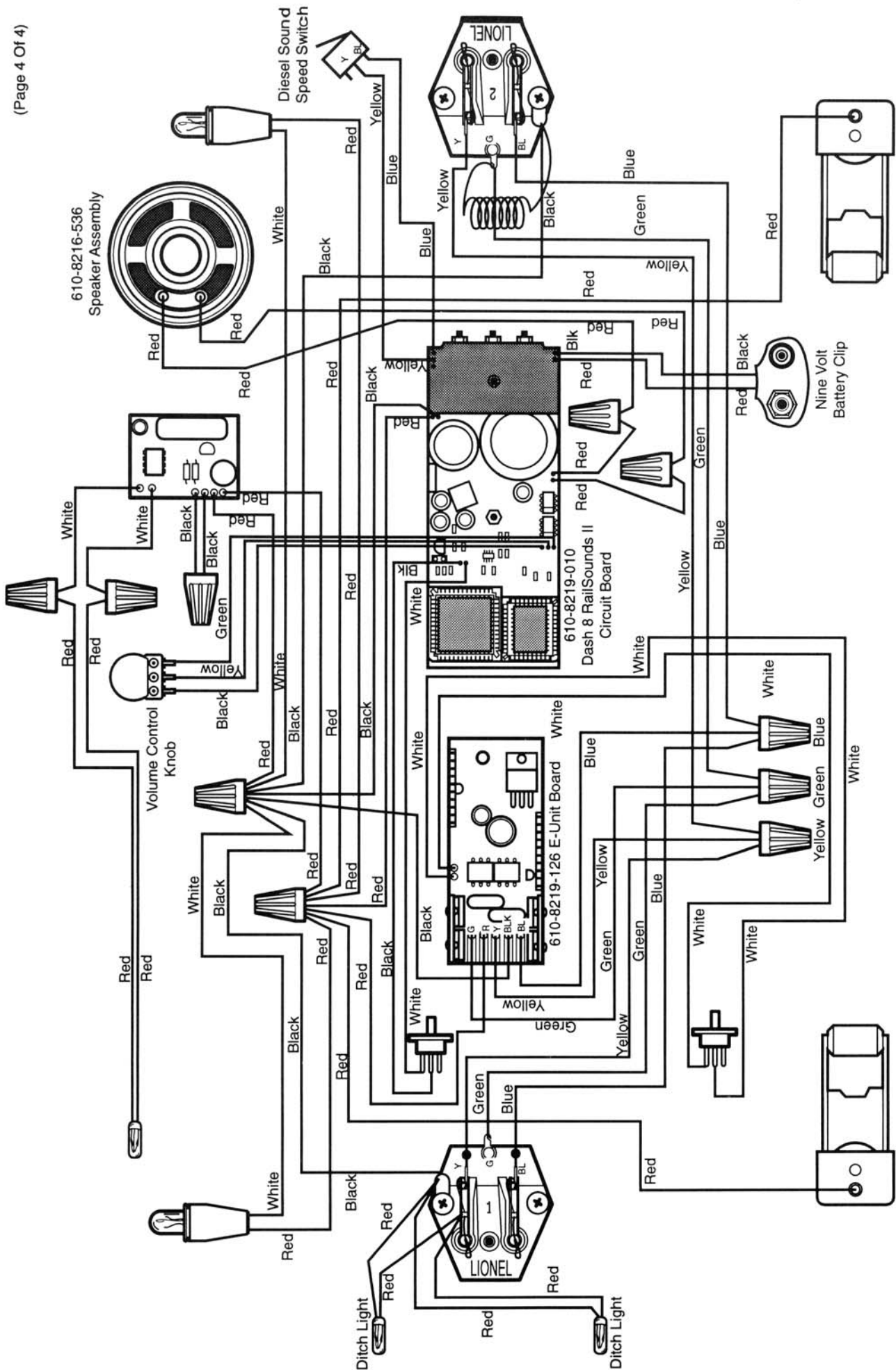
610-8219-580 MOTOR TRUCK W/ CAM WHEEL AND SWITCH

NOTE: Truck sides and truck side mounting screws, Ditch Lights, and Snow Plow not included with motor truck assemblies. Above parts available separately.



601-8219-000 C&NW DASH 8 WITH RAILSOUNDS II WIRING SCHEMATIC

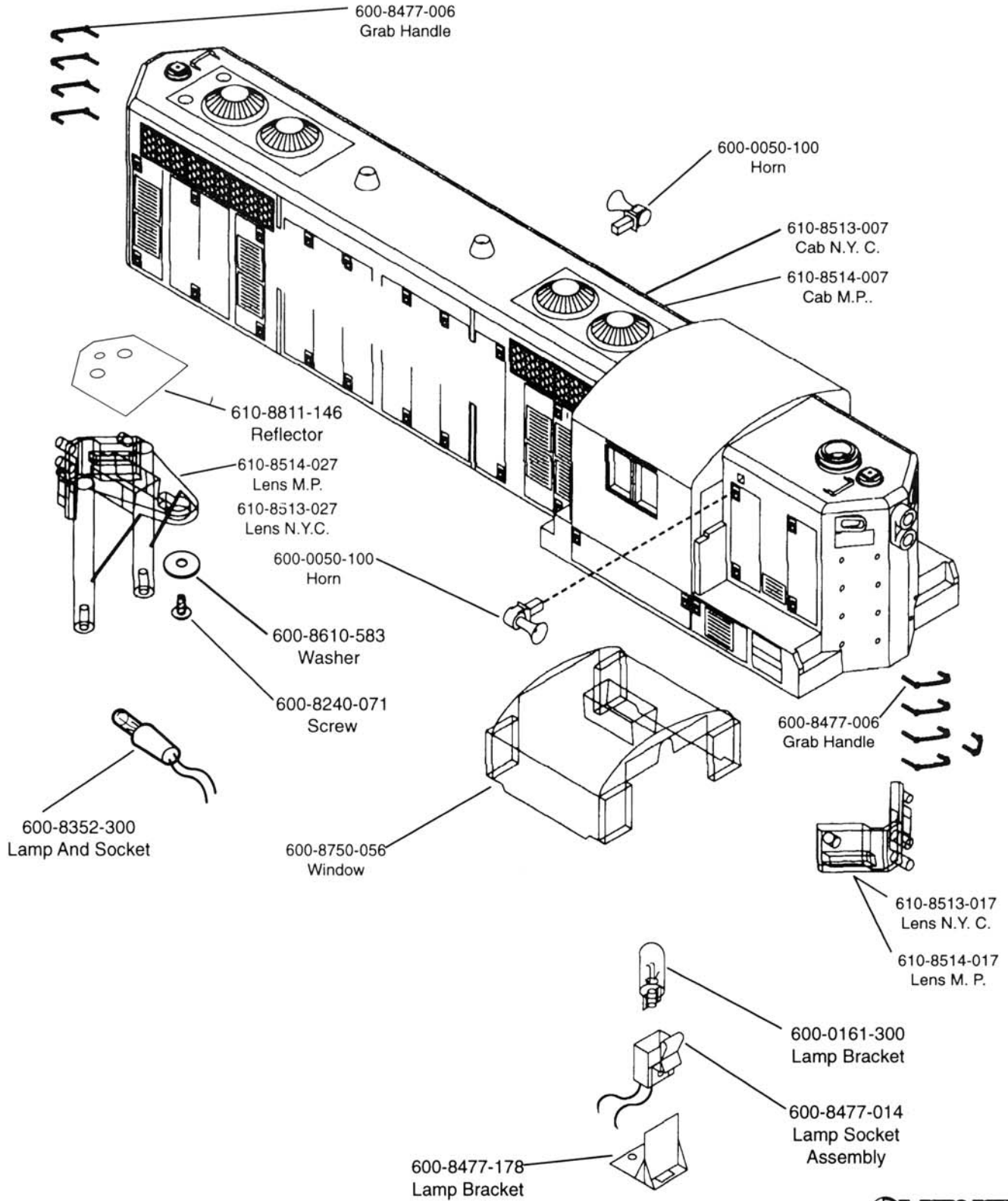
(Page 4 Of 4)



GP-7 LOCOMOTIVE

601-8513-000 N.Y.C. GP-7 601-8514-000 M.P. GP-7

(Page 1 of 3)

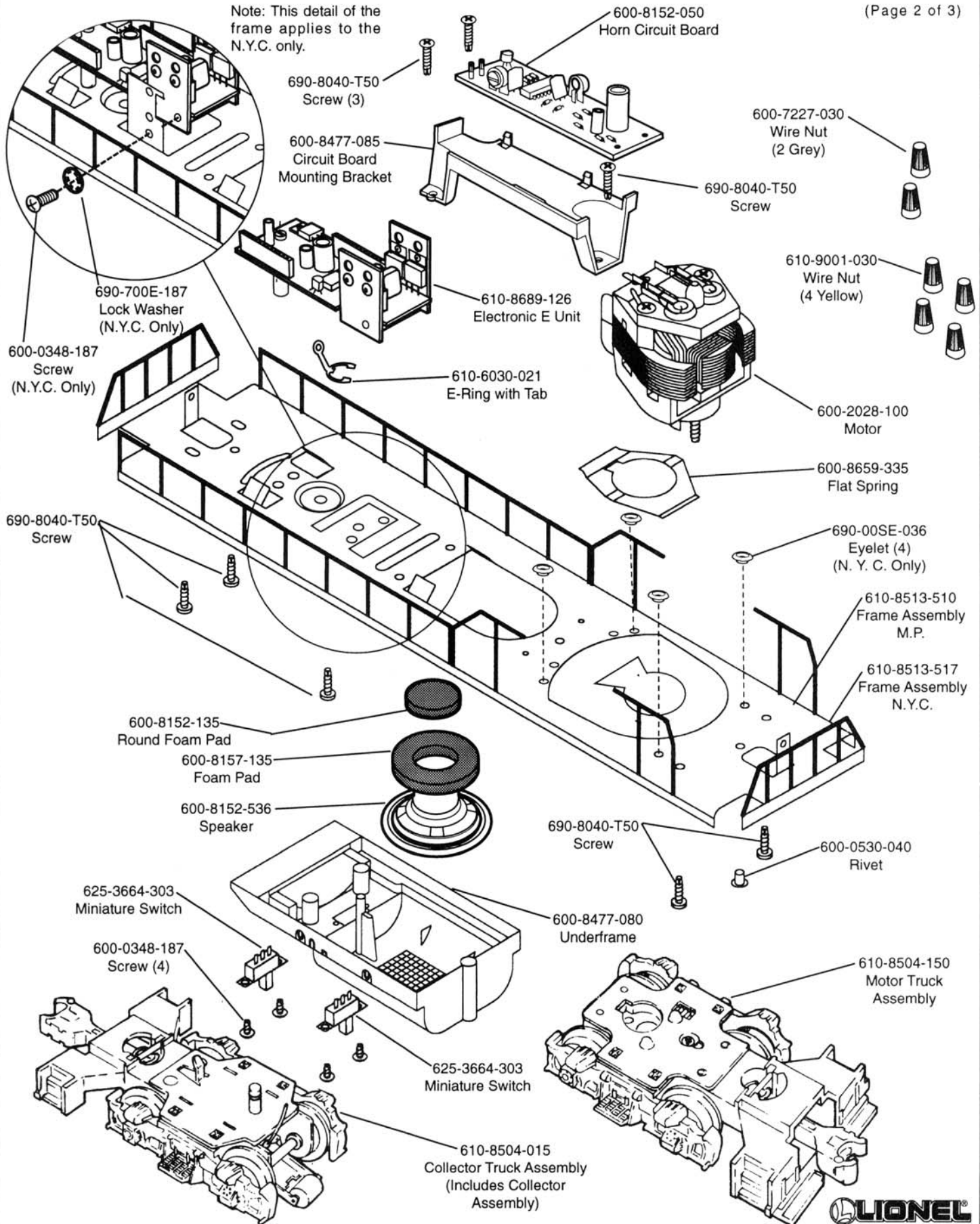


GP-7 LOCOMOTIVE

601-8513-000 N.Y.C. GP-7 601-8514-000 M.P. GP-7

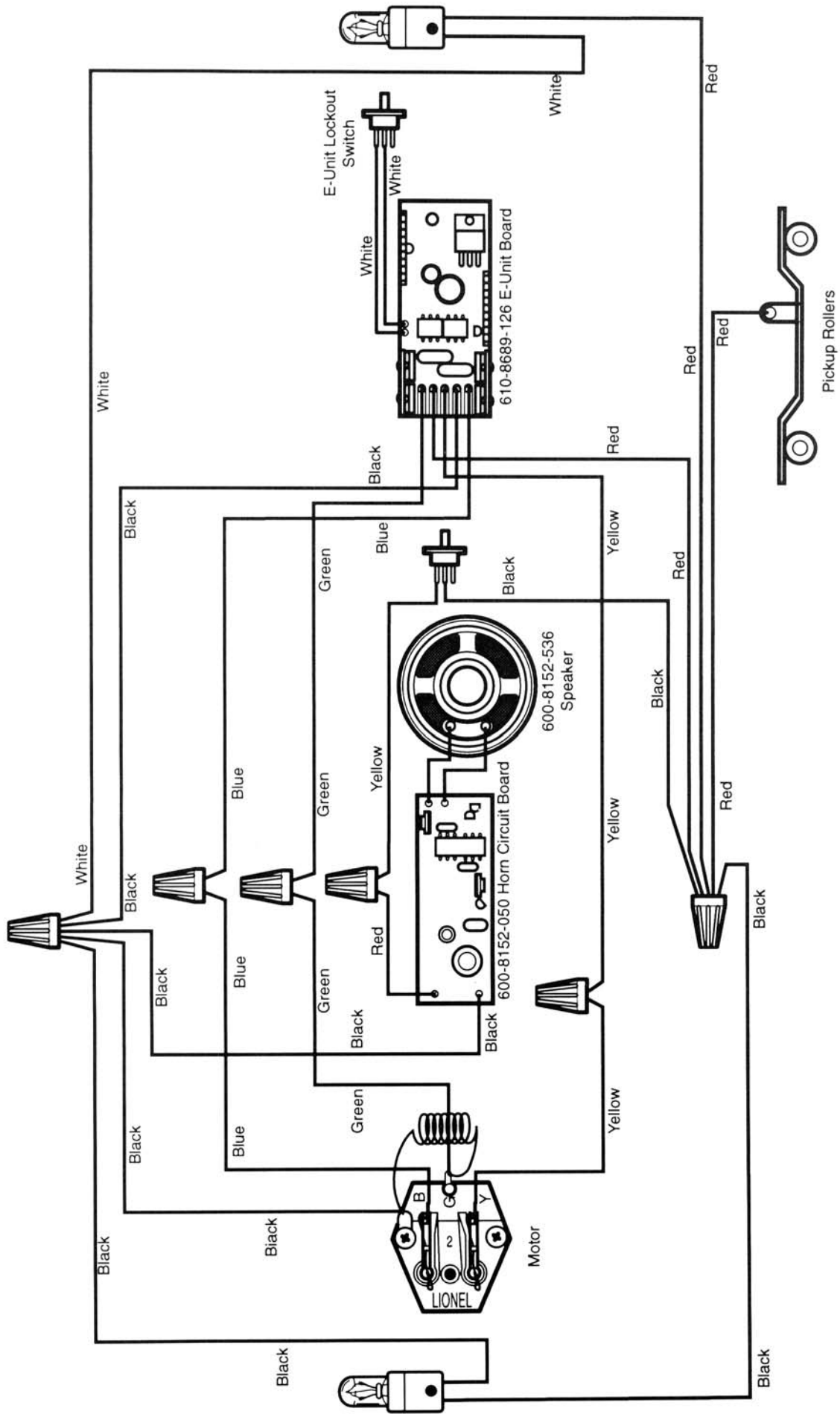
(Page 2 of 3)

Note: This detail of the frame applies to the N.Y.C. only.

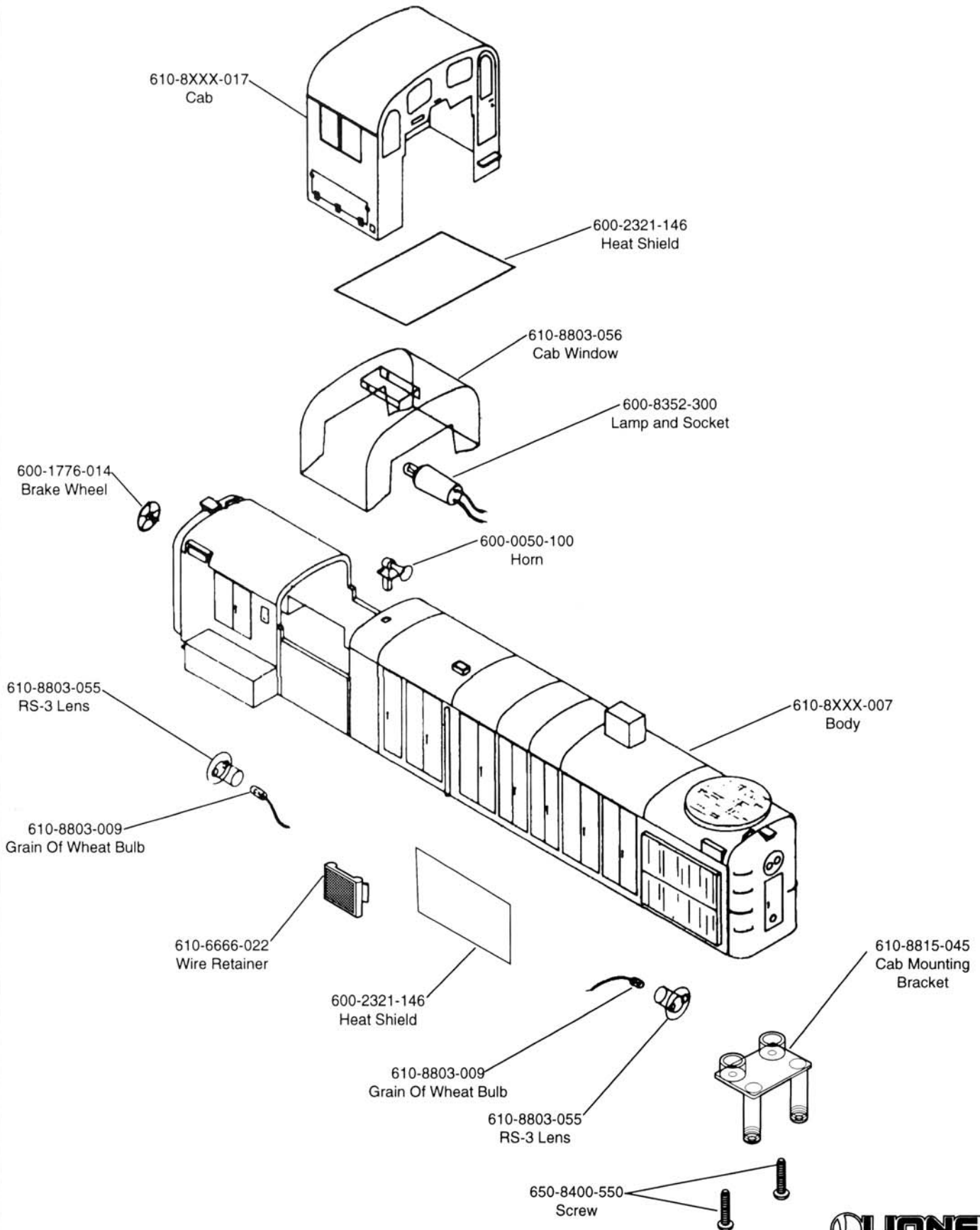


601-8513-000 N.Y.C. GP-7 / 601-8514-000 M.P. GP-7 WIRING SCHEMATIC

(Page 3 Of 3)

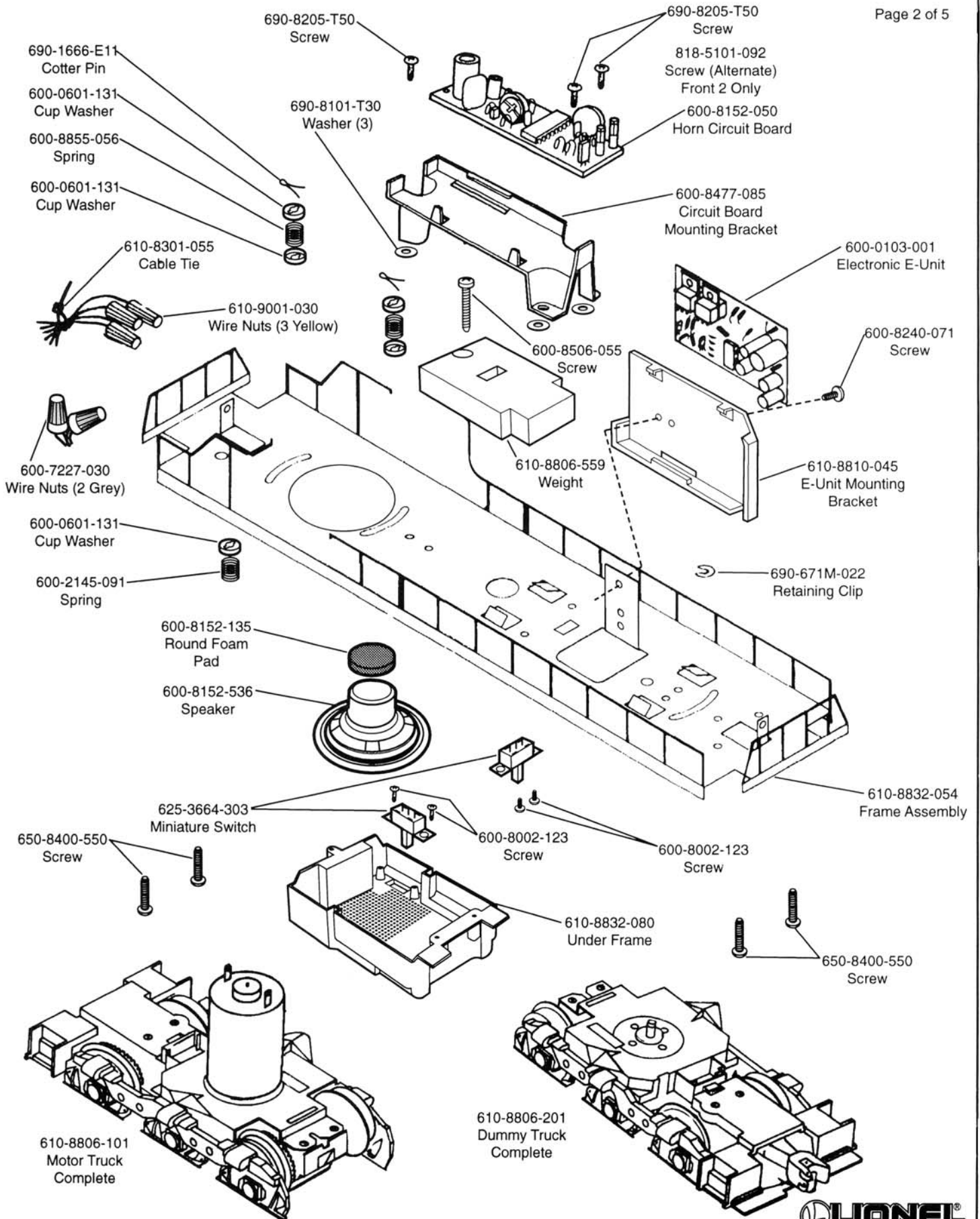


601-8832-000 PENNSYLVANIA RSD-4 DIESEL 601-8838-000 SEABOARD RSC-3 DIESEL

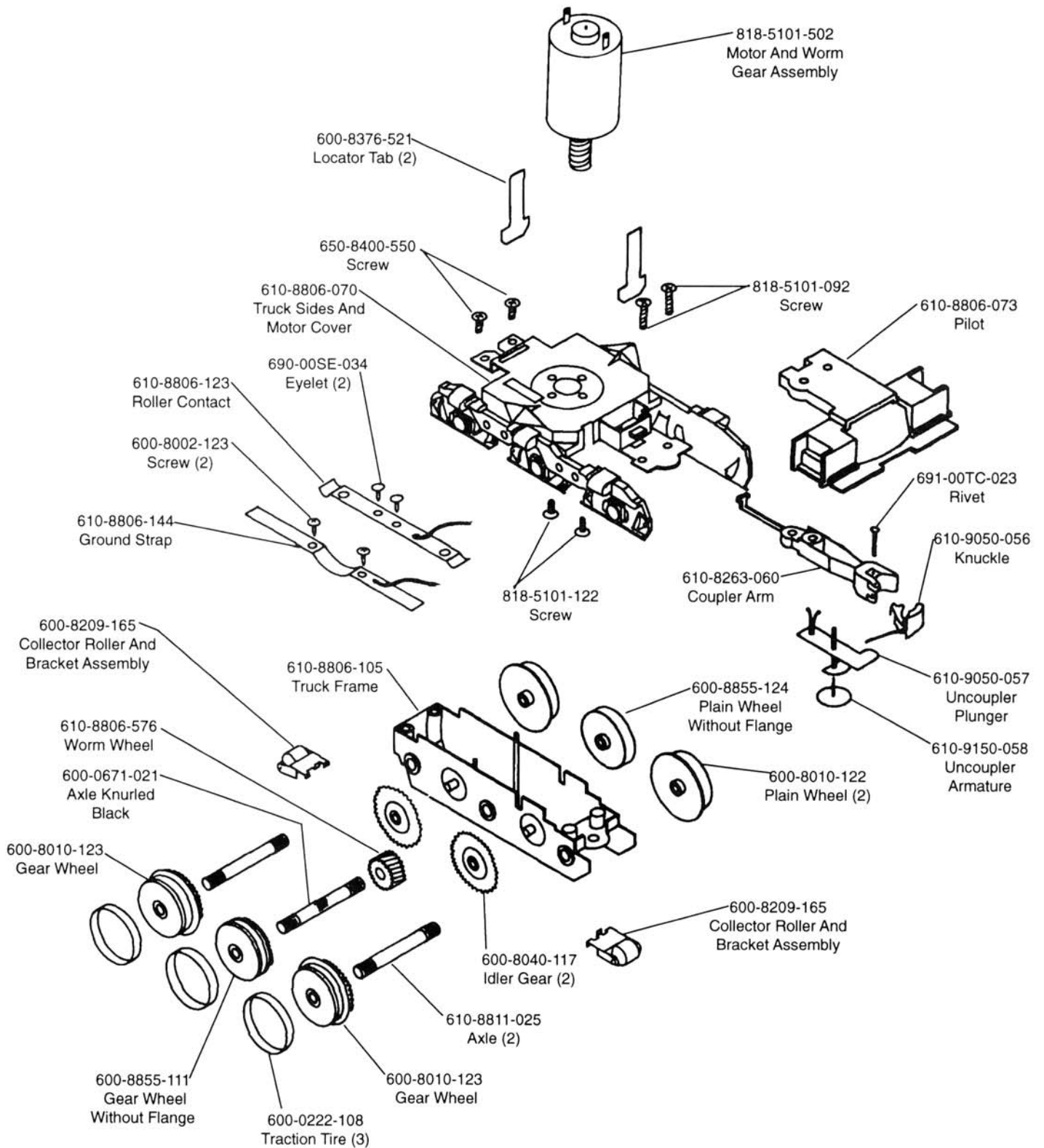


601-8832-000 PENNSYLVANIA RSD-4 DIESEL

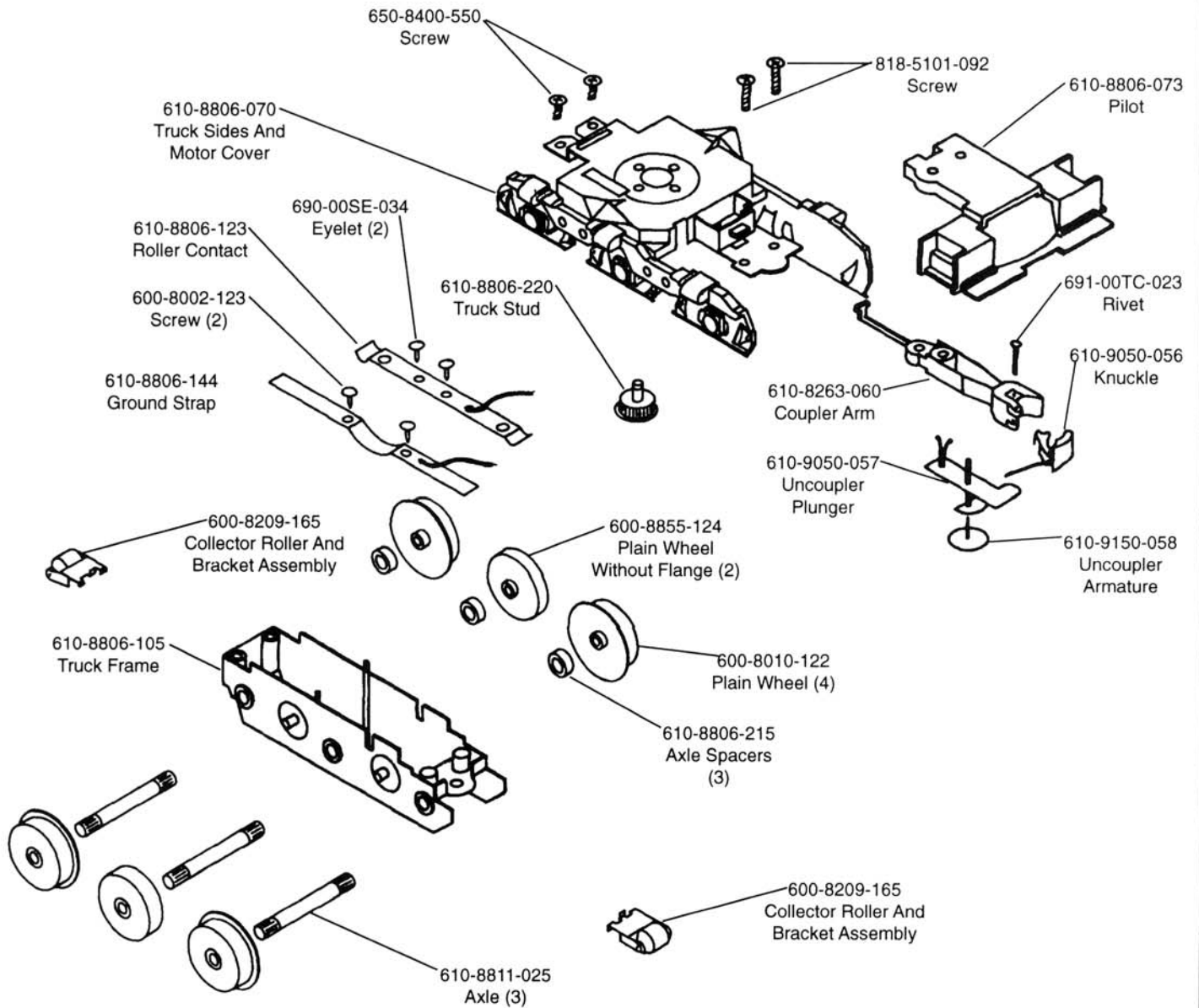
601-8838-000 SEABOARD RSC-3 DIESEL



610-8806-101 SIX WHEEL CAN MOTOR TRUCK

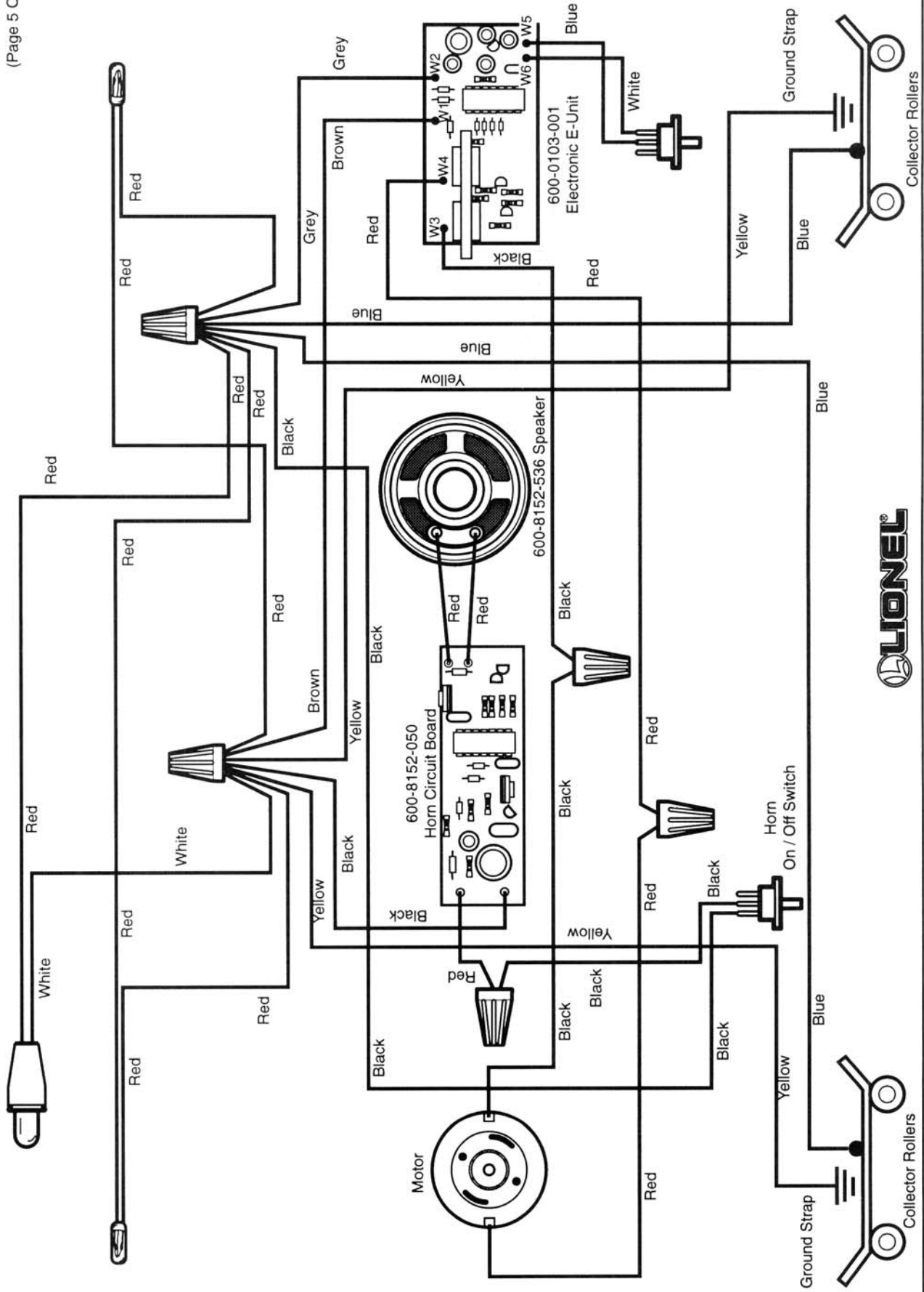


610-8806-201 SIX WHEEL PLAIN COLLECTOR TRUCK

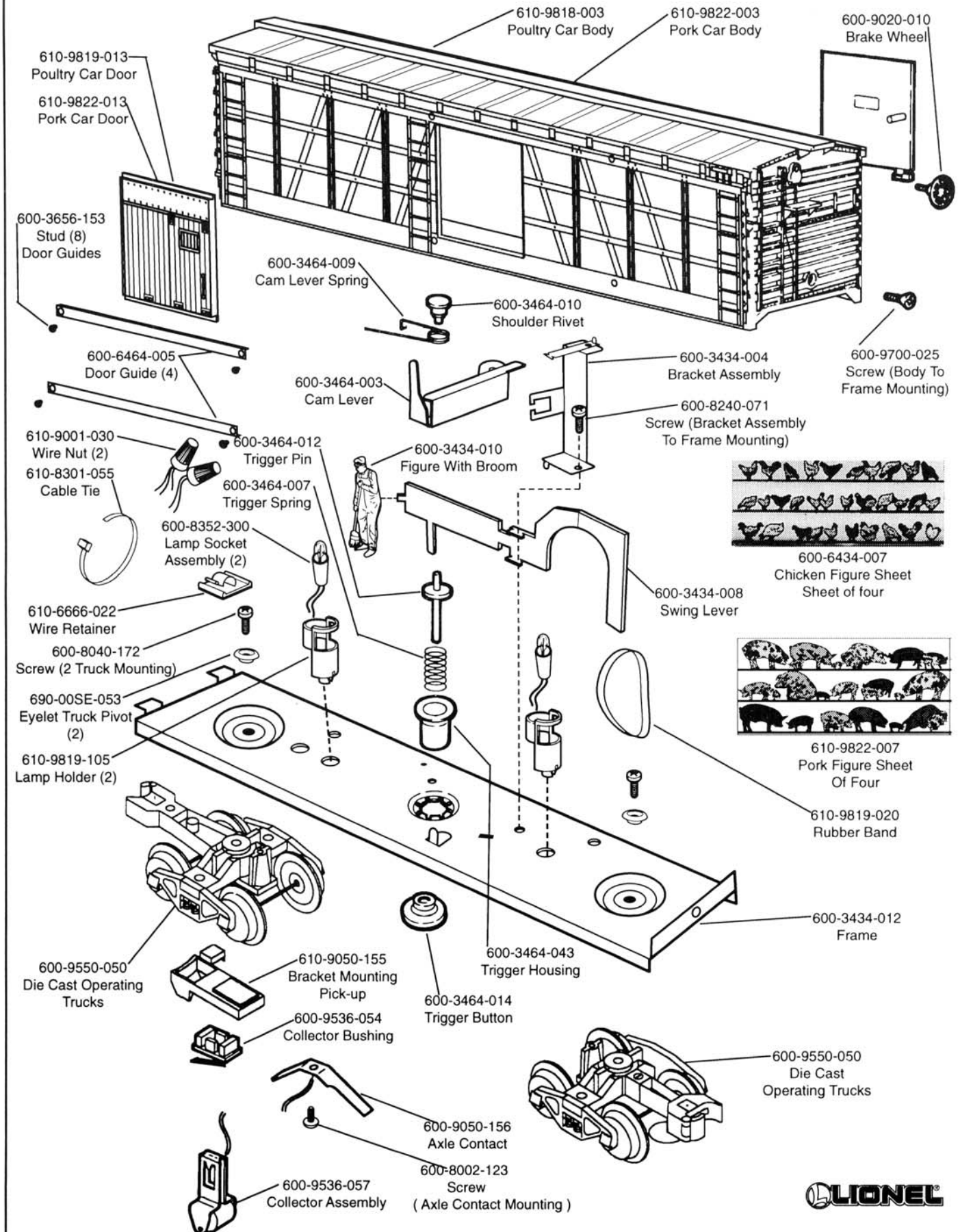


601-8832-000 PENNSYLVANIA RSD-4 DIESEL 601-8838-000 SEABOARD RSC-3 DIESEL WIRING SCHEMATIC

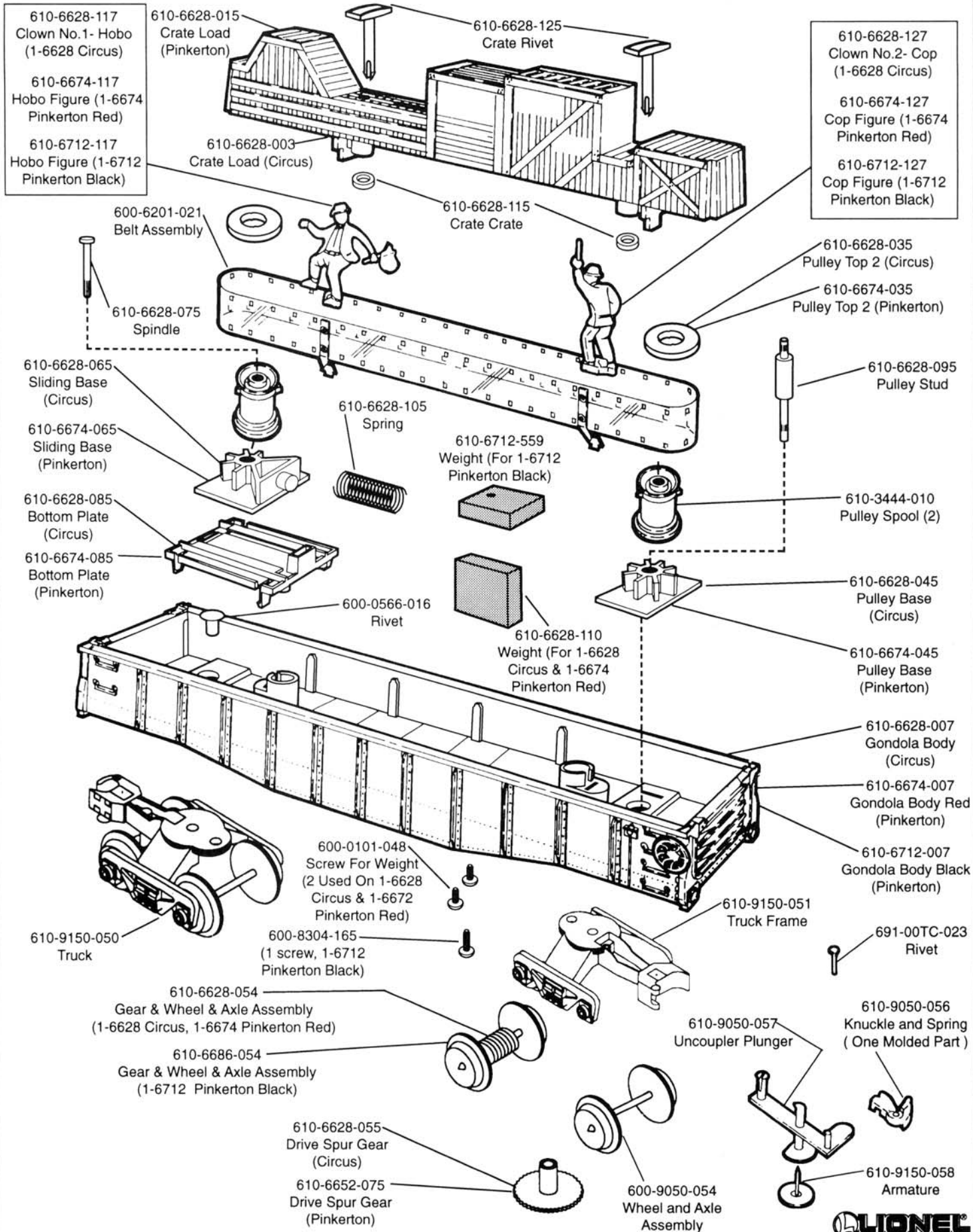
(Page 5 Of 5)



601-9819-000 POULTRY CAR / 601-9822-000 PORK CAR



610-6628-001 ANIMATED GONDOLA CIRCUS
601-6674-000 ANIMATED GONDOLA PINKERTON (RED)
601-6712-000 ANIMATED GONDOLA PINKERTON (BLACK)



610-6628-117
Clown No.1- Hobo
(1-6628 Circus)

610-6674-117
Hobo Figure (1-6674
Pinkerton Red)

610-6712-117
Hobo Figure (1-6712
Pinkerton Black)

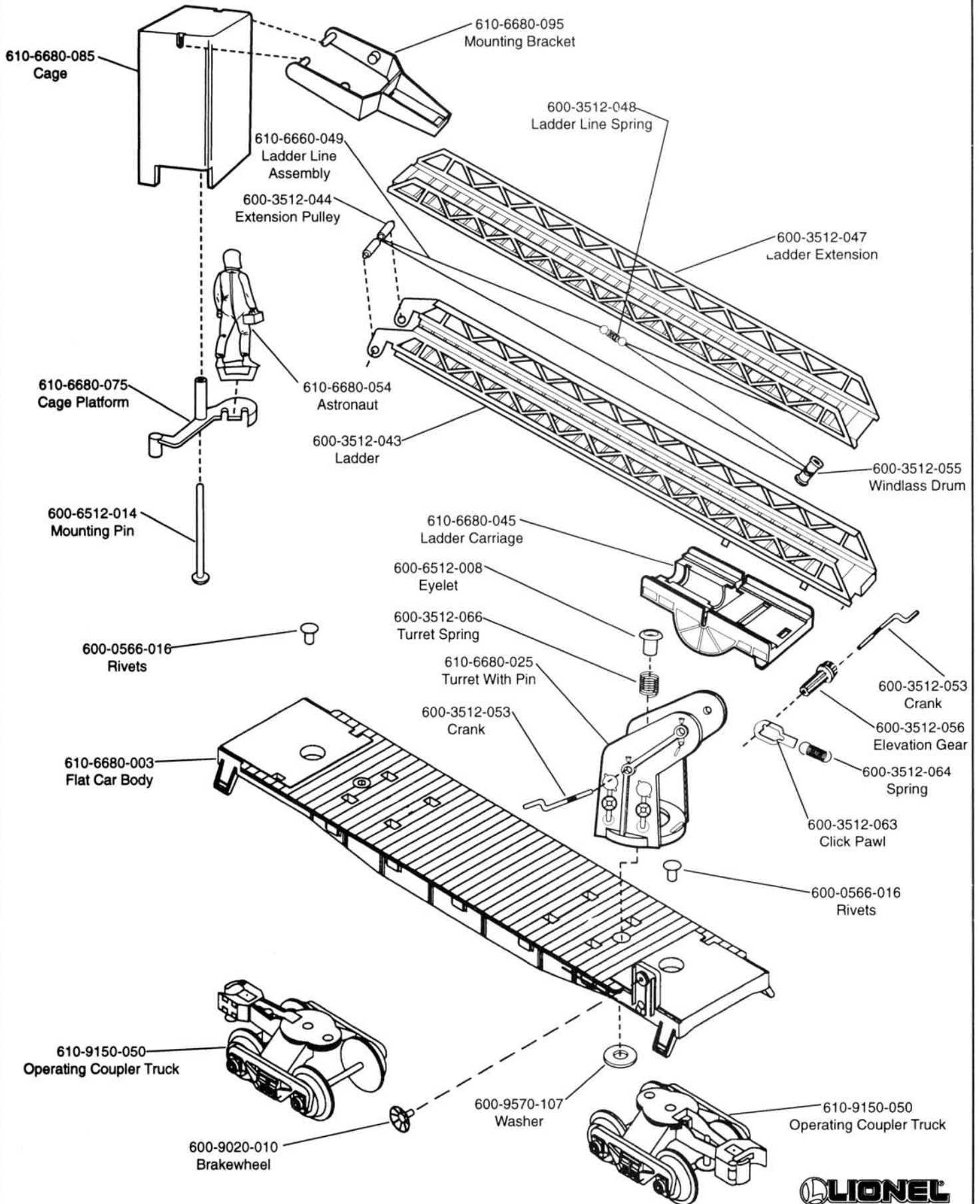
610-6628-127
Clown No.2- Cop
(1-6628 Circus)

610-6674-127
Cop Figure (1-6674
Pinkerton Red)

610-6712-127
Cop Figure (1-6712
Pinkerton Black)

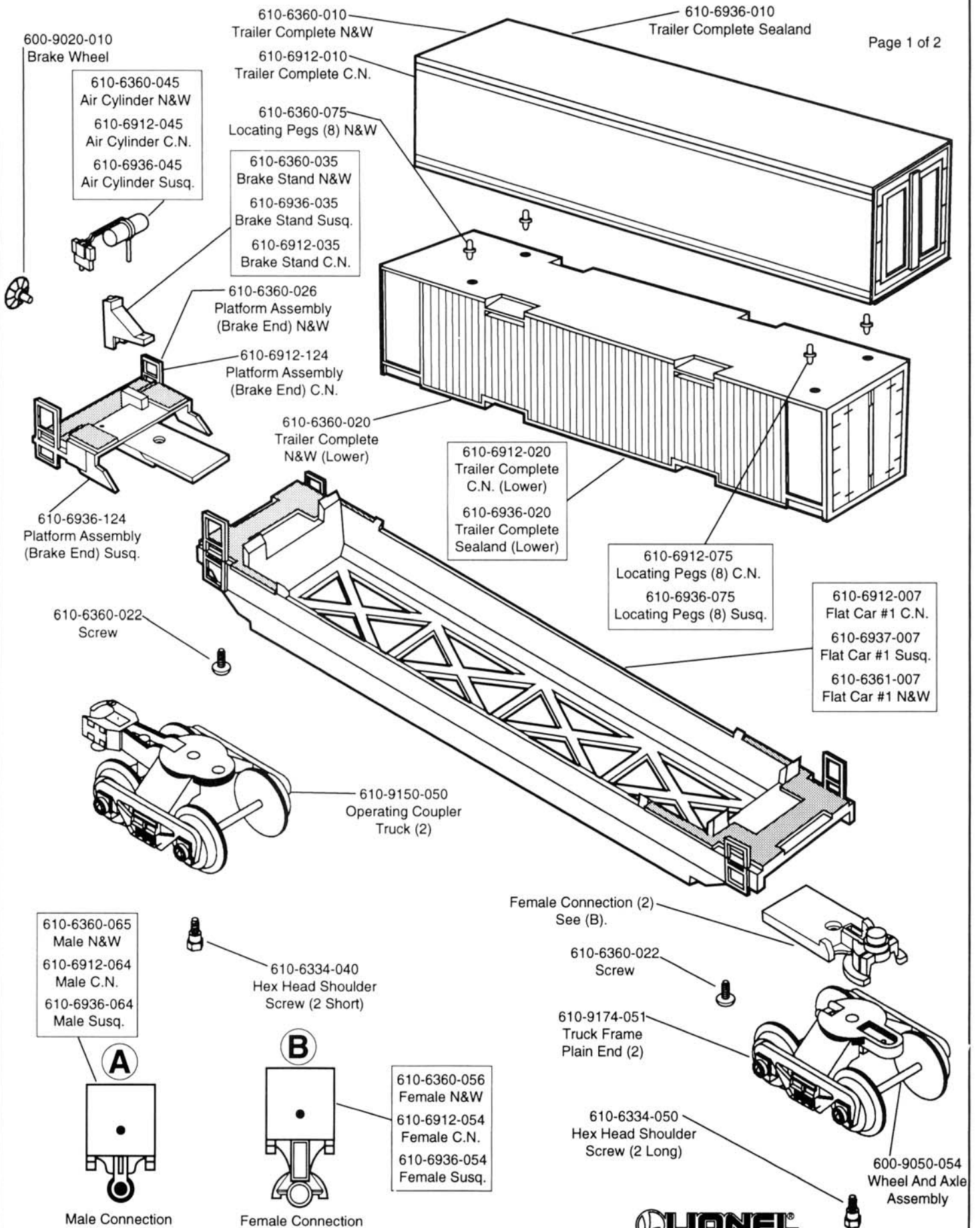


601-6680-000 CHERRY PICKER CAR



LIONEL

MAXI-STACK FLATCARS



MAXI-STACK FLATCARS

- 610-6912-030
Trailer Complete C.N.
- 610-6936-010
Trailer Complete Sealand

- 610-6360-075
Locating Pegs (8) N&W
- 610-6936-075
Locating Pegs (8) Susq.
- 610-6912-075
Locating Pegs (8) C.N.

- 610-6360-010
Trailer Complete N&W

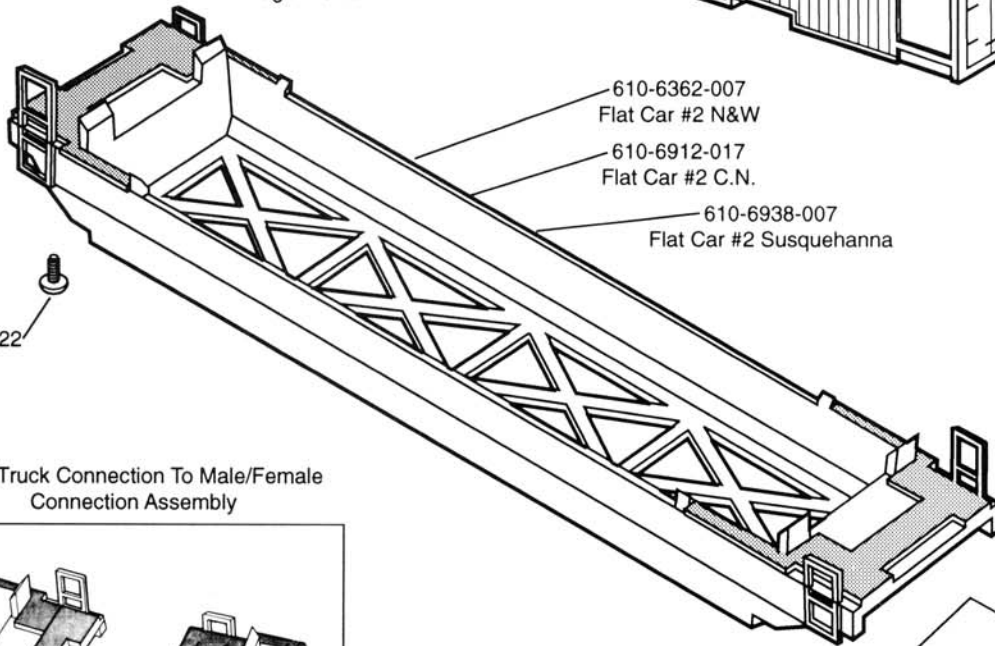
- 610-6360-020
Trailer Complete N&W.
(Lower)

- 610-6912-040
Trailer Complete C.N.
(Lower)

- 610-6936-020
Trailer Complete
Sealand (Lower)



Male Connection
See (A).
Page 1 Of 2



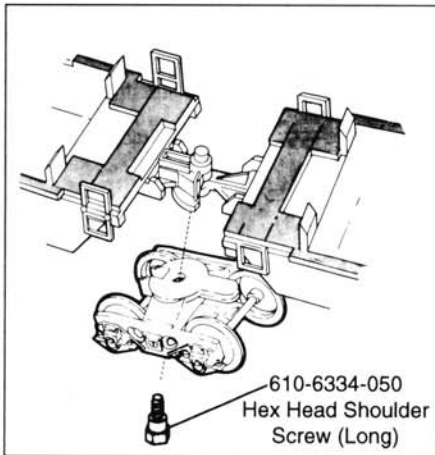
- 610-6362-007
Flat Car #2 N&W

- 610-6912-017
Flat Car #2 C.N.

- 610-6938-007
Flat Car #2 Susquehanna

- 610-6360-022
Screw

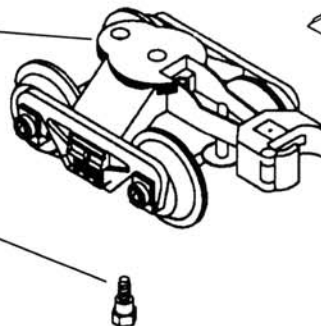
Plain Truck Connection To Male/Female
Connection Assembly



- 610-6334-050
Hex Head Shoulder
Screw (Long)

- 610-9150-050
Truck Assembly (2)

- 610-6334-040
Hex Head Shoulder
Screw (2 Short)

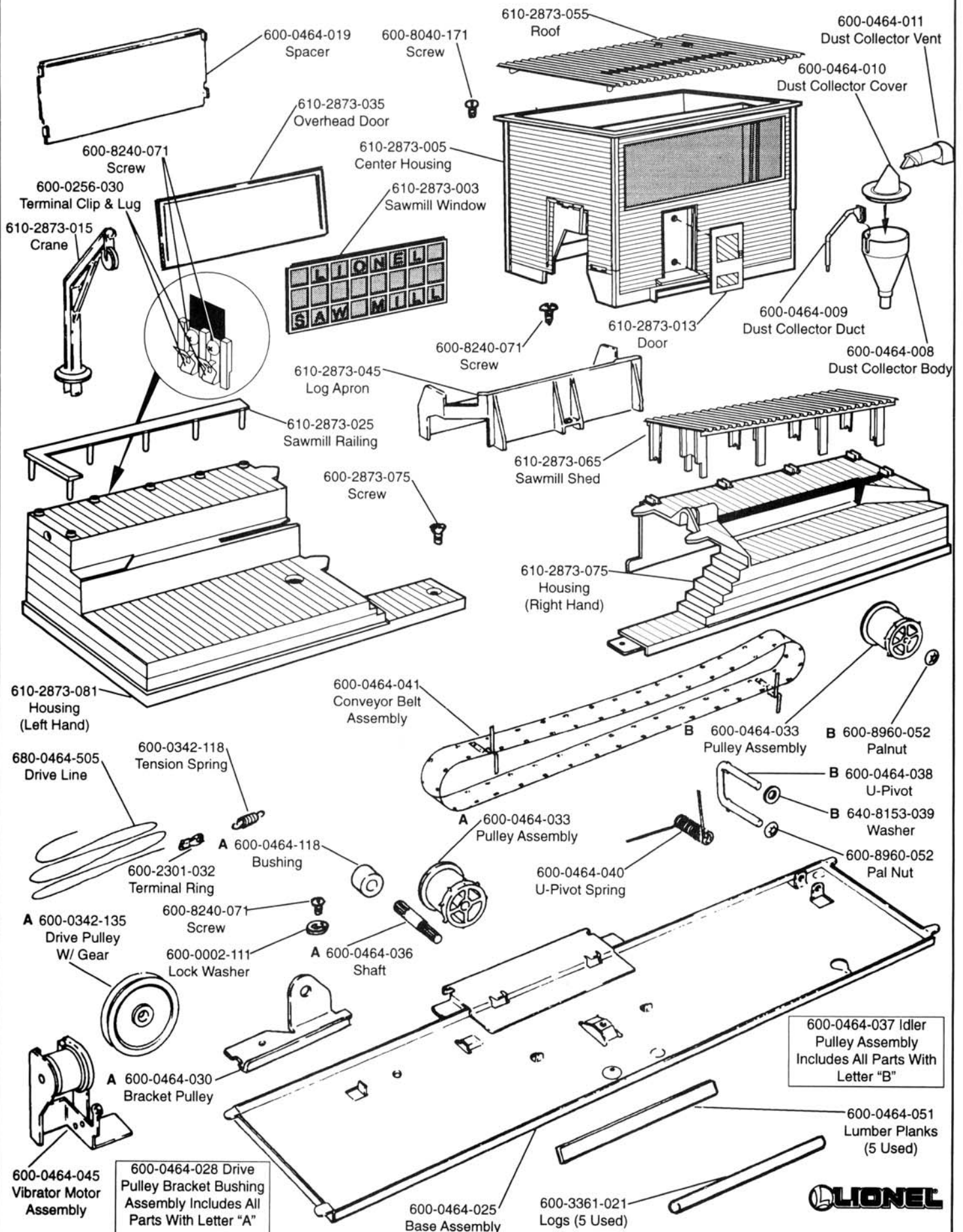


- 610-6360-016
Platform Assembly
Plain End N&W
- 610-6912-214
Platform Assembly
Plain End C.N.
- 610-6936-214
Platform Assembly
Plain End Susq..

- 610-6360-022
Screw

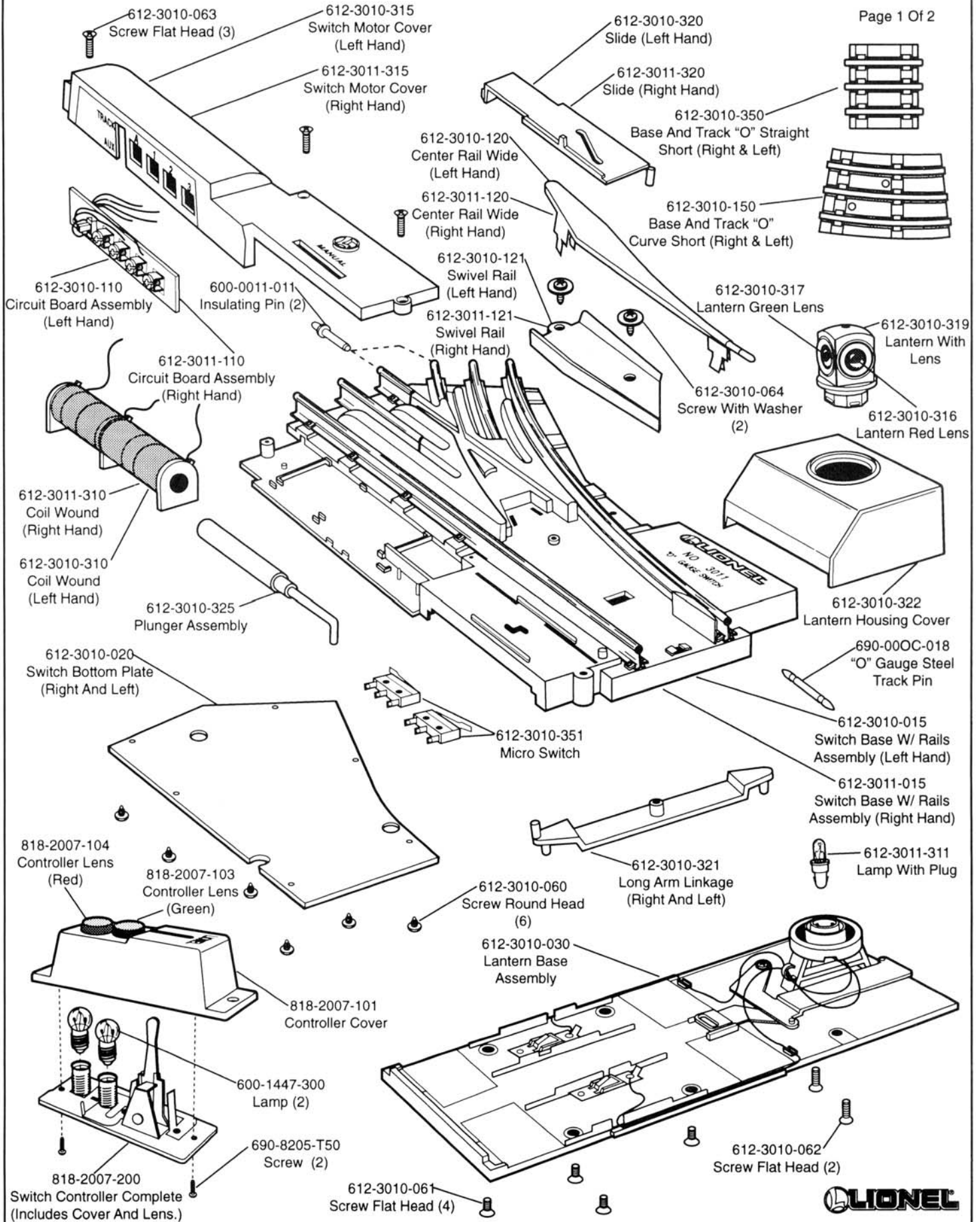


601-2873-000 OPERATING SAWMILL



602-3010-000 "O" GAUGE 031 SWITCH (LEFT HAND)

602-3011-000 "O" GAUGE 031 SWITCH (RIGHT HAND)



602-3010-000 "O" GAUGE 031 SWITCH (LEFT HAND) 602-3011-000 "O" GAUGE 031 SWITCH (RIGHT HAND)

