



PARTS LIST AND EXPLODED DIAGRAMS

SUPPLEMENT 31

Produced by
Lionel®
50625 Richard W. Boulevard
Chesterfield, MI 48051-2493

This supplement is designed to fit with two different publications, the *Lionel Service Manual 1977 to 1986* and *Lionel Parts List and Exploded Diagrams*.

Each page has two numbers. The number for the *Lionel Service Manual* is indicated by parentheses, e.g., (A-60). The number which applies to *Lionel Parts Lists and Exploded Diagrams* is above the parentheses, e.g., S31:3-1

Copyright© 1995
By Lionel
All Rights Reserved

INDEX TO LIONEL PARTS LISTS AND EXPLODED DIAGRAMS Supplement 31

ALPHABETICAL INDEX

O AND O27 GAUGES

Diesel Engines & Electrics

SD-50 w/RSII 601-8221-000	S31:1-1,2,3,4
SD-50 w/Horn 601-8222-000	S31:1-1,2,3,4,5,6
Trolley 610-1809-001	S31:1-7,8

Steam Locomotives

4-6-2 Steam Locomotives 610-8639-001 Reading 610-8640-001 U.P. 610-8642-000 L.L.	S31:3-1,2,3
C&O Stream Liner Locomotive 610-8043-001	S31:3-4,5,6,7,8

Tenders

C&O Stream Liner Tender 691-8043-T01	S31:4-1,2,3
---	-------------

Motorized Units, Operating Cars

Aquarium Car 601-6681-000	S31:11-8
Box Cars (Operating) 601-6679-000 U.S. Mail 601-6687-000 U.S. Mail 601-9821-000 U.P.	S31:11-7
Cop & Hobo 601-6705-000	S31:11-5,6
Missile car 601-6710-000	S31:11-9
On Track Pick-Up Truck 601-8424-000	S31:11-1,2,3
On Track Step Van 601-8423-000	S31:11-1,2,3
RailRoad Hand Car 601-8429-000	S31:11-4

Rolling Stock

Standard "O" Flat Cars w/Logs 601-7500-000, 601-7510-000, 601-7512-000, 601-7513-000, 601-7514-000	S31:8-1
---	---------

Accessories

Automatic Gateman 610-2713-001	S31:14-1,2
Automatic Flagman 601-2892-000	S31:14-3
Pumping Station 601-2912-000	S31:14-4

LIONEL SERVICE MANUAL

INDEX BY LETTER

Supplement 31

Description	Drawing
Diesel Locomotives and Electrics	
SD-50 w/Railsounds II	(B-65) to (B-65-4)
610-8221-000	
SD-50 w/Horn	(B-65) to (B-65-6)
601-8222-00	
Village Trolley	(B-66), (B-66-2)
610-1809-001	
Steam Locomotives	
4-6-2 Steam Locomotives	(A-60), (A-60-2), (A-60-3)
610-8639-001 Reading	
610-8640-001 U.P.	
610-8642-001 L.L.	
C&O Streamliner	(A-61) to (A-61-5)
610-8043-001	
Tenders	
C&O Streamliner	(C-51), (C-51-2), (C-51-3)
691-8043-T01	
Motorized Units, Operating Cars	
Aquarium Car	(F-129)
601-6681-000	
Box Cars Operating	(F-128)
601-6679-000 U.S. Mail	
601-6687-000 U.S. Mail	
601-9821-000 U.P.	
Cop & Hobo	(F-127), (F-127-2)
601-6705-000	
Missile Car	(F-130)
601-6710-000	
On Track Pick-Up truck	(F-125), (F-125-2), (F-125-3)
601-8424-000	
On Track Step Van	(F-125), (F-125-2), (F-125-3)
601-8423-000	
Railroad Hand Car	(F-126)
601-8429-000	
Rolling Stock	
Standard "O" Flat Car w/Logs	(F-131)
601-7500-000, 601-7510-000,	
601-7512-000, 601-7513-000,	
601-7514-000	

LIONEL SERVICE MANUAL

INDEX BY LETTER

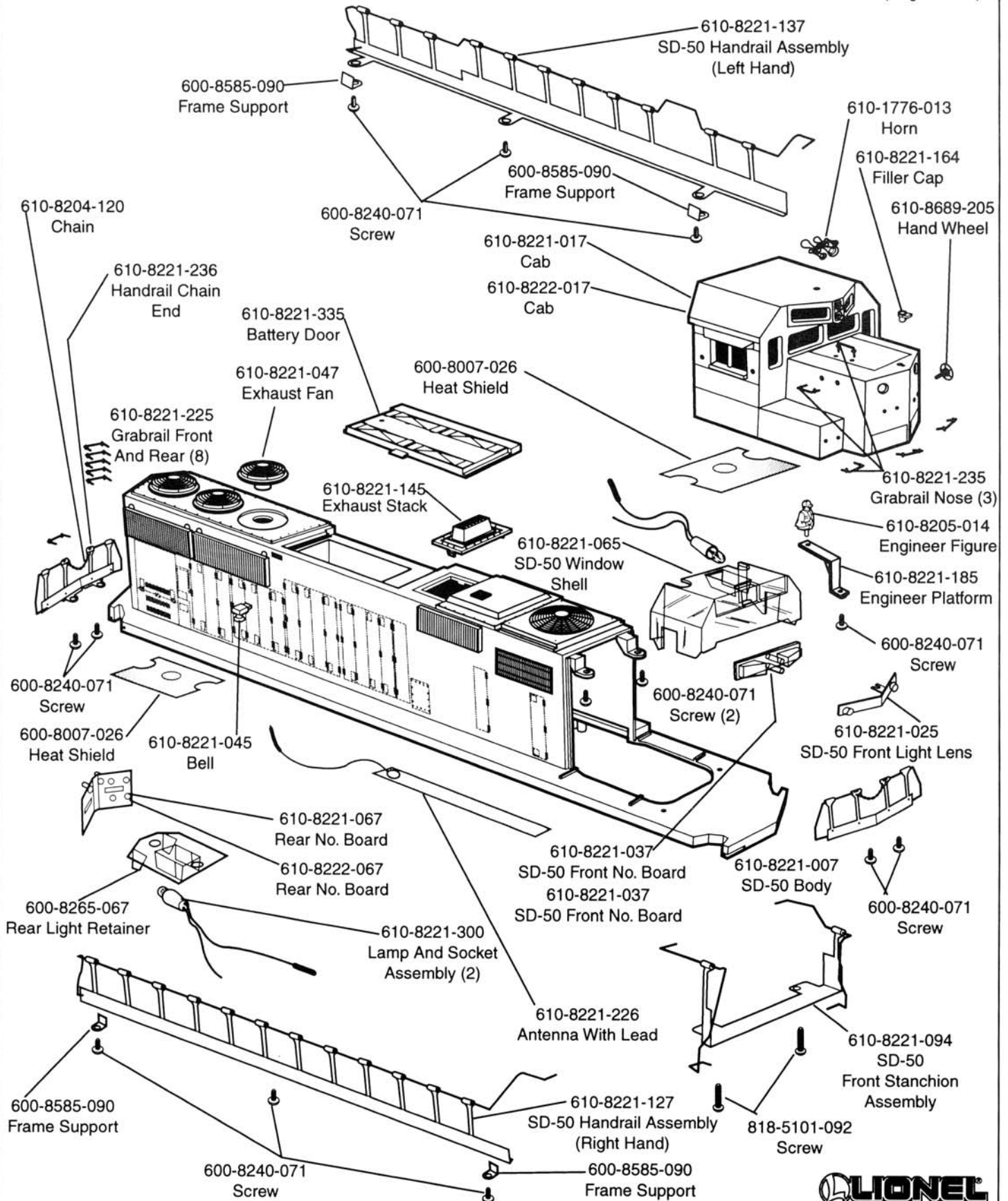
Supplement 31

Description	Drawing
Accessories	
Automatic Gateman 610-2713-001	(I-53), (I-53-2)
Automatic Flagman 601-2892-000	(F-54)
Pumping Station 601-2912-000	(I-55)

601-8221-000 D&RG SD-50 WITH RAILSOUNDS II 601-8222-000 D&RG SD-50 WITH HORN

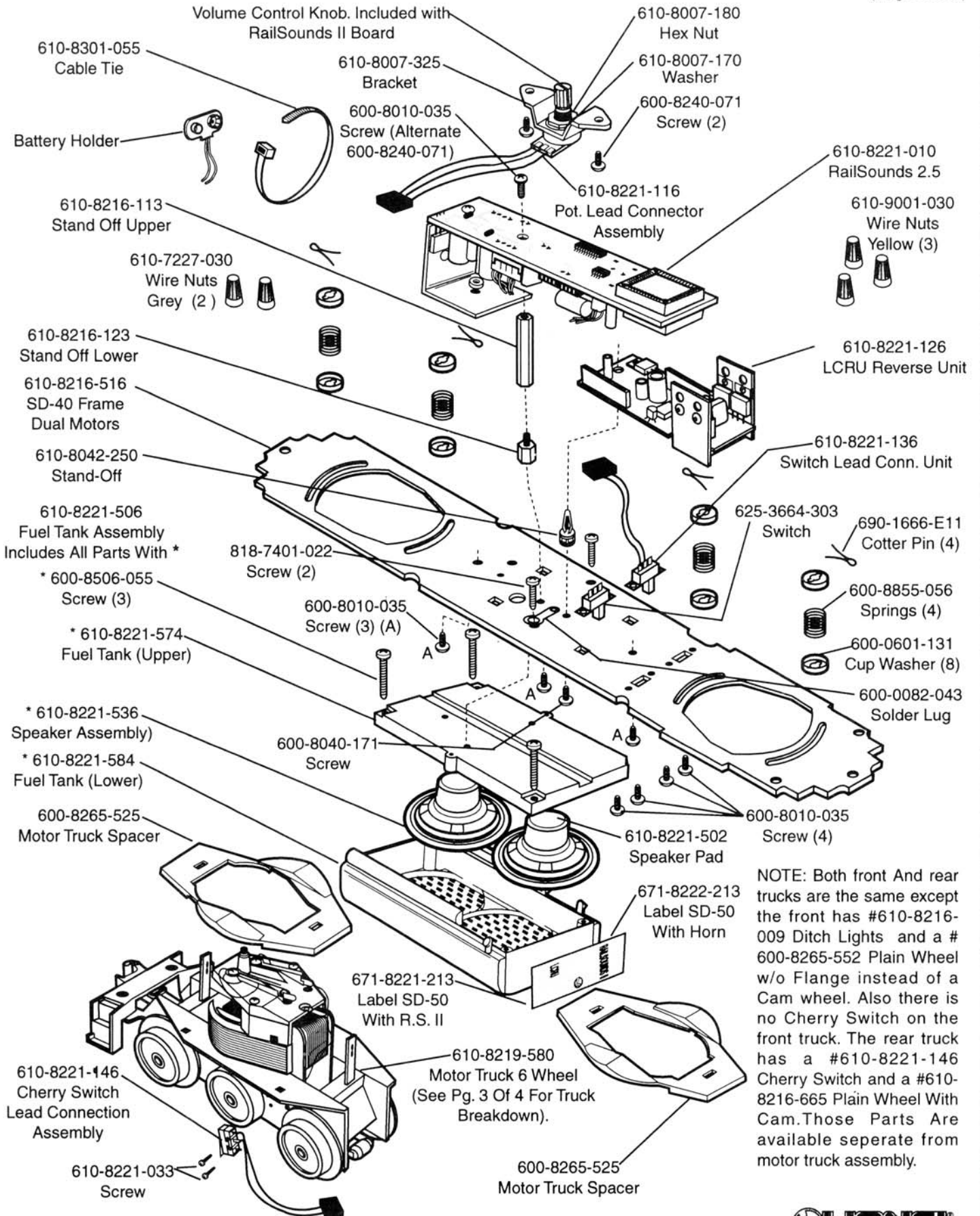
COMMAND EQUIPPED

(Page 1 of 6)



601-8221-000 D&RG SD-50 WITH RAILSOUNDS II

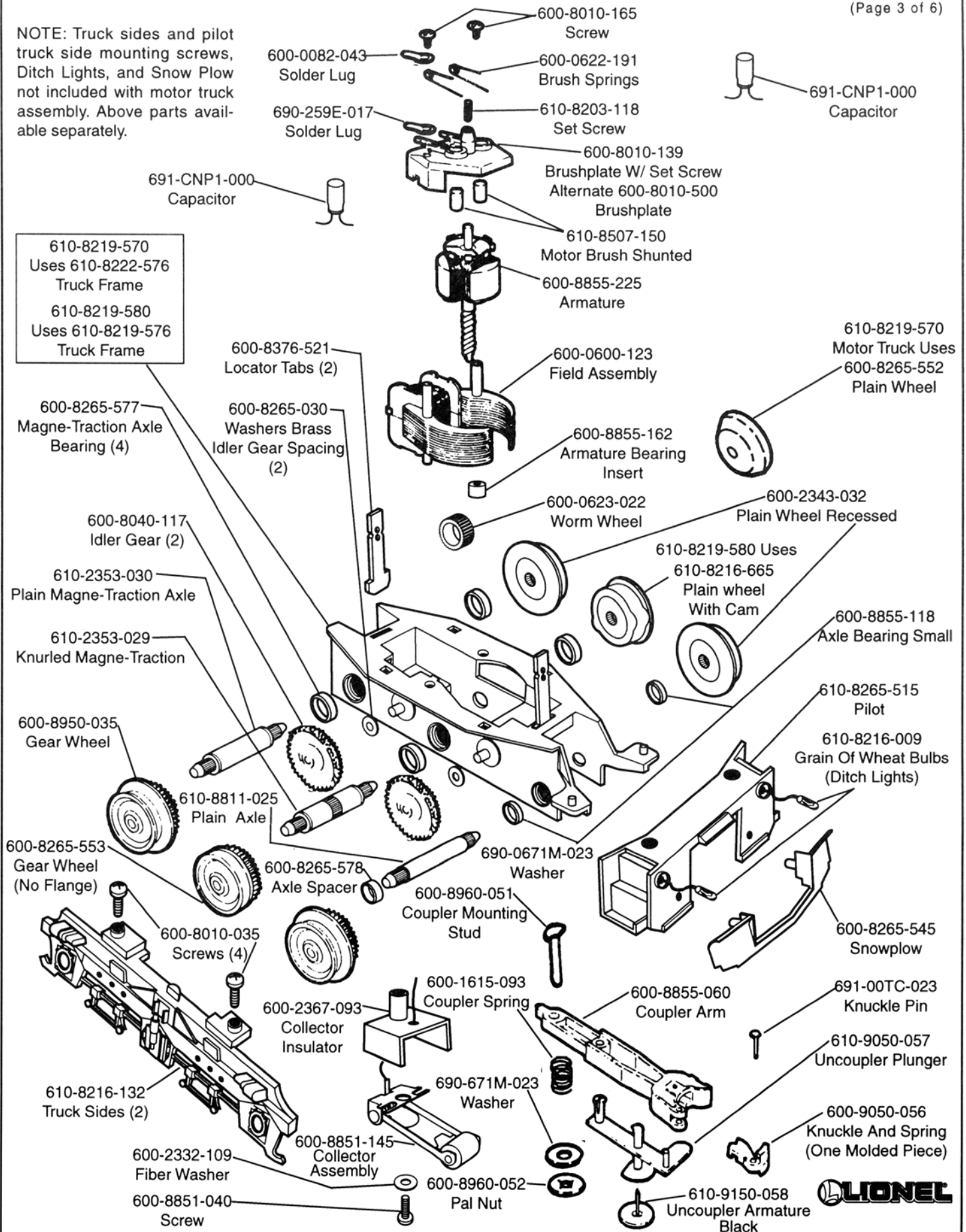
(Page 2 of 6)



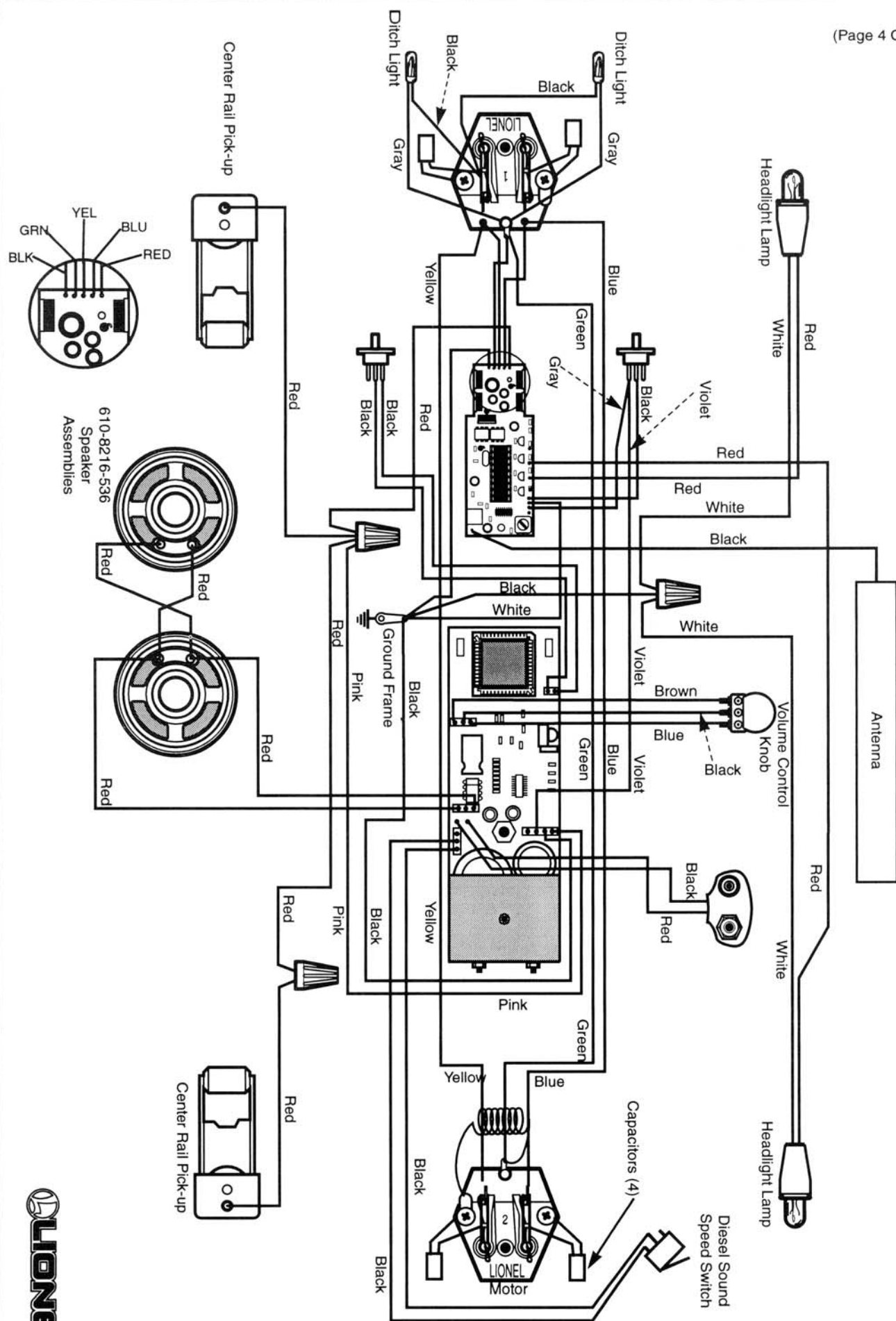
610-8219-570 MOTOR TRUCK W/O CAM WHEEL

610-8219-580 MOTOR TRUCK W/ CAM WHEEL

NOTE: Truck sides and pilot truck side mounting screws, Ditch Lights, and Snow Plow not included with motor truck assembly. Above parts available separately.



601-8221-000 D&RG SD-50 WITH RAIL SOUNDS II WIRING SCHEMATIC



LIONEL SERVICE MANUAL

Page 5 of 6

No. 601-8222-000 D.&R.G. SD-50 With Diesel Horn

For breakdown of locomotive refer to 601-8221-000 D.&R.G. SD-50 with Railsounds II.

All parts are the same, differences are noted on sheet. Parts used only on 601-8222-000 are listed following this note.

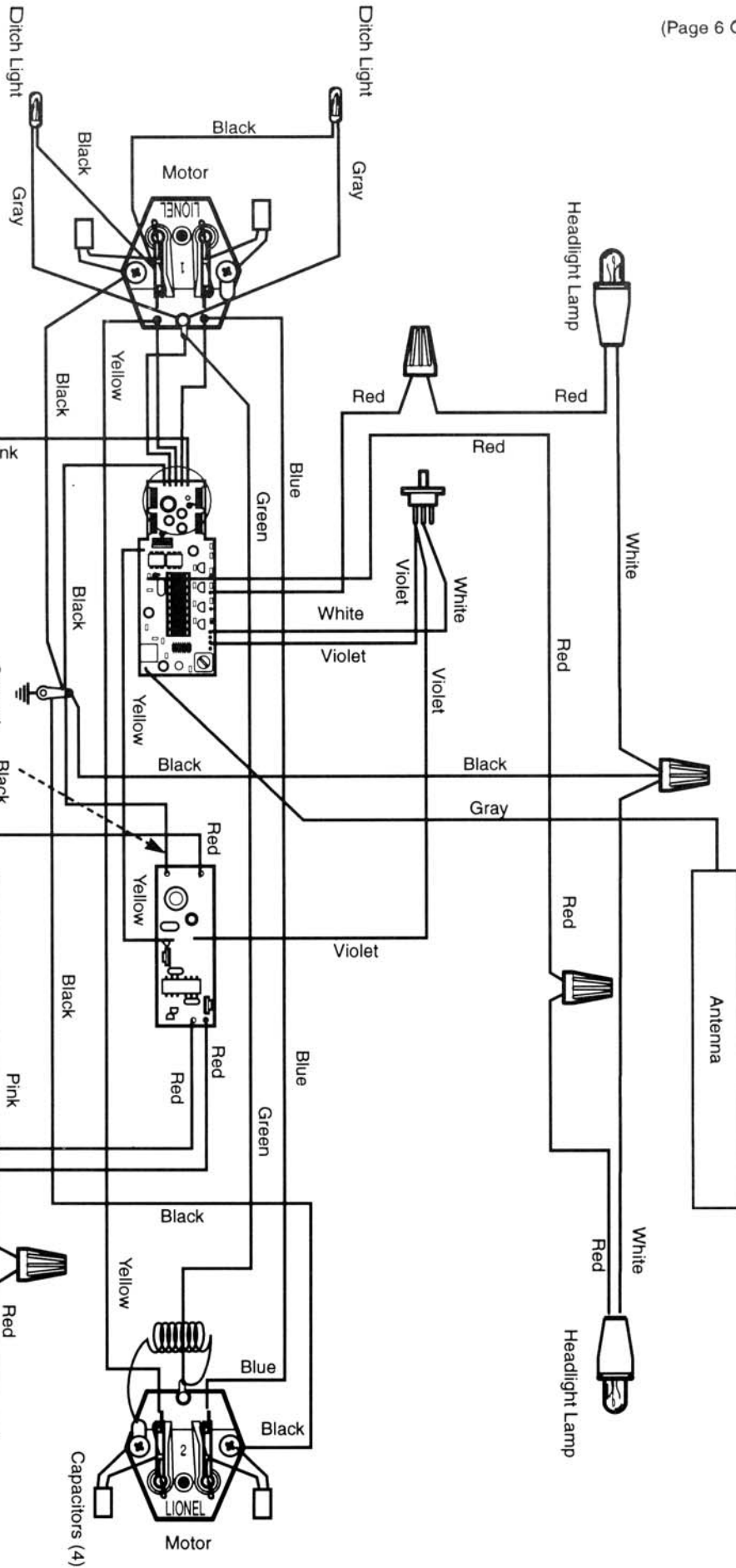
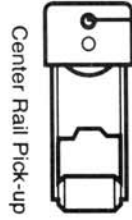
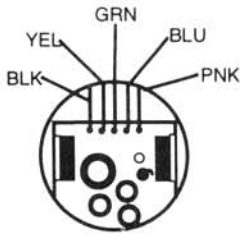
Also take note that the 18222 uses two 610-8219-570 motor trucks as it does not require a cherry switch for diesel sound.

In addition part 610-8222-010 L.C.R.U. with horn harness means it comes with both the L.C.R.U. reverse unit and horn circuit board wired together.

	600-8152-536	Speaker
*	610-8219-570	Motor Trucks
	610-8222-005	Bracket Exhaust Fan
	610-8222-010	L.C.R.U. With Horn Harness
*	610-8222-017	Cab
*	610-8222-037	SD-50 Front No. Board
*	610-8222-067	Rear No. Board
	610-8222-506	Fuel Tank Assy. With One Speaker
	610-8265-518	Foam Pads 1x1 Horn Board Mtg.
*	671-8222-213	Fuel Tank Label
*	No. also appears on Dwg. Illustrated	

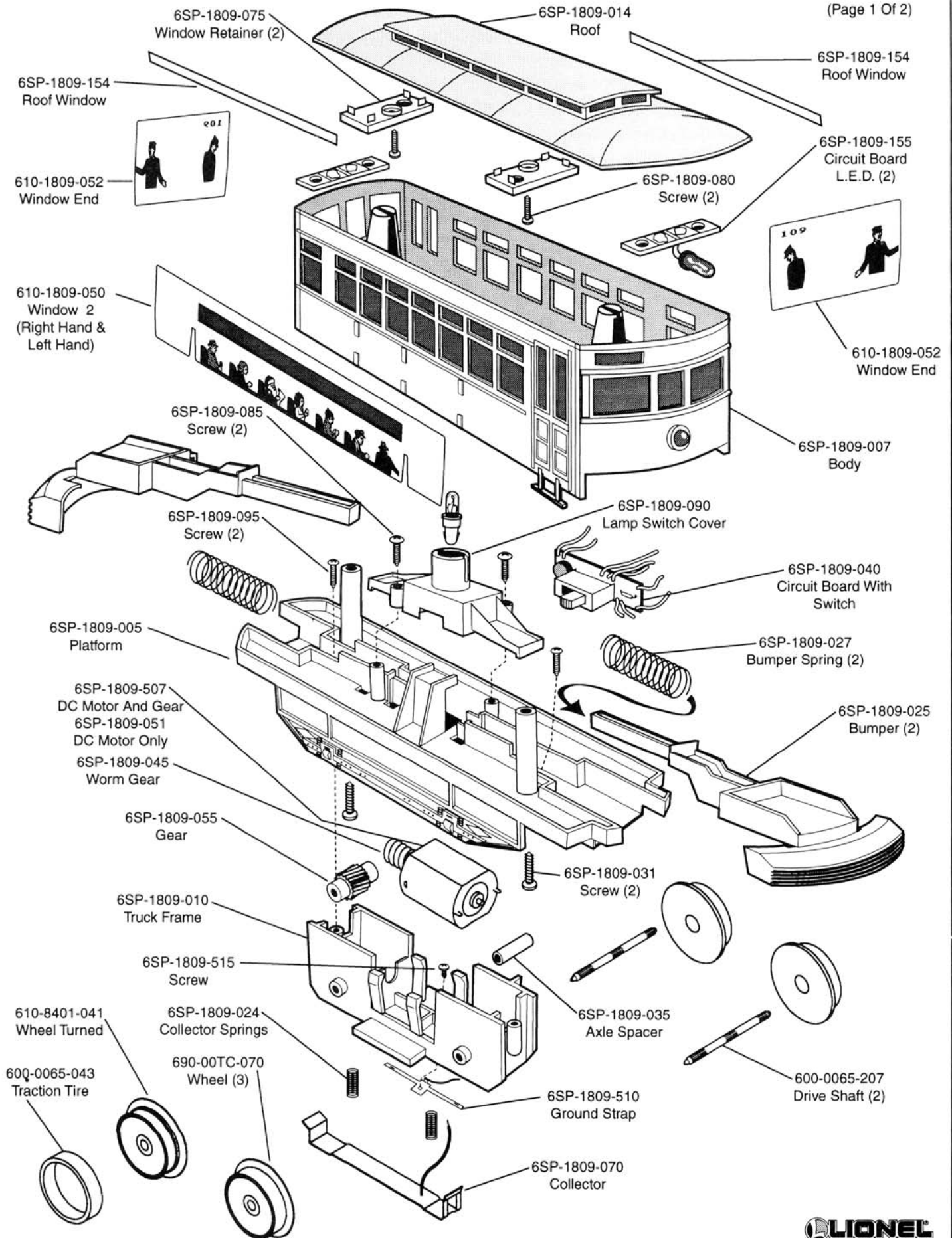
S-31:1-5
(B-65-5)

601-8222-000 D&RG SD-50 WITH DIESEL HORN WIRING SCHEMATIC



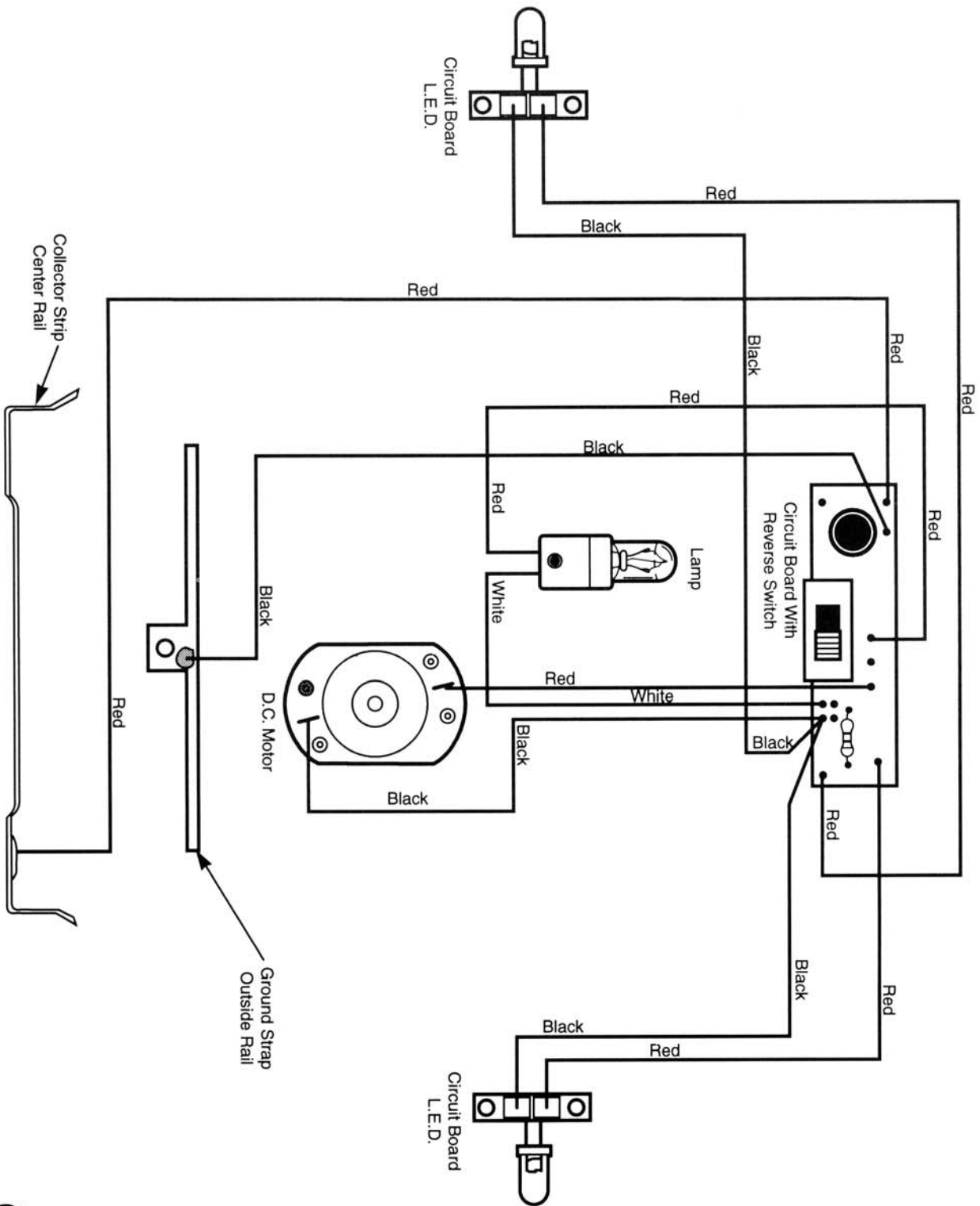
610-1809-001 TROLLEY

(Page 1 Of 2)



LIONEL

610-1809-001 TROLLEY WIRING SCHEMATIC



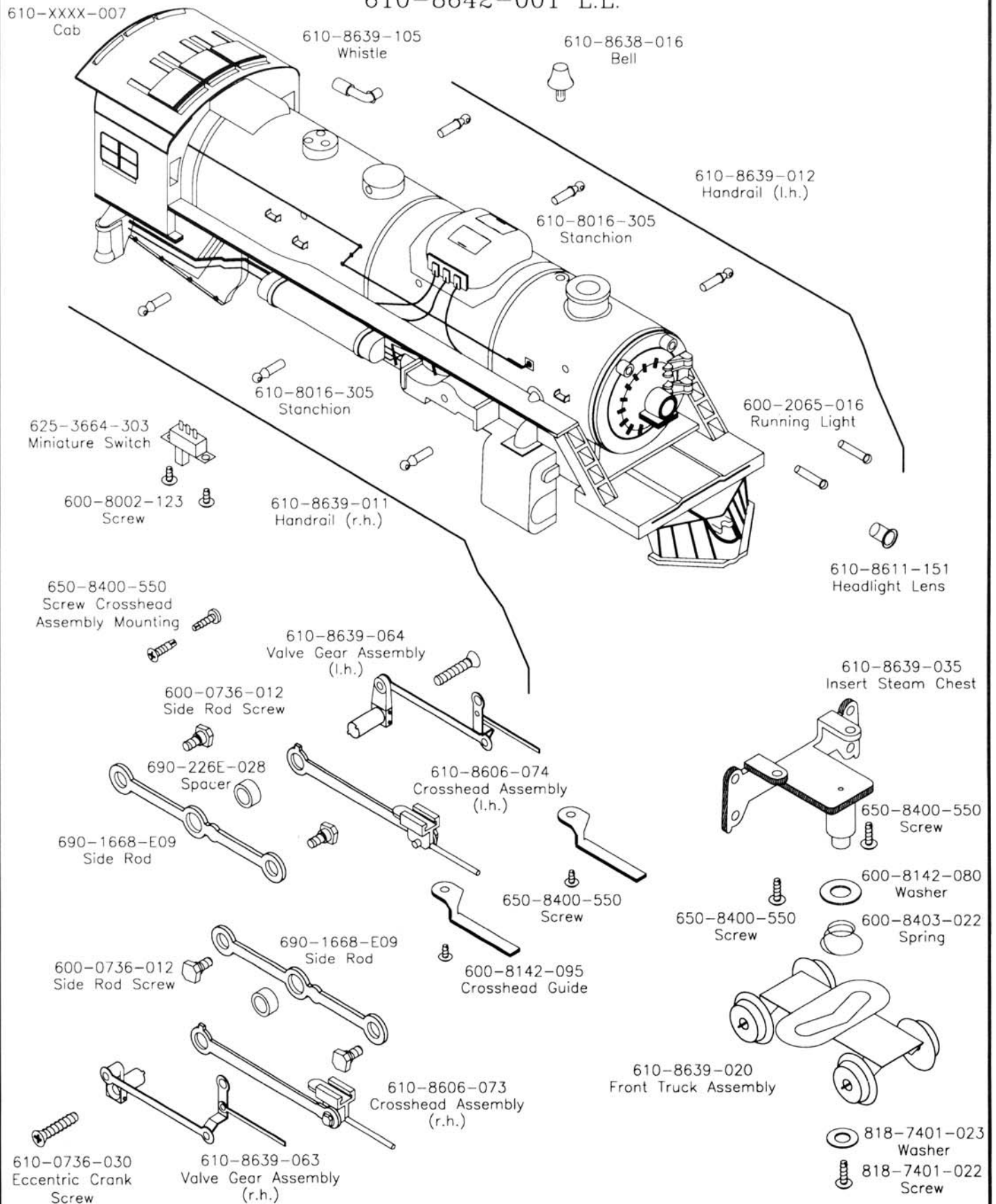
4-6-2 STEAM LOCOMOTIVE

610-8639-001 READING

610-8640-001 U.P.

610-8642-001 L.L.

(Page 1 of 3)



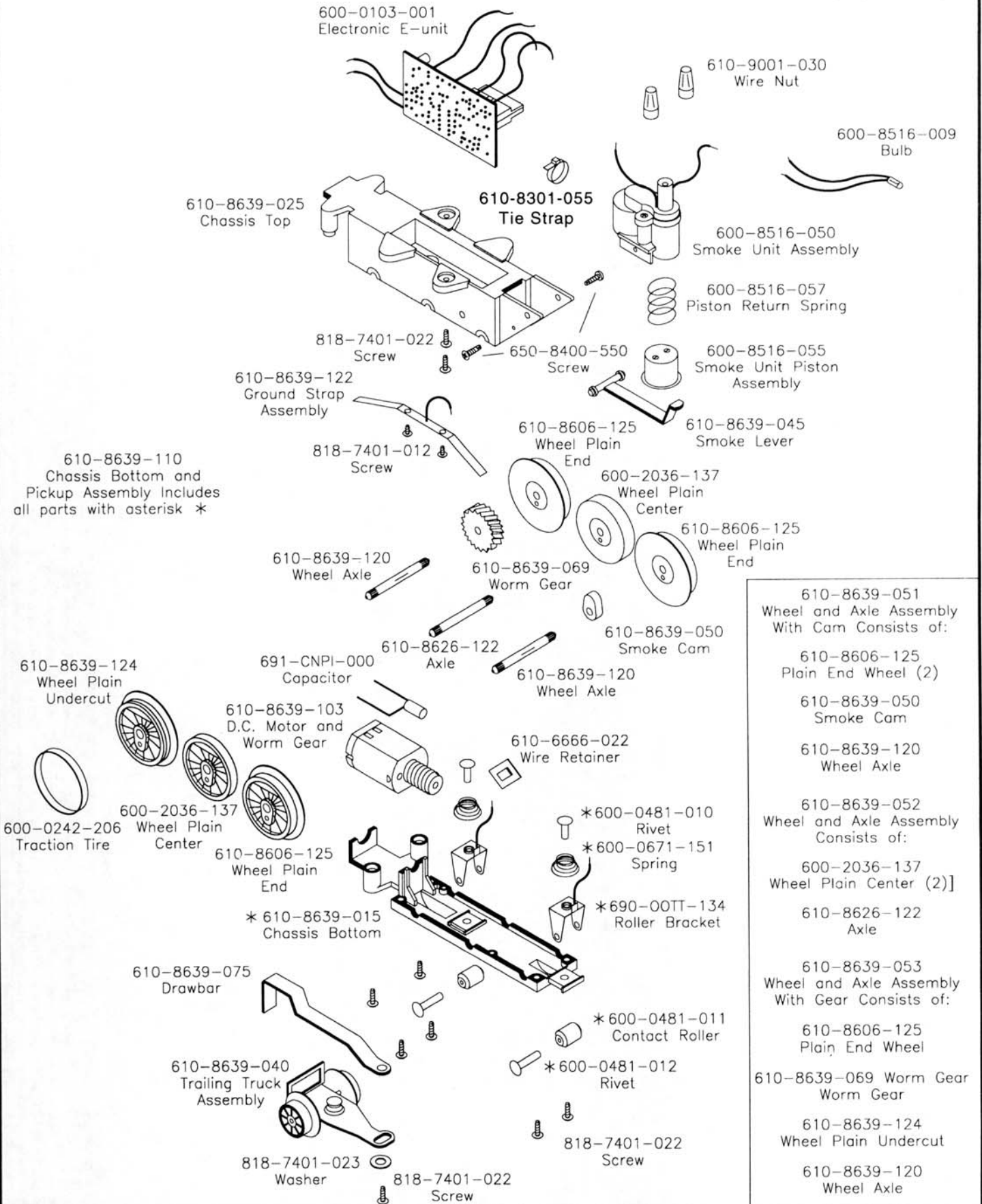
4-6-2 STEAM LOCOMOTIVE

610-8639-001 READING

610-8640-001 U.P.

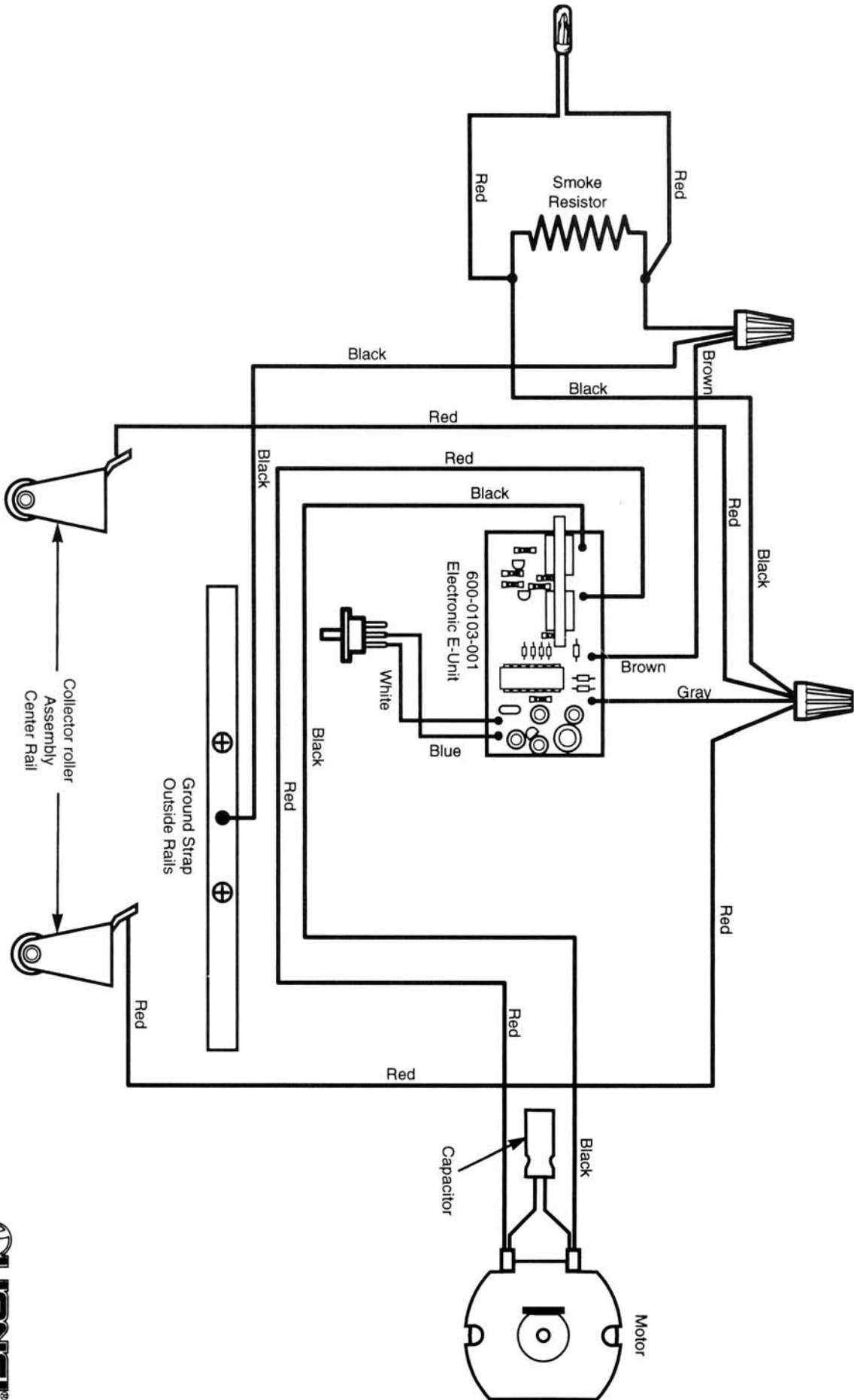
610-8642-001 L.L.

(Page 2 of 3)



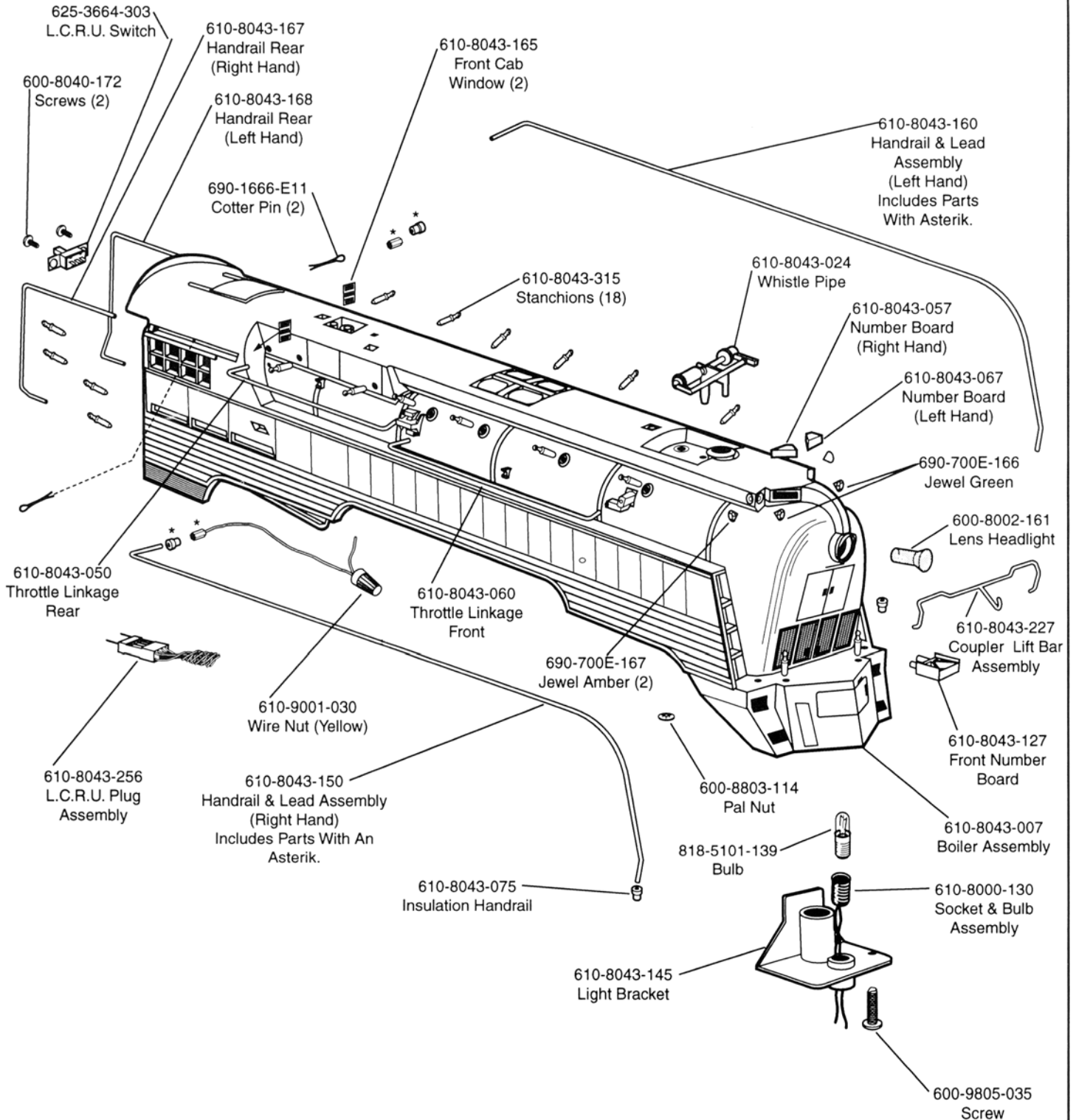
4-6-2 LOCOMOTIVES WIRING SCHEMATIC

610-8642-001 L.L., 610-8639-001 READING, 610-8640-001 U.P.



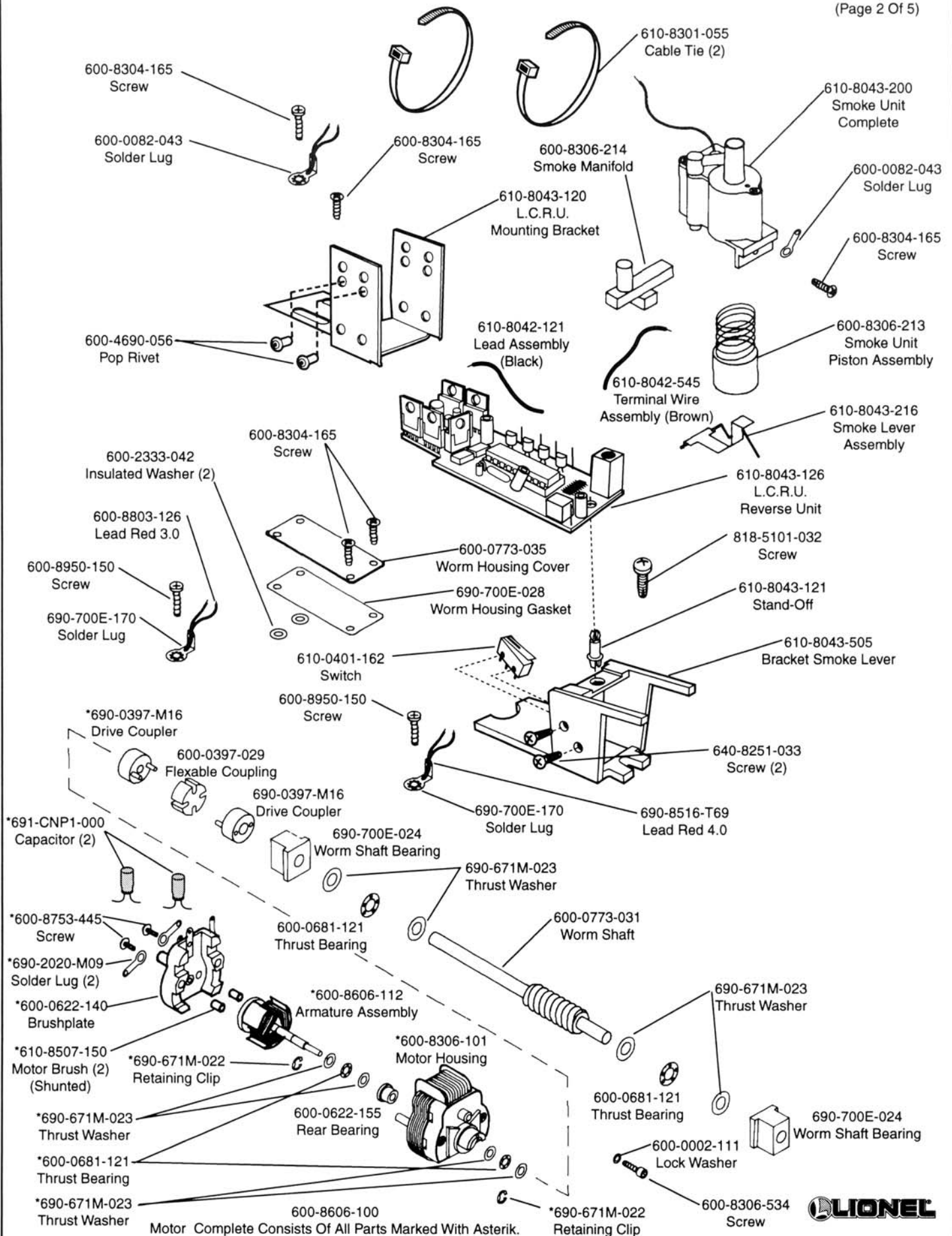
610-8043-001 C&O STREAMLINER LOCOMOTIVE

(Page 1 Of 5)



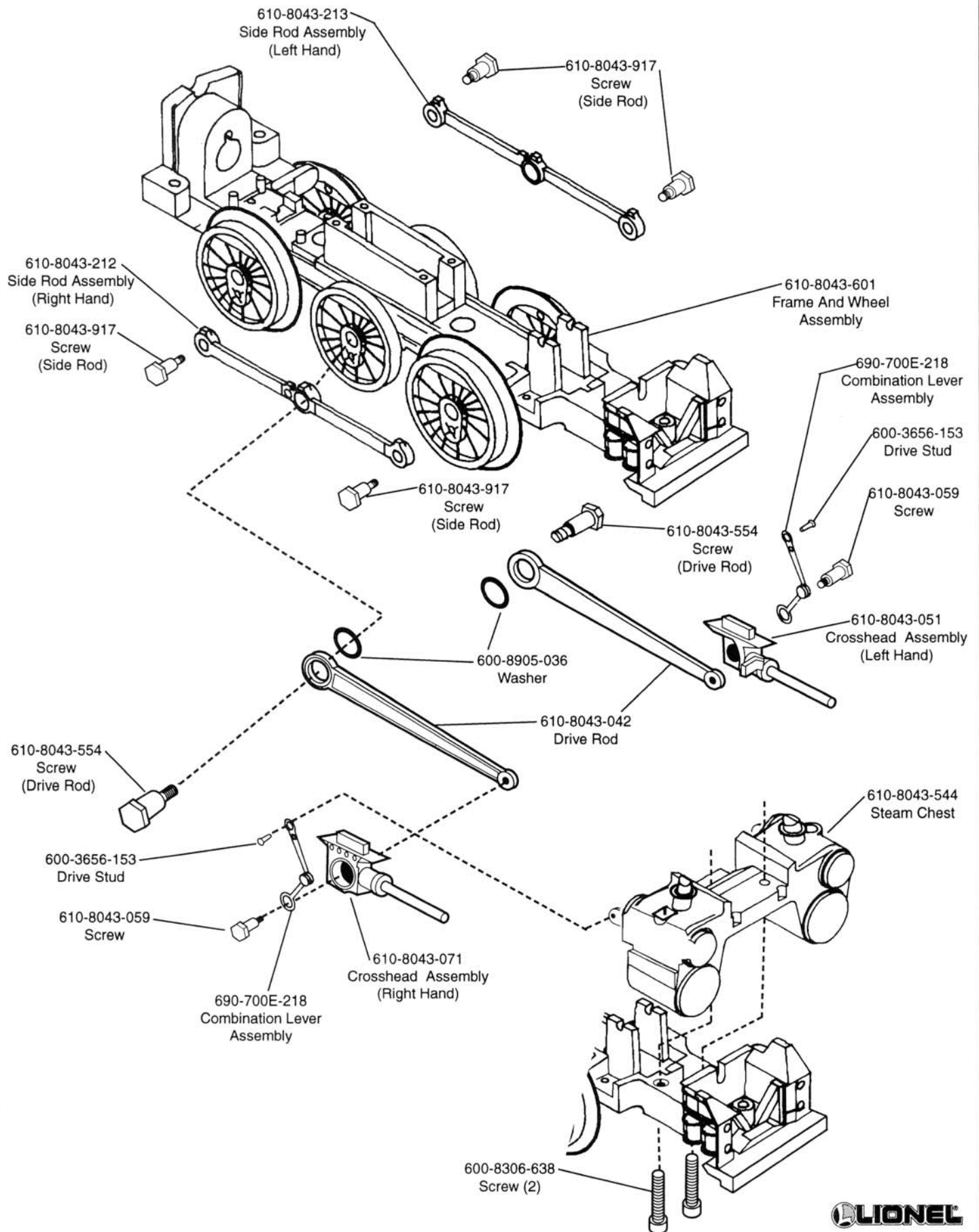
610-8043-001 C&O STREAMLINER LOCOMOTIVE

(Page 2 Of 5)



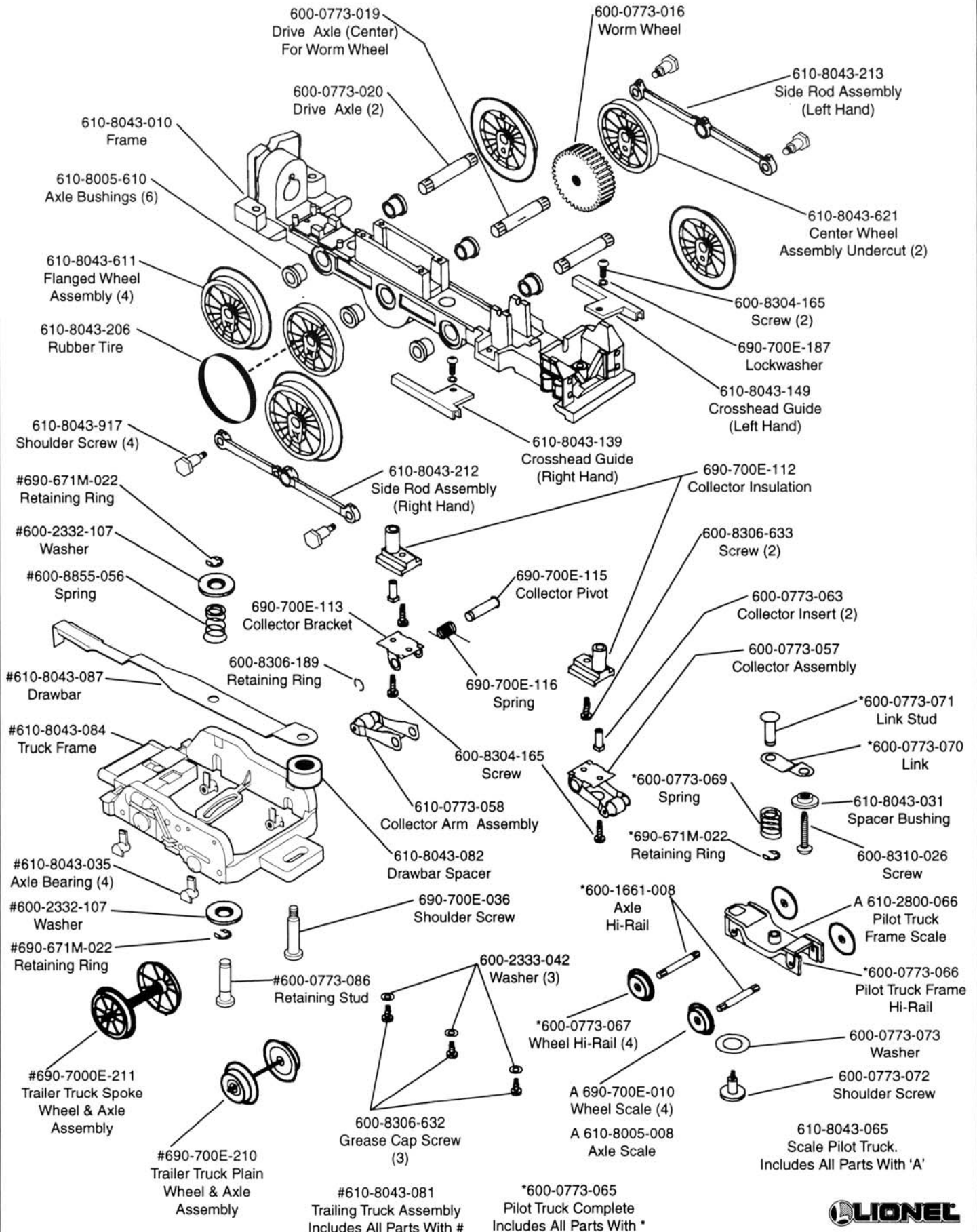
610-8043-001 C&O STREAMLINER LOCOMOTIVE

(Page 3 Of 5)

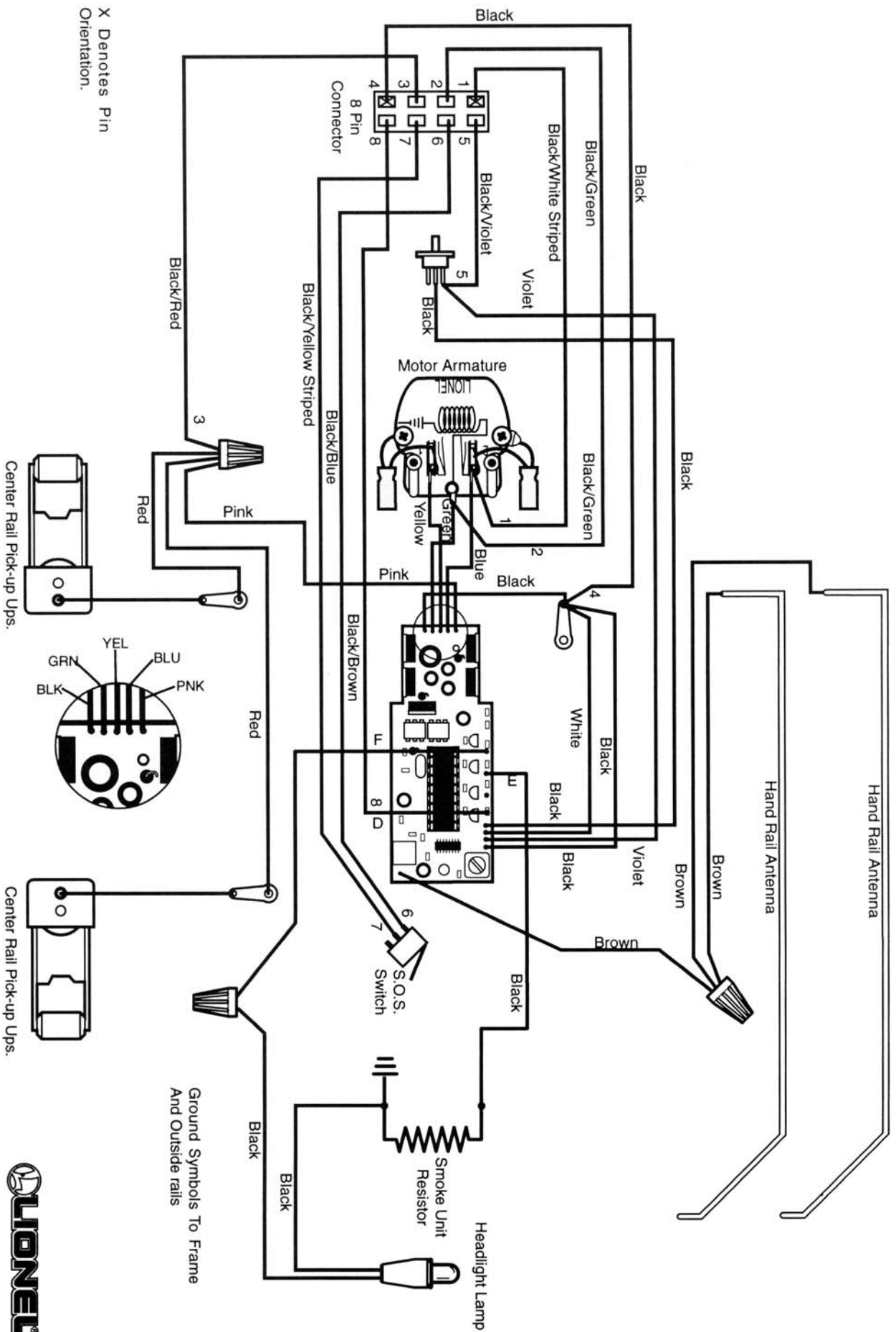


610-8043-001 C&O STREAMLINER LOCOMOTIVE

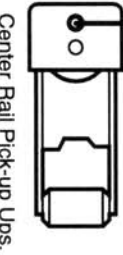
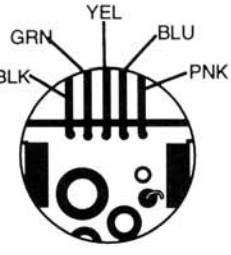
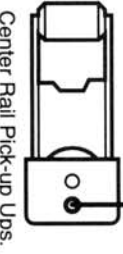
(Page 4 Of 5)



610-8043-001 C&O HUDSON LOCOMOTIVE WIRING SCHEMATIC

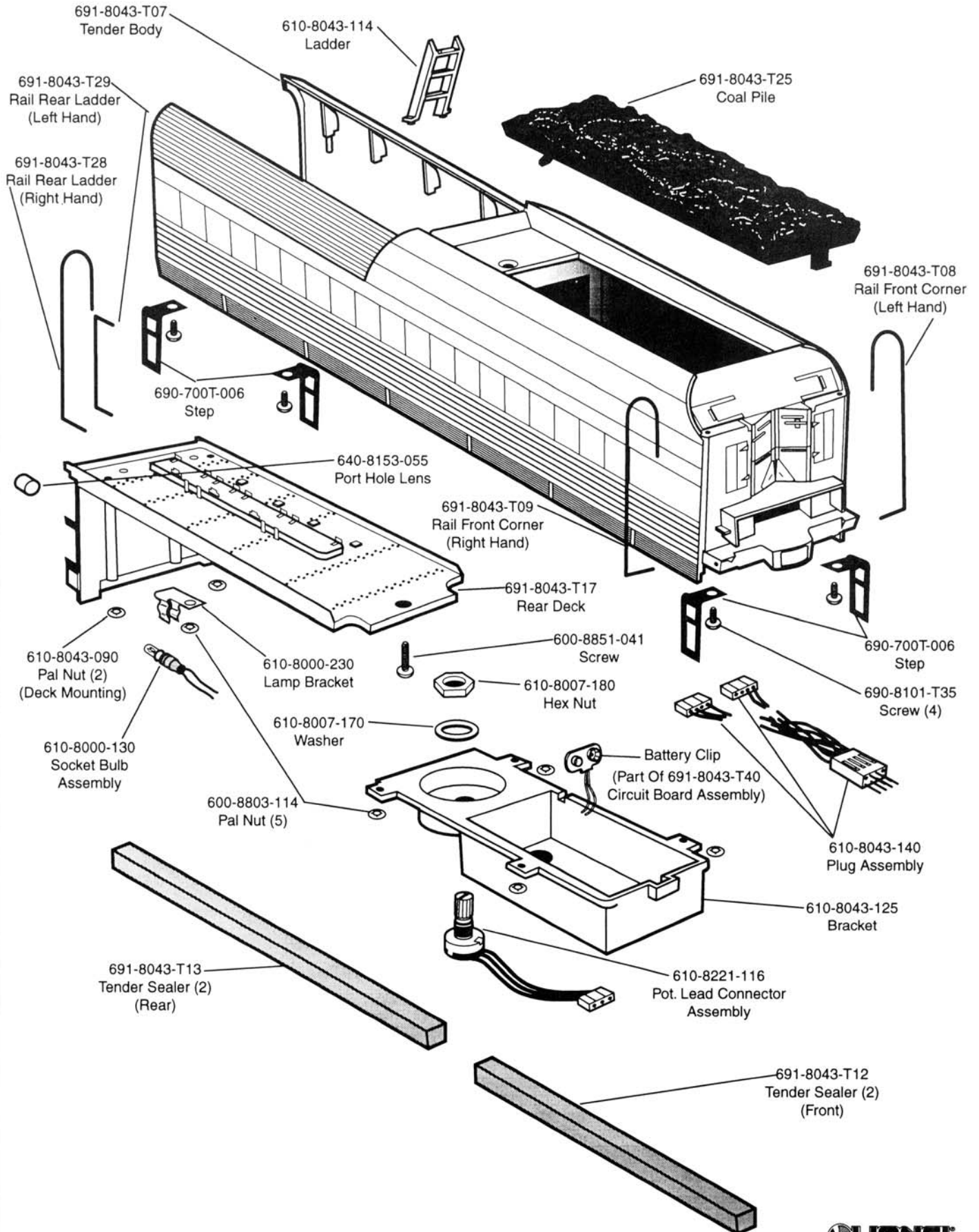


X Denotes Pin Orientation.



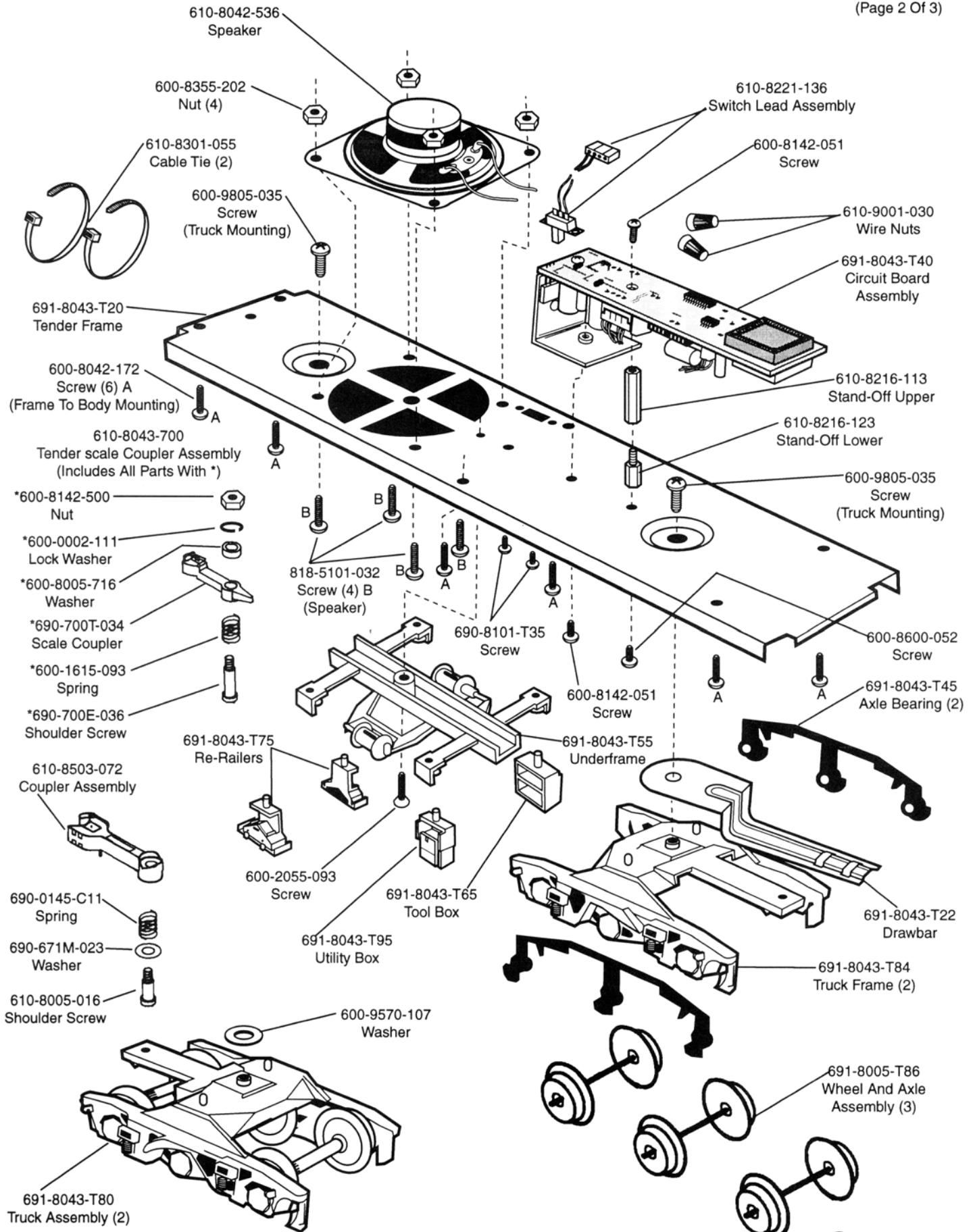
691-8043-T01 C&O STREAMLINER TENDER

(Page 1 Of 3)

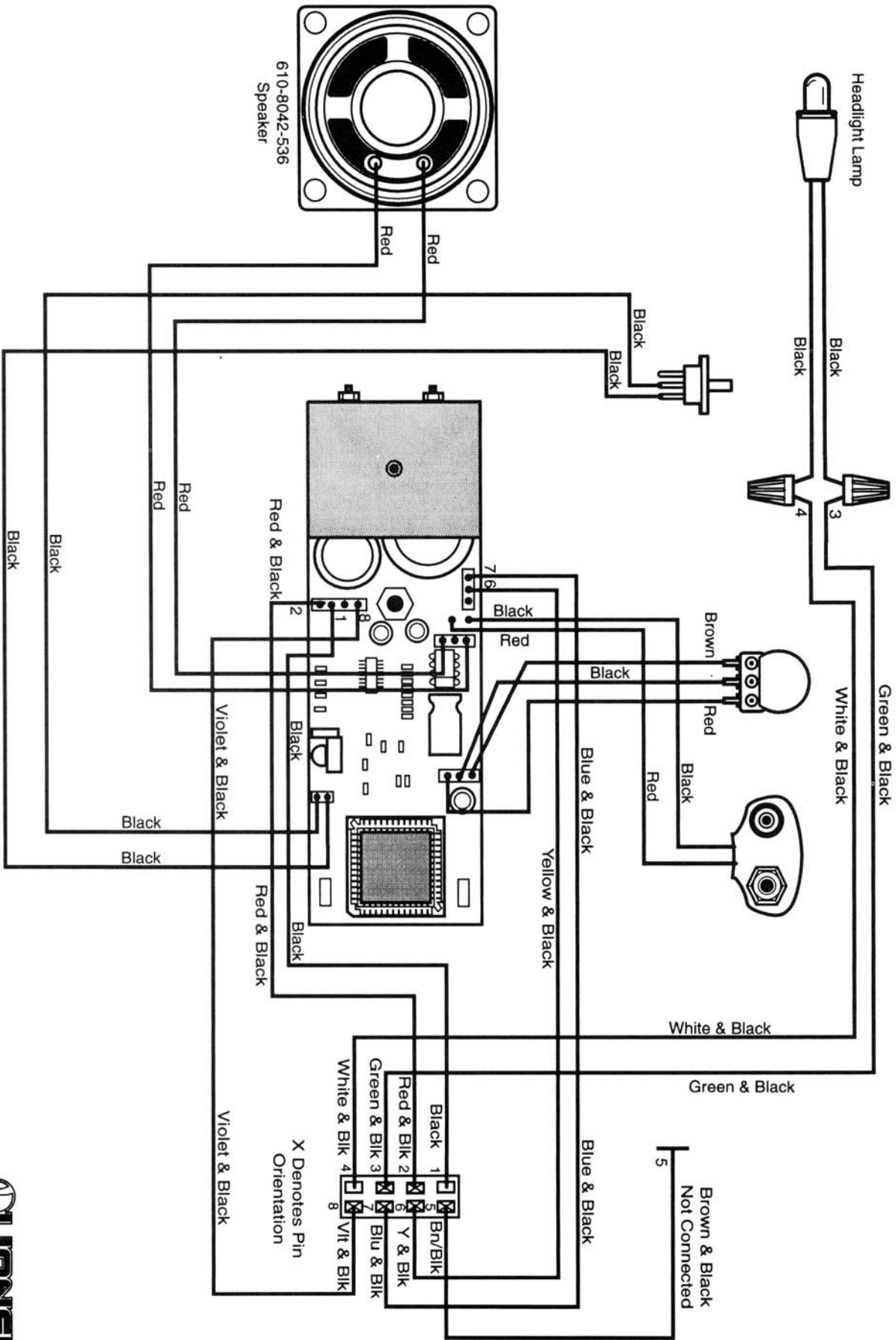


LIONEL

691-8043-T01 C&O STREAMLINER TENDER



691-8043-T01 C&O TENDER RAIL SOUNDS II WIRING SCHEMATIC



610-8042-536
Speaker

X Denotes Pin
Orientation

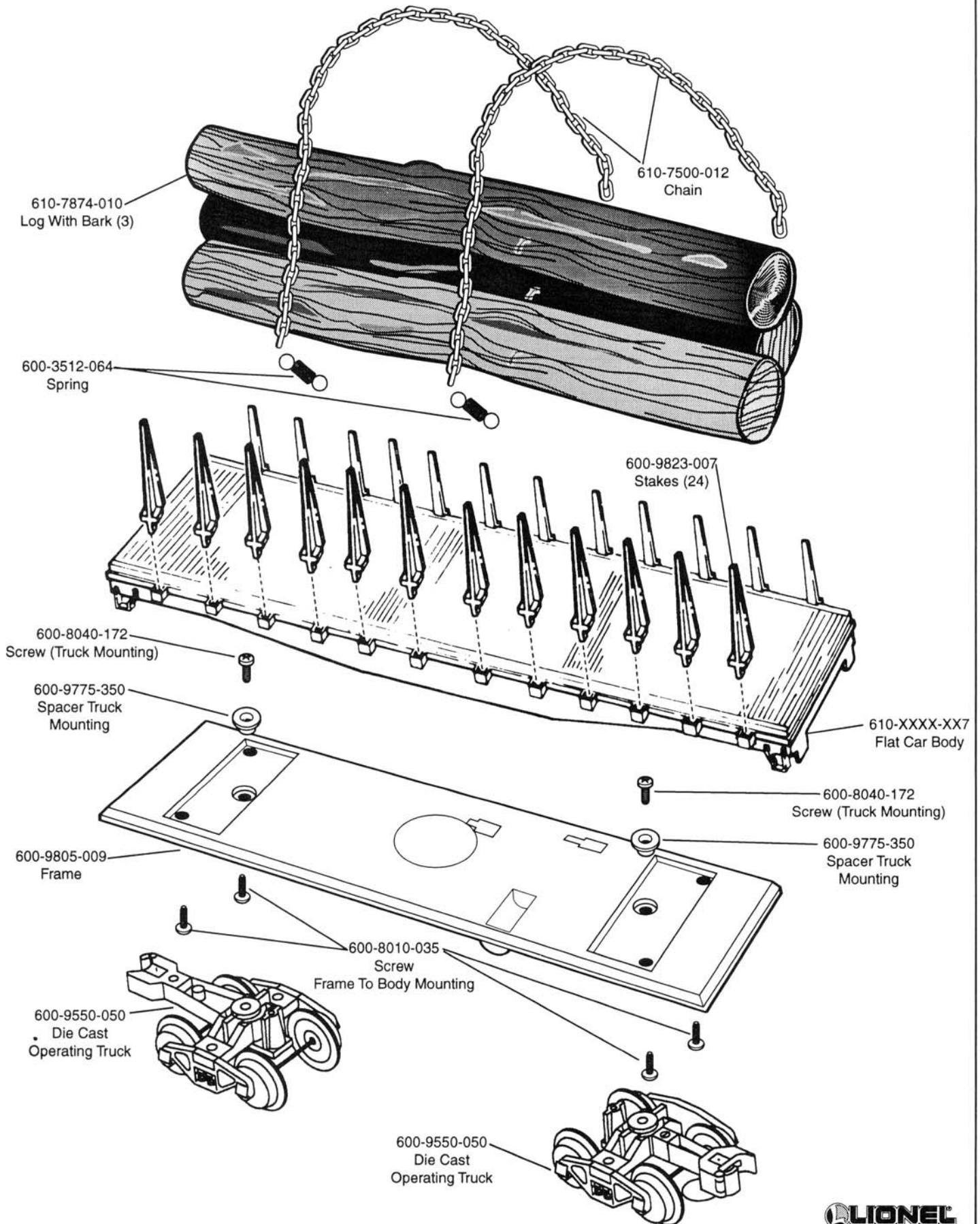
- Black 1
- Red & Blk 2
- Green & Blk 3
- White & Blk 4
- 5 Brv/Blk
- 6 Y & Blk
- 7 Blu & Blk
- 8 Vlt & Blk

5
Brown & Black
Not Connected



STANDARD "O"FLAT CAR WITH LOGS

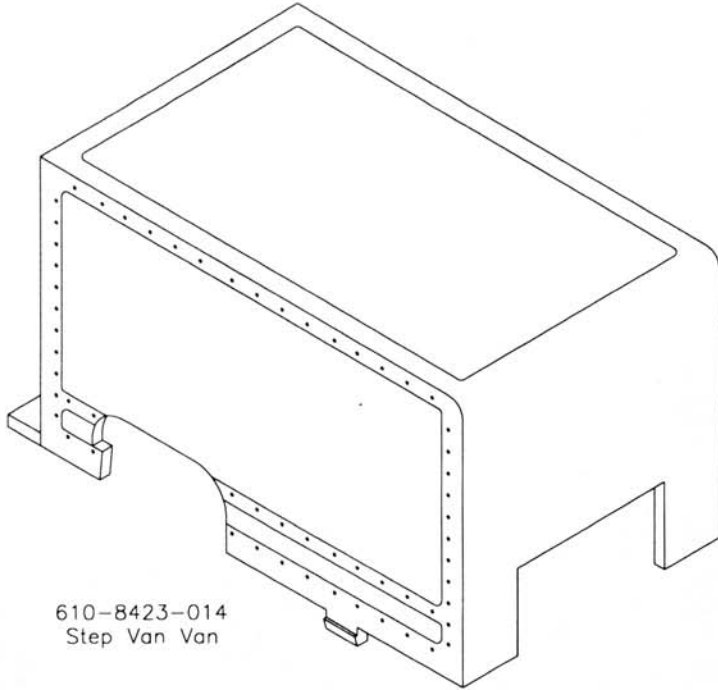
601-7500-000 C.P. RAIL, 601-7510-000 NORTHERN PACIFIC,
601-7512-000 WESTERN MARYLAND, 601-7513-000 W.M., 601-7514-000 W.M.



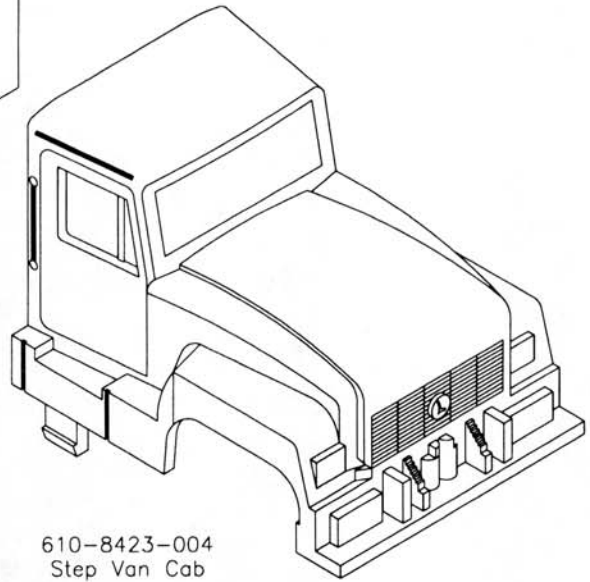
LIONEL

601-8423-000 ON-TRACK STEP VAN
601-8424-000 ON-TRACK PICKUP TRUCK

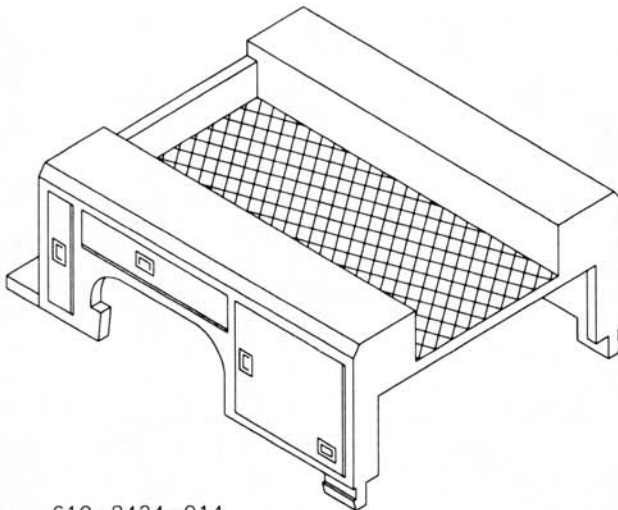
(Page 1 of 3)



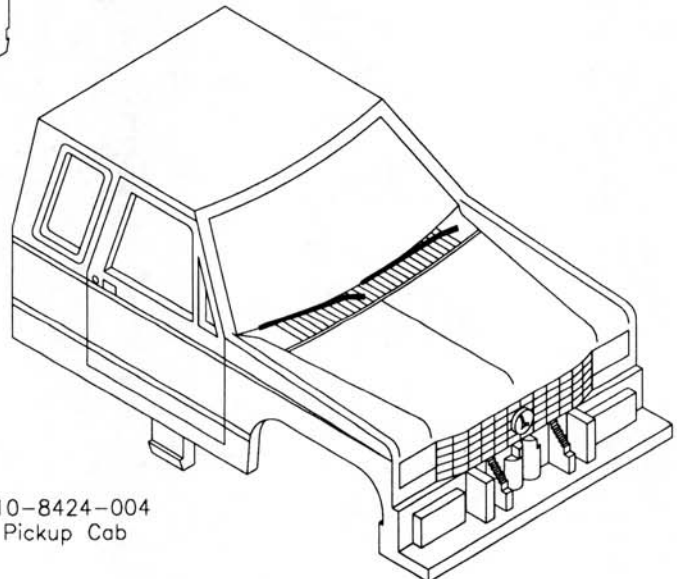
610-8423-014
Step Van Van



610-8423-004
Step Van Cab



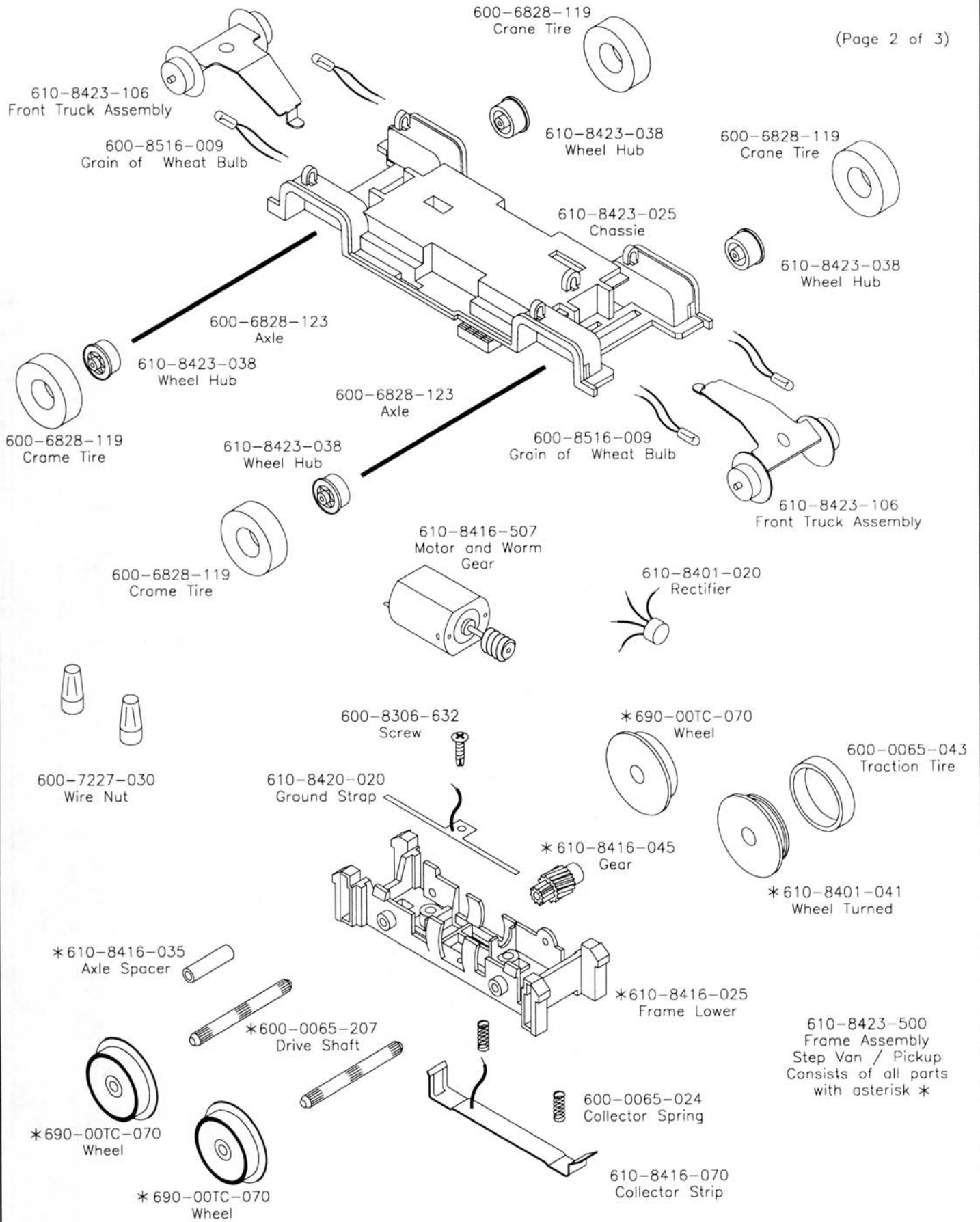
610-8424-014
Pickup Trailer



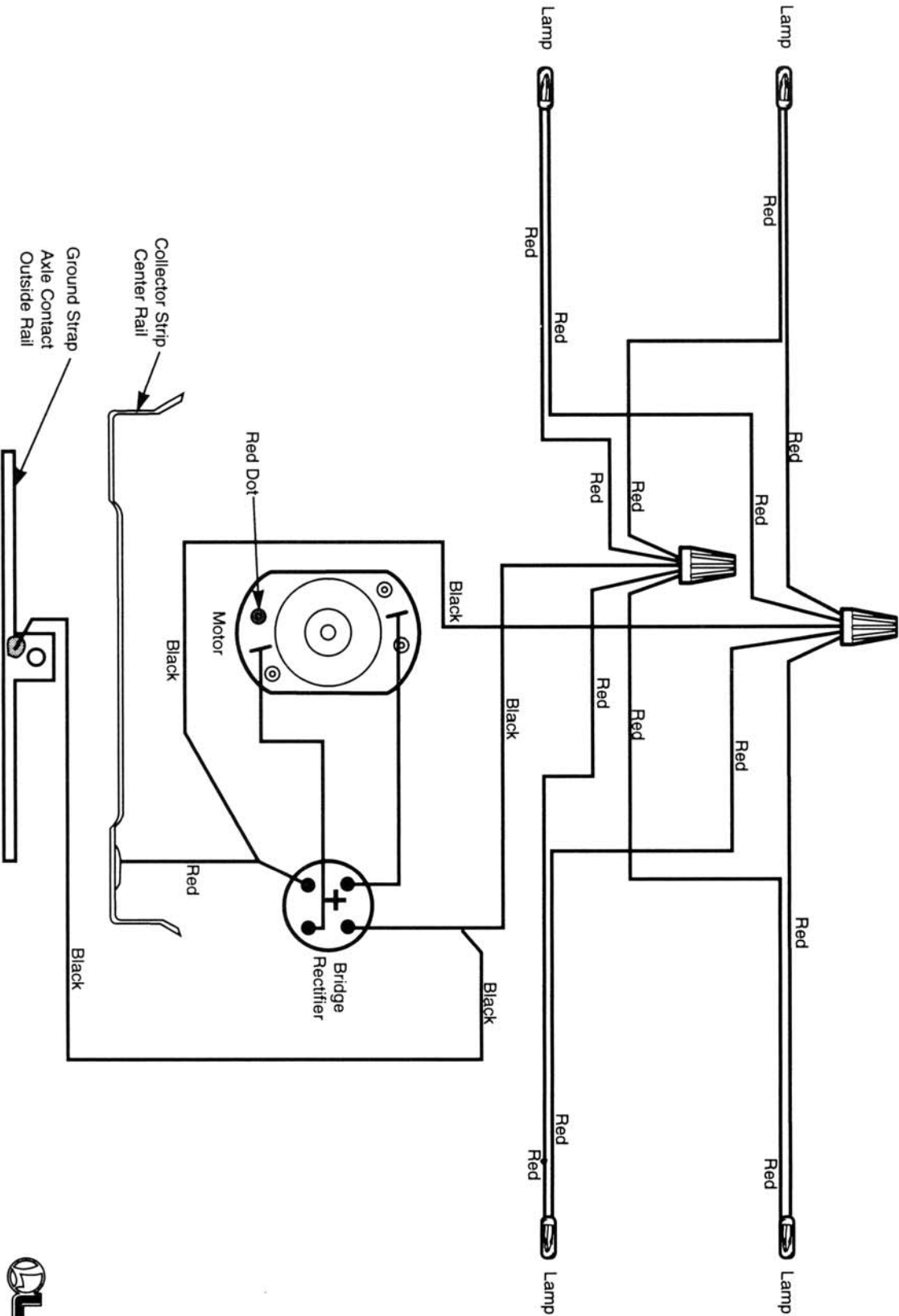
610-8424-004
Pickup Cab

601-8423-000 ON-TRACK STEP VAN
 601-8424-000 ON-TRACK PICKUP TRUCK

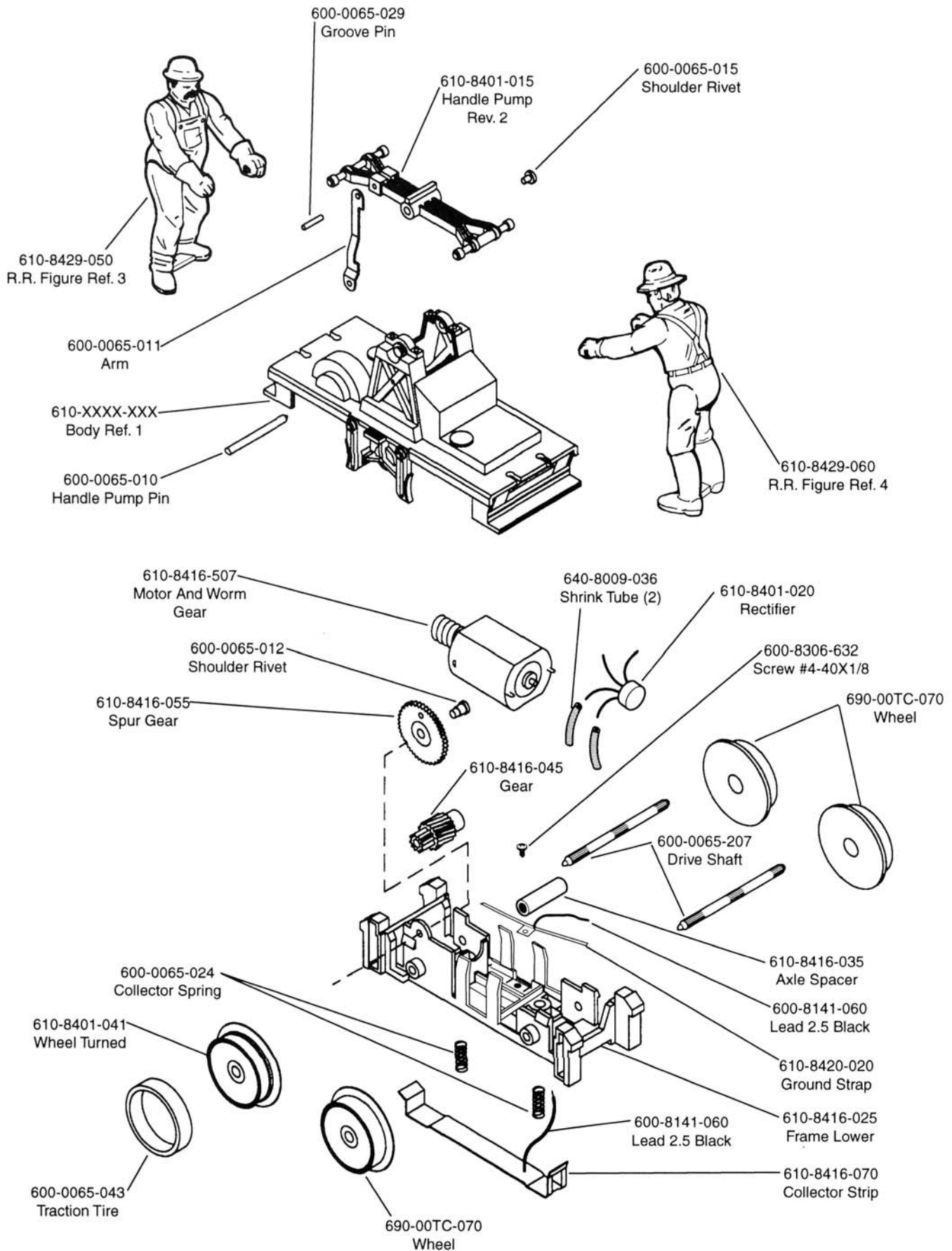
(Page 2 of 3)



601-8423-000 ON TRACK STEP VAN 601-8424-000 ON TRACK PICKUP TRUCK WIRING SCHEMATIC



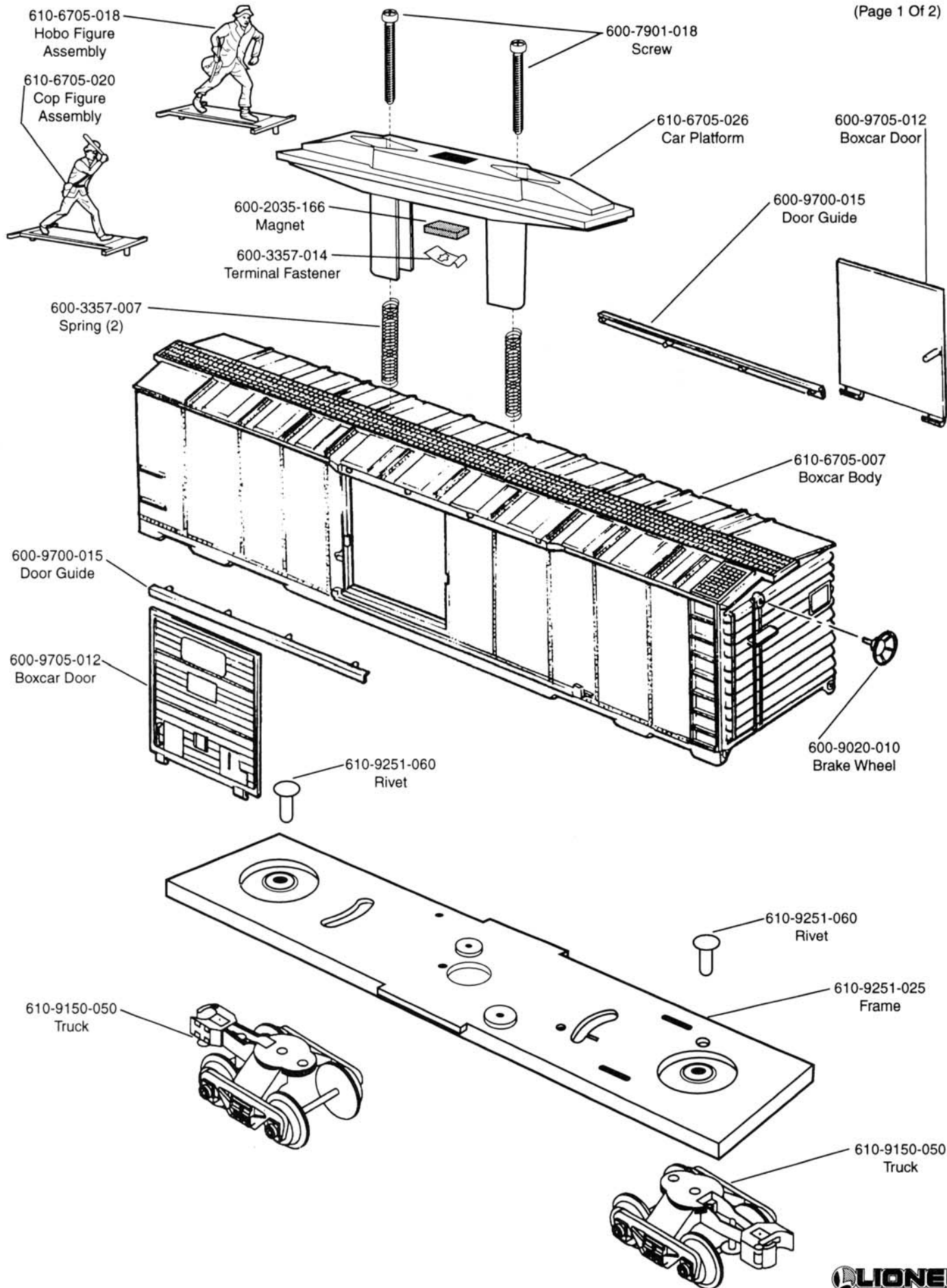
RAILROAD HANDCARS



LIONEL

601-6705-000 COP AND HOBO CAR

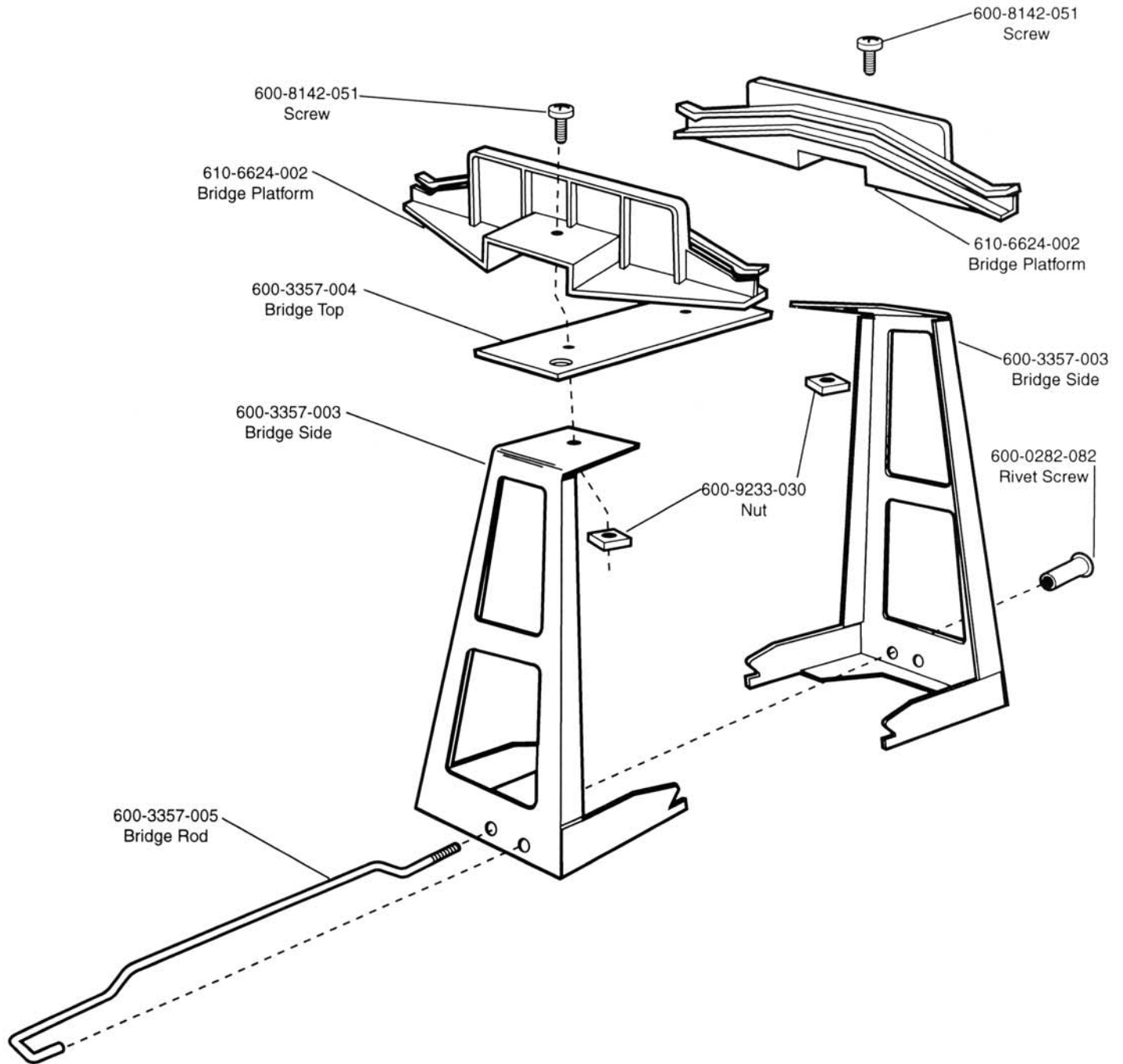
(Page 1 Of 2)



LIONEL

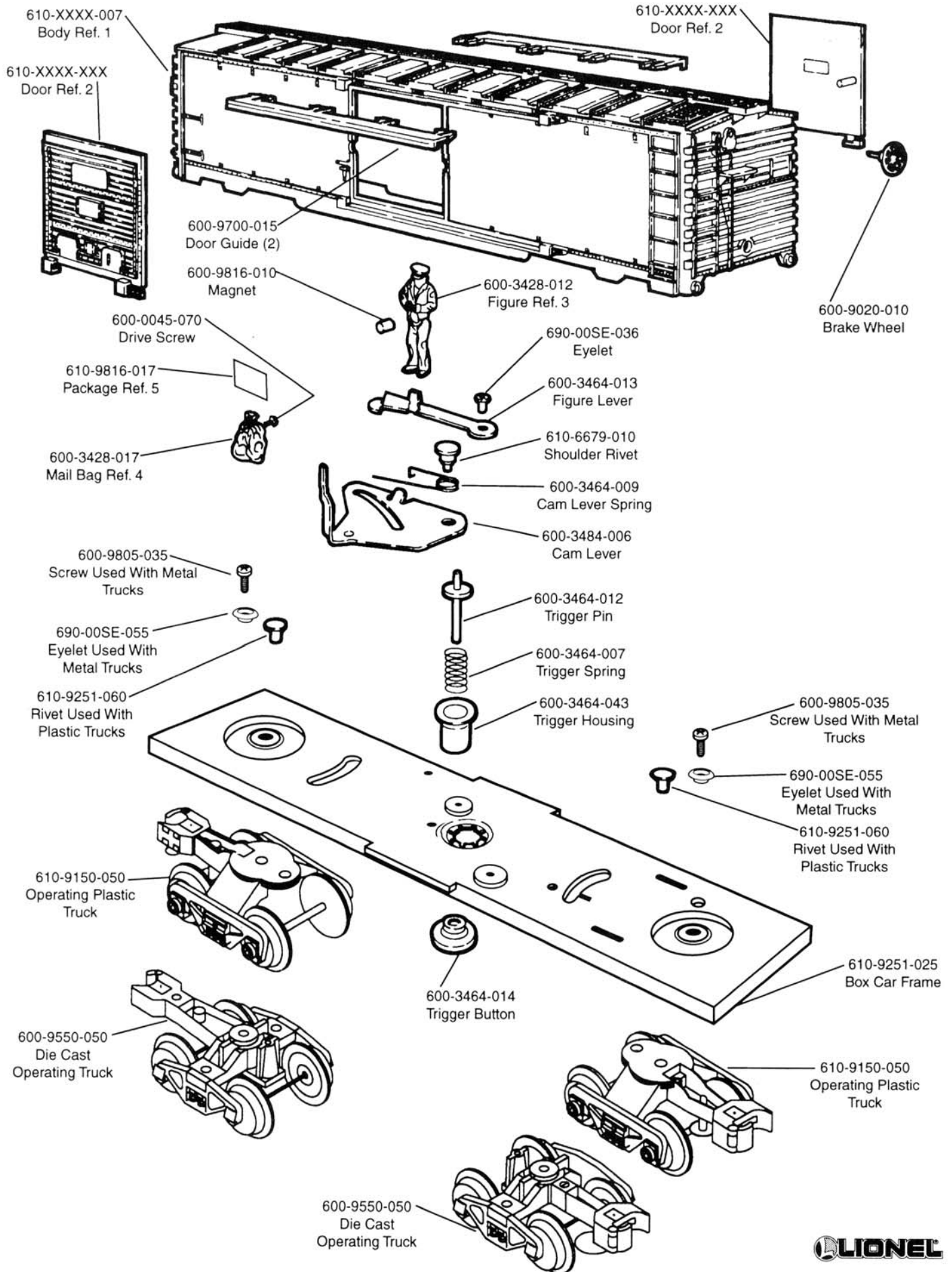
601-6705-000 COP AND HOBO CAR BRIDGE ASSEMBLY

(Page 2 Of 2)

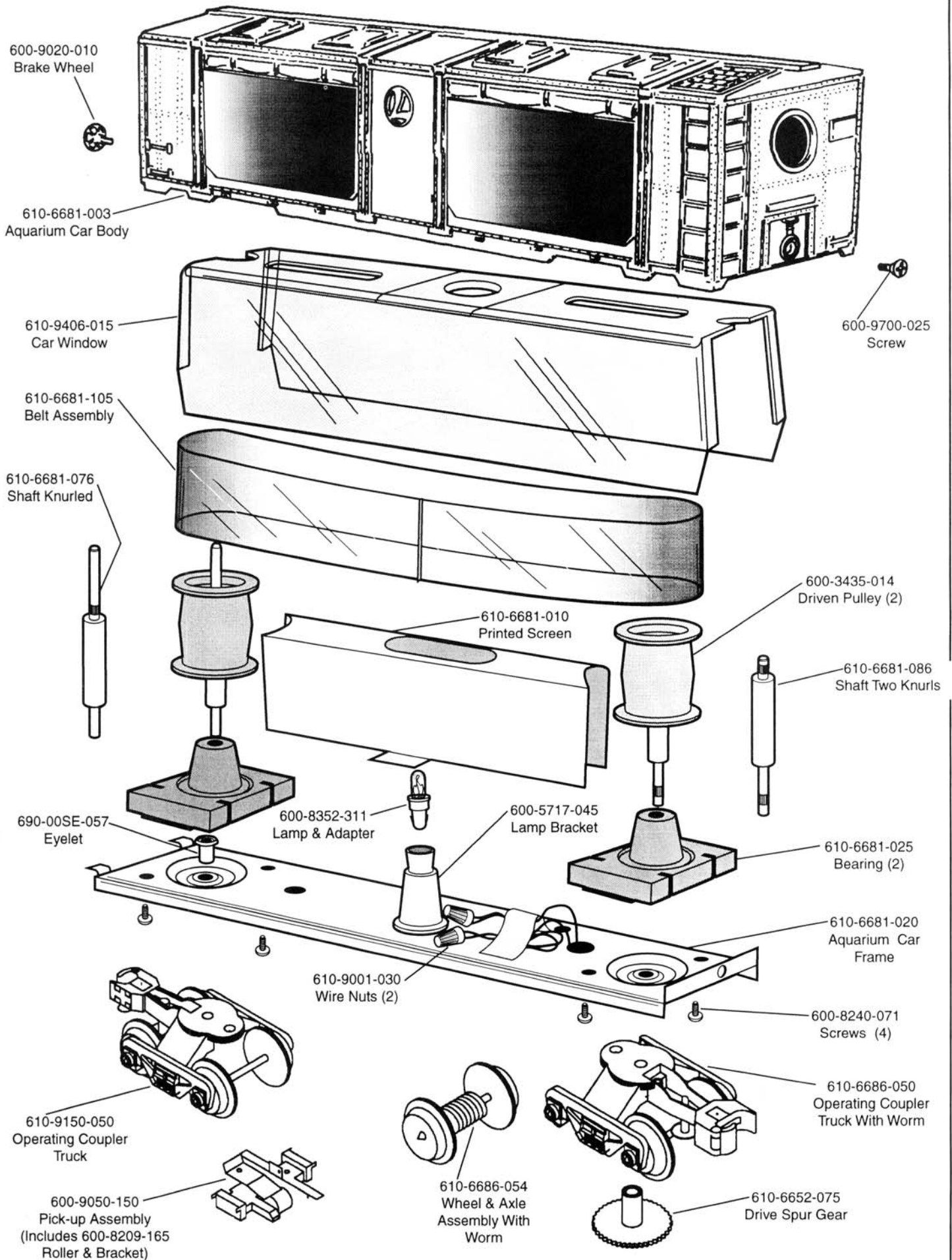


LIONEL

OPERATING BOX CARS



601-6681-000 AQUARIUM CAR



601-6710-000 MISSILE CAR

610-6710-084
Roof Half
(Left Hand)

610-6710-014
Roof Half
(Right Hand)

610-6710-007
Missile Car Body

610-6710-080
Missile Complete

610-6710-100
Launcher

600-1044-060
Eyelet

600-3665-006
Elevating Bar

600-3665-016
Shoulder Rivet

600-3665-004
Cam

600-0566-016
Rivet

600-3665-003
Frame

610-9150-050
Truck

690-0RCS-040
Washer

600-3464-014
Trigger Button

600-1044-060
Eyelet

600-3665-005
Trigger Wire

600-3464-012
Trigger Pin

600-3464-007
Trigger Spring

600-3464-043
Trigger Housing

600-8010-035
Screw

600-9020-010
Brakewheel

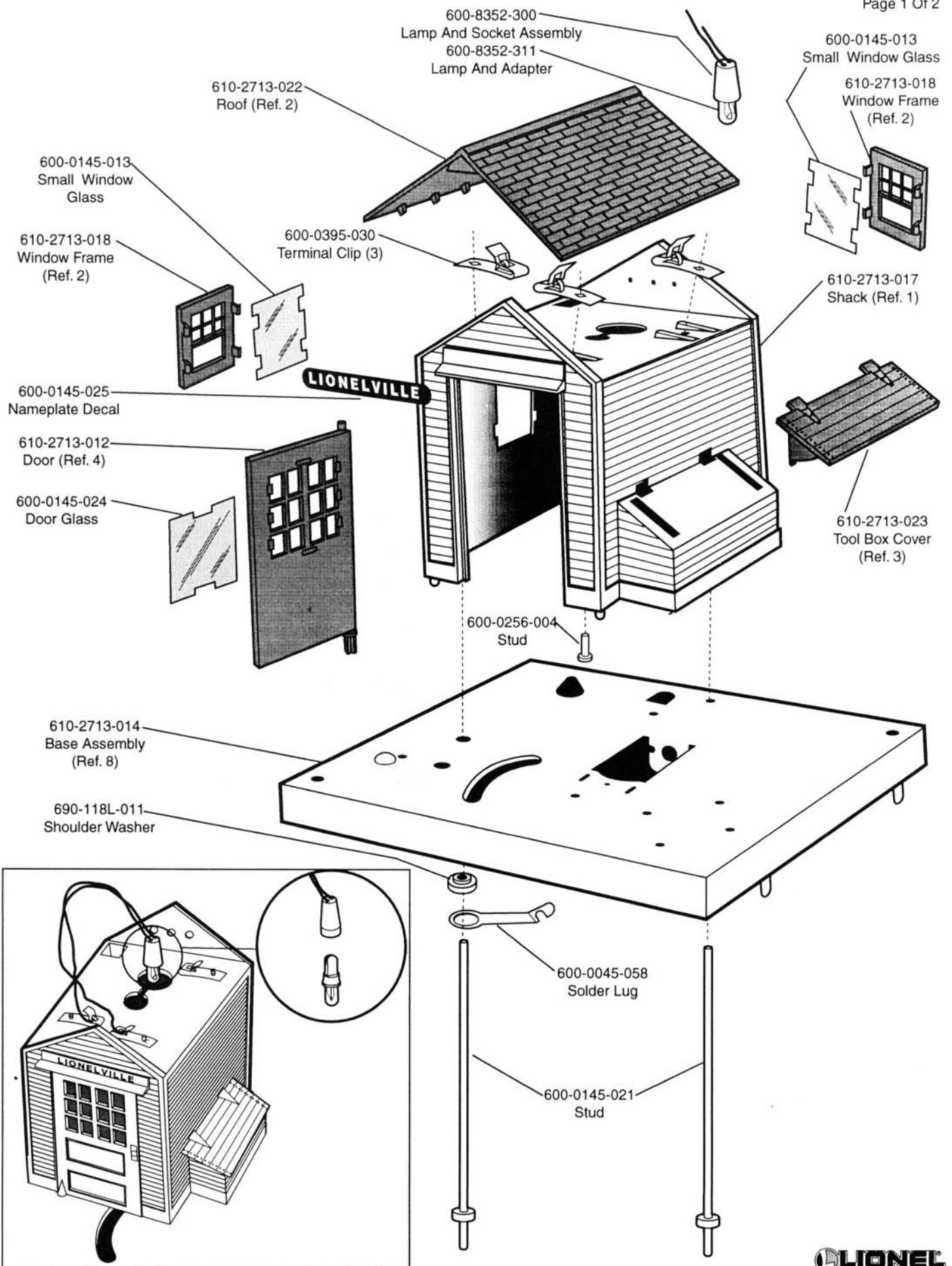
6SP-6710-010
Diaphragm Assembly

600-0566-016
Rivet

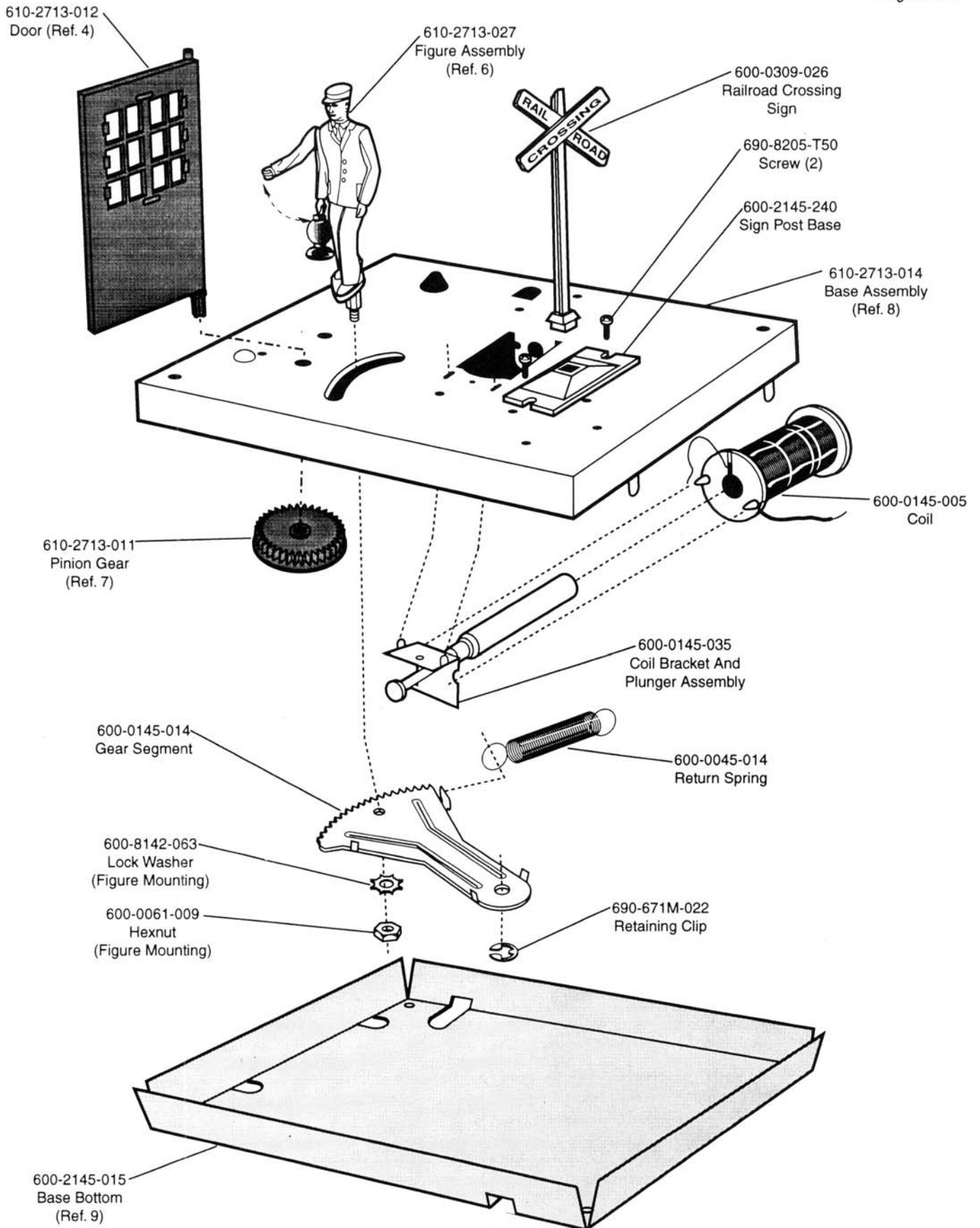
610-9150-050
Truck



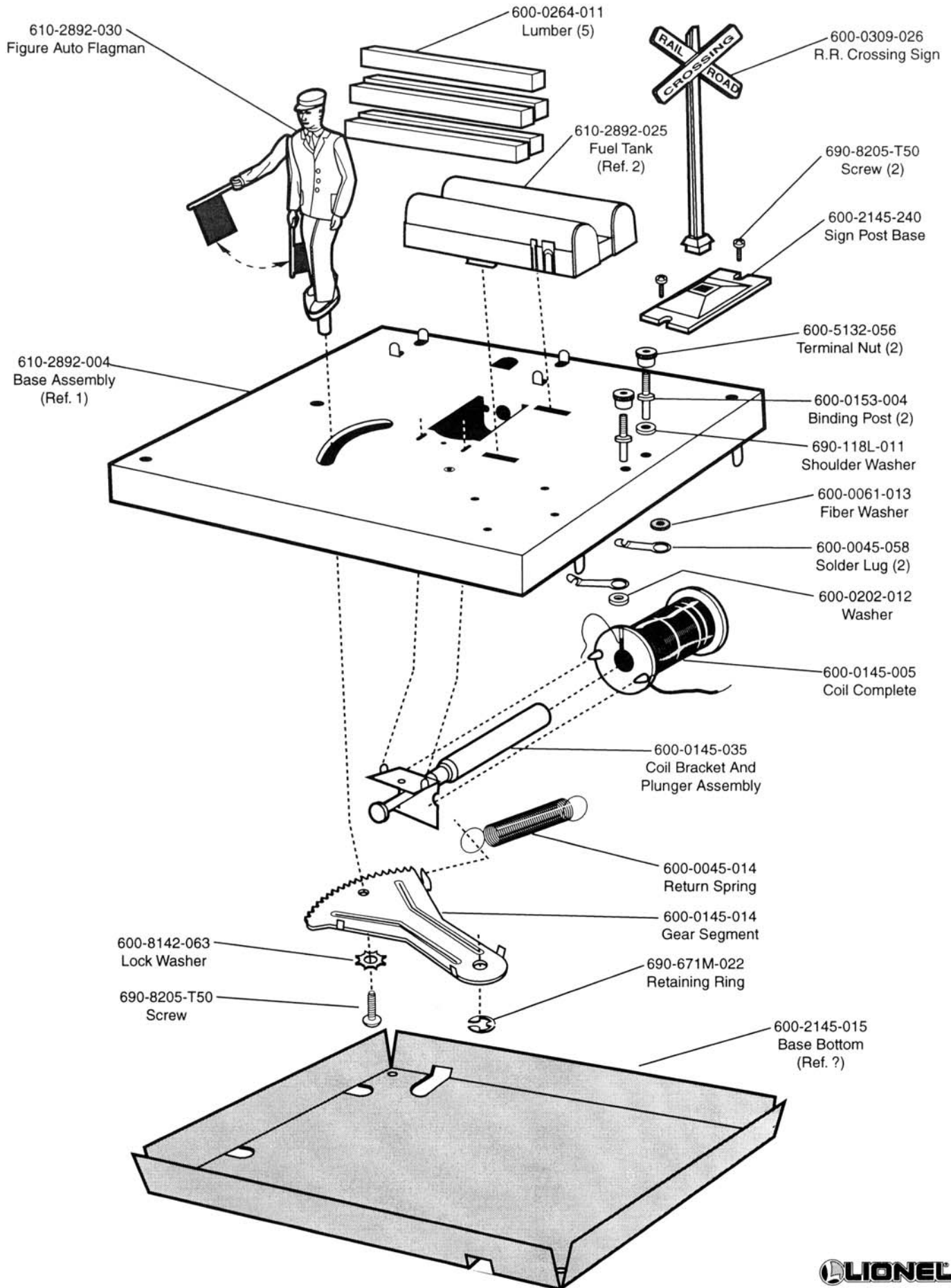
610-2713-001 AUTOMATIC GATEMAN



610-2713-001 AUTOMATIC GATEMAN



601-2892-000 AUTOMATIC FLAGMAN



601-2912-000 PUMPING STATION

