



# LIONEL

## PARTS LIST AND EXPLODED DIAGRAMS SUPPLEMENT 32

*Produced by*  
*Lionel®*  
*50625 Richard W. Boulevard*  
*Chesterfield, MI 48051-2493*

This supplement is designed to fit with two different publications, the *Lionel Service Manual 1977 to 1986* and *Lionel Parts List and Exploded Diagrams*.

Each page has two numbers. The number for the *Lionel Service Manual* is indicated by parentheses, e.g., (A-62). The number which applies to *Lionel Parts Lists and Exploded Diagrams* is above the parentheses, e.g., S32:3-1

**Copyright© 1996**  
**By Lionel**  
**All Rights Reserved**

**INDEX TO  
LIONEL PARTS LISTS AND EXPLODED DIAGRAMS  
SUPPLEMENT 32**

---

---

**ALPHABETICAL INDEX**

**O AND 027 GAUGES**

**DIESEL ENGINES & ELECTRICS**

F-3 A Power unit S32:1-6,7  
601-8123-000 A.C.L.  
GG-1 Dual Motor Electric S32:1-1,2,3,4  
610-8313-001 Pennsylvania

**DUMMY UNITS**

F-3 A Dummy unit S32:2-3  
601-8125-000 A.C.L.  
F-3 B Dummy unit w/R.S. II S32:2-1,2  
601-8124-000 A.C.L.  
F-3 B Dummy unit w/R.S. II S32:2-4,5  
601-8122-000 A.T.S.F.

**STEAM LOCOMOTIVES**

4-4-2 Locomotive S-32:3-5,6  
with headlight, smoke & electronic E-unit  
610-8617-001 Adolphus  
600-8616-001 A.T.S.F.  
601-8618-000 B & O  
610-8649-001 Chevy  
610-8605-001 Chrysler  
610-8614-001 Circus  
610-8612-001 C & NW  
601-8645-000 C & O  
610-8627-001 C & O  
610-8631-001 C & O  
610-8641-001 Ford  
610-8601-001 G.N.  
601-8615-000 G.T.W.  
610-8625-001 I.C.

610-8628-001 M.K.T.  
600-8617-001 N.K.P.  
610-8616-001 N.P.  
610-8613-001 N.Y.C.  
610-8632-001 N.Y.C.  
610-8602-001 P.R.R.  
610-8600-001 Reading  
610-8644-001 S.Fe  
601-8646-000 S.P.  
601-8623-000 T & P  
610-8622-001 U.P.  
610-8633-001 U.P.  
610-8604-001 Wabash  
610-8650-001 X1110  
4-6-4 Hudson Locomotive S32:3-1,2,3,4  
601-8046-000 Wabash

**MOTORS**

Diesel Type S32:1-5  
610-8503-100 Pullmor motor  
Steam Type S32:3-3  
610-8046-100 Six wheel Pullmor motor

**TENDERS**

226T Die-cast type S32:4-1,2  
691-8046-T01 Wabash W/R.S.II

**OPERATING CARS**

Electric Power Generator Car S32:11-1,2  
601-9825-000

## NUMERICAL LISTINGS

---

---

|              |               |              |           |
|--------------|---------------|--------------|-----------|
| 600-8616-001 | S32:3-5,6     | 610-8604-001 | S32:3-5,6 |
| 600-8617-001 | S32:3-5,6     | 610-8605-001 | S32:3-5,6 |
| 601-8046-000 | S32:3-1,2,3,4 | 610-8612-001 | S32:3-5,6 |
| 601-8122-000 | S32:2-4,5     | 610-8613-001 | S32:3-5,6 |
| 601-8123-000 | S32:1-6,7     | 610-8614-001 | S32:3-5,6 |
| 601-8124-000 | S32:2-1,2     | 610-8616-001 | S32:3-5,6 |
| 601-8125-000 | S32:2-3       | 610-8617-001 | S32:3-5,6 |
| 601-8615-000 | S32:3-5,6     | 610-8622-001 | S32:3-5,6 |
| 601-8618-000 | S32:3-5,6     | 610-8625-001 | S32:3-5,6 |
| 601-8623-000 | S32:3-5,6     | 610-8627-001 | S32:3-5,6 |
| 601-8645-000 | S32:3-5,6     | 610-8628-001 | S32:3-5,6 |
| 601-8646-000 | S32:3-5,6     | 610-8631-001 | S32:3-5,6 |
| 601-9825-000 | S32:11-1,2    | 610-8632-001 | S32:3-5,6 |
| 610-8046-100 | S32:3-3       | 610-8633-001 | S32:3-5,6 |
| 610-8313-001 | S32:1-1,2,3,4 | 610-8641-001 | S32:3-5,6 |
| 610-8503-100 | S32:1-5       | 610-8644-001 | S32:3-5,6 |
| 610-8600-001 | S32:3-5,6     | 610-8649-001 | S32:3-5,6 |
| 610-8601-001 | S32:3-5,6     | 610-8650-001 | S32:3-5,6 |
| 610-8602-001 | S32:3-5,6     | 691-8046-T01 | S32:4-1,2 |

# LIONEL SERVICE MANUAL

## INDEX BY LETTER

### SUPPLEMENT 32

| Description  | Drawing  |
|--|--|
| <b>Diesel Locomotives</b>  |  |
| F-3 A Power unit .....<br>601-8123-000 A.C.L.  | (B-68), (B-68-2)   |
| <b>Electric</b>  |  |
| GG-1 .....<br>610-8313-001 Pennsylvania  | (B-67), (B-67-2), (B-67-3), (B-67-4)   |
| <b>Dummy units</b>   |  |
| F-3 B-unit w/R.S. II .....<br>601-8124-000 A.C.L.  | (C-52), (C-52-2)   |
| F-3 A-unit .....<br>601-8125-000 A.C.L.  | (C-53), (C-53-2)   |
| F-3 B-unit w/R.S. II .....<br>601-8122-000 A.T.S.F.  | (C-54), (C-54-2)   |
| <b>Steam Locomotives</b>   |  |
| 4-6-4 Wabash Hudson .....<br>601-8046-000  | (A-62), (A-62-2), (A-62-3), (A-62-4)   |
| 4-4-2 w/smoke, headlight, & Elect. E-unit .....<br>600-8616-001 A.T.S.F.<br>600-8617-001 N.K.P.<br>601-8615-000 G.T.W.<br>601-8618-000 B & O<br>601-8123-000 T & P<br>601-8645-000 C & O<br>601-8646-000 S. P.<br>610-8600-001 Reading<br>610-8601-001 G.N.<br>610-8602-001 P.R.R.<br>610-8604-001 Wabash<br>610-8605-001 Chrysler<br>610-8612-001 C & NW<br>610-8613-001 N.Y.C. | (A-63), (A-63-2)<br>610-8614-001 Circus<br>610-8616-001 N.P.<br>610-8617-001 Adolphus<br>610-8622-001 U.P.<br>610-8625-001 I.C.<br>610-8627-001 C & O<br>610-8628-001 M.K.T.<br>610-8631-001 C & O<br>610-8632-001 N.Y.C.<br>610-8633-001 U.P.<br>610-8641-001 Ford<br>610-8644-001 S.Fe<br>610-8649-001 Chevy<br>610-8650-001 X1110 |

Motors

Diesel type

Pullmor motor ..... (D-66)  
610-8503-100

Steam type

Six wheel Pullmor motor ..... (A-62-3)  
610-8046-100

Tenders

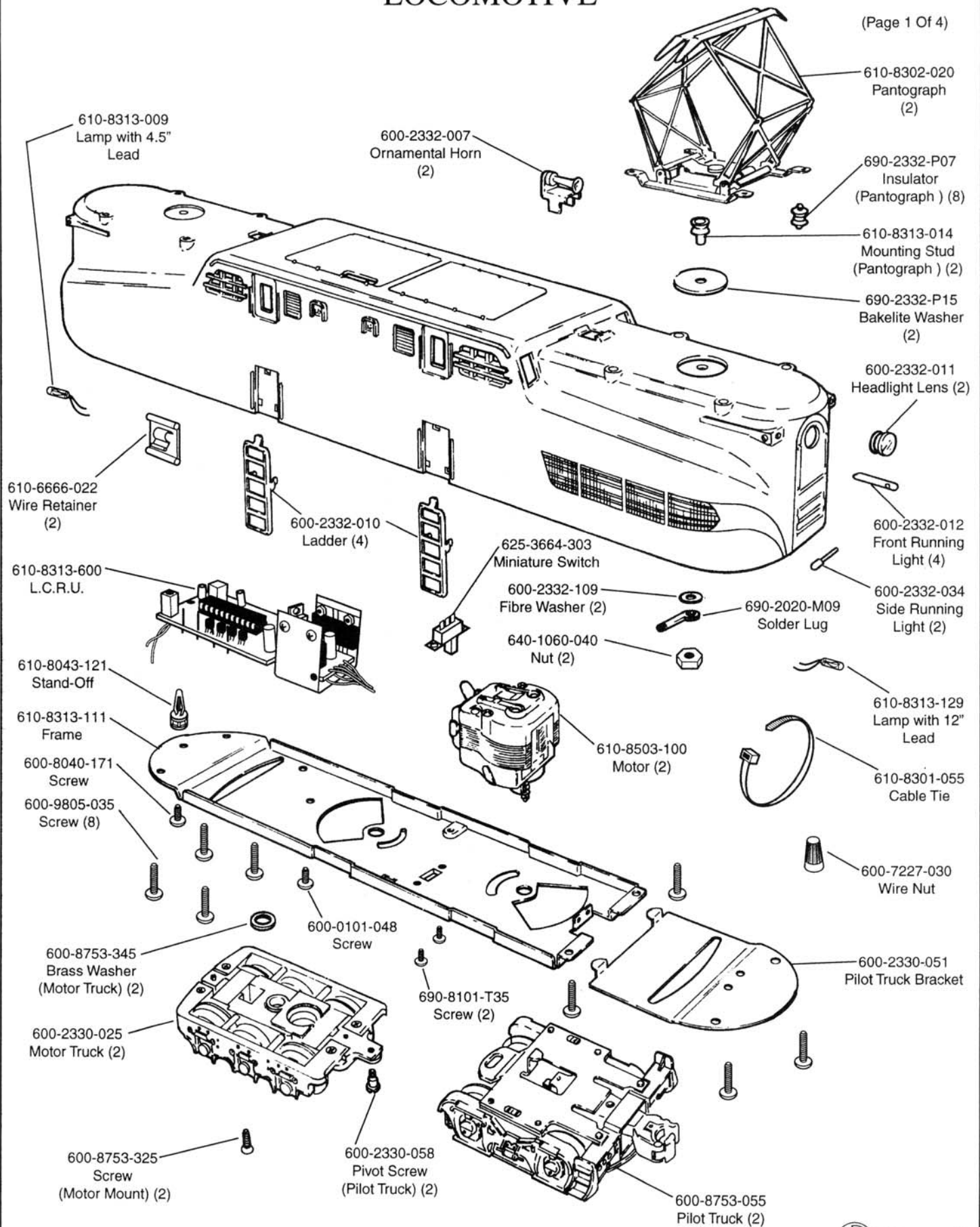
226T Die-cast type ..... (C-55), (C-55-2)  
691-8046-T01 Wabash w/R.S. II

Operating cars

Electric Power Generator car ..... (F-131), (F-131-2)  
601-9825-000

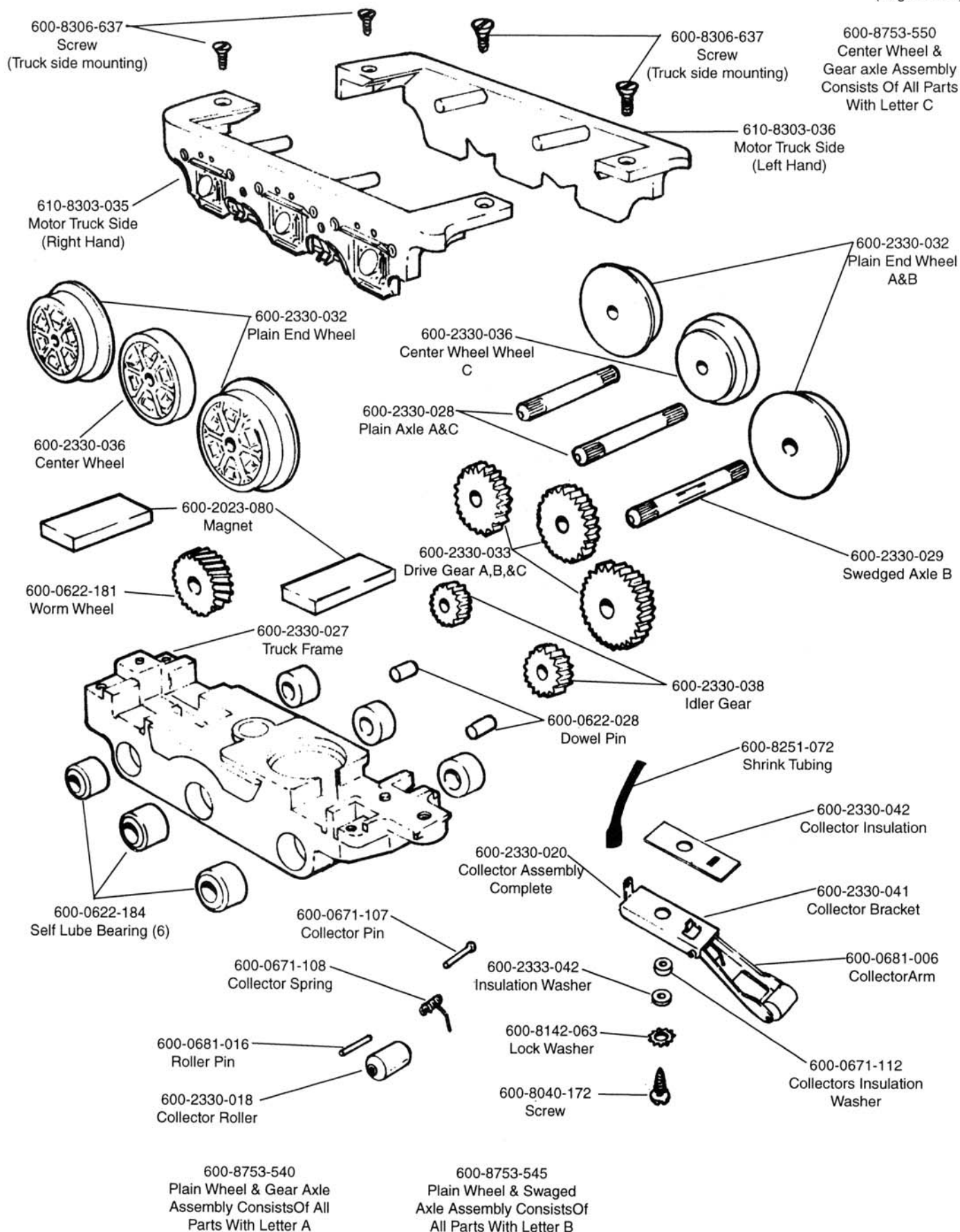
# 610-8313-001 PENNSYLVANIA GG-1 DUAL MOTOR ELECTRIC LOCOMOTIVE

(Page 1 Of 4)



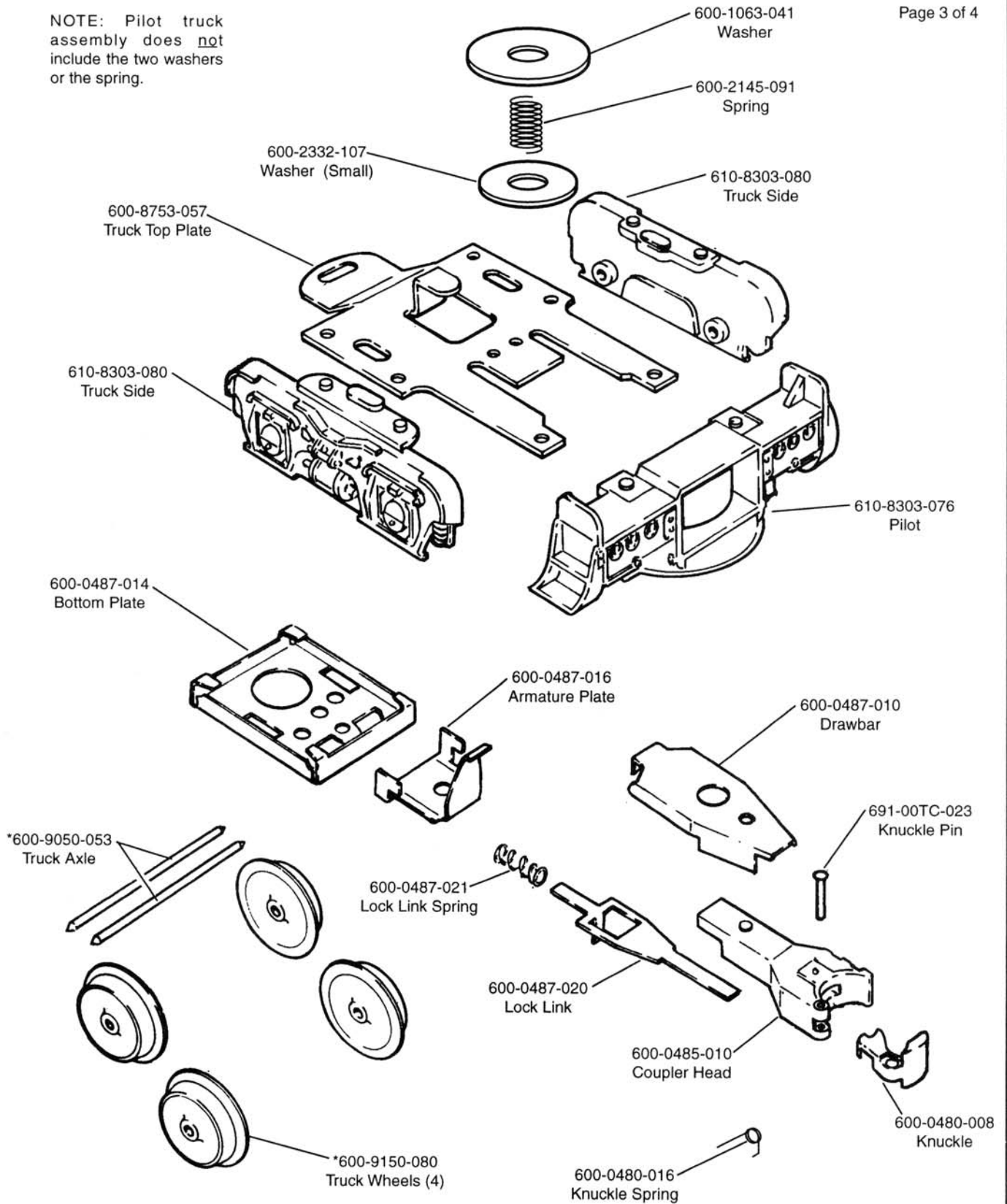
# 600-2330-025 MOTOR TRUCK

(Page 2 Of 4)



# 600-8753-055 PILOT TRUCK (GG-1 PILOT)

NOTE: Pilot truck assembly does not include the two washers or the spring.

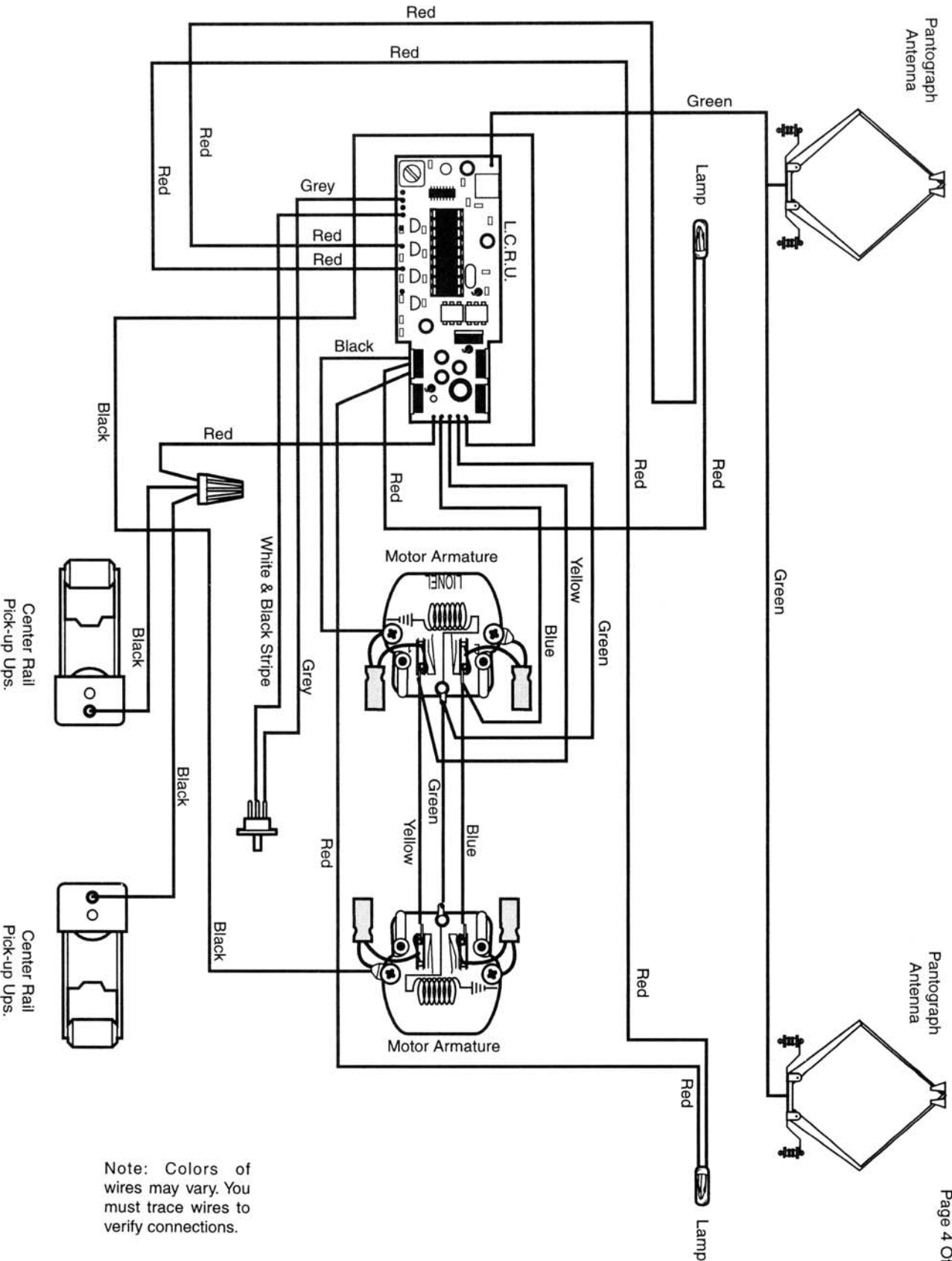


600-9050-054 wheel & axle assembly includes parts with \*



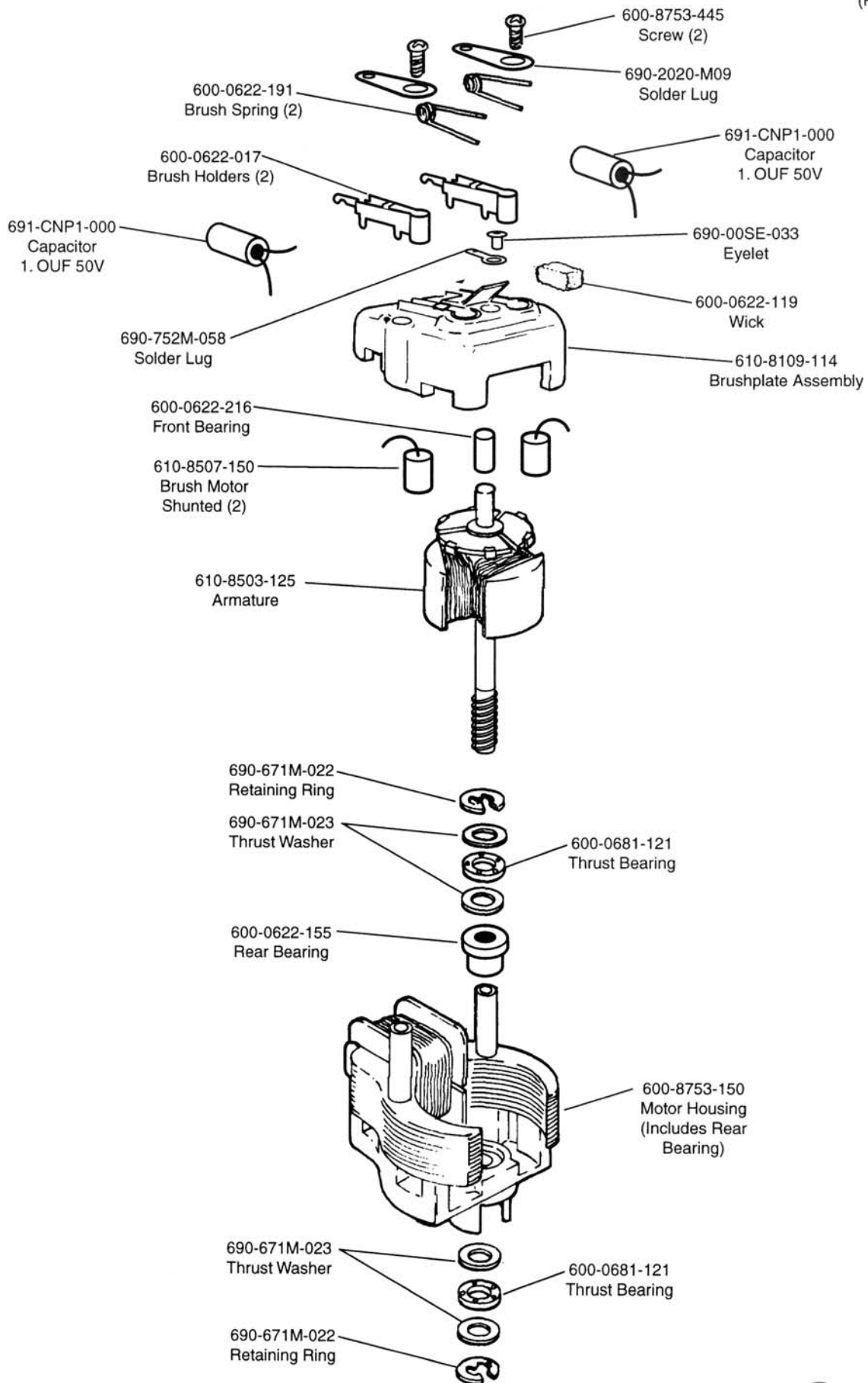


# 610-8313-001 GG-1 WIRING SCHEMATIC

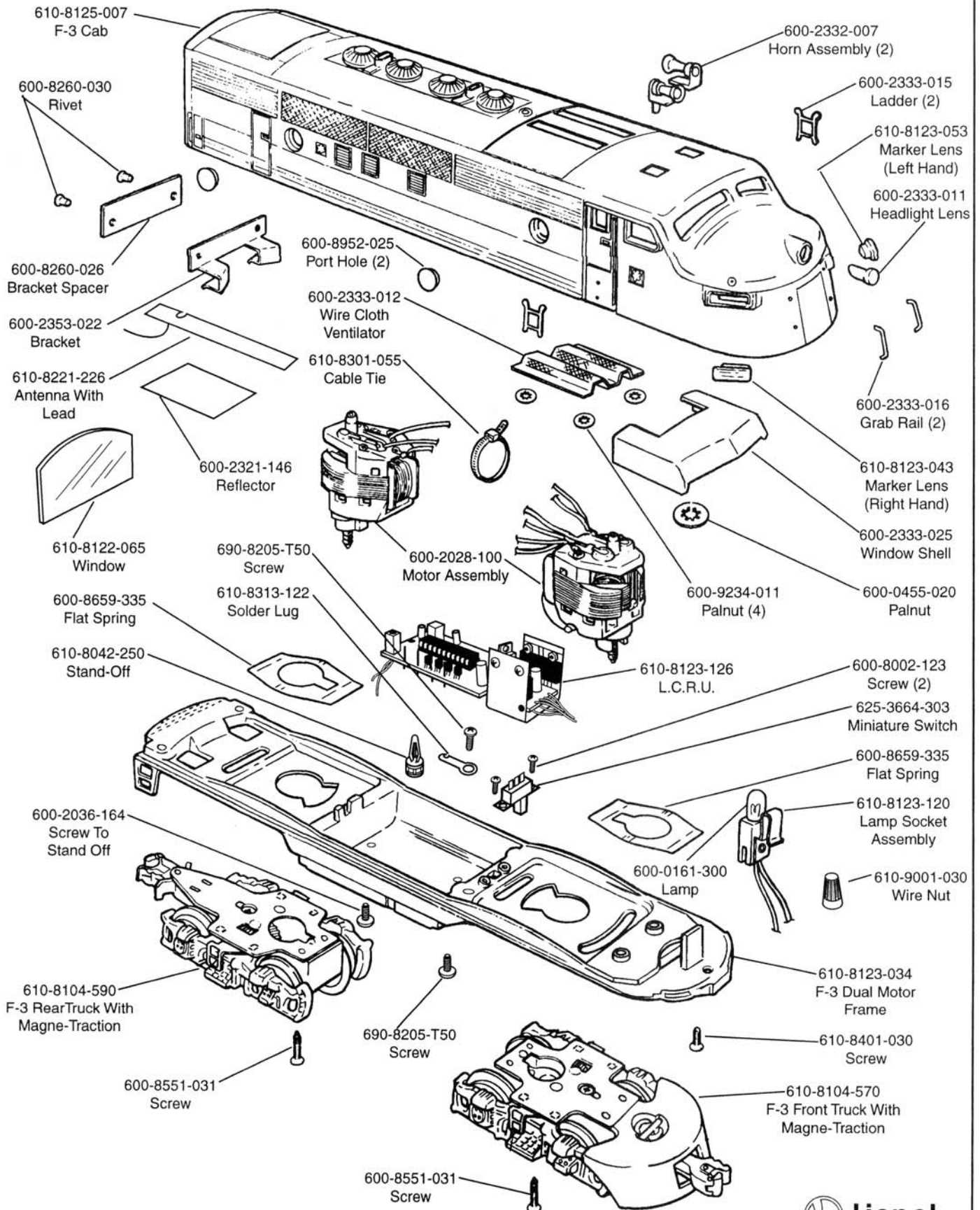


# 610-8503-100 MOTOR

(Page 1 Of 1)

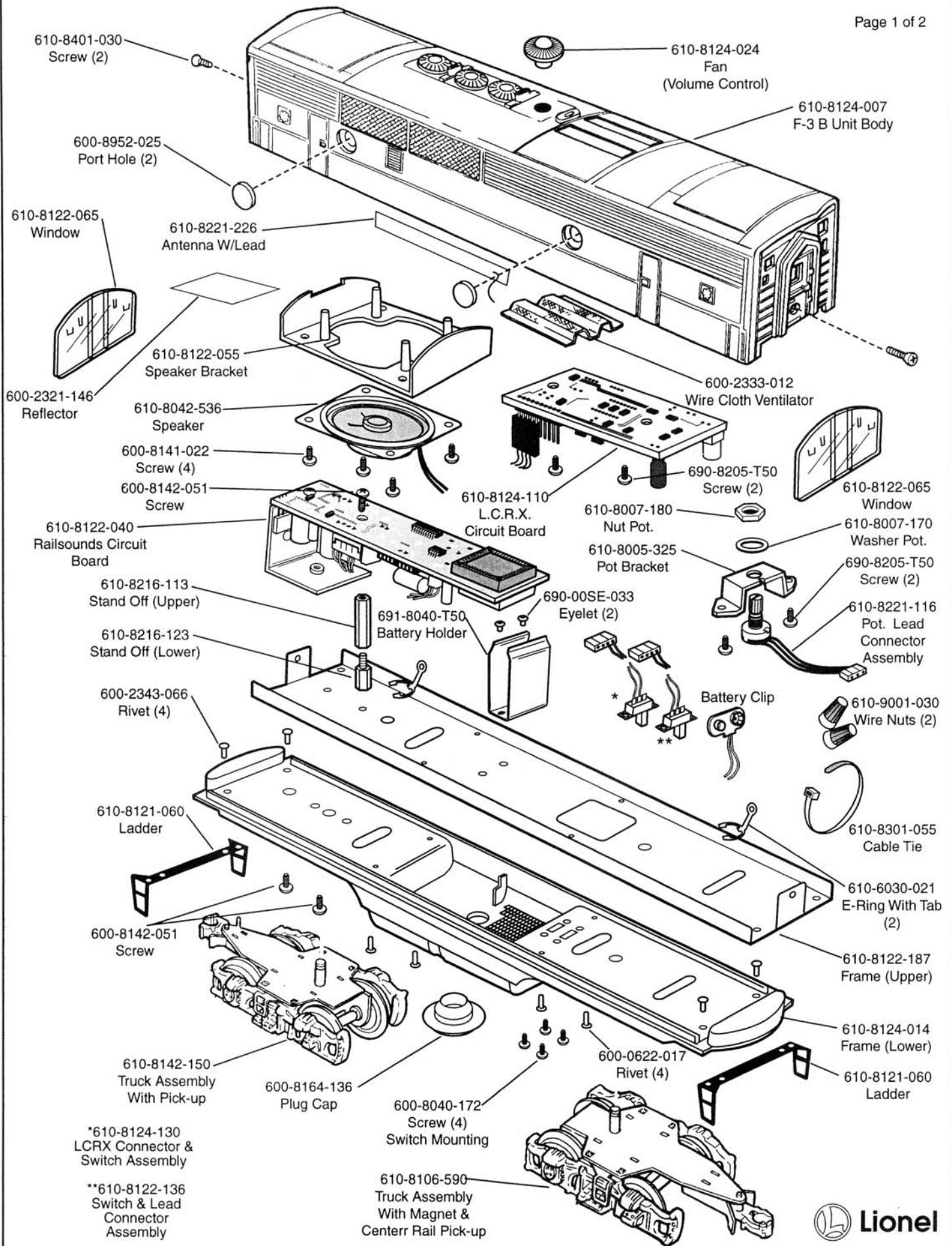


# 601-8123-000 F-3 A POWER A.C.L.



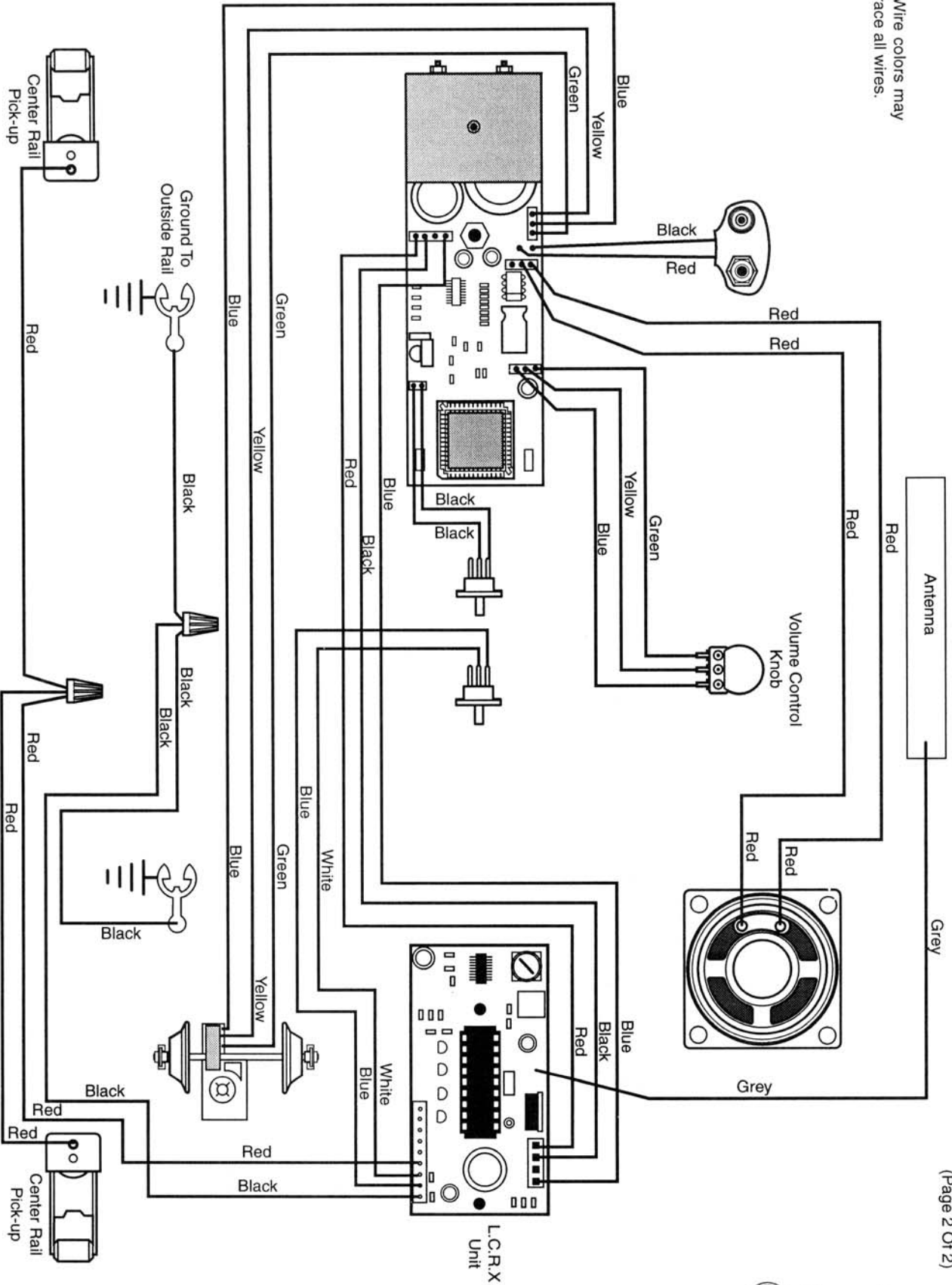


# 601-8124-000 A.C.L. B-UNIT WITH RAILSOUNDS II

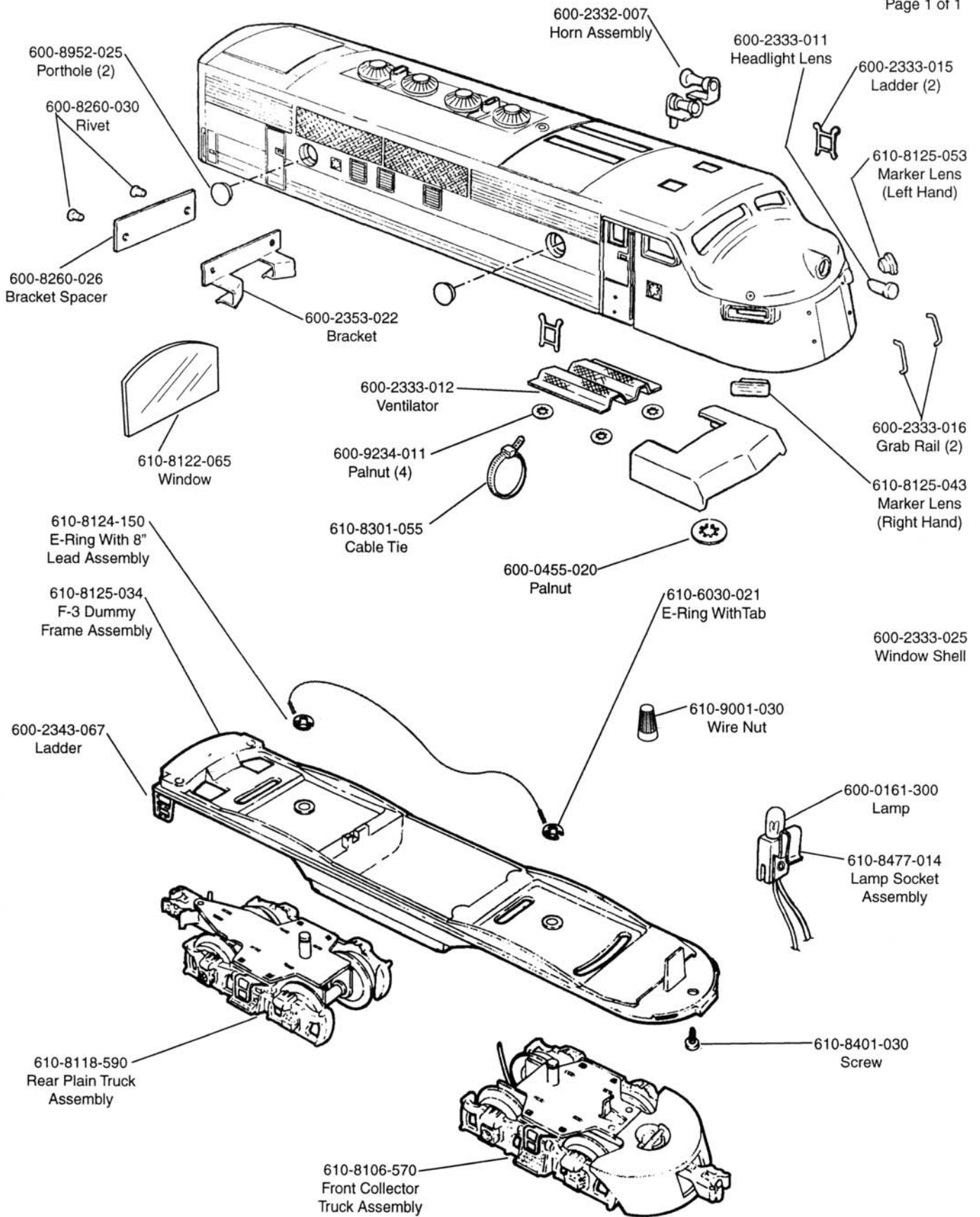


# 601-8124-000 A.C.L. F-3 B-UNIT WITH RAIL SOUNDS II WIRING SCHEMATIC

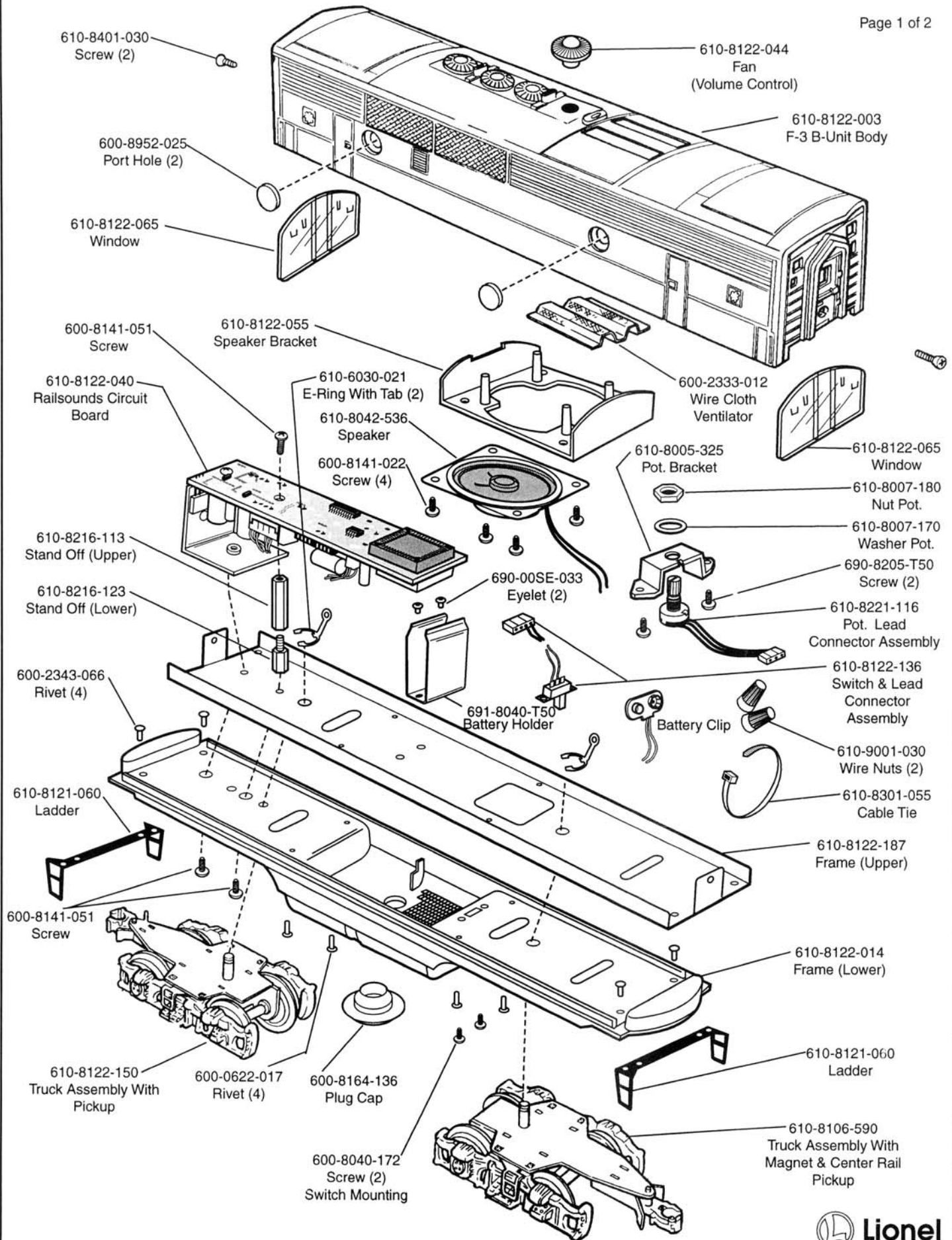
Note: Wire colors may vary, trace all wires.



# 601-8125-000 A.C.L. NON-POWERED F-3 A UNIT



# 601-8122-000 A.T.& S.F. B-UNIT WITH RAILSOUNDS II

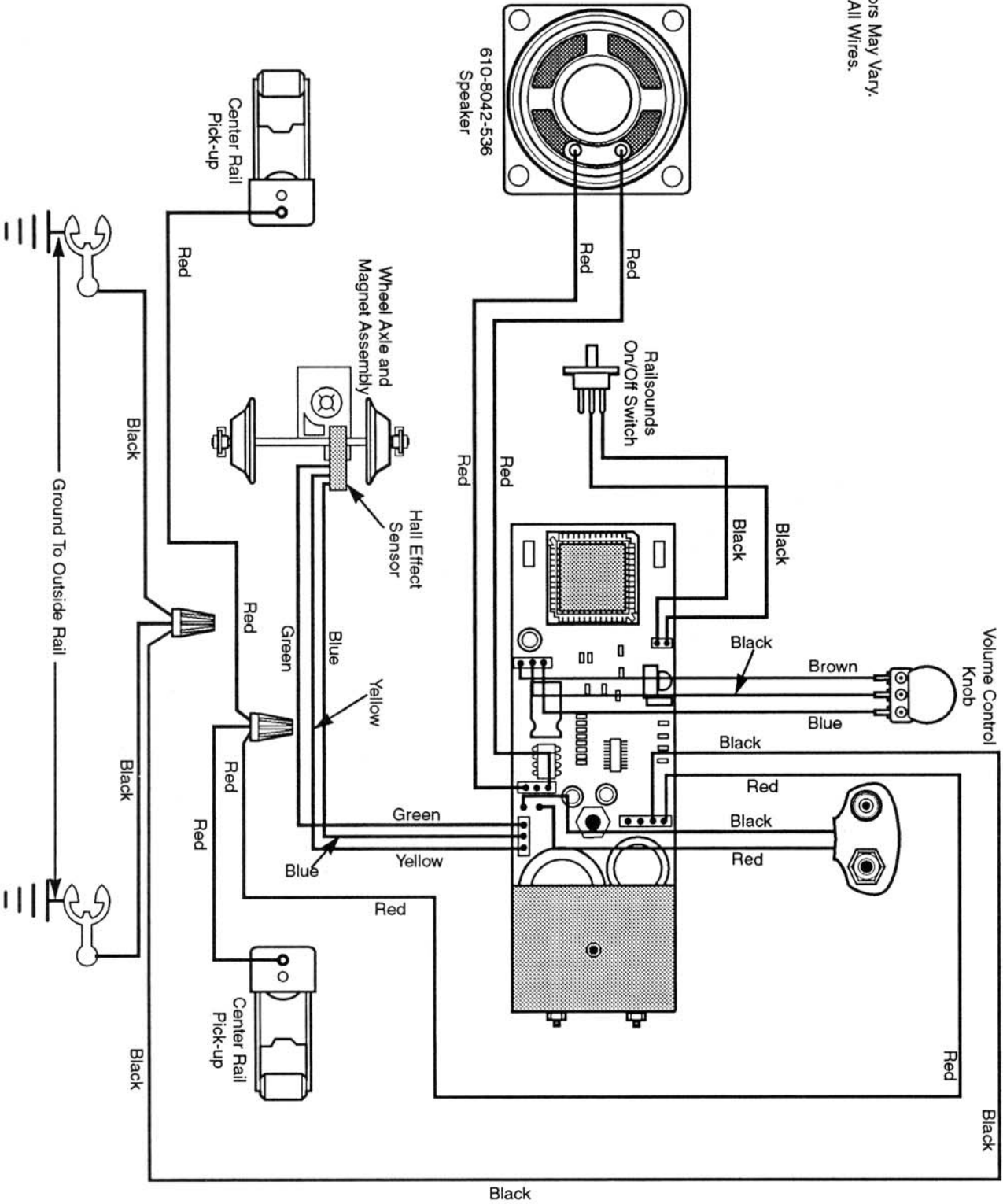




# 601-8122-000 A.T.S.F. F-3 B-UNIT WITH RAILSOUNDS II WIRING SCHEMATIC

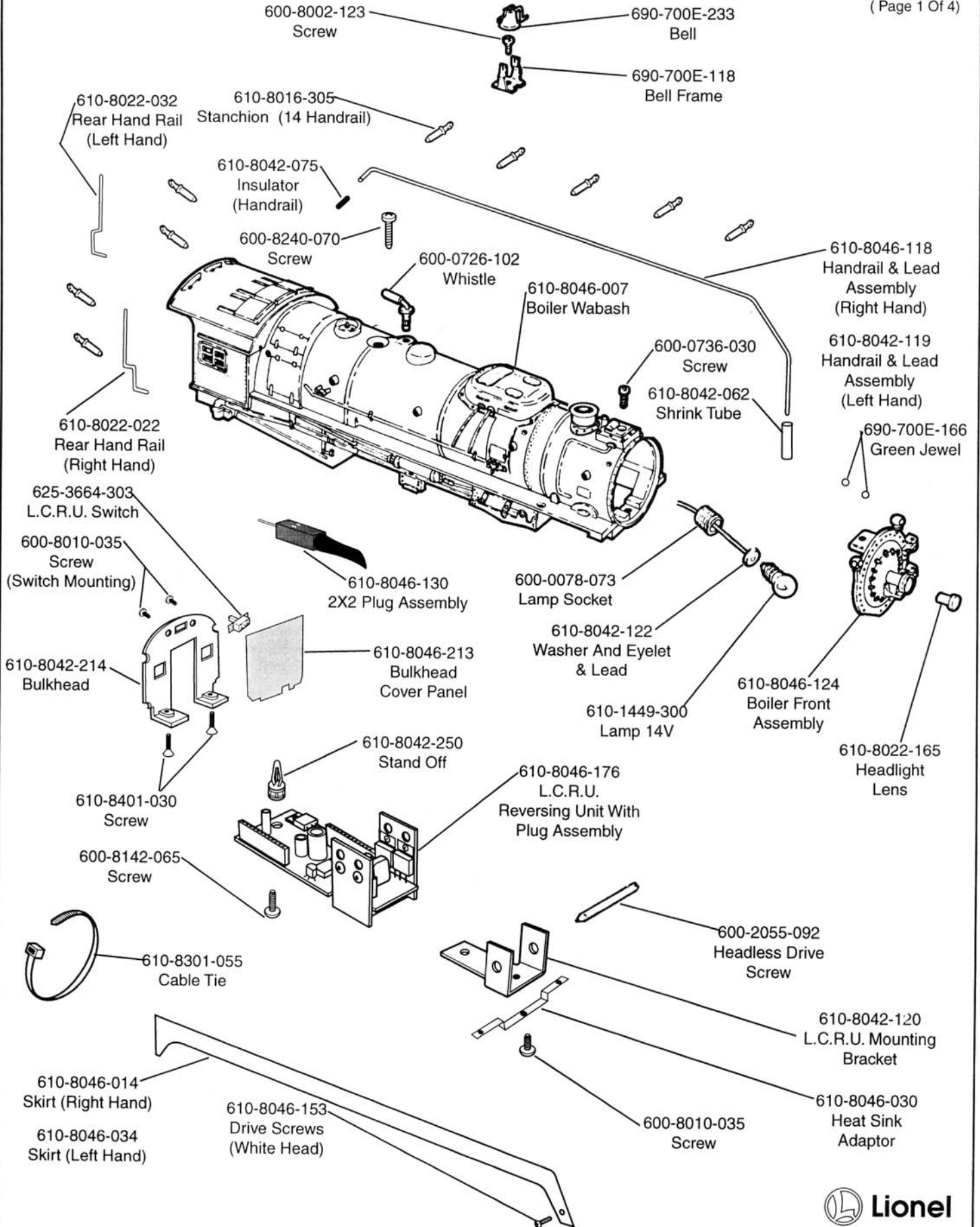
(Page 2 Of 2)

Wire Colors May Vary.  
Trace All Wires.



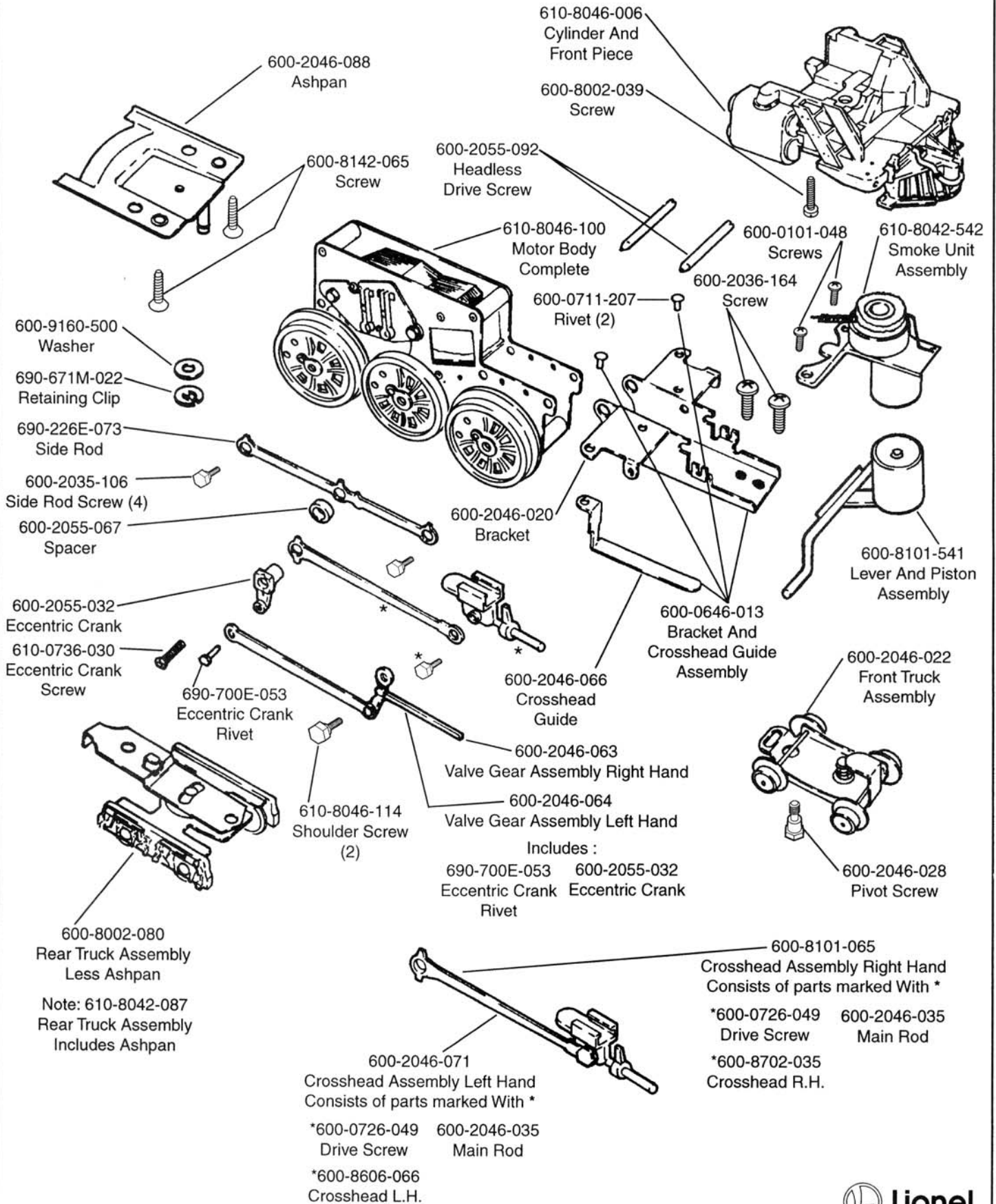
# 601-8046-000 4-6-4 WABASH HUDSON

( Page 1 Of 4 )



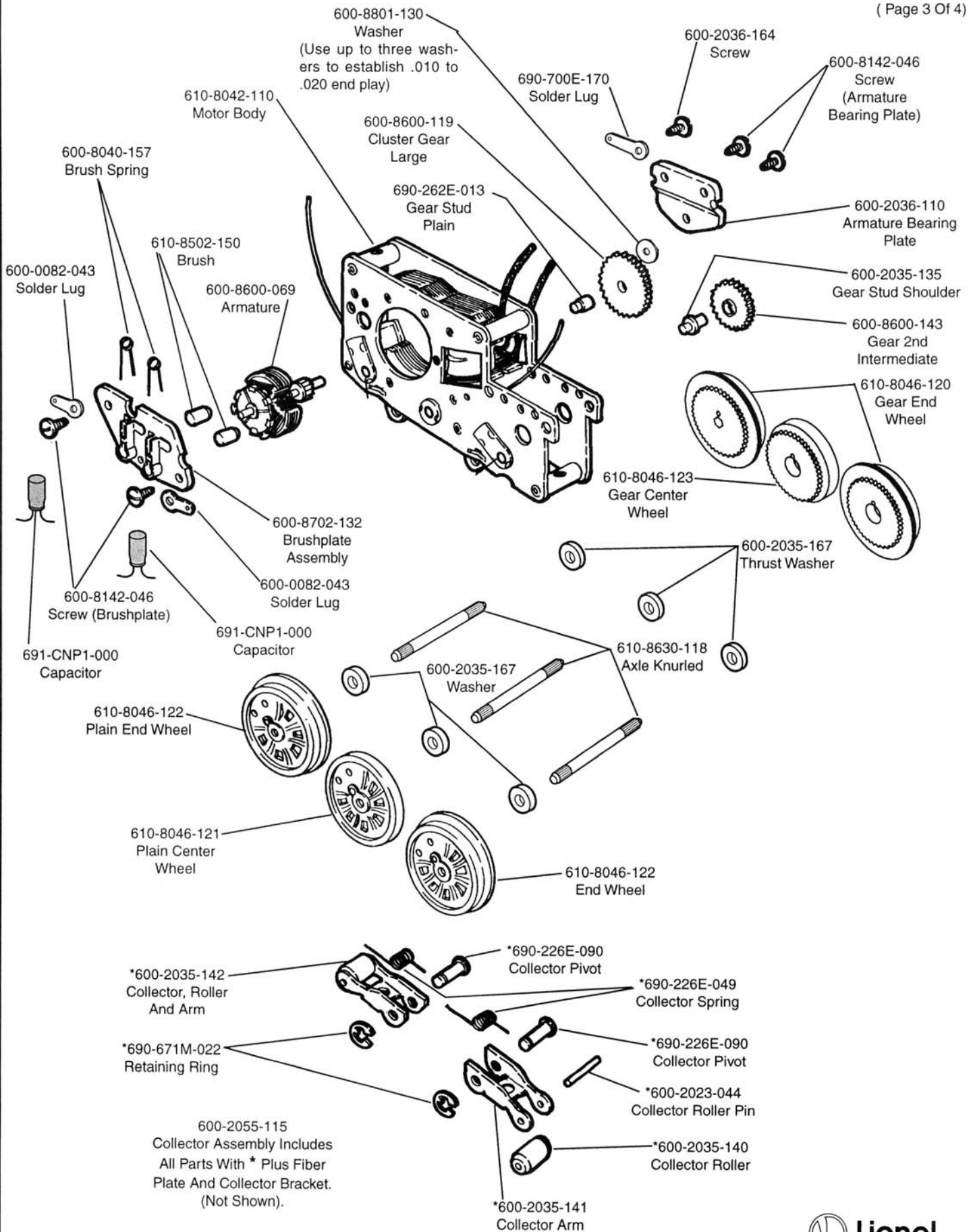
# 601-8046-000 4-6-4 WABASH HUDSON

( Page 2 Of 4 )



# 610-8046-100 WABASH HUDSON SIX WHEEL MOTOR

( Page 3 Of 4 )

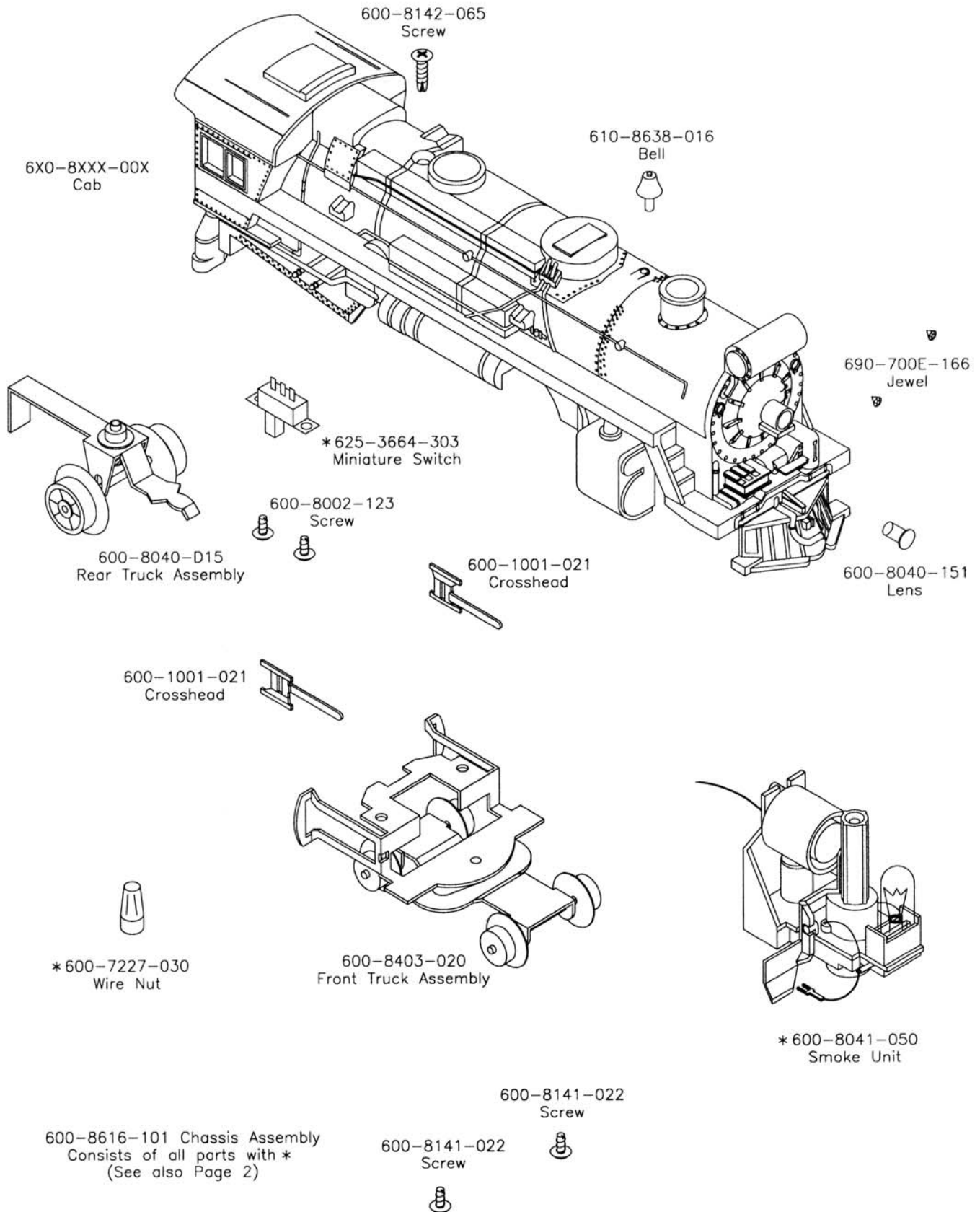




# 4-4-2 STEAM LOCOMOTIVE

## With Smoke, Headlight, and Electronic E-Unit

(Page 1 of 2)



# 4-4-2 STEAM LOCOMOTIVE

## With Smoke, Headlight, and Electronic E-Unit (Page 2 of 2)

600-8616-101 Chassis Assembly  
 Consists of all parts with \*  
 (See also Page 1)

\* 600-0242-206  
 Traction Tire

\* 600-8616-122  
 Wheel with Gear  
 and Boss, Undercut

\* 600-8616-055  
 E-Unit Mounting Bracket

600-8141-020  
 Drive Rod Screw

600-8403-032  
 Drive Rod Spacer

600-8403-030  
 Drive Rod

600-8141-020  
 Drive Rod Screw

690-1666-E16  
 Side Rod

\* 600-8304-165  
 Screw

\* 600-8500-129  
 Wheel with Gear  
 and Boss

\* 600-8161-125  
 Gear Retainer

\* 600-0103-001  
 E-Unit

\* Frame Assembly  
 not available separately

\* 600-8040-118  
 Cluster Gear

\* 600-8040-117  
 Idler Gear

\* 610-4690-040  
 Lockwasher #4

\* 600-8903-127  
 Terminal Ring

\* 600-0101-048  
 Screw

\* 600-8008-105  
 DC Motor and Pinion

\* 600-2026-107  
 Axle Bushing

\* 600-2026-122  
 Axle

\* 600-8500-131  
 Plain Wheel with Boss

\* 600-8403-130  
 Roller Contact and Lead

\* 600-8500-131  
 Plain Wheel with Boss

\* 600-2026-122  
 Axle

600-8403-032  
 Drive Rod Spacer

600-8141-020  
 Drive Rod Screw

690-1666-E16  
 Side Rod

\* 600-8209-165  
 Roller Bracket Assembly

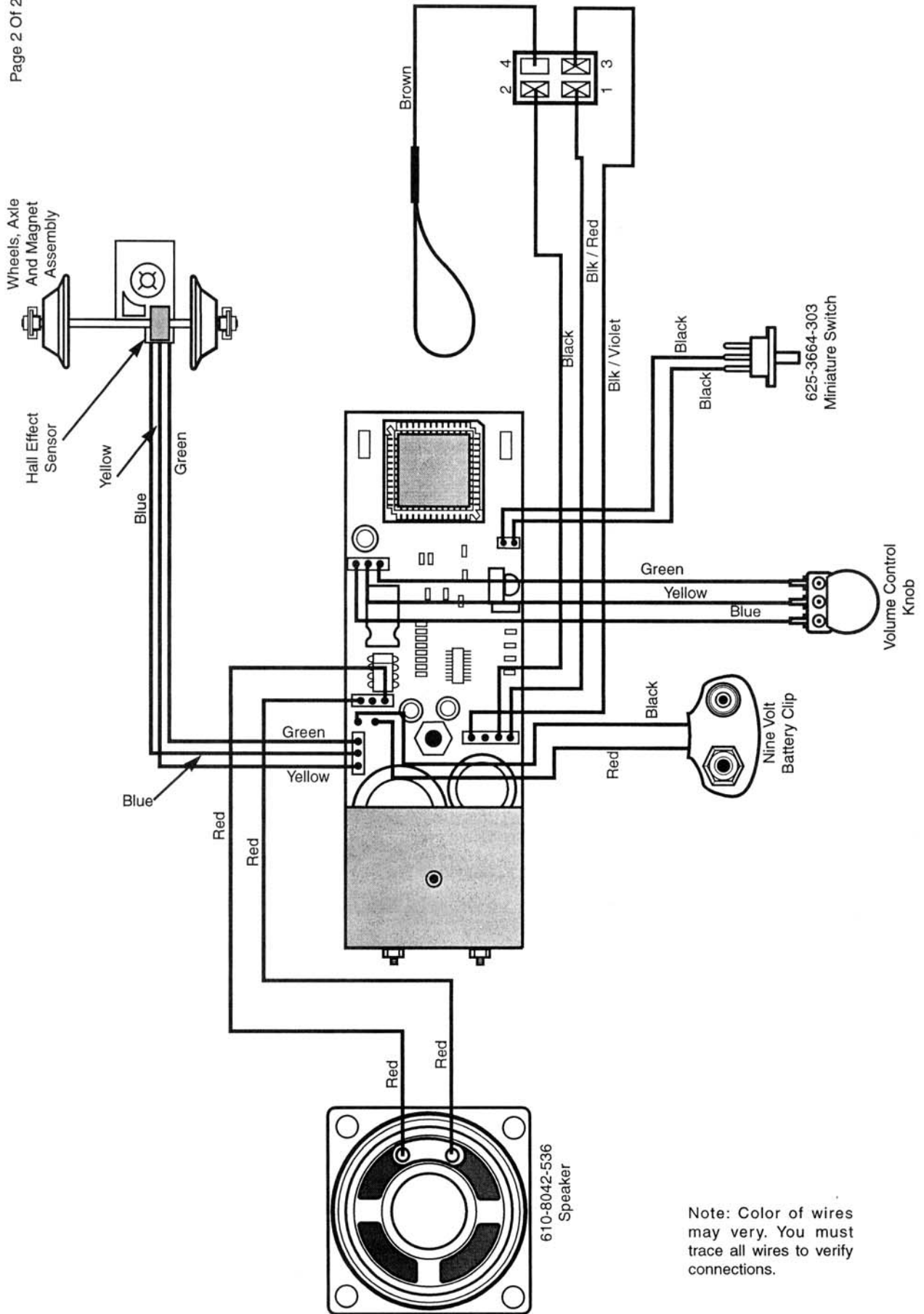
600-8141-020  
 Drive Rod Screw

600-8403-030  
 Drive Rod





# 691-8046-T01 WABASH TENDER WIRING SCHEMATIC

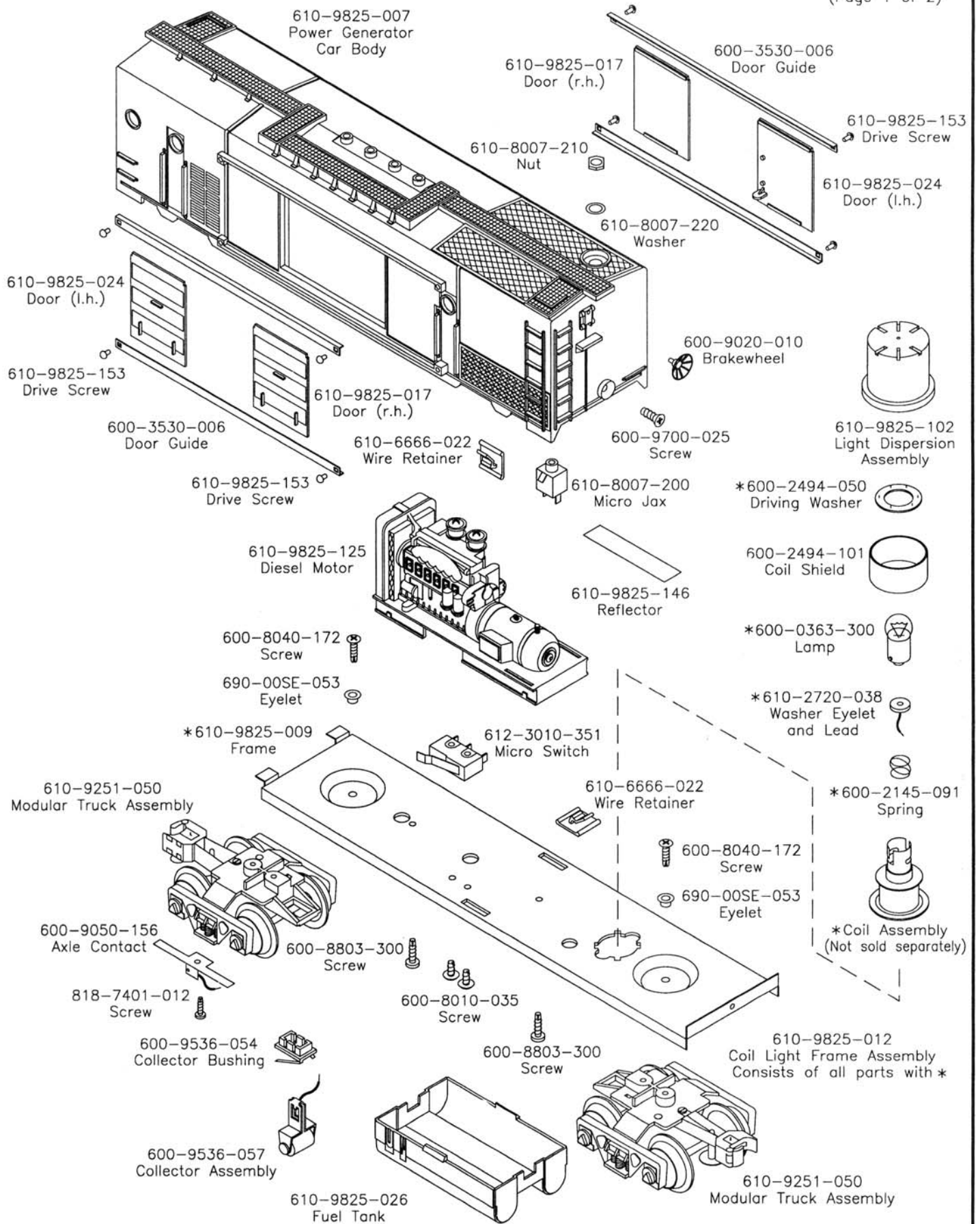


Note: Color of wires may vary. You must trace all wires to verify connections.



# 601-9825-000 ELECTRIC POWER GENERATOR CAR

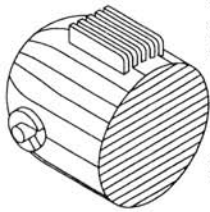
(Page 1 of 2)



# 601-9825-000 ELECTRIC POWER GENERATOR CAR

610-9825-002 Searchlight Assembly consists of all parts with \*

(Page 2 of 2)

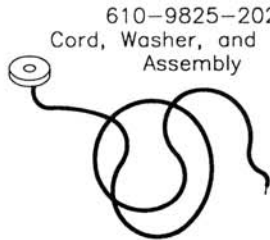


\* 610-9825-020  
Searchlight Housing  
and Lens Assembly

600-6520-011  
Lens  
610-9825-052  
Searchlight Housing



\* 600-0363-300  
Lamp



610-9825-202  
Cord, Washer, and Eyelet  
Assembly



\* 600-2145-091  
Spring



610-8007-850  
Micro Plug



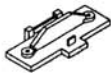
\* 600-3520-021  
Bayonet Sleeve



\* 600-3650-006  
Spring Washer



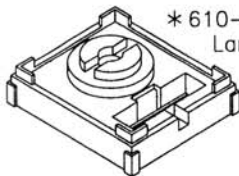
\* 600-3520-009  
Searchlight Bracket



\* 610-9825-045  
Magnet Retainer



\* 610-6615-024  
Magnet



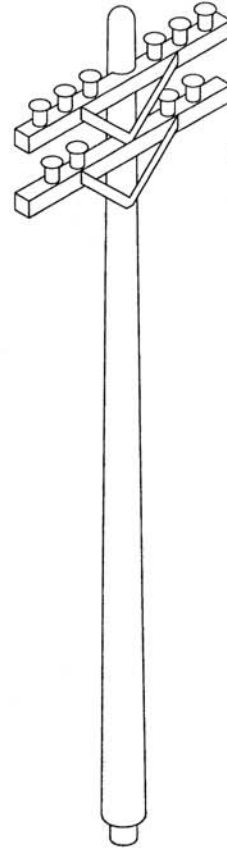
\* 610-9825-035  
Lamp Base



\* 690-1689-E17  
Terminal Lug



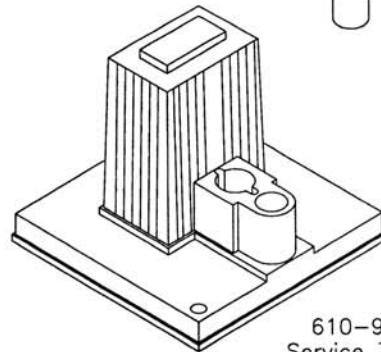
\* 600-3650-031  
Eyelet



600-2181-050  
Telephone Pole



610-9825-155  
Connecting Tube



610-9825-055  
Service Transformer

## CORRECTION NOTICE

Please remove pages (one sheet) S:30:3-3 (A-59-3) & S30:3-4 (A-59-4) B & A Hudson 610-8042-100 motor & B & A Hudson 601-8042-000 wiring schematic and replace it with the attached new pages (one sheet) of the same number, included with this supplement.

There are no changes to the motor but the wiring diagram has been revised and corrected to the actual production version.

**The Lionel Service Department**

# 610-8042-100 HUDSON SIX WHEEL MOTOR

( Page 3 Of 4 )

