



PARTS LIST AND EXPLODED DIAGRAMS SUPPLEMENT 33

*Produced by
Lionel®
50625 Richard W. Boulevard
Chesterfield, MI 48051-2493*

This supplement is designed to fit with two different publications, the *Lionel Service Manual 1997 to 1986* and *Lionel Parts List and Exploded Diagrams*.

Each page has two numbers. The number for the *Lionel Service Manual* is indicated by parentheses, e.g., (A-64). The number which applies to *Lionel Parts Lists and Exploded Diagrams* is above the parentheses, e.g., S33:3-1

**Copyright© 1996
By Lionel
All Rights Reserved**

INDEX TO LIONEL PARTS LISTS AND EXPLODED DIAGRAMS SUPPLEMENT 33

ALPHABETICAL INDEX

O AND 027 GAUGES DIESEL ENGINES & ELECTRICS

DUMMY UNITS

NW-2 Diesel Switcher Calf units	S33:2-1
601-8929-000 Boston & Maine	
601-8928-000 C & NW	
601-8933-000 Jersey Central	
601-8938-000 U.S. Navy	
610-8940-001 U.P.	

STEAM LOCOMOTIVES

4-6-2 Locomotive	S33:3-1,2
601-8044-000 Southern Railway	

MOTORS

Gear box & motor assy.	S33:14-4
600-2315-300	

TENDERS

Southern Railway	S33:4-1
691-8044-T01	

OPERATING CARS

Crew Car	S33:11-1
601-8430-000	
Exploding Boxcar	S33:11-3
601-6719-000	
Missile Car	S33:11-2
601-6718-000	

ROLLING STOCK

Duplex Roomette Passenger car	S33:11-4
601-9137-000 N.Y.C.	
601-9151-000 N&W	
601-9138-000 Santa Fe	
601-9152-000 U.P.	

ACCESSORIES

Floodlight Tower	S33:14-5
601-2886-000	
Gantry Crane N.Y.C.	S33:14-1,2,3
610-2922-001	
Switch Tower	S33:14-6,7,8
601-2917-000	

AMERICAN FLYER S GAUGE DIESEL LOCOMOTIVES

American Flyer GP-20	S33:17-1,2
604-8007-000 B.N.	
604-8016-000 Christmas	

NUMERICAL LISTINGS

600-2315-300	S33:14-4	601-8938-000	S33:2-1
601-2886-000	S33:14-5	601-9137-000	S33:11-4
601-2917-000	S33:14-6,7,8	601-9138-000	S33:11-4
601-6718-000	S33:11-2	601-9151-000	S33:11-4
601-6719-000	S33:11-3	601-9152-000	S33:11-4
601-8430-000	S33:11-1	604-8007-000	S33:17-1,2
601-8044-000	S33:3-1,2	604-8016-000	S33:17-1,2
601-8928-000	S33:2-1	610-2922-001	S33:14-1,2,3
601-8929-000	S33:2-1	610-8940-001	S33:2-1
601-8933-000	S33:2-1	691-8044-T01	S33:4-1

LIONEL SERVICE MANUAL

INDEX BY LETTER

SUPPLEMENT 33

Description	Drawing
Diesel Dummy Units	
NW-2 Switcher Calf Units.....	(C-55)
601-8928-000 C & NW	
601-8929-000 Boston & Maine	
601-8933-000 Jersey Central	
601-8938-000 U.S. Navy	
610-8940-001 U.P.	
Steam Locomotives	
4-6-2 Southern Railway	(A-64), (A-64-2)
601-8044-000	
Motors	
Gear Box & Motor Assy	(D-67)
600-2315-300	
Tenders	
Southern Railway	(C-56)
691-8044-T01	
Operating cars	
Missile Car	(F-133)
601-6718-000	
Exploding Boxcar	(F-134)
601-6719-000	
Crew Car	(F-132)
601-8430-000	
Rolling Stock	
Duplex Roomette Passenger Car	(F-135)
601-9137-000 N.Y.C.	
601-9138-000 Santa Fe	
601-9151-000 N&W	
601-9152-000 U.P.	

Accessories

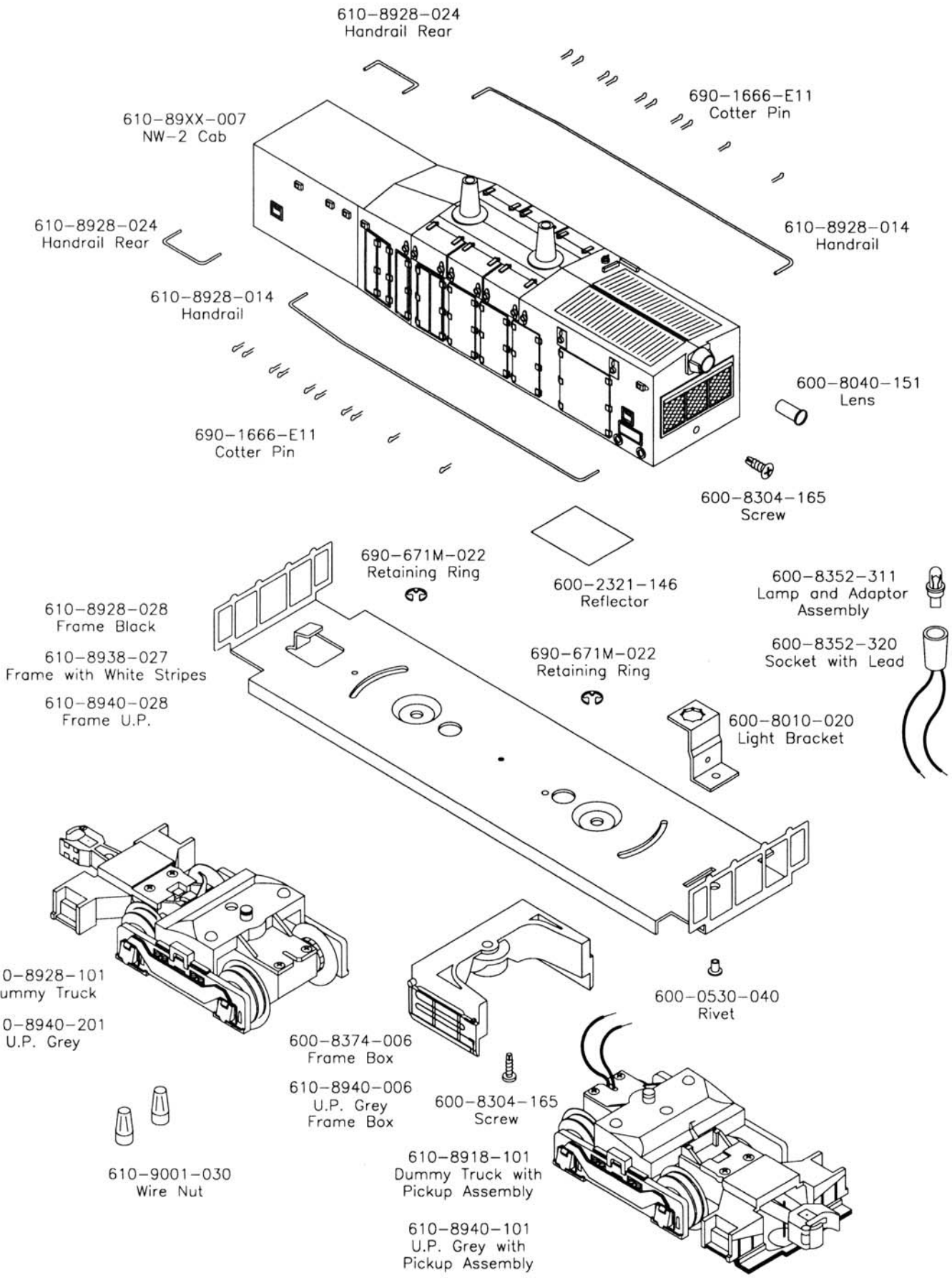
- Floodlight Tower (I-57)
601-2886-000
- Switch Tower (I-58),(I-58-2),(I-58-3)
601-2917-000
- Gantry Crane N.Y.C. (I-56), (I-56-2),(I-56-3)
610-2922-001

American Flyer S Gauge

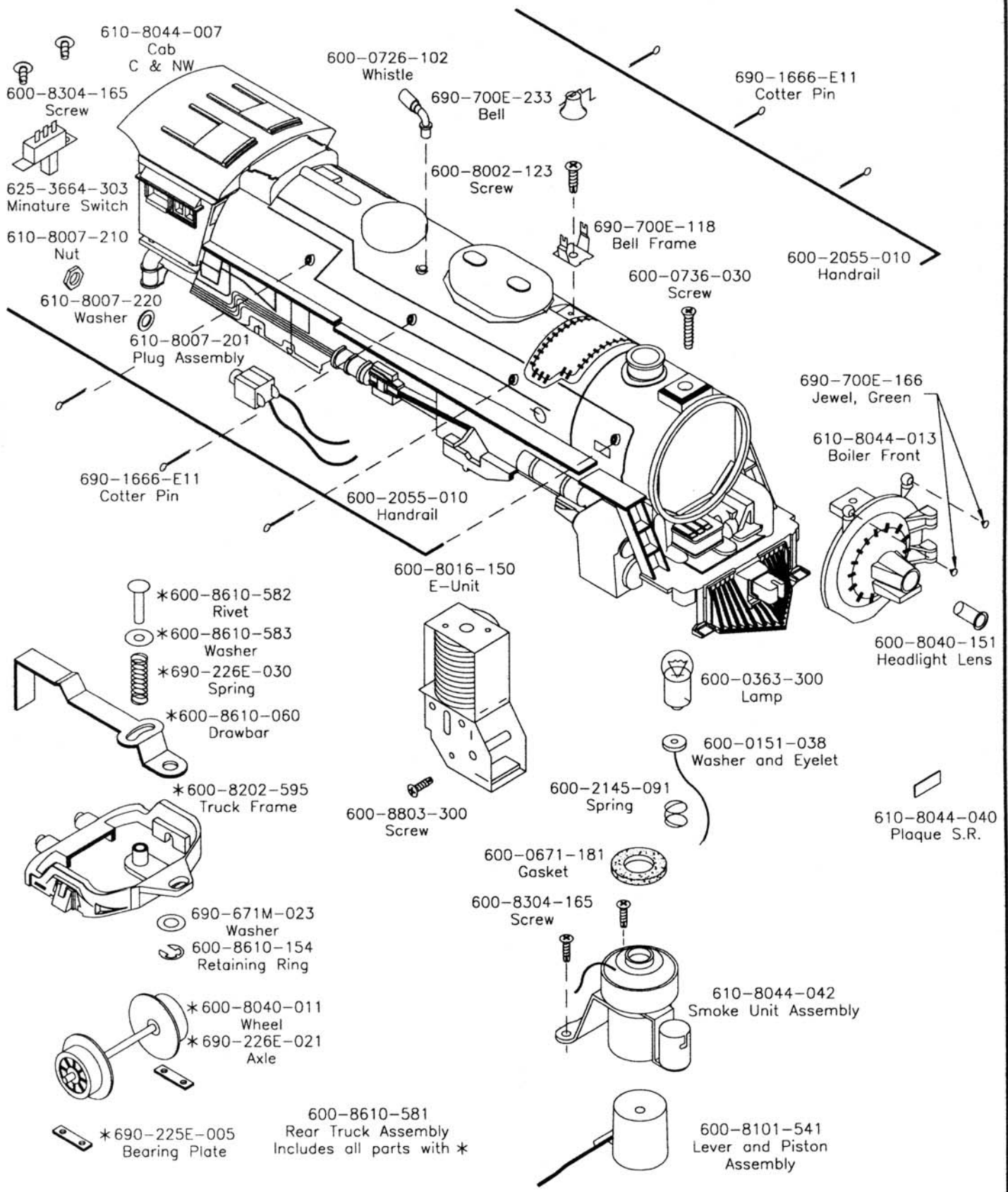
Diesel Locomotives

- A.F. GP20 (SB-5), (SB-5-2)
604-8007-000 B.N.
604-8016-000 Christmas

NW-2 DIESEL SWITCHER CALF

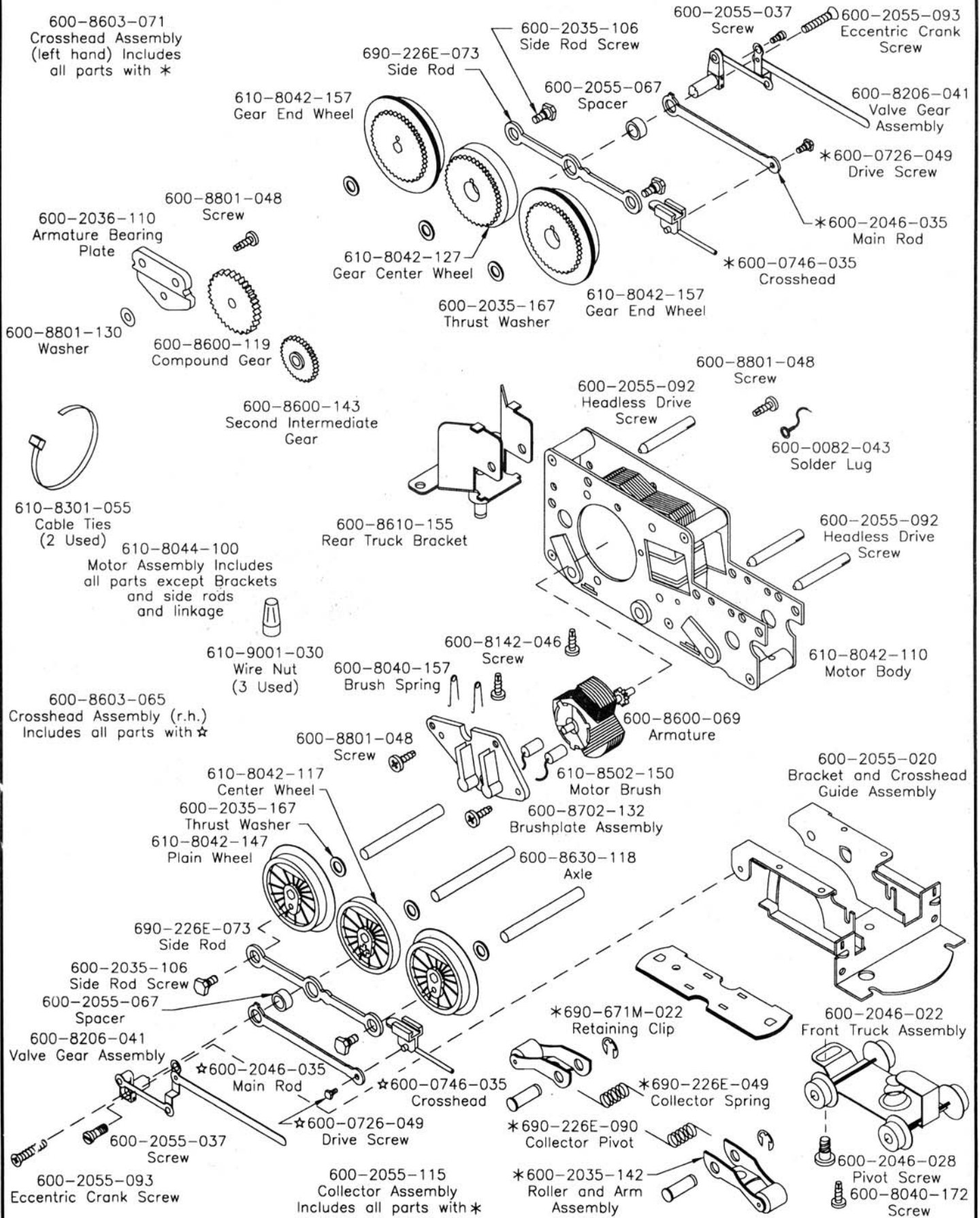


4-6-2 STEAM LOCOMOTIVE 601-8044-000 SOUTHERN



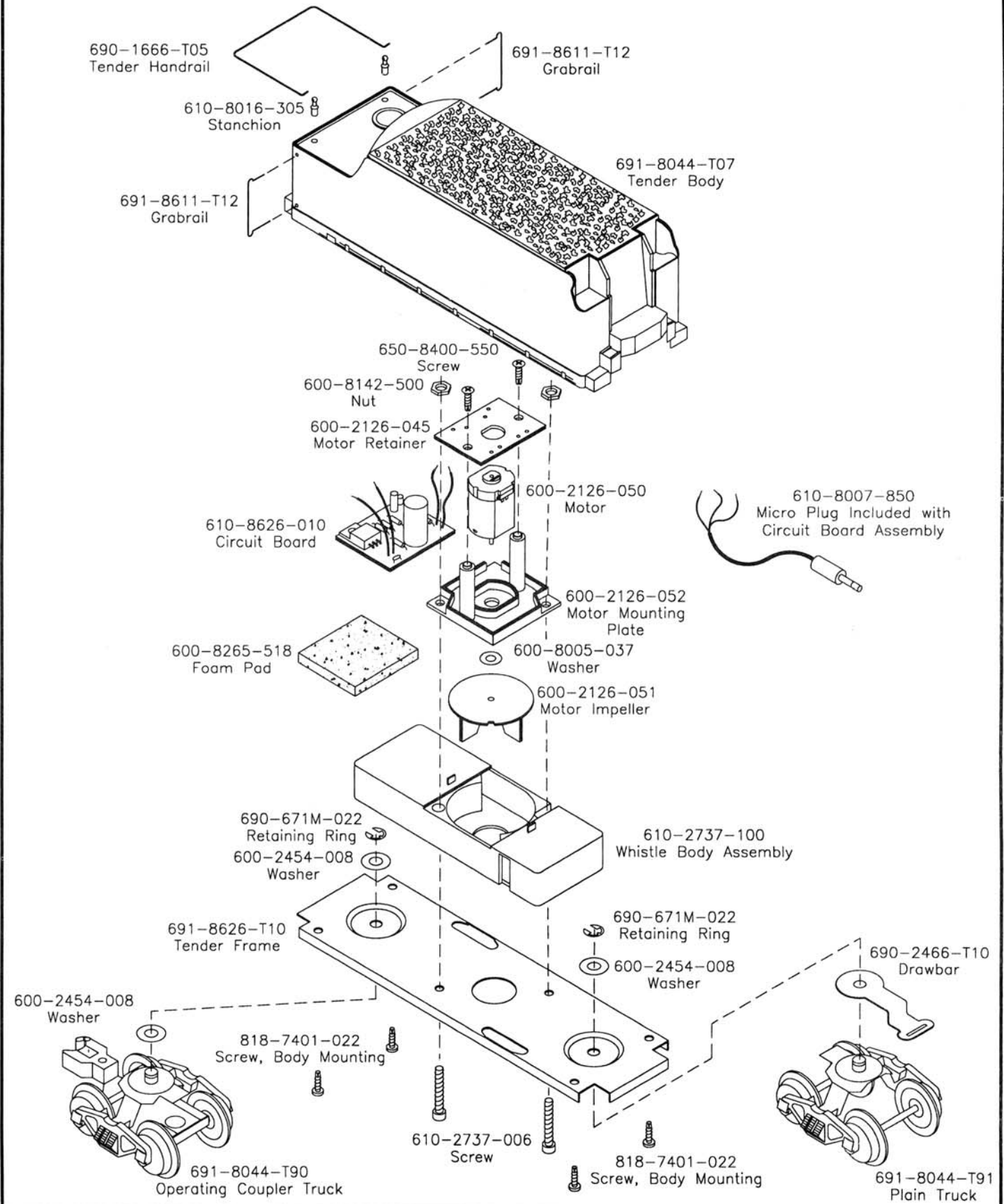
4-6-2 STEAM LOCOMOTIVE 601-8044-000 SOUTHERN

(Page 2 of 2)

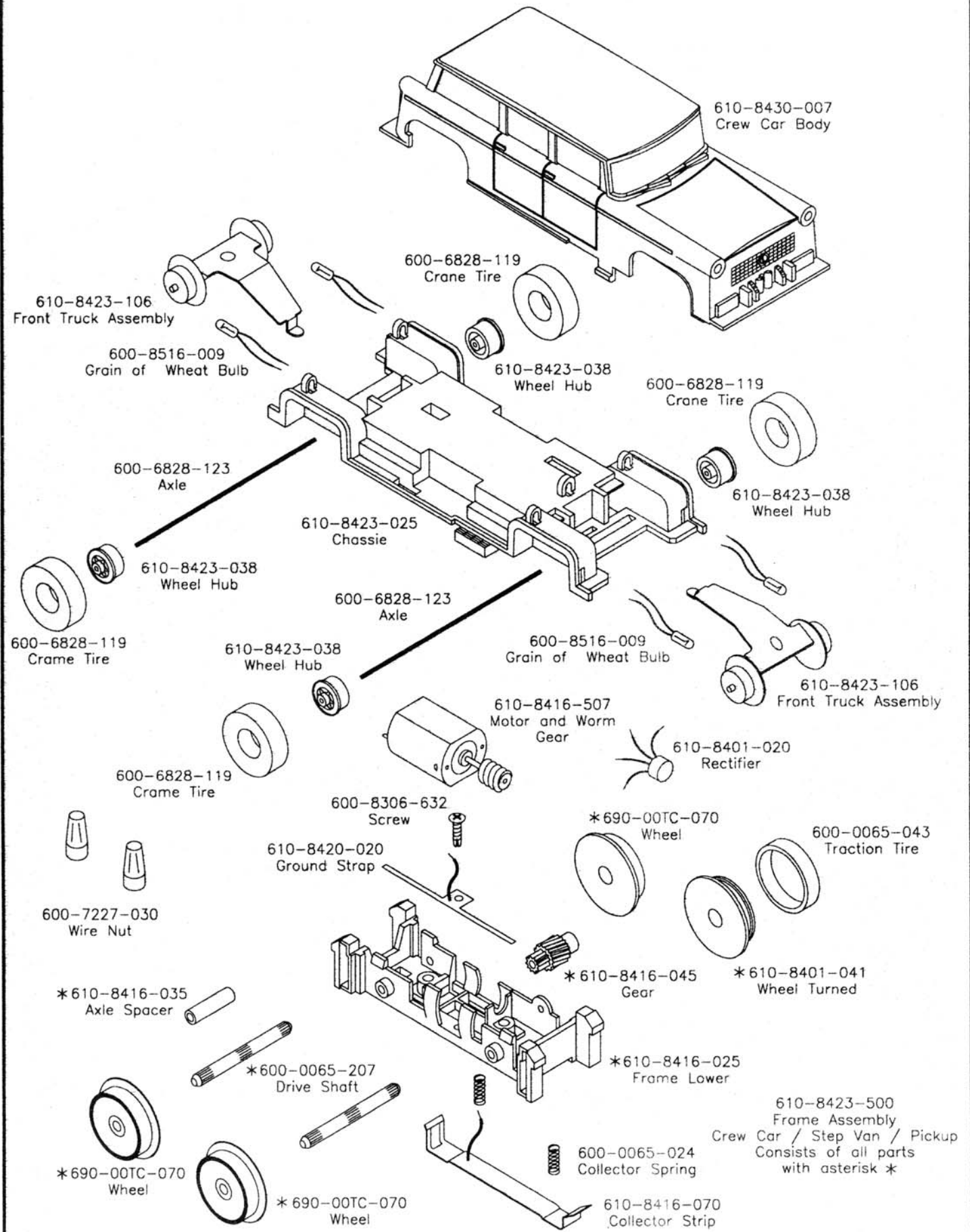


TENDER

691-8044-T01 Southern Railway

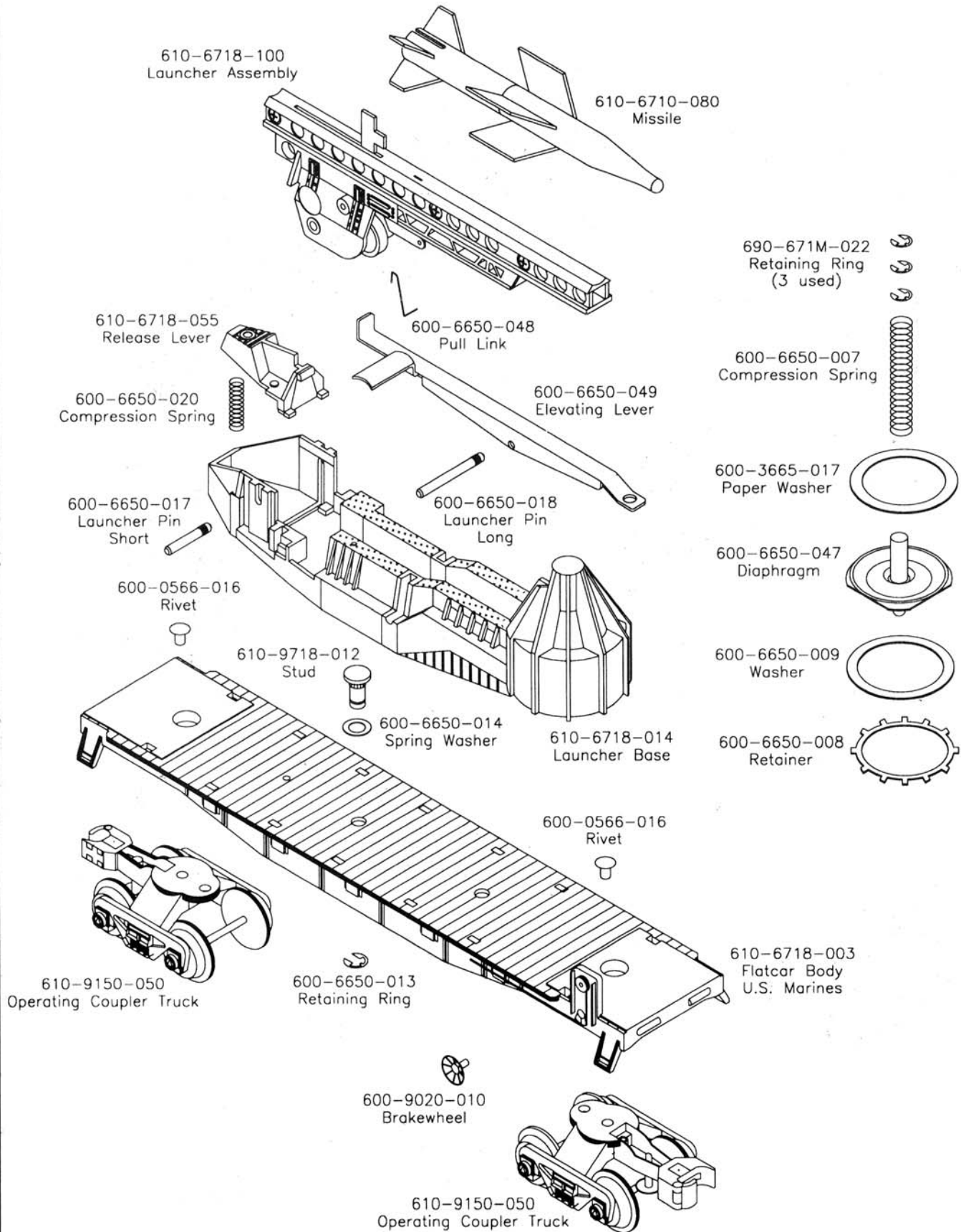


601-8430-000 CREW CAR

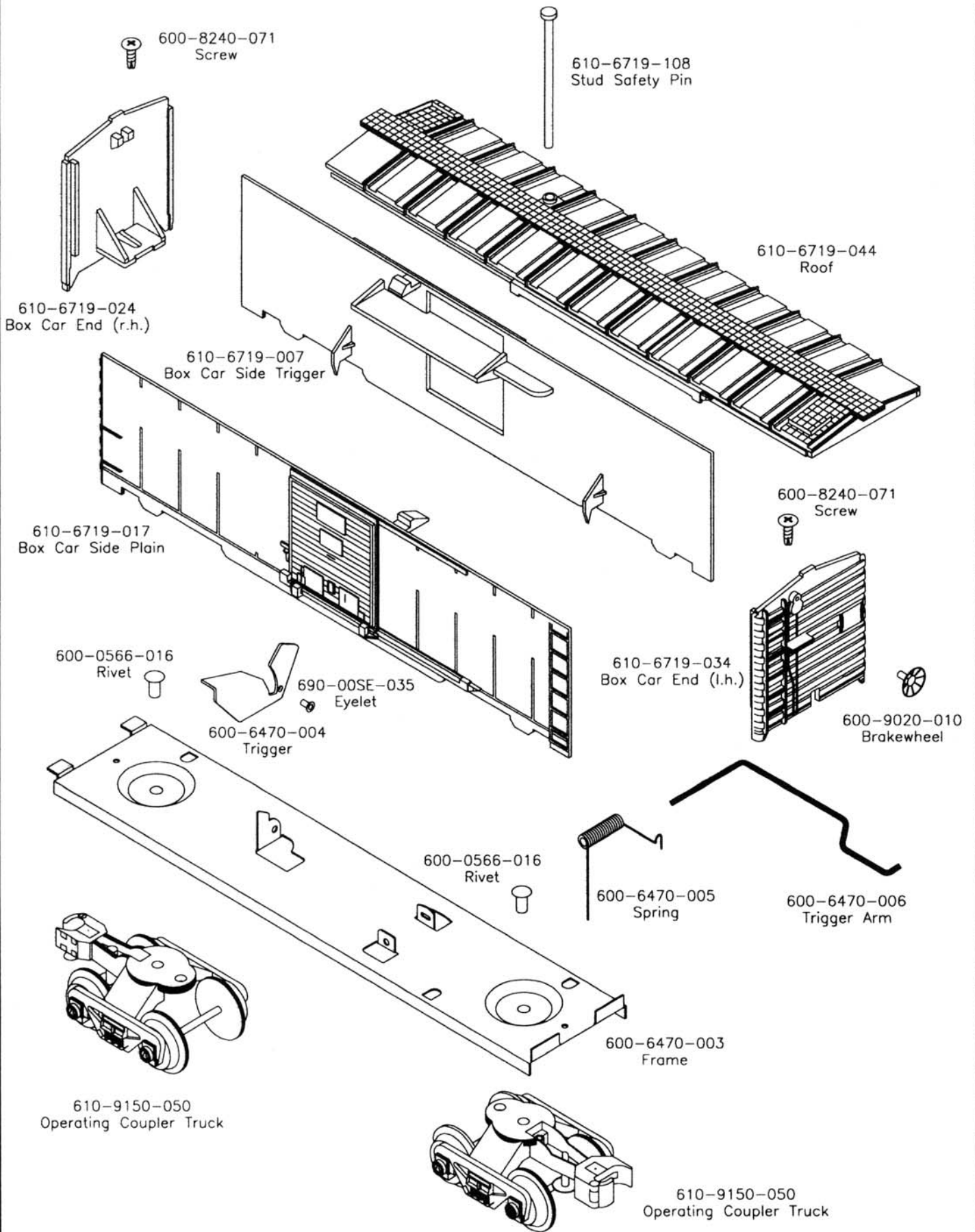


MISSILE LAUNCHING CAR

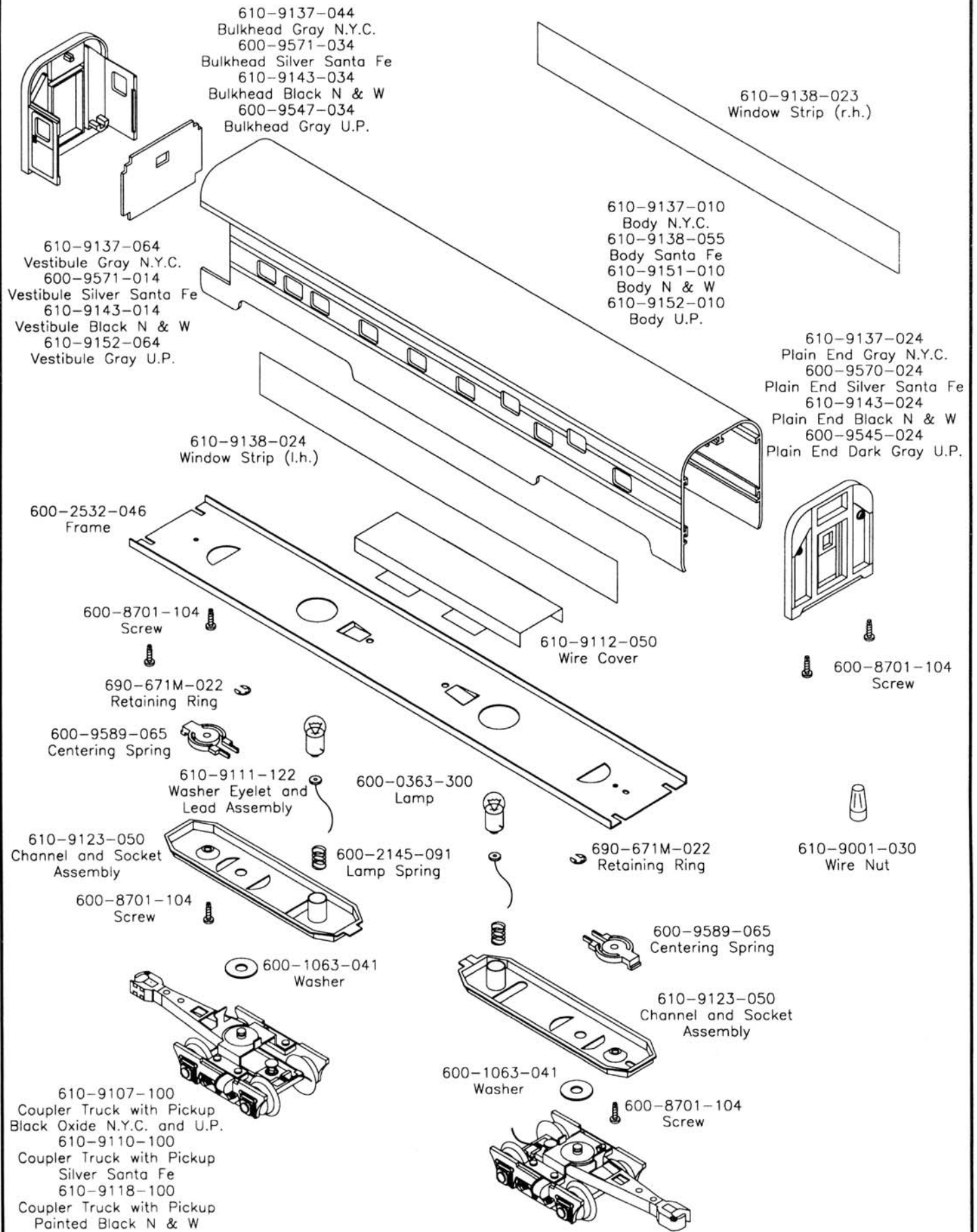
601-6718-000 U.S. MARINE CORP



601-6719-000 EXPLODING BOX CAR



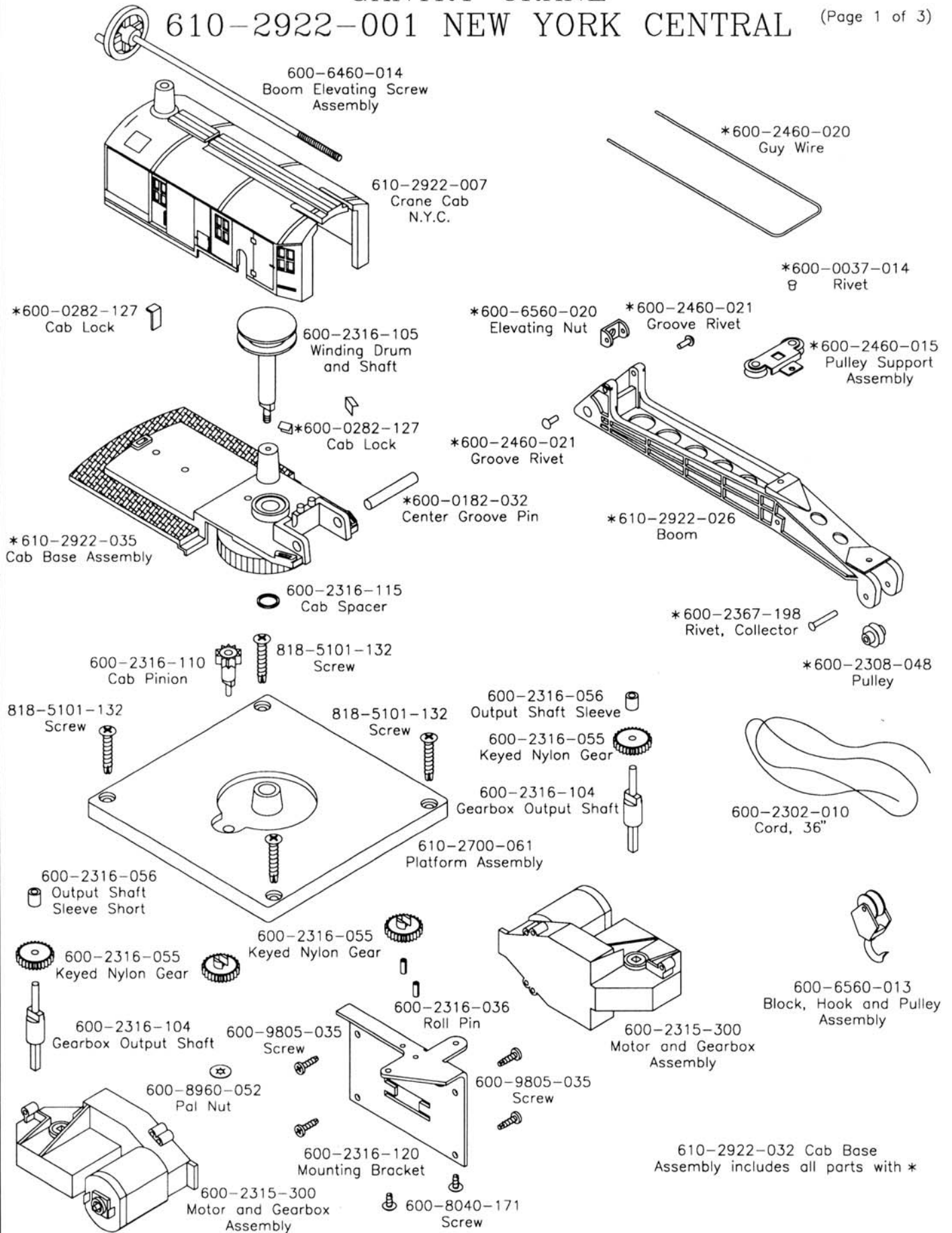
DUPLEX ROOMETTE PASSENGER CAR



GANTRY CRANE

610-2922-001 NEW YORK CENTRAL

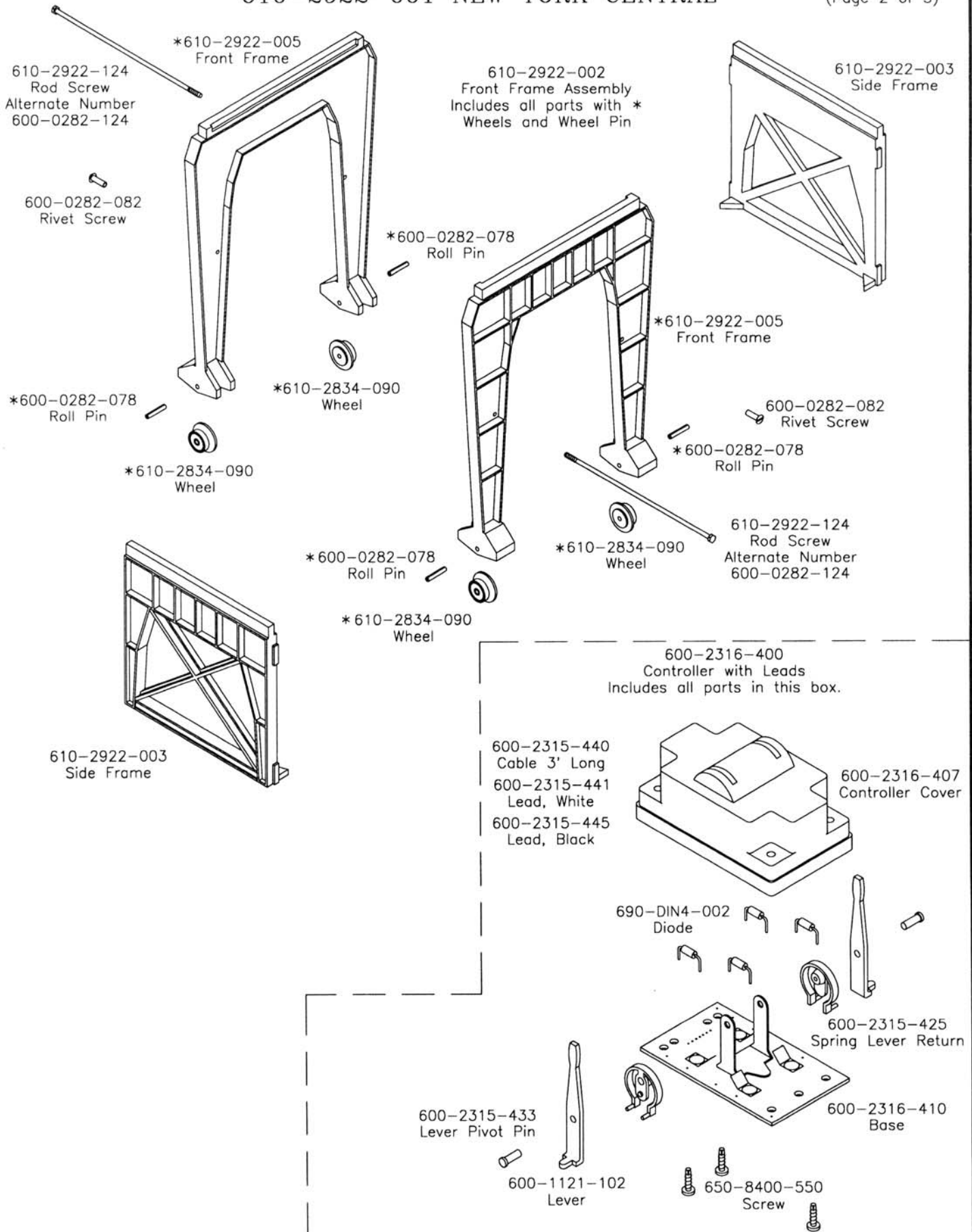
(Page 1 of 3)



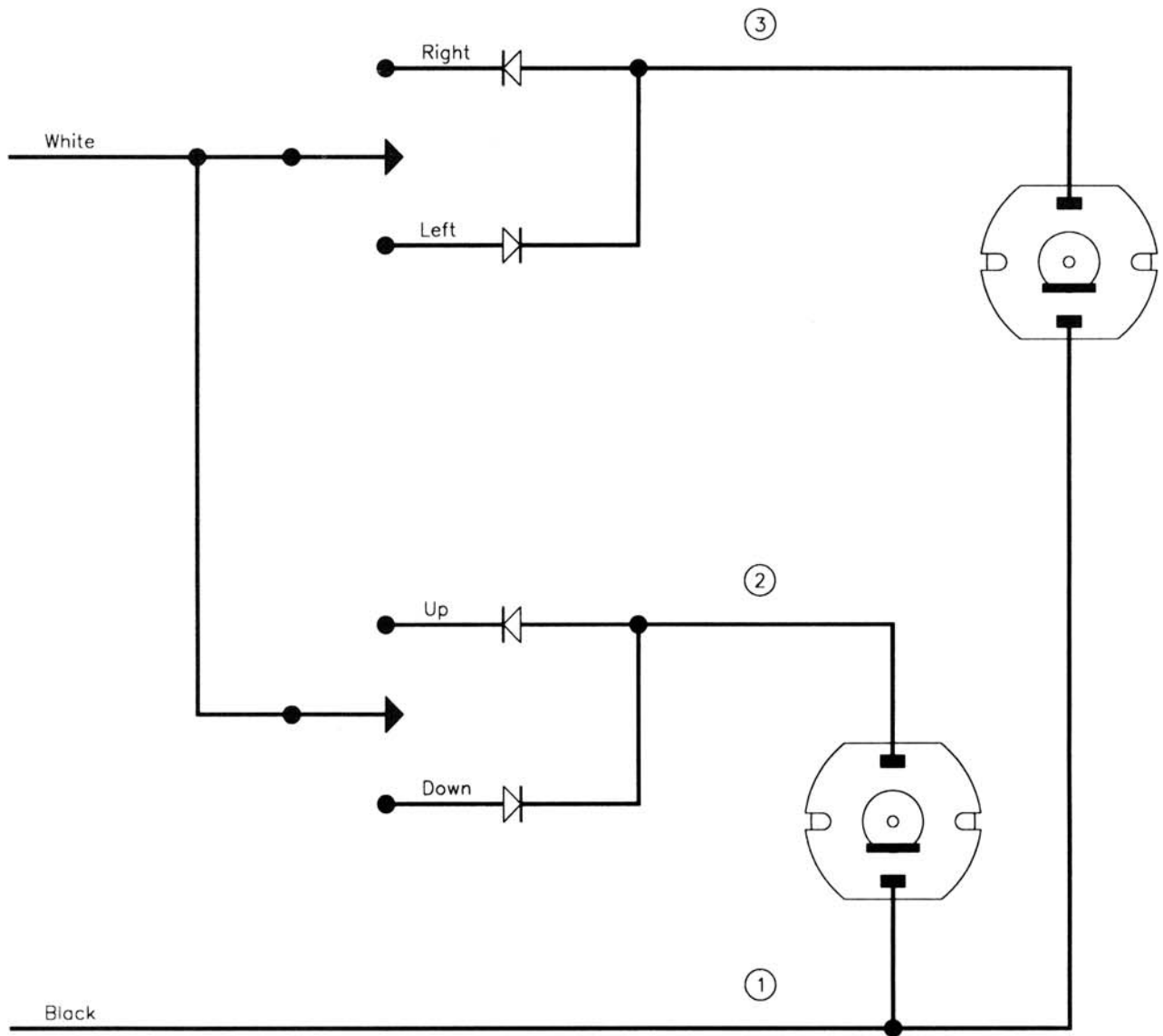
GANTRY CRANE

610-2922-001 NEW YORK CENTRAL

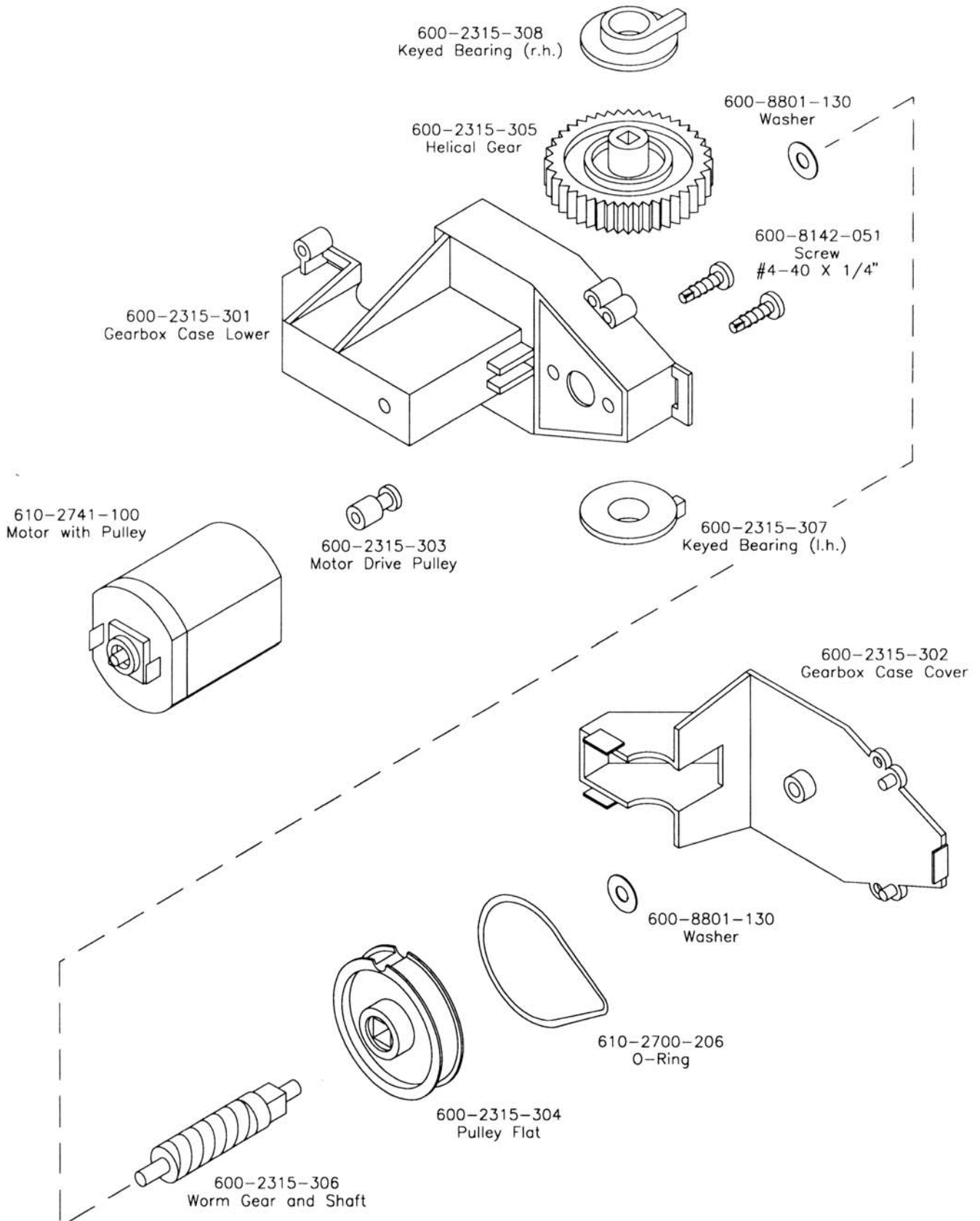
(Page 2 of 3)



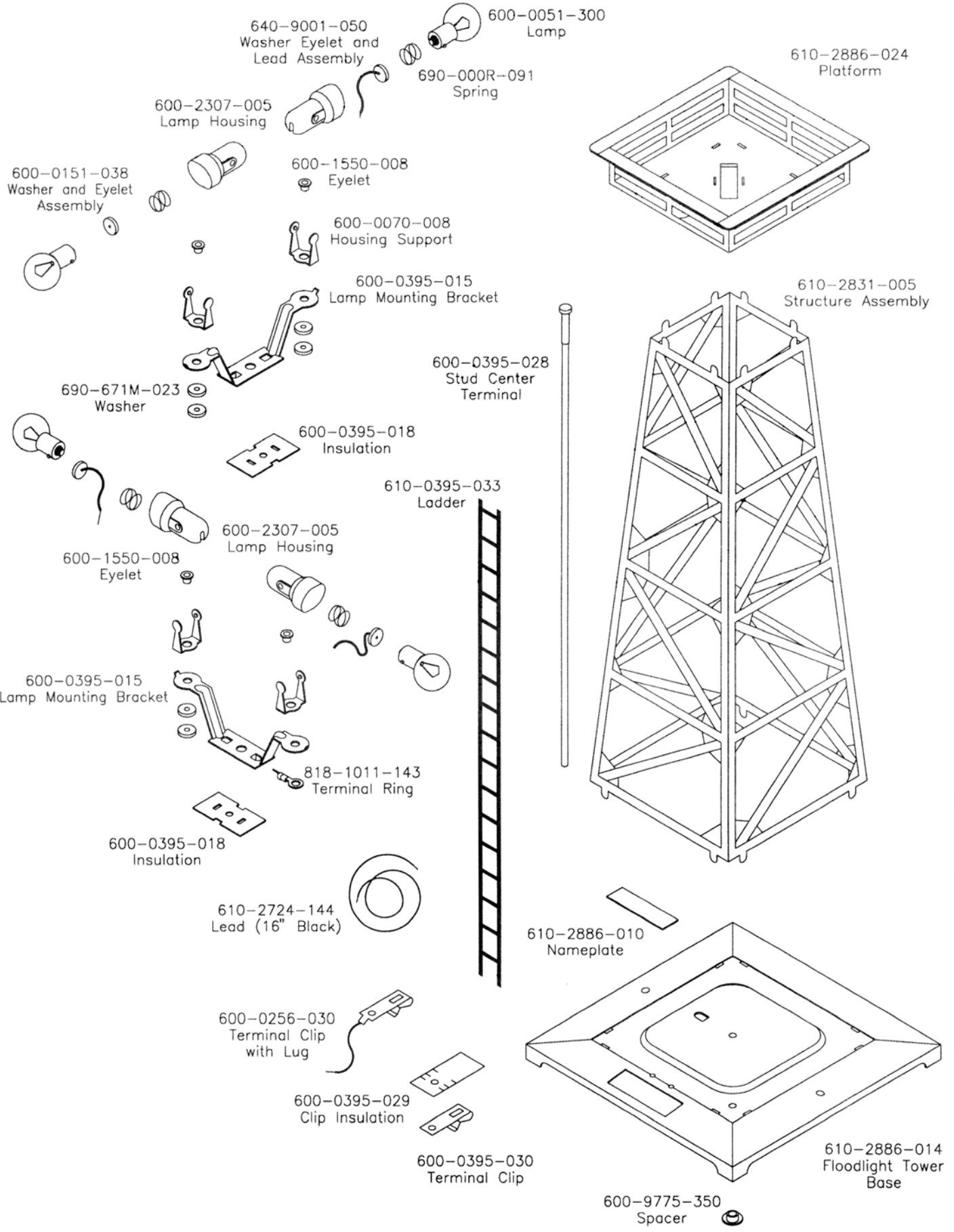
GANTRY CRANE WIRING SCHEMATIC
610-2922-001 NEW YORK CENTRAL



600-2315-300 GEARBOX AND MOTOR ASSEMBLY

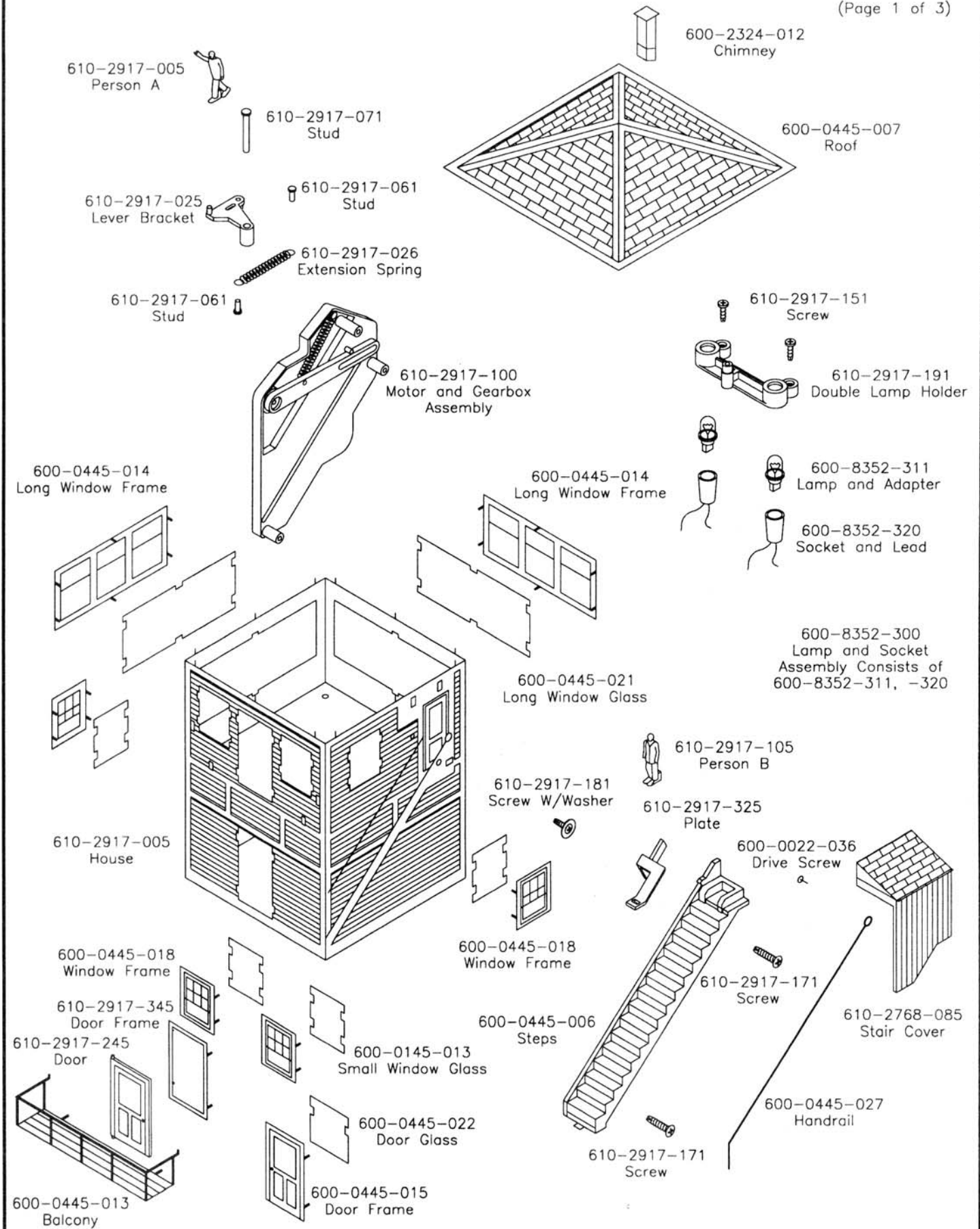


601-2886-000 FLOODLIGHT TOWER



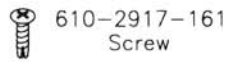
601-2917-000 ANIMATED SWITCH TOWER

(Page 1 of 3)



601-2917-000 ANIMATED SWITCH TOWER

(Page 2 of 3)



610-2917-201
Single Lamp Holder



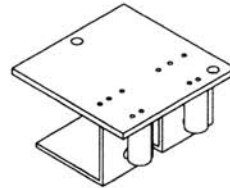
600-8352-311
Lamp and Adapter



600-8352-320
Socket and Lead

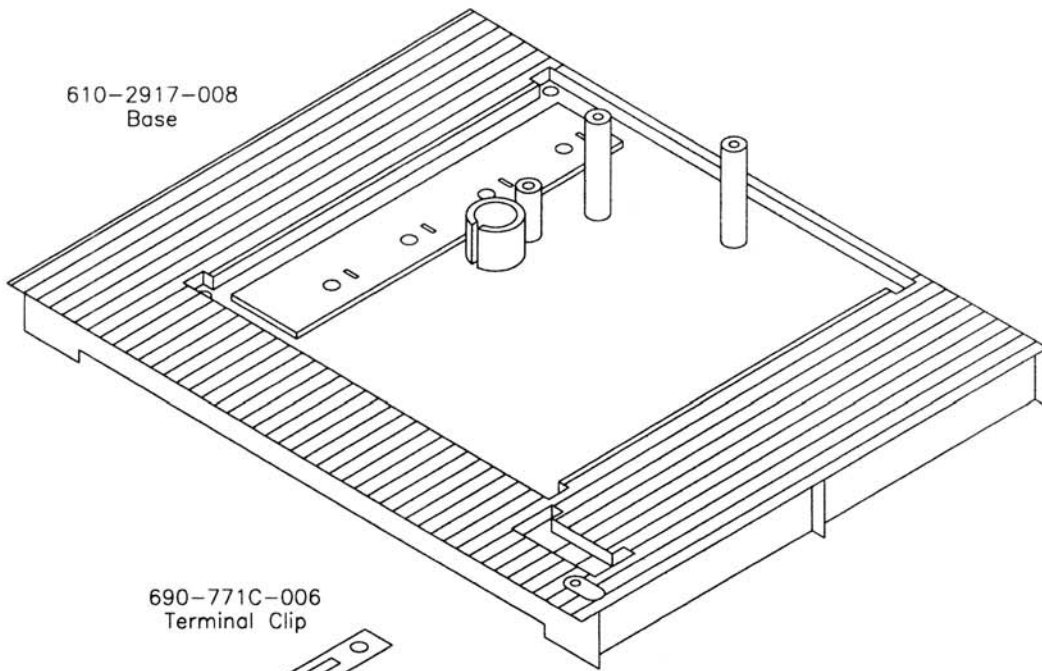


610-2917-161
Screw

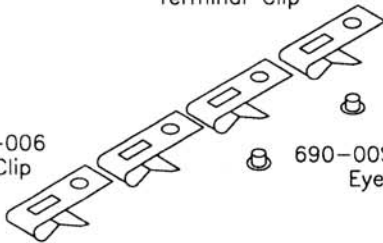


610-2917-021
Circuit Board Assembly

610-2917-008
Base



690-771C-006
Terminal Clip



690-771C-006
Terminal Clip



690-00SE-043
Eyelet

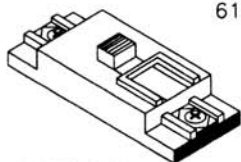


610-2917-151
Screw

690-00SE-043
Eyelet



610-2917-151
Screw



600-5903-001
Accessory Switch



610-2917-151
Screw

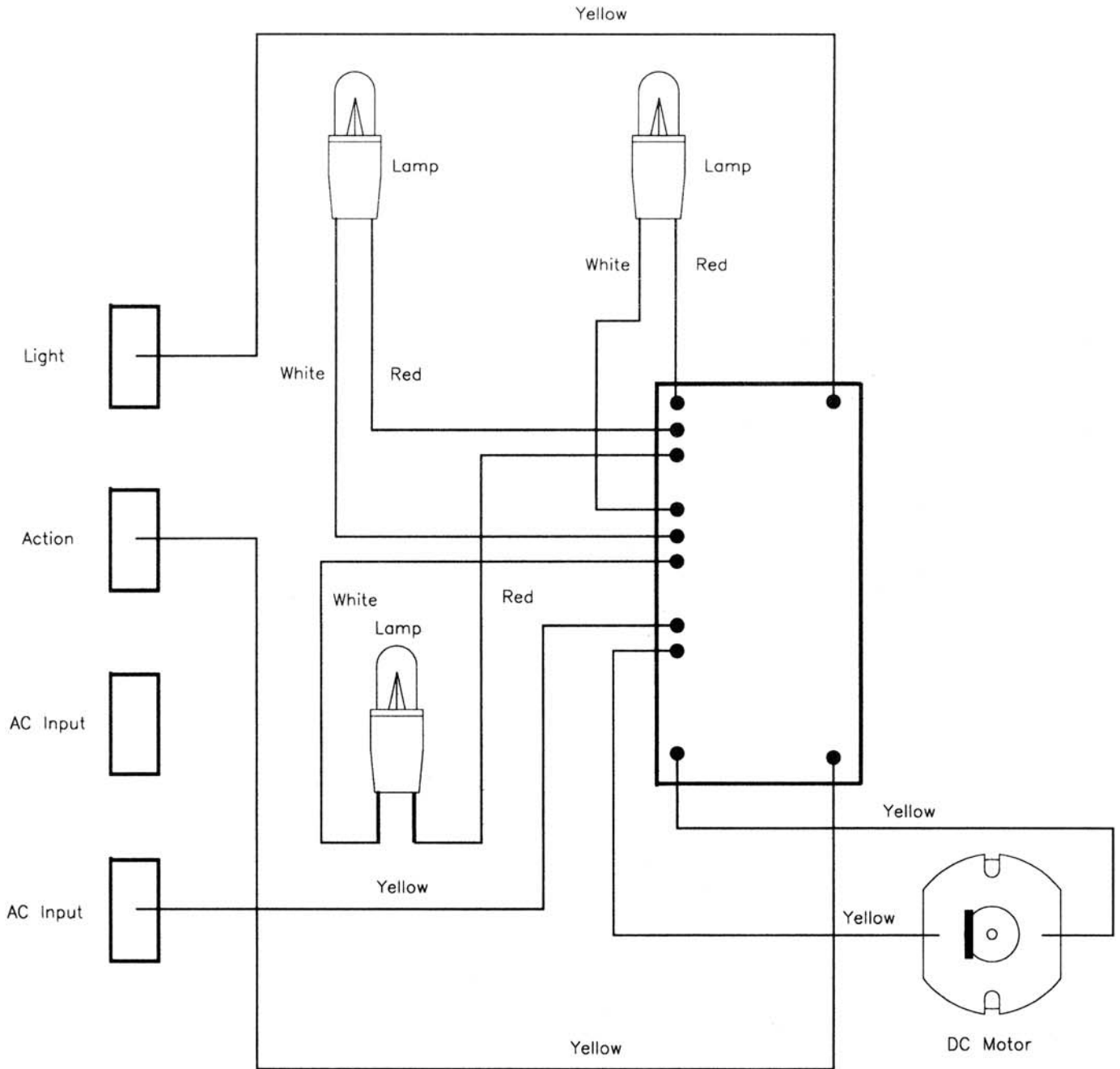
610-2917-151
Screw



601-2917-000 ANIMATED SWITCH TOWER WIRING DIAGRAM

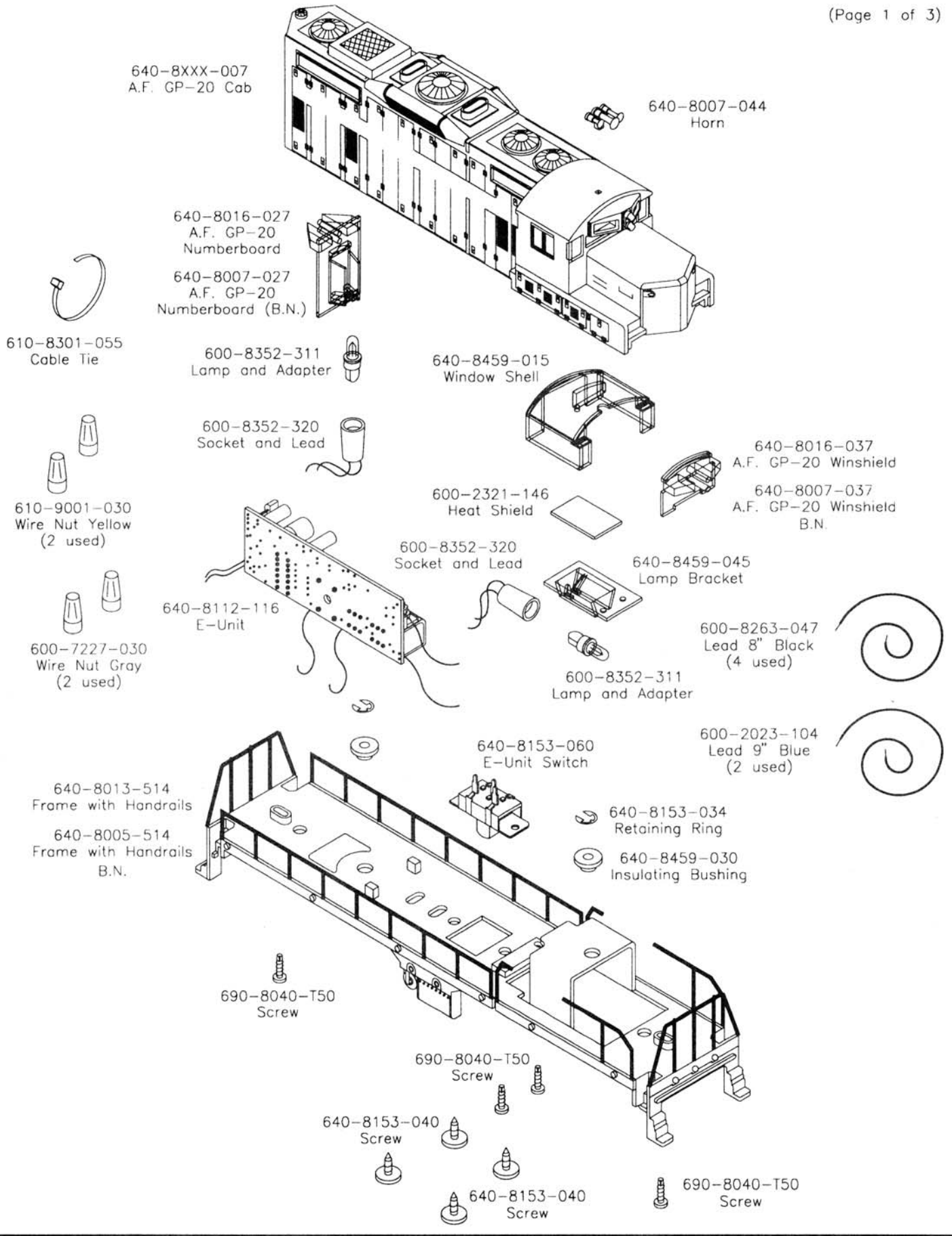
(Page 3 of 3)

Note: Color of wires may vary.
Trace all wires to verify connections.

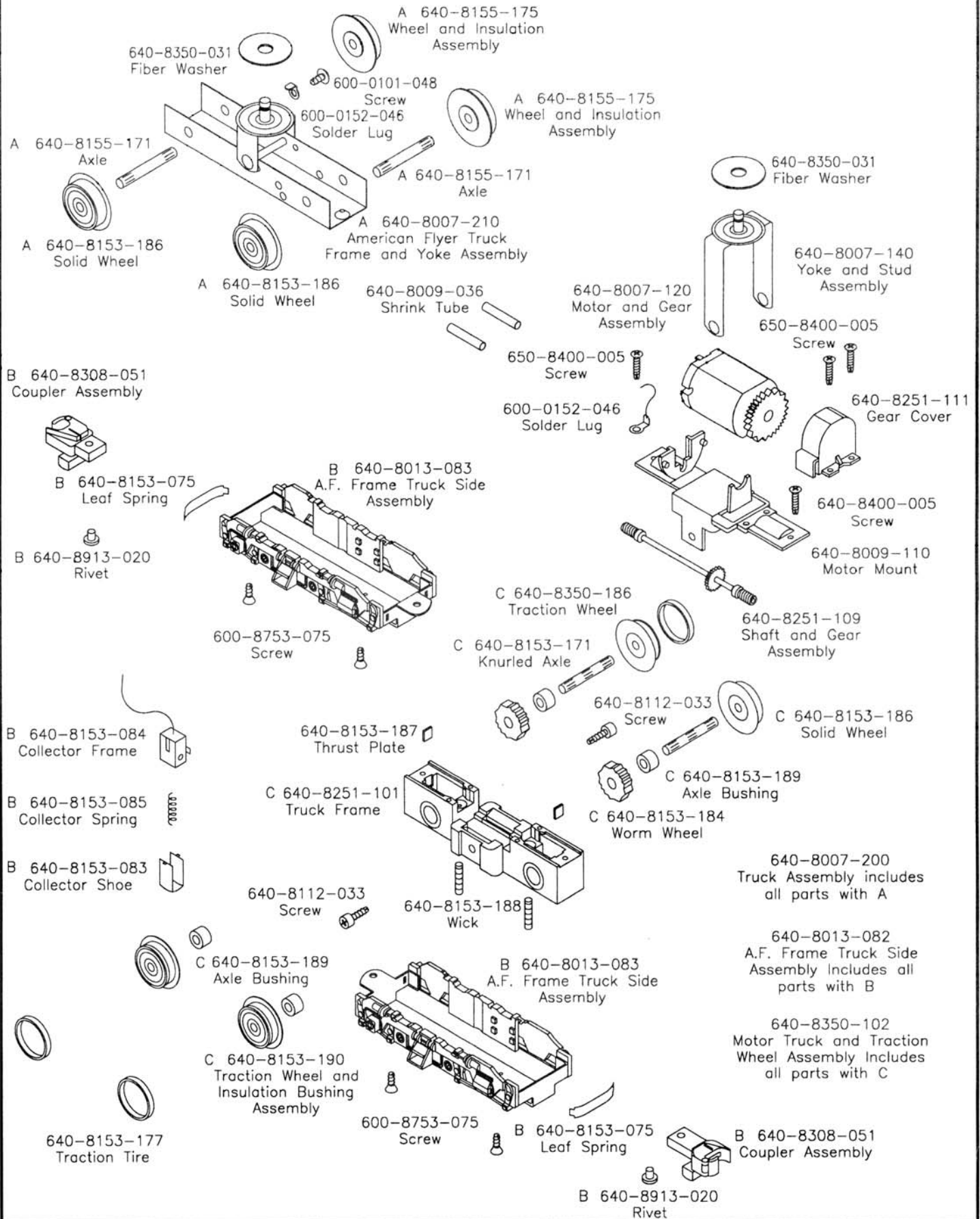


AMERICAN FLYER GP-20 DIESEL LOCOMOTIVES

(Page 1 of 3)



AMERICAN FLYER GP-20 DIESEL LOCOMOTIVE



AMERICAN FLYER GP-7, 9, 20 WIRING SCHEMATIC

(Page 3 of 3)

