



# LIONEL

## PARTS LIST AND EXPLODED DIAGRAMS SUPPLEMENT 34

*Produced by*

*Lionel®*

*50625 Richard W. Boulevard*

*Chesterfield, MI 48051-2493*

### CONTENTS

#### **0 and 027 Gauges**

#### **Diesel Engines - Power units**

NW-2 Diesel Switcher

Coast Guard (610-8946-001)

Union Pacific (610-8939-001)

#### **Rolling Stock**

Flat Car with automobiles

Circle L 6-19423

Lionel Lines 6-16933

Santa Fe 6-16941

Depressed flat car w/generator 6-51600

Gondola with scrap load 6-17407

#### **Aluminum Passenger Cars**

A.C.L. Passenger Cars 6-19154

C & O Passenger Cars 6-19153

Santa Fe Passenger Cars 6-19185

#### **Accessories**

Banjo Signal 6-12709

Crossing Gate 6-12714

Highway Flasher 6-12888

Log Loader 6-12915

Rail Truck Loading Dock 6-12929

Signal Bridge 6-12895

**Copyright© 1996**

**By Lionel**

**All Rights Reserved**

This supplement is designed to fit with two different publications, the *Lionel Service Manual* 1986 to 1996 and *Lionel Parts List and Exploded Diagrams*.

Each page has two numbers. The number for the *Lionel Service Manual* is indicated by parentheses, e.g., (B-69). The number which applies to *Lionel Parts Lists and Exploded Diagrams* is above the parentheses, e.g., S34:1-1

**INDEX TO  
LIONEL PARTS LISTS AND EXPLODED DIAGRAMS  
SUPPLEMENT 34**

---

---

**ALPHABETICAL INDEX**

**O AND 027 GAUGES  
DIESEL ENGINES**

**POWER UNITS**

NW-2 Diesel Switcher                    S34:1-1,2,3,4  
610-8946-001 Coast Guard  
610-8939-001 Union Pacific

**ROLLING STOCK**

Flat Car with automobiles            S34:8-1  
601-9423-000 Circle L  
601-6933-000 Lionel Lines  
610-6941-001 Santa Fe  
Depressed Flat car w/ generator    S34:8-2  
605-1600-000 New York Central  
Gondola with scrap load            S34:9-1  
601-7407-000 Nickel Plate Road

**ALUMINUM PASSENGER CARS**

A.C.L. passenger cars                S:34:12-5,6,7,8  
601-9155-000 Combo Car  
601-9156-000 Dining Car  
601-9157-000 Passenger Car  
601-9158-000 Observation Car

**ALUMINUM PASSENGER CARS CON'T**

C & O passenger cars                S34:12-1,2,3,4  
601-9145-000 Combo Car  
601-9149-000 Dining Car  
601-9146-000 Passenger Car  
601-9147-000 Passenger Car  
601-9148-000 Passenger Car  
601-9150-000 Observation Car  
Santa-Fe passenger cars            S34:12-9,10,11,12  
601-9160-000 Baggage Car  
601-9161-000 Passenger Car  
601-9162-000 Vista Dome Car  
601-9163-000 Observation Car

**ACCESSORIES**

Banjo Signal                            S34:14-4  
601-2709-000  
Crossing Gate                         S34:14-1  
601-2714-000  
Highway Flasher                        S34:14-2  
601-2888-000  
Log Loader                                S34:14-5,6  
601-2915-000  
Rail Truck Loading Dock            S34:14-7,8  
601-2929-000  
Signal Bridge                            S34:14-3  
601-2895-000

## NUMERICAL LISTINGS

---

---

601-2709-000	S34:14-4	601-9155-000	S34:12-5
601-2714-000	S34:14-1	601-9156-000	S34:12-6
601-2888-000	S34:14-2	601-9157-000	S34:12-7
601-2895-000	S34:14-3	601-9158-000	S34:12-8
601-2915-000	S34:14-5,6	601-9160-000	S34:12-9
601-2929-000	S34:14-7,8	601-9161-000	S34:12-10
601-6933-000	S34:8-1	601-9162-000	S34:12-11
601-7407-000	S34:9-1	601-9163-000	S34:12-12
601-9145-000	S34:12-1	601-9423-000	S34:8-1
601-9146-000	S34:12-3	605-1600-000	S34:8-2
601-9147-000	S34:12-3	610-6941-001	S34:8-1
601-9148-000	S34:12-3	610-8939-001	S34:1-1,2,3,4
601-9149-000	S34:12-2	610-8946.001	S34:1-1,2,3,4
601-9150-000	S34:12-4		

# LIONEL SERVICE MANUAL

## INDEX BY LETTER

### SUPPLEMENT 34

Description	Drawing
<b>Diesel Locomotives</b>	
NW-2 Switcher.....	(B-69),(B-69-2),(B-69-3),(B-69-4)
610-8939-001 Union Pacific	
610-8946-001 Coast Guard	
<b>Rolling Stock</b>	
Flat car with automobiles .....	(F-136)
601-6933-000 Lionel Lines	
601-9423-000 Circle L	
610-6941-001 Santa Fe	
Depressed Flat car with generator Stator Load .....	(F-137)
605-1600-000 New York Central	
Standard "O" Gondola with scrap load .....	(F-138)
601-7407-000 Nickel Plate	
<b>Aluminum Passenger Cars</b>	
C & O .....	(F-139),(F140),(F-141),(F-142)
601-9145-000 Combo Car	
601-9146-000 Passenger Car	
601-9147-000 Passenger Car	
601-9148-000 Passenger Car	
601-6149-000 Dining Car	
601-9150-000 Observation Car	
A.C.L.....	(F-143),(F-144),F-145),(F-146)
601-9155-000 Combo Car	
601-9156-000 Dining Car	
601-9157-000 Passenger Car	
601-9158-000 Observation Car	
Santa Fe.....	(F-147),(F-148),(F-149),(F-150)
601-9160-000 Baggage Car	
601-9161-000 Passenger Car	
601-9162-000 Vista Dome Car	
601-9163-000 Observation Car	

Accessories

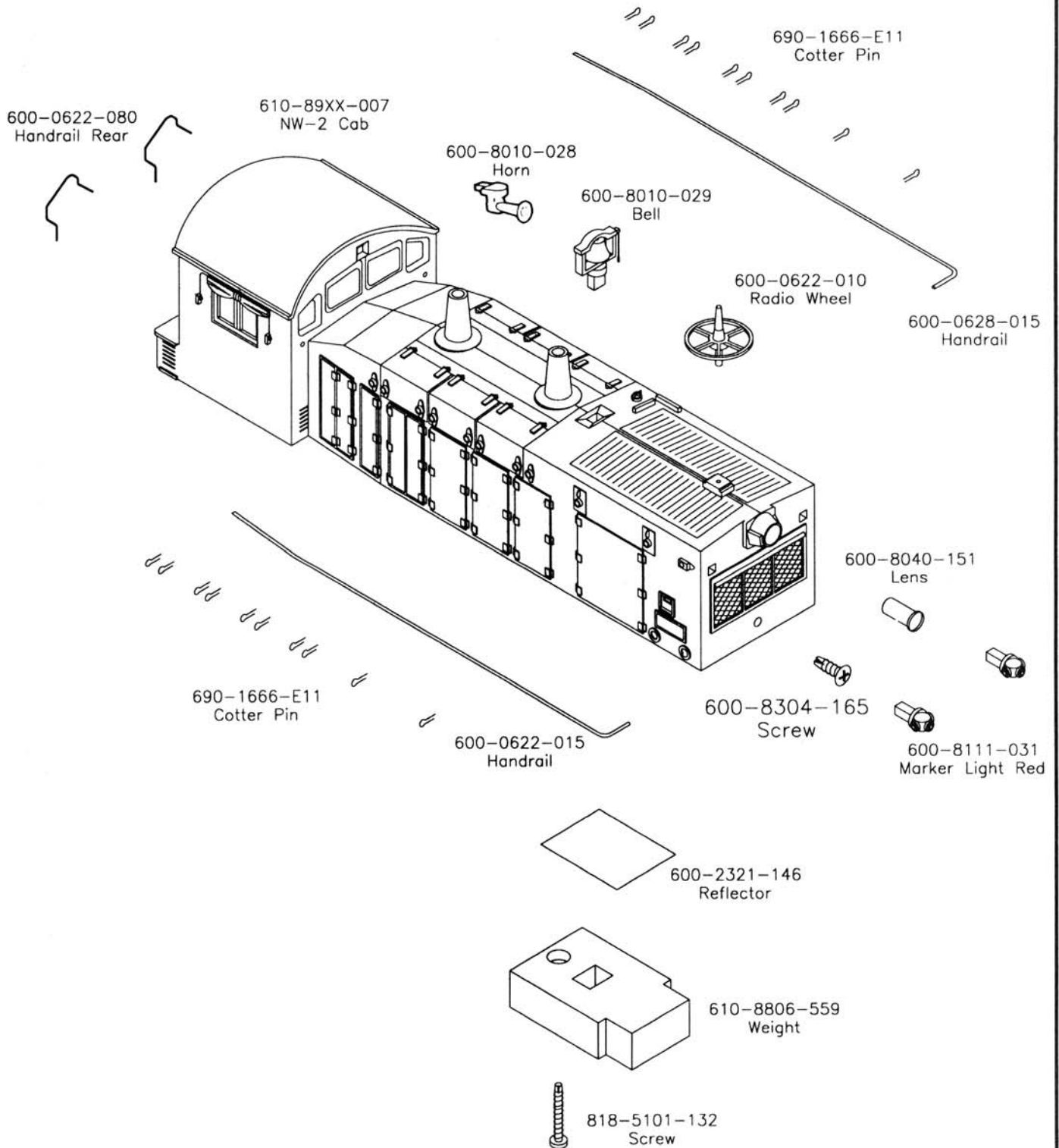
Crossing Gate .....	(I-59)
601-2714-000	
Highway Flasher .....	(I-60)
601-2888-000	
Signal Bridge .....	(I-61)
601-2895-000	
Banjo Signal .....	(I-62)
601-2709-000	
Log Loader .....	(I-63),(I-63-2)
601-2915-000	
Rail Truck Loading Dock.....	(I-64),(I-64-2)
601-2929-000	

# NW-2 DIESEL SWITCHER WITH CAN MOTOR

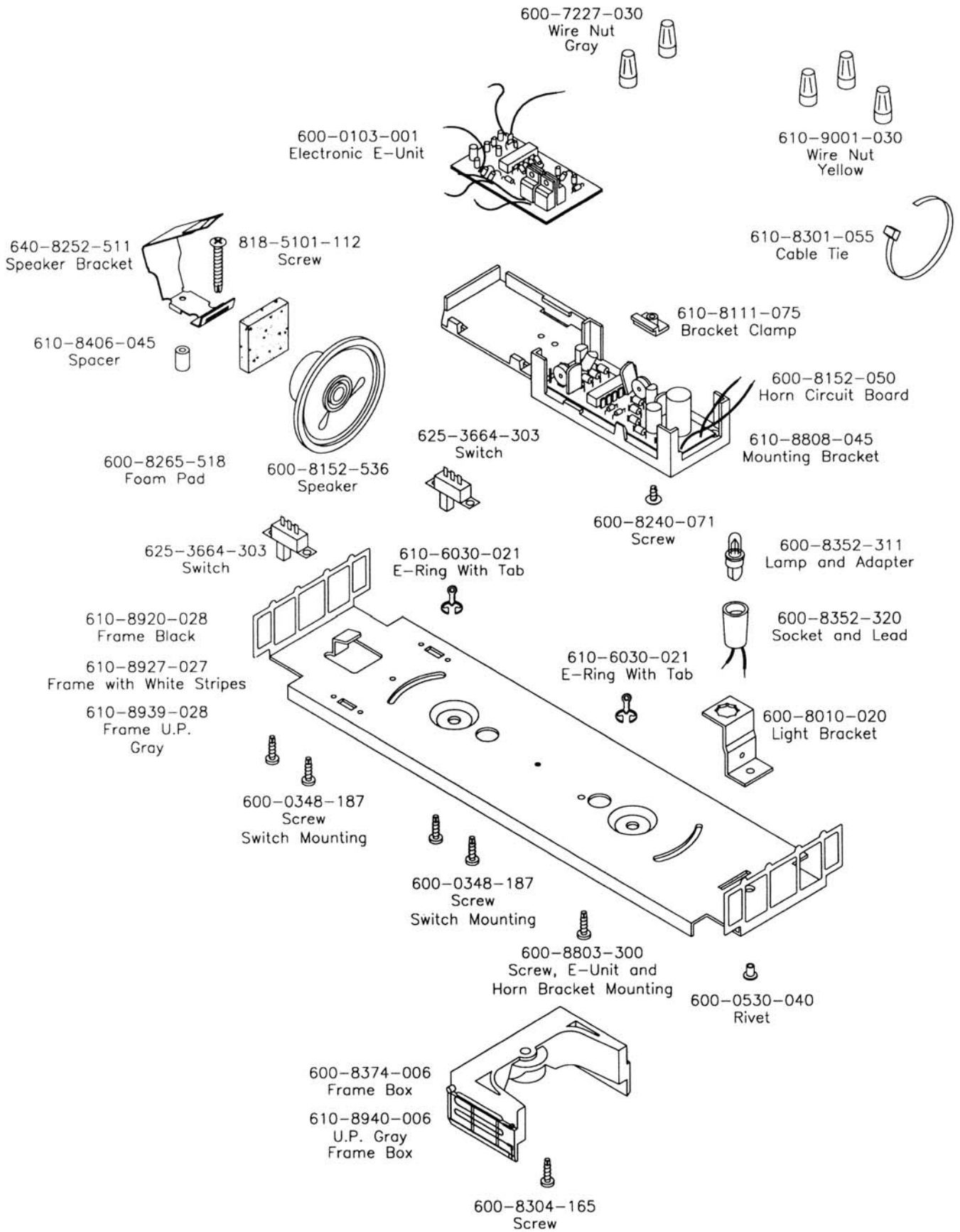
610-8939-001 Union Pacific

(Page 1 of 4)

610-8946-001 Coast Guard



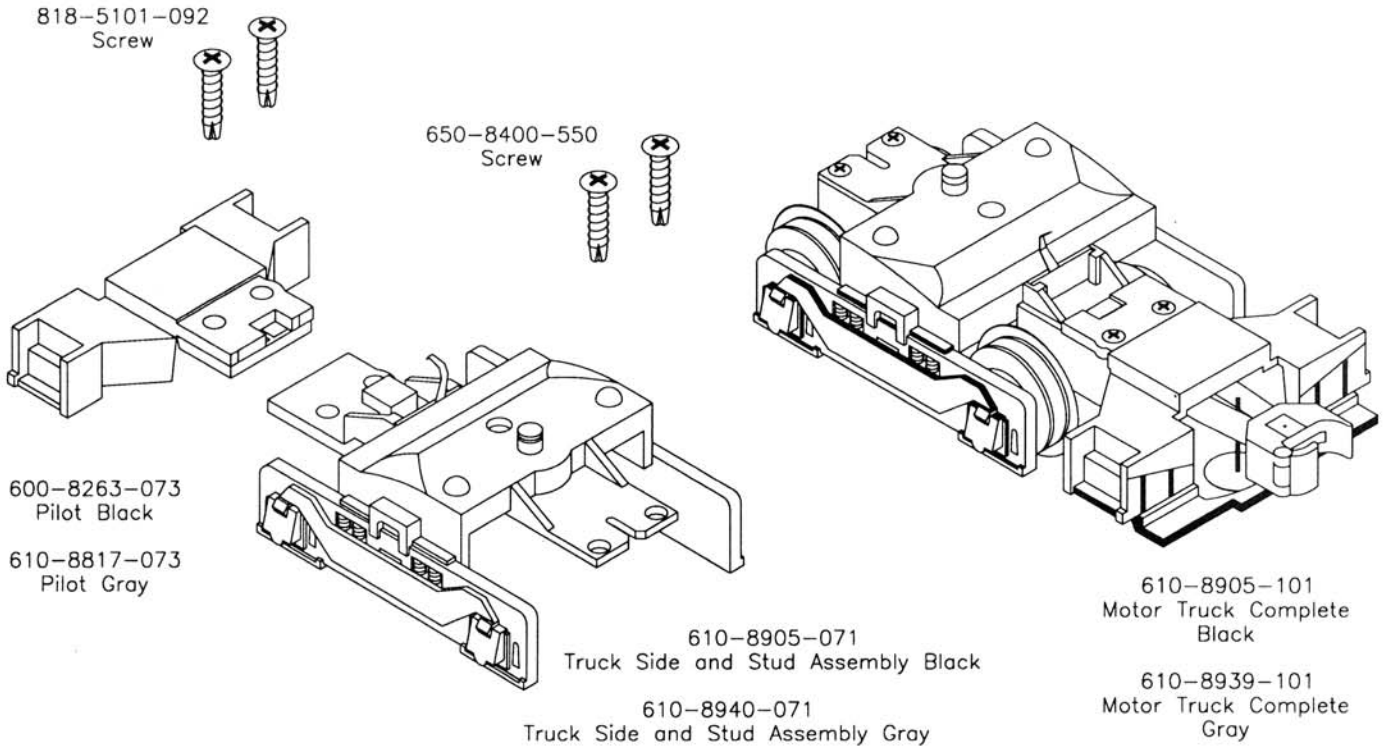
NW-2 DIESEL SWITCHERS WITH CAN MOTOR  
 610-8939-001 Union Pacific  
 610-8946-001 Coast Guard



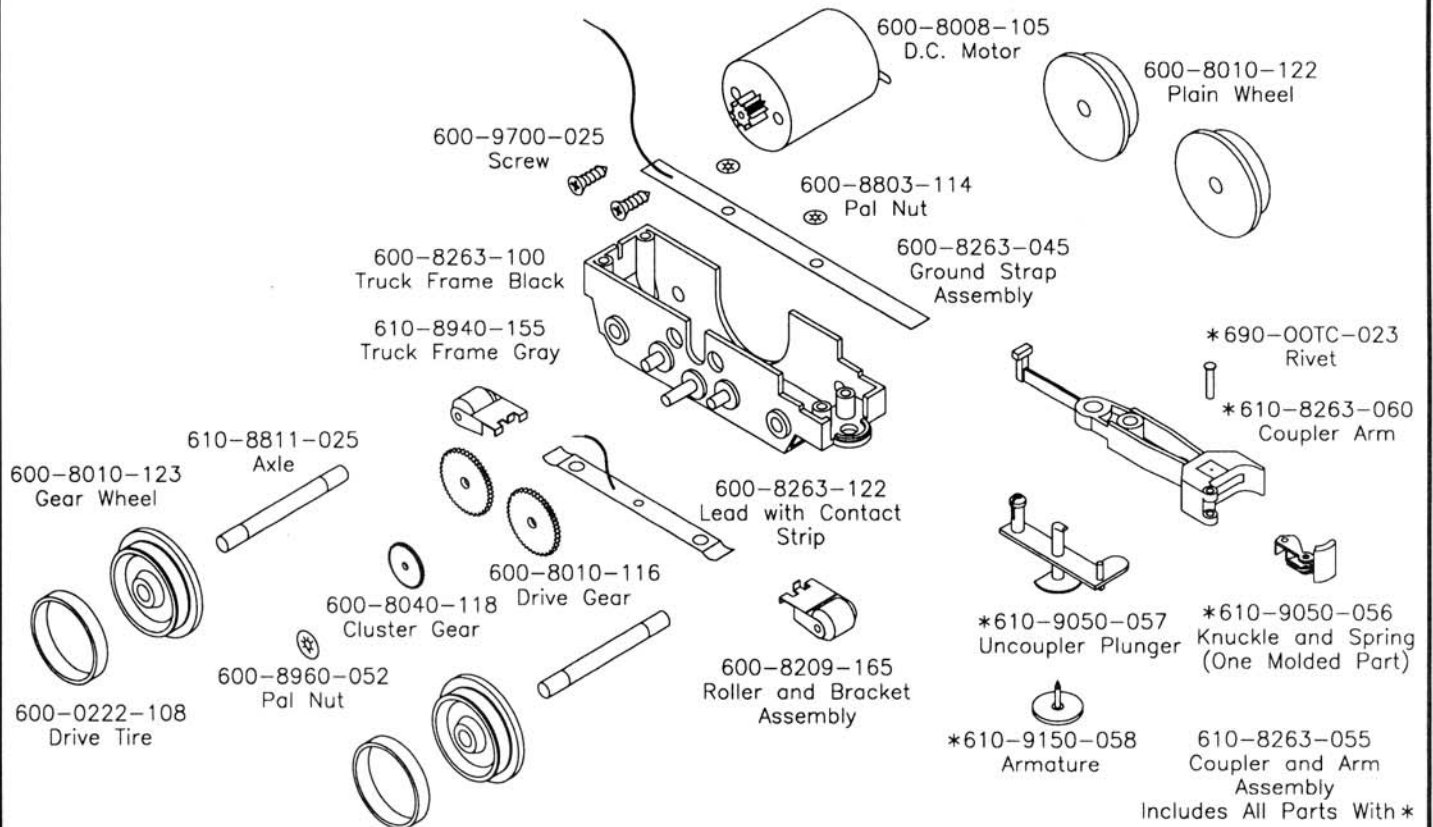


610-8905-101 MOTOR TRUCK COMPLETE BLACK  
 610-8939-101 MOTOR TRUCK COMPLETE GRAY

(Page 3 of 4)

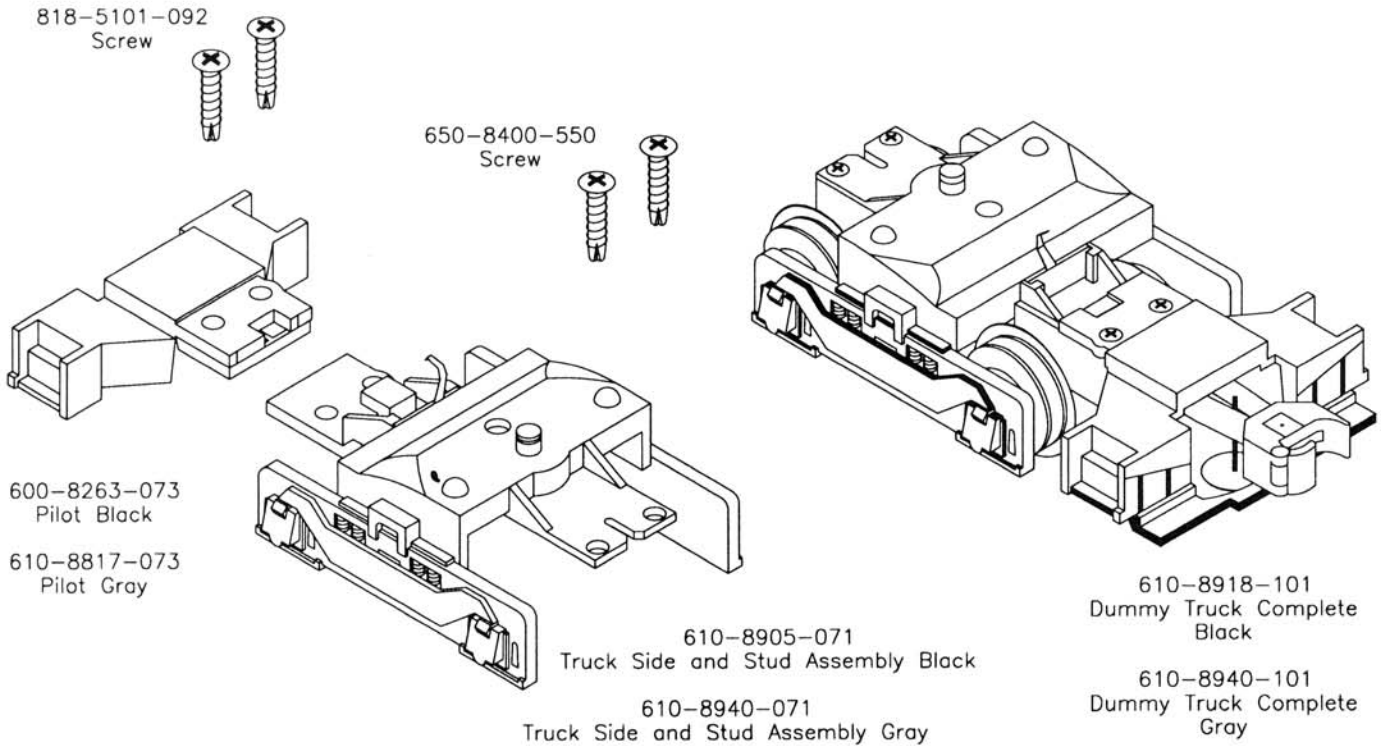


600-8369-151 MOTOR TRUCK AND WHEEL ASSEMBLY BLACK  
 610-8939-151 MOTOR TRUCK AND WHEEL ASSEMBLY GRAY

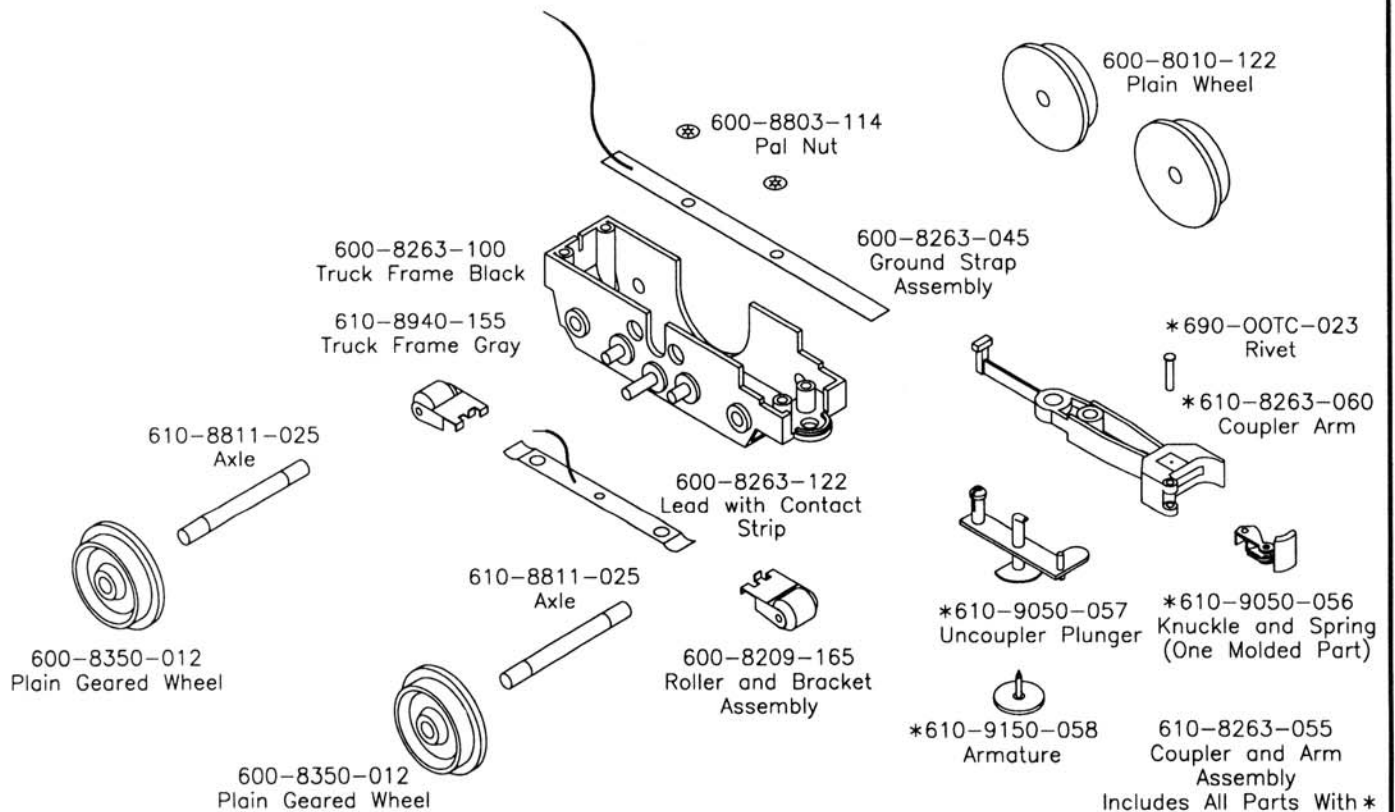


610-8918-101 DUMMY TRUCK COMPLETE BLACK  
 610-8940-101 DUMMY TRUCK COMPLETE GRAY

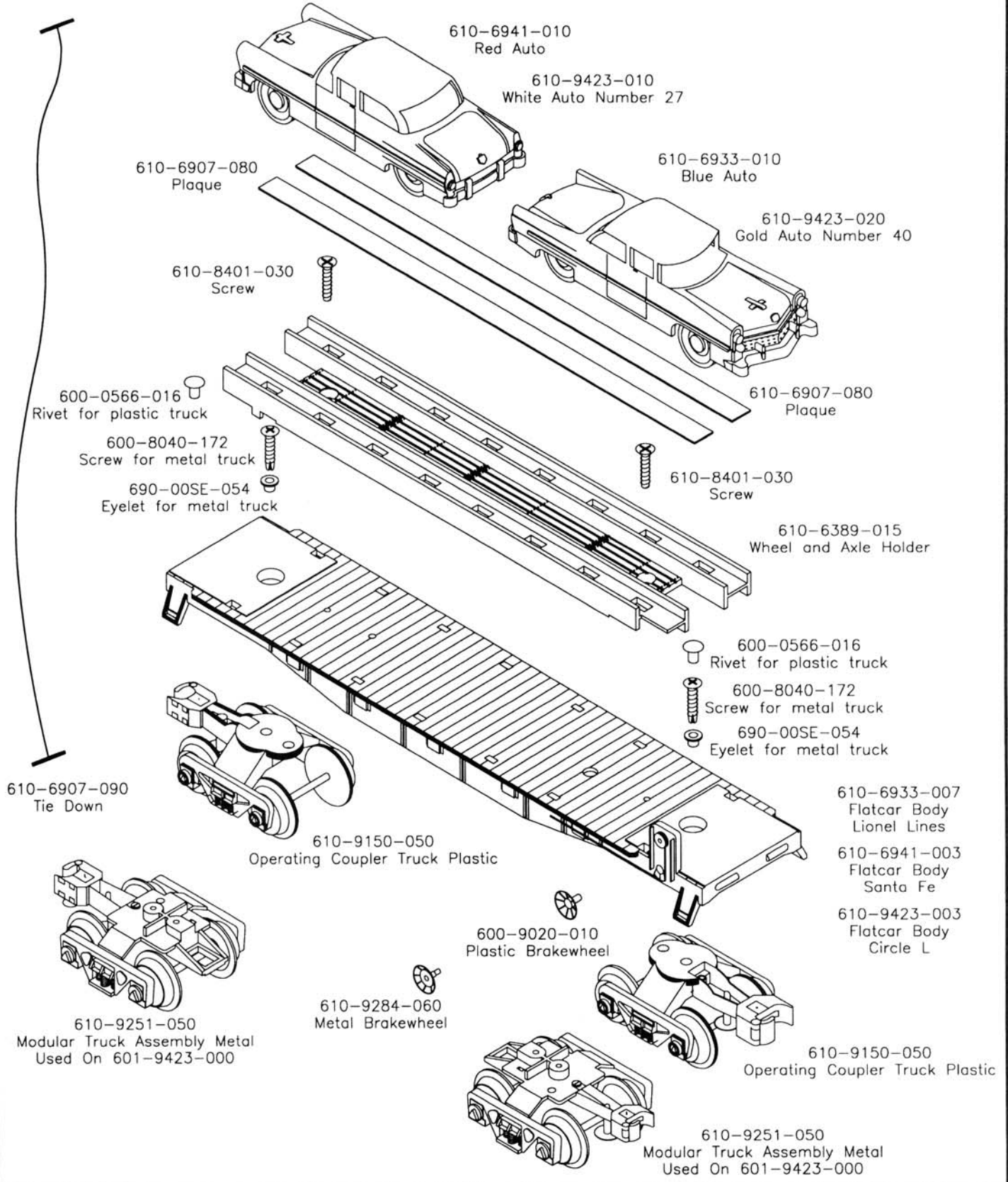
(Page 4 of 4)



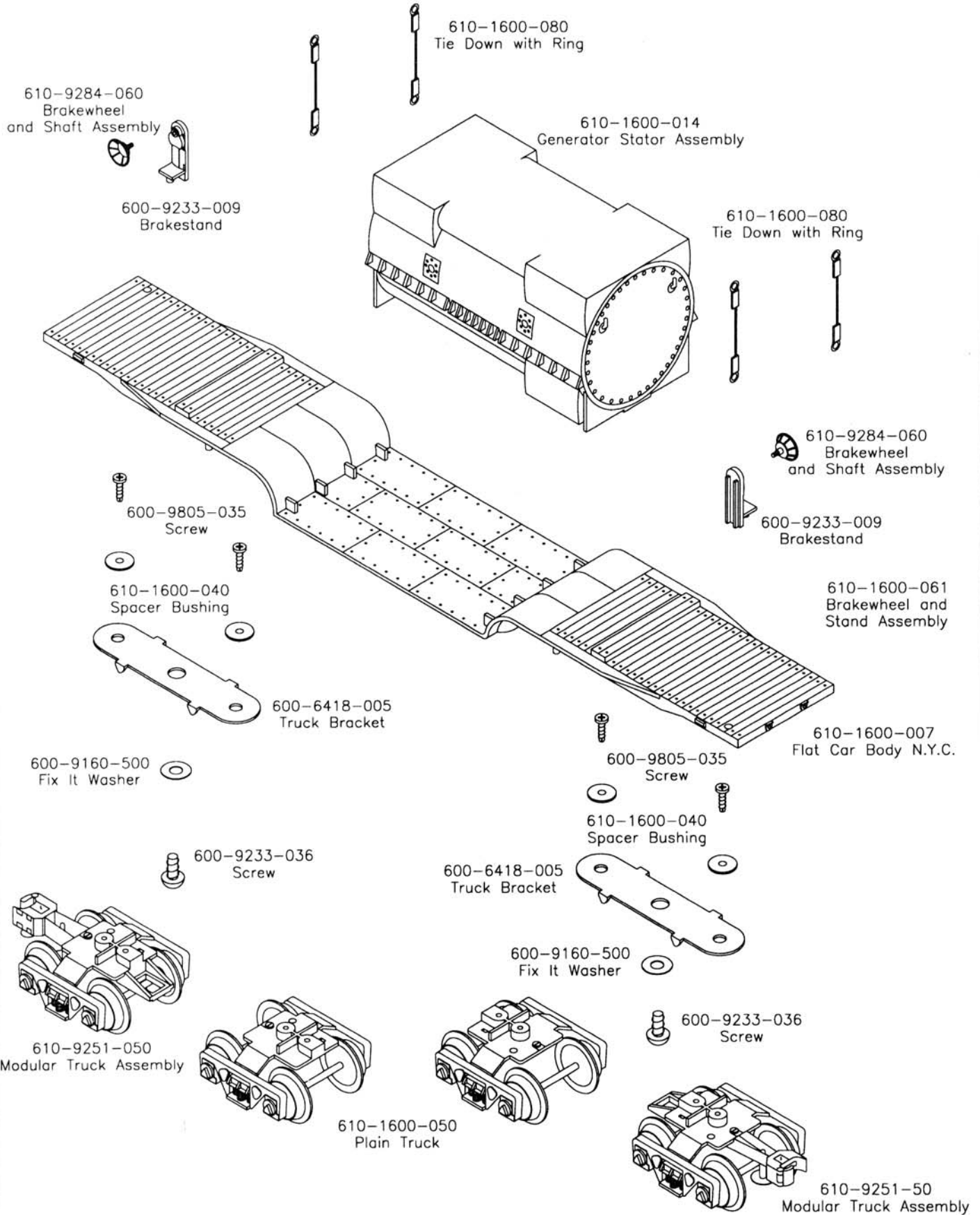
600-8918-151 DUMMY TRUCK AND WHEEL ASSEMBLY BLACK  
 610-8940-151 DUMMY TRUCK AND WHEEL ASSEMBLY GRAY



FLATCAR WITH AUTOMOBILES  
 601-6933-000 LIONEL LINES  
 610-6941-001 SANTA FE WITH RED AUTOS  
 601-9423-000 CIRCLE L WITH RACING AUTOS

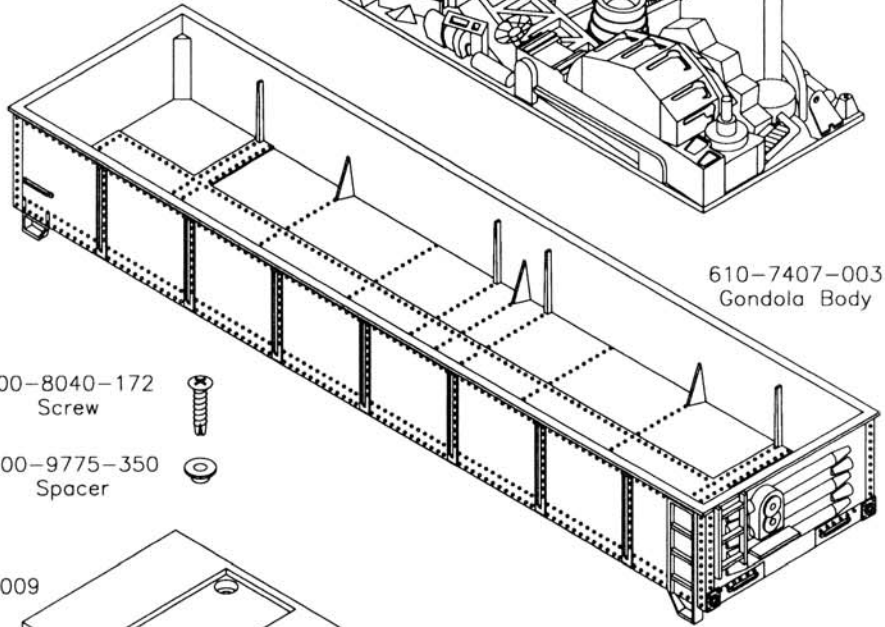
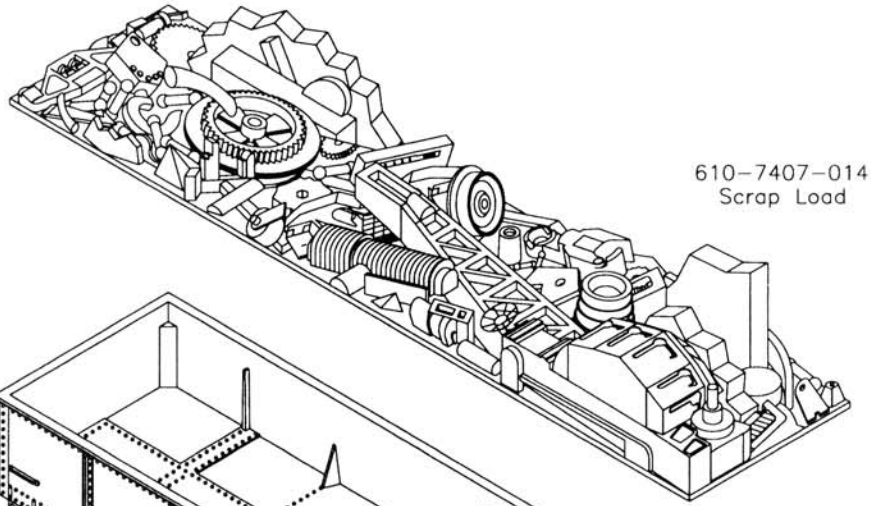




# 605-1600-000 N.Y.C. DEPRESSED 16 WHEEL FLAT CAR WITH GENERATOR STATOR LOAD



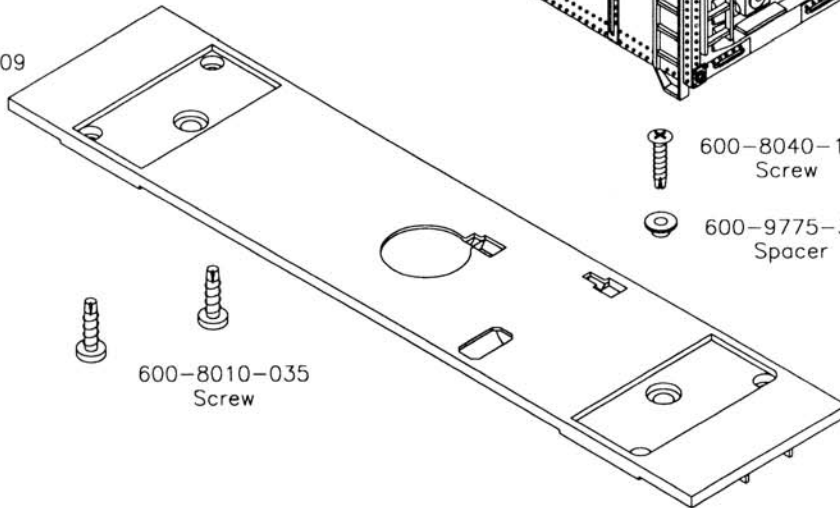
# GONDOLA WITH SCRAP LOAD


## 601-7407-000 Nickel Plate Road



- 600-8040-172  
Screw 
- 600-9775-350  
Spacer 

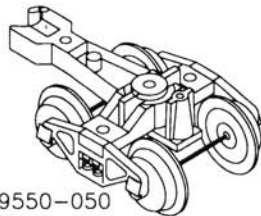
600-9805-009  
Frame




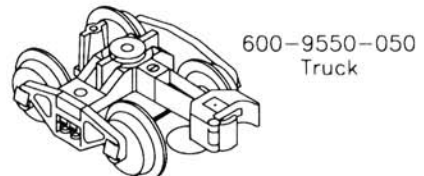
- 600-9020-010  
Brakewheel 

- 600-8040-172  
Screw 
- 600-9775-350  
Spacer 

- 600-8010-035  
Screw 
- 600-8010-035  
Screw 

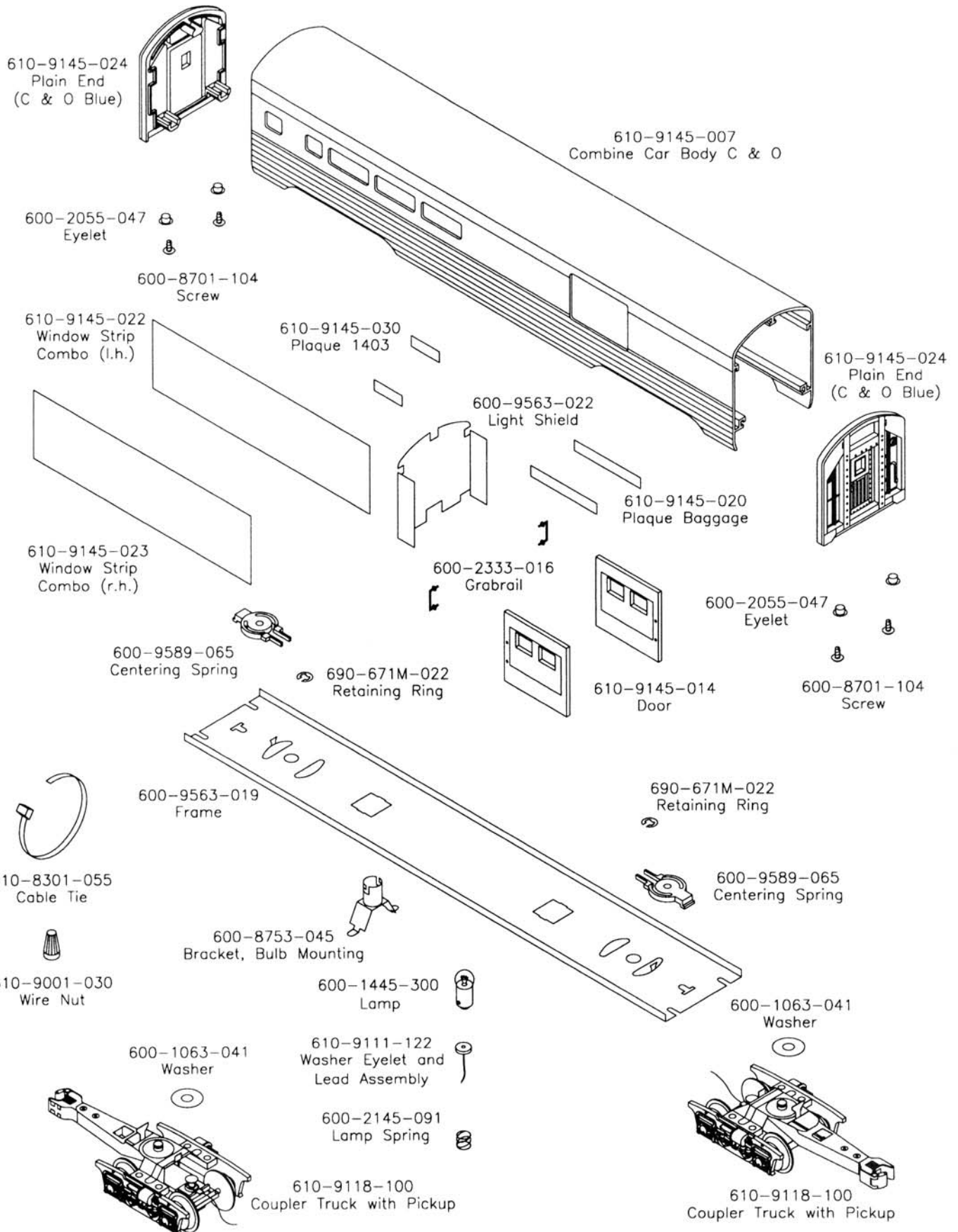


- 600-8010-035  
Screw 
- 600-8010-035  
Screw 



# C & O ALUMINUM PASSENGER CARS

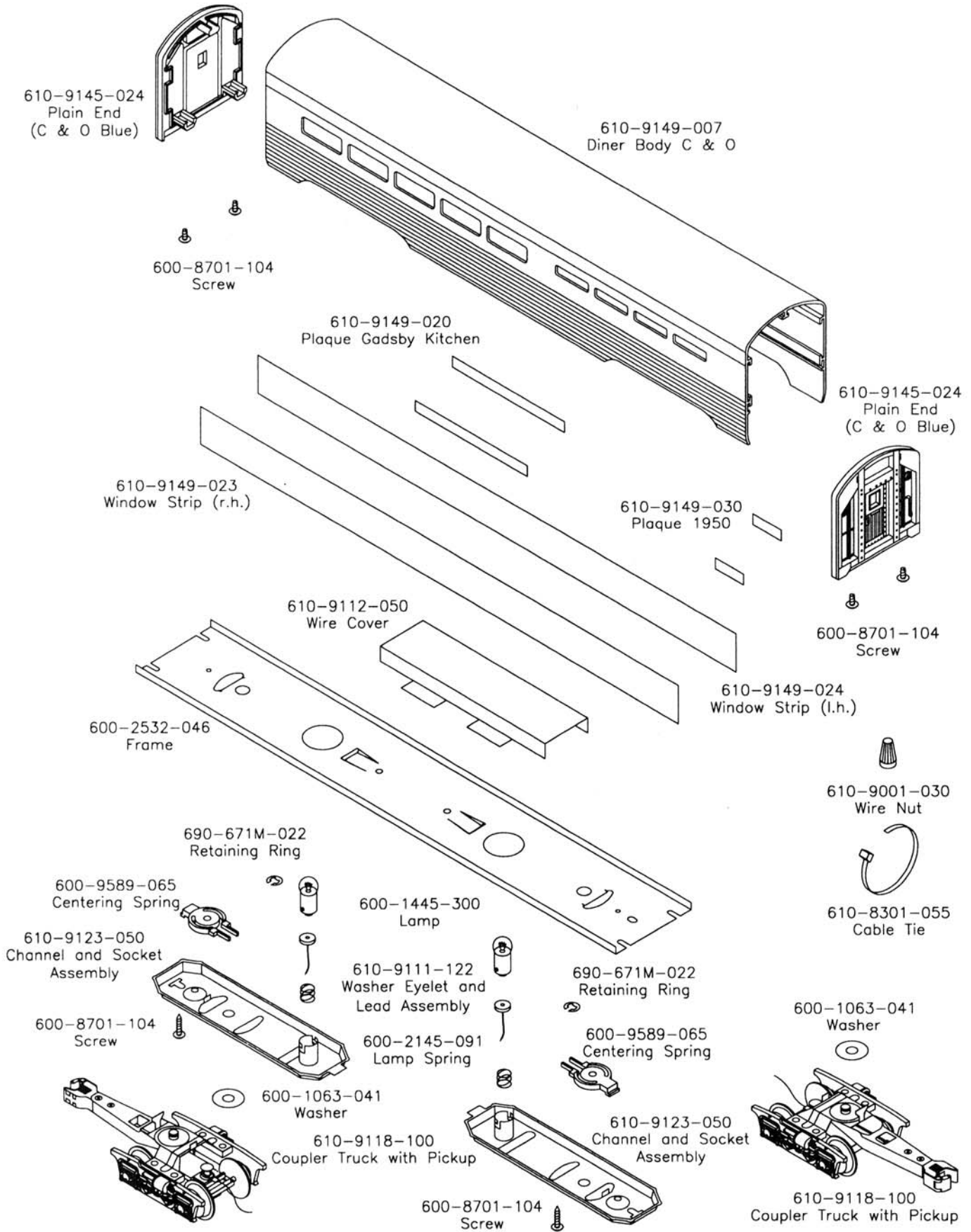
## 601-9145-000 COMBO CAR



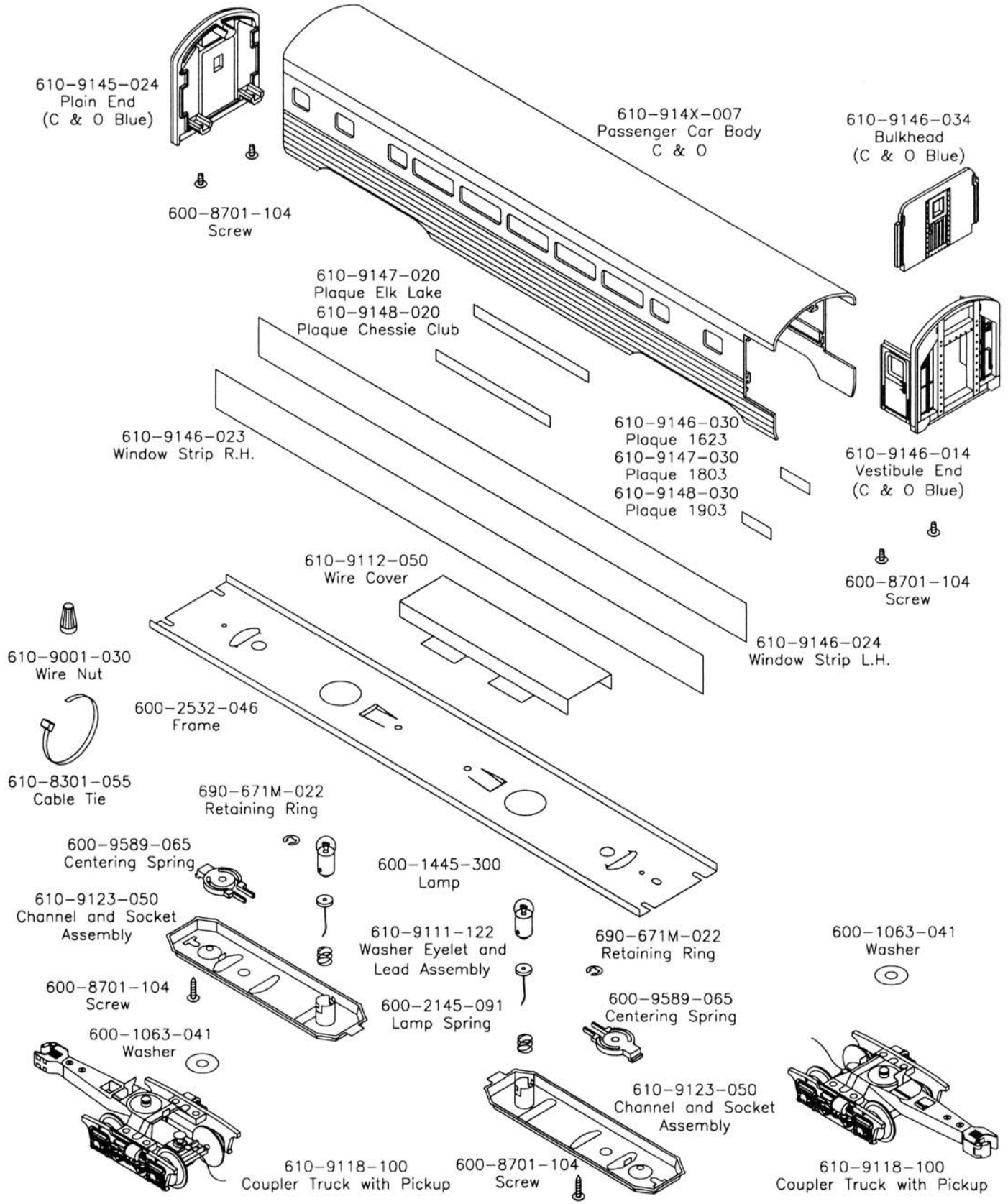


# C & O ALUMINUM PASSENGER CARS

## 601-9149-000 DINING CAR



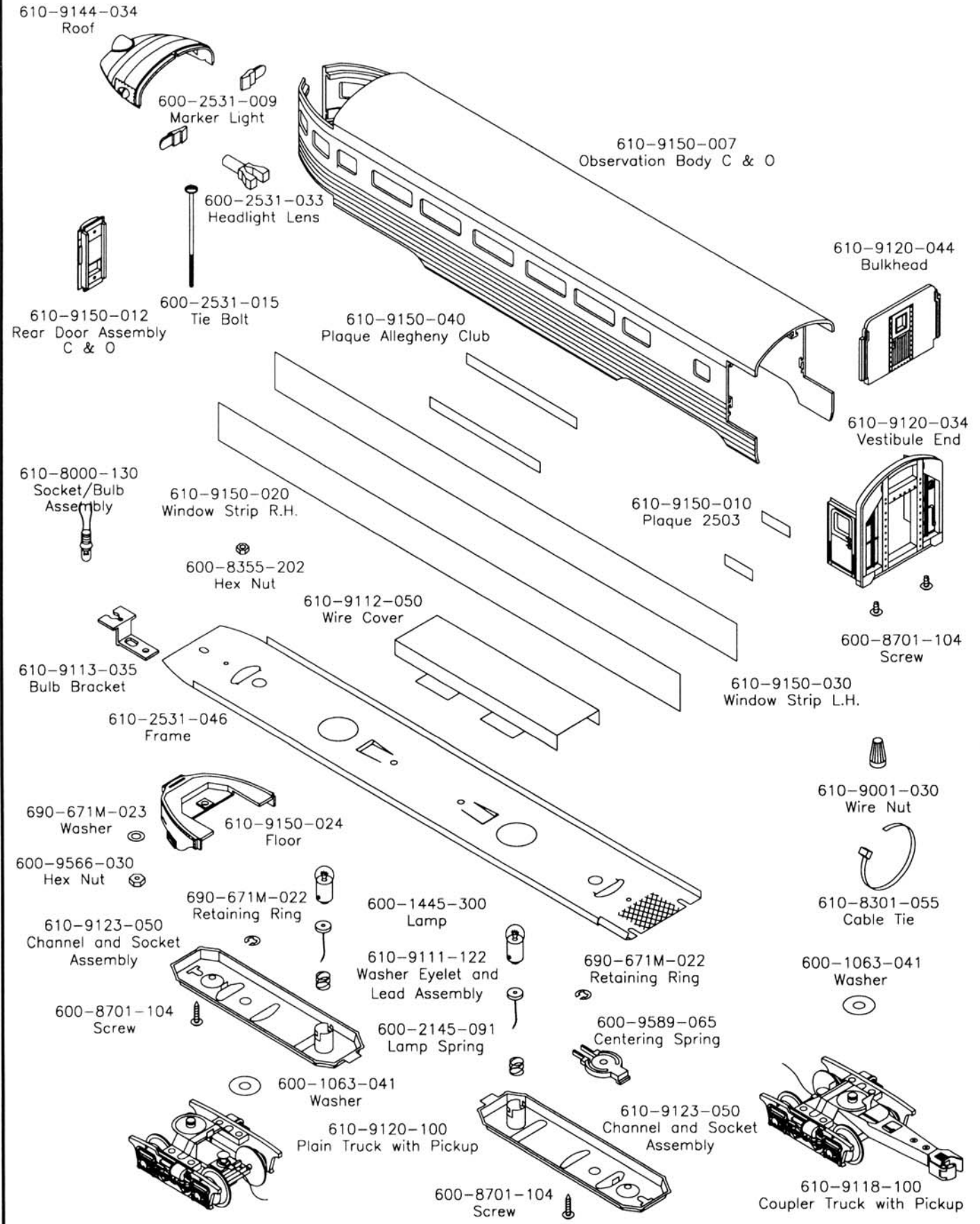
C & O ALUMINUM PASSENGER CARS  
 601-9146-000 C & O PASSENGER CAR  
 601-9147-000 C & O PASSENGER CAR ELK LAKE  
 601-9148-000 C & O PASSENGER CAR CHESSIE CLUB





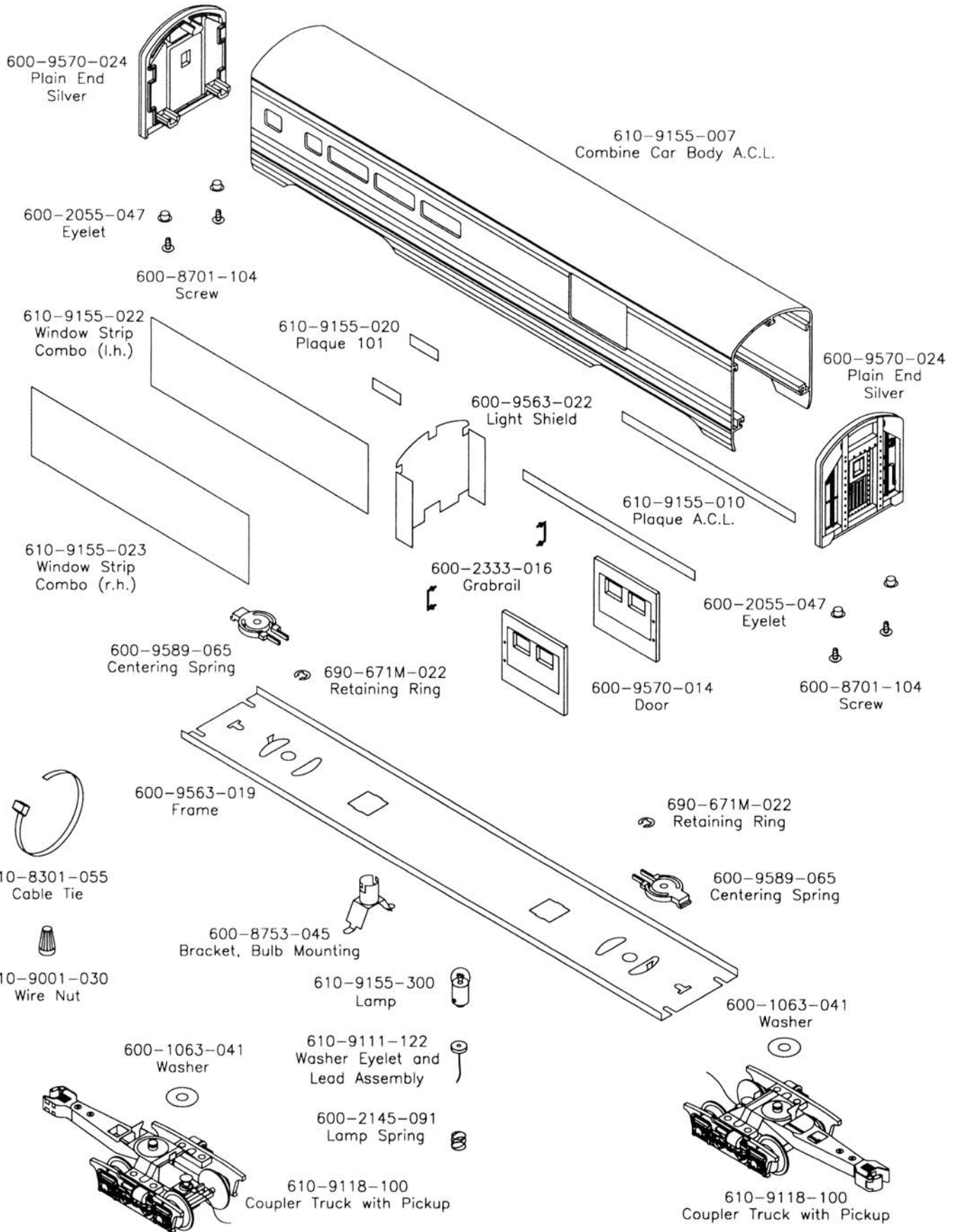
# C & O ALUMINUM PASSENGER CARS

## 601-9150-000 OBSERVATION CAR



# A.C.L. ALUMINUM PASSENGER CARS

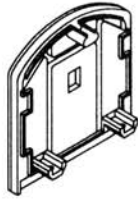
## 601-9155-000 COMBO CAR



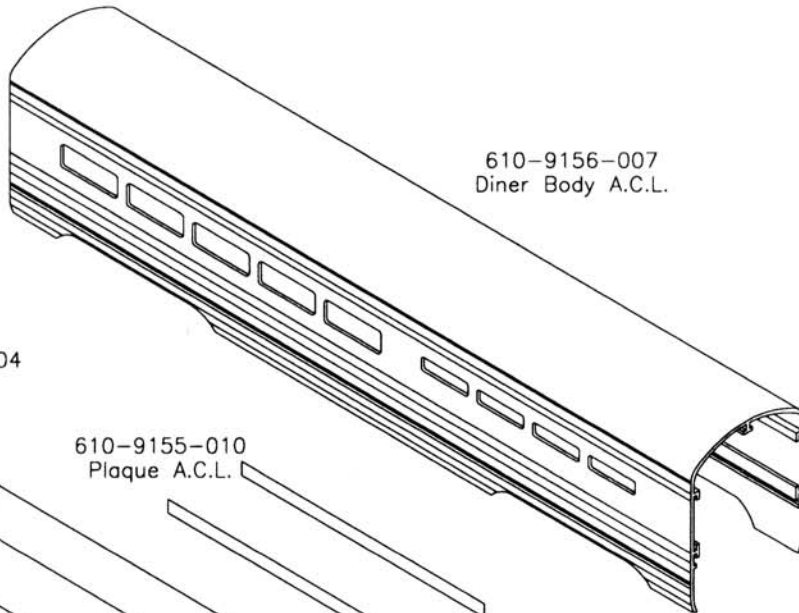
# A.C.L. ALUMINUM PASSENGER CARS

## 601-9156-000 DINING CAR

600-9570-024  
Plain End  
Silver



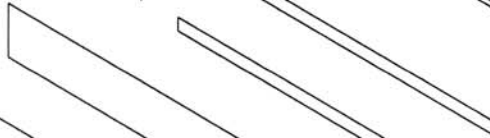
610-9156-007  
Diner Body A.C.L.



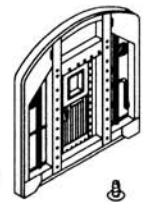
600-8701-104  
Screw



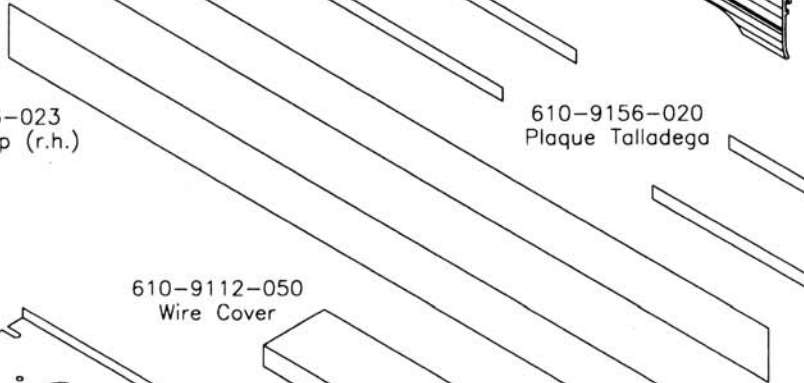
610-9155-010  
Plaque A.C.L.



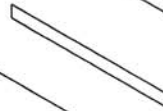
600-9570-024  
Plain End  
Silver



610-9156-023  
Window Strip (r.h.)



610-9156-020  
Plaque Talladega



600-8701-104  
Screw

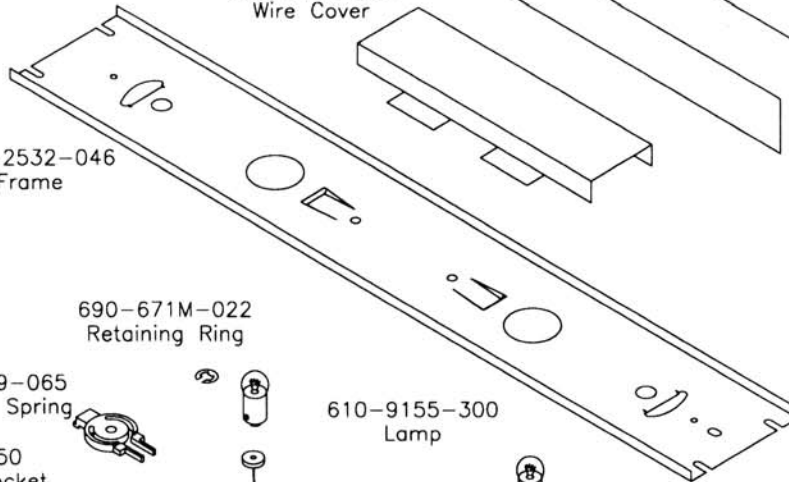


610-9112-050  
Wire Cover



610-9156-024  
Window Strip (l.h.)

600-2532-046  
Frame



610-9001-030  
Wire Nut



690-671M-022  
Retaining Ring



610-8301-055  
Cable Tie



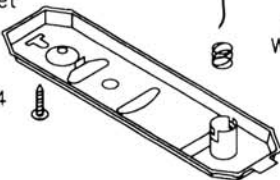
600-9589-065  
Centering Spring



610-9155-300  
Lamp



610-9123-050  
Channel and Socket  
Assembly



610-9111-122  
Washer Eyelet and  
Lead Assembly



690-671M-022  
Retaining Ring



600-1063-041  
Washer



600-8701-104  
Screw



600-2145-091  
Lamp Spring



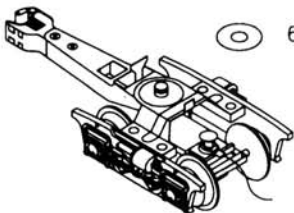
600-9589-065  
Centering Spring



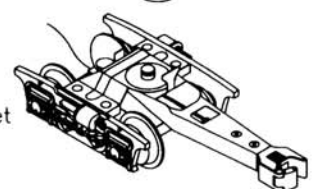
600-1063-041  
Washer



610-9118-100  
Coupler Truck with Pickup



610-9123-050  
Channel and Socket  
Assembly



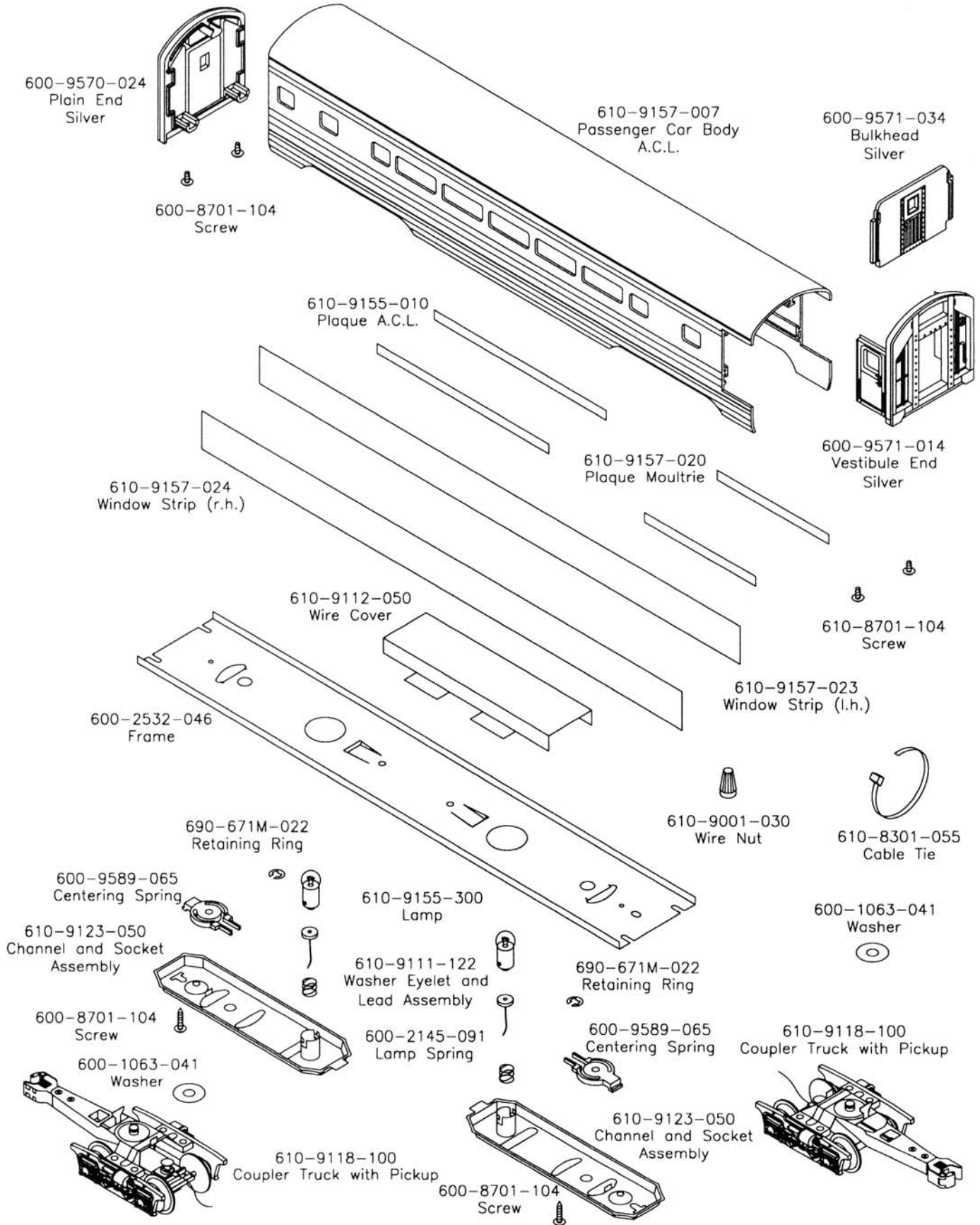
600-8701-104  
Screw



610-9118-100  
Coupler Truck with Pickup

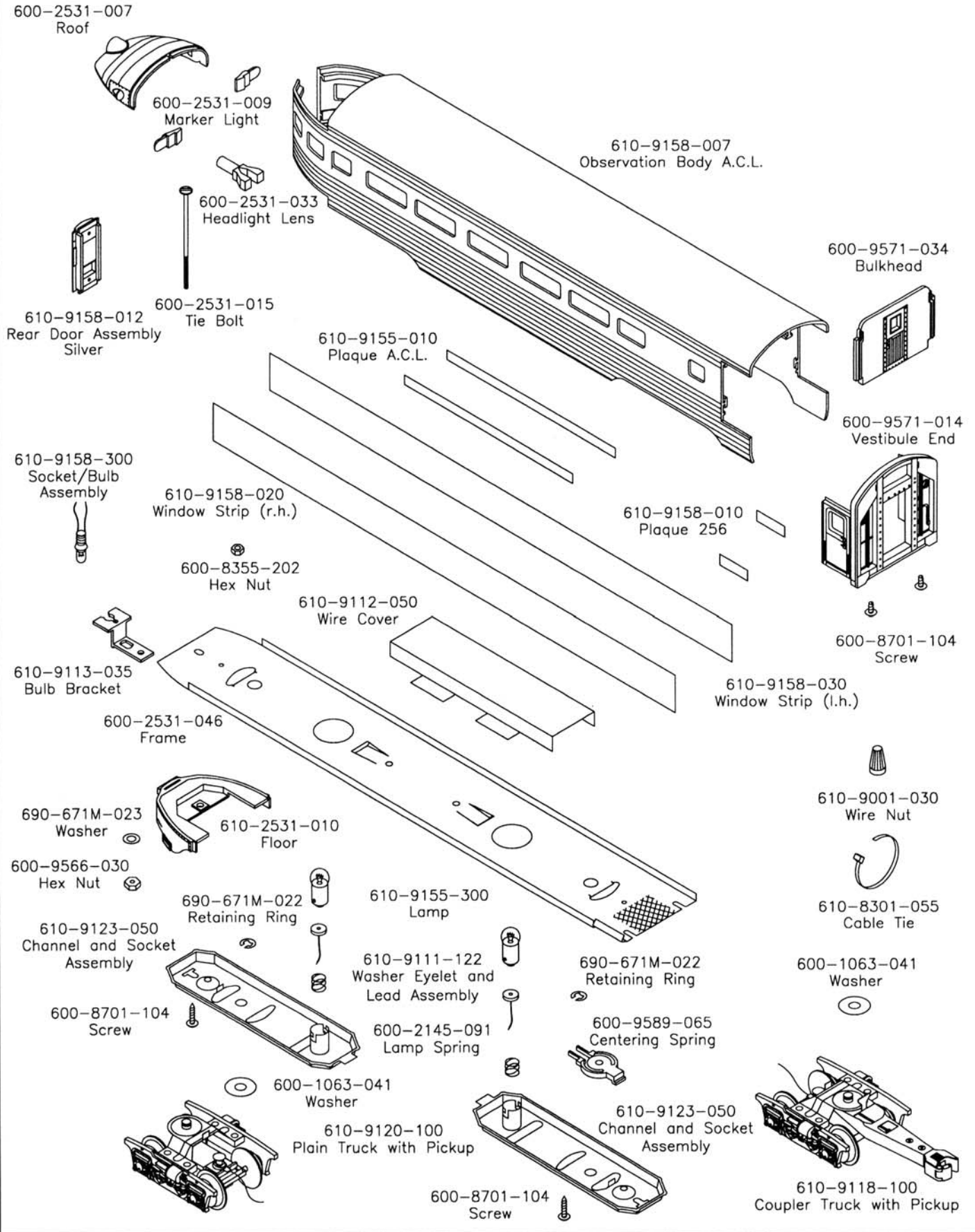
# A.C.L. ALUMINUM PASSENGER CARS

## 601-9157-000 A.C.L. PASSENGER CAR



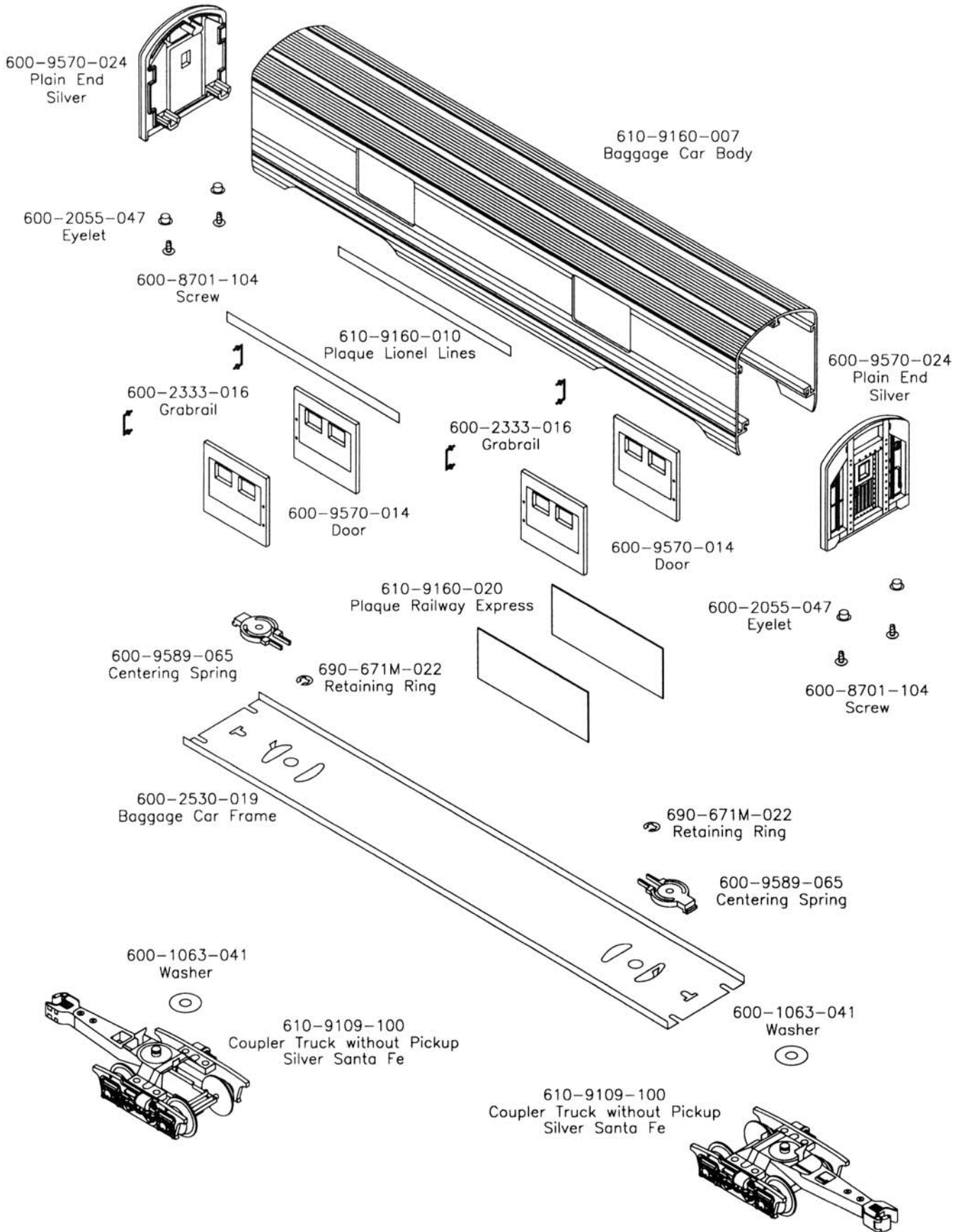
# A.C.L. ALUMINUM PASSENGER CARS

## 601-9158-000 OBSERVATION CAR



# SANTA FE ALUMINUM PASSENGER CARS

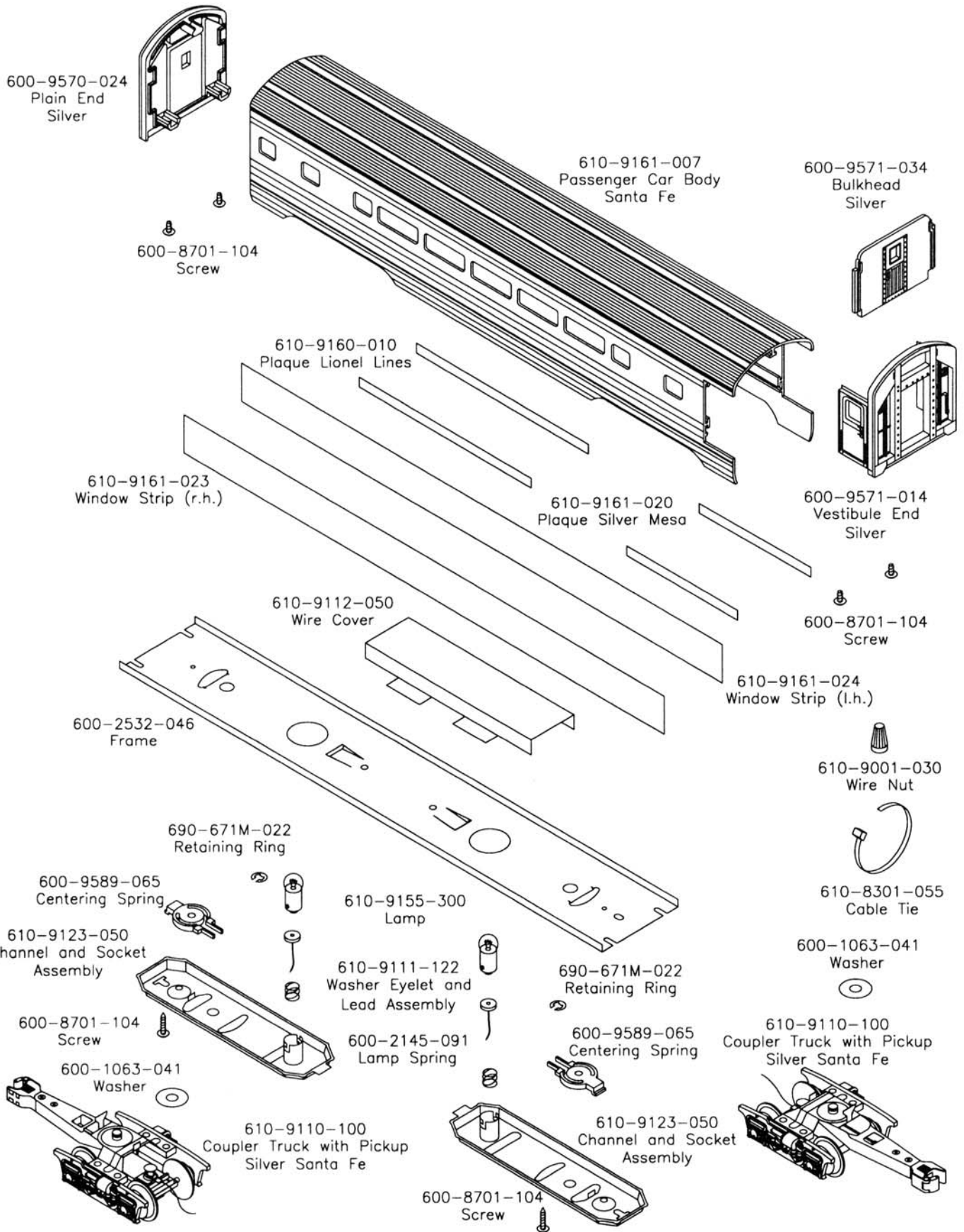
## 601-9160-000 BAGGAGE CAR





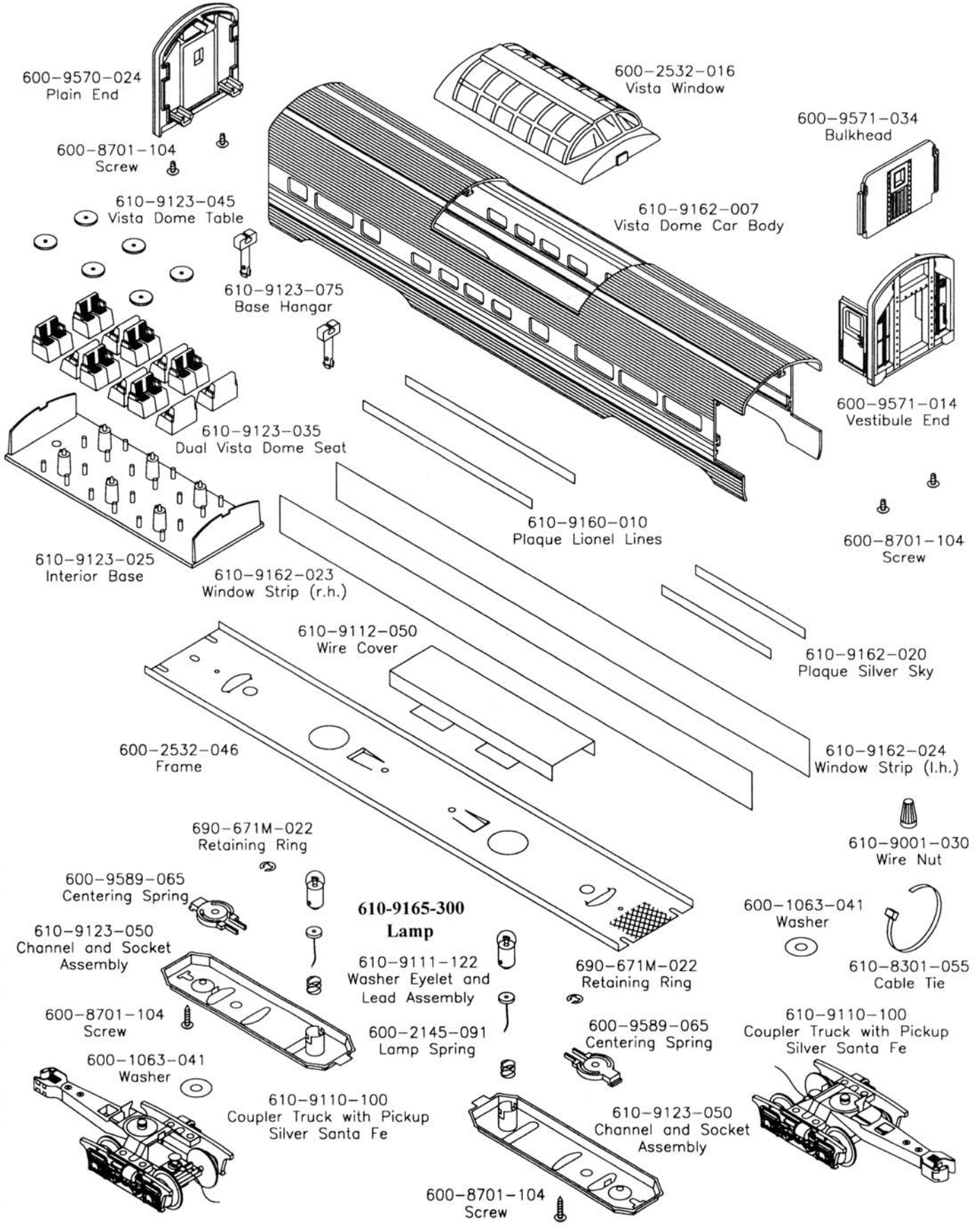
# SANTA FE ALUMINUM PASSENGER CARS

## 601-9161-000 SANTA FE PASSENGER CAR



# SANTA FE ALUMINUM PASSENGER CARS

## 601-9162-000 SANTA FE VISTA DOME CAR

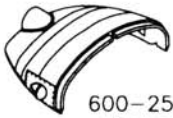




# SANTA FE ALUMINUM PASSENGER CARS

## 601-9163-000 SANTA FE OBSERVATION CAR

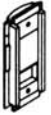
600-2531-007  
Roof



600-2531-009  
Marker Light

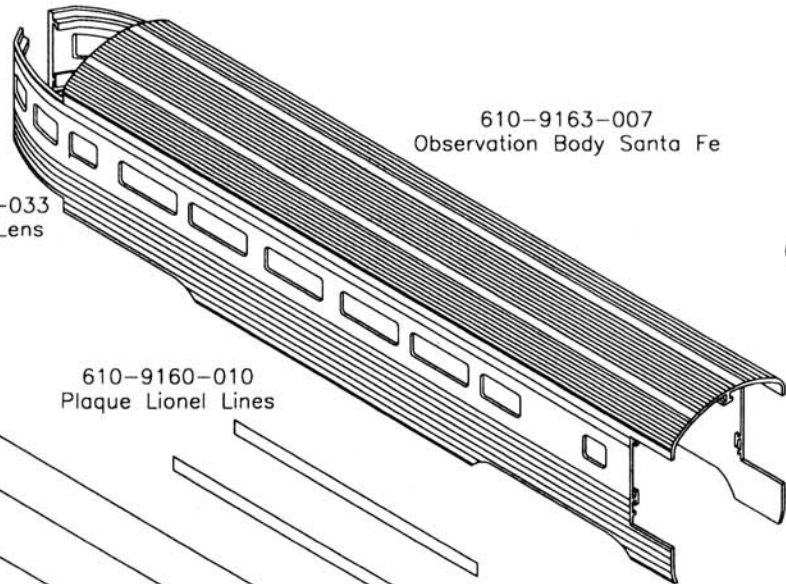


600-2531-033  
Headlight Lens



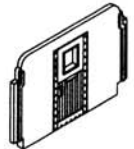
610-9163-012  
Rear Door Assembly  
Silver

600-2531-015  
Tie Bolt

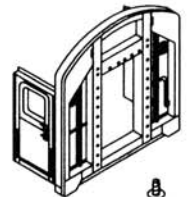


610-9163-007  
Observation Body Santa Fe

600-9571-034  
Bulkhead  
Silver



600-9571-014  
Vestibule End  
Silver



610-9158-300  
Socket/Bulb  
Assembly



610-9163-023  
Window Strip (r.h.)



600-8355-202  
Hex Nut

610-9112-050  
Wire Cover

610-9163-020  
Plaque Silver Rail

600-8701-104  
Screw

610-9113-035  
Bulb Bracket



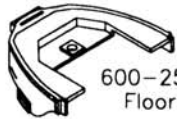
600-2531-046  
Frame

610-9163-024  
Window Strip (l.h.)



610-8301-055  
Wire Nut

690-671M-023  
Washer



600-2531-010  
Floor Silver

600-9566-030  
Hex Nut



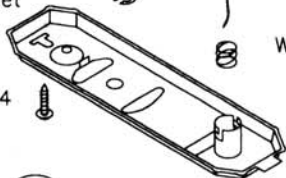
690-671M-022  
Retaining Ring



610-9155-300  
Lamp

610-8301-055  
Cable Tie

610-9123-050  
Channel and Socket  
Assembly



610-9111-122  
Washer Eyelet and  
Lead Assembly



690-671M-022  
Retaining Ring



600-1063-041  
Washer



600-8701-104  
Screw

600-2145-091  
Lamp Spring

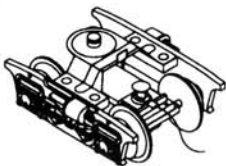


600-9589-065  
Centering Spring



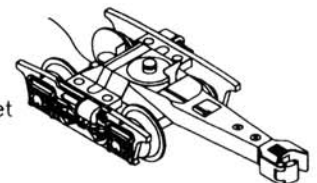
610-9110-100  
Coupler Truck with Pickup  
Silver Santa Fe

600-1063-041  
Washer



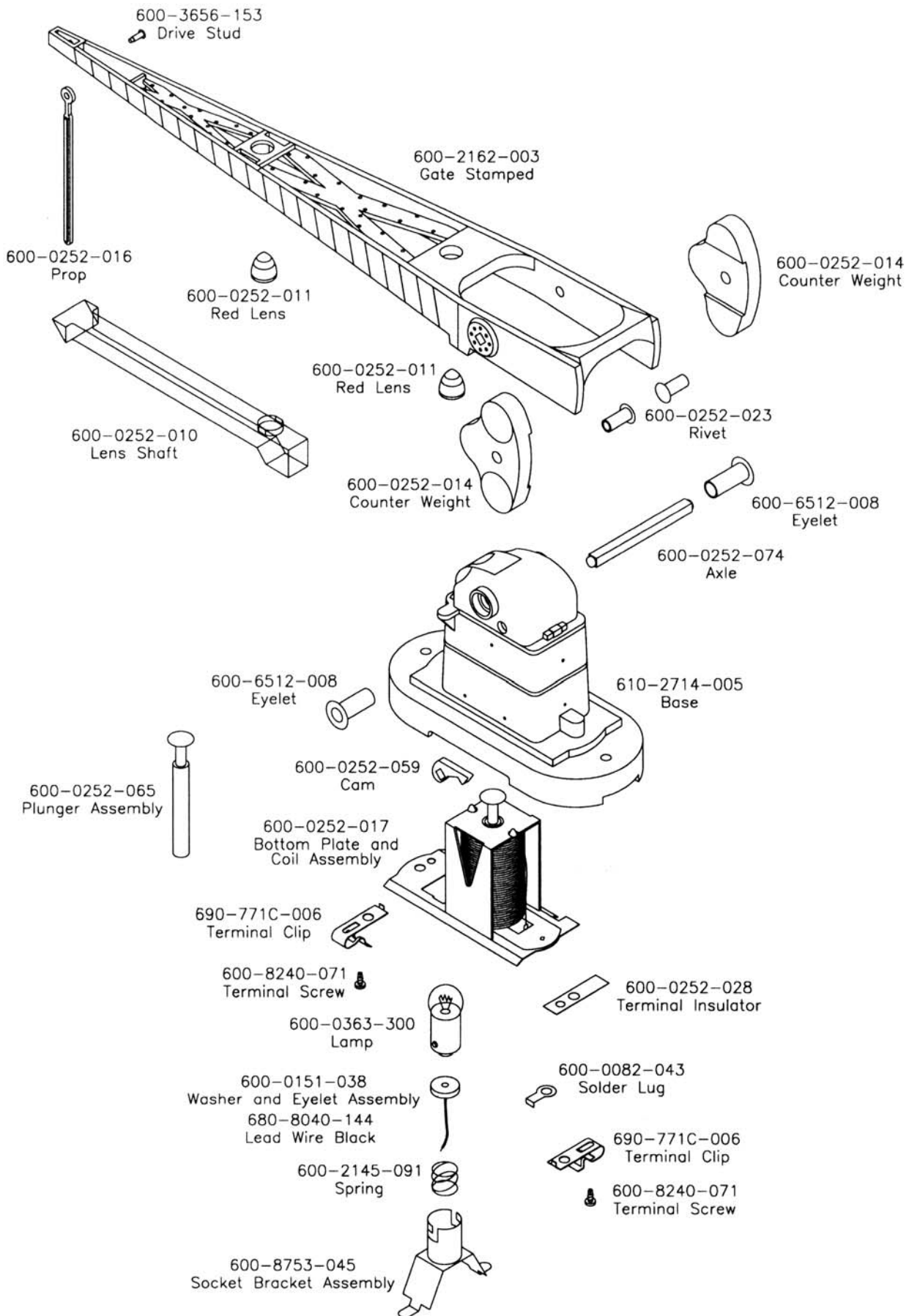
610-9113-100  
Plain Truck with Pickup  
Silver Santa Fe

610-9123-050  
Channel and Socket  
Assembly

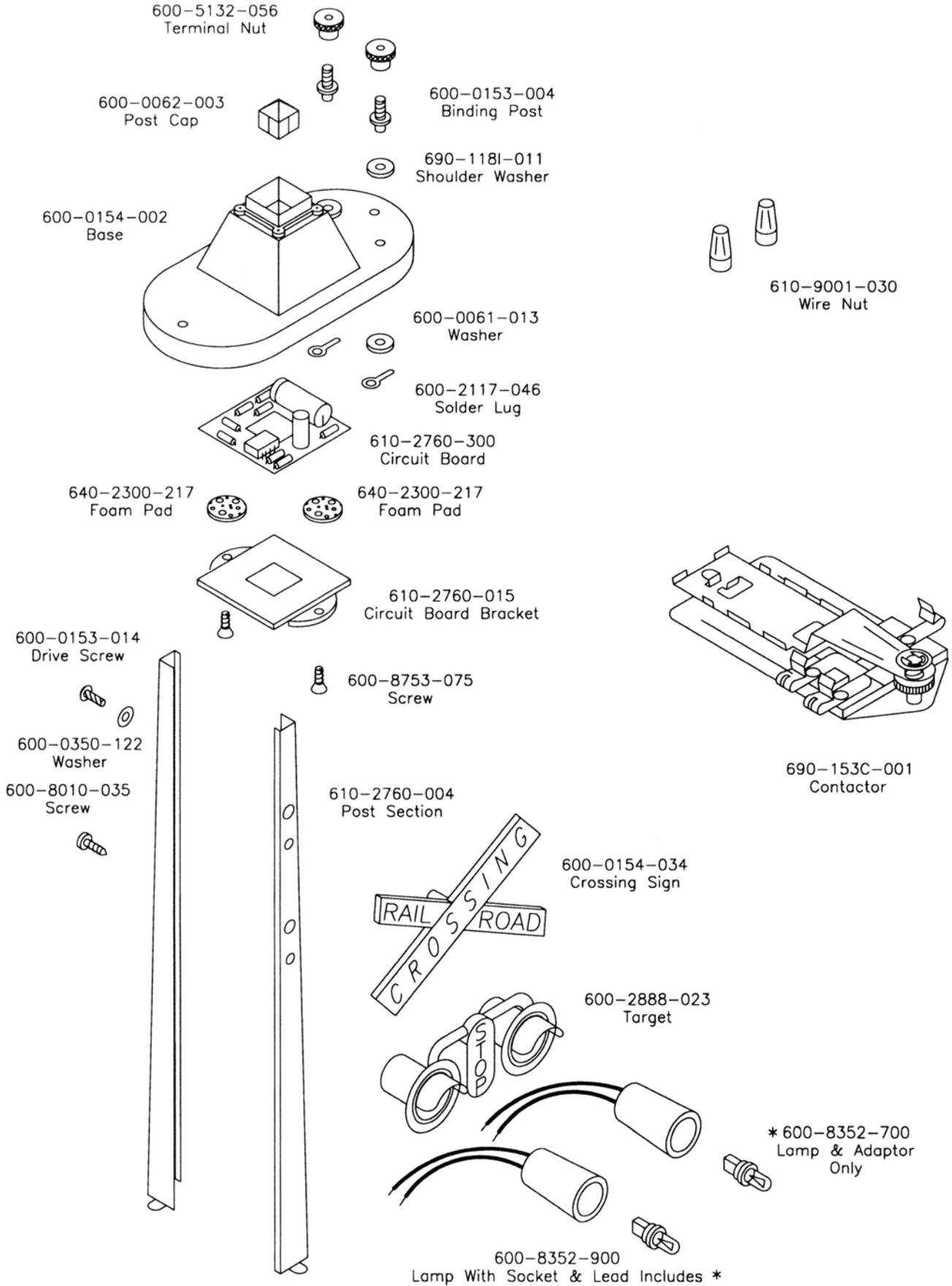


600-8701-104  
Screw

# 601-2714-000 AUTOMATIC CROSSING GATE

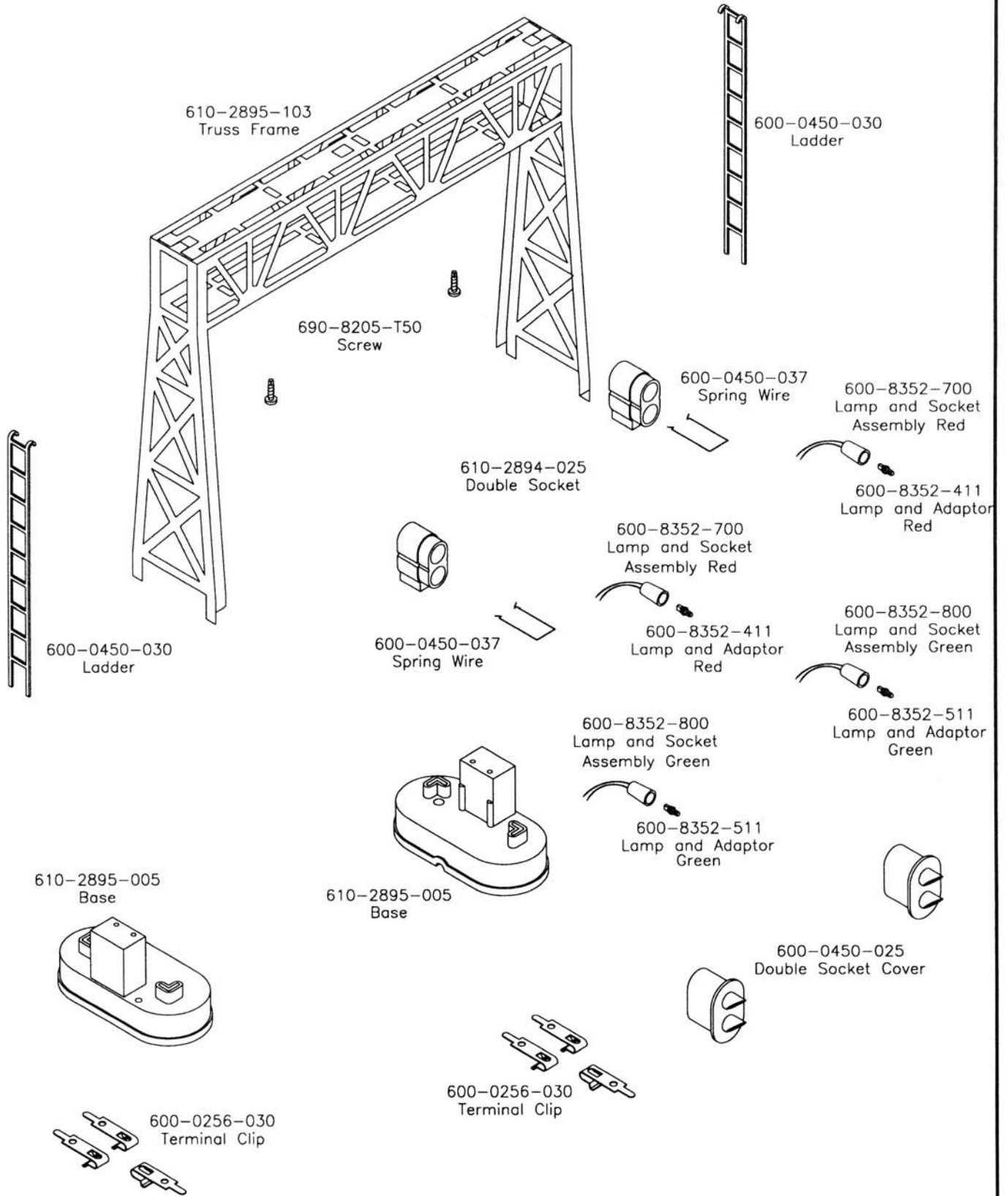


# 601-2888-000 AUTOMATIC HIGHWAY FLASHER



# OPERATING SIGNAL BRIDGE

## 601-2895-000



# AUTOMATIC BANJO SIGNAL

## 601-2709-000



818-7401-022  
Screw

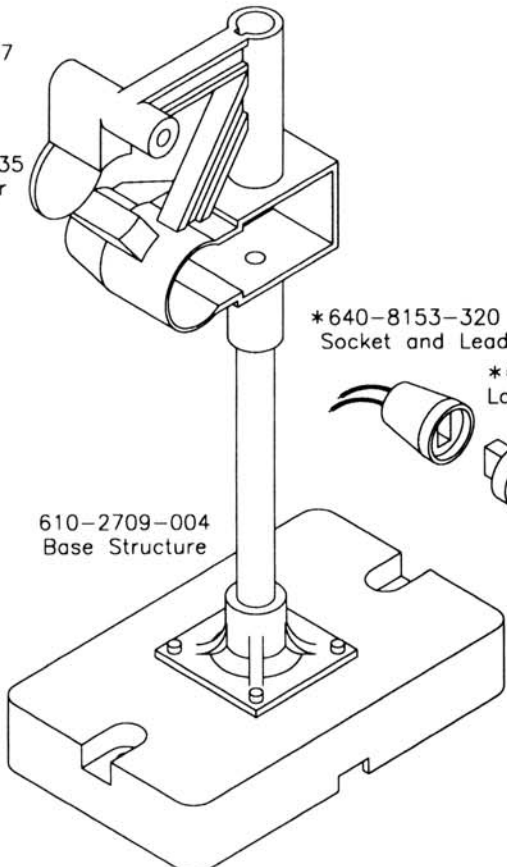
610-2709-039  
Crossing Sign



600-0348-187  
Screw

600-8352-600  
Lamp and Socket Assembly  
Includes all parts with \*

600-0140-035  
Lock Washer

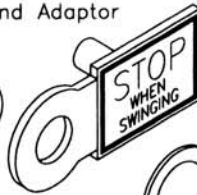


\*640-8153-320  
Socket and Lead

610-2709-013  
Lamp Cover

\*600-2313-400  
Lamp and Adaptor

610-2709-004  
Base Structure

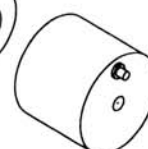


600-0140-019  
Coil Assembly

600-0140-019  
Driving Washer

600-0140-028  
Outer Cup and Pin  
Assembly

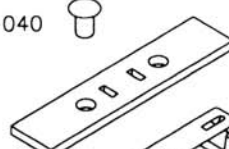
690-226E-033  
Shoulder  
Screw



610-2709-041  
Pendulum Sign

600-0530-040  
Rivet

600-0140-052  
Insulator Plate



690-771C-006  
Terminal Clip



690-2020-M09  
Solder Lug



600-8960-052  
Palnut





# 601-2915-000 LOG LOADER

(Page 2 of 2)

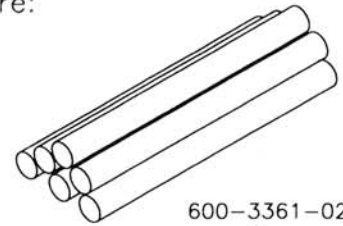
610-2915-175  
Lumber Rack

610-2915-165  
Platform

610-2915-155  
Floor

610-2915-125  
Platform Support

NOTE: All screws this page are:  
610-2915-080  
Screw



600-3361-021  
Log

610-2915-231  
Square Shaft

610-2915-255  
Lumber Post  
Right Hand

610-2915-145  
Plate

610-2915-150  
Gear Box Assembly  
(Unloader)

610-2915-245  
Lumber Post  
Left Hand

610-2915-105  
End Runner  
Left Hand

610-2915-235  
Sleeve

610-2915-235  
Sleeve

610-2915-241  
Shaft

610-2915-031  
Chain

610-2915-251  
Shaft

610-2915-235  
Sleeve

610-2915-195  
Bearing

610-2915-095  
End Runner

610-2915-215  
Sprocket B

610-2915-355  
Gear

610-2915-115  
End Runner  
Right Hand

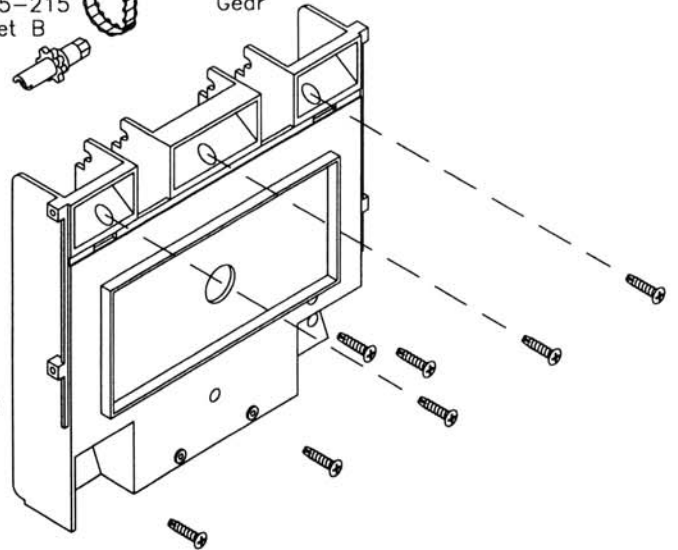
610-2915-225  
Sleeve Coupling

610-2915-033  
Lumber Hook

610-2915-205  
Sprocket A

610-2915-195  
Bearing

610-2915-085  
Elevator Base

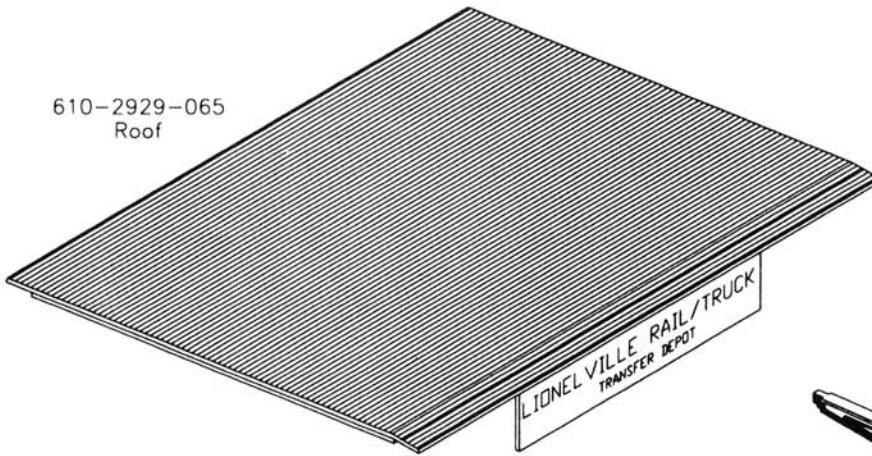




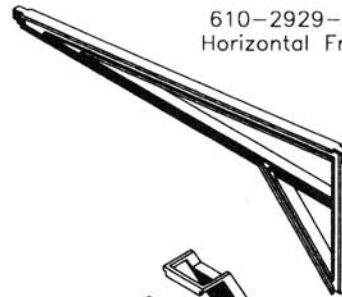
# 6-12929 RAIL-TRUCK LOADING DOCK

(Page 1 of 2)

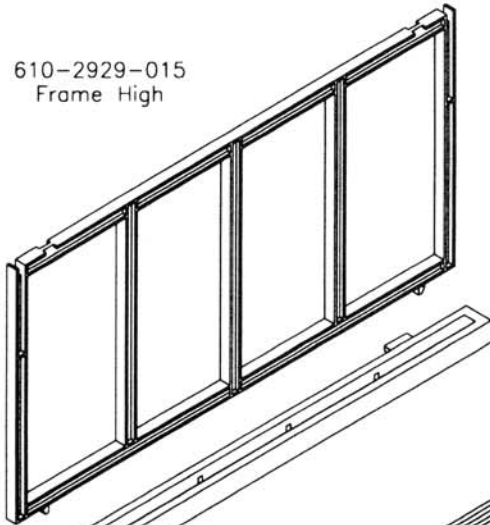
610-2929-065  
Roof



610-2929-035  
Horizontal Frame



610-2929-015  
Frame High



610-2929-012  
Figure with Base

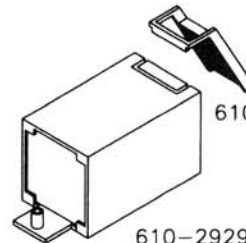


610-2929-160  
Screw Short



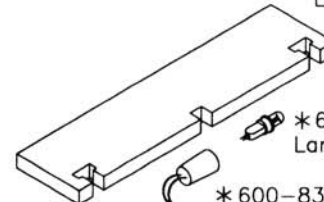
610-2929-120  
Figure Mount

610-2929-055  
Ladder



610-2929-150  
Small Platform

\*610-2929-190  
Lamp Holder Assembly  
Top



\*600-8352-311  
Lamp and Adaptor

\*600-8352-320  
Lamp Socket and  
Lead Assembly

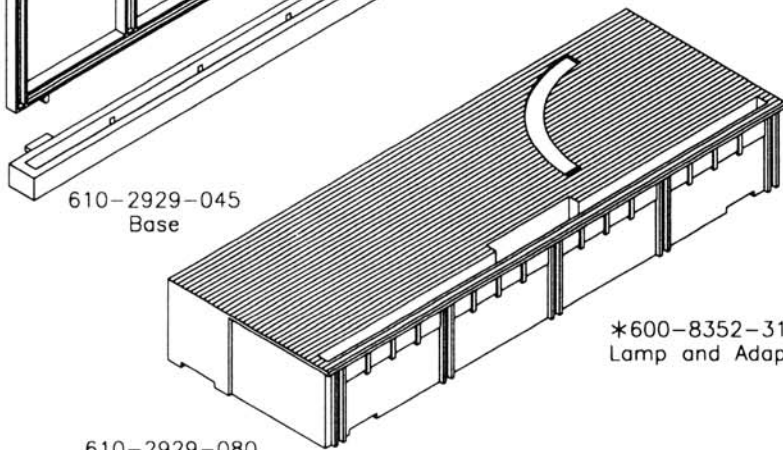
\*600-8352-311  
Lamp and Adaptor



\*610-2929-185  
Lamp Holder  
Assembly Bottom

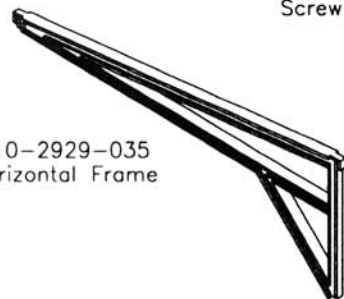
610-2929-160  
Screw Short

610-2929-045  
Base



610-2929-080  
Dock Platform

610-2929-160  
Screw Short



610-2929-035  
Horizontal Frame

\*610-2929-160  
Screw Short

610-2929-075  
Lamp Holder Assembly  
Includes all parts with \*

610-2929-025  
Small Side Frame

610-2929-078  
Lamp Contact Cover



610-2929-076  
Lamp Contact



# 6-12929 RAIL-TRUCK LOADING DOCK

