



LIONEL

\$10.00
#610-0036-001
Issued 3-97

PARTS LIST AND EXPLODED DIAGRAMS SUPPLEMENT 36

Produced by Lionel®
50625 Richard W. Boulevard
Chesterfield, MI 48051-2493

CONTENTS

O and O27 gauges

Diesel engines & Electrics

GP-9 Diesel

New York Central (610-8563-001)

Southern Pacific (610-8562-001)

Motorized Unit

Tie-Jector (601-8427-000)

Rolling Stock

Caboose Center Cupola

Chessie (6-16573) Reading (6-16562)

Seaboard (6-16559) U.P. (6-16561)

U.P. (610-6569-001)

W. M. (6-16564)

Flatcars with Transformer

GA Power (6-16944) L.L. (6-16332)

Lionel 6461 (6-16967) NYC (6-16341)

Standard "O" Three Bay Hoppers

C & O (6-17128) CSX (6-17120)

D & H (6-17127) I. C. (6-17121)

L.C.C.A (6-52038) Lehigh Vly (6-17113)

Peabody (6-17114) PA (6-16813)

Standard "O" Three Bay Hoppers Con't

U.P. (6-17110) Reading (6-17111)

SCL (6-17126) W.M. (6-17129)

Passenger Cars

Aluminum Full Vista Dome

Amtrak (6-19105) I.C. (6-19129)

N & W (6-19108) Santa Fe (6-19128)

S.P. (6-19107) T.C.A. (6-52085)

Traditional Line Full Vista Dome Car

Amtrak (6-15107) I. C. (6-16093)

N. H. (6-16084) N.P. (6-15108)

PA (6-16094) Reading (6-15105)

Santa Fe (6-16092)

Single Dome Tank Car with Platform

Domino Sugar (6-16140)

Good Year (6-16138)

Santa Fe (6-16142)

Sunoco (6-16150)

Accessories

Industrial Water Tower (6-12958)

Copyright© 1997
By Lionel
All Rights Reserved

This supplement is designed to fit with two different publications, the *Lionel Service Manual* 1986 to 1997 and *Lionel Parts List and Exploded Diagrams*.

Each page has two numbers. The number for the *Lionel Service Manual* is indicated by parentheses, e.g., (B-72). The number which applies to *Lionel Parts lists and Exploded diagrams* is above the parentheses, e.g., S36:1-1

**INDEX TO
LIONEL PARTS LISTS AND EXPLODED DIAGRAMS
SUPPLEMENT 36**

ALPHABETICAL INDEX

**O AND 027 GAUGES
DIESEL ENGINES**

POWER UNITS

GP-9 Diesel S36:1-1,2,3,4
610-8563-001 New York Central
610-8562-001 Southern Pacific
Motorized Unit S36:1-5,6,7
601-8427-000 Tie-Jector

ROLLING STOCK

Caboose Center Cupola S36:7-1,2
601-6573-000 Chessie
601-6562-000 Reading
601-6559-000 Seaboard
601-6561-000 Union Pacific
610-6569-001 Union Pacific
601-6564-000 Western Maryland

FLATCARS

Flatcars S36:8-1,2
601-6944-000 Georgia Power
601-6332-000 Lionel Lines
601-6967-000 Lionel 6461
601-6341-000 New York Central

**STANDARD "O" THREE BAY
HOPPERS** S36:10-1,2

601-7128-000 C & O
601-7120-000 CSX
601-7127-000 D & H
601-7121-000 Illinois Central
605-2038-000 L.C.C.A
601-7113-000 Lehigh Valley
601-7114-000 Peabody
601-6813-000 Pennsylvania

**STANDARD "O" THREE BAY HOPPERS
CON'T**

601-7110-000 Union Pacific
601-7111-000 Reading
601-7126-000 SCL
601-7129-000 Western Maryland

PASSENGER CARS

Aluminum Full Vista Dome S36:12-1,2,3,4,5,6
601-9105-000 Amtrak
601-9129-000 Illinois Central
601-9108-000 Norfolk & Western
601-9128-000 Santa Fe
601-9107-000 Southern Pacific
605-2085-000 T.C.A.
Traditional Line Full Vista Dome S36:12-7,8
601-5107-000 Amtrak
601-6093-000 Illinois Central
601-6084-000 New Haven
601-5108-000 Northern Pacific
601-6094-000 Pennsylvania
601-5105-000 Reading
601-6092-000 Santa Fe

**SINGLE DOME TANK CAR
WITH PLATFORM**

601-6140-000 Domino Sugar
601-6138-000 Good Year
601-6142-000 Santa Fe
601-6150-000 Sunoco

S36:13-1,2

ACCESSORIES

Water Tower S36:14-1
601-2958-000 Industrial

NUMERICAL LISTINGS

601-2958-000	S36:14-1	601-6944-000	S36: 8-1,2
601-5105-000	S36:12-7,8	601-6967-000	S36: 8-1,2
601-5107-000	S36:12-7,8	601-7110-000	S36:10-1,2
601-5108-000	S36:12-7,8	601-7111-000	S36:10-1,2
601-6084-000	S36:12-7,8	601-7113-000	S36:10-1,2
601-6092-000	S36:12-7,8	601-7114-000	S36:10-1,2
601-6093-000	S36:12-7,8	601-7120-000	S36:10-1,2
601-6094-000	S36:12-7,8	601-7121-000	S36:10-1,2
601-6138-000	S36:13-1,2	601-7126-000	S36:10-1,2
601-6140-000	S36:13-1,2	601-7127-000	S36:10-1,2
601-6142-000	S36:13-1,2	601-7128-000	S36:10-1,2
601-6150-000	S36:13-1,2	601-7129-000	S36:10-1,2
601-6332-000	S36: 8-1,2	601-8427-000	S36:1-5,6,7
601-6341-000	S36: 8-1,2	601-9105-000	S36:12-1,3,5
601-6559-000	S36: 7-1,2	601-9107-000	S36:12-1,3,5
601-6561-000	S36: 7-1,2	601-9108-000	S36:12-1,4,5
601-6562-000	S36: 7-1,2	601-9128-000	S36:12-1,4,5
601-6564-000	S36: 7-1,2	601-9129-000	S36:12-1,5
601-6569-000	S36: 7-1,2	605-2038-000	S36:10-1,2
601-6573-000	S36: 7-1,2	605-2085-000	S36:12-2,6
601-6813-000	S36:10-1,2	610-8562-001	S36:1-1,2,3,4
		610-8563-001	S36:1-1,2,3,4

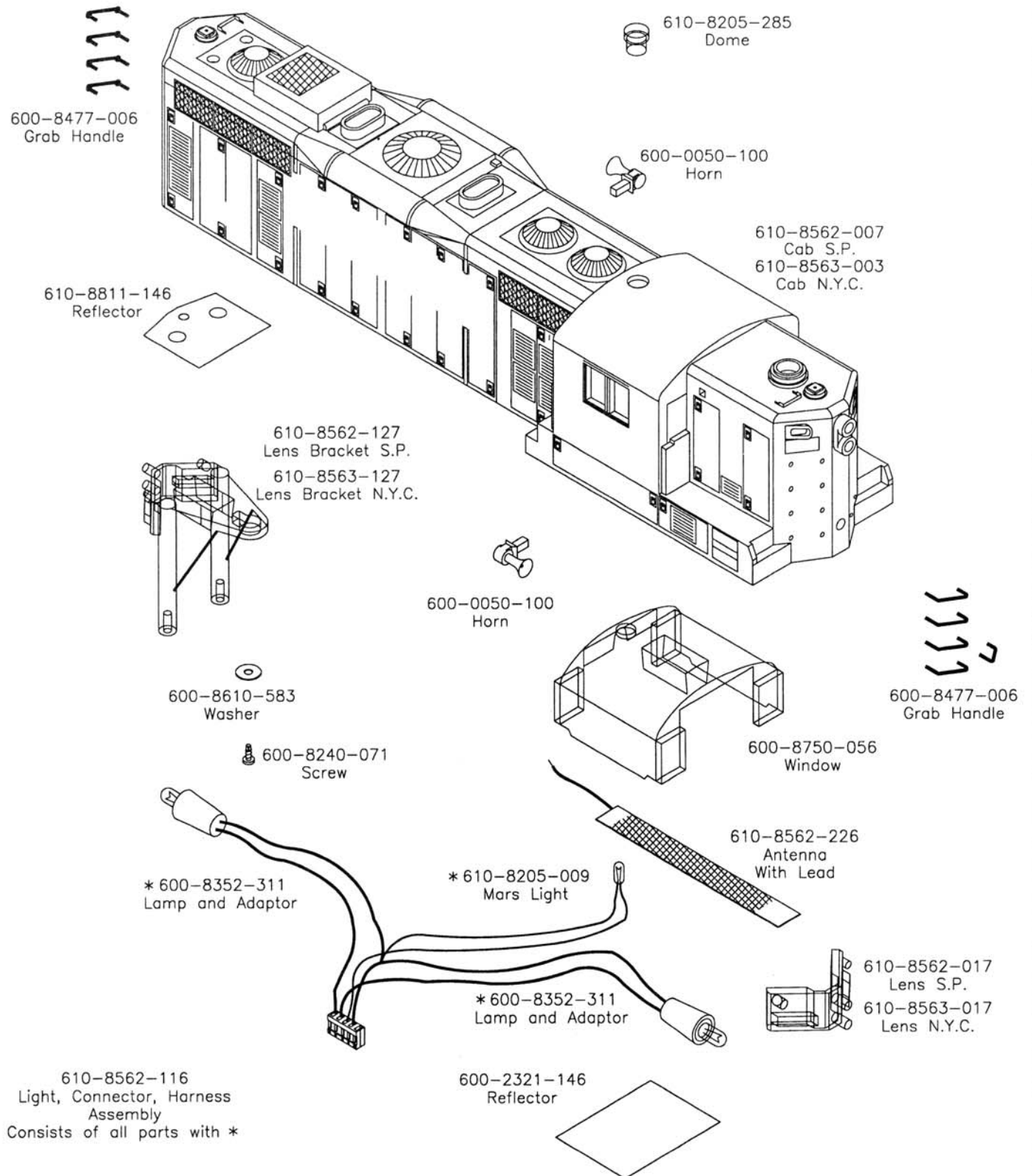
LIONEL SERVICE MANUAL

INDEX BY LETTER

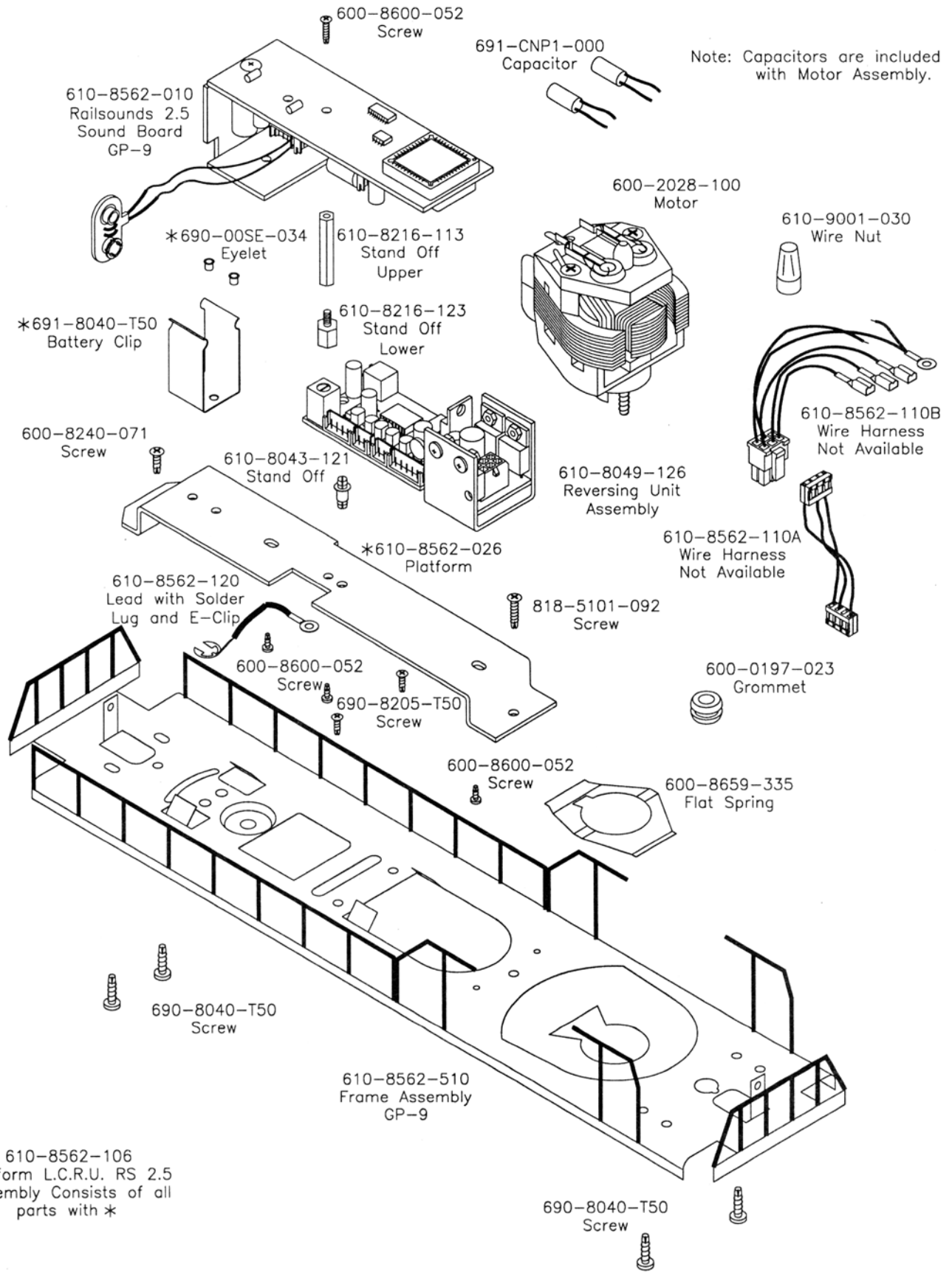
SUPPLEMENT 36

Description	Drawing
Diesel Locomotives Power Units	
GP-9 Locomotive.....	(B-72),(B-72-2,3,4)
610 8562 001 Southern Pacific	
610-8563-001 New York Central	
Motorized Unit	
Tie-Jector.....	(B-73),(B-73-2,3)
601-8427-000	
Rolling Stock	
Center Cupola Caboose.....	(F-155),(F-155-2)
601-6559-000 Seaboard	601-6564-000 Western Maryland
601-6561-000 Union Pacific	601-6573-000 Chessie
601-6562-000 Reading	610-6569-001 Union Pacific
Depressed Center Flat car with Transformer.....	(F-156),(F-156-2)
601-6332-000 Lionel Lines	601-6944-000 Georgia Power
601-6341-000 New York Central	601-6967-000 Lionel 6461
Standard "O" Three Bay Hoppers with Coal.....	(F-157),(F-157-2)
601-6813-000 Pennsylvania LOTS	
601-7110-000 Union Pacific	601-7126-000 SCL
601-7111-000 Reading	601-7127-000 D & H
601-7113-000 Lehigh Valley	601-7128-000 C & O
601-7114-000 Peabody	601-7129-000 Western Maryland
601-7120-000 CSX	605-2038-000 L.C.C.A
601-7121-000 I.C.	
Aluminum Passenger Cars	
Full Vista Dome windows.....	(F-158),(F-158-2,3,4,5,6)
601-9105-000 Amtrak	601-9128-000 Santa Fe
601-9107-000 Southern Pacific	601-9129-000 Illinois Central
601-9108-000 N & W	605-2085-000 T.C.A.
Traditional Line	
Streamlined Full Vista Dome Window.....	(F-159),(F-159-2)
601-5105-000 Reading	601-6092-000 Santa Fe
601-5107-000 Amtrak	601-6093-000 Illinois Central
601-5108-000 Northern Pacific	601-6094-000 Pennsylvania
601-6084-000 New Haven	
Single Dome Tank Car with Platform.....	
601-6138-000 Good Year	601-6142-000 Santa Fe
601-6140-000 Domino Sugar	601-6150-000 Sunoco
Accessories	
Industrial Water Tower	(I-66)
601-2958-000 Lionel	

GP-9 DIESEL LOCOMOTIVE
 610-8562-001 Southern Pacific
 610-8563-001 New York Central



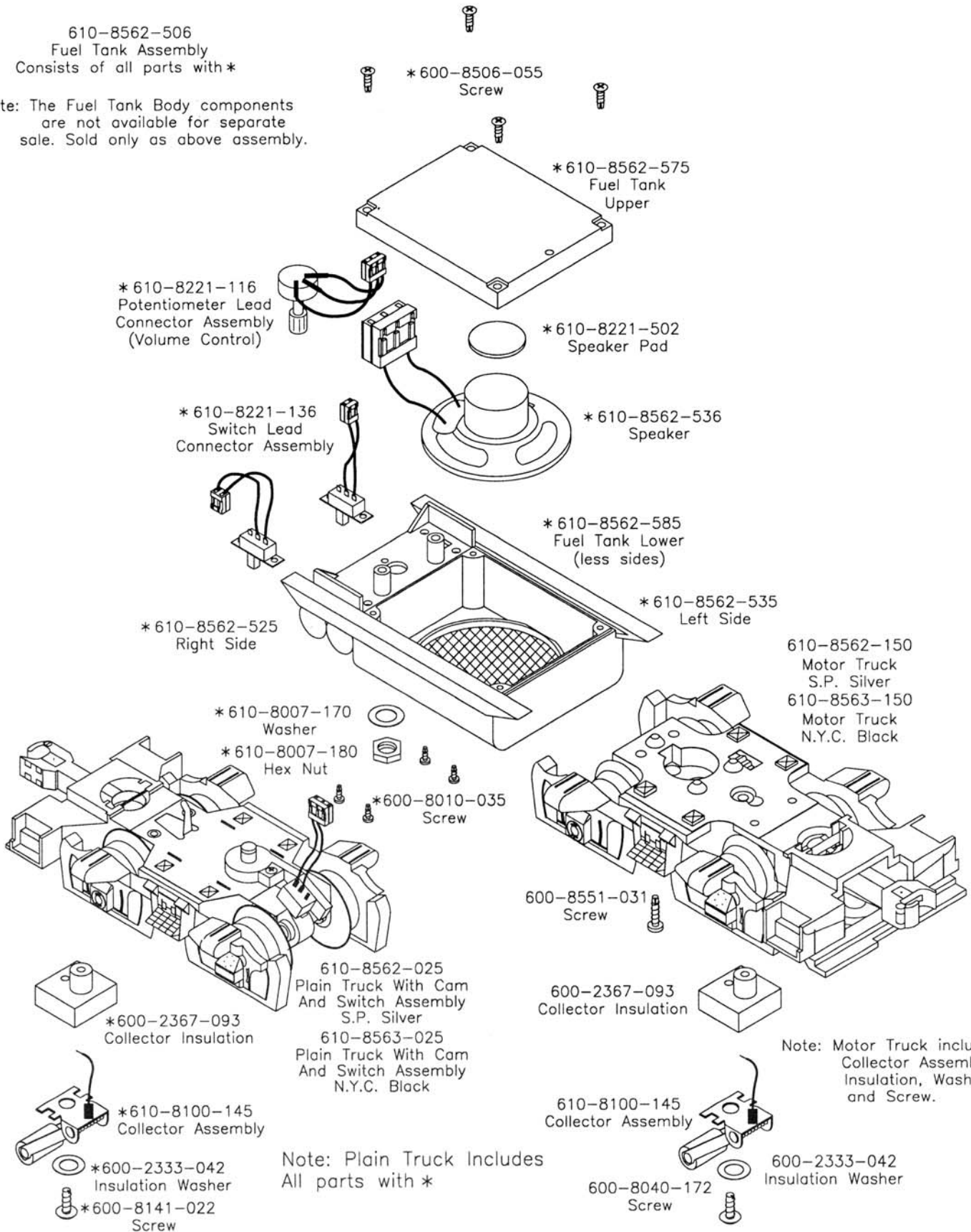
GP-9 DIESEL LOCOMOTIVE
 610-8562-001 Southern Pacific
 610-8563-001 New York Central



GP-9 DIESEL LOCOMOTIVE
 610-8562-001 Southern Pacific
 610-8563-001 New York Central

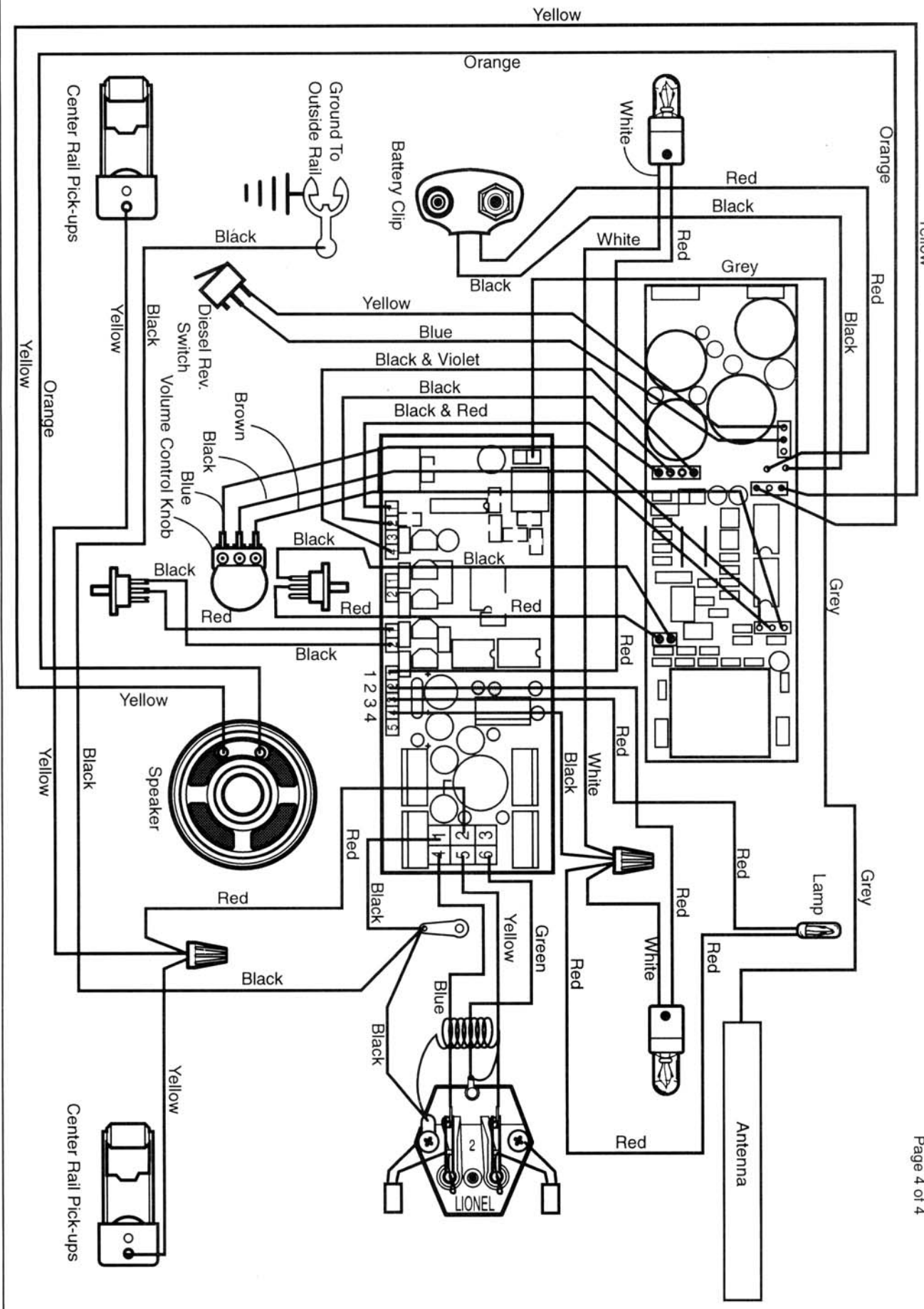
610-8562-506
 Fuel Tank Assembly
 Consists of all parts with *

Note: The Fuel Tank Body components
 are not available for separate
 sale. Sold only as above assembly.

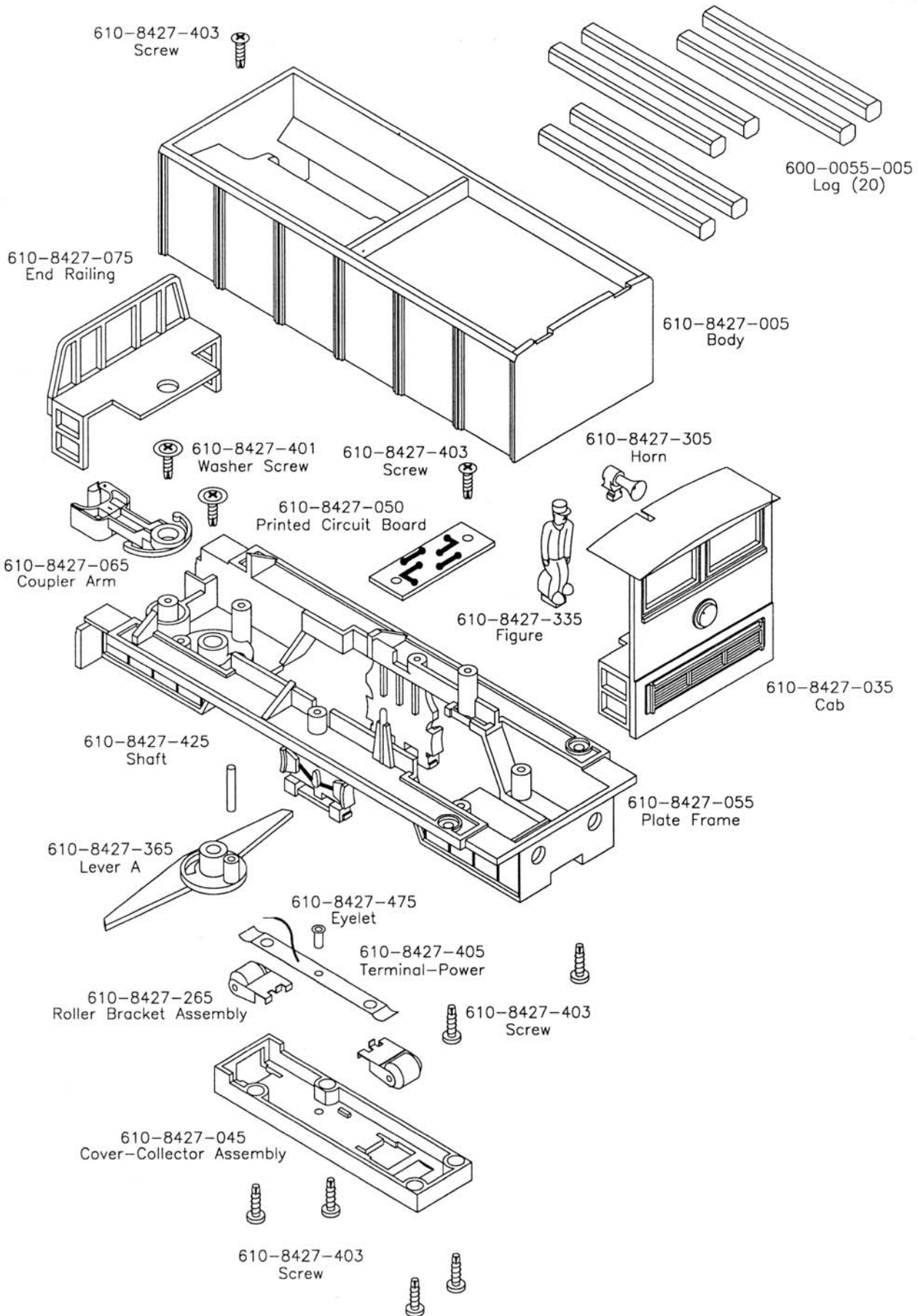


601-8562-001 SOUTHERN PACIFIC AND 610-8563-001 NEW YORK CENTRAL
 GP-9DIESEL LOCOMOTIVE WIRING SCHEMATIC

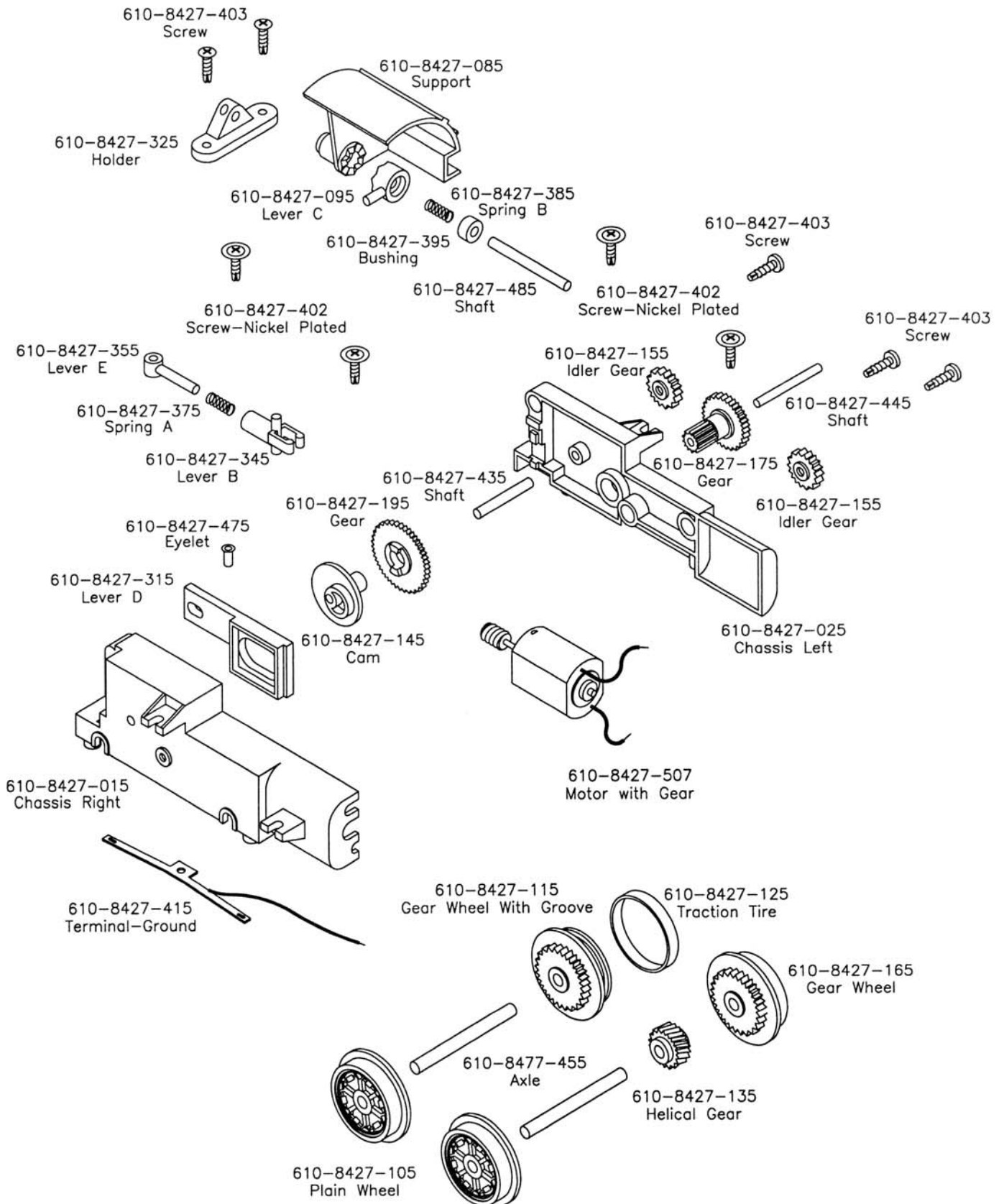
Page 4 of 4



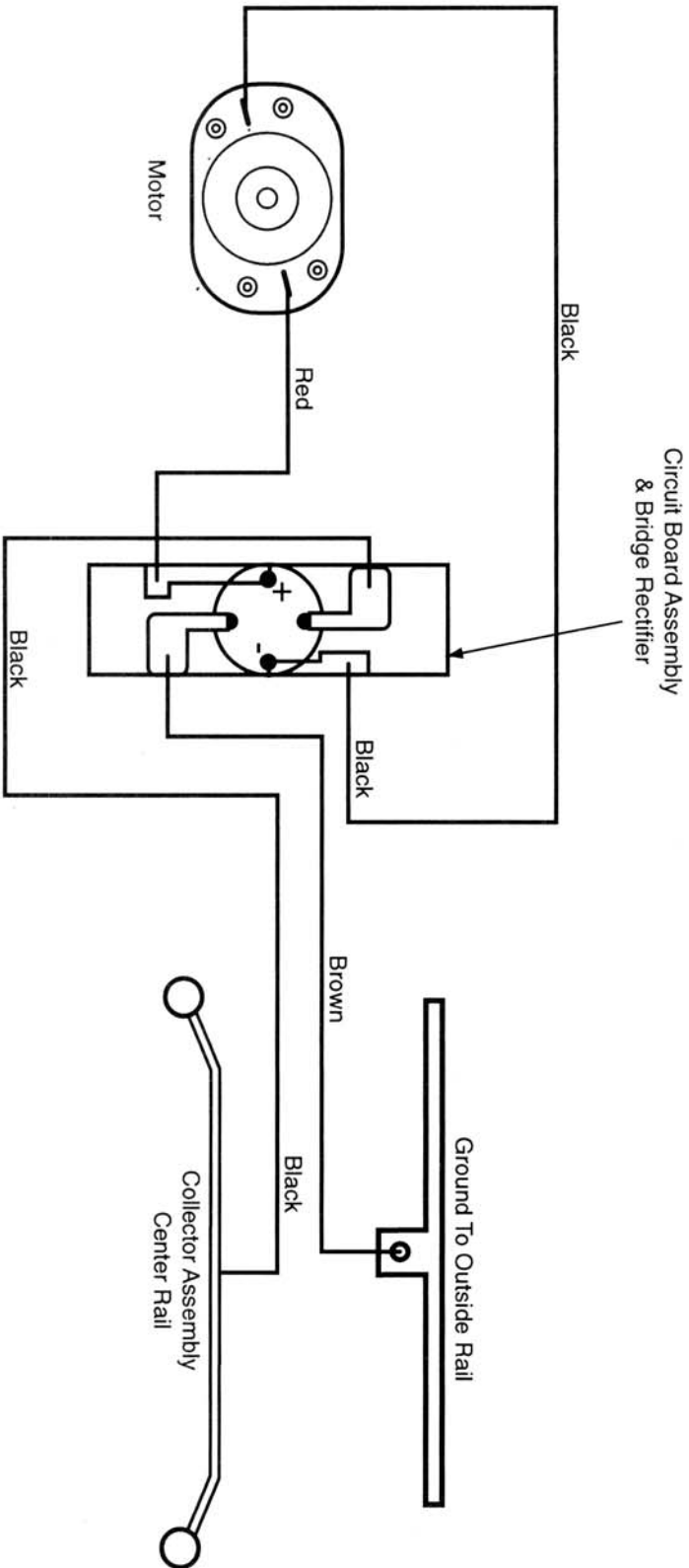
601-8427-000 Tie-Jector



601-8427-000 Tie-Jector

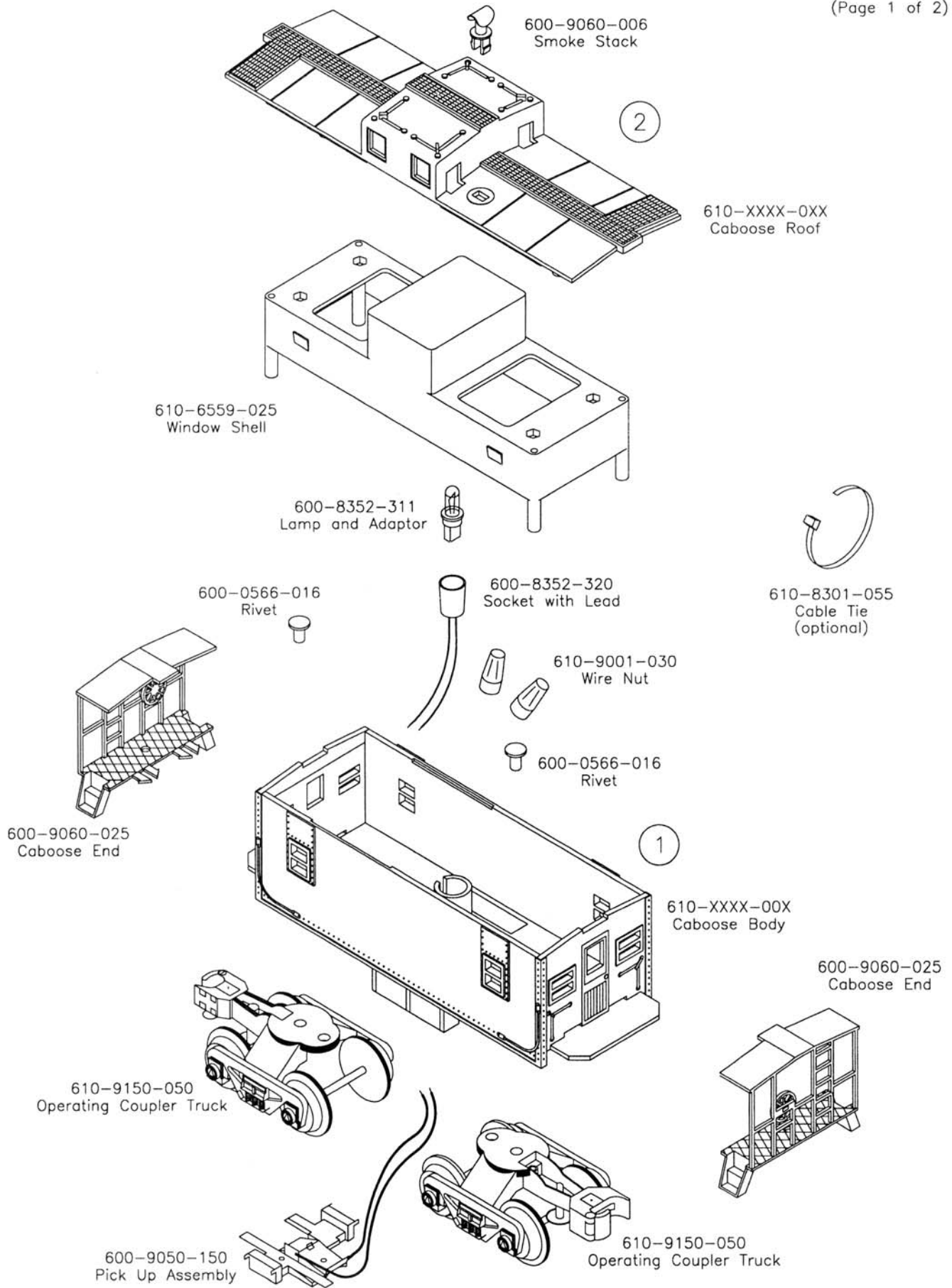


601-8427-000 TIE JECTOR CAR WIRING SCHEMATIC



Note: Color of wires may vary. You must trace all wires to verify connections.

CENTER CUPOLA CABOOSE



CENTER CUPOLA CABOOSE

6-16559 SEABOARD
6-16561 UNION PACIFIC

6-16562 READING
6-16564 W.M.

6-16573 CHESSIE
610-6569-001 U.P.

UNIQUE COMPONENTS

PART NUMBER												DESCRIPTION	QTY	REF #
6	1	0	-	6	5	5	9	-	0	0	3	Caboose Body Seaboard	1	1
6	1	0	-	6	5	5	9	-	0	1	4	Caboose Roof Seaboard	1	2
6	1	0	-	6	5	6	1	-	0	0	7	Caboose Body Union Pacific	1	1
6	1	0	-	6	5	6	1	-	0	1	4	Caboose Roof Union Pacific	1	2
6	1	0	-	6	5	6	2	-	0	0	7	Caboose Body Reading	1	1
6	1	0	-	6	5	6	2	-	0	1	4	Caboose Roof Reading	1	2
6	1	0	-	6	5	6	4	-	0	0	7	Caboose Body Western Maryland	1	1
6	1	0	-	6	5	6	4	-	0	1	4	Caboose Roof Western Maryland	1	2
6	1	0	-	6	5	7	3	-	0	0	3	Caboose Body Chessie	1	1
6	1	0	-	6	5	7	3	-	0	1	4	Caboose Roof Chessie	1	2
6	1	0	-	6	5	6	9	-	0	0	7	Caboose Body Union Pacific	1	1
6	1	0	-	6	5	6	9	-	0	1	4	Caboose Roof Union Pacific	1	2

COMMON COMPONENTS

PART NUMBER												DESCRIPTION	QTY	REF #
6	0	0	-	0	5	6	6	-	0	1	6	Rivets truck mounting	2	
6	0	0	-	8	3	5	2	-	3	1	1	Lamp & adaptor	1	
6	0	0	-	8	3	5	2	-	3	2	0	Socket with lead	1	
6	0	0	-	9	0	5	0	-	1	5	0	Pick up assy	1	
6	0	0	-	9	0	6	0	-	0	0	6	Smoke stack	1	
6	0	0	-	9	0	6	0	-	0	2	5	Caboose end	2	
6	1	0	-	6	5	5	9	-	0	2	5	Window shell	1	
6	1	0	-	9	1	5	0	-	0	5	0	Operating coupler truck	2	

DEPRESSED CENTER FLATCAR WITH TRANSFORMER

610-6967-025
Insulator Long



610-6967-035
Insulator Short



610-6967-025
Insulator Long



600-0566-016
Rivet



600-9805-035
Screw

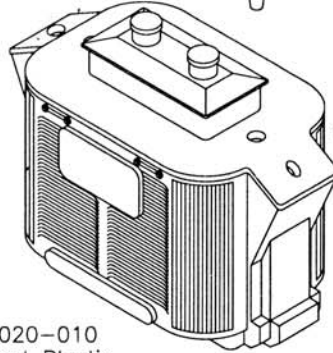


690-00SE-054
Eyelet



610-6967-035
Insulator Short

②
610-XXXX-011
Transformer Body Assembly



610-1600-061
Brakewheel and Stand
Assembly consists of:
610-1600-019 Brakewheel Metal
and 600-9233-009 Brakestand



600-9020-010
Brakewheel Plastic

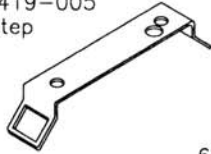
600-0566-016
Rivet

600-9805-035
Screw

690-00SE-054
Eyelet

610-1600-061
Brakewheel and
Stand Assembly

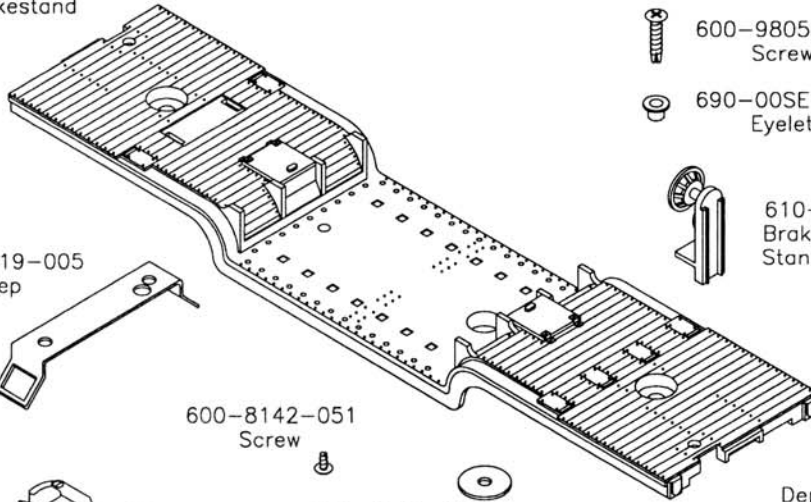
600-2419-005
Step



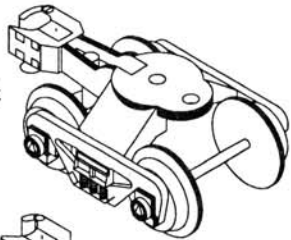
600-8142-051
Screw



①
610-XXXX-007
Depressed Flatcar Body



610-9150-050
Operating Coupler Truck



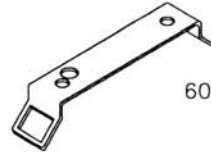
610-6000-022
Washer



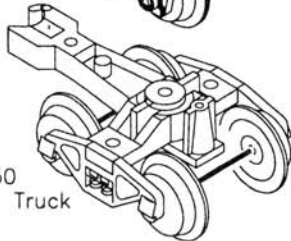
600-8600-049
Screw



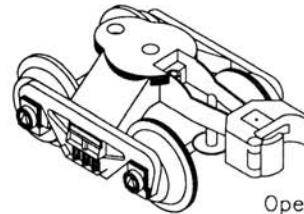
600-2419-005
Step



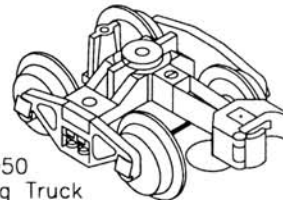
600-9550-050
Die Cast Operating Truck



610-9150-050
Operating Coupler Truck



600-9550-050
Die Cast Operating Truck



DEPRESSED CENTER FLATCAR WITH TRANSFORMER

6-16332 LIONEL LINES
6-16341 NEW YORK CENTRAL

6-16944 GEORGIA POWER
6-16967 LIONEL 6461

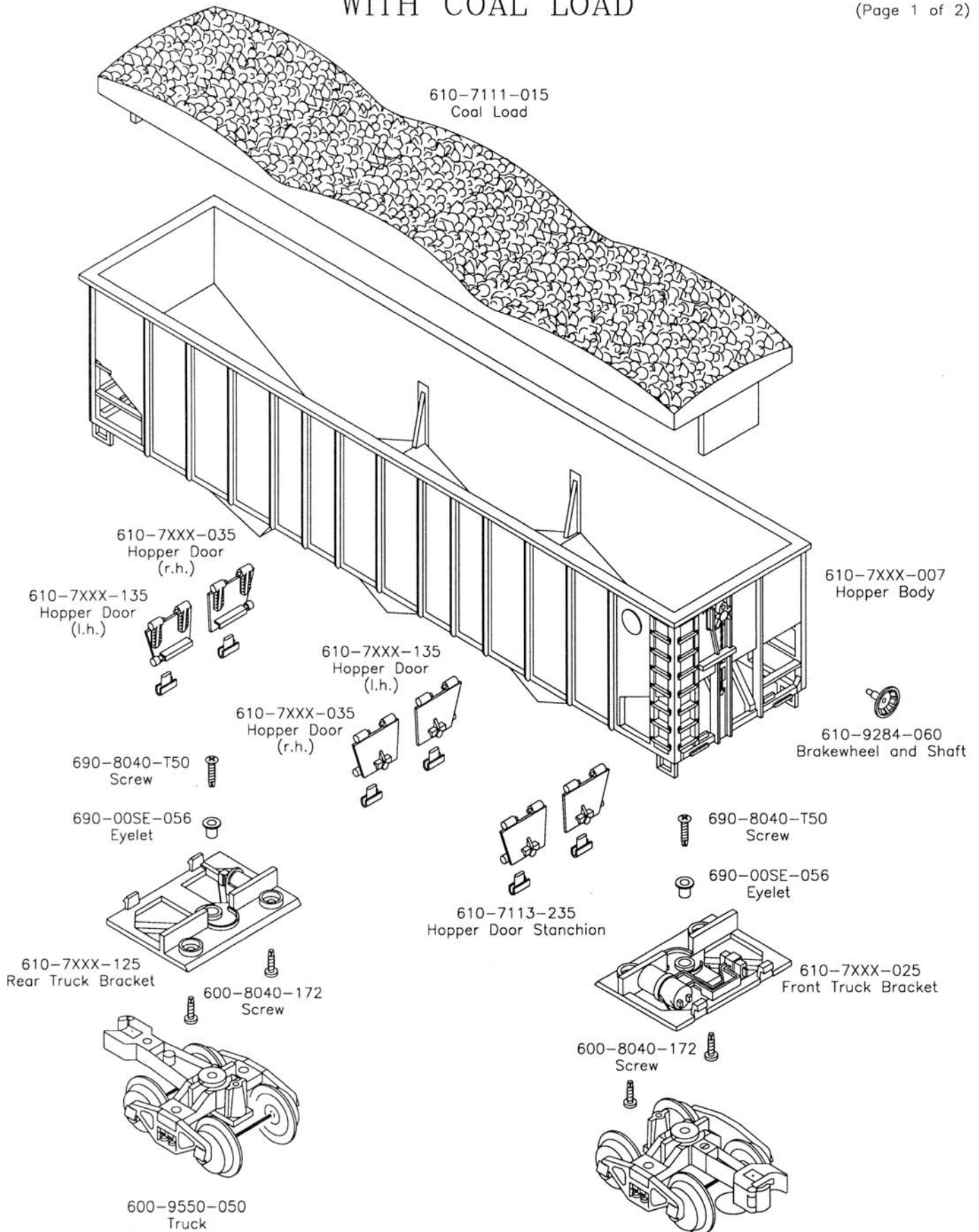
UNIQUE COMPONENTS

PART NUMBER											DESCRIPTION	QTY	REF #	
6	1	0	-	6	3	3	2	-	0	0	7	Flatcar body Lionel lines	1	1
6	1	0	-	6	3	3	2	-	0	1	1	Transformer assy Grey	1	2
6	1	0	-	6	3	4	1	-	0	0	7	Flatcar body New York Central	1	1
6	1	0	-	6	3	4	1	-	0	1	1	Transformer assy Grey	1	2
6	1	0	-	6	9	4	4	-	0	0	7	Flatcar body Georgia Power	1	1
6	1	0	-	6	9	4	4	-	0	1	1	Transformer assy Green	1	2
6	1	0	-	6	9	6	7	-	0	0	7	Flatcar body Lionel 6461	1	1
6	1	0	-	6	9	6	7	-	0	1	1	Transformer assy Red	1	2

COMMON COMPONENTS

PART NUMBER											DESCRIPTION	QTY	REF #	
6	0	0	-	0	5	6	6	-	0	1	6	Rivet for plastic trucks	2	
6	0	0	-	2	4	1	9	-	0	0	5	Step	2	
6	0	0	-	8	1	4	2	-	0	5	1	Screw	1	
6	0	0	-	8	6	0	0	-	0	4	9	Screw	1	
6	0	0	-	9	0	2	0	-	0	1	0	Brake wheel plastic	2	
6	0	0	-	9	2	3	3	-	0	0	9	Brake stand	2	
6	0	0	-	9	5	5	0	-	0	5	0	Die cast sprung trucks	2	
6	0	0	-	9	8	0	5	-	0	3	5	Screw	2	
6	1	0	-	6	0	0	0	-	0	2	2	Washer	1	
6	1	0	-	1	6	0	0	-	0	6	1	Brake wheel & stand assy	2	
6	1	0	-	9	1	5	0	-	0	5	0	Operating coupler truck plastic	2	
6	9	0	-	0	0	S	E	-	0	5	4	Eyelet	2	

STANDARD "O" THREE BAY HOPPERS WITH COAL LOAD



STANDARD "O" THREE BAY HOPPERS WITH COAL LOADS

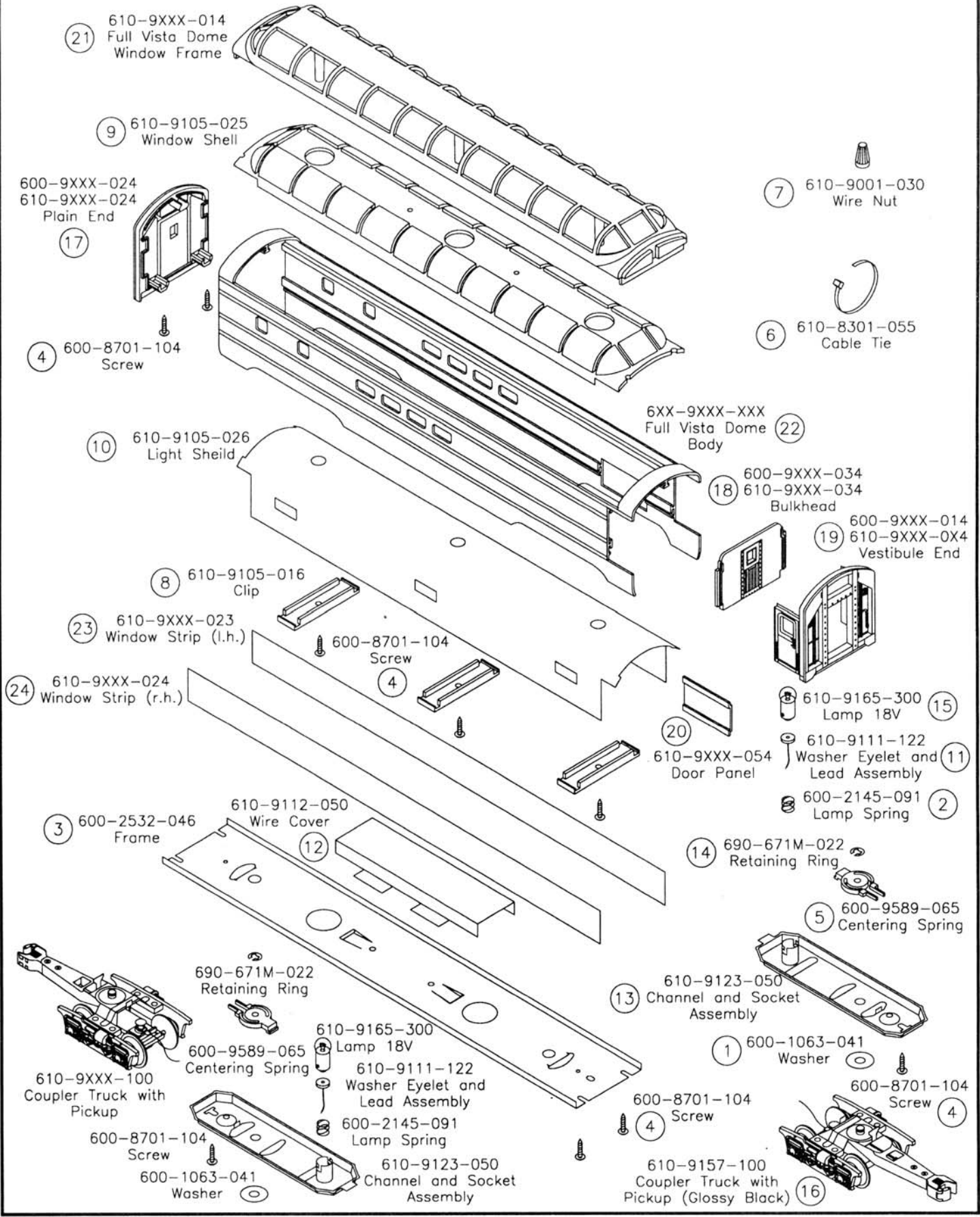
PART NUMBER											RAILROAD NAME			
6	0	1	-	6	8	1	3	-	0	0	0	Pennsylvania Lots		
6	0	1	-	7	1	1	0	-	0	0	0	Union Pacific		
6	0	1	-	7	1	1	1	-	0	0	0	Reading		
6	0	1	-	7	1	1	3	-	0	0	0	Lehigh Valley		
6	0	1	-	7	1	1	4	-	0	0	0	Peabody		
6	0	1	-	7	1	2	0	-	0	0	0	CSX		
6	0	1	-	7	1	2	1	-	0	0	0	Illinois Central		
6	0	1	-	7	1	2	6	-	0	0	0	SCL		
6	0	1	-	7	1	2	7	-	0	0	0	D & H		
6	0	1	-	7	1	2	8	-	0	0	0	C & O		
6	0	1	-	7	1	2	9	-	0	0	0	Western Maryland		
6	0	5	-	2	0	3	8	-	0	0	0	L.C.C.A		

DECORATED & PAINTED PARTS

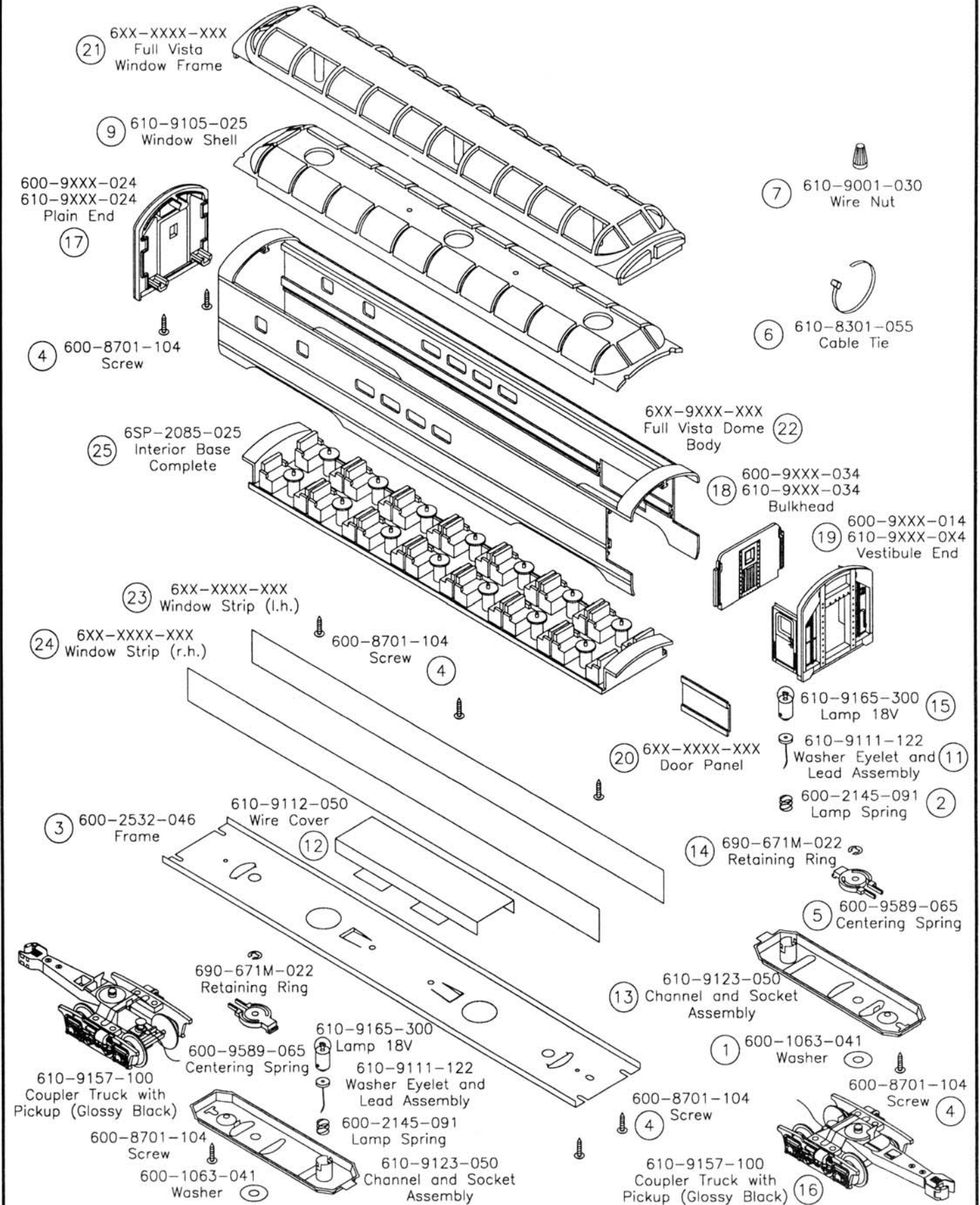
PART NUMBER											DESCRIPTION	QTY	REF #	
6	1	0	-	7	x	x	x	-	0	0	7	Hopper body	1	
6	1	0	-	7	x	x	x	-	0	3	5	Hopper door R.H.	3	
6	1	0	-	7	x	x	x	-	1	3	5	Hopper door L.H.	3	
6	1	0	-	7	x	x	x	-	0	2	5	Front truck bracket	1	
6	1	0	-	7	x	x	x	-	1	2	5	Rear truck bracket	1	

NOTE: To order the above parts, which also appear on drawing. Fill in the X's with one of the product numbers listed above. Example: If you wish to order doors for a 601-7121-000 Illinois Central the complete part number is as follows: 610-7121-035 R.H. Hopper door and 610-7121-135 L.H. Hopper door.

ALUMINUM PASSENGER CAR FULL VISTA DOME WINDOW



ALUMINUM PASSENGER CAR FULL VISTA DOME WINDOW WITH INTERIOR



601-9105-000 AMTRAK FULL VISTA DOME

UNIQUE COMPONENTS

PART NUMBER												DESCRIPTION	QTY	REF #
6	0	0	-	0	0	5	7	-	3	0	0	Lamp	2	15
6	0	0	-	9	5	7	0	-	0	2	4	Plain End	1	17
6	0	0	-	9	5	7	1	-	0	1	4	Vestibule	1	19
6	0	0	-	9	5	7	1	-	0	3	1	Channel **	2	S26:12-3
6	0	0	-	9	5	7	1	-	0	3	4	Bulkhead	1	18
6	1	0	-	9	1	0	2	-	1	0	0	Coupler truck with pick-up **	2	16
6	1	0	-	9	1	0	5	-	0	0	7	Full vista dome Body	1	22
6	1	0	-	9	1	0	5	-	0	1	0	Number plaque	2	none
6	1	0	-	9	1	0	5	-	0	2	3	Window Strip R.H.	1	23
6	1	0	-	9	1	0	5	-	0	2	4	Window Strip L.H.	1	24
6	1	0	-	9	1	0	5	-	0	4	4	Full vista dome window	1	21
6	1	0	-	9	1	0	5	-	0	5	4	Door panel	1	20
6	1	0	-	9	1	1	3	-	0	3	5	Socket bracket assy	1	S26:12-3
6	1	0	-	9	1	1	8	-	1	0	0	Coupler truck with pick-up**	2	16

** Alternate Components

NOTE: S26:12-3 Refers to supplement 26 page 12-3 drawing G.N. Vista Dome

601-9107-000 SOUTHERN PACIFIC FULL VISTA DOME

UNIQUE COMPONENTS

PART NUMBER												DESCRIPTION	QTY	REF #
6	0	0	-	0	0	5	7	-	3	0	0	Lamp	2	15
6	0	0	-	9	5	6	4	-	0	4	5	Spacer clear for plaque	2	none
6	0	0	-	9	5	7	0	-	0	2	4	Plain end	1	17
6	0	0	-	9	5	7	1	-	0	1	4	Vestibule end	1	19
6	0	0	-	9	5	7	1	-	0	3	1	Channel	2	S26:12-3
6	0	0	-	9	5	7	1	-	0	3	4	Bulkhead	1	18
6	0	0	-	9	5	8	9	-	0	1	0	Nameplate	2	none
6	1	0	-	9	1	0	5	-	0	2	3	Window strip R.H.	1	23
6	1	0	-	9	1	0	5	-	0	2	4	Window strip L.H.	1	24
6	1	0	-	9	1	0	5	-	0	5	4	Door panel	1	20
6	1	0	-	9	1	0	7	-	0	0	6	Full vista dome body S.P.	1	22
6	1	0	-	9	1	0	7	-	0	4	4	Full Vista dome window	1	21
6	1	0	-	9	1	0	7	-	1	0	0	Coupler truck with pick-up **	2	16
6	1	0	-	9	1	1	3	-	0	3	5	Socket & bracket assy	2	S26:12-3
6	1	0	-	9	1	1	8	-	1	0	0	Coupler truck with pick-up **	2	16

** Alternate Components

S36:12-3
(F-158-3)

601-9108-000 NORFOLK & WESTERN FULL VISTA DOME

UNIQUE COMPONENTS

PART NUMBER											DESCRIPTION	QTY	REF #	
6	0	0	-	0	0	5	7	-	3	0	0	Lamp	2	15
6	0	0	-	9	5	6	2	-	0	2	4	Plain end	1	17
6	0	0	-	9	5	6	4	-	0	1	4	Vestibule end	1	19
6	0	0	-	9	5	6	4	-	0	3	4	Bulkhead	1	18
6	0	0	-	9	5	6	4	-	0	4	5	Spacer	2	none
6	0	0	-	9	5	7	1	-	0	3	1	Channel **	2	S26:12-3
6	1	0	-	9	1	0	7	-	1	0	0	Coupler truck with pick-up **	2	16
6	1	0	-	9	1	0	8	-	0	0	6	N & W Vista dome body	1	22
6	1	0	-	9	1	0	8	-	0	4	4	Full vista dome window	1	21
6	1	0	-	9	1	0	8	-	0	5	4	Door panel	1	20
6	1	0	-	9	1	0	8	-	0	2	3	Window strip R.H.	1	23
6	1	0	-	9	1	0	8	-	0	2	4	Window strip L.H.	1	24
6	1	0	-	9	1	0	8	-	0	1	0	Nameplate (Monte Santo)	2	none
6	1	0	-	9	1	1	3	-	0	3	5	Socket & Bracket assy	2	S26:12-3
6	1	0	-	9	1	1	8	-	1	0	0	Coupler truck with pick-up **		

** Alternate Components

601-9128-000 SANTA FE FULL VISTA DOME

UNIQUE COMPONENTS

PART NUMBER											DESCRIPTION	QTY	REF #	
6	0	0	-	0	3	6	3	-	3	0	0	Lamp 14 volt	2	15
6	0	0	-	9	5	7	0	-	0	2	4	Plain end (silver)	1	17
6	0	0	-	9	5	7	1	-	0	1	4	Vestibule end	1	19
6	0	0	-	9	5	7	1	-	0	3	4	Bulkhead	1	18
6	1	0	-	9	1	0	5	-	0	4	4	Full vista dome window	1	21
6	1	0	-	9	1	0	5	-	0	5	4	Door panel	1	20
6	1	0	-	9	1	0	8	-	0	2	3	Window strip R.H.	1	23
6	1	0	-	9	1	0	8	-	0	2	4	Window strip L.H.	1	24
6	1	0	-	9	1	0	9	-	0	2	0	Nameplate (Santa-Fe)	2	none
6	1	0	-	9	1	2	8	-	0	3	0	Number plaque	2	none
6	1	0	-	9	1	1	0	-	1	0	0	Coupler truck with pick-up **	2	16
6	1	0	-	9	1	2	8	-	0	5	5	Full vista dome body	1	22
6	1	0	-	9	1	6	1	-	1	0	0	Coupler truck with pick-up **	2	16

** Alternate Components

Note: S26:12-3 Refers to supplement 26 page 12-3 Drawing G.N. Vista Dome

S36:12-4
(F-158-4)

601-9129-000 ILLINOIS CENTRAL FULL VISTA DOME

UNIQUE COMPONENTS

PART NUMBER												DESCRIPTION	QTY	REF #
6	0	0	-	0	3	6	3	-	3	0	0	Lamp 14 volt	2	15
6	0	0	-	0	4	9	2	-	0	0	1	Coupler truck with pick-up **	2	16
6	1	0	-	9	1	0	8	-	0	2	3	Window Strip L.H.	1	23
6	1	0	-	9	1	0	8	-	0	2	4	Window Strip R.H.	1	24
6	1	0	-	9	1	2	9	-	0	1	0	Full vista dome body I.C.	1	22
6	1	0	-	9	1	2	9	-	0	1	4	Full vista dome window I.C.	1	21
6	1	0	-	9	1	2	9	-	0	2	4	Plain end	1	17
6	1	0	-	9	1	2	9	-	0	3	4	Bulkhead	1	18
6	1	0	-	9	1	2	9	-	0	4	4	Vestibule end	1	19
6	1	0	-	9	1	2	9	-	0	5	4	Door panel	1	20
6	1	0	-	9	1	1	8	-	1	0	0	Coupler truck with pick-up **	2	16

COMMON COMPONENTS: For all Full Vista Dome Cars without Interior

PART NUMBER												DESCRIPTION	QTY	REF #
6	0	0	-	1	0	6	3	-	0	4	1	Washer	2	1
6	0	0	-	2	1	4	5	-	0	9	1	Lamp spring	2	2
6	0	0	-	2	5	3	2	-	0	4	6	Frame	1	3
6	0	0	-	8	7	0	1	-	1	0	4	Screw	9	4
6	0	0	-	9	5	8	9	-	0	6	5	Centering spring	2	5
6	1	0	-	8	3	0	1	-	0	5	5	Cable tie	1	6
6	1	0	-	9	0	0	1	-	0	3	0	Wire nut	1	7
6	1	0	-	9	1	0	5	-	0	1	6	Clip	3	8
6	1	0	-	9	1	0	5	-	0	2	5	Window shell	1	9
6	1	0	-	9	1	0	5	-	0	2	6	Light shield	1	10
6	1	0	-	9	1	1	1	-	1	2	2	Washer eyelet & lead assy	2	11
6	1	0	-	9	1	1	2	-	0	5	0	Wire cover	1	12
6	1	0	-	9	1	2	3	-	0	5	0	Channel & socket assy	2	13
6	9	0	-	6	7	1	m	-	0	2	2	Retaining clip	2	14

**ALTERNATE COMPONENTS

605-2085-000 TCA FULL VISTA DOME WITH INTERIOR

UNIQUE COMPONENTS

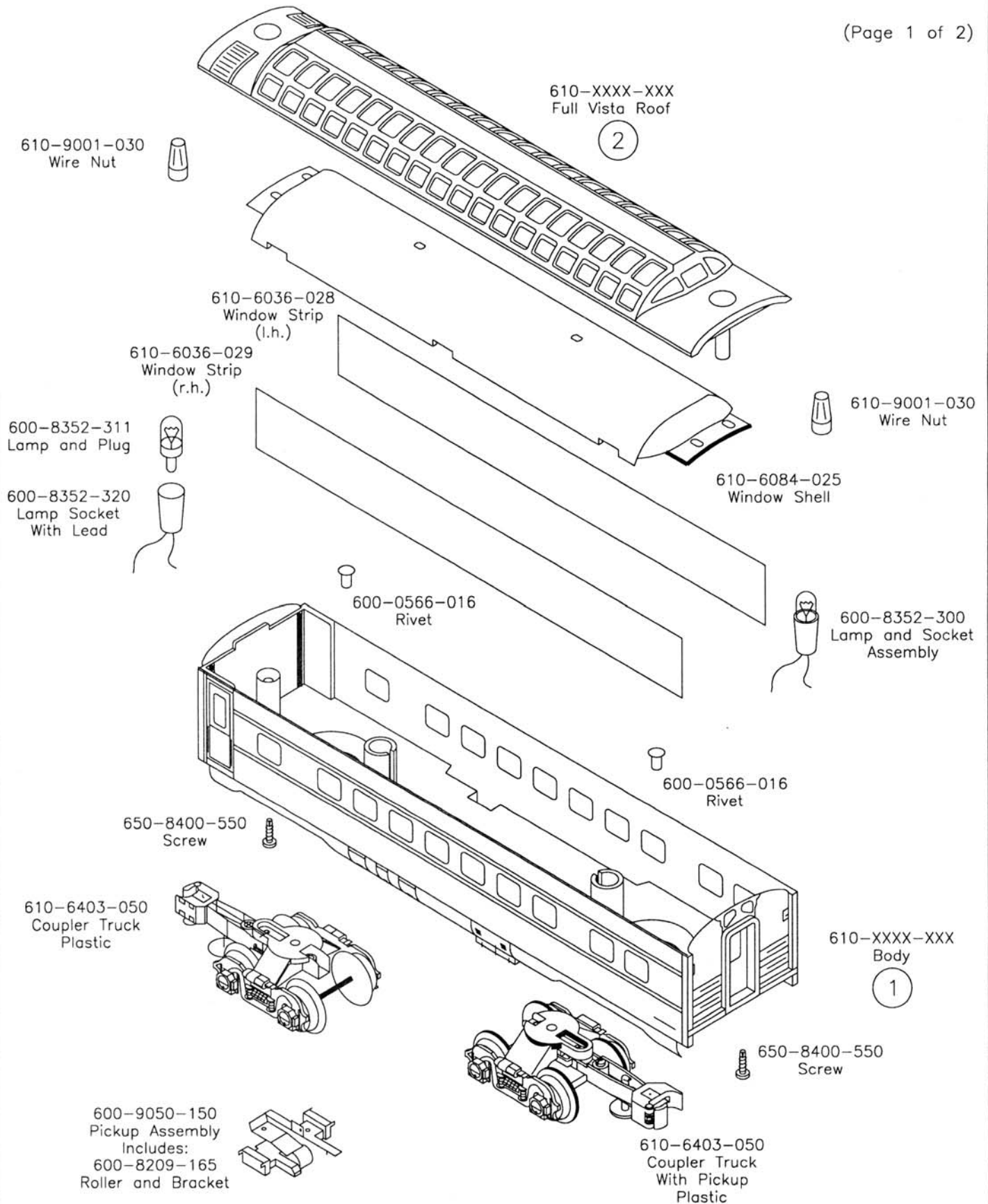
PART NUMBER												DESCRIPTION	QTY	REF #
6	S	P	-	2	0	8	5	-	0	0	7	TCA full vista dome body	1	22
6	S	P	-	2	0	8	5	-	0	2	3	Window strip L.H.	1	23
6	S	P	-	2	0	8	5	-	0	2	4	Window strip R.H.	1	24
6	S	P	-	2	0	8	5	-	0	2	5	Interior base complete	1	25
6	S	P	-	2	0	8	5	-	0	4	4	Full vista window frame	1	21
6	S	P	-	2	0	8	5	-	0	5	4	Door panel	1	20

COMMON COMPONENTS: For all Full Vista Dome Cars with Interior

PART NUMBER												DESCRIPTION	QTY	REF #
6	0	0	-	1	0	6	3	-	0	4	1	Washer	2	1
6	0	0	-	2	1	4	5	-	0	9	1	Lamp spring	2	2
6	0	0	-	2	5	3	2	-	0	4	6	Frame	1	3
6	0	0	-	8	7	0	1	-	1	0	4	Screw	9	4
6	0	0	-	9	5	8	9	-	0	6	5	Centering spring	2	5
6	1	0	-	8	3	0	1	-	0	5	5	Cable tie	1	6
6	1	0	-	9	0	0	1	-	0	3	0	Wire nut	1	7
6	1	0	-	9	1	0	5	-	0	2	5	Window shell	1	9
6	1	0	-	9	1	1	1	-	1	2	2	Washer eyelet & lead assy	2	11
6	1	0	-	9	1	1	2	-	0	5	0	Wire cover	1	12
6	1	0	-	9	1	2	3	-	0	5	0	Channel & socket assy	2	13
6	9	0	-	6	7	1	M	-	0	2	2	Retaining clip	2	14

TRADITIONAL LINE STREAMLINED FULL VISTA DOME CAR

(Page 1 of 2)



TRADITIONAL LINE FULL VISTA DOME CAR

6-15105 READING
6-15107 AMTRAK
6-15108 N.P.

6-16084 NEW HAVEN
6-16092 SANTA FE
6-16093 I.C.

6-16094 PENN

UNIQUE COMPONENTS

PART NUMBER												DESCRIPTION	QTY	REF #
6	1	0	-	5	1	0	5	-	0	0	3	Body (Reading)	1	1
6	1	0	-	6	0	8	4	-	0	1	4	Roof (Reading)	1	2
6	1	0	-	5	1	0	7	-	0	0	3	Body (Amtrak)	1	1
6	1	0	-	6	0	9	2	-	0	1	4	Roof (Amtrak)	1	2
6	1	0	-	5	1	0	8	-	0	0	3	Body (Northern Pacific)	1	1
6	1	0	-	5	1	0	8	-	0	1	4	Roof (Northern Pacific)	1	2
6	1	0	-	6	0	8	4	-	0	0	3	Body (New Haven)	1	1
6	1	0	-	6	0	8	4	-	0	1	4	Roof (New Haven)	1	2
6	1	0	-	6	0	9	2	-	0	0	3	Body (Santa Fe)	1	1
6	1	0	-	6	0	9	2	-	0	1	4	Roof (Santa Fe)	1	2
6	1	0	-	6	0	9	3	-	0	0	3	Body (Illinois Central)	1	1
6	1	0	-	6	0	9	3	-	0	1	4	Roof (Illinois Central)	1	2
6	1	0	-	6	0	9	4	-	0	0	3	Body (Pennsylvania)	1	1
6	1	0	-	6	0	9	4	-	0	1	5	Roof (Pennsylvania)	1	2

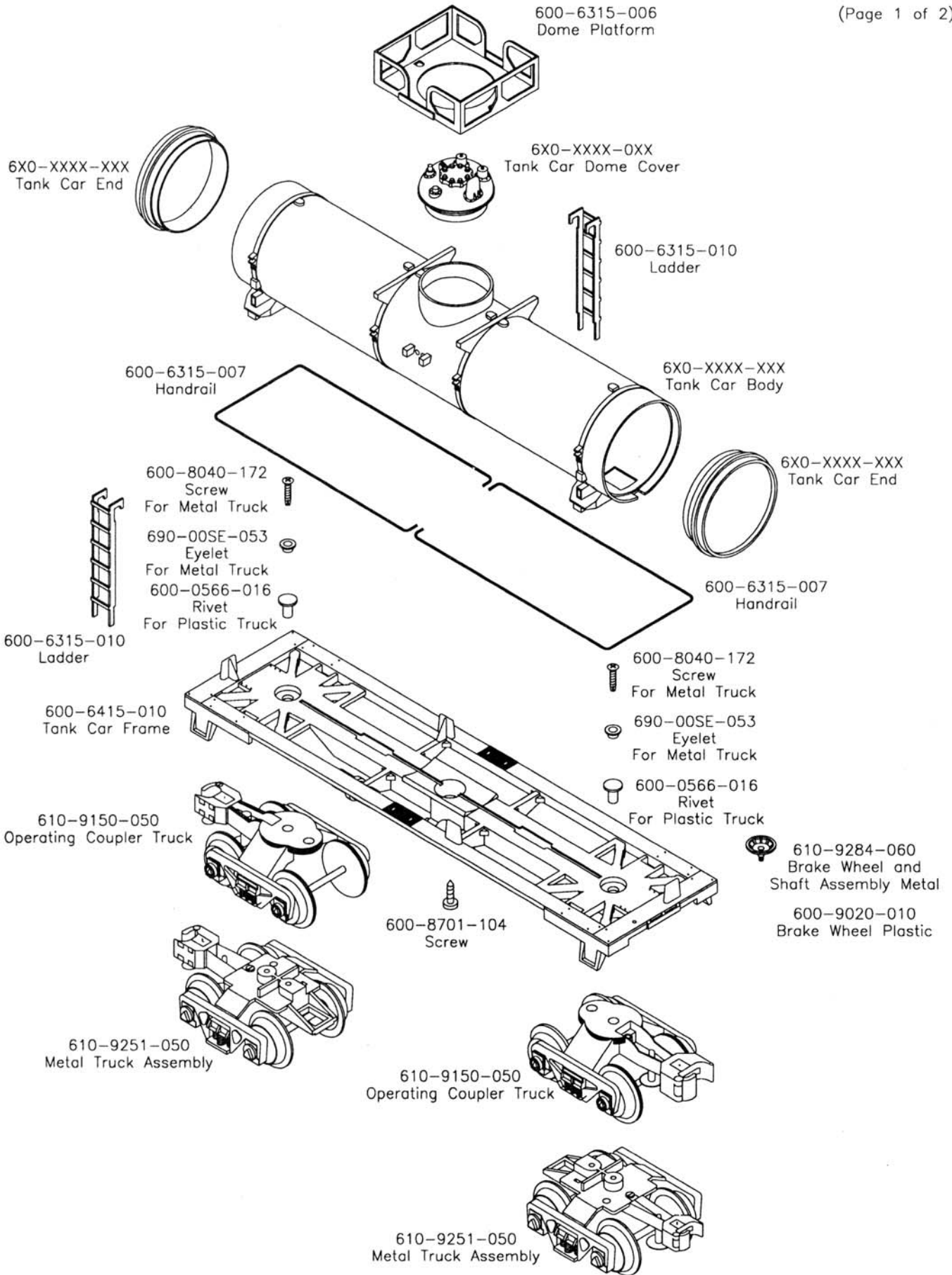
COMMON COMPONENTS

PART NUMBER												DESCRIPTION	QTY	REF #
6	0	0	-	0	5	6	6	-	0	1	6	Rivets (truck mounting)	2	
6	0	0	-	8	2	0	9	-	1	6	5	Roller & bracket assy	2	
6	0	0	-	8	3	5	2	-	3	1	1	Lamp & adapter	2	
6	0	0	-	8	3	5	2	-	3	2	0	Lamp socket with lead	2	
6	0	0	-	9	0	5	0	-	1	5	0	Pick up assy	2	
6	1	0	-	6	0	3	6	-	0	2	8	Window strip L.H.	1	
6	1	0	-	6	0	3	6	-	0	2	9	Window strip R.H.	1	
6	1	0	-	6	4	0	3	-	0	5	0	Coupler truck with pick up	2	
6	1	0	-	9	0	0	1	-	1	3	0	Wire nut	2	
6	5	0	-	8	4	0	0	-	5	5	0	Screw (body to roof mounting)	2	

S36:12-8
(F-159-2)

SINGLE DOME TANK CAR WITH PLATFORM

(Page 1 of 2)



SINGLE DOME TANK CAR

6-16138 GOOD YEAR 6-16142 SANTA FE
6-16140 DOMINO SUGAR 6-16150 SUNOCO

UNIQUE COMPONENTS

PART NUMBER												DESCRIPTION	QTY	REF #
6	0	0	-	9	1	5	2	-	0	5	4	Tank car dome cover black	1	
6	1	0	-	6	1	3	8	-	0	0	7	Tank car body Good Year	1	
6	1	0	-	6	1	3	8	-	1	4	7	Tank car ends Good Year	2	
6	1	0	-	6	1	4	0	-	0	0	7	Tank car body Domino Sugar	1	
6	1	0	-	6	1	4	0	-	0	4	4	Tank car dome cover Blue	1	
6	1	0	-	6	1	4	0	-	1	4	4	Tank car ends Domino Sugar	2	
6	1	0	-	6	1	4	2	-	0	0	7	Tank car body Santa Fe	1	
6	1	0	-	6	1	4	2	-	0	4	4	Tank car ends Gray	2	
6	1	0	-	6	1	4	2	-	0	5	4	Tank car dome cover Gray	1	
6	1	0	-	6	1	5	0	-	0	0	7	Tank car body Sunoco	1	
6	1	0	-	6	1	5	0	-	1	4	7	Tank car ends Sunoco	2	

Decorated & painted parts: To order decorated & painted parts for part number on drawing listed as 6x0-xxxx-xxx fill in tank car product number. You may encounter a 600 or a 610 for first three digits & you may also encounter a difference in the last three, for reference start with a 600 then the product number or a 610 followed by product number & refer to your current Lionel Service Parts Price list.

COMMON COMPONENTS

PART NUMBER												DESCRIPTION	QTY	REF #
6	0	0	-	0	5	6	6	-	0	1	6	Rivets for mounting plastic trucks	2	
6	0	0	-	6	3	1	5	-	0	0	6	Dome platform	1	
6	0	0	-	6	3	1	5	-	0	0	7	Handrail	2	
6	0	0	-	6	3	1	5	-	0	1	0	Ladder	2	
6	0	0	-	6	4	1	5	-	0	1	0	Tank car frame	1	
6	0	0	-	8	0	4	0	-	1	7	2	Screws for mounting metal trucks	2	
6	0	0	-	8	7	0	1	-	1	0	4	Screw frame to body mounting	1	
6	0	0	-	9	0	2	0	-	0	1	0	Brake wheel (plastic)	1	
6	1	0	-	9	1	5	0	-	0	5	0	Operating coupler truck (plastic)	2	
6	1	0	-	9	2	5	1	-	0	5	0	Metal truck assy	2	
6	1	0	-	9	2	8	4	-	0	6	0	Brake wheel & shaft assy (metal)	1	
6	0	0	-	9	5	5	0	-	0	5	0	Die cast sprung metal truck assy	2	

S36:13-2
(F-160-2)

601-2958-000 Industrial Water Tower

