



# LIONEL

\$10.00  
#610-0037-001  
Issued 6-97

## PARTS LIST AND EXPLODED DIAGRAMS SUPPLEMENT 37

Produced by Lionel®  
50625 Richard W. Boulevard  
Chesterfield, MI 48051-2493

### CONTENTS

#### O and O27 gauges

#### Diesel engines & Electrics

Dash-9 Locomotive  
G.E. Demonstrator (6-18226)

#### Steam Locomotive

0-4-0 Steam Switcher  
New York Central 1665 (6-18054)  
4-6-2 Steam Locomotive  
B & A (6-18653)  
Southern Pacific (6-18654)

#### Tenders

Slopeback Switcher Tender  
New York Central 1665 (691-8054-T01)  
Air Whistle  
B & A (691-8653-T01)  
Southern Pacific (691-8654-T01)

#### Tender's Con't

RailSounds  
2426 R.S. (601-9833-000)

#### Heavyweight Passenger Cars

#### Commodore Vanderbilt

Baggage car (6-19056)  
Passenger car (6-19057)  
(6-19058) (6-19067) (6-19068)  
Observation car (6-19059)

#### NEW YORK CENTRAL

Baggage car (6-19080)  
Passenger car (6-19081), (6-19082)  
Observation car (6-19083)

#### Accessories

Microwave tower (6-12723)  
"027" Remote Switches  
Left Hand (6-65121)  
Right Hand (6-65122)

Copyright© 1997  
By Lionel  
All Rights Reserved

Lionel® and American Flyer® are the registered trademarks of Lionel, Chesterfield Michigan

This supplement is designed to fit with two different publications, the *Lionel Service Manual 1986 to 1997* and *Lionel Parts List and Exploded Diagrams*.

Each page has two numbers. The number for the *Lionel Service Manual* is indicated by parentheses, e.g., (B-74). The number which applies to *Lionel Parts lists and Exploded Diagrams* is above the parentheses, e.g., S37-1-1

# LIONEL SERVICE MANUAL

## INDEX BY LETTER

### SUPPLEMENT 37

Description	Drawing
<b>Diesel Locomotives Power Units</b>	
Dash-9 Locomotive.....	(B-74,2,3,4)
601-8226-000 G.E. Demonstrator	
<b>Steam Locomotives</b>	
0-4-0 Steam Switcher.....	(A-67,2,3,4)
601-8054-000 1665 New York Central	
4-6-2 Steam Locomotive w/Flywheel can motor.....	(A-68,2)
601-8653-000 B & A	
601-8654-000 Southern Pacific	
<b>Tenders</b>	
Slopeback Switcher tender w/electronic E-unit.....	(C-60)
691-8054-T01 1665 New York Central	
Air Whistle Tender w/die-cast metal modular trucks.....	(C-61)
691-8653-T01 B & A	
691-8654-T01 Southern Pacific	
RailSounds Tender die-cast metal.....	(C-62,2,3)
601-9833-000 2426 RailSounds	
<b>Heavyweight Passenger Cars</b>	
Baggage car.....	(F-161)
601-9056-000 Commodore Vanderbilt	
601-9080-000 New York Central	
Passenger Cars.....	(F-162)
601-9057-000 Commodore Vanderbilt	
601-9058-000 Commodore Vanderbilt	
601-9067-000 Commodore Vanderbilt	
601-9068-000 Commodore Vanderbilt	
601-9081-000 New York Central	
601-9082-000 New York Central	
Observation Cars.....	(F-163)
601-9059-000 Commodore Vanderbilt	
601-9083-000 New York Central	
<b>Accessories</b>	
Microwave Tower .....	(I-67)
601-2723-000	
"027" Gauge Remote Control Switches.....	(G-8,9)
606-5121-000 Left Hand	
606-5122-000 Right Hand	

**INDEX TO  
LIONEL PARTS LISTS AND EXPLODED DIAGRAMS  
SUPPLEMENT 37**

---

---

**ALPHABETICAL INDEX**

**O AND 027 GAUGES  
DIESEL ENGINES**

**POWER UNITS**

Dash-9 Locomotive S37:1-1,2,3,4  
601-8226-000 G.E. Demonstrator

**STEAM LOCOMOTIVES**

4-6-2 S37:3-5,6  
601-8653-000 B & A  
601-8654-000 Southern Pacific  
0-4-0 S37:3-1,2,3,4  
601-8054-000 1665 New York Central

**TENDERS**

Air Whistle S37:4-2  
w/die-cast metal modular trucks  
691-8653-T01 B & A  
691-8654-T01 Southern Pacific  
Slopeback Switcher S37:3-1  
w/Electronic E-unit  
691-8054-T01 1665 N.Y.C.  
Railsound Die-cast Metal S37:4-3,4,5  
601-9833-000 2426 RailSounds

**HEAVYWEIGHT PASSENGER CARS  
COMMODORE VANDERBILT**

601-9056-000 Baggage S37:12-1,2  
601-9057-000 Passenger S37:12-3,4  
601-9058-000 Passenger S37:12-3,4  
601-9067-000 Passenger S37:12-3,4  
601-9068-000 Passenger S37:12-3,4  
601-9059-000 Observation S37:12-5,6

**NEW YORK CENTRAL**

601-9080-000 Baggage S37:12-1,2  
601-9081-000 Passenger S37:12-3,4  
601-9082-000 Passenger S37:12-3,4  
601-9083-000 Observation S37:12-5,6

**ACCESSORIES**

Microwave Tower S37:14-1  
601-2723-000  
"027" Remote Control switches S37:16-1,2  
606-5121-000 Left hand  
606-5122-000 Right hand

## NUMERICAL LISTINGS

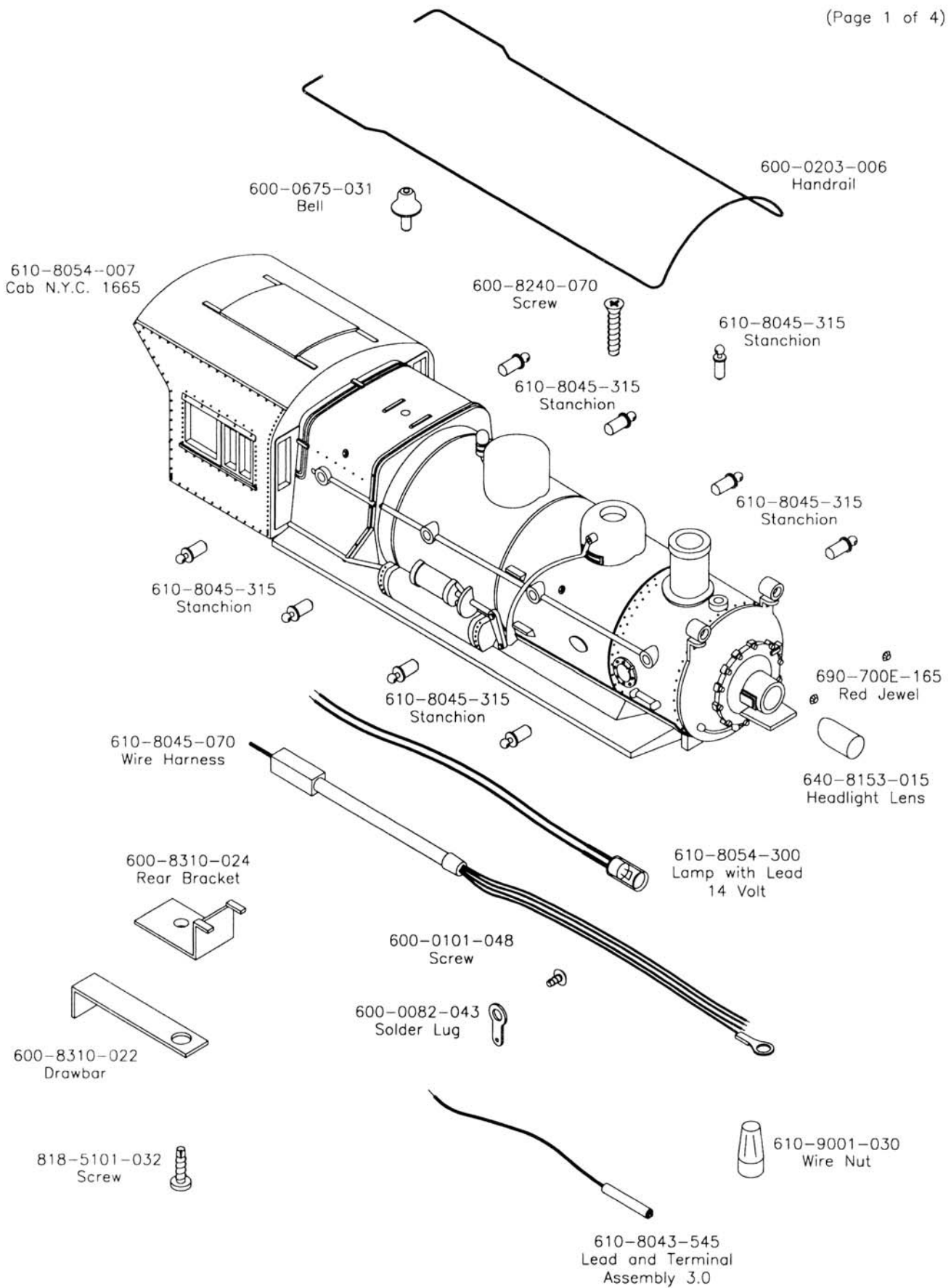
---

---

601-2723-000	S37:14-1	601-9068-000	S37:12-3,4
601-8054-000	S37:3-1,2,3,4	601-9080-000	S37:12-1,2
601-8226-000	S37:1-1,2,3,4	601-9081-000	S37:12-3,4
601-8653-000	S37:3-5,6	601-9082-000	S37:12-3,4
601-8654-000	S37:3-5,6	601-9083-000	S37:12-5,6
601-9056-000	S37:12-1,2	601-9833-000	S37:4-3,4,5
601-9057-000	S37:12-3,4	606-5121-000	S37:16-1,2
601-9058-000	S37:12-3,4	606-5122-000	S37:16-1,2
601-9059-000	S37:12-5,6	691-8054-T01	S37:3-1
601-9067-000	S37:12-3,4	691-8653-T01	S37:4-2
		691-8654-T01	S37:4-2

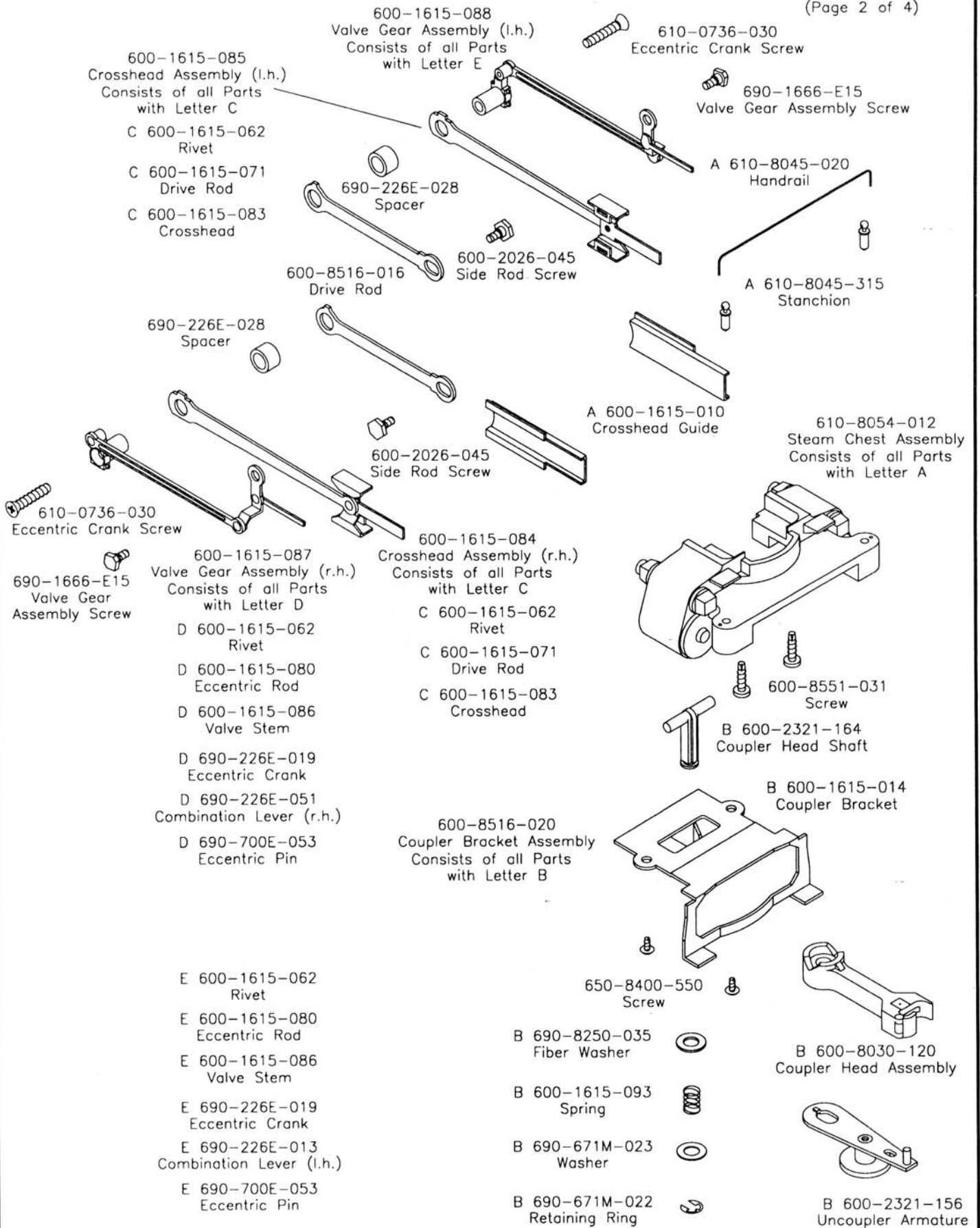
# 601-8054-000 1665 N.Y.C. 0-4-0 STEAM SWITCHER LOCOMOTIVE

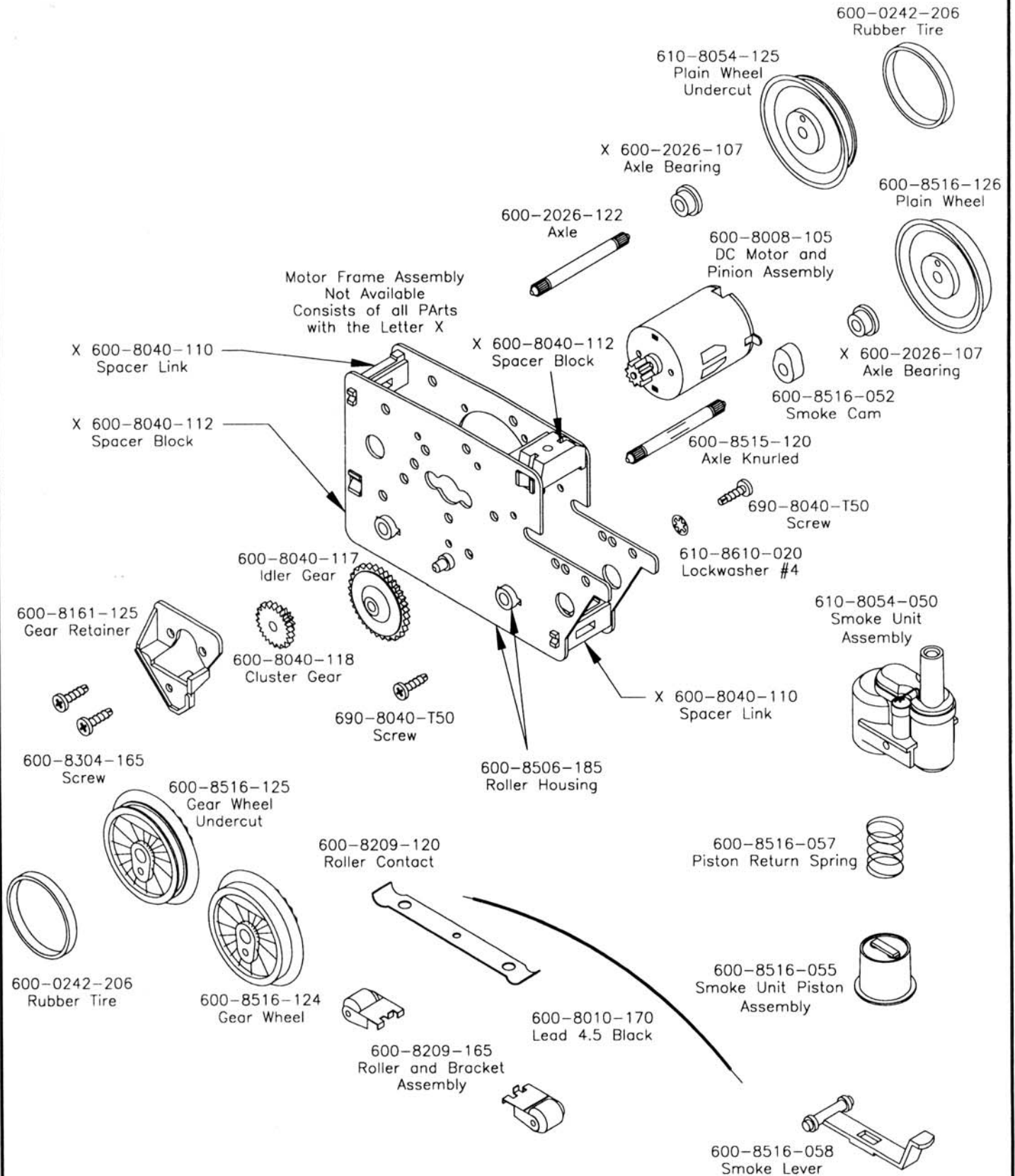
(Page 1 of 4)



# 601-8054-000 1665 N.Y.C. 0-4-0 STEAM SWITCHER LOCOMOTIVE

(Page 2 of 4)







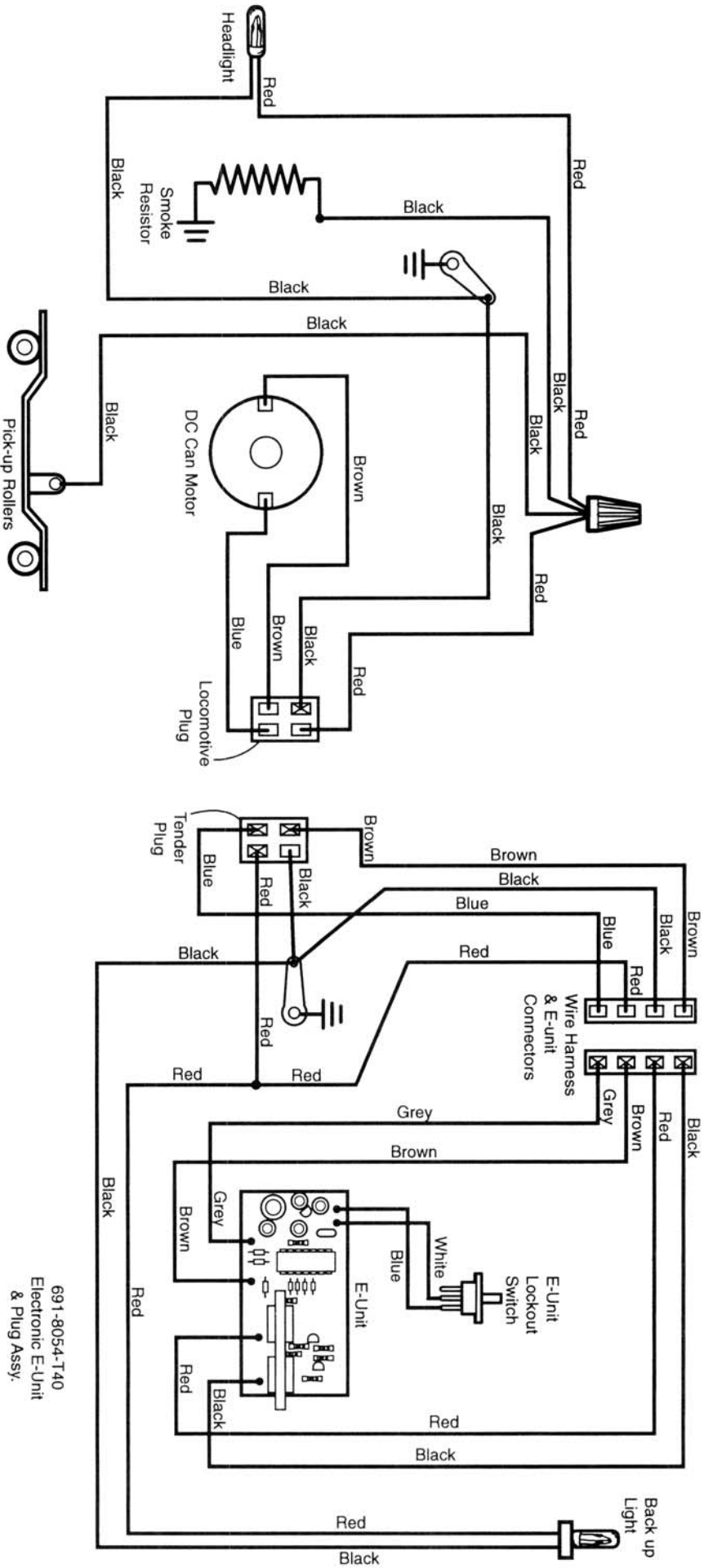
# 601-8054-000 1665 NEW YORK CENTRAL 0-4-0 STEAM SWITCHER LOCOMOTIVE & TENDER WIRING SCHEMATIC

Page 4 of 4



Locomotive

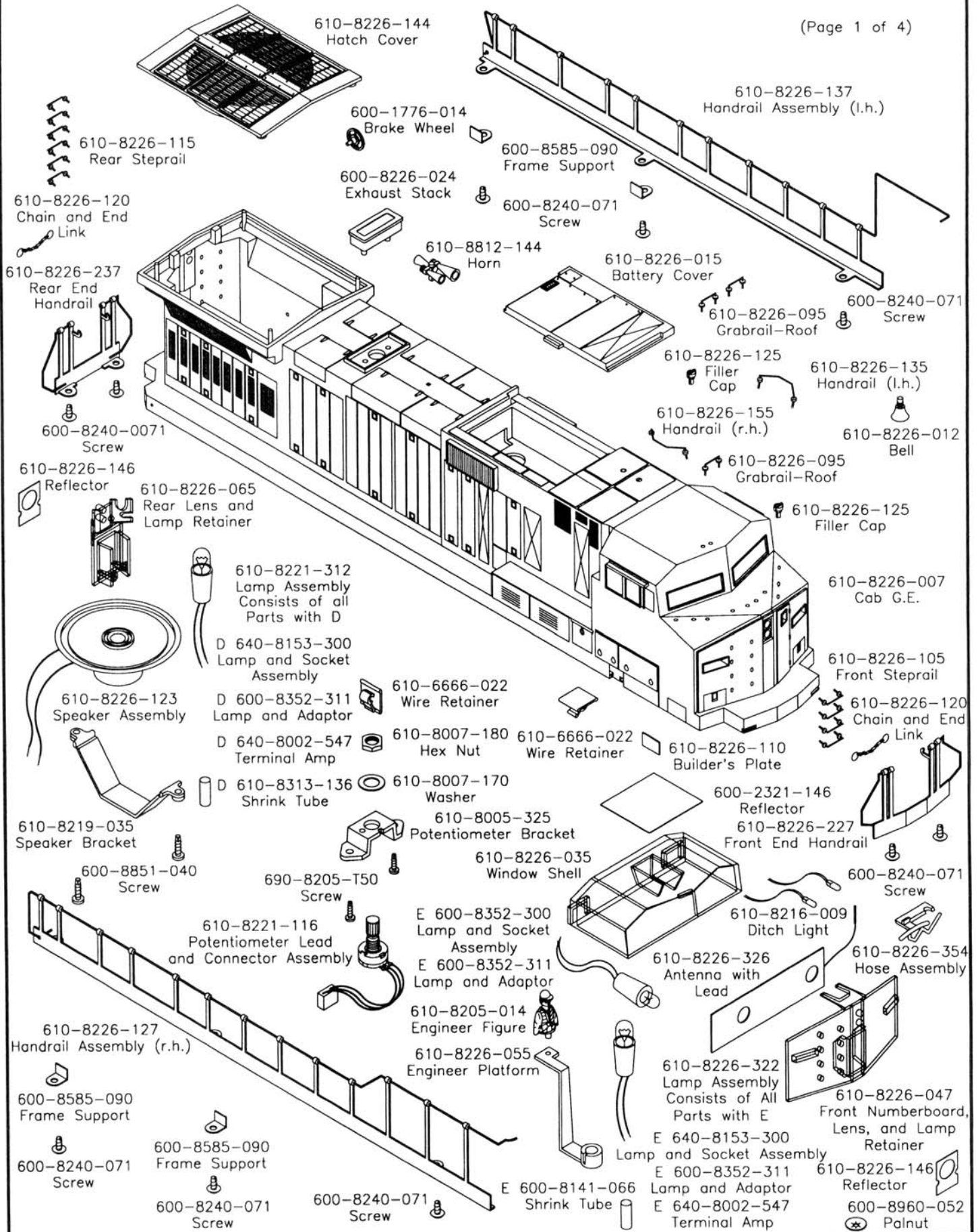
Tender



691-8054-T40  
Electronic E-Unit  
& Plug Assy.

# 601-8226-000 G.E. DASH-9 LOCOMOTIVE

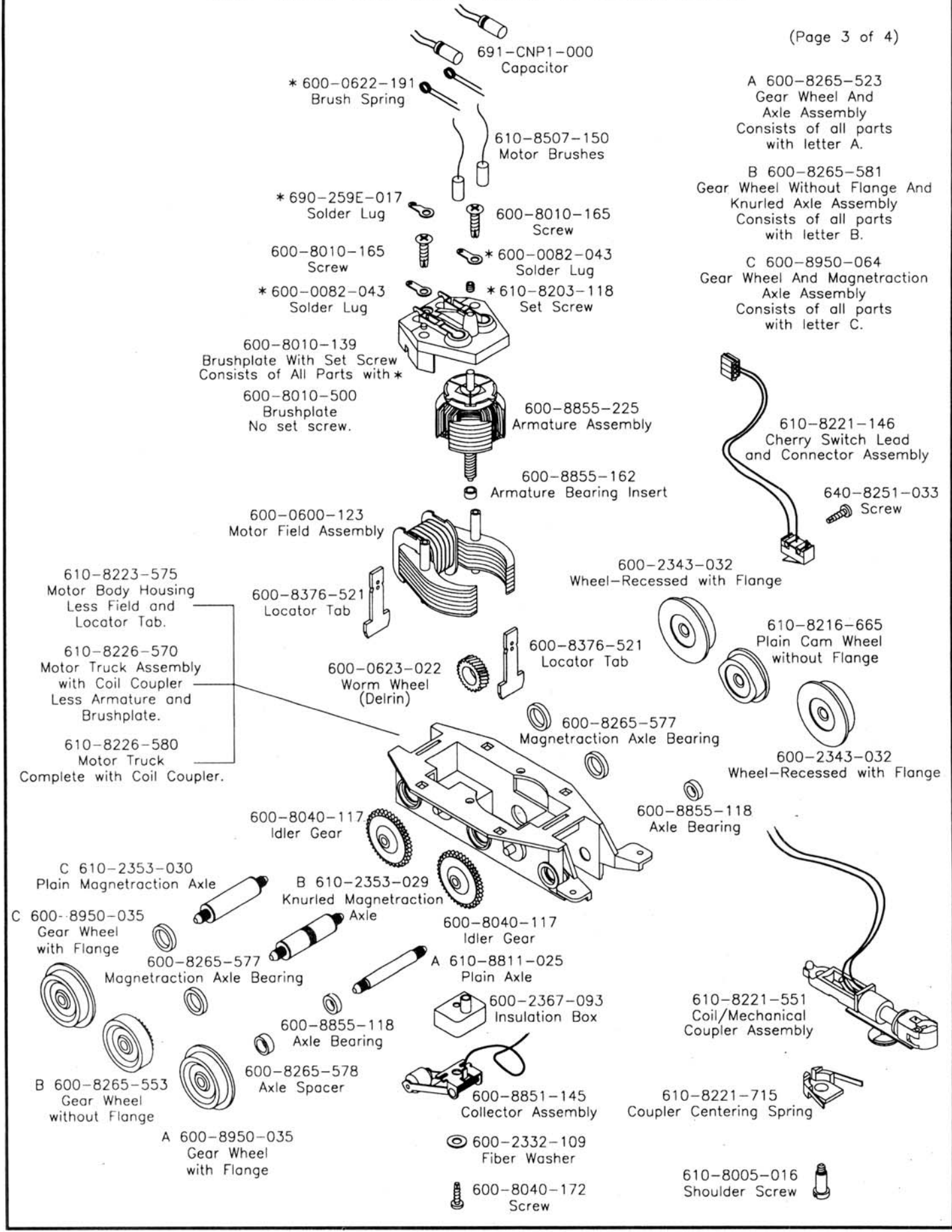
(Page 1 of 4)



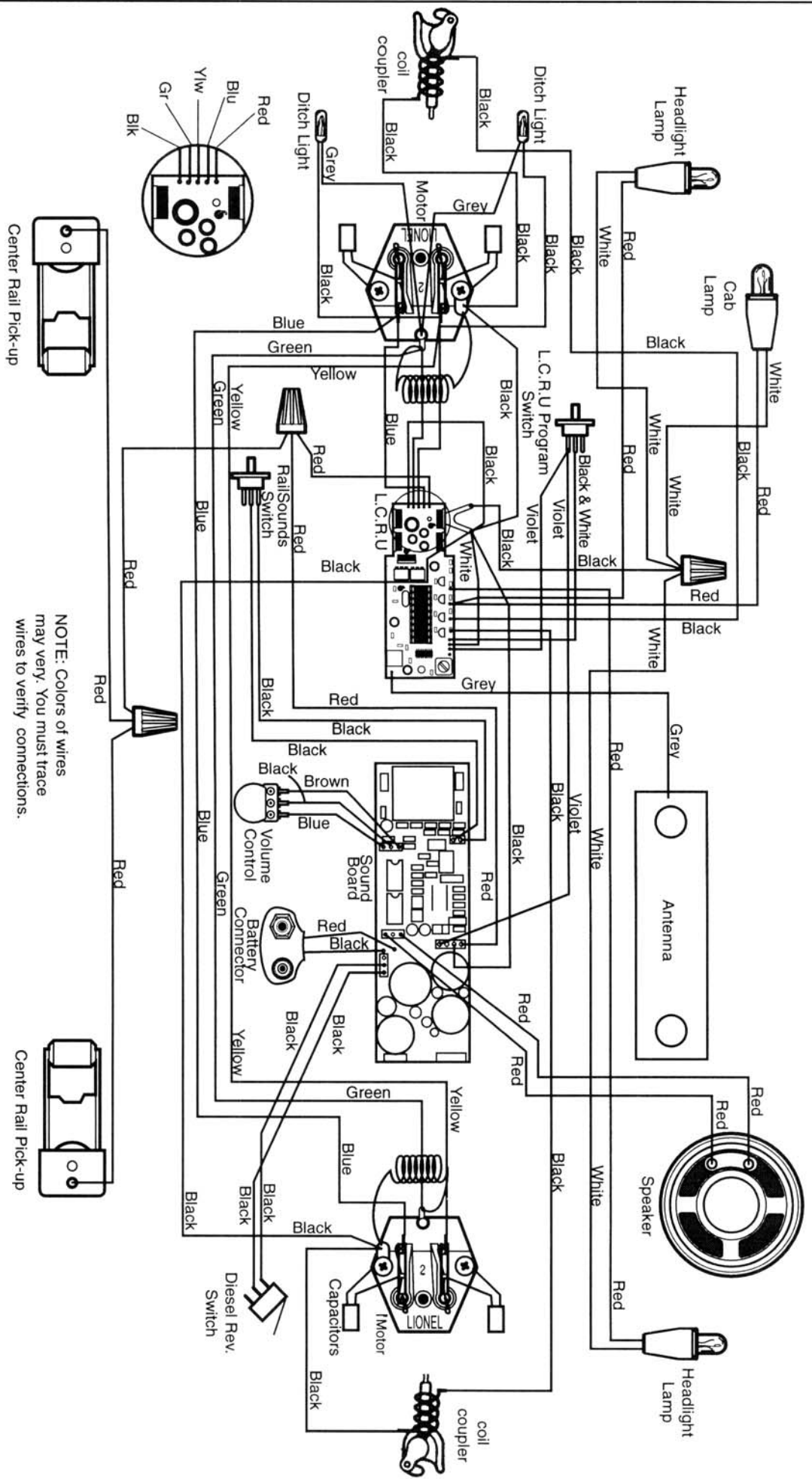


# 601-8226-000 G.E. DASH-9 LOCOMOTIVE

(Page 3 of 4)



# 601-8226-000 DASH-9 DEMONSTRATOR G.E. WIRING SCHEMATIC

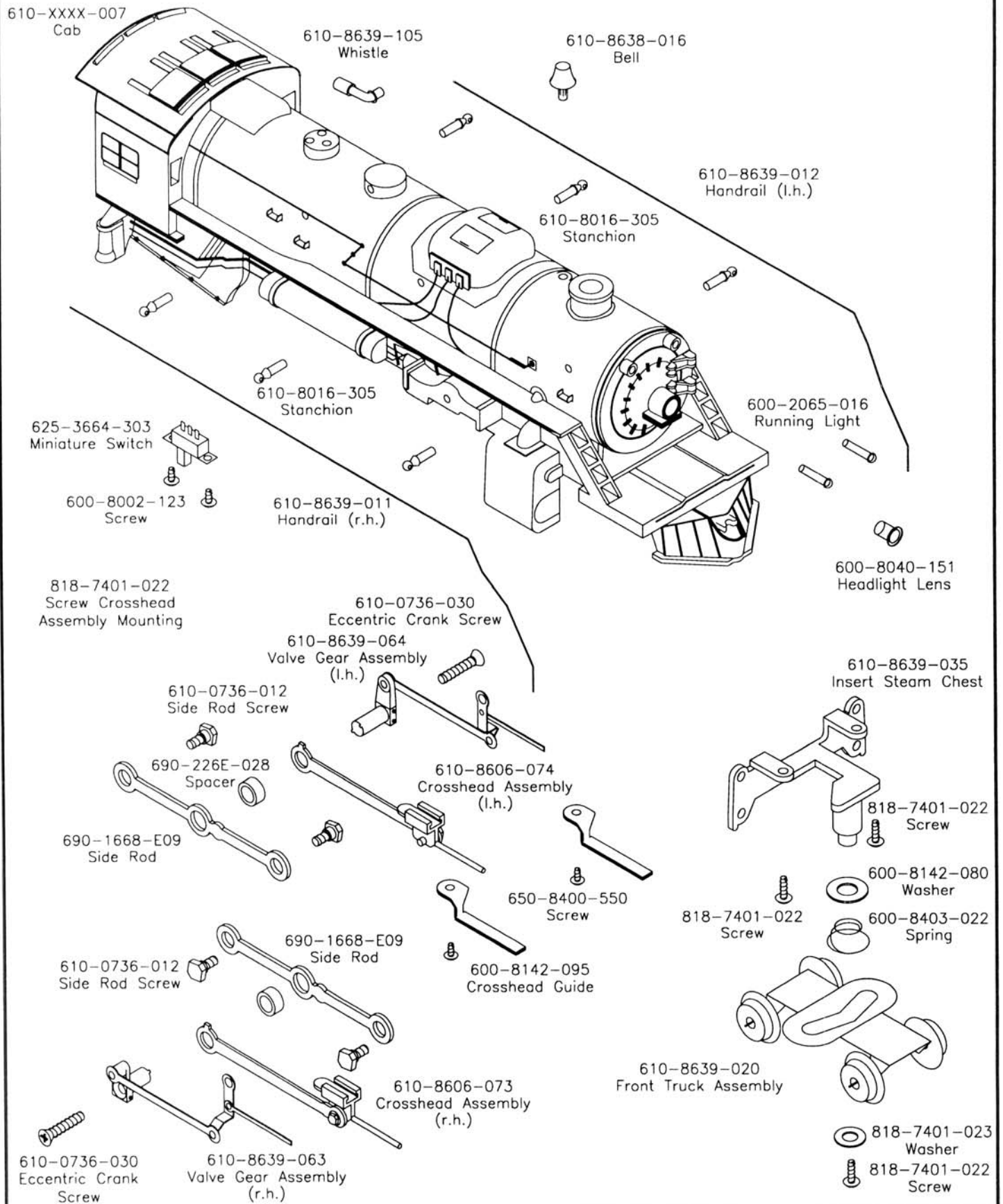


NOTE: Colors of wires may vary. You must trace wires to verify connections.



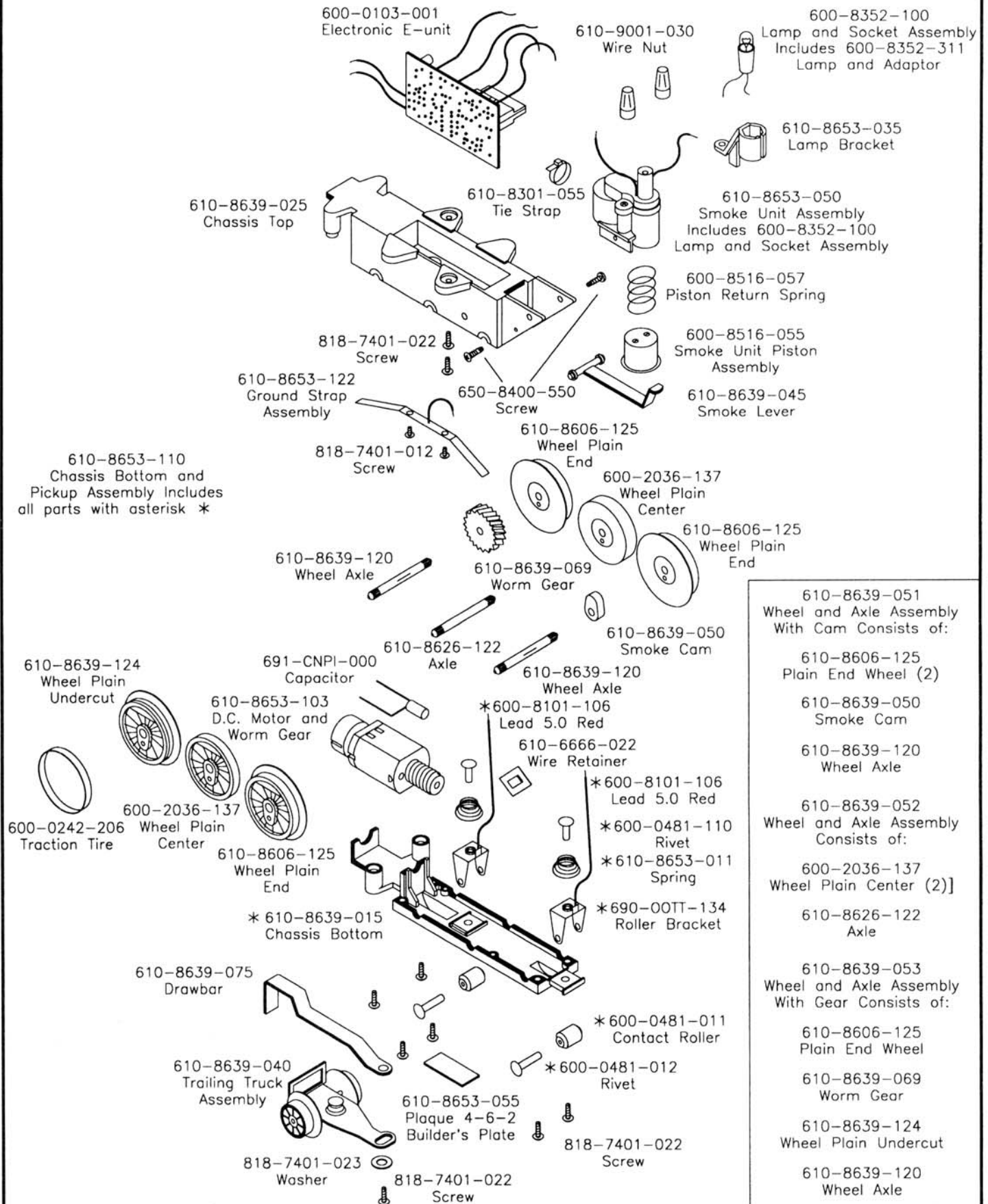
# 4-6-2 STEAM LOCOMOTIVE WITH FLYWHEEL CAN MOTOR

(Page 1 of 2)

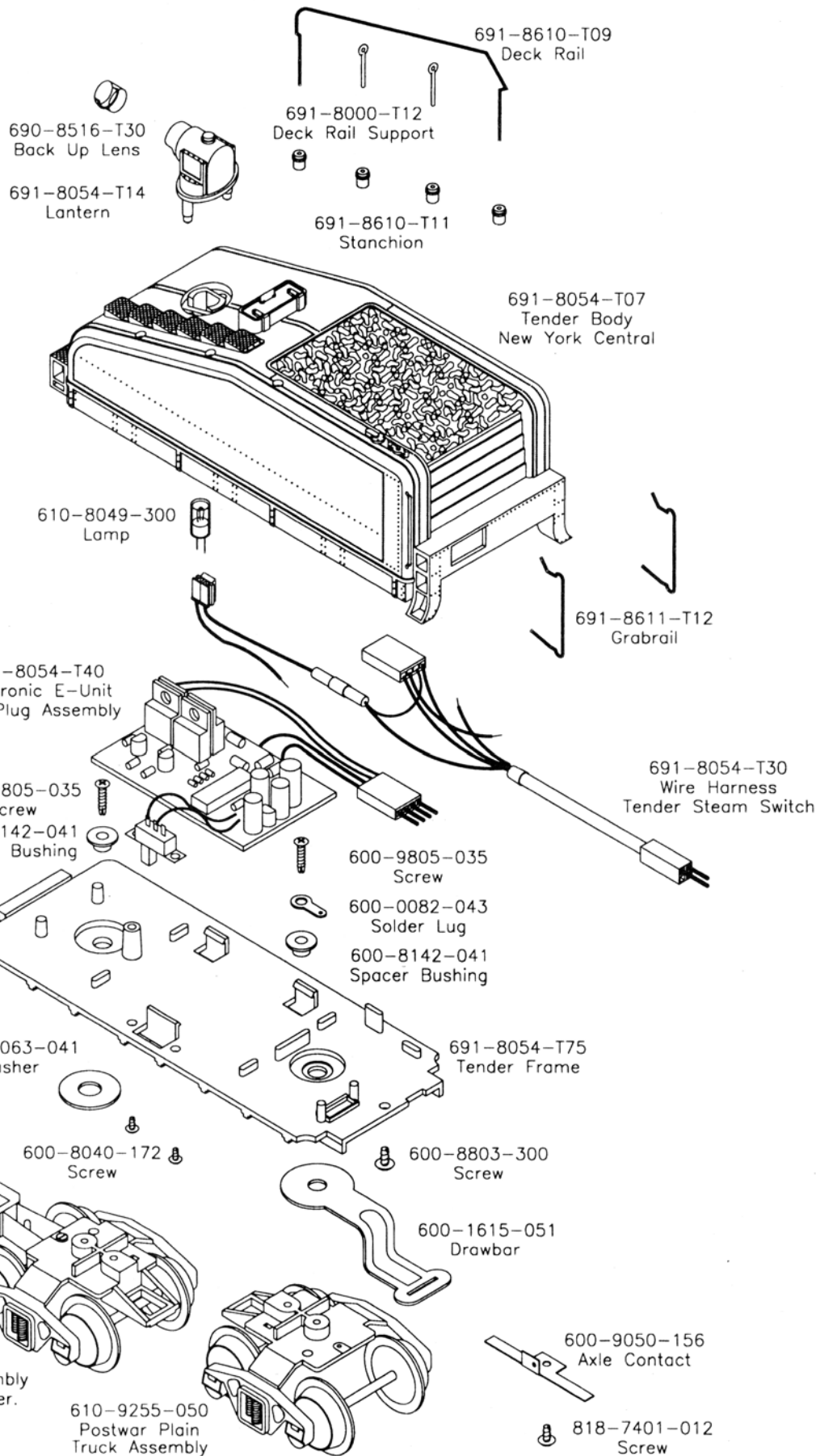


# 4-6-2 STEAM LOCOMOTIVE WITH FLYWHEEL CAN MOTOR

(Page 2 of 2)

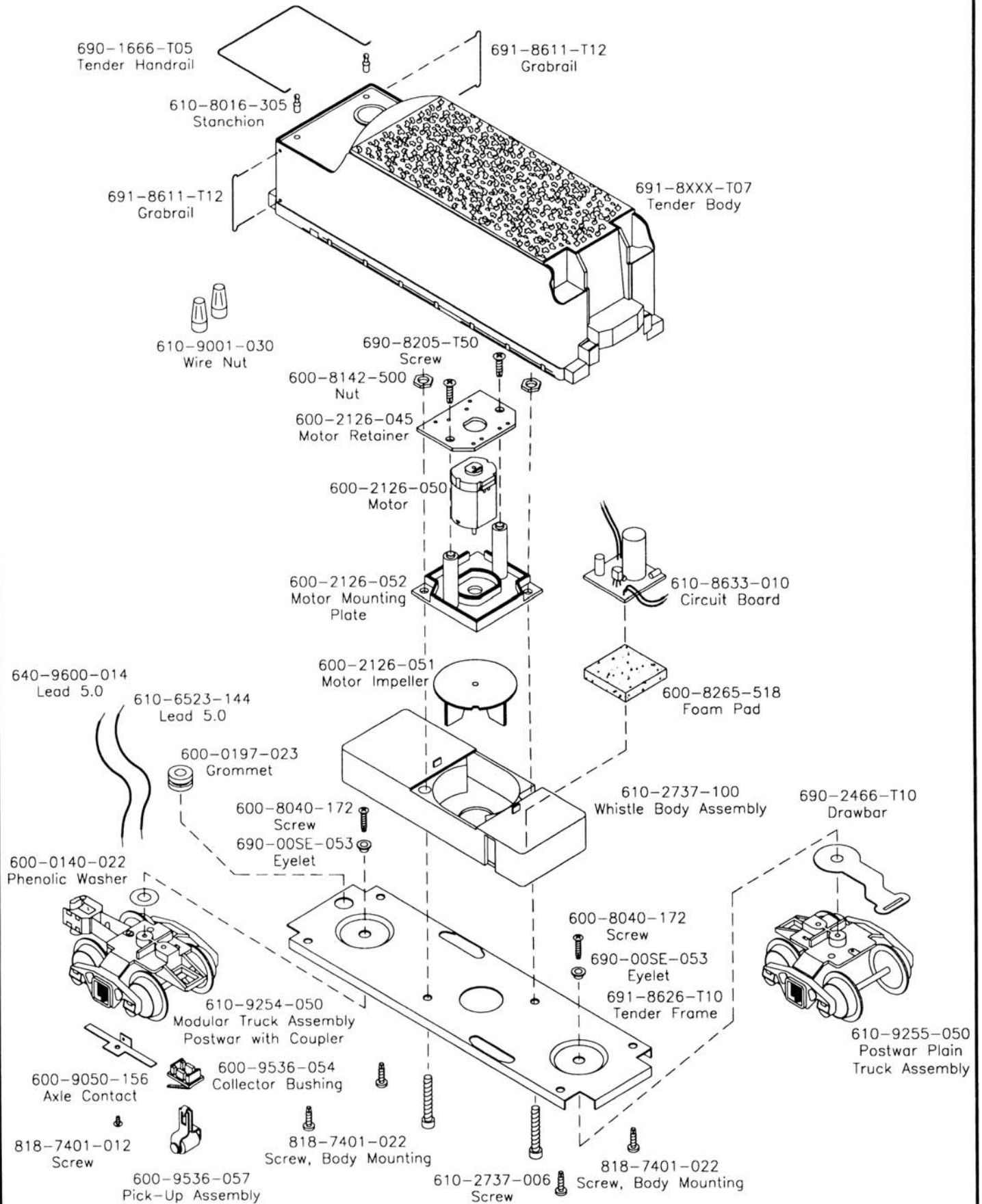


# 691-8054-T01 1665 N.Y.C. 0-4-0 STEAM SWITCHER TENDER





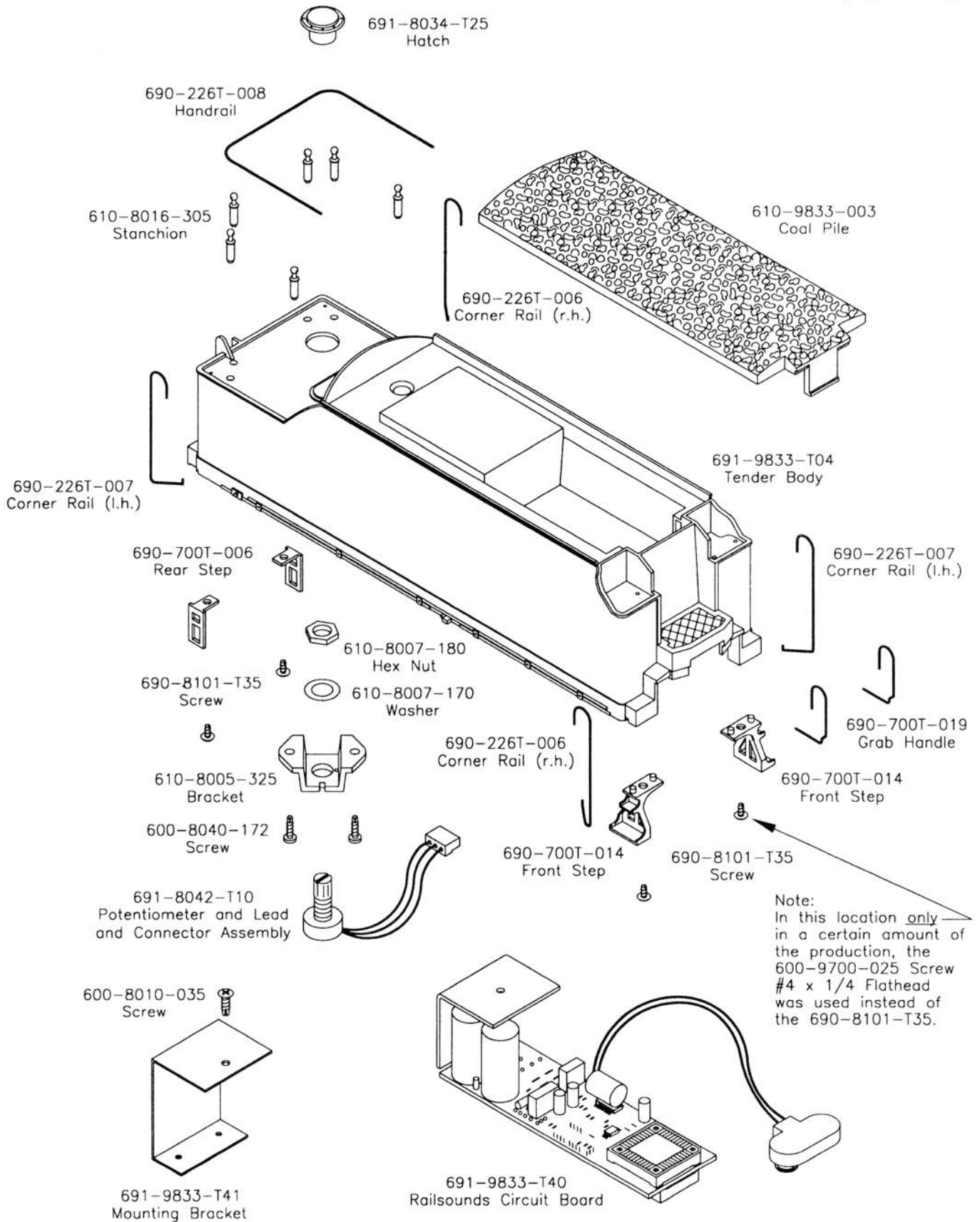
# AIR WHISTLE TENDER WITH DIE-CAST METAL MODULAR TRUCKS



# RAILSOUNDS TENDER

## 601-9833-000

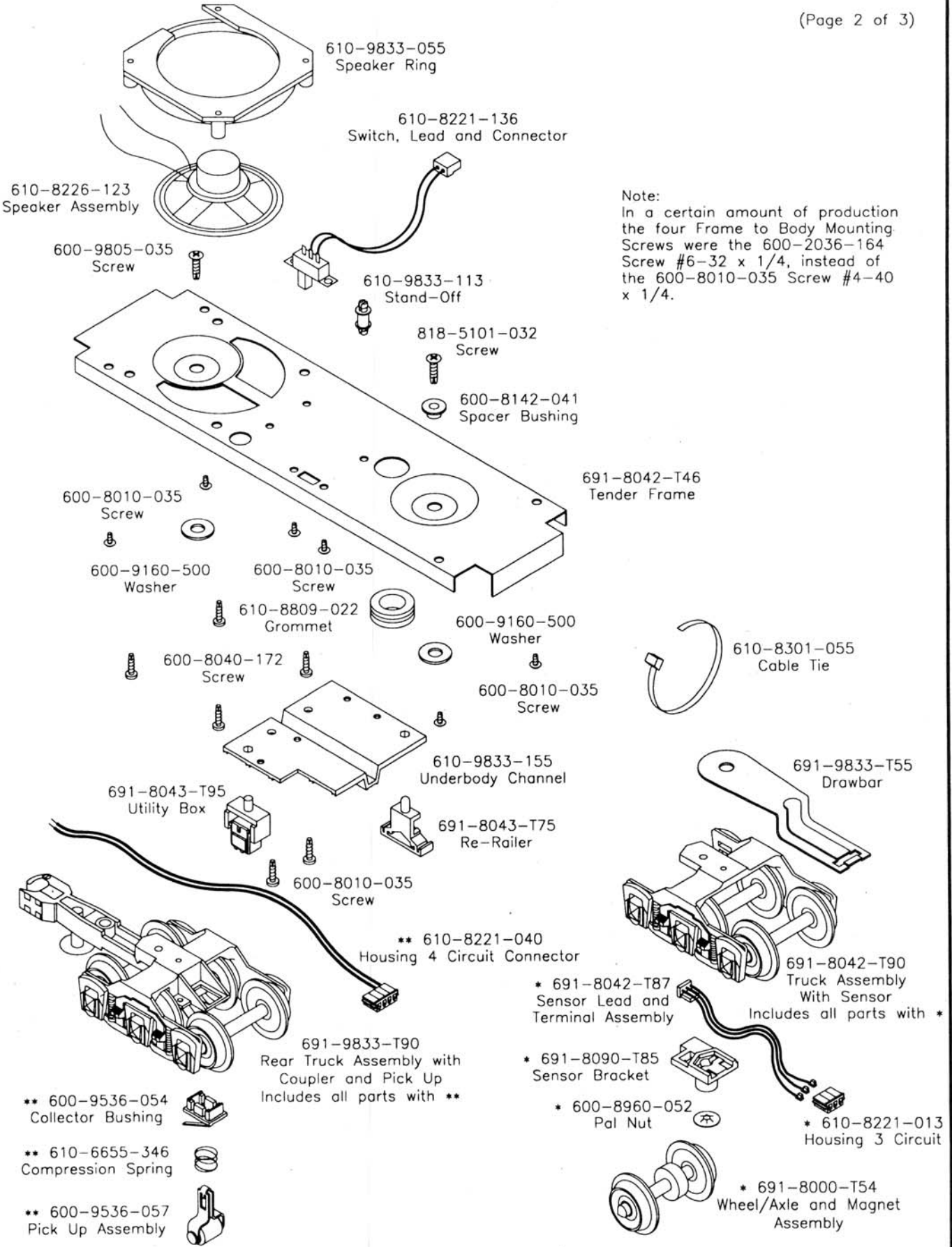
(Page 1 of 3)



# RAILSOUNDS TENDER

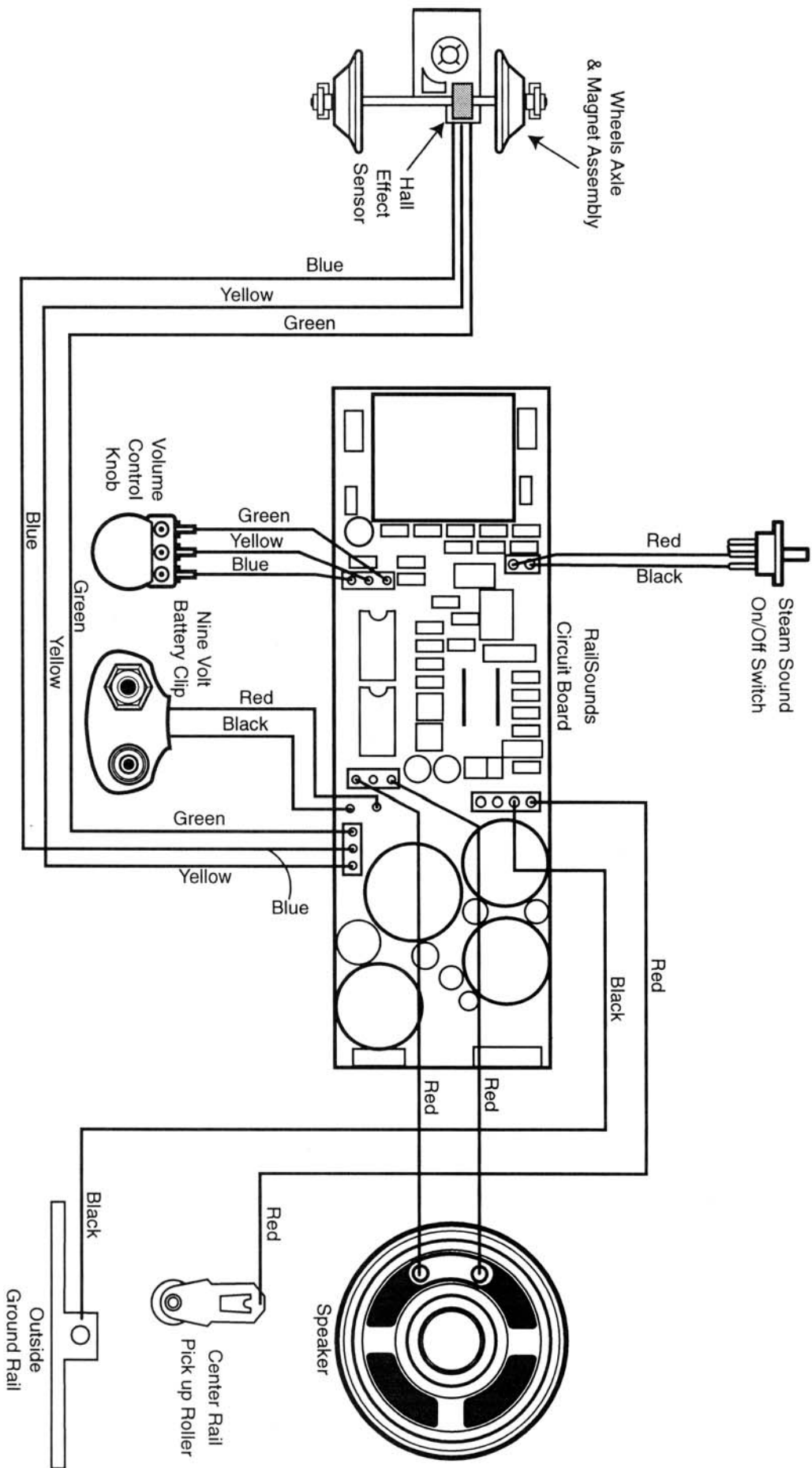
## 601-9833-000

(Page 2 of 3)

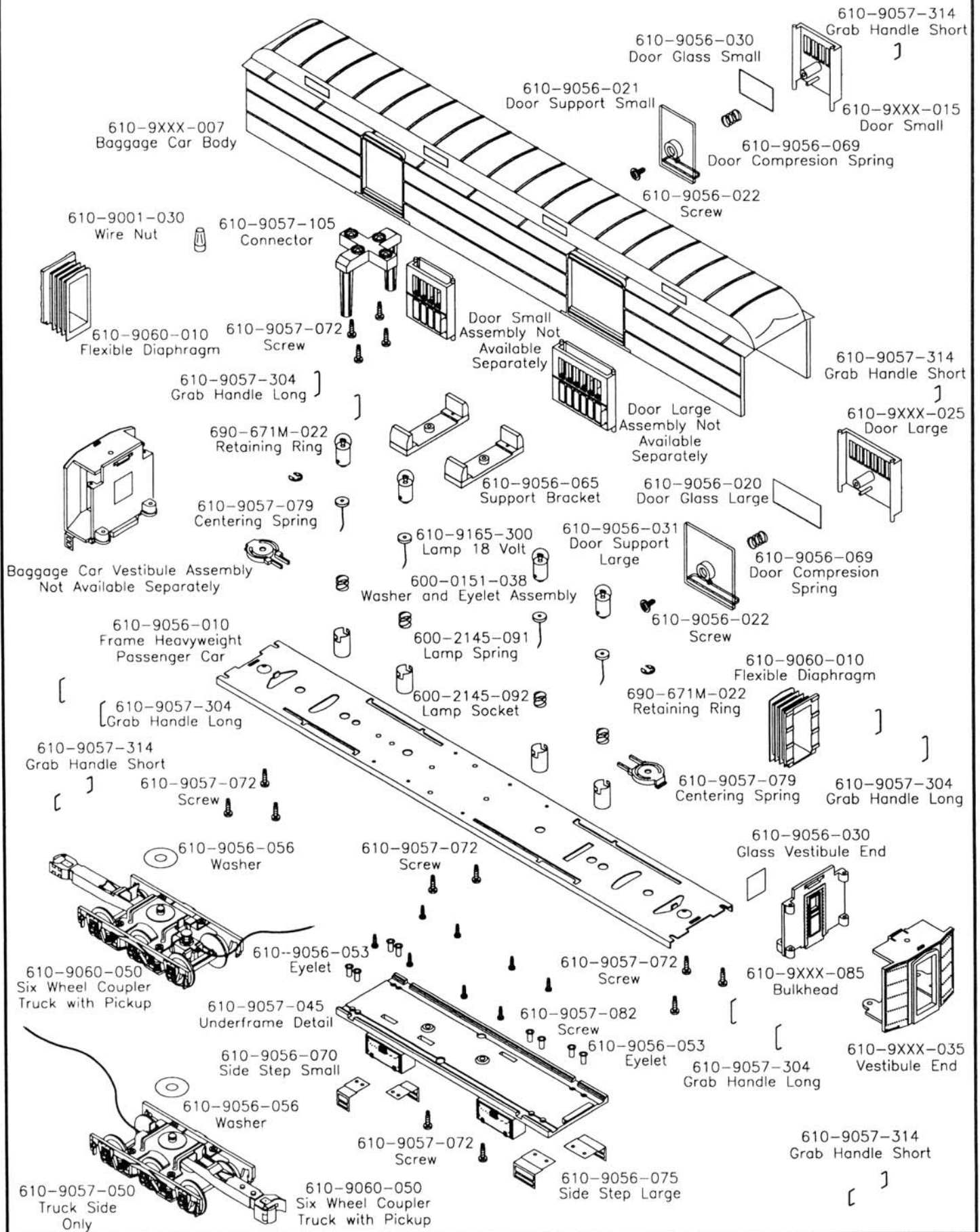


Note:  
In a certain amount of production  
the four Frame to Body Mounting  
Screws were the 600-2036-164  
Screw #6-32 x 1/4, instead of  
the 600-8010-035 Screw #4-40  
x 1/4.

# 601-9833-000 RAILSOUNDS TENDER WIRING SCHEMATIC



# PULLMAN HEAVYWEIGHT BAGGAGE CAR



# PULLMAN HEAVYWEIGHT BAGGAGE CARS

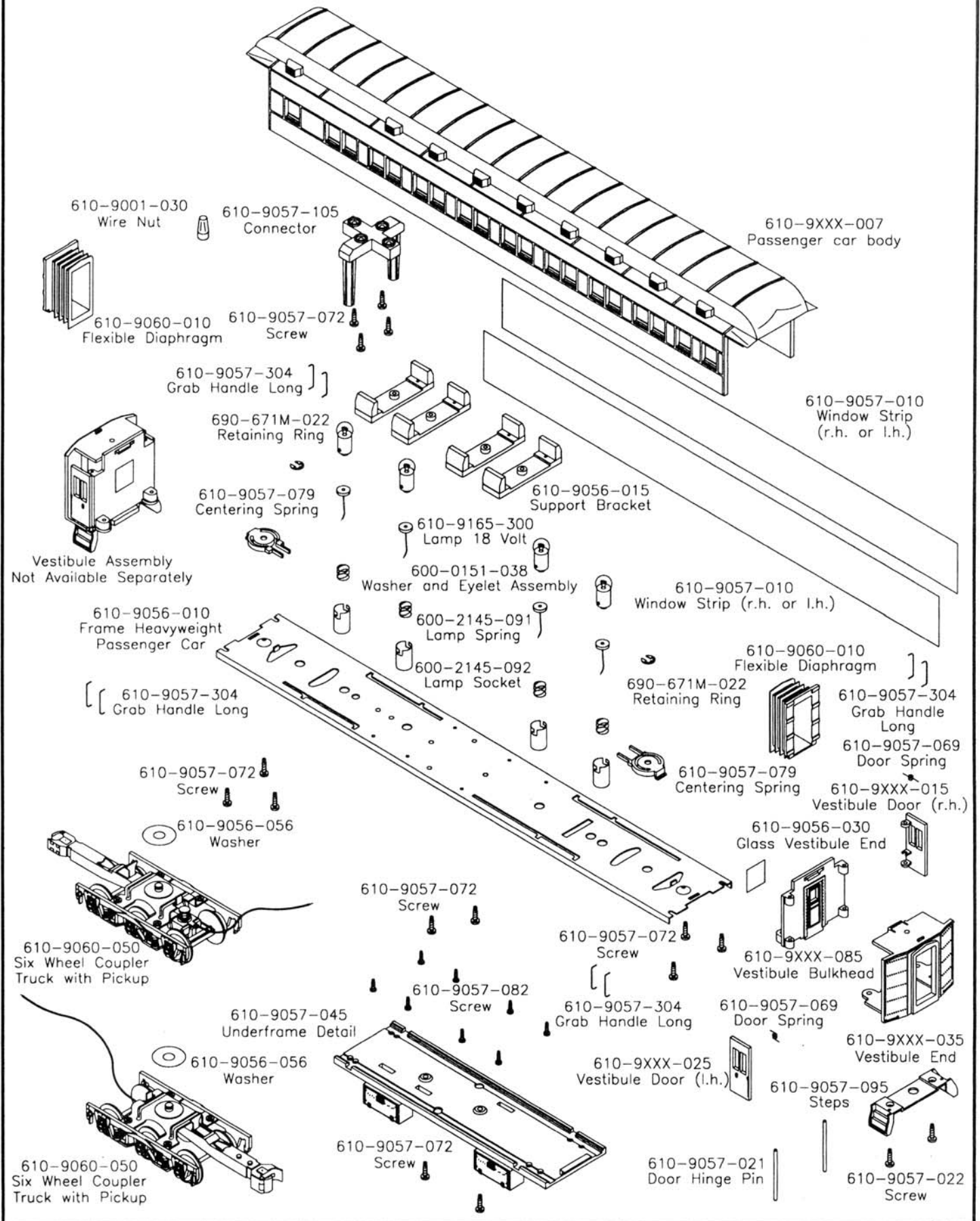
**6-19056 Commodore Vanderbilt**

**6-19080 New York Central**

## UNIQUE COMPONENTS

PART NUMBER											DESCRIPTION	QTY	REF #	
6	1	0	-	9	0	5	6	-	0	0	7	Baggage car body C.V.	1	
6	1	0	-	9	0	5	6	-	0	1	5	Door, small C.V.	2	
6	1	0	-	9	0	5	6	-	0	2	5	Door, large C.V.	2	
6	1	0	-	9	0	5	7	-	0	3	5	Vestibule end C.V.	2	
6	1	0	-	9	0	5	7	-	0	8	5	Bulkhead C.V.	2	
6	1	0	-	9	0	8	0	-	0	0	7	Baggage car body N.Y.C.	1	
6	1	0	-	9	0	8	0	-	0	1	5	Door, small N.Y.C.	2	
6	1	0	-	9	0	8	0	-	0	2	5	Door, large N.Y.C.	2	
6	1	0	-	9	0	8	1	-	0	3	5	Vestibule end N.Y.C.	2	
6	1	0	-	9	0	8	1	-	0	8	5	Bulkhead N.Y.C.	2	

# PULLMAN HEAVYWEIGHT PASSENGER CAR



# PULLMAN HEAVYWEIGHT PASSENGER CARS

6-19057 Com. Vanderbilt  
6-19058 Com. Vanderbilt

6-19067 Com. Vanderbilt  
6-19068 Com. Vanderbilt

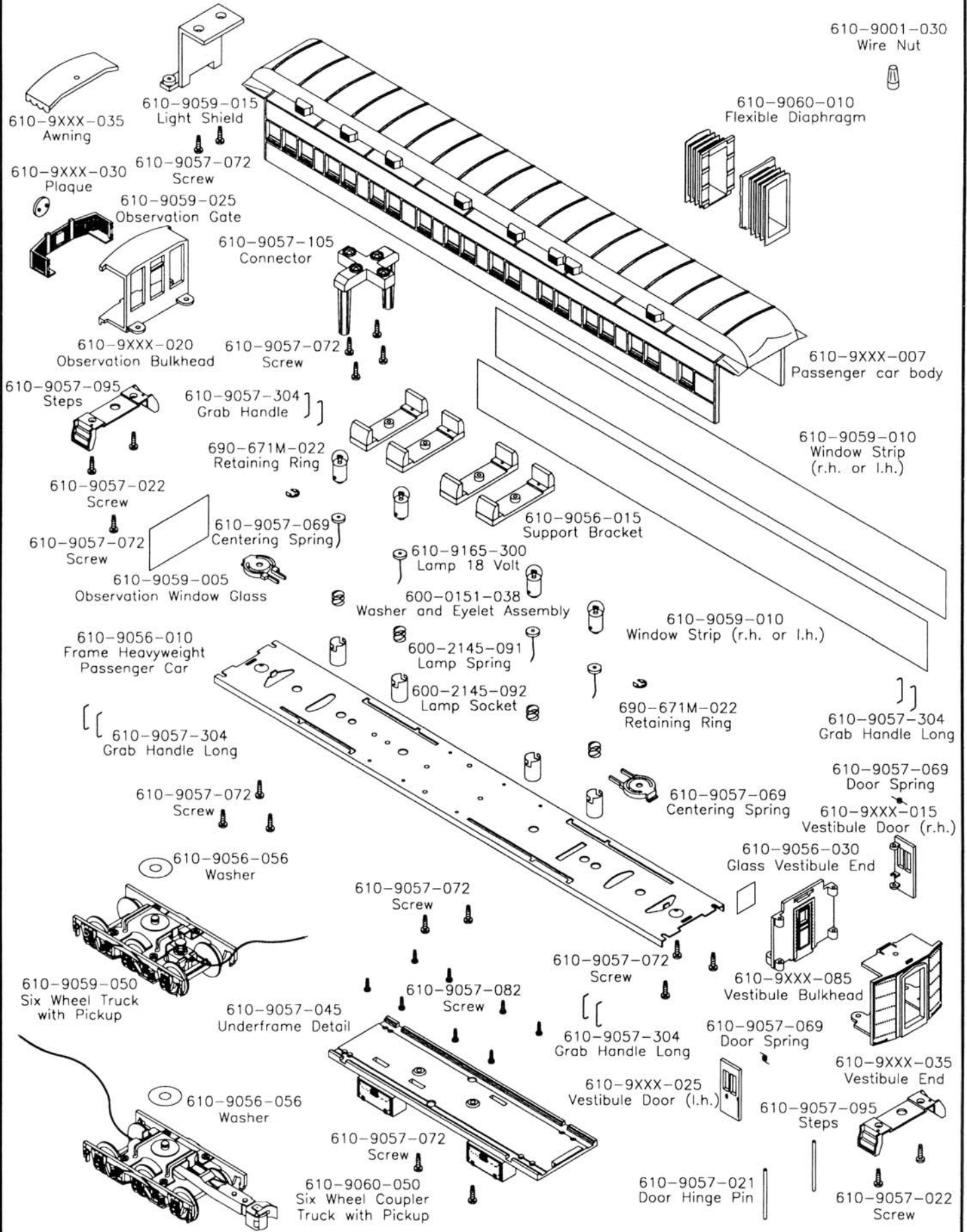
6-19081 NYC  
6-19082 NYC

## UNIQUE COMPONENTS

PART NUMBER											DESCRIPTION	QTY	REF #	
6	1	0	-	9	0	5	7	-	0	0	7	Passenger car body C.V.	1	
6	1	0	-	9	0	5	8	-	0	0	7	Passenger car body C.V.	1	
6	1	0	-	9	0	6	7	-	0	0	7	Passenger car body C.V.	1	
6	1	0	-	9	0	6	8	-	0	0	7	Passenger car body C.V.	1	
6	1	0	-	9	0	5	7	-	0	3	5	Vestibule end C.V.	2	
6	1	0	-	9	0	5	7	-	0	8	5	Vestibule bulkhead C.V.	2	
6	1	0	-	9	0	5	7	-	0	1	5	Vestibule door R.H. C.V.	2	
6	1	0	-	9	0	5	7	-	0	2	5	Vestibule door L.H. C.V.	1	
6	1	0	-	9	0	8	1	-	0	0	7	Passenger car body N.Y.C.	2	
6	1	0	-	9	0	8	1	-	0	3	5	Vestibule end N.Y.C.	2	
6	1	0	-	9	0	8	1	-	0	8	5	Vestibule bulkhead N.Y.C.	2	
6	1	0	-	9	0	8	1	-	0	1	5	Vestibule door R.H. N.Y.C.	2	
6	1	0	-	9	0	8	1	-	0	2	5	Vestibule door L.H. N.Y.C.	2	
6	1	0	-	9	0	8	2	-	0	0	7	Passenger car body N.Y.C.	1	



# PULLMAN HEAVYWEIGHT OBSERVATION CAR



# PULLMAN HEAVYWEIGHT OBSERVATION CARS

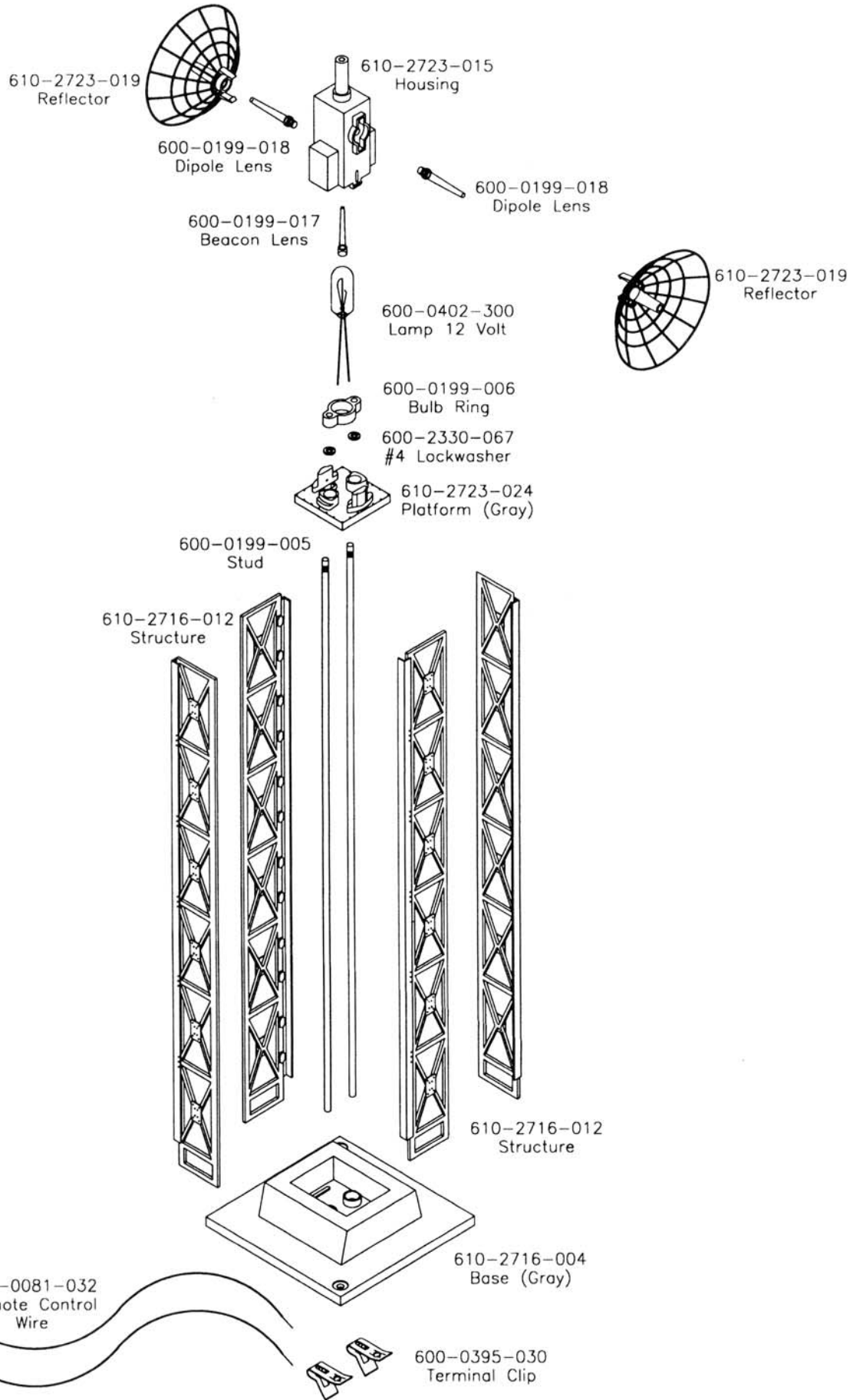
6-19059 Commodore Vanderbilt

6-19083 New York Central

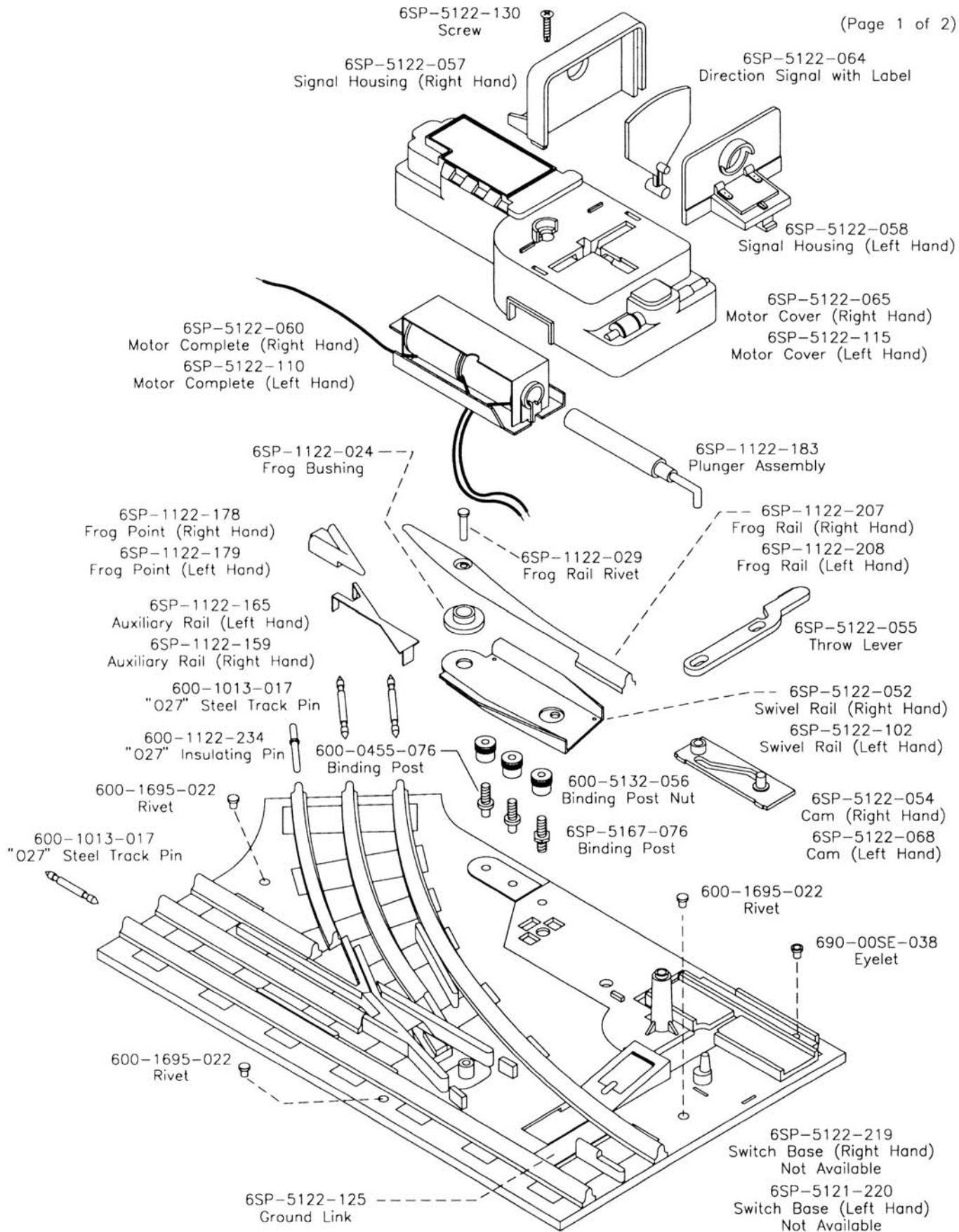
## UNIQUE COMPONENTS

PART NUMBER											DESCRIPTION	QTY	REF #	
6	1	0	-	9	0	5	9	-	0	0	7	Observation car body C.V.	1	
6	1	0	-	9	0	5	7	-	0	3	5	Vestibule end C.V.	1	
6	1	0	-	9	0	5	7	-	0	8	5	Vestibule Bulkhead C.V.	1	
6	1	0	-	9	0	5	7	-	0	1	5	Vestibule door R.H. C.V.	1	
6	1	0	-	9	0	5	7	-	0	2	5	Vestibule door L.H. C.V.	1	
6	1	0	-	9	0	5	9	-	0	2	0	Observation bulkhead C.V.	1	
6	1	0	-	9	0	5	9	-	0	3	0	Observation plaque C.V.	1	
6	1	0	-	9	0	5	9	-	0	3	5	Observation awning C.V.	1	
6	1	0	-	9	0	8	3	-	0	0	7	Observation car body N.Y.C.	1	
6	1	0	-	9	0	8	3	-	0	3	5	Vestibule end N.Y.C.	1	
6	1	0	-	9	0	8	3	-	0	8	5	Vestibule bulkhead N.Y.C.	1	
6	1	0	-	9	0	8	3	-	0	1	5	Vestibule door R.H. N.Y.C.	1	
6	1	0	-	9	0	8	3	-	0	2	5	Vestibule door L.H. N.Y.C.	1	
6	1	0	-	9	0	8	3	-	0	2	0	Observation bulkhead N.Y.C.	1	
6	1	0	-	9	0	8	3	-	0	3	0	Observation Plaque N.Y.C.	1	
6	1	0	-	9	0	8	3	-	0	3	5	Observation awning N.Y.C.	1	

# 601-2723-000 MICROWAVE TOWER



6-65121 "027" GAUGE REMOTE SWITCH (LEFT HAND)  
 6-65122 "027" GAUGE REMOTE SWITCH (RIGHT HAND)



6-65121 "027" GAUGE REMOTE SWITCH (LEFT HAND)  
 6-65122 "027" GAUGE REMOTE SWITCH (RIGHT HAND)

(Page 2 of 2)

6SP-1122-193  
 Short Straight Rail  
 (r.h. or l.h.)

6SP-1122-195  
 Short Curve Rail (Right Hand)  
 6SP-1122-196  
 Short Curve Rail (Left Hand)

6SP-1122-041  
 Center Curve Rail (Right Hand)  
 6SP-1122-042  
 Center Curve Rail (Left Hand)

6SP-1122-190  
 Long Curve Rail (r.h.)  
 6SP-1122-191  
 Long Curve Rail (l.h.)

6SP-1122-038  
 Center Straight Rail  
 (r.h. or l.h.)

6SP-5122-219  
 Switch Base (r.h.)  
 Not Available

6SP-5121-220  
 Switch Base (l.h.)  
 Not Available

6SP-1122-186  
 Long Straight Rail (r.h.)  
 6SP-1122-187  
 Long Straight Rail (l.h.)

6SP-5122-120  
 Washer

6SP-5167-075  
 Nut

6SP-5122-053  
 Fork Lever

6SP-1122-181  
 Base Insulation  
 (r.h. or l.h.)

600-5122-200  
 Controller Complete

600-1122-217  
 Switch Bottom (Right Hand)  
 Not Available

600-1122-218  
 Switch Bottom (Left Hand)  
 Not Available