



PARTS LIST AND EXPLODED DIAGRAMS SUPPLEMENT 38

Produced by Lionel®
50625 Richard W. Boulevard
Chesterfield, MI 48051-2493

CONTENTS

O and O27 gauges

Diesel engines & Electrics

F-3 A Power

Northern Pacific (601-8132-000)

Non Powered Dummy Units

F-3 B-Unit

Northern Pacific (601-8133-000)

F-3 A-Unit

Santa-Fe (601-8134-000)

Steam Locomotive

2-8-4 Berkshire

Century 726 (610-8053-001)

Tenders

Railsounds Die Cast Metal 2426

Century Lionel Lines (691-8053-T01)

Rolling Stock Trucks

Plastic ASF type

Oper. coupler truck with cam (610-6651-050)

Oper. coupler truck (610-9150-050)

Articulating coupler trk (610-9174-050)

Plastic Archbar type

Plain truck (691-8701-T60)

Oper. coupler truck (691-8701-T70)

Articulating coupler trk (610-9551-080)

Plastic Passenger type

Articulating coupler trk (610-6403-050)

Die Cast Metal Six Wheel Irvington type

Operating coupler truck with roller (610-9015-100)

without roller (610-9011-100)

Copyright© 1997
By Lionel
All Rights Reserved

Lionel® and American Flyer® are the registered trademarks of Lionel, Chesterfield Michigan

This supplement is designed to fit with two different publications, the *Lionel Service Manual 1986 to 1997* and *Lionel Parts List and Exploded Diagrams*.

Each page has two numbers. The number for the *Lionel Service Manual* is indicated by parentheses, e.g., (B-75). The number which applies to *Lionel Parts lists and Exploded Diagrams* is above the parentheses, e.g., S38-1-1

**INDEX TO
LIONEL PARTS LISTS AND EXPLODED DIAGRAMS
SUPPLEMENT 38**

ALPHABETICAL INDEX

**O AND 027 GAUGES
DIESEL ENGINES**

POWER UNITS

F-3 A Power S38:1-1,2,3
601-8132-000 Northern Pacific

NON-POWERED DUMMY UNITS

F-3 B-unit S38:2-1,2,3
601-8133-000 Northern Pacific
F-3 A-unit S38:2-4,5,6
601-8134-000 Santa Fe

STEAM LOCOMOTIVES

2-8-4 Berkshire S38:3-1,2,3,4,5
610-8053-001 Century No. 726

TENDERS

Railsounds D/C Metal 2426 S38:4-1,2,3
691-8053-T01 Century Lionel Lines

ROLLING STOCK TRUCKS

Plastic Archbar type S38:15-4
691-8701-T60 Plain truck
691-8701-T70 Operating coupler truck
610-9551-080 Articulating coupler truck

Plastic ASF type S38:15-3
610-9174-050 Articulating coupler truck

Plastic ASF type S38: 15-1,2
610-9150-050 Operating coupler truck
610-6651-050 Oper. coupler truck with cam

Plastic Passenger type S38: 15-5
610-6403-050 Articulating coupler truck

D/C metal Irvington six wheel type S38:15-6
610-9015-100 Oper. coupler truck w/ roller
610-9011-100 Oper. coupler trk w/o roller

NUMERICAL LISTINGS

601-8132-000	S38: 1-1,2,3	610-9015-100	S38: 15-6
601-8133-000	S38: 2-1,2,3	610-9150-050	S38: 15-1,2
601-8134-000	S38: 2-4,5,6	610-9174-050	S38: 15-3
610-6403-050	S38: 15-5	610-9551-080	S38: 15-4
610-6651-050	S38: 15-2	691-8053-T01	S38: 4-1,2,3
610-8053-001	S38: 3-1,2,3,4,5	691-8701-T60	S38: 15-4
610-9011-100	S38: 15-6	691-8701-T70	S38: 15-4

LIONEL SERVICE MANUAL

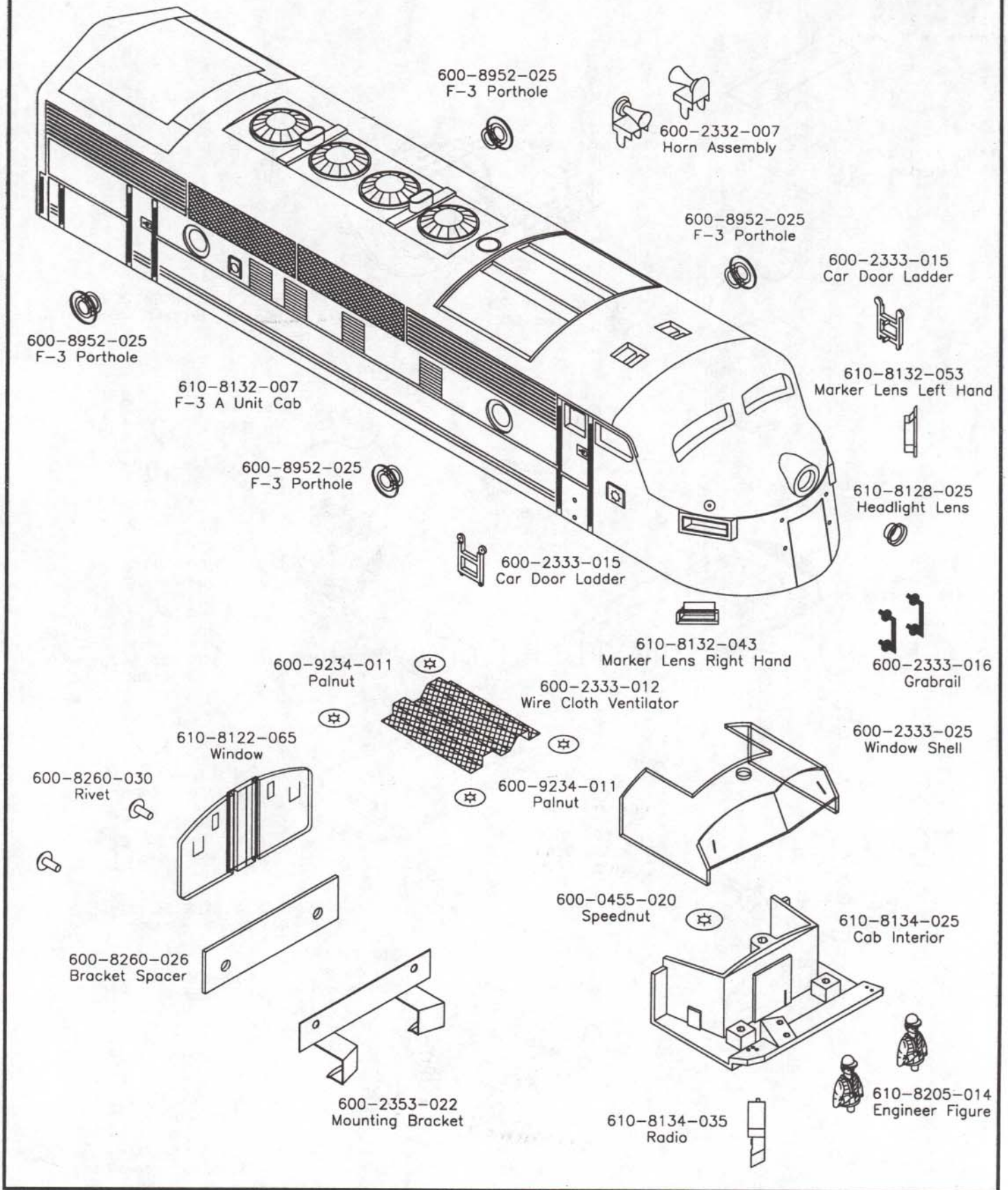
INDEX BY LETTER

SUPPLEMENT 38

Description	Drawing
Diesel Locomotives Power Units	
F-3 A Power.....	(B-75,2,3)
601-8132-000 Northern Pacific	
Non-powered Dummy Units	
F-3 B-unit	(C-63,2,3)
601-8133-000 Northern Pacific	
F-3 A-unit	(C-64,2,3)
601-8134-000 Santa-Fe	
Steam Locomotives	
2-8-4 Berkshire.....	(A-69,2,3,4,5)
610-8053-001 Century No. 726	
Tenders	
Railsounds Die-cast metal 2426.....	(C-65,2,3)
691-8053-T01 Century Lionel Lines	
Rolling Stock Trucks	
Plastic ASF type.....	(D-67,2)
610-9150-050 Operating coupler truck	
610-6651-050 Operating coupler truck with cam	
Plastic Articulating ASF type.....	(D-68)
610-9174-050 Articulating coupler truck	
Plastic Archbar type.....	(D-69)
691-8701-T60 Plain truck	
691-8701-T70 Operating coupler truck	
610-9551-080 Articulating coupler truck	
Plastic Passenger type.....	(D-70)
610-6403-050 Articulating coupler truck	
Die-cast Metal Irvington Six Wheel type	(D-71)
610-9015-100 Operating coupler truck with roller	
610-9011-100 Operating coupler truck without roller	

F-3 A COMMAND EQUIPPED POWER UNIT 601-8132-000 NORTHERN PACIFIC

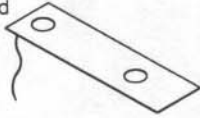
(Page 1 of 3)



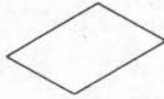
F-3 A COMMAND EQUIPPED POWER UNIT 601-8132-000 NORTHERN PACIFIC

(Page 2 of 3)

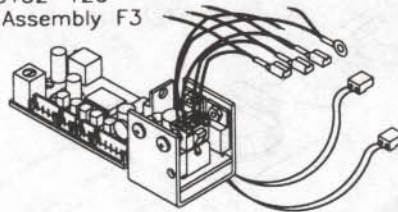
610-8132-326
Antenna with Lead



600-2321-146
Reflector



610-8132-126
LCRU-2 Assembly F3



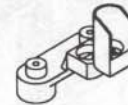
610-8049-300
Lamp



600-9290-017
Lead 5.0 Black

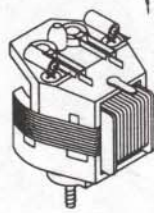


610-8128-250
Stand-Off



610-8128-035
Bracket-Cab Light

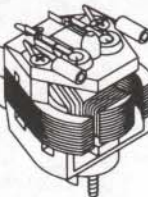
600-2028-100
Motor Assembly



600-8002-123
Screw



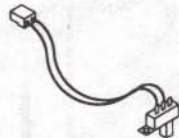
600-9290-017
Lead 5.0 Black



610-8301-055
Cable Tie

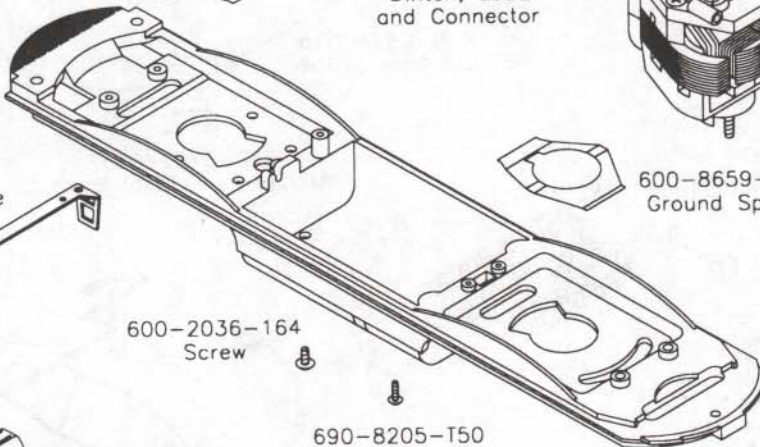


600-8659-335
Ground Spring



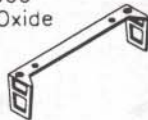
610-8221-136
Switch, Lead
and Connector

610-8132-034
F-3 Dual Motor
Frame Assembly

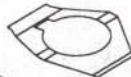


600-2028-100
Motor Assembly

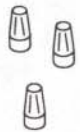
610-8121-060
Ladder Black Oxide



600-8659-335
Ground Spring



610-9001-030
Wire Nut



600-2036-164
Screw



610-8045-545
Lead and Connector



690-8205-T50
Screw



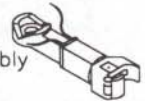
600-2321-164
Coupler Head Shaft



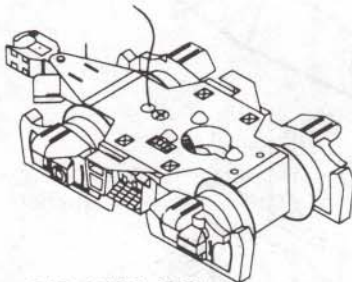
818-5101-092
Screw
(Cab Light)



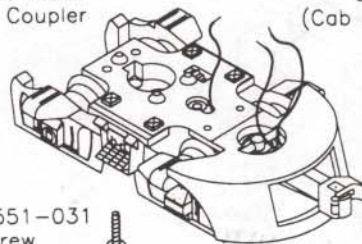
610-8129-550
Coil Coupler Assembly



610-8132-590
F-3 Rear Motor Truck



610-8132-570
F-3 Front Truck
with Coil Coupler



610-8401-030
Screw
(Cab Mounting)



690-671M-023
Washer



600-8551-031
Screw



600-1615-093
Spring



600-8551-031
Screw



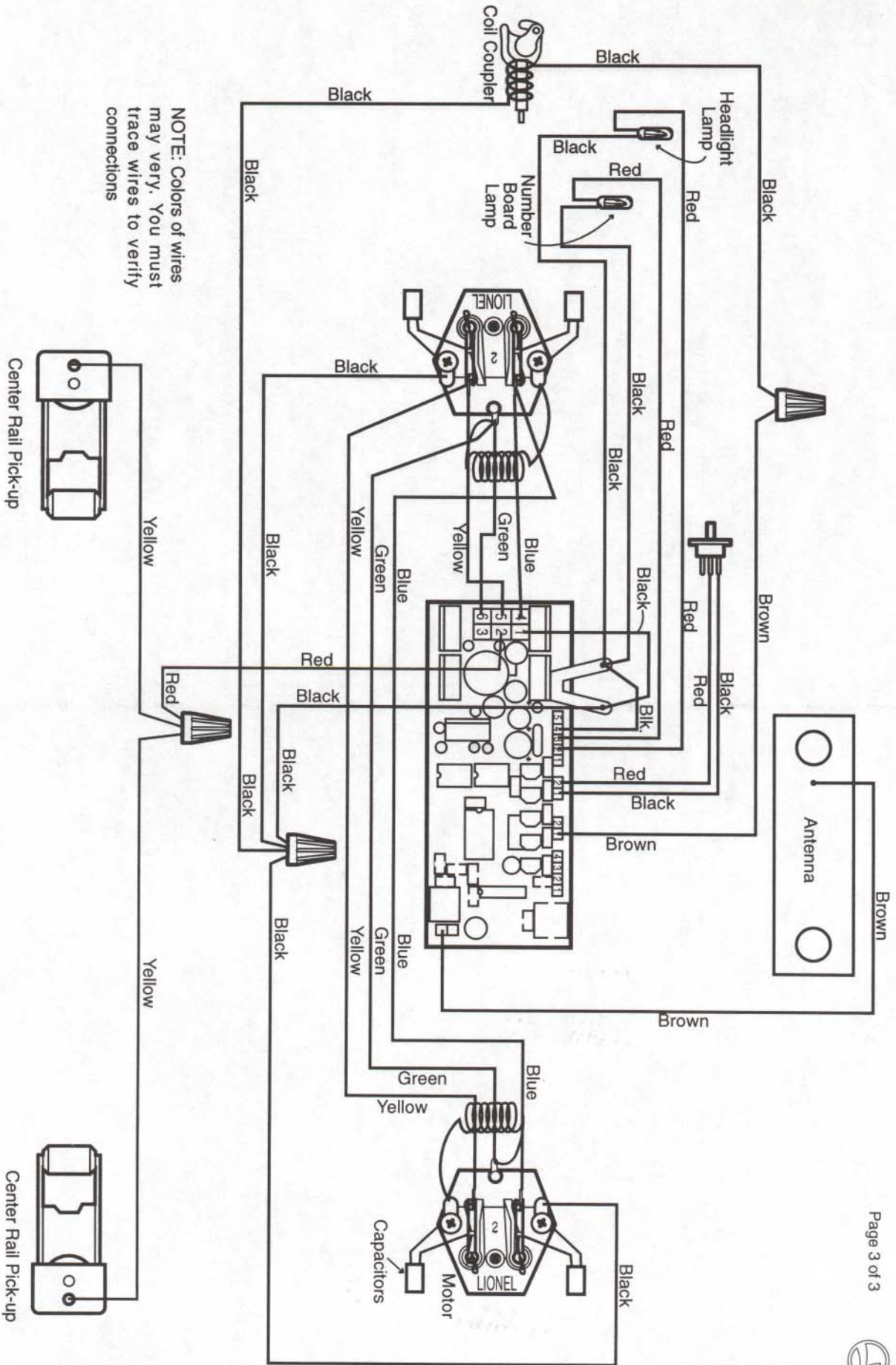
600-8250-035
Fiber Washer



690-671M-022
Retaining Ring

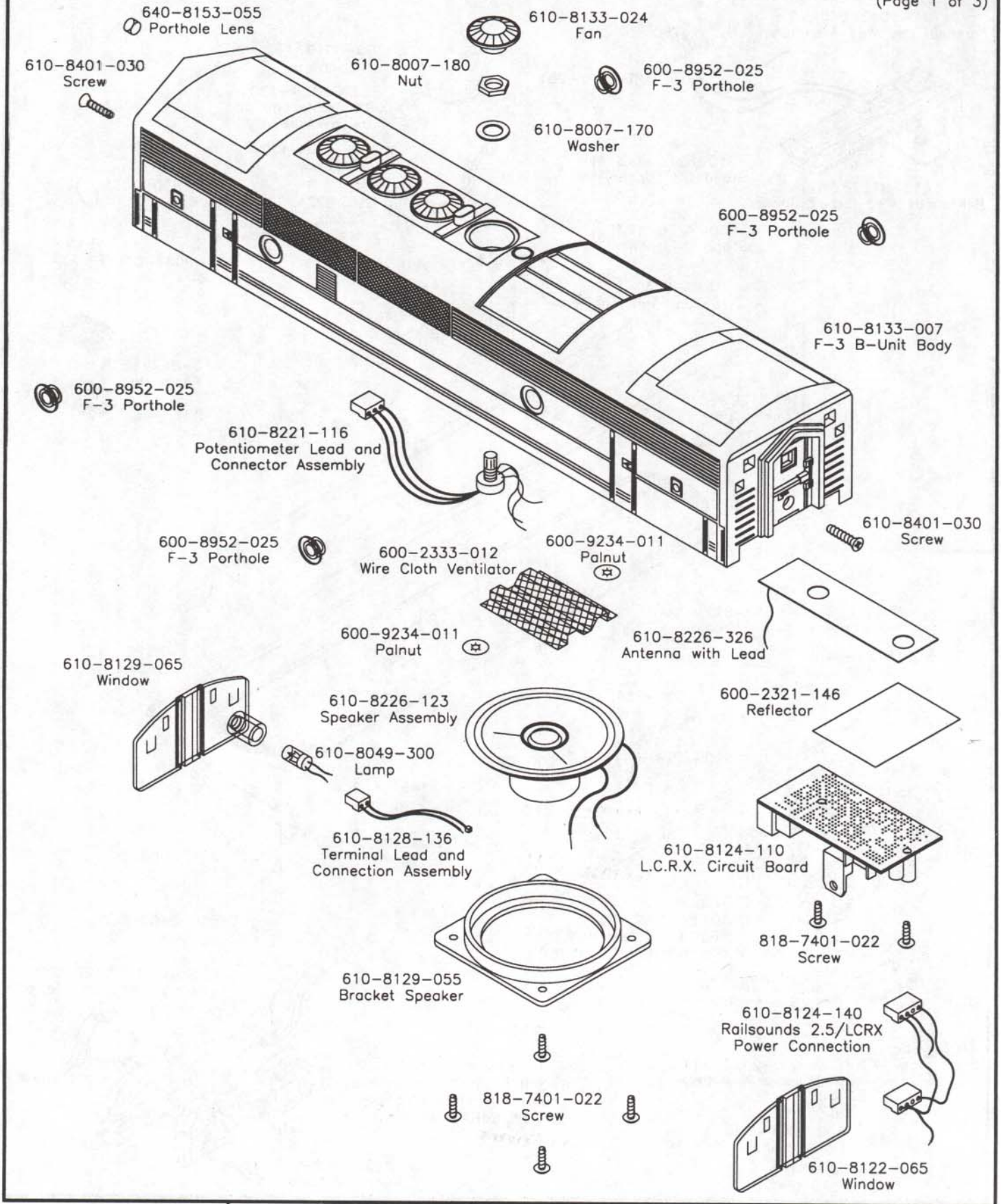


601-8132-000 F-3 A POWER UNIT COMMAND EQUIPPED WIRING SCHEMATIC



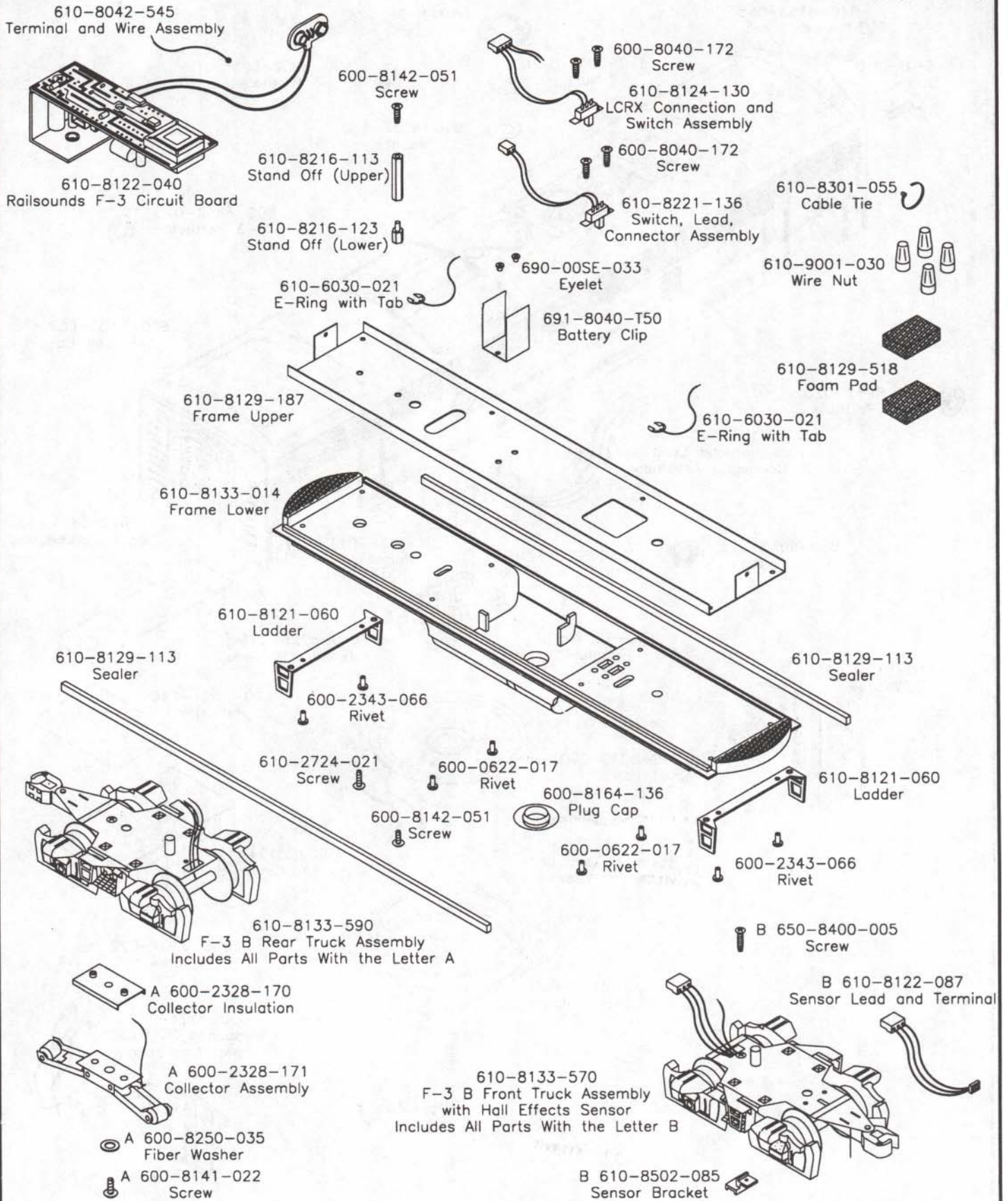
F-3 B-UNIT WITH RAILSOUNDS COMMAND EQUIPPED 601-8133-000 NORTHERN PACIFIC

(Page 1 of 3)



F-3 B-UNIT WITH RAILSOUNDS COMMAND EQUIPPED 601-8133-000 NORTHERN PACIFIC

(Page 2 of 3)

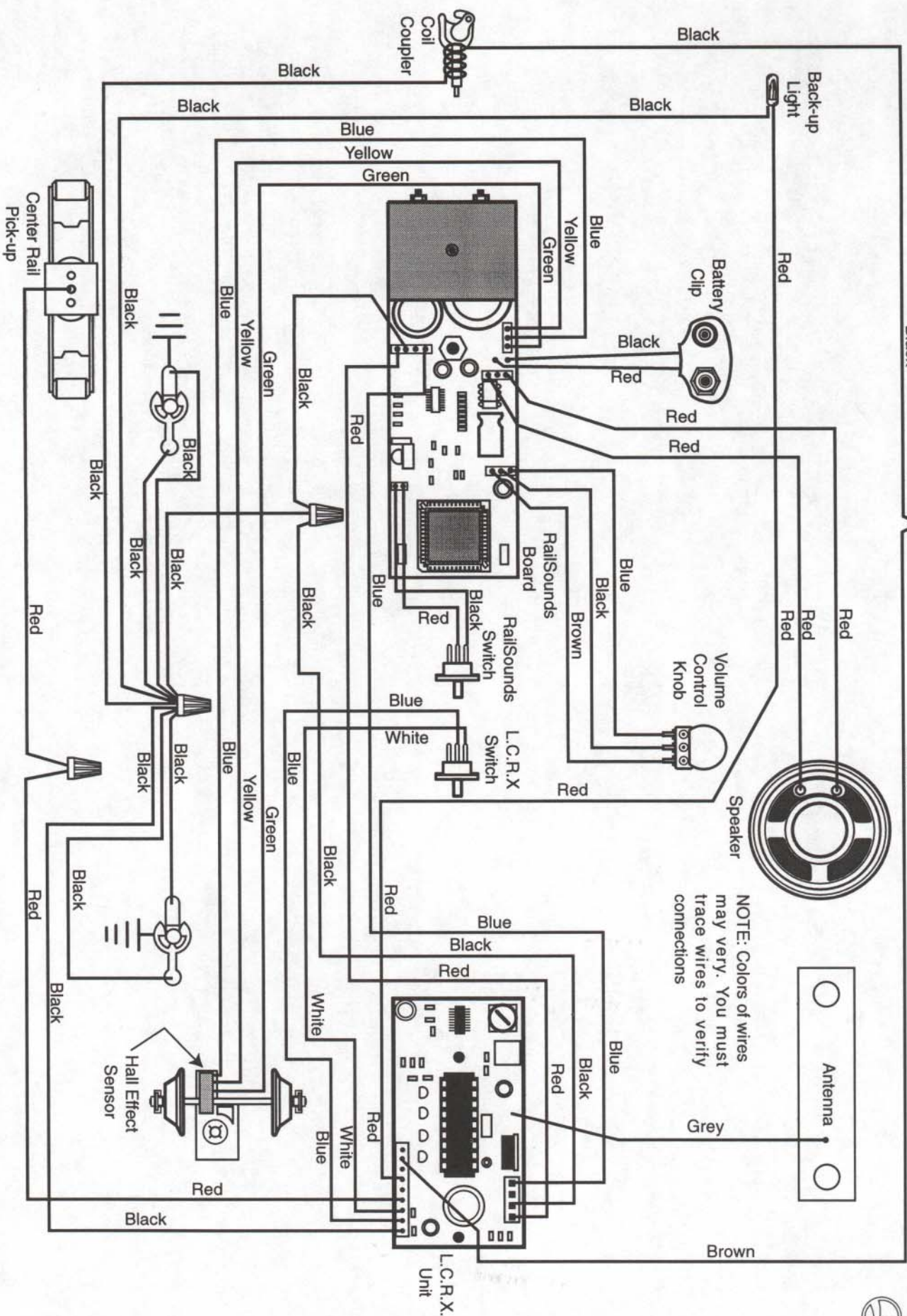


601-8133-000 F-3 B-UNIT COMMAND EQUIPPED WITH RAILSOUNDS II WIRING SCHEMATIC

Black

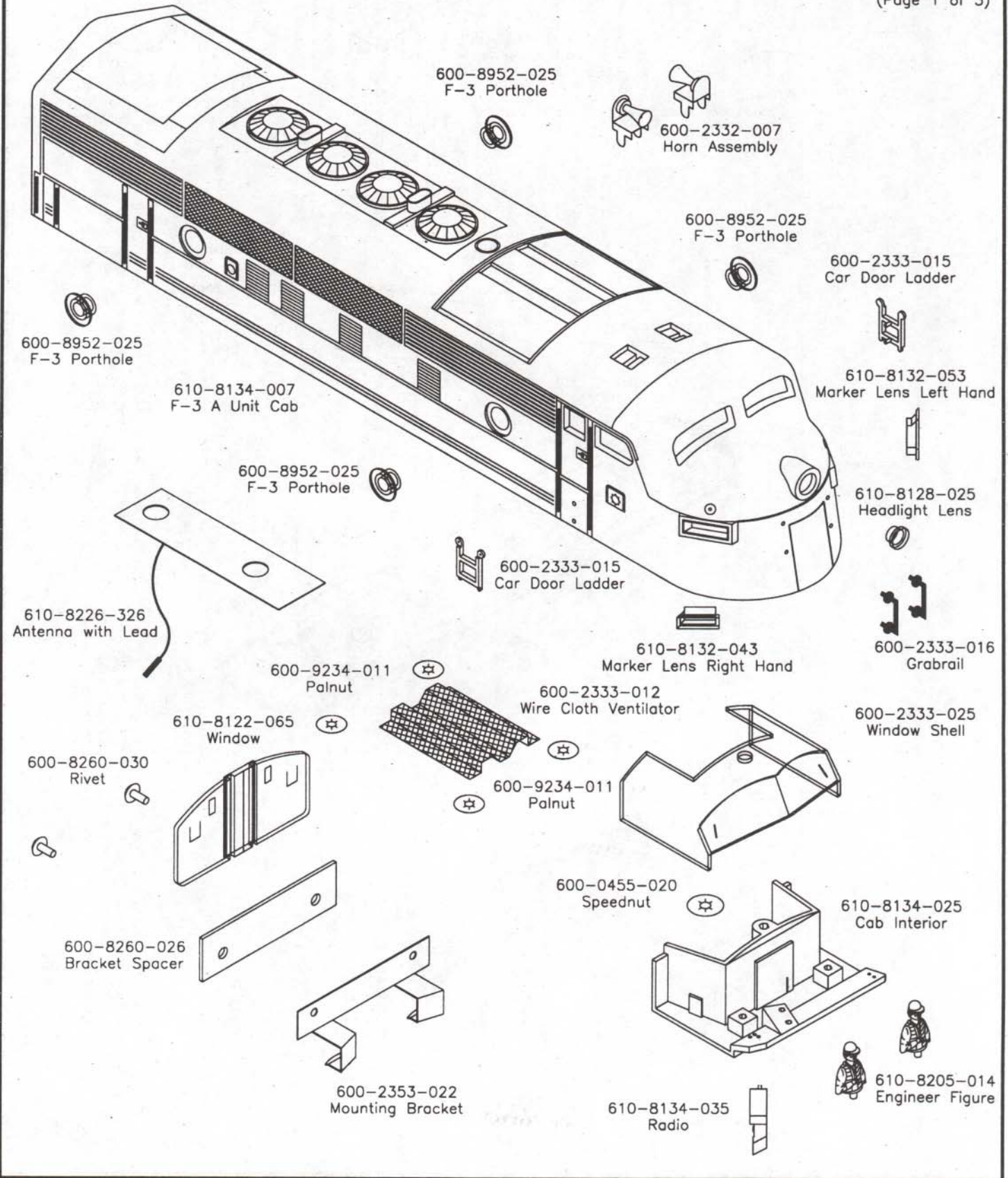
Brown

Page 3 Of 3



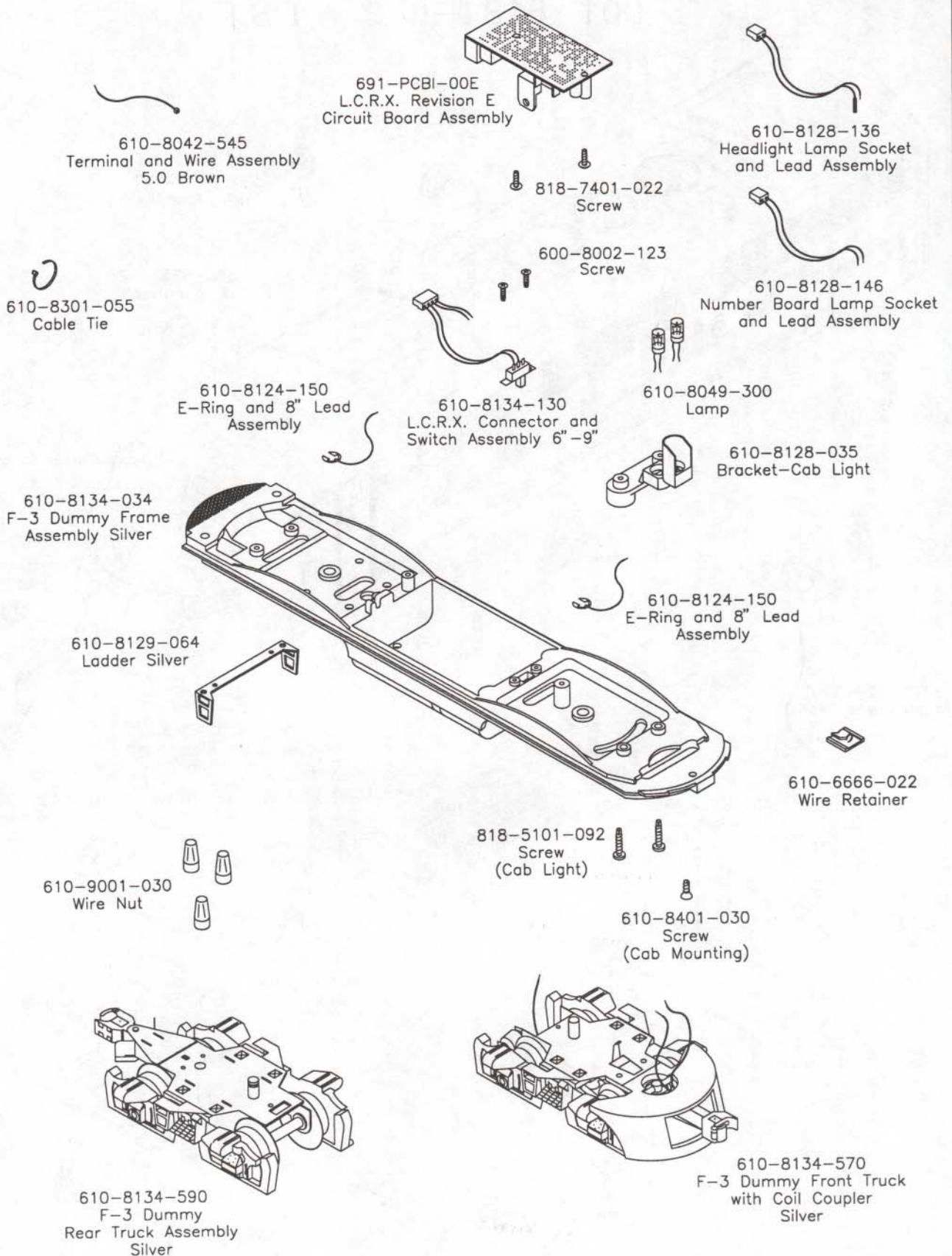
F-3 A COMMAND EQUIPPED NON-POWERED UNIT WITH COIL COUPLER 601-8134-000 A.T.S.F.

(Page 1 of 3)



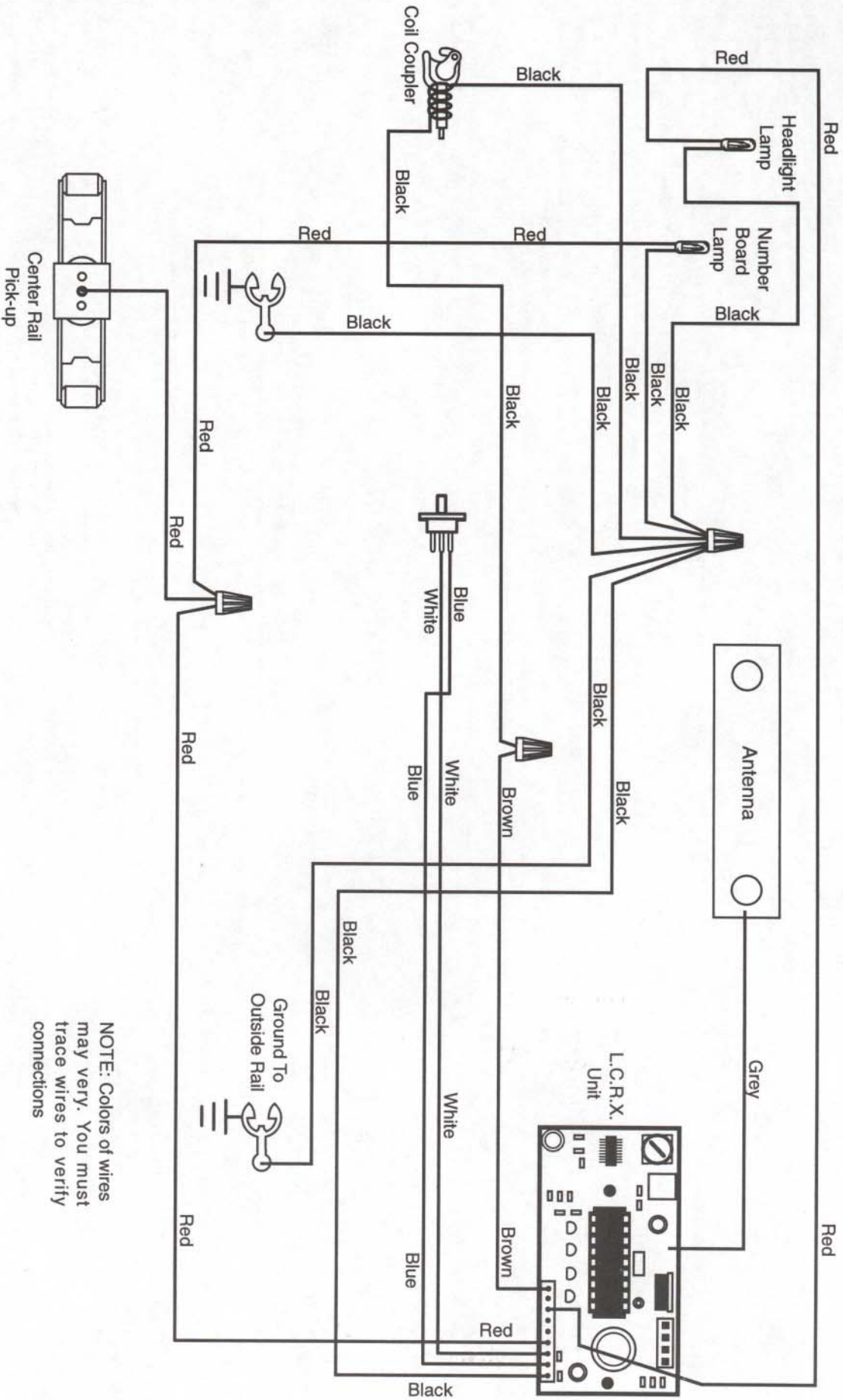
F-3 A COMMAND EQUIPPED NON-POWERED UNIT WITH COIL COUPLER
601-8134-000 A.T.S.F.

(Page 2 of 3)



601-8134-000 A.T.S.F. F-3 A UNIT NON-POWERED WITH COIL COUPLER COMMAND CONTROLLED L.C.R.X. WIRING SCHEMATIC

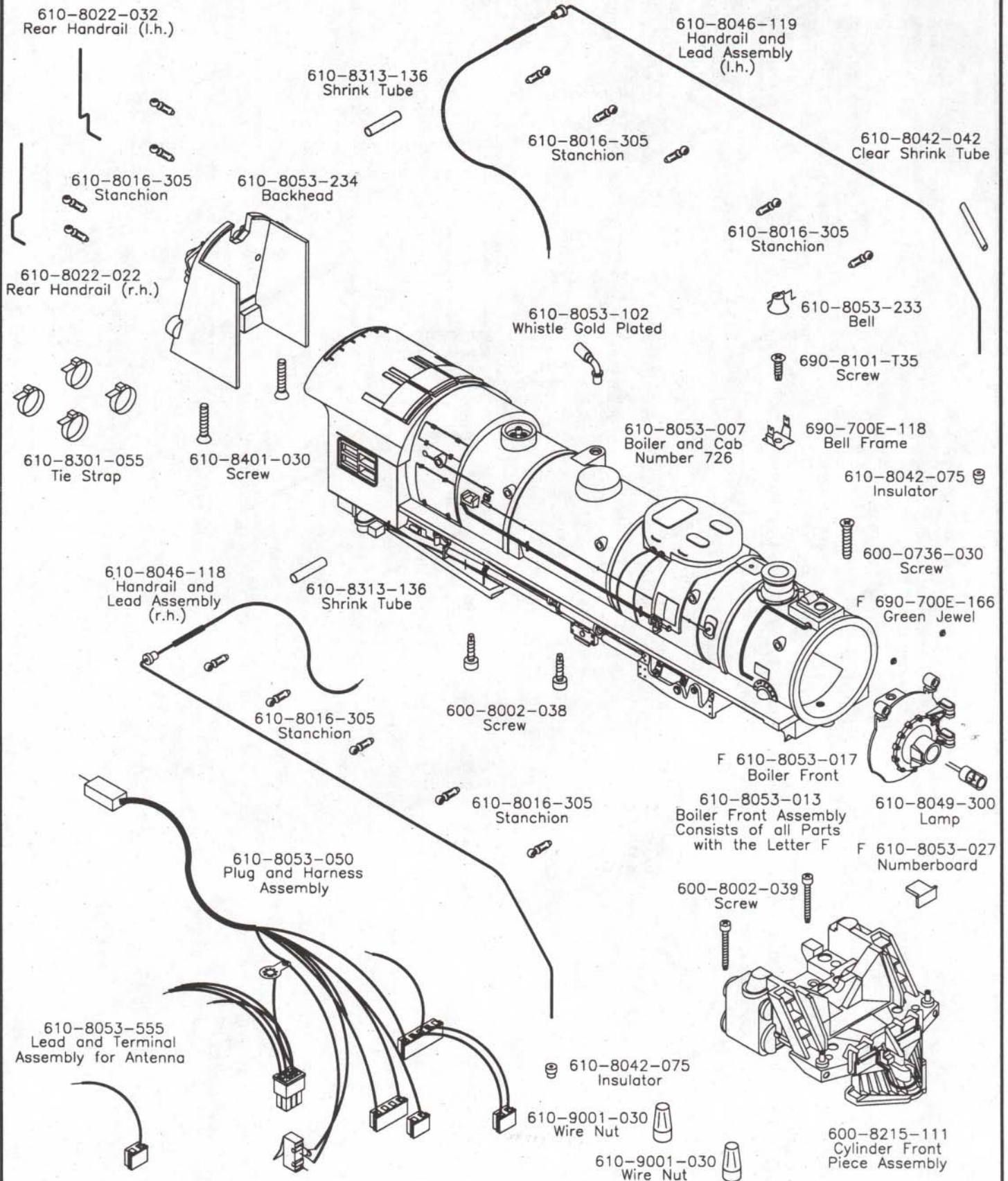
Page 3 of 3



NOTE: Colors of wires may vary. You must trace wires to verify connections

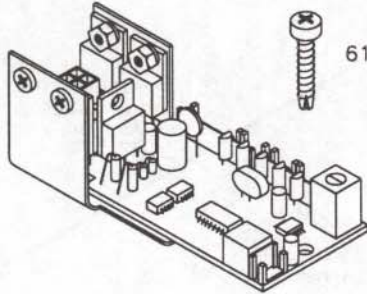
2-8-4 BERKSHIRE LOCOMOTIVE 610-8053-001

(Page 1 of 5)



2-8-4 BERKSHIRE STEAM LOCOMOTIVE 610-8053-001

610-8049-126
L.C.R.U.



610-2737-006
Screw

600-8002-037
Valve Gear Assembly (l.h.)
Consists of all Parts
with the Letter B
Except 690-226E-051
Combination Lever (r.h.). It
uses E 690-226E-013
Combination Lever (l.h.)

B 690-700E-053
Eccentric Pin

600-8010-165
Screw



610-8049-075
Spacer

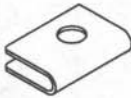


B 690-226E-019
Eccentric Crank

B 690-1664-E04
Eccentric Rod

B 690-700E-054
Eccentric Rivet

610-8049-020
L.C.R.U. Mounting
Bracket



600-8002-510
Valve Hanger Assembly
Consists of all Parts
with the Letter A

A 600-8002-129
Valve Hanger

A 600-1695-022
Rivet

B 690-700E-055
Valve Stem Rivet
E 690-226E-013
Combination Lever
(l.h.)

A 600-8002-036
Valve Gear Assembly (r.h.)
Consists of all Parts
with the Letter B

B 690-226E-051
Combination Lever (r.h.)

B 690-226E-018
Valve Stem

A 690-1666-E83
Crosshead Guide

B 690-226E-019
Eccentric Crank

A 600-1695-022
Rivet

B 690-226E-018
Valve Stem

A 600-0076-016
Shoulder Rivet

A 690-1666-E83
Crosshead Guide

B 690-700E-053
Eccentric Pin

B 690-700E-055
Valve Stem Rivet

A 600-0076-016
Shoulder Rivet

610-0736-030
Eccentric Crank
Screw

B 690-700E-054
Eccentric Rivet

B 690-1664-E04
Eccentric Rod

610-0736-012
Shoulder Screw

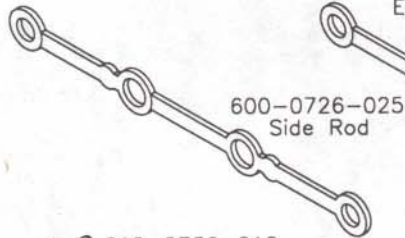
600-0726-034
Main Rod Assembly (l.h.)
Consists of all Parts
with the Letter C

610-0736-012
Shoulder Screw

600-0726-039
Eccentric Crank
Sleeve

610-0736-012
Shoulder Screw

600-0726-039
Eccentric Crank
Sleeve



600-0726-025
Side Rod

610-0736-012
Shoulder Screw

610-0736-030
Eccentric Crank
Screw

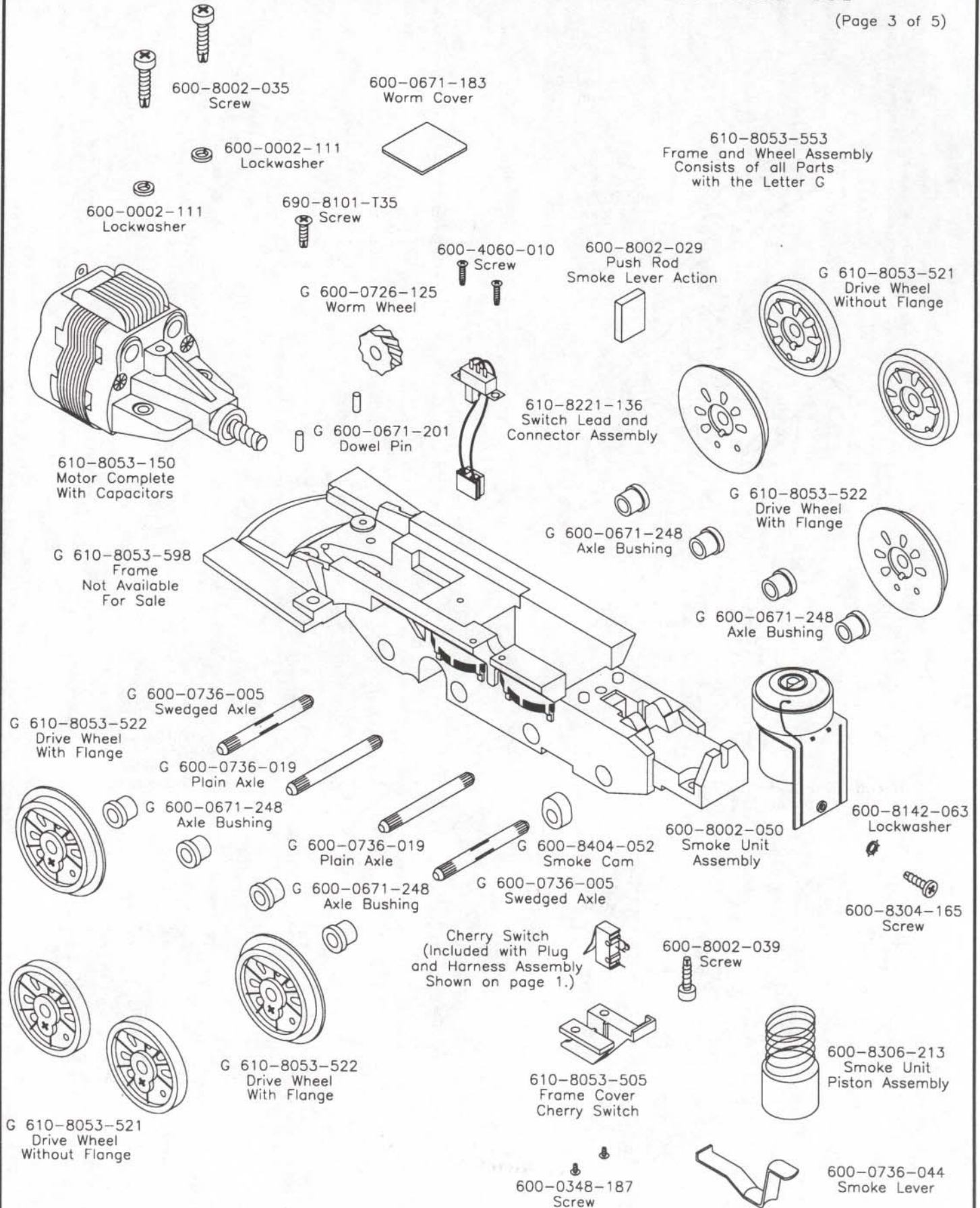
600-0726-042
Main Rod Assembly (r.h.)
Consists of all Parts
with the Letter C

C 600-0726-035
Main Rod

C 600-0726-049
Screw

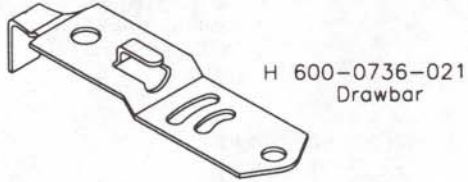
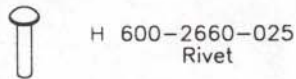
C 600-8600-066
Crosshead

2-8-4 BERKSHIRE STEAM LOCOMOTIVE 610-8053-001

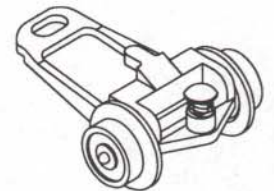
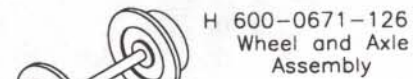
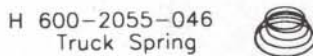
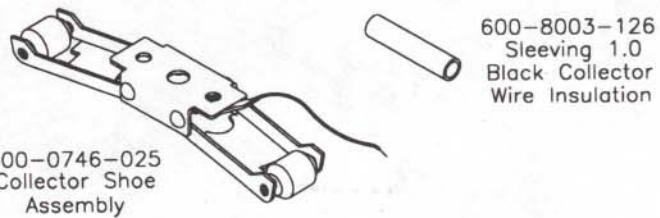
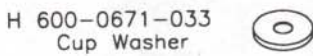
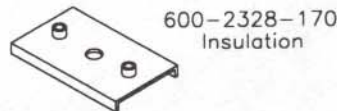
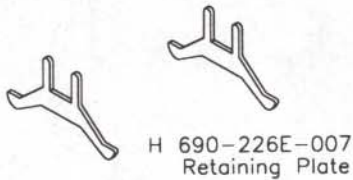
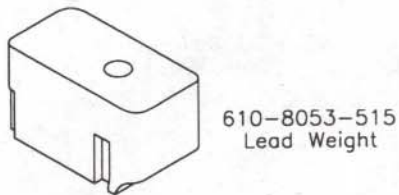
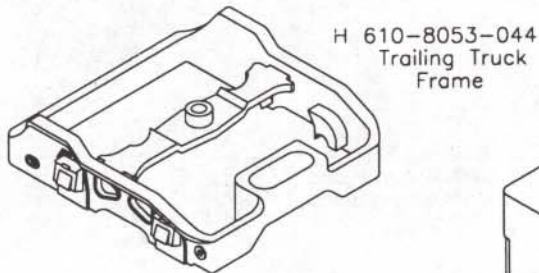


2-8-4 BERKSHIRE STEAM LOCOMOTIVE 610-8053-001

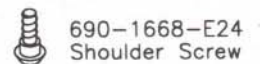
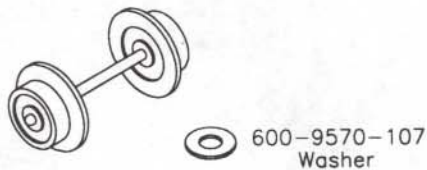
(Page 4 of 5)



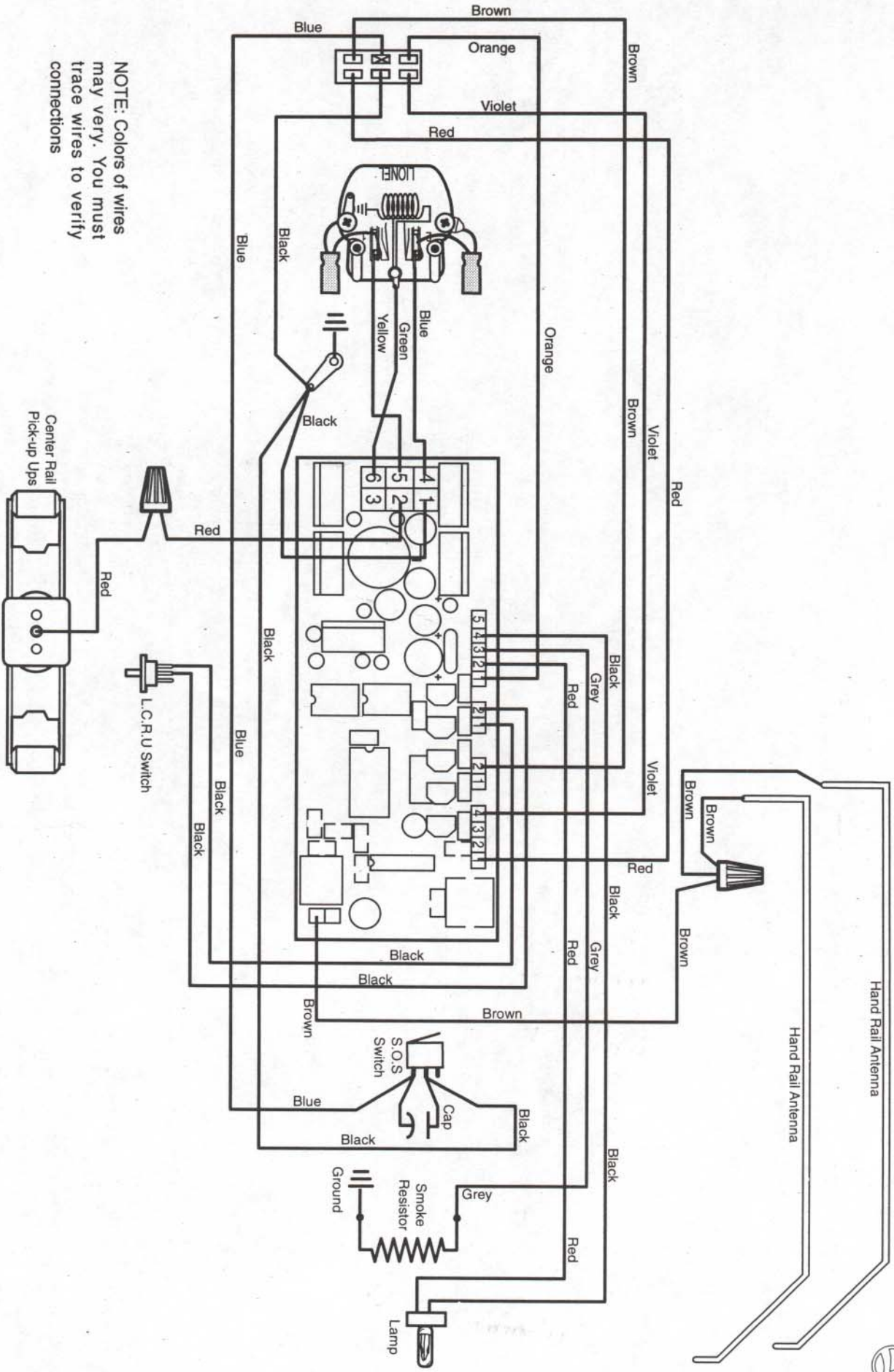
610-8053-043
Trailer Truck Complete
Consists of all Parts
with the Letter H



690-226E-088
Front Truck Assembly



610-8053-001 CENTURY BERKSHIRE LOCOMOTIVE WIRING SCHEMATIC

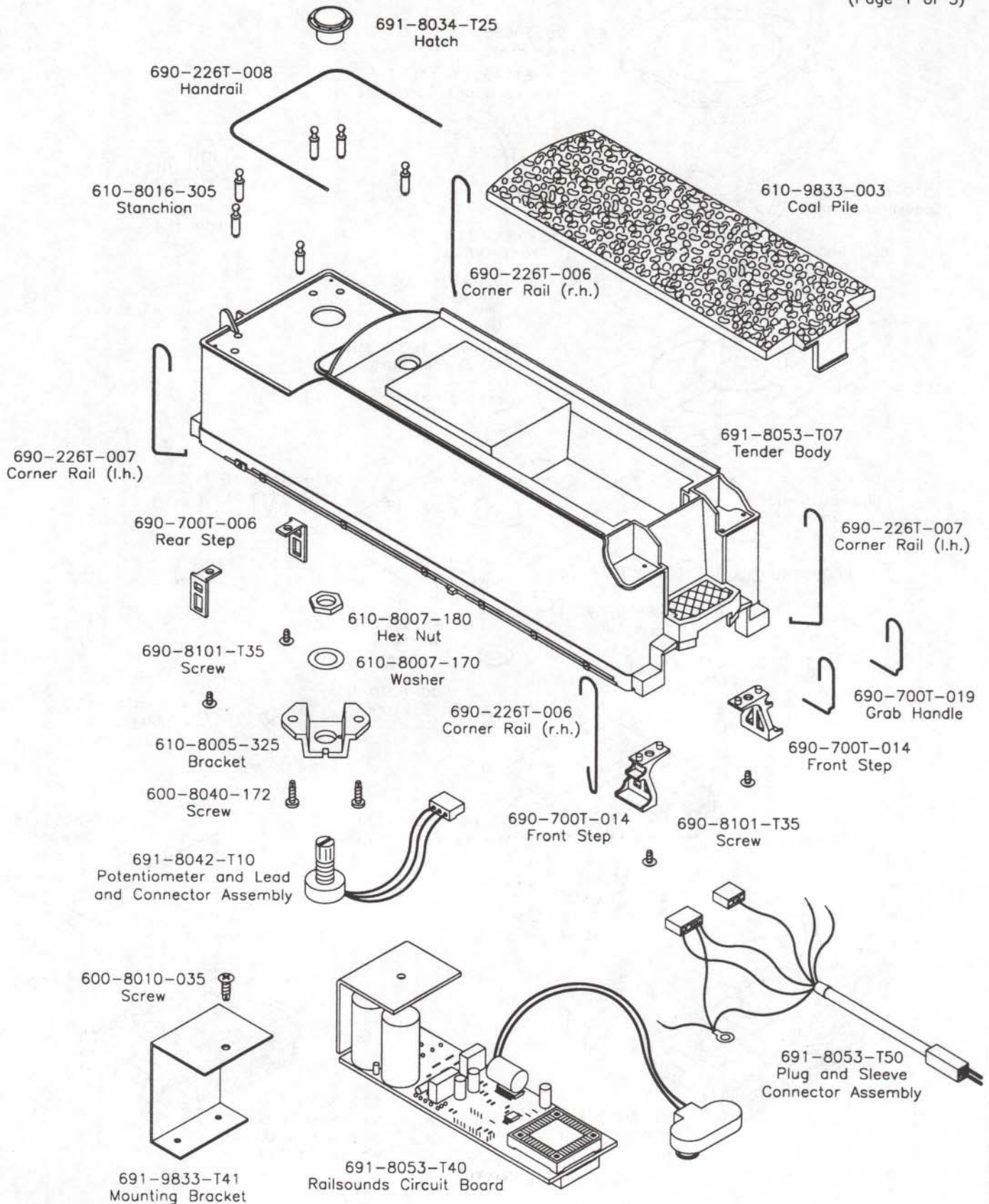


NOTE: Colors of wires may vary. You must trace wires to verify connections



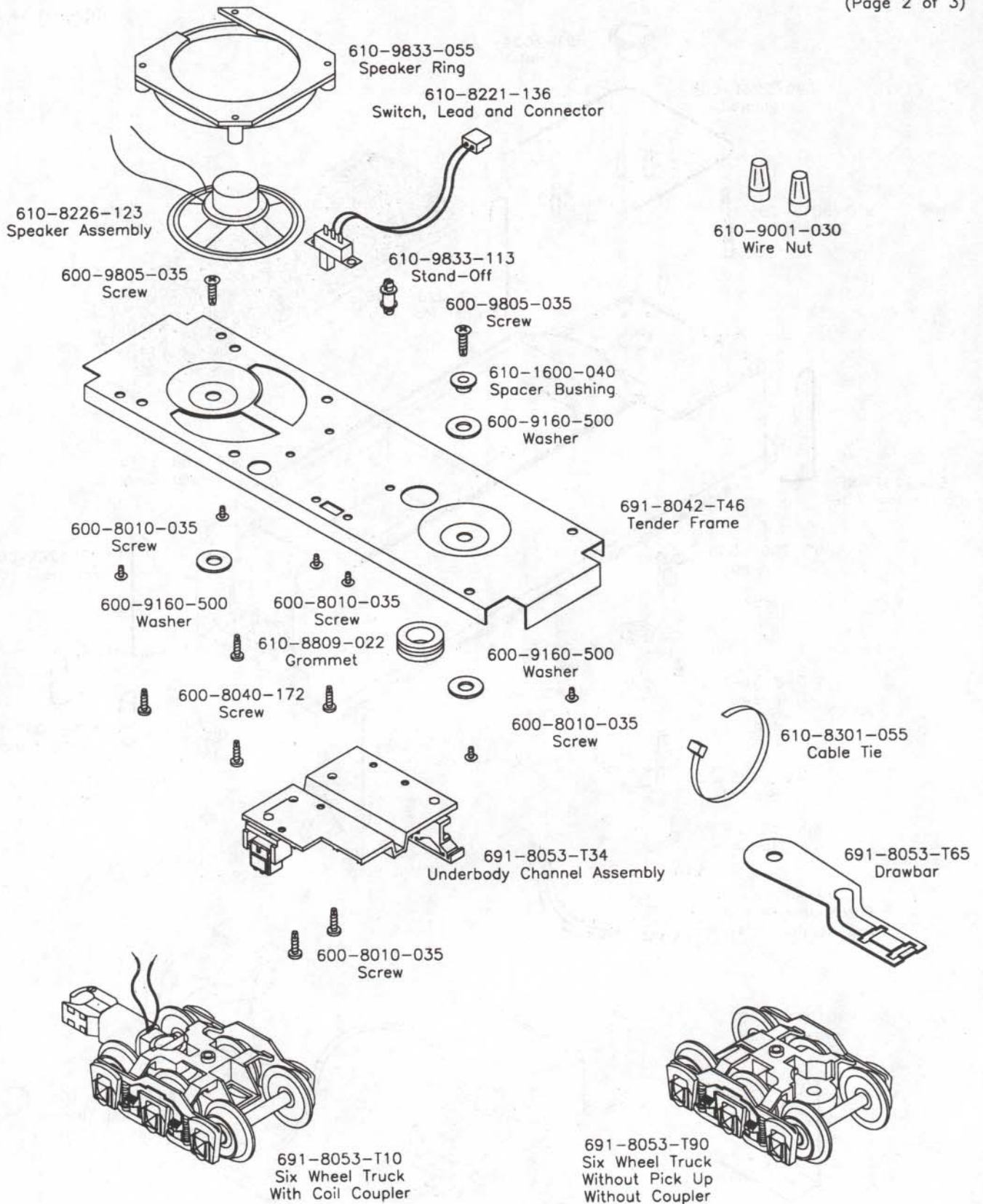
691-8053-T01 CENTURY BERKSHIRE TENDER WITH RAILSOUNDS 2.5

(Page 1 of 3)



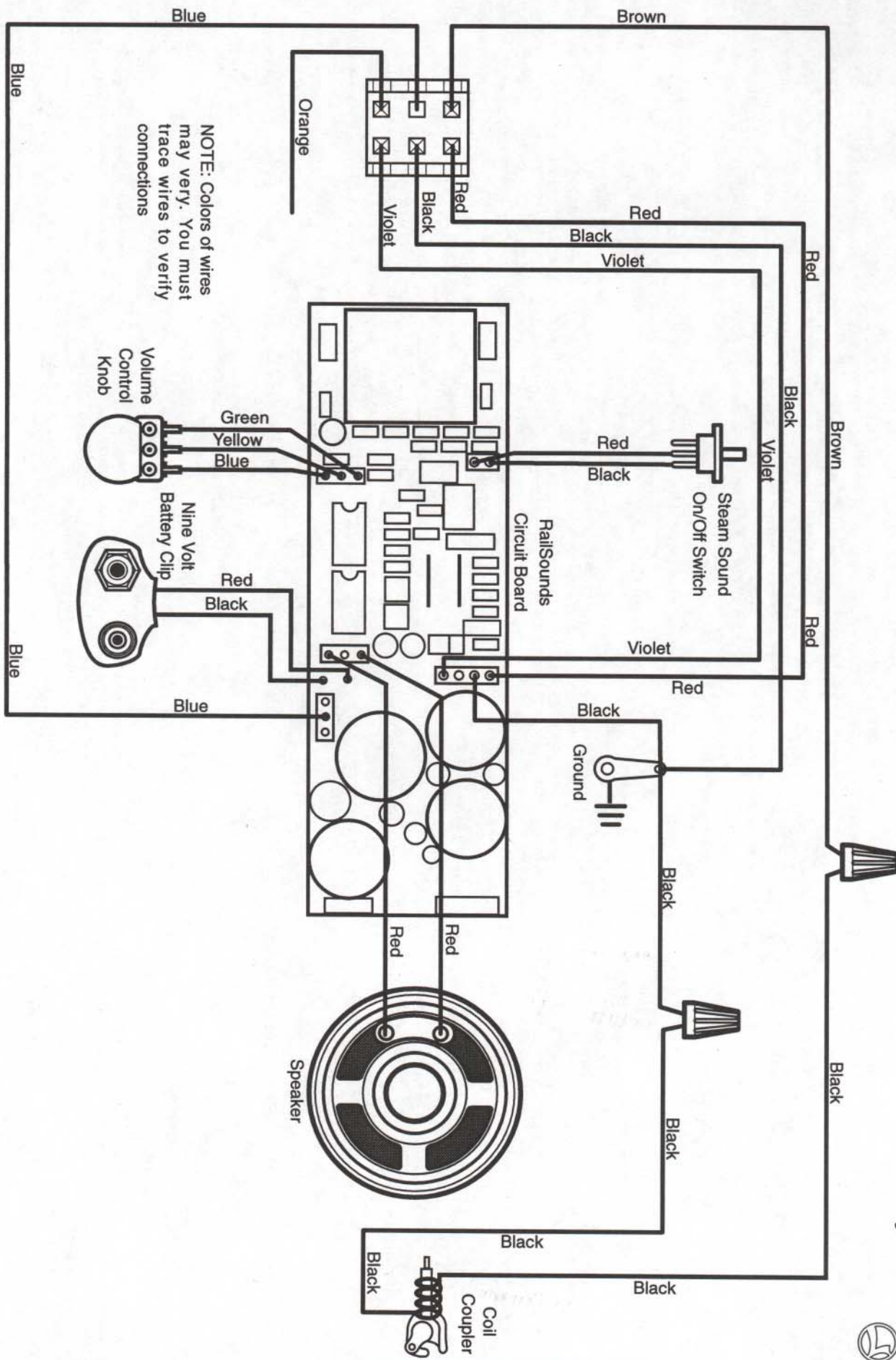
691-8053-T01 BERKSHIRE TENDER WITH RAILSOUNDS 2.5

(Page 2 of 3)



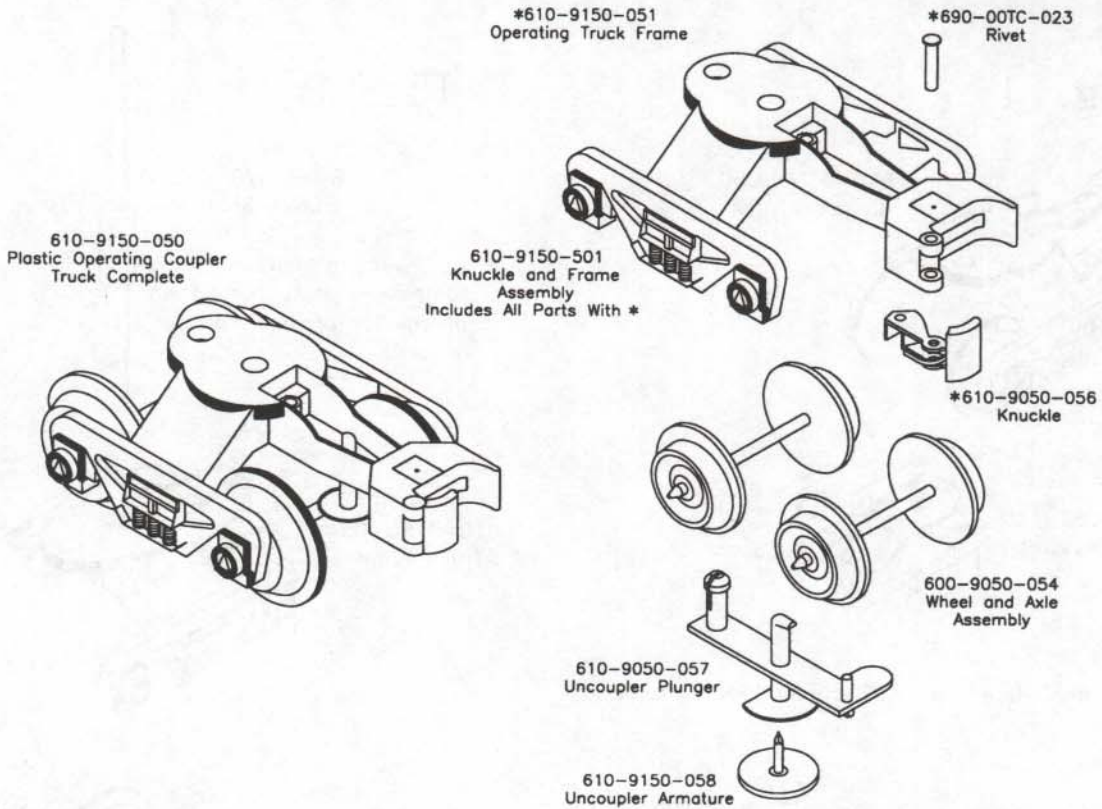
691-8053-T01 CENTURY BERKSHIRE TENDER WITH RAILSOUND 2.5 WIRING SCHEMATIC

Page 3 Of 3

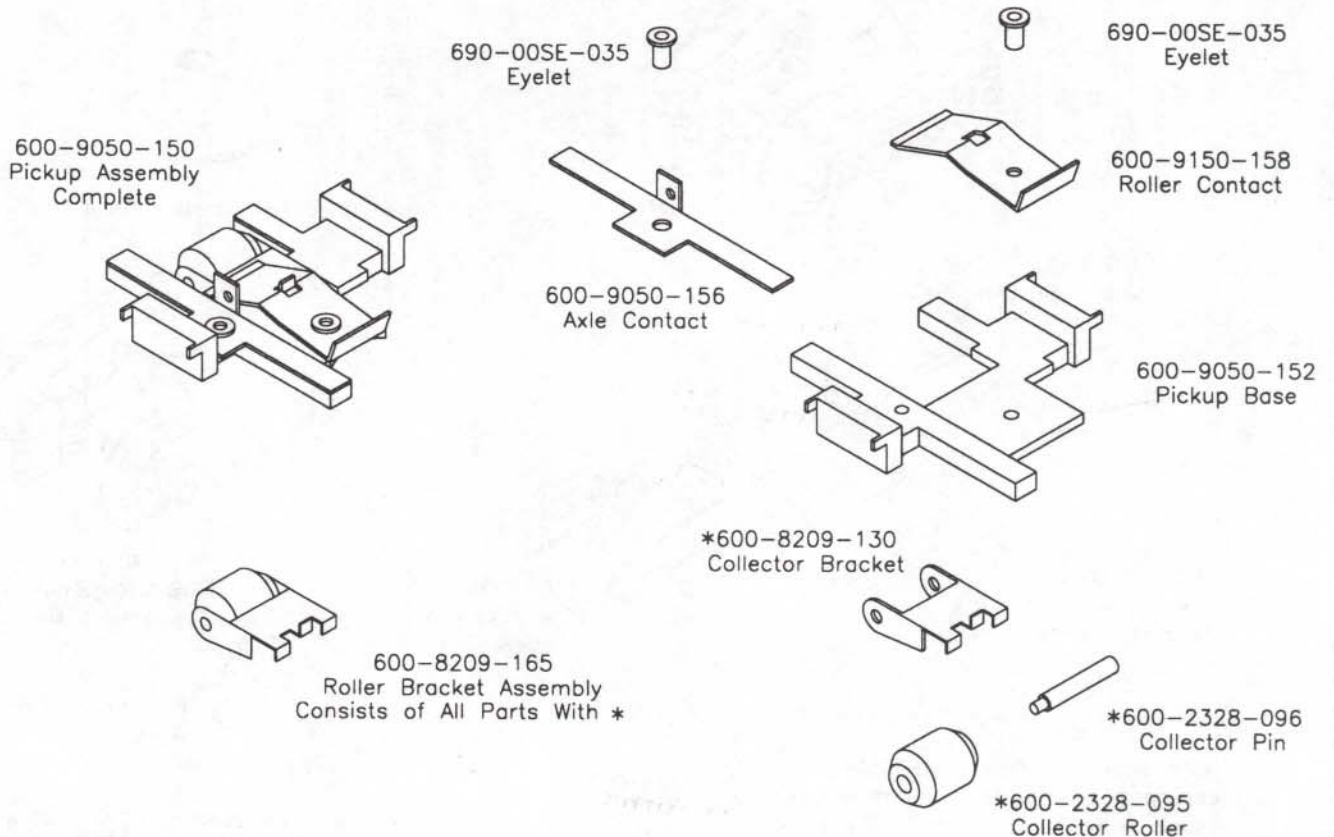


NOTE: Colors of wires may vary. You must trace wires to verify connections

610-9150-050 PLASTIC OPERATING TRUCK

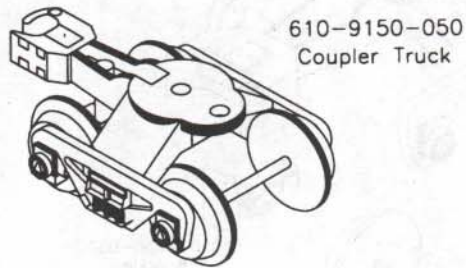


600-9050-150 PICKUP ASSEMBLY



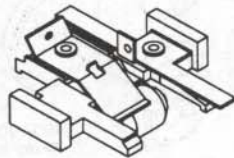
610-9150-050 TRUCK VARIOUS APPLICATIONS

Fig. 1



610-9150-050
Coupler Truck

600-9050-150
Pickup Assembly



Above When Used As an Electrical Pickup Truck.

Fig. 2

610-6670-028
Drive Shaft



Note: Drive Shaft shown is sample. Refer to breakdown of car for proper shaft required.

610-9150-051
Truck Frame

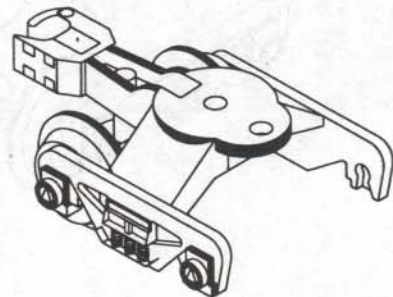
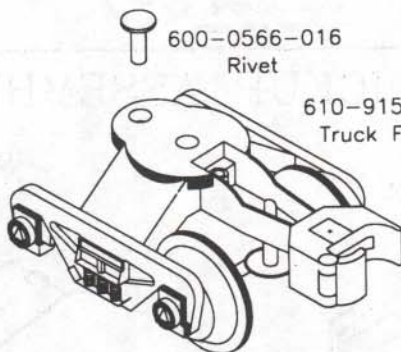


Fig. 3

600-0566-016
Rivet

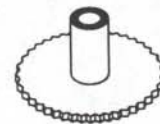
610-9150-051
Truck Frame



610-6652-054
Worm Gear and
Wheel and Axle
Assembly

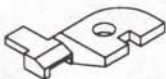


610-6652-075
Drive Spur Gear

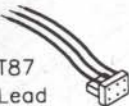


Above When Used For Rotating Drive Mechanisms.

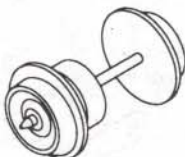
610-6631-085
Sensor Bracket



691-8000-T87
Sensor with Lead



610-6631-054
Wheel Axle and
Magnet Assembly

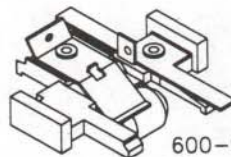


Above when used with Railsounds I Boxcars.

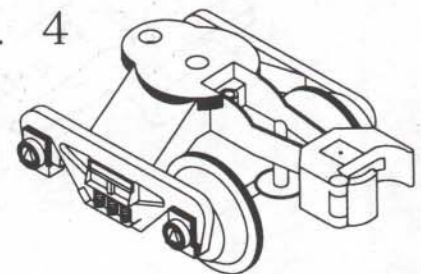
Note: When installing 600-9050-150 in this application Pickup Assembly must go on as shown, with Pickup Roller in the same direction as Coupler.

Fig. 4

600-9050-150
Pickup Assembly
Complete



610-6651-050
Truck Assembly with Cam
Includes 610-6651-100



610-6651-100
Wheel and Axle
Assembly with Cam

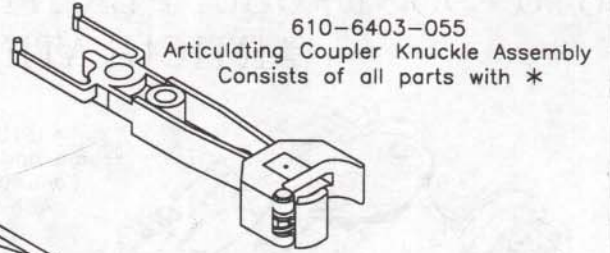


Above When Used with the Outlaw Car. The Assembly Becomes 610-6651-050.

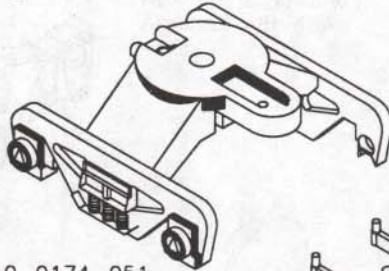
610-9174-050 PLASTIC OPERATING ARTICULATING COUPLER TRUCK



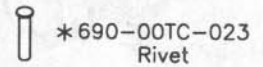
610-9174-050
Plastic Articulating Operating
Coupler Truck Complete



610-6403-055
Articulating Coupler Knuckle Assembly
Consists of all parts with *

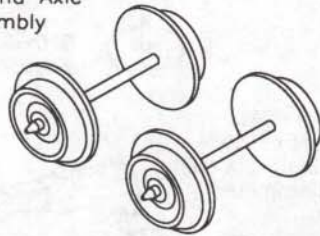


610-9174-051
Plain Truck Frame

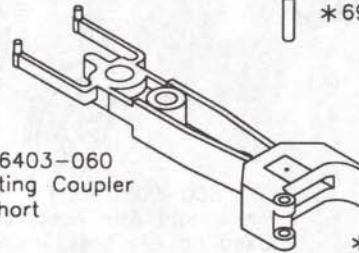


* 690-00TC-023
Rivet

600-9050-054
Wheel and Axle
Assembly



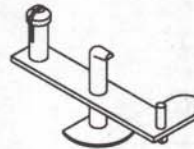
* 610-6403-060
Articulating Coupler
Short



* 610-9050-056
Knuckle



610-9050-057
Uncoupler Plunger



610-6000-022
Washer

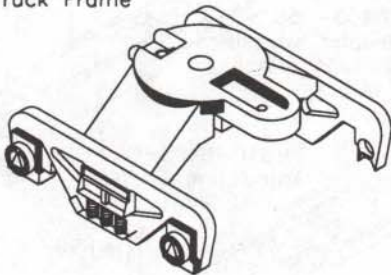


610-9150-058
Uncoupler Armature

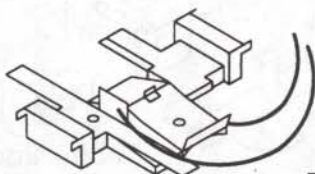
600-8240-071
Screw



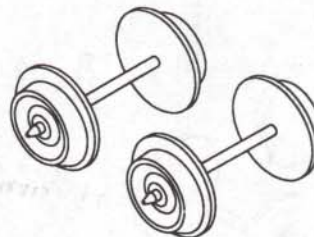
610-9174-051
Truck Frame



In This Application:
The Truck is used on the Front of Tenders
and the Ends of some Caboose and the
Center of T.T.U.X. and Maxi Stack Cars.
There is no Assembly Number. You Must
Order Truck Frame and Wheel and Axle
Assemblies.

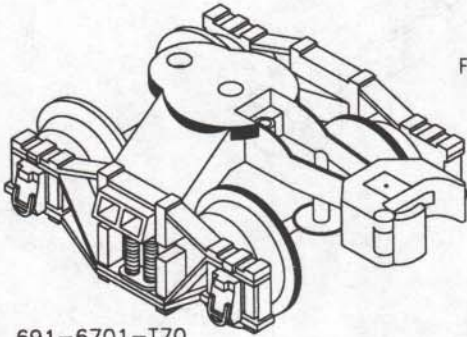


600-9050-150
Pick Up Assembly



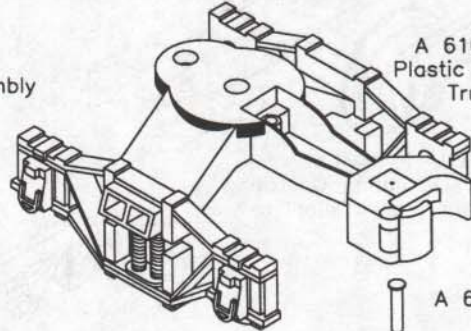
600-9050-054
Wheel and Axle
Assembly

691-8701-T60 PLASTIC ARCHBAR STYLE PLAIN TRUCK
 691-8701-T70 PLASTIC ARCHBAR STYLE OPERATING COUPLER TRUCK
 610-9551-080 PLASTIC ARCHBAR STYLE OPERATING
 ARTICULATING COUPLER TRUCK

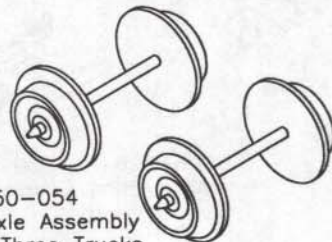


691-6701-T70
 Plastic Archbar Style
 Operating Coupler Truck
 Complete

A 610-8701-501
 Frame and Knuckle Assembly
 Consists of all Parts
 With the Letter A

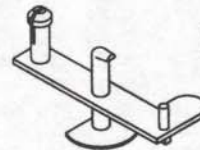


A 610-8701-135
 Plastic Archbar Style
 Truck Frame



600-9050-054
 Wheel and Axle Assembly
 Used on All Three Trucks

A 690-00TC-023
 Rivet

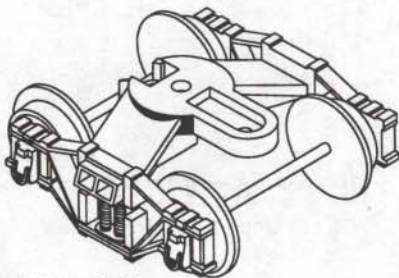


A 610-9050-056
 Knuckle

610-9050-057
 Uncoupler Plunger

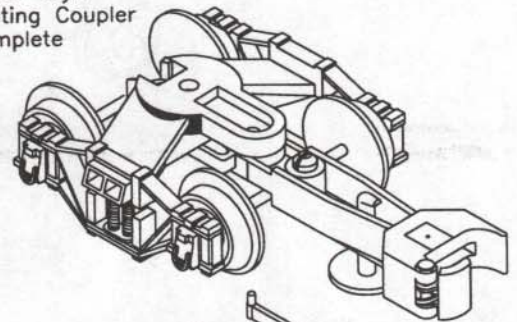


610-9150-058
 Uncoupler Armature

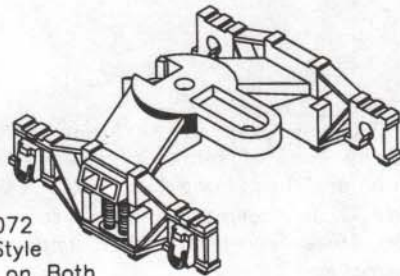


691-8701-T60
 Plastic Archbar Style
 Plain Truck

610-9551-080
 Plastic Archbar Style
 Operating Articulating Coupler
 Truck Complete



B 610-9551-056
 Frame and Knuckle Assembly
 Consists of all Parts
 With the Letter B



B 610-9551-072
 Plastic Archbar Style
 Truck Frame Used on Both
 610-9551-080 and
 691-8701-T60

B 610-6403-055
 Articulating Coupler Knuckle
 Assembly Consists of all
 Parts With *

* 610-6403-060
 Articulating Coupler
 Short

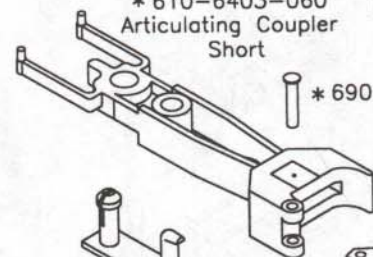


B 610-6000-022
 Washer

* 690-00TC-023
 Rivet

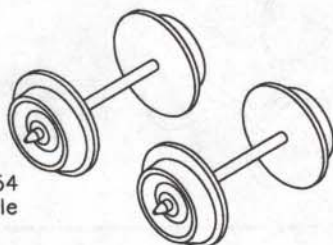


B 600-8240-071
 Screw



610-9050-057
 Uncoupler Plunger

* 610-9050-056
 Knuckle

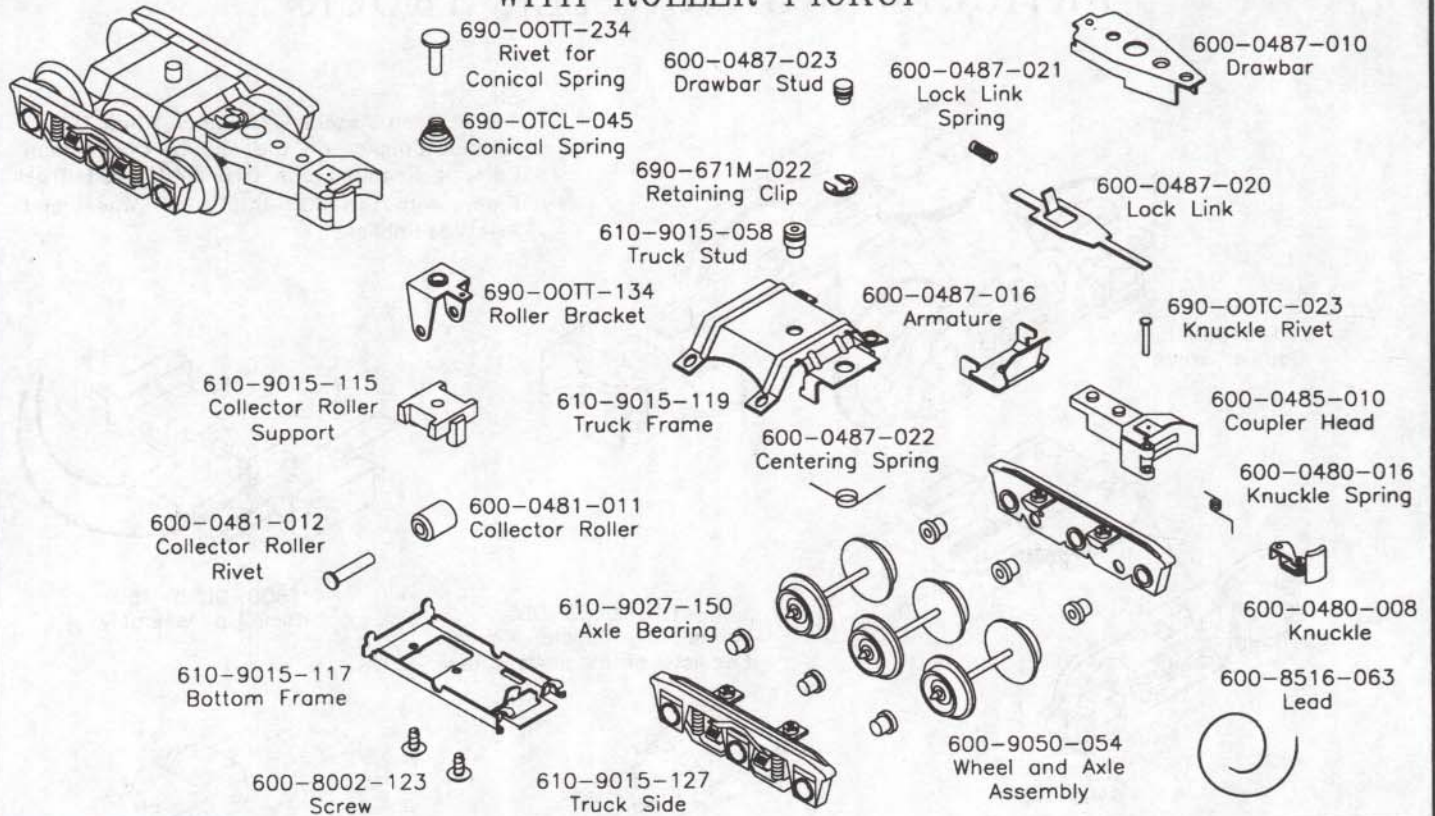


600-9050-054
 Wheel and Axle
 Assembly

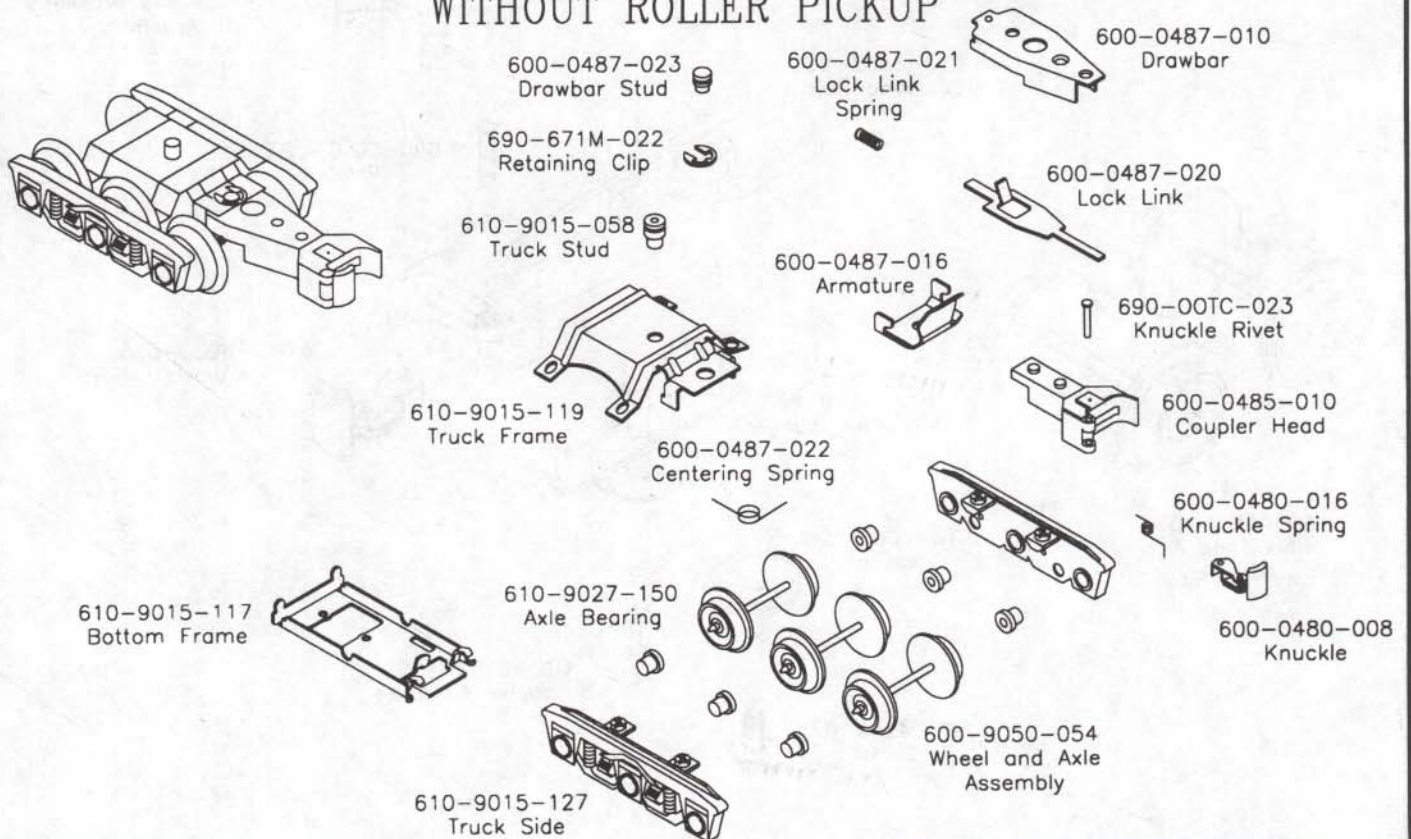


610-9150-058
 Uncoupler Armature

610-9015-100 SIX WHEEL OPERATING COUPLER TRUCK WITH ROLLER PICKUP



610-9011-100 SIX WHEEL OPERATING COUPLER TRUCK WITHOUT ROLLER PICKUP

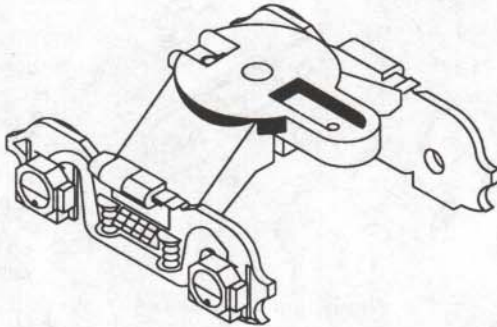
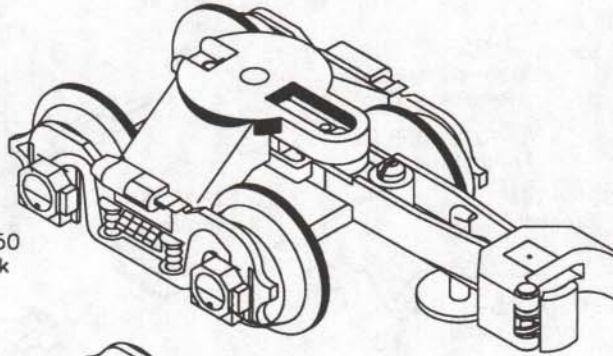


610-6403-050 PLASTIC PASSENGER OPERATING ARTICULATING COUPLER TRUCK

Note:

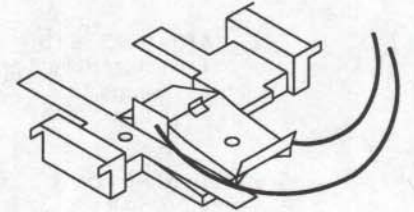
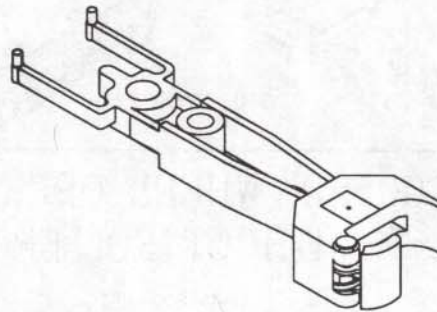
There is no Assembly Number When Used Without Coupler on the end of Observation Cars. It Requires one 610-6403-051 Truck Frame with two 600-9050-054 Wheel and Axle Assemblies.

610-6403-050
Coupler Truck



610-6403-051
Truck Frame

610-6403-055
Articulating Coupler Knuckle
Consists of all parts with *

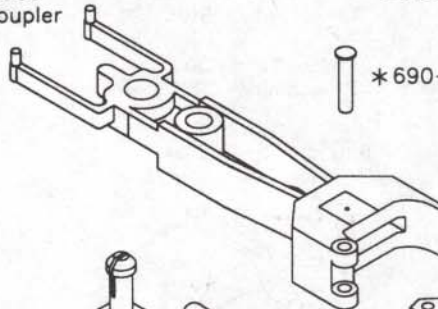


600-9050-150
Pick Up Assembly



600-8209-165
Roller and Bracket
Assembly

* 610-6403-060
Articulating Coupler
Arm

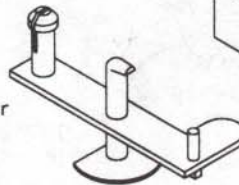


* 690-00TC-023
Rivet

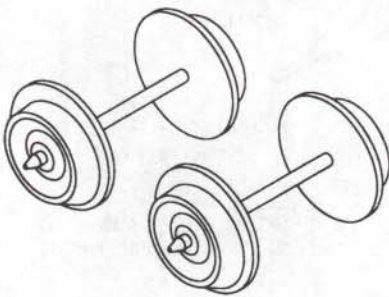
* 610-9050-056
Knuckle



610-9050-057
Uncoupler Plunger



600-9050-054
Wheel and Axle
Assembly



610-6000-022
Washer



610-9150-058
Uncoupler Armature



600-8240-071
Screw

