



LIONEL

\$10.00
#610-0040-001
Issued 6-98

PARTS LIST AND EXPLODED DIAGRAMS SUPPLEMENT 40

Produced by Lionel®
50625 Richard W. Boulevard
Chesterfield, MI 48051-2493

CONTENTS

O and O27 gauges

Diesel engines & Electrics

Alco PA-1
A.T.S.F. (601-8952-000)
N.Y.C. (601-8953-000)
Rectifier Electric
Virginian (601-8315-000)
SD-60
Soo (601-8232-000)

Steam Locomotive

Semi-Scale Hudsons
763E N.Y.C. J1-E (601-8056-000)
704 A.T.S.F. Warhorse (601-8062-000)

Tenders

Vanderbilt
763E N.Y.C. (691-8056-T01)
2426 Large Square Type
704 A.T.S.F. Warhorse (691-8062-T01)

Rolling Stock

Extension Searchlight Cars

Lionel Lines (6-16615)
N.Y.C. (6-16625)
Western Pacific (6-16637)
Erie (6-16685)
Lionel Lines (6-16720)
Lionel Fire Co. (6-19854)
Holiday Song Boxcar
Lionel Holiday 1997 (6-16776)

Copyright© 1998
By Lionel
All Rights Reserved

This supplement is designed to fit with two different publications, the *Lionel Service Manual* 1986 to 1998 and *Lionel Parts List and Exploded Diagrams*.

Each page has two numbers. The number for the *Lionel Service Manual* is indicated by parentheses, e.g., (B-78). The number which applies to *Lionel Parts Lists and Exploded Diagrams* is above the parentheses, e.g., S40-1-1

**INDEX TO
LIONEL PARTS LISTS AND EXPLODED DIAGRAMS
SUPPLEMENT 40**

ALPHABETICAL INDEX

**O AND 027 GAUGES
DIESEL ENGINES**

POWER UNITS

Alco PA-1 S40:1-7,8,9,10,11
601-8952-000 A.T.S.F.
601-8953-000 N.Y.C.
Rectifier Electric S40:1-1,2,3
610-8315-001 Virginian
SD-60 S40:1-4,5,6
601-8232-000 Soo

STEAM LOCOMOTIVES

4-6-4
Semi Scale Hudson S40:3-1,2,3,4,5,6,7,8
610-8056-001 763E N.Y.C. J1-E
610-8062-001 704 A.T.S.F. Warhorse

TENDERS

Vanderbilt S40:4-1,2,3
691-8056-T01 763E N.Y.C.
2426 Large Square Type S40:4-4,5,6
691-8062-T01 704 A.T.S.F. Warhorse

ROLLING STOCK

Extension Searchlight Cars S40:11-
1,2,3,4,5
6-16685 Erie
6-19854 Lionel Fire
6-16615 Lionel Lines
6-16720 Lionel Lines No. 3650
6-16625 N.Y.C.
6-16637 Western Pacific

OPERATING CARS

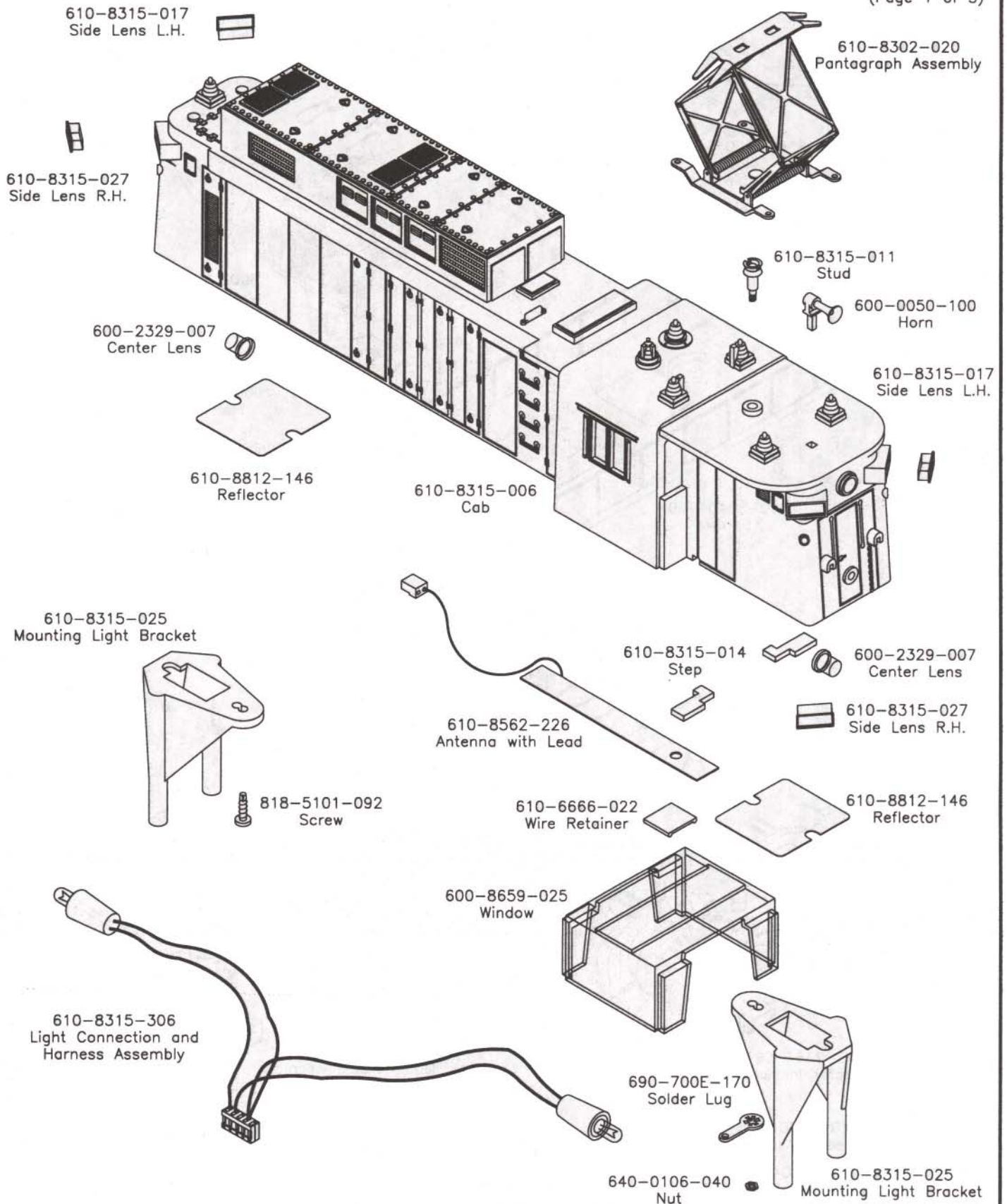
Holiday Song Box Car S40:11-6,7,8
6-16776 Lionel Holiday 1997

LIONEL SERVICE MANUAL INDEX BY LETTER SUPPLEMENT 40

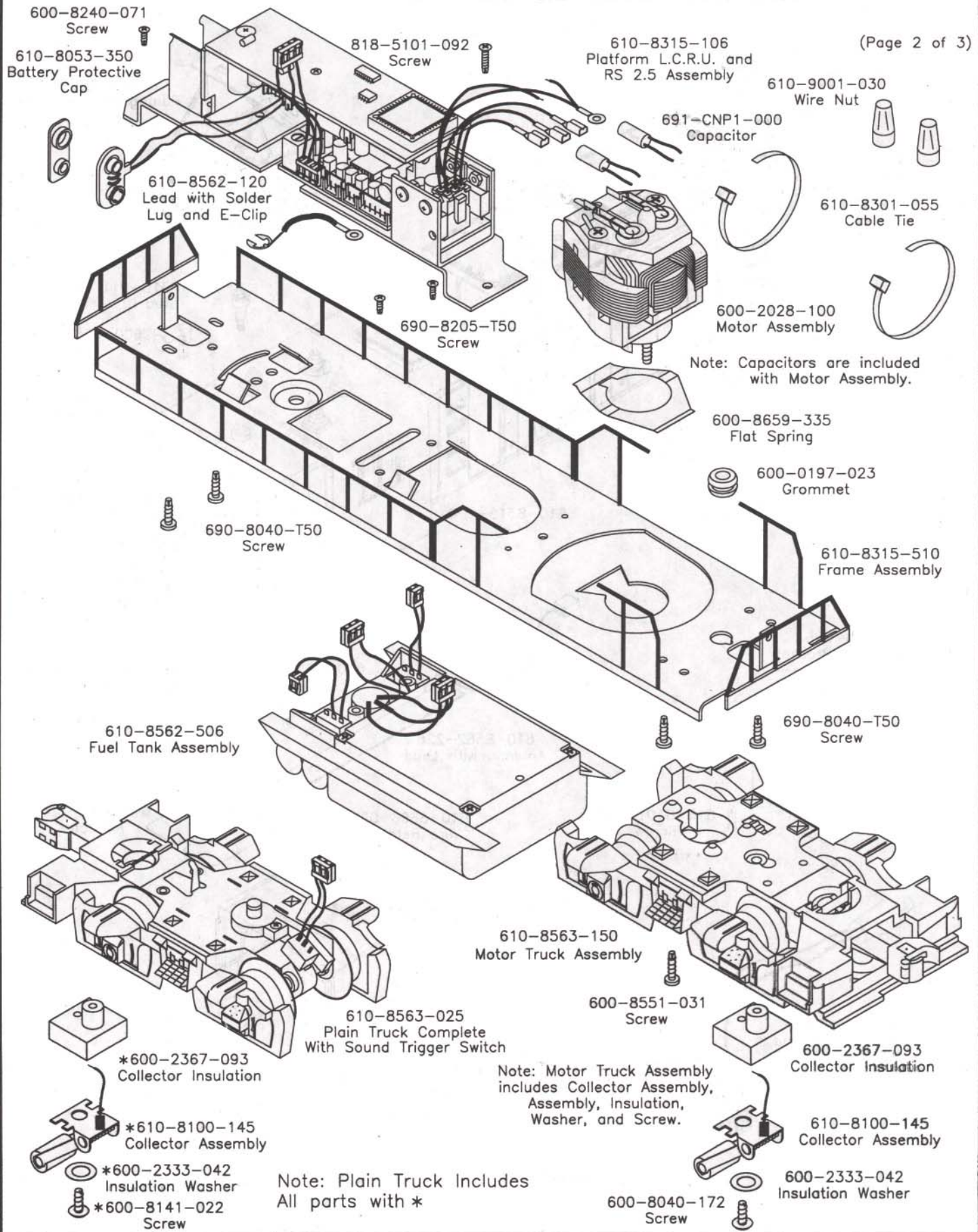
Description	Drawing
Diesel Locomotives Power Units	
Rectifier Electric.....	(B-78,2,3)
610-8315-001 Virginian Rectifier	
SD-60.....	(B-79,2,3)
601-8232-000 Soo	
Alco PA-1.....	(B-80,2,3,4,5)
601-8952-000 A.T.S.F.	
601-8953-000 N.Y.C.	
Steam Locomotives	
4-6-4 Semi-Scale Hudsons.....	(A-72,2,3,4,5,6,7,8)
610-8056-001 763E J1-E	
610-8062-001 704 A.T.S.F. Warhorse	
Tenders	
Vanderbilt.....	(C-67,2,3)
691-8056-T01 763E N.Y.C.	
2426 Large Square Type.....	(C-68,2,3)
691-8062-T01 704 A.T.S.F. Warhorse	
Rolling Stock	
Extension Searchlight Cars	(F-165,2,3,4,5)
601-6615-000 Lionel Lines	
601-6625-000 N.Y.C.	
601-6637-000 Western Pacific	
601-6685-000 Erie	
601-6720-000 Lionel Lines 3650	
601-9854-000 Lionel Fire Co.	
Holiday Song Box Car.....	(F-166,2,3)
601-6776-000 Lionel Holiday 1997	

610-8315-001 VIRGINIAN RECTIFIER ELECTRIC

(Page 1 of 3)

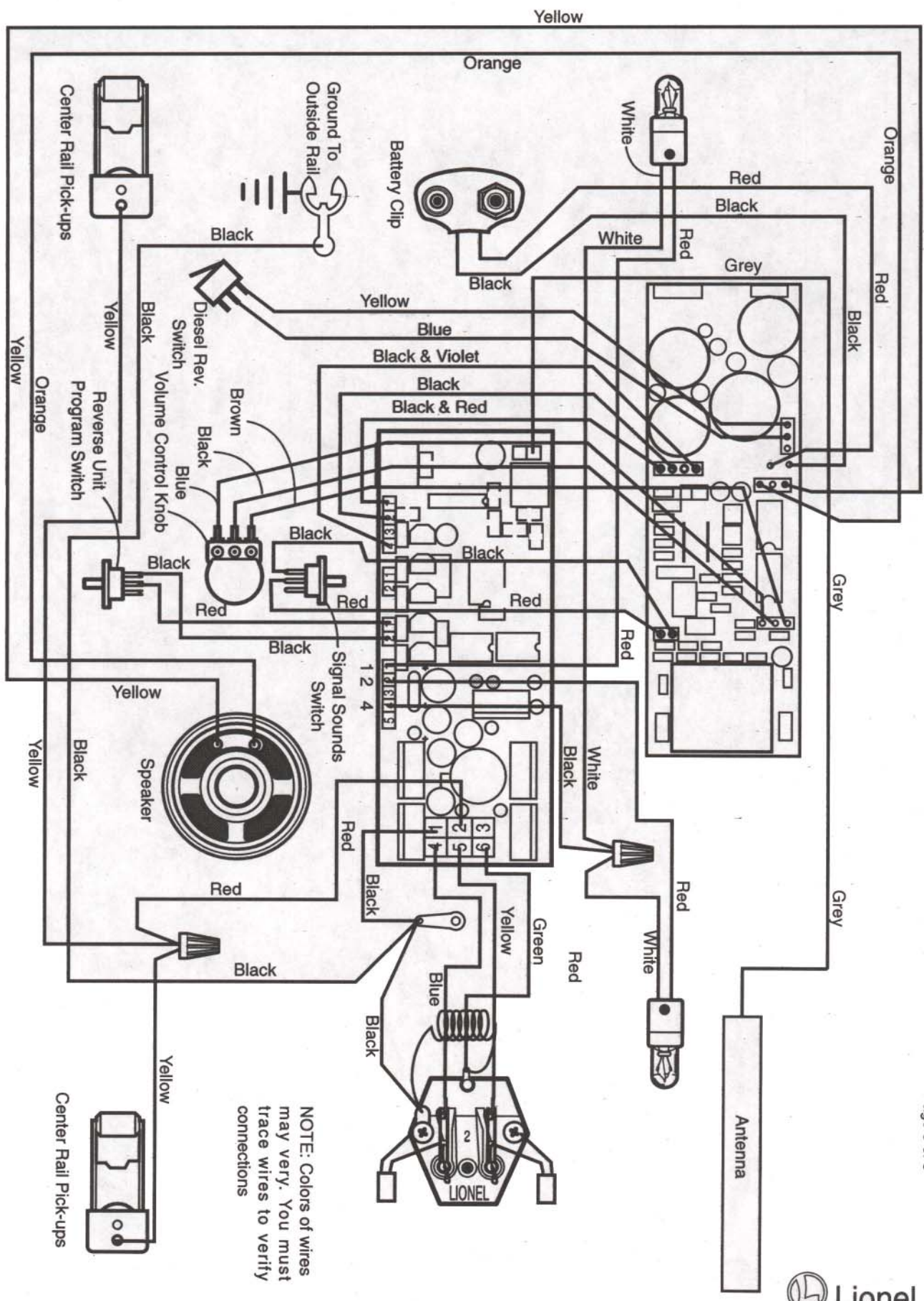


610-8315-001 VIRGINIAN RECTIFIER ELECTRIC



610-8315-001 VIRGINIAN RECTIFIER ELECTRIC LOCOMOTIVE WIRING SCHEMATIC

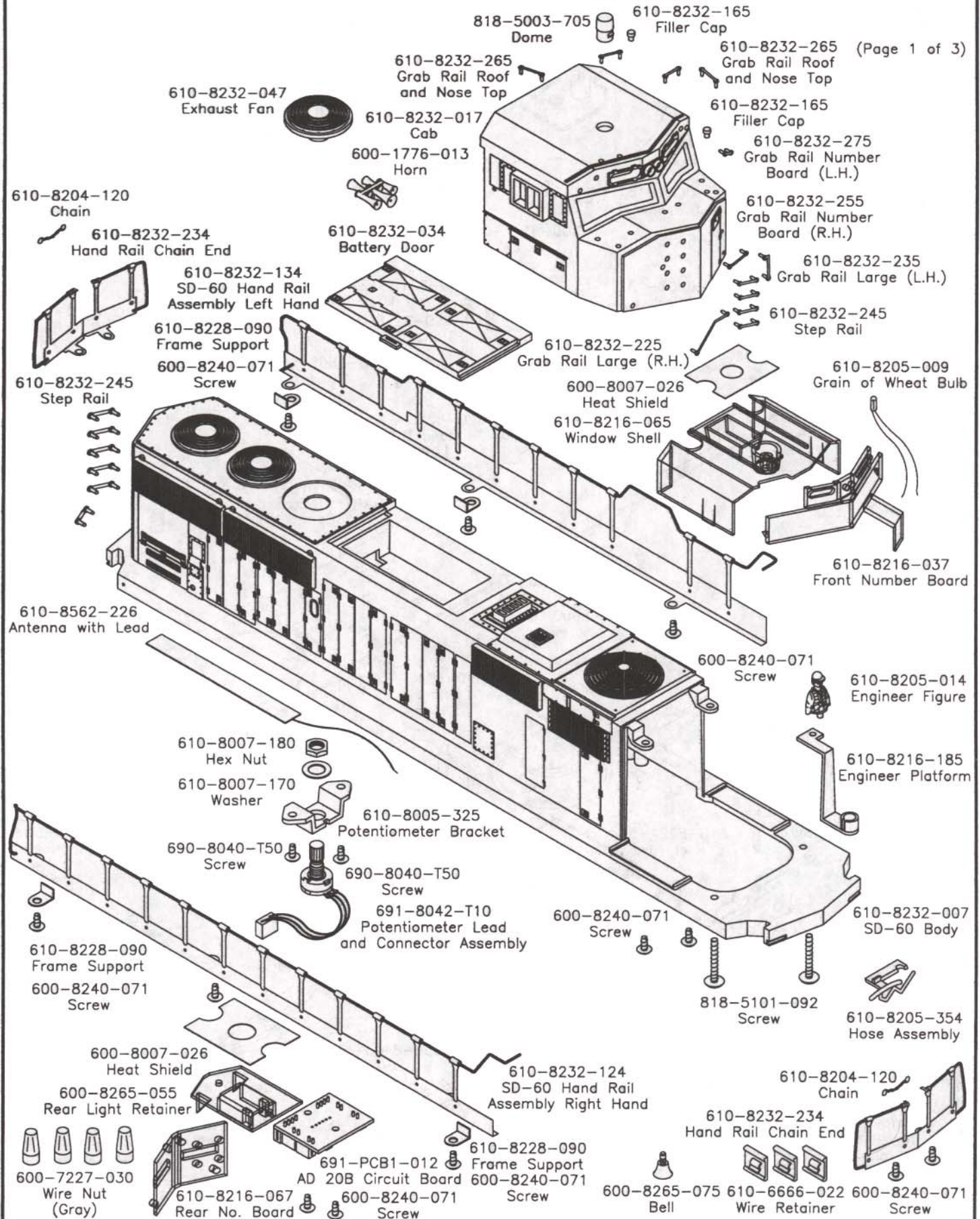
Page 3 of 3



NOTE: Colors of wires may vary. You must trace wires to verify connections

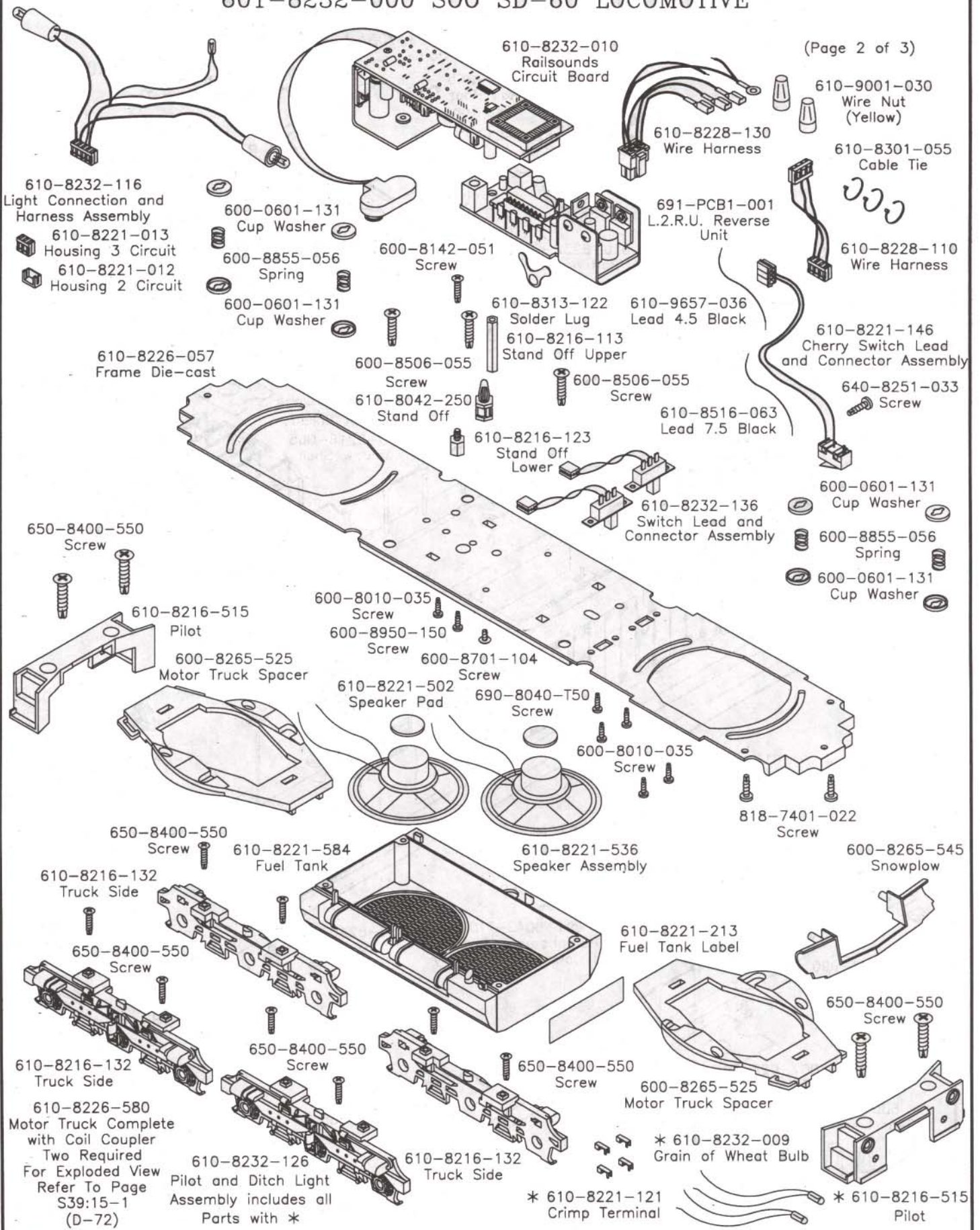


601-8232-000 S00 SD-60 LOCOMOTIVE

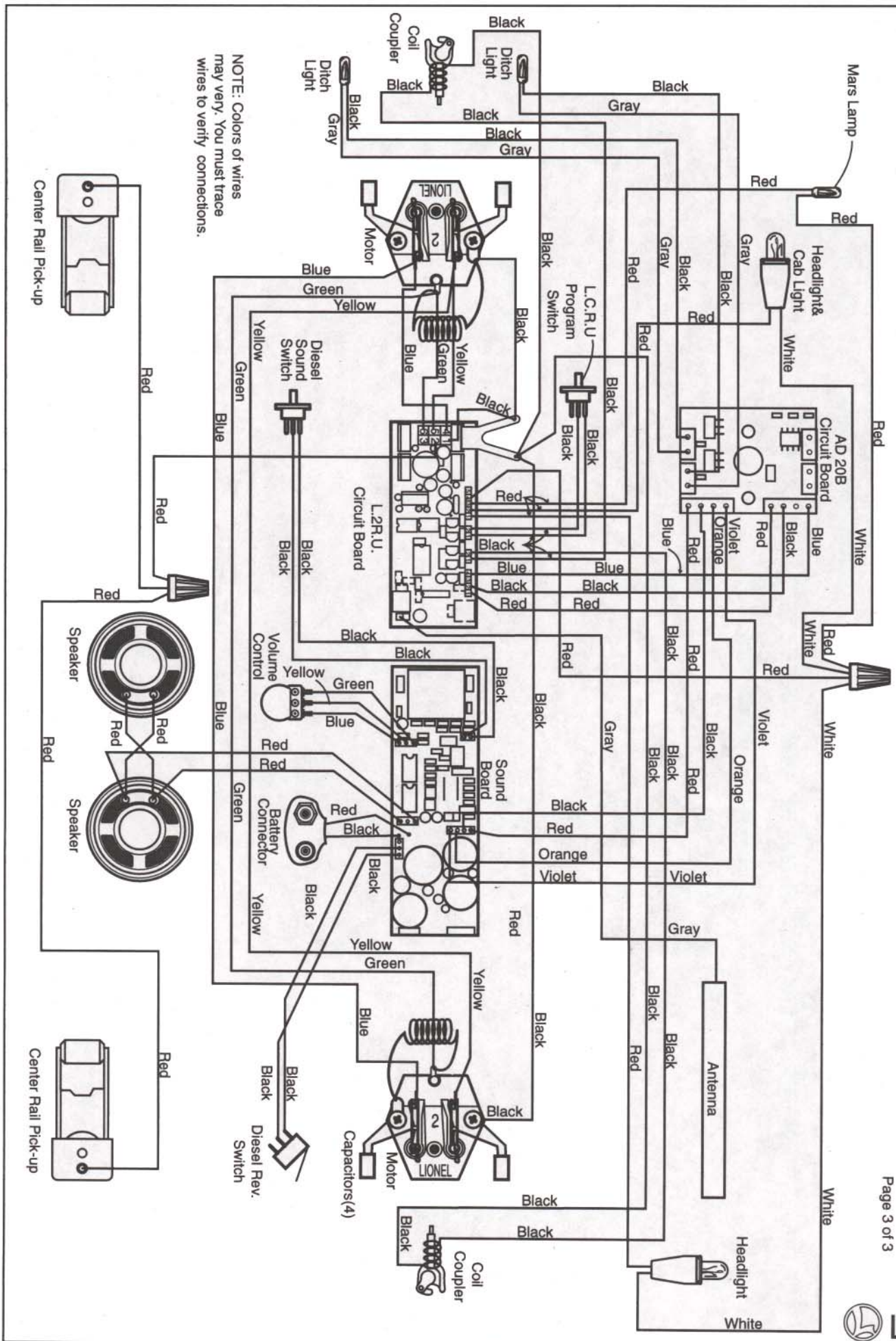


601-8232-000 S00 SD-60 LOCOMOTIVE

(Page 2 of 3)



601-8232-000 SOO LINE SD-60 DIESEL LOCOMOTIVE WIRING SCHEMATIC



NOTE: Colors of wires may vary. You must trace wires to verify connections.

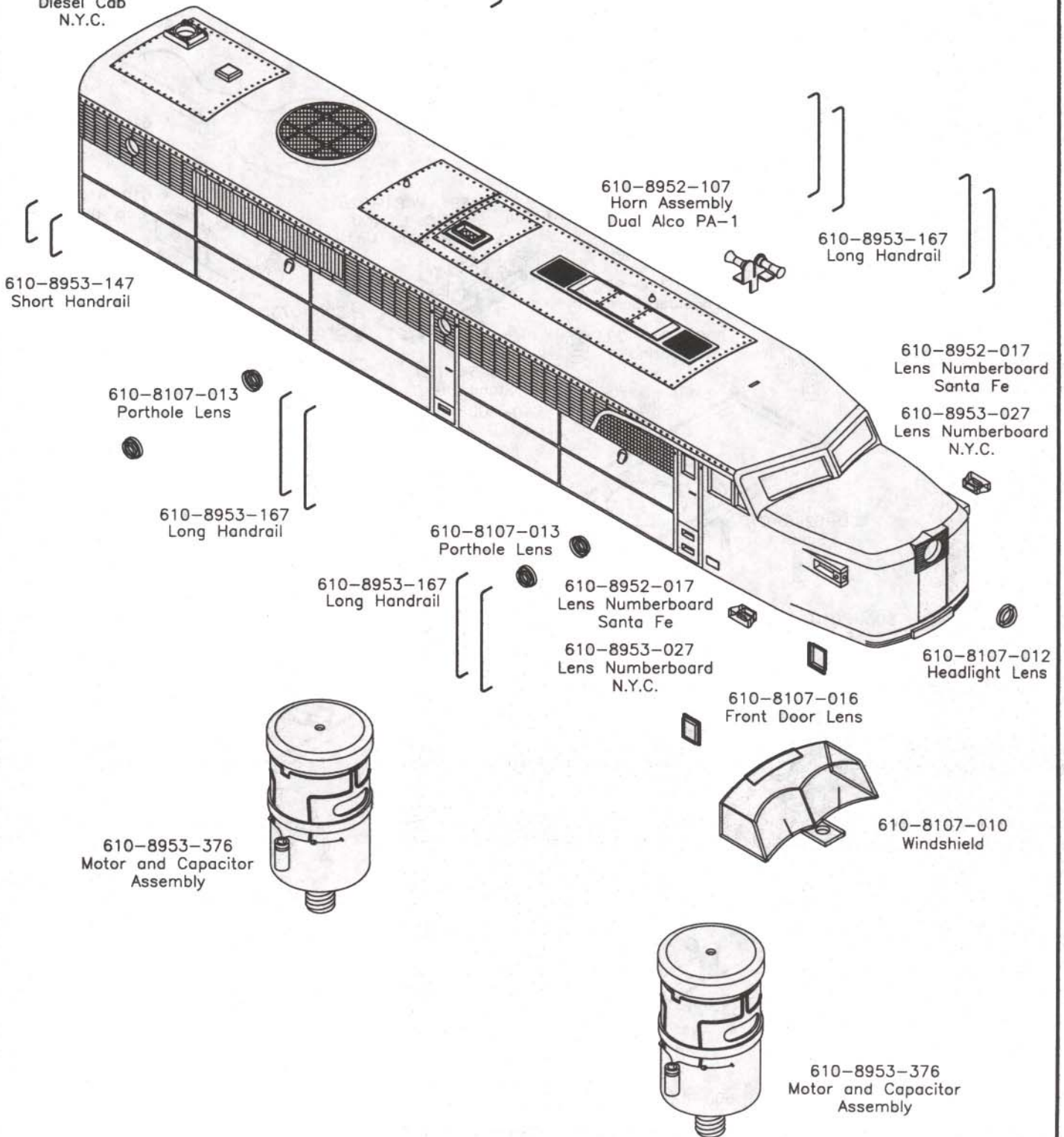
6-18952 A.T.S.F. ALCO PA-1 DIESEL LOCOMOTIVE
 6-18953 N.Y.C. ALCO PA-1 DIESEL LOCOMOTIVE

(Page 1 of 5)

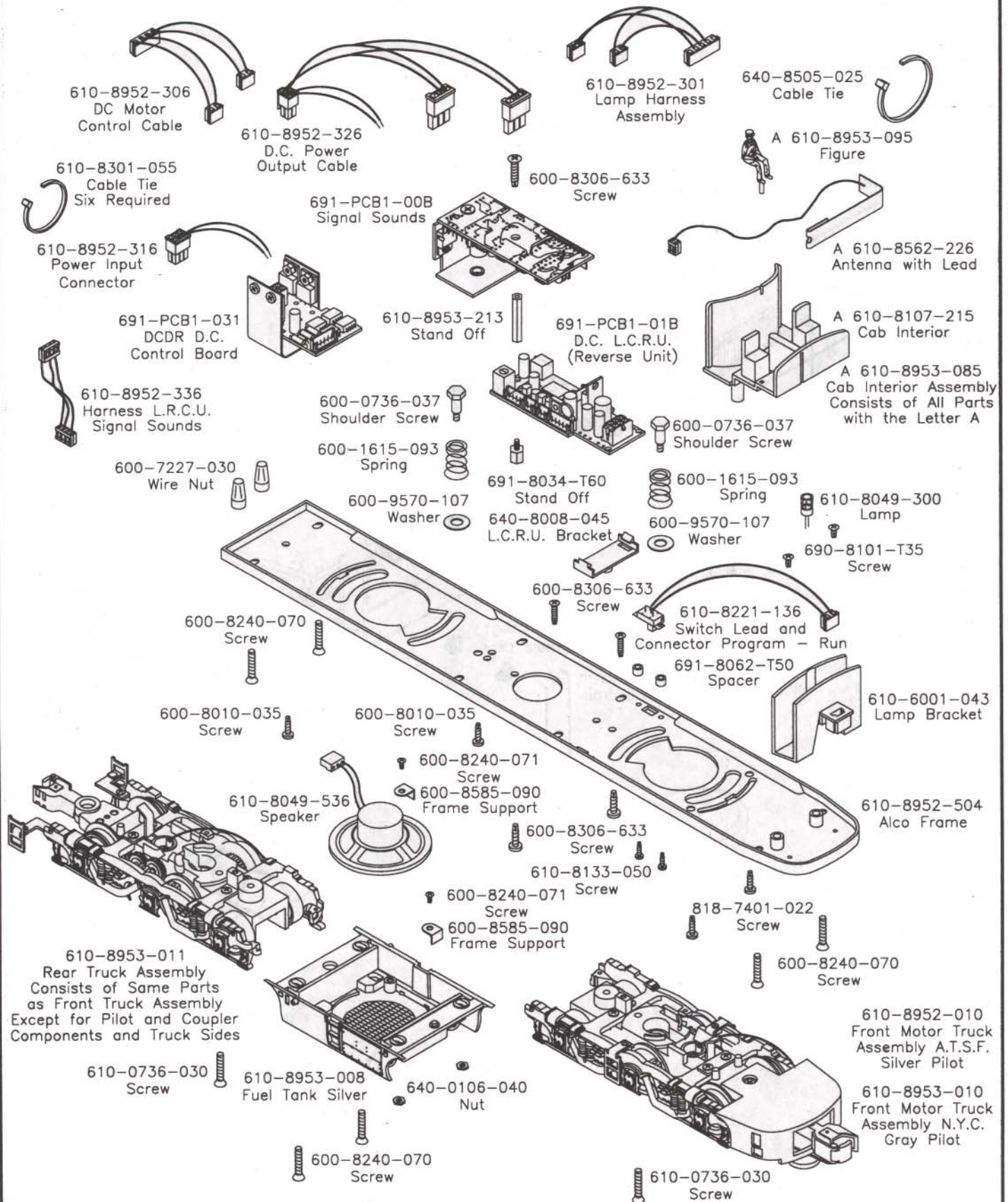
610-8952-002
 Alco PA-1
 Diesel Cab
 Santa Fe

610-8953-002
 Alco PA-1
 Diesel Cab
 N.Y.C.

610-8953-147
 Short Handrail



6-18952 A.T.S.F. ALCO PA-1 DIESEL LOCOMOTIVE
 6-18953 N.Y.C. ALCO PA-1 DIESEL LOCOMOTIVE



6-18952 A.T.S.F. ALCO PA-1 DIESEL LOCOMOTIVE
 6-18953 N.Y.C. ALCO PA-1 DIESEL LOCOMOTIVE

(Page 3 of 5)

B 610-8952-232
 Plain Wheel Solid With
 Gear and Swaged Axle
 Assembly Consists of All
 Parts with the Letter B

C 600-2321-079
 Plain Wheel
 Without Flange

610-8952-048
 Truck Side and Front
 Step Assembly L.H.

B 610-8952-032
 Plain Wheel Flanged

B 600-2330-033
 Drive Gear

D 610-6001-065
 Traction Tire

600-8142-080
 Washer

D 610-6001-068
 Plain Wheel
 Undercut

600-8010-118
 Axle Bearing

D 600-2330-033
 Drive Gear

610-9251-060
 Rivet

600-8142-080
 Washer

610-6001-057
 Gear Stud

600-8010-117
 Pinion Gear

600-8855-118
 Axle Bearing

D 610-6001-168
 Plain Wheel Undercut With
 Gear and Plain Axle Assembly
 Consists of All Parts
 with the Letter D

600-8010-117
 Pinion Gear

610-6001-057
 Gear Stud

640-0106-040
 Nut

610-8952-526
 Lead and Solder Lug
 Assembly Red

690-8101-T35
 Screw

610-6001-031
 Insulating Bushing

600-8950-075
 Lead with Terminal

690-8205-T50
 Screw

600-8142-063
 Lock Washer

610-6001-051
 Truck Guide

C 600-8950-062
 Plain Wheel Without
 Flange and Axle Assembly
 Consists of All Parts
 with the Letter C

600-8040-172
 Screw

610-6001-060
 Worm Wheel

610-8401-030
 Screw

610-8952-055
 Pilot Silver
 A.T.S.F.

610-8953-055
 Pilot Grey
 N.Y.C.

610-8953-065
 Gear Box Frame

600-2321-164
 Coupler Head
 Shaft

C 600-2321-080
 Axle

600-8010-118
 Axle Bearing

C 600-2321-079
 Plain Wheel
 Without Flange

B 600-2330-029
 Swaged Axle

600-8010-118
 Axle Bearing

610-8953-075
 Front Coupler
 Assembly

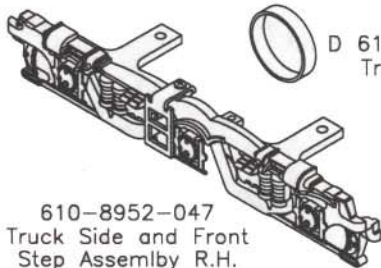
B 610-8952-032
 Plain Wheel Flanged

D 600-2330-028
 Plain Axle

610-8107-154
 Armature Front
 Coupler

D 610-6001-068
 Plain Wheel Undercut

690-671M-023
 Washer



D 610-6001-065
 Traction Tire

610-6001-032
 Collector Insulator

600-1615-093
 Coupler Centering
 Spring

600-2321-161
 Button Coupler
 Armature

610-8952-132
 Collector Assembly

600-8250-035
 Fiber Washer

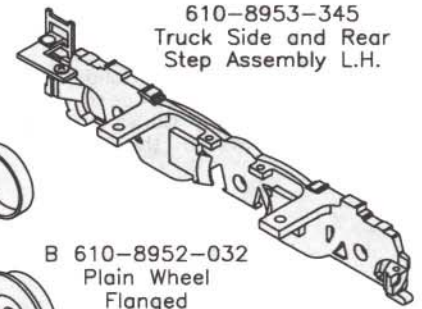
600-9700-025
 Screw

600-8950-150
 Screw

690-671M-022
 Retaining Ring

6-18952 A.T.S.F. ALCO PA-1 DIESEL LOCOMOTIVE
 6-18953 N.Y.C. ALCO PA-1 DIESEL LOCOMOTIVE

(Page 4 of 5)



610-8953-345
 Truck Side and Rear
 Step Assembly L.H.

D 610-6001-065
 Traction Tire

D 610-6001-068
 Plain Wheel Undercut

B 610-8952-032
 Plain Wheel
 Flanged

C 600-2321-079
 Plain Wheel
 Without Flange

640-0106-040
 Nut

610-8952-526
 Lead and Solder
 Lug Assembly Red

600-8010-118
 Axle Bearing

610-6001-031
 Insulating Bushing

600-8010-118
 Axle Bearing

690-8205-T50
 Screw

690-8101-T35
 Screw

610-6001-051
 Truck Guide

600-8950-075
 Lead with Terminal

D 610-6001-168
 Plain Wheel Undercut
 With
 Gear and Plain Axle Assembly
 Consists of All Parts
 with the Letter D

610-6001-060
 Worm Wheel

600-8142-063
 Lock Washer

610-8953-050
 Rear Coupler

600-8040-172
 Screw

600-8855-118
 Axle Bearing

818-7401-023
 Washer

600-8010-117
 Pinion Gear

690-8101-T35
 Screw

610-8953-065
 Gear Box Frame

610-9251-060
 Rivet

600-8142-080
 Collector Insulator

600-8010-117
 Pinion Gear

600-8010-118
 Axle Bearing

610-8952-132
 Collector Assembly

610-6001-057
 Gear Stud

600-8010-117
 Pinion Gear

C 600-2321-080
 Axle

600-8950-150
 Screw

D 600-2330-028
 Plain Axle

610-6001-057
 Gear Stud

C 600-2321-079
 Plain Wheel
 Without Flange

600-8142-080
 Washer

B 600-2330-029
 Swaged Axle

D 600-2330-033
 Drive Gear

600-8142-080
 Washer

C 600-2321-079
 Plain Wheel
 Without Flange

D 610-6001-068
 Plain Wheel Undercut

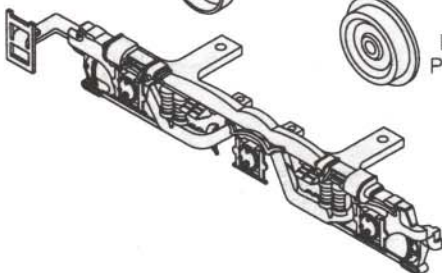
B 600-2330-033
 Drive Gear

C 600-8950-062
 Plain Wheel Without
 Flange and Axle Assembly
 Consists of All Parts
 with the Letter C

D 610-6001-065
 Traction Tire

B 610-8952-032
 Plain Wheel Flanged

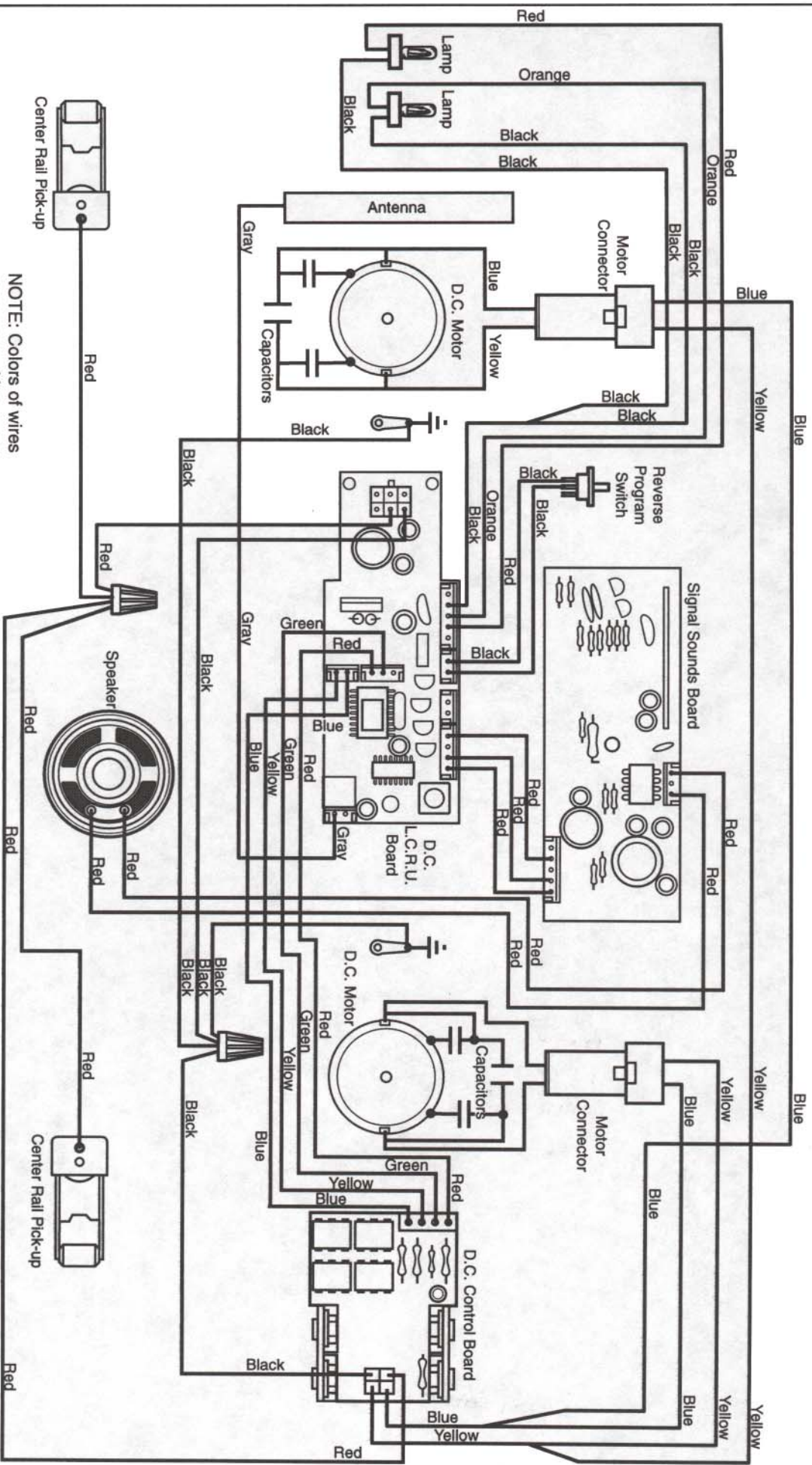
B 610-8952-232
 Plain Wheel Solid With
 Gear and Swaged Axle
 Assembly Consists of All
 Parts with the Letter B



610-8953-245
 Truck Side and Rear
 Step Assembly R.H.

601-8952-000 ALCO PA-1 A.T.S.F. DIESEL LOCOMOTIVE
 601-8953-000 ALCO PA-1 N.Y.C. DIESEL LOCOMOTIVE

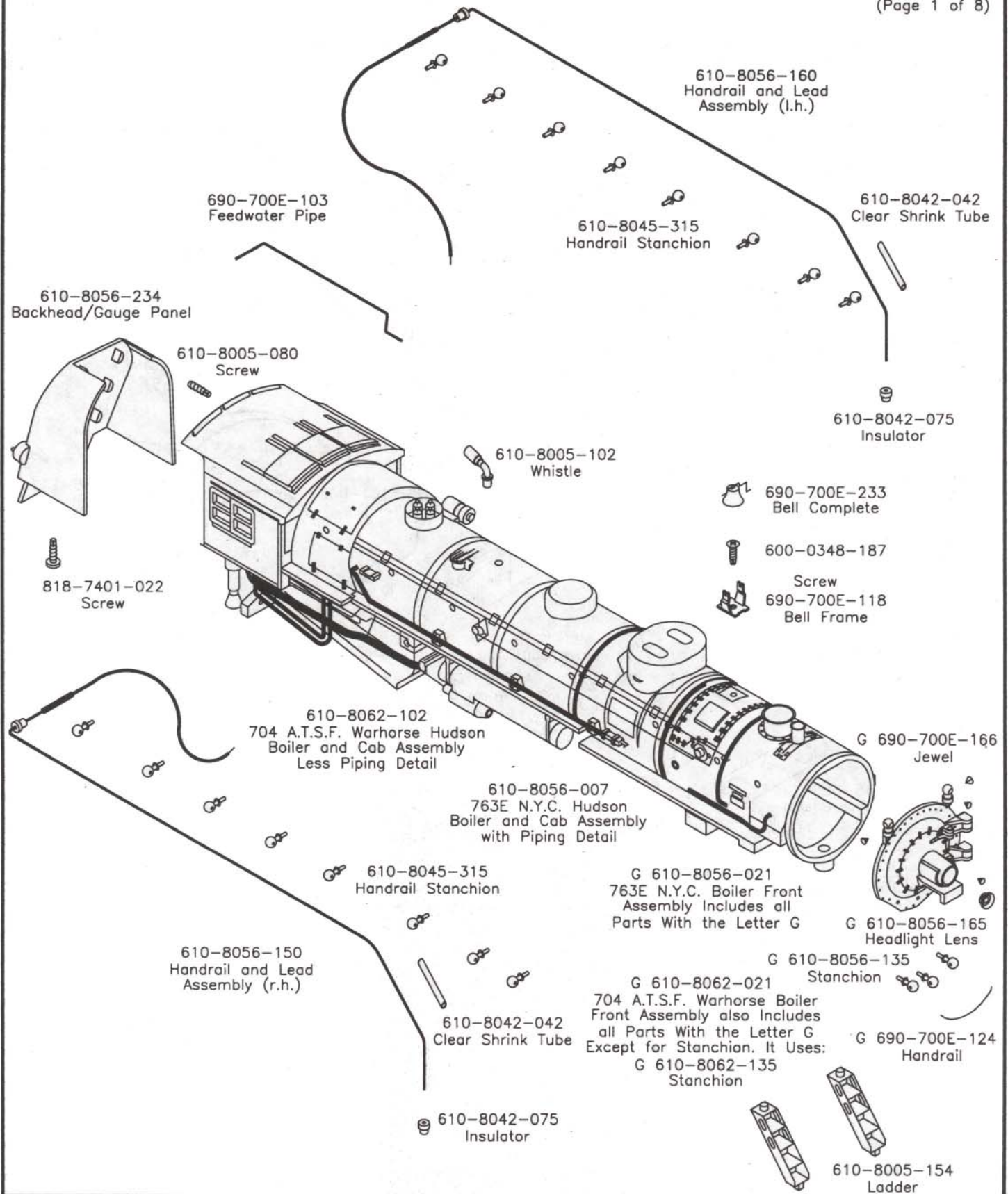
WIRING SCHEMATICS



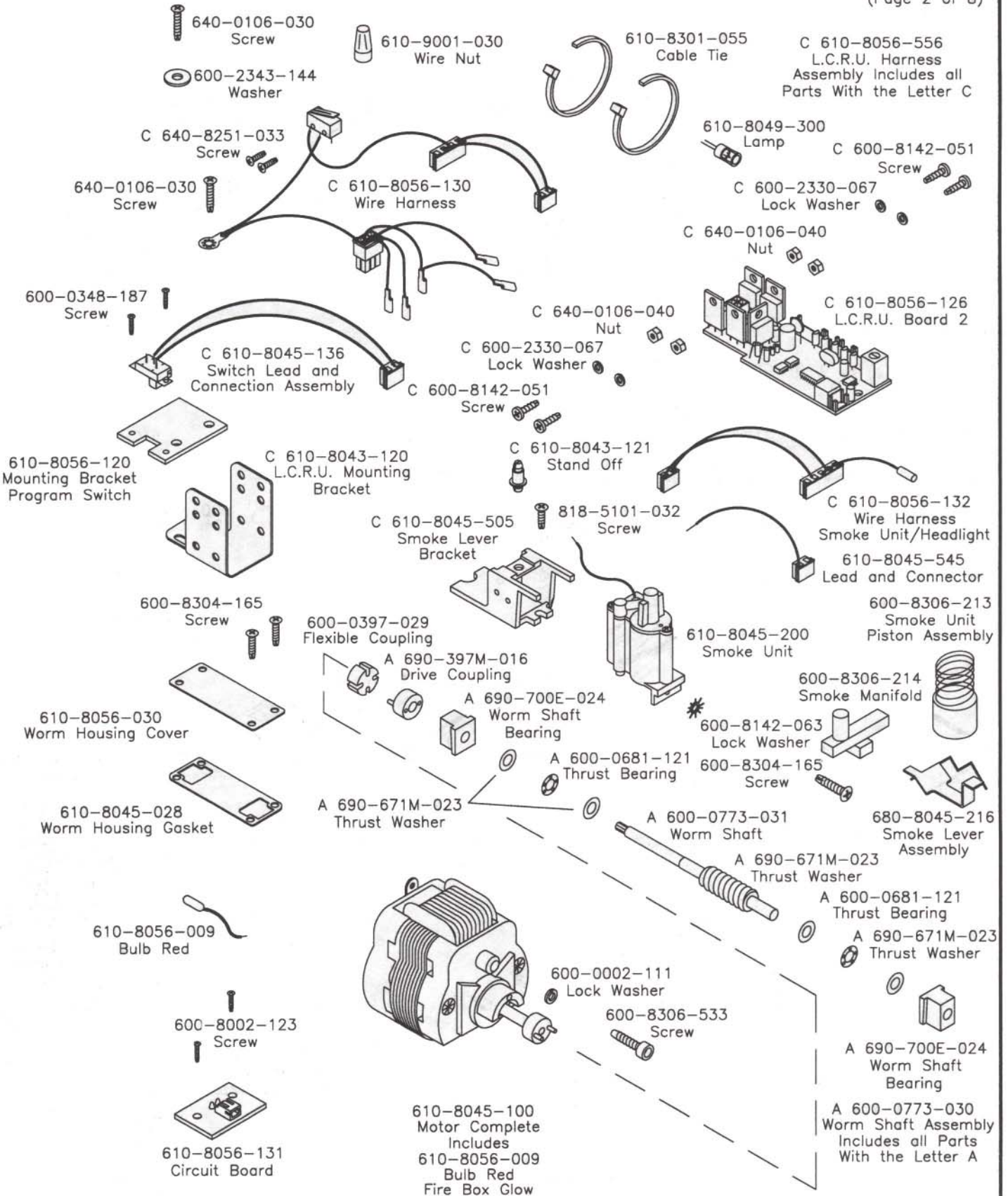
NOTE: Colors of wires may vary. You must trace wires to verify connections

610-8056-001 763E N.Y.C. J1-E HUDSON LOCOMOTIVE
 610-8062-001 704 A.T.S.F. WARHORSE HUDSON LOCOMOTIVE

(Page 1 of 8)

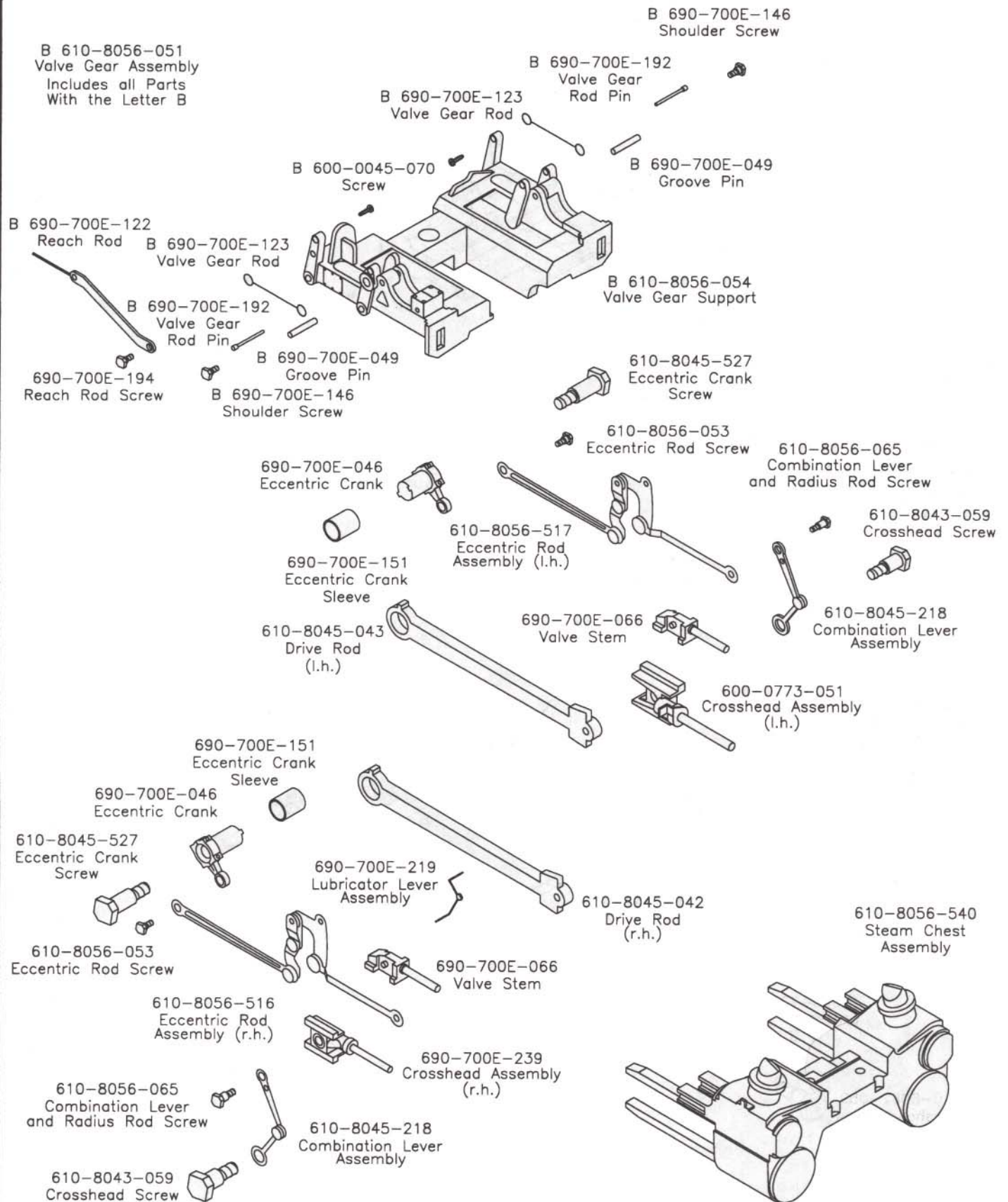


610-8056-001 763E N.Y.C. J1-E HUDSON LOCOMOTIVE
 610-8062-001 704 A.T.S.F. WARHORSE HUDSON LOCOMOTIVE



610-8056-001 763E N.Y.C. J1-E HUDSON LOCOMOTIVE

(Page 3 of 8)



610-8062-001 704 A.T.S.F. WARHORSE HUDSON LOCOMOTIVE

(Page 4 of 8)

W 610-8062-051
Valve Gear Assembly
Includes all Parts
With the Letter W

610-8045-053
Eccentric Rod Screw

W 610-8045-051
Eccentric Rod

W 610-8062-133
Valve Gear
Connection Rod L.H.
W 610-8045-054
Rivet

W 610-8062-054
Valve Gear Support

W 690-700E-049
Groove Pin

W 690-700E-049
Groove Pin

W 610-8045-051
Eccentric Rod
610-8045-053
Eccentric Rod Screw

W 610-8062-132
Valve Gear
Connection Rod R.H.
W 610-8045-054
Rivet

610-8045-527
Eccentric Crank
Screw

690-700E-046
Eccentric Crank

690-700E-151
Eccentric Crank
Sleeve

690-700E-151
Eccentric Crank
Sleeve

690-700E-046
Eccentric Crank

610-8045-527
Eccentric Crank
Screw

610-8045-043
Drive Rod
(l.h.)

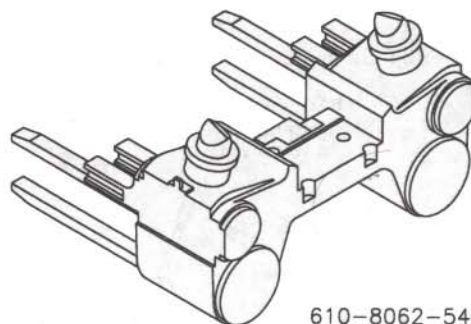
610-8062-059
Crosshead Screw

600-0773-051
Crosshead Assembly
(l.h.)

610-8045-042
Drive Rod
(r.h.)

690-700E-239
Crosshead Assembly
(r.h.)

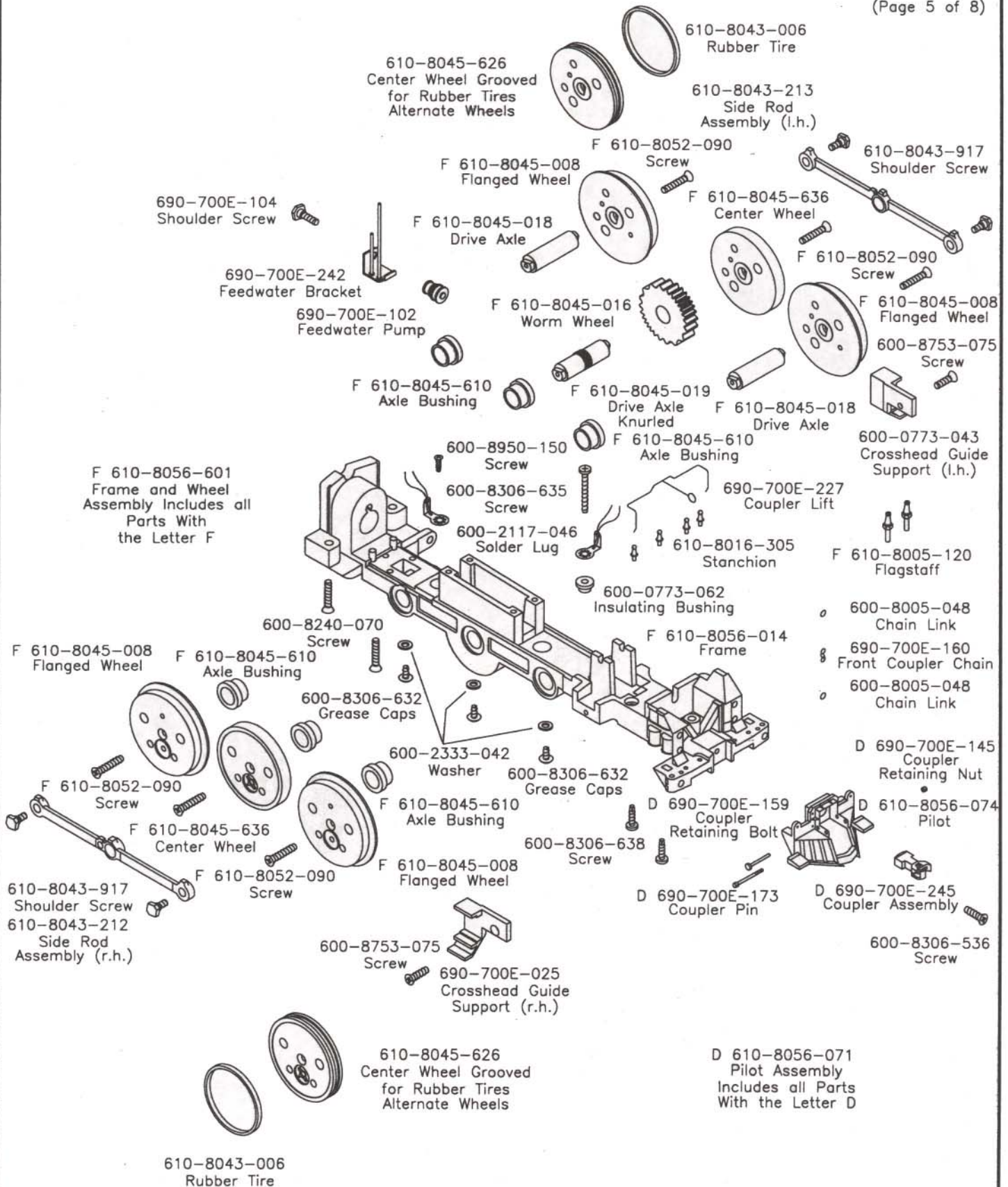
610-8062-059
Crosshead Screw



610-8062-540
Steam Chest
Assembly

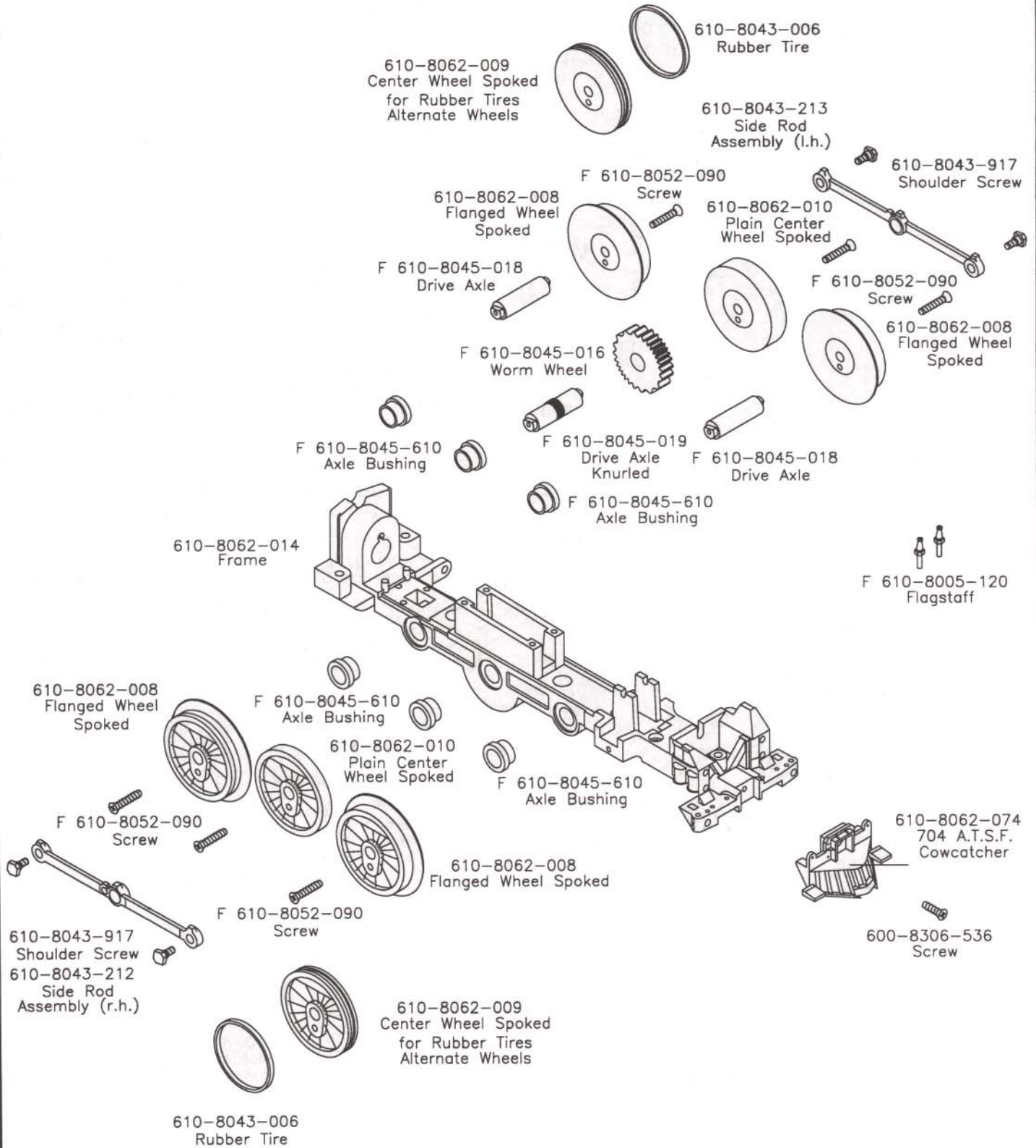
610-8056-001 763E N.Y.C. J1-E HUDSON LOCOMOTIVE
 610-8062-001 704 A.T.S.F. WARHORSE HUDSON LOCOMOTIVE

(Page 5 of 8)

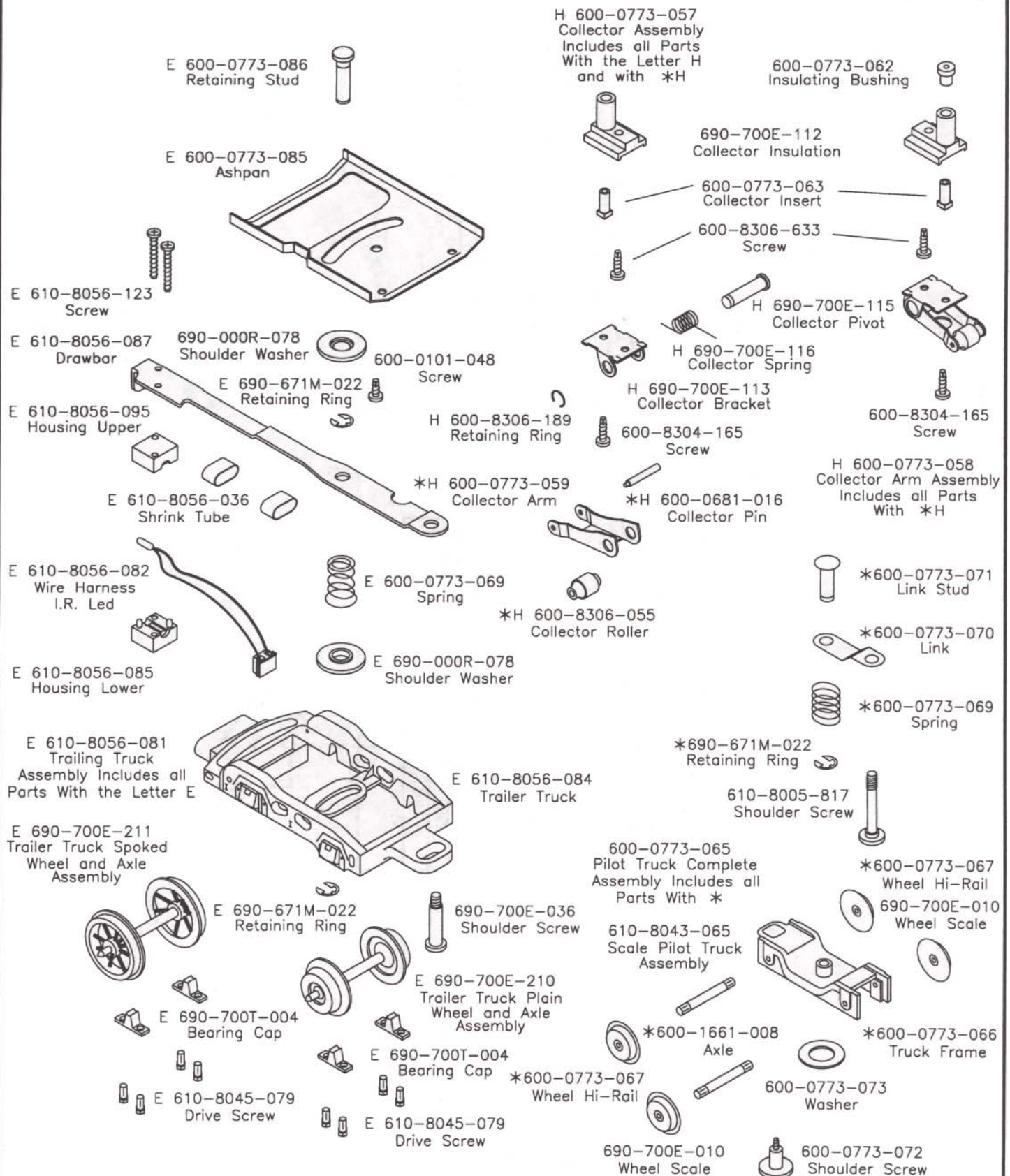


610-8062-001 704 A.T.S.F. WARHORSE HUDSON LOCOMOTIVE

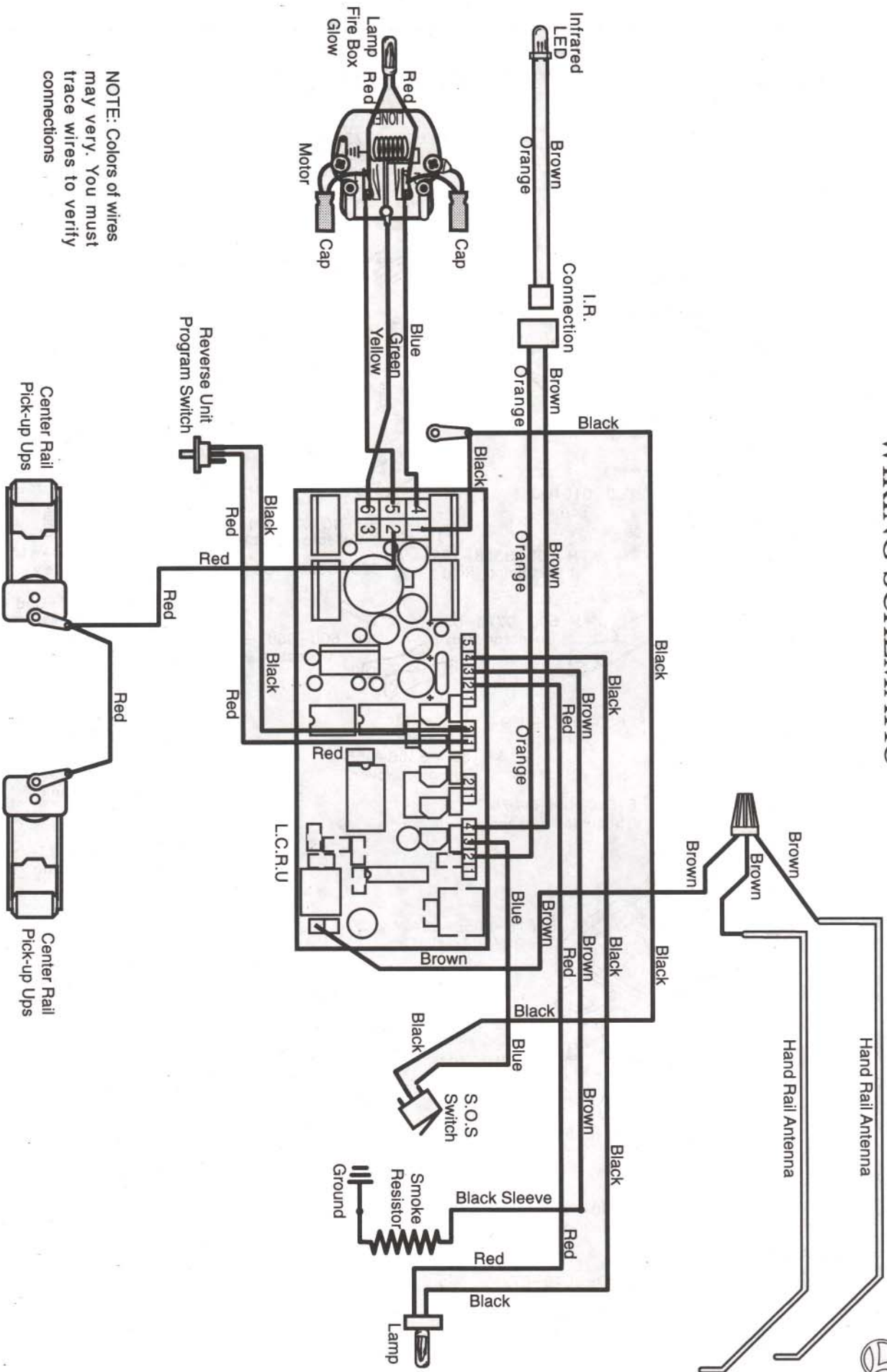
(Page 6 of 8)



610-8056-001 763E N.Y.C. J1-E HUDSON LOCOMOTIVE
 610-8062-001 704 A.T.S.F. WARHORSE HUDSON LOCOMOTIVE



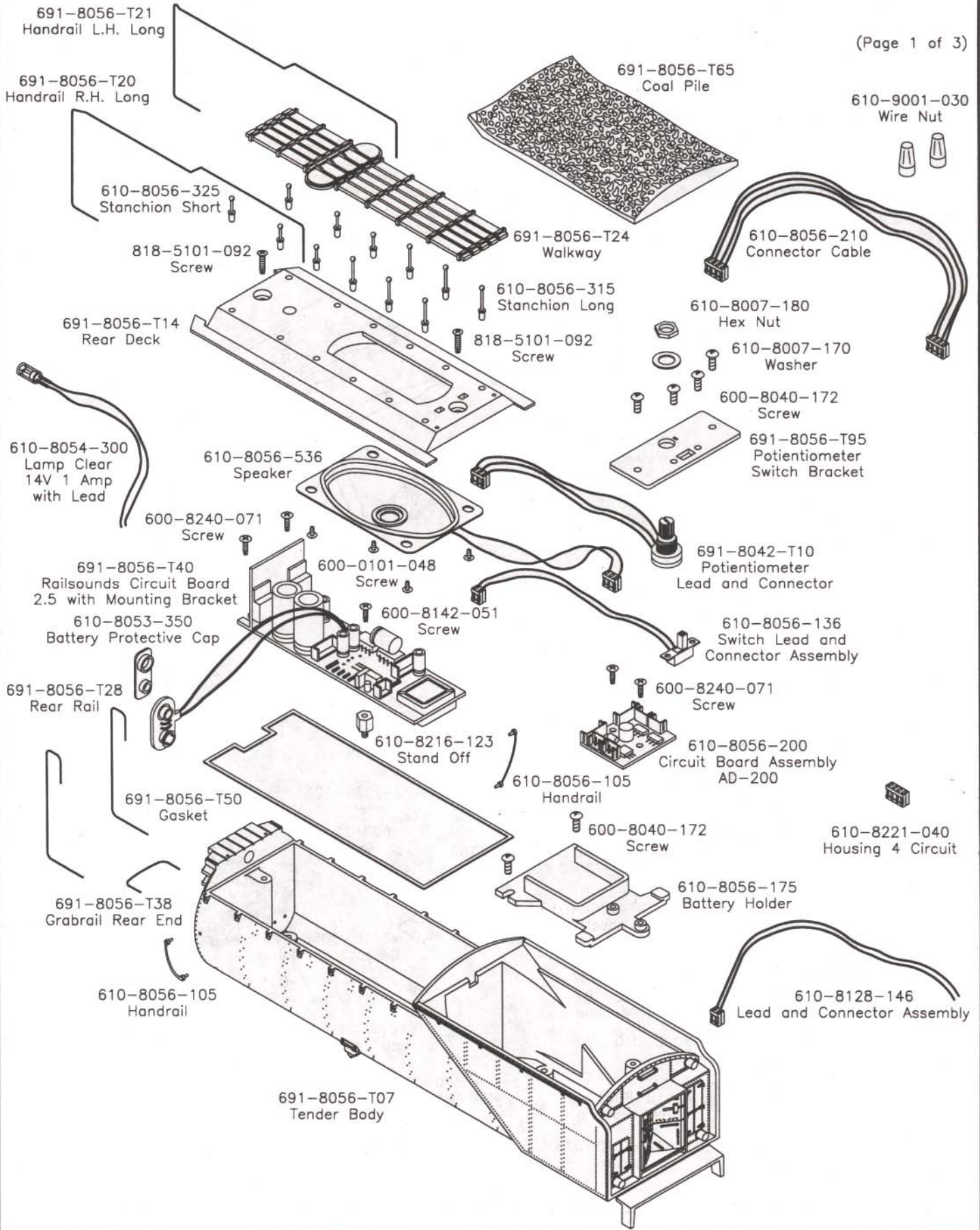
610-8056-001 763E-N.Y.C. JI-E HUDSON LOCOMOTIVE
 610-8062-001 704 A.T.S.F. WARHORSE HUDSON LOCOMOTIVE
WIRING SCHEMATIC



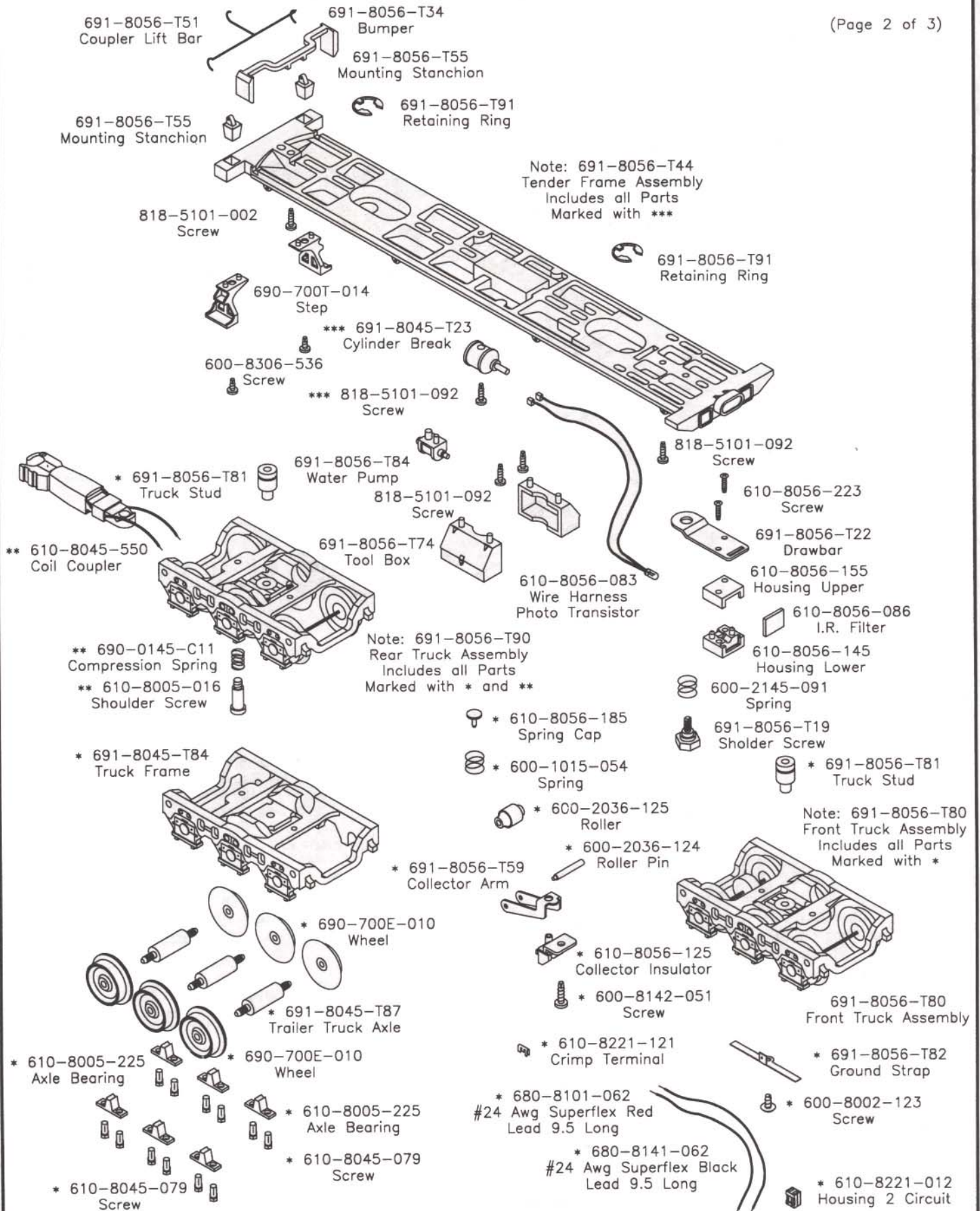
NOTE: Colors of wires may vary. You must trace wires to verify connections

691-8056-T01 763E N.Y.C. VANDERBILT TENDER

(Page 1 of 3)

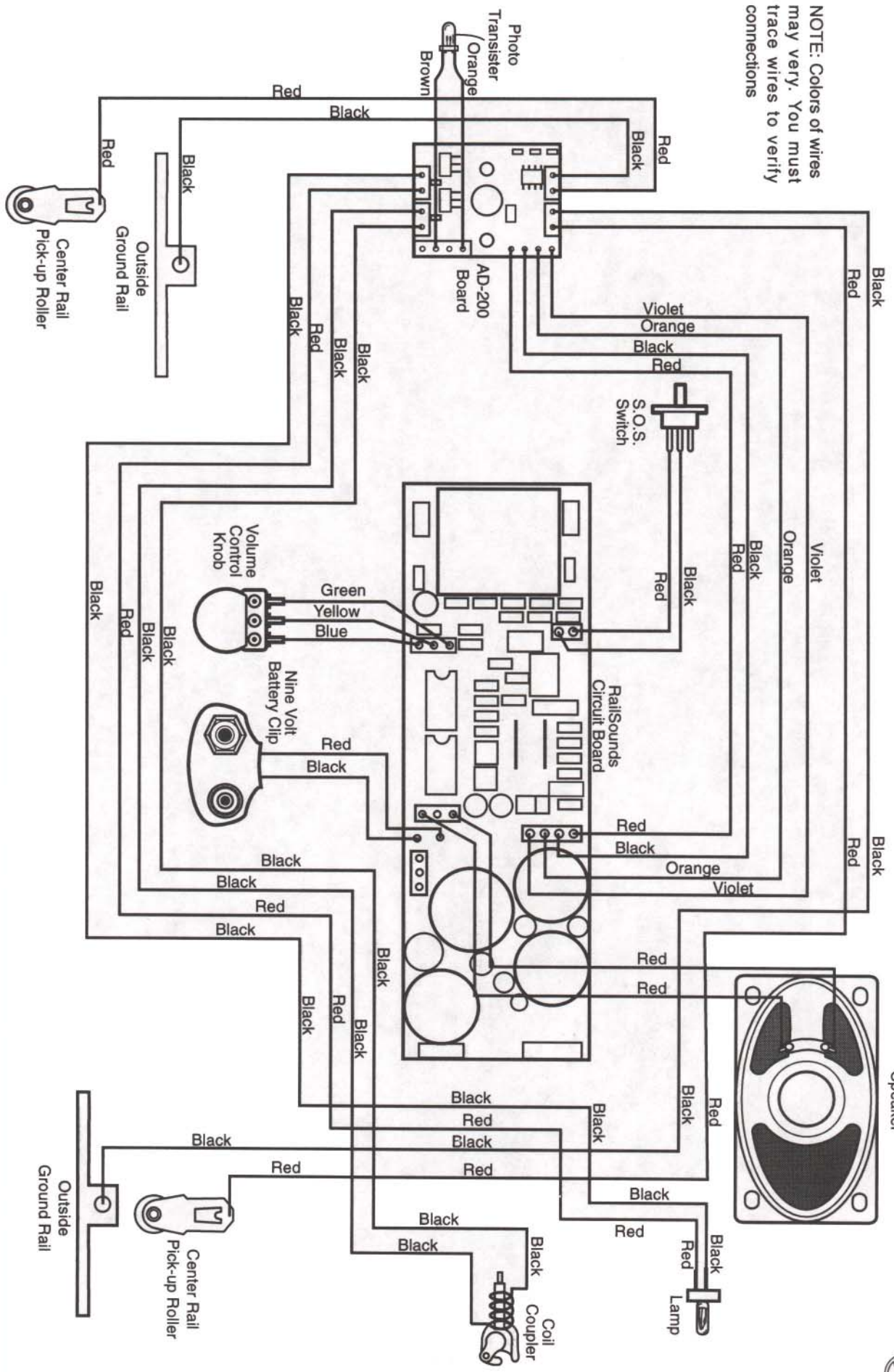


691-8056-T01 763E N.Y.C. VANDERBILT TENDER



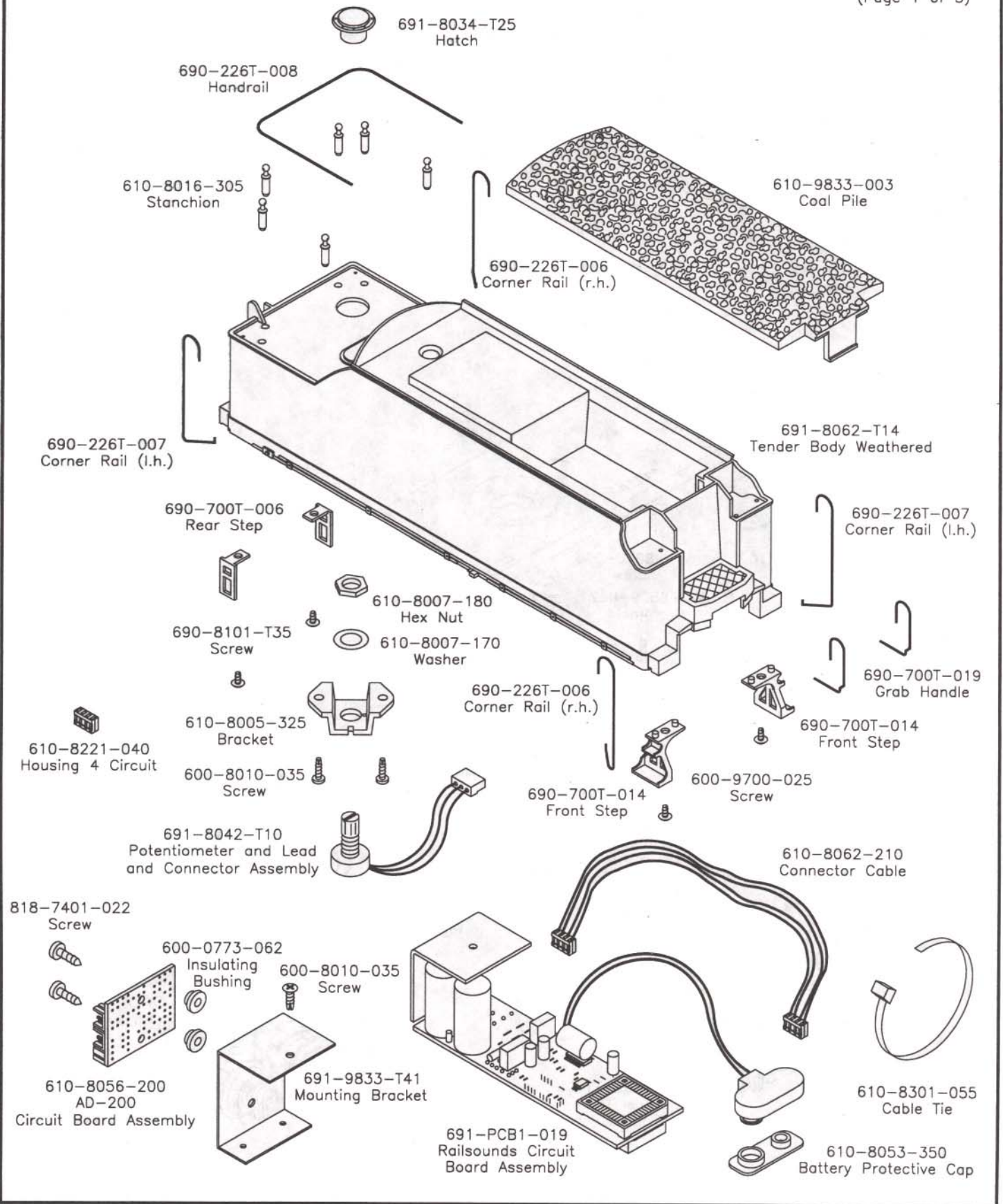
691-8056-T01 763 R.S. N.Y.C. VANDERBILT TENDER WIRING SCHEMATIC

NOTE: Colors of wires may vary. You must trace wires to verify connections



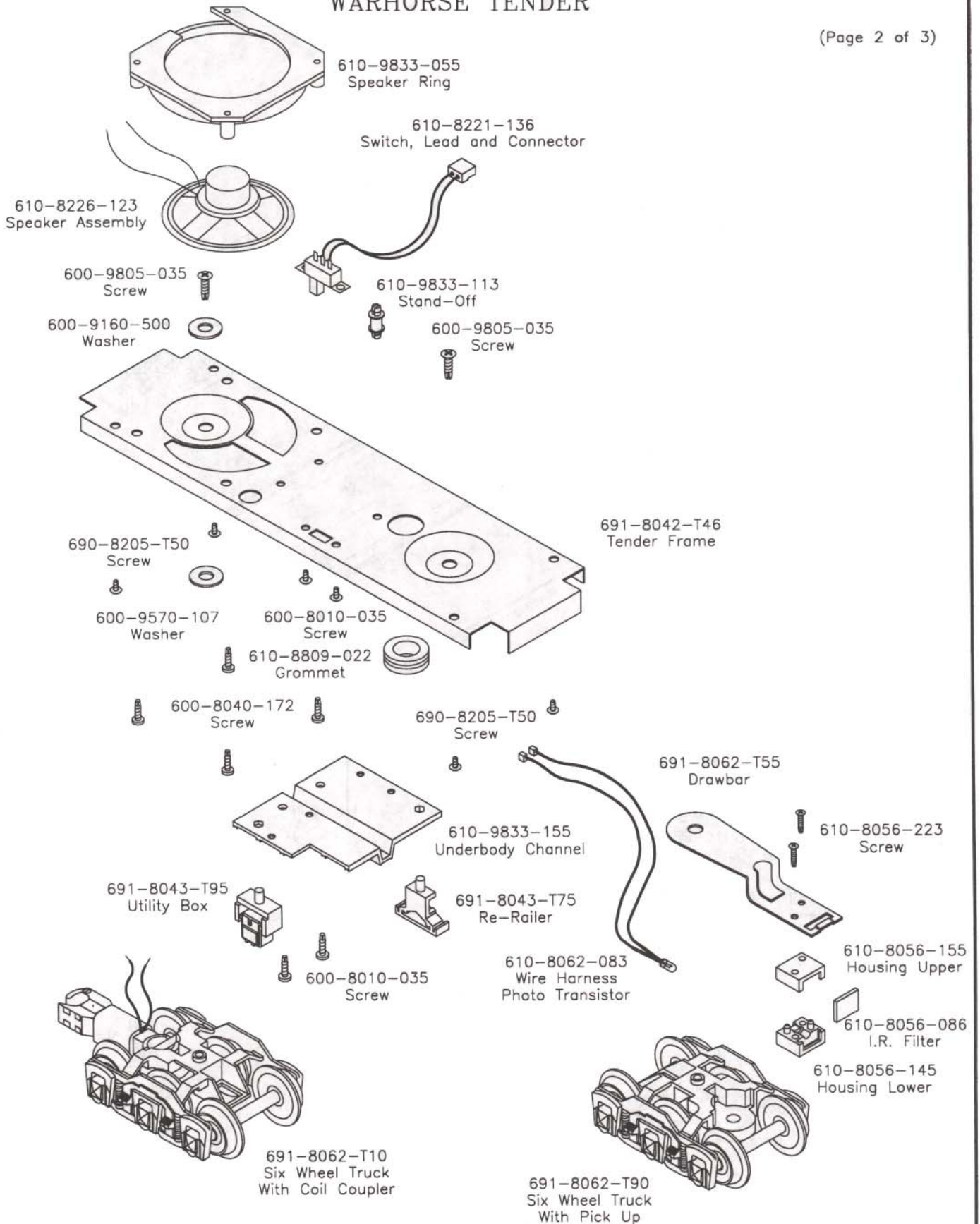
691-8062-T01 704 A.T.S.F. WARHORSE TENDER

(Page 1 of 3)



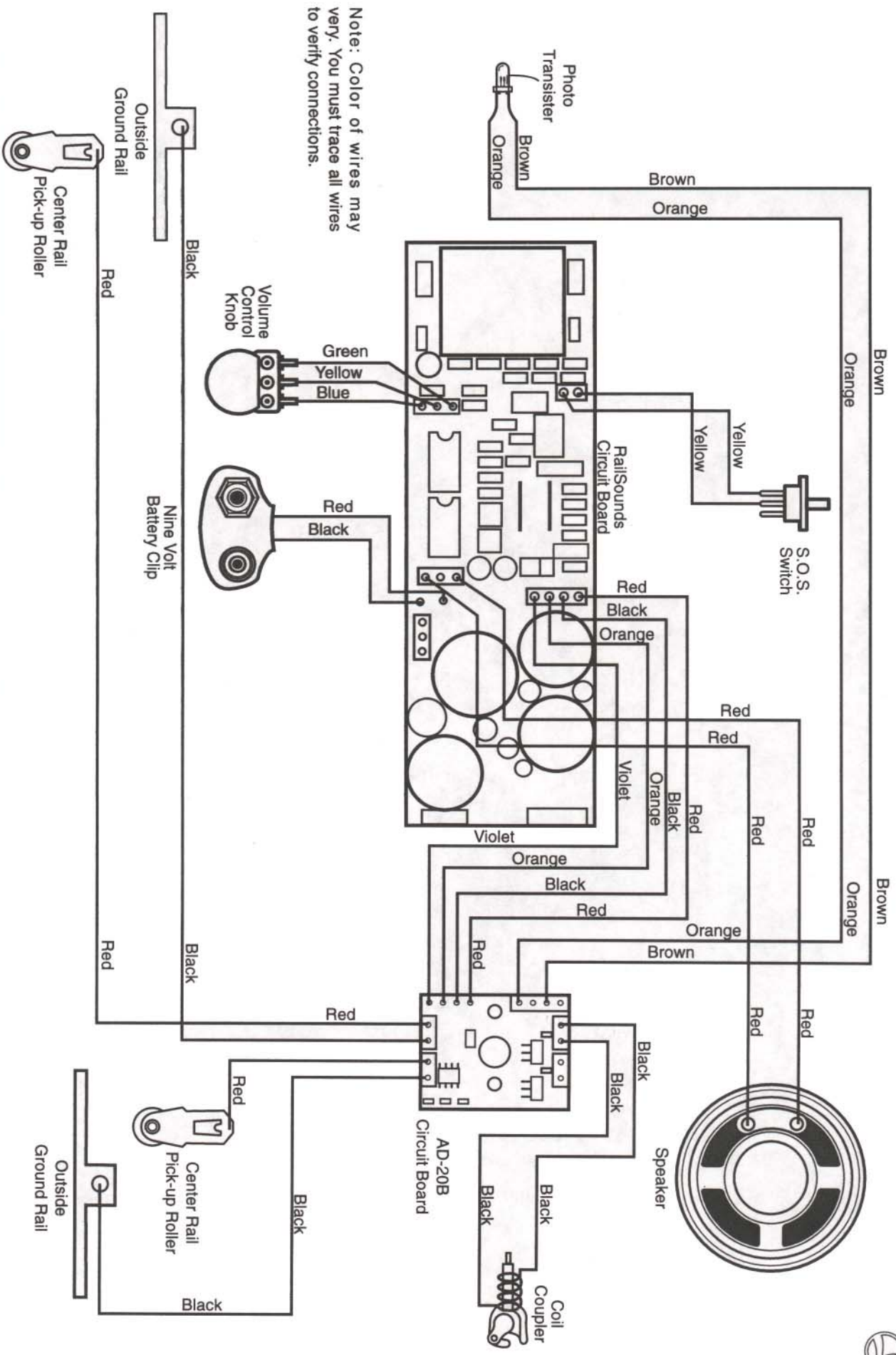
691-8062-T01 704 A.T.S.F.
WARHORSE TENDER

(Page 2 of 3)



691-8062-T01 704 A.T.S.F. WARHORSE TENDER WIRING SCHEMATIC

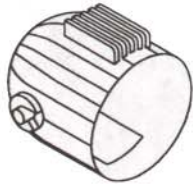
Page 3 of 3



Note: Color of wires may vary. You must trace all wires to verify connections.

EXTENSION SEARCHLIGHT CARS

(Page 1 of 2)



6XX-XXXX-XXX
Searchlight Housing
(Ref. 3)



610-9854-075
Searchlight Lens
(Amber Fire Car)

600-6520-011
Searchlight Lens
Clear



600-0363-300
Lamp
600-1445-300
Lamp, 18V (Fire Car)



610-6625-066
Cord, Washer and
Eyelet Assembly



600-2145-091
Spring



600-3520-021
Bayonette Sleeve



600-3650-006
Spring Washer



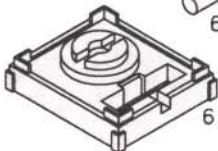
600-3520-009
Searchlight Bracket



610-XXXX-XXX
Magnet Retainer
(Ref. 8)



610-6615-024
Magnet



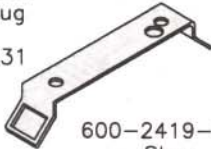
610-XXXX-XXX
Lamp Base
(Ref. 7)



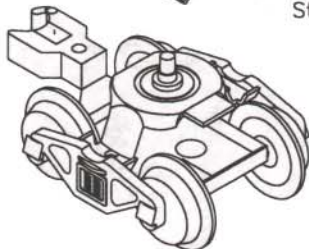
690-1689-E17
Terminal Lug



600-3650-031
Eyelet



600-2419-005
Step



610-6720-090
Truck Without
Pickup Metal
(Ref. 12)

610-XXXX-XXX
Spool Half
(Ref. 5)



650-8400-550
Screw



650-8400-550
Screw

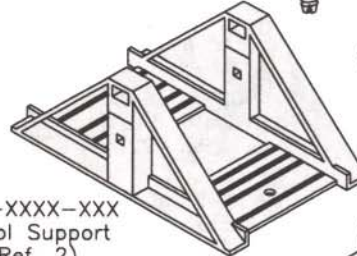
600-9234-011
Pal Nut



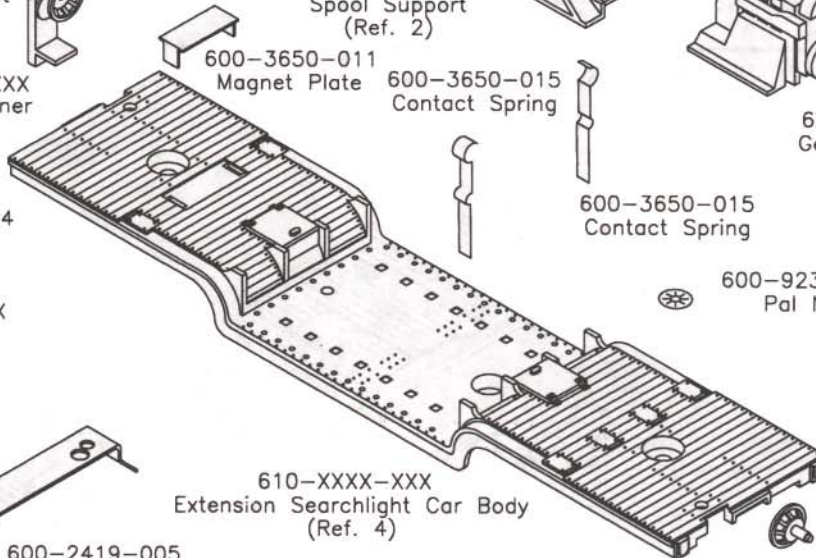
610-1600-061
Brake Wheel and
Stand Assembly Metal
(Ref. 9)



6XX-XXXX-XXX
Spool Support
(Ref. 2)



600-3650-011
Magnet Plate



600-3650-015
Contact Spring



600-3650-015
Contact Spring



600-9234-011
Pal Nut

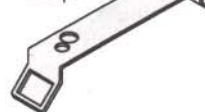


610-XXXX-XXX
Extension Searchlight Car Body
(Ref. 4)



610-6666-022
Wire Retainer

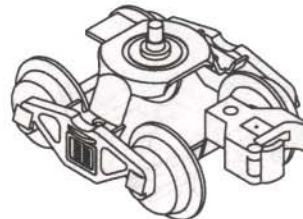
600-2419-005
Step



600-9020-010
Brake Wheel
Plastic (Ref. 10)

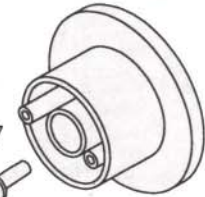


600-9233-009
Brake Stand
Metal (Ref. 11)



610-6720-095
Truck With
Pickup Metal
(Ref. 13)

600-3650-007
Eyelet Axle



600-0717-051
Washer

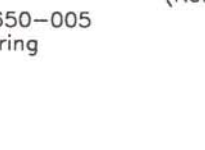


600-3650-005
Spring

600-3650-007
Eyelet Axle



610-XXXX-XXX
Spool Half with Gear
(Ref. 6)



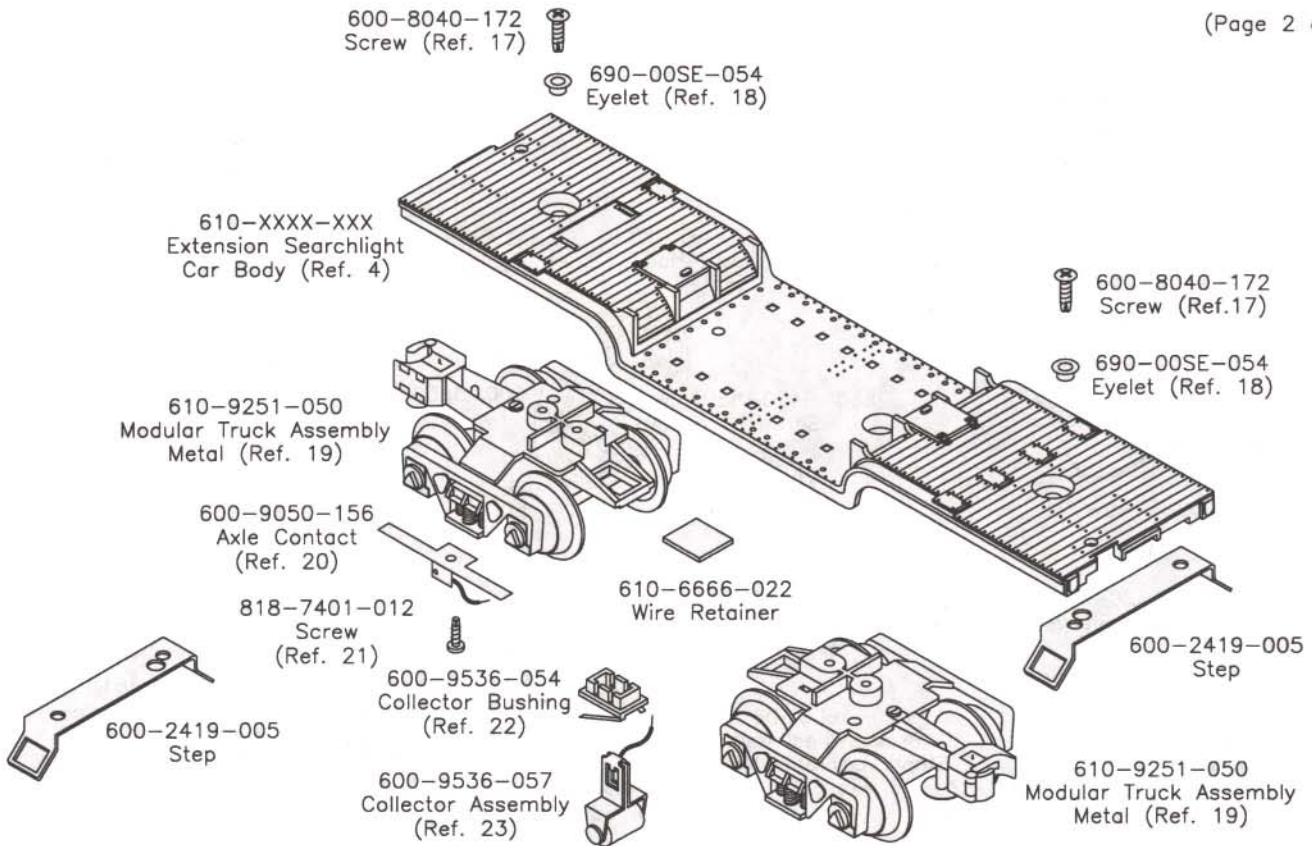
600-8240-071
Screw

600-8240-071
Screw

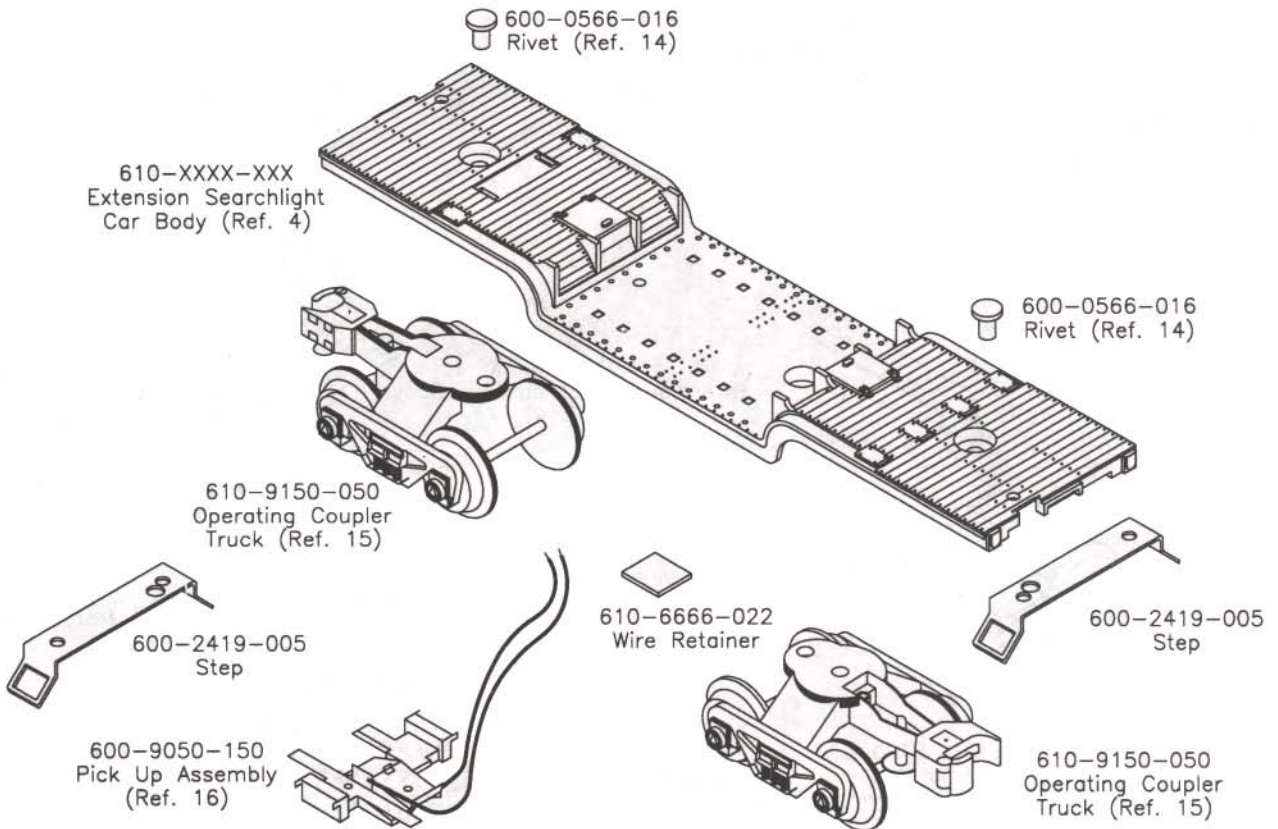


EXTENSION SEARCHLIGHT CARS WITH DIE-CAST METAL MODULAR TRUCKS

(Page 2 of 2)



EXTENSION SEARCHLIGHT CARS WITH PLASTIC TRUCKS



601-6615-000 LIONEL LINES EXTENSION SEARCHLIGHT CAR WITH PLASTIC TRUCKS

UNIQUE COMPONENTS

PART NUMBER											DESCRIPTION	QTY	REF #	
6	0	0	-	0	0	5	2	-	0	1	4	Generator Motor (gray)	1	1
6	0	0	-	3	6	5	0	-	0	1	4	Spool support (black)	1	2
6	0	0	-	6	8	2	2	-	0	5	2	Searchlight housing (black)	1	3
6	1	0	-	6	6	1	5	-	0	0	7	Ext. Searchlight car body L.L.	1	4
6	1	0	-	6	6	1	5	-	0	1	5	Spool half (green)	1	5
6	1	0	-	6	6	1	5	-	0	2	5	Spool half with gear (green)	1	6
6	1	0	-	6	6	1	5	-	0	3	5	Lamp base (gray)	1	7
6	1	0	-	6	6	1	5	-	0	4	5	Magnet retainer (gray)	1	8
6	0	0	-	9	0	2	0	-	0	1	0	Brake wheel (plastic)	2	10
6	0	0	-	9	2	3	3	-	0	0	9	Brake stand (metal)	2	11
6	0	0	-	0	5	6	6	-	0	1	6	Rivet (truck mounting)	2	14
6	1	0	-	9	1	5	0	-	0	5	0	Operating coupler truck	2	15
6	0	0	-	9	0	5	0	-	1	5	0	Pick up assembly	1	16

601-6625-000 N.Y.C. EXTENSION SEARCHLIGHT CAR WITH PLASTIC TRUCKS

PART NUMBER											DESCRIPTION	QTY	REF #	
6	1	0	-	6	6	2	5	-	0	6	5	Generator Motor (orange)	1	1
6	1	0	-	6	6	2	5	-	0	5	5	Spool support (red oxide)	1	2
6	1	0	-	6	6	2	5	-	0	7	5	Searchlight Housing (gray)	1	3
6	1	0	-	6	6	2	5	-	0	0	7	Ext. Searchlight car body N.Y.C.	1	4
6	1	0	-	6	6	2	5	-	0	1	5	Spool half (beige)	1	5
6	1	0	-	6	6	2	5	-	0	2	5	Spool half with gear (beige)	1	6
6	1	0	-	6	6	2	5	-	0	3	5	Lamp base (gray)	1	7
6	1	0	-	6	6	2	5	-	0	4	5	Magnet retainer (gray)	1	8
6	0	0	-	9	0	2	0	-	0	1	0	Brake wheel (plastic)	2	10
6	0	0	-	9	2	3	3	-	0	0	9	Brake stand (metal)	2	11
6	0	0	-	0	5	6	6	-	0	1	6	Rivet (truck mounting)	2	14
6	1	0	-	9	1	5	0	-	0	5	0	Operating coupler truck	2	15
6	0	0	-	9	0	5	0	-	1	5	0	Pick up assembly	1	16

**601-6637-000 WESTERN PACIFIC EXTENSION SEARCHLIGHT CAR WITH
PLASTIC TRUCKS**

UNIQUE COMPONENTS

PART NUMBER												DESCRIPTION	QTY	REF #
6	1	0	-	6	6	3	7	-	0	6	5	Generator Motor (gray)	1	1
6	1	0	-	6	6	3	7	-	0	5	5	Spool Support (red oxide)	1	2
6	0	0	-	6	8	2	2	-	0	5	2	Searchlight Housing (Black)	1	3
6	1	0	-	6	6	3	7	-	0	0	3	Ext. Searchlight car body W.P.	1	4
6	1	0	-	6	6	3	7	-	0	1	5	Spool half (orange)	1	5
6	1	0	-	6	6	3	7	-	0	2	5	Spool half with gear (orange)	1	6
6	1	0	-	6	6	3	7	-	0	3	5	Lamp base (orange)	1	7
6	1	0	-	6	6	3	7	-	0	4	5	Magnet retainer (orange)	1	8
6	0	0	-	9	0	2	0	-	0	1	0	Brake wheel (plastic)	2	10
6	0	0	-	9	2	3	3	-	0	0	9	Brake Stand (metal)	2	11
6	0	0	-	0	5	6	6	-	0	1	6	Rivet truck mounting	2	14
6	1	0	-	9	1	5	0	-	0	5	0	Operating coupler truck	2	15
6	0	0	-	9	0	5	0	-	1	5	0	Pick up assembly	1	16

601-6685-000 ERIE EXTENSION SEARCHLIGHT CAR WITH PLASTIC TRUCKS

PART NUMBER												DESCRIPTION	QTY	REF #
6	1	0	-	6	6	8	5	-	0	6	5	Generator Motor (gray)	1	1
6	0	0	-	3	6	5	0	-	0	1	4	Spool support	1	2
6	0	0	-	6	8	2	2	-	0	5	2	Searchlight housing (black)	1	3
6	1	0	-	6	6	8	5	-	0	0	7	Ext. Searchlight car body Erie	1	4
6	1	0	-	6	6	8	5	-	0	1	5	Spool half (yellow)	1	5
6	1	0	-	6	6	8	5	-	0	2	5	Spool half with gear (yellow)	1	6
6	1	0	-	6	6	8	5	-	0	3	5	Lamp base (yellow)	1	7
6	1	0	-	6	6	8	5	-	0	4	5	Magnet Retainer (yellow)	1	8
6	0	0	-	9	0	2	0	-	0	1	0	Brake wheel (plastic)	2	10
6	0	0	-	9	2	3	3	-	0	0	9	Brake stand (metal)	2	11
6	0	0	-	0	5	6	6	-	0	1	6	Rivet truck mounting	2	14
6	1	0	-	9	1	5	0	-	0	5	0	Operating coupler truck	2	15
6	0	0	-	9	0	5	0	-	1	5	0	Pick up assembly	1	16

601-6720-000 LIONEL LINES NO. 3650 EXTENSION SEARCHLIGHT CAR WITH METAL TRUCKS

UNIQUE COMPONENTS

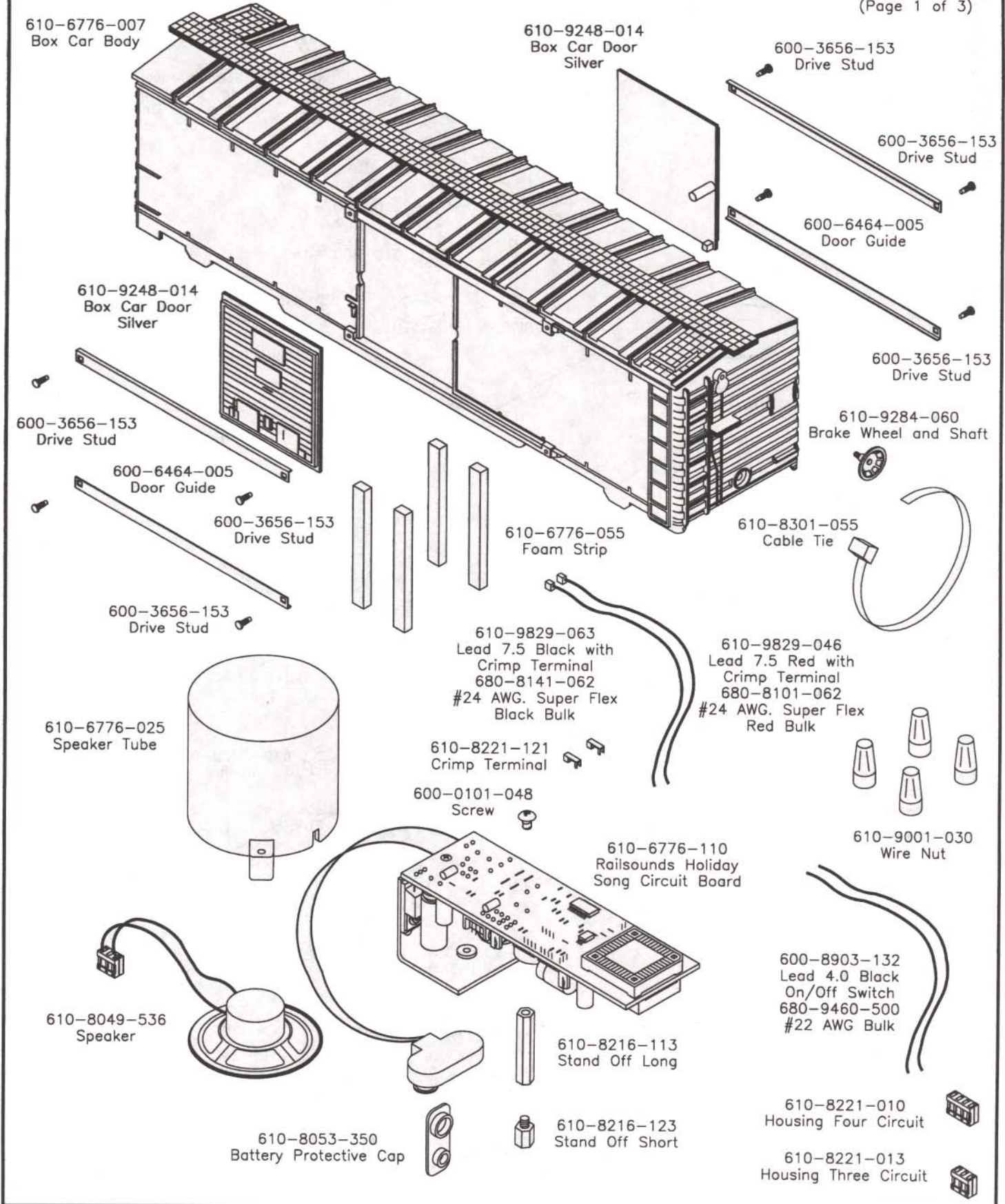
PART NUMBER											DESCRIPTION	QTY	REF #	
6	1	0	-	6	7	2	0	-	0	6	4	Generator Motor (dark gray)	1	1
6	1	0	-	6	7	2	0	-	0	5	4	Spool support (black)	1	2
6	1	0	-	6	7	2	0	-	0	7	4	Searchlight Housing (dark gray)	1	3
6	1	0	-	6	7	2	0	-	0	0	7	Ext. Searchlight car body L.L.	1	4
6	1	0	-	6	7	2	0	-	0	1	4	Spool half (red)	1	5
6	1	0	-	6	7	2	0	-	0	2	4	Spool half with gear (red)	1	6
6	1	0	-	6	7	2	0	-	0	3	5	Lamp base (red)	1	7
6	1	0	-	6	7	2	0	-	0	4	5	Magnet retainer (red)	1	8
6	1	0	-	1	6	0	0	-	0	6	1	Brake wheel & stand assembly	2	9
6	1	0	-	6	7	2	0	-	0	9	0	Oper. coupler truck w/o pick up	1	12
6	1	0	-	6	7	2	0	-	0	9	5	Oper. coupler truck with pick up	1	13

601-9854-000 LIONEL FIRE COMPANY EXTENSION SEARCHLIGHT CAR WITH MODULAR TRUCKS (metal)

PART NUMBER											DESCRIPTION	QTY	REF #	
6	1	0	-	9	4	4	2	-	0	6	5	Generator Motor (yellow)	1	1
6	1	0	-	9	8	5	4	-	0	5	4	Spool support (gray)	1	2
6	0	0	-	6	8	2	2	-	0	5	2	Searchlight housing (black)	1	3
6	1	0	-	9	8	5	4	-	0	0	7	Ext. Searchlight car body L.F. Co.	1	4
6	1	0	-	9	8	5	4	-	0	1	5	Spool half (green)	1	5
6	1	0	-	9	8	5	4	-	0	2	5	Spool half with gear (green)	1	6
6	1	0	-	9	8	5	4	-	0	3	5	Lamp base (black)	1	7
6	1	0	-	9	8	5	4	-	0	4	5	Magnet Retainer (black)	1	8
6	1	0	-	1	6	0	0	-	0	6	1	Brake wheel & stand assembly	2	9
6	0	0	-	8	0	4	0	-	1	7	2	Screws (truck mounting)	2	17
6	9	0	-	0	0	s	e	-	0	5	4	Eyelet (truck mounting)	2	18
6	1	0	-	9	2	5	1	-	0	5	0	Modular truck assembly (metal)	2	19
6	0	0	-	9	0	5	0	-	1	5	6	Axle contact	1	20
8	1	8	-	7	4	0	1	-	0	1	2	Screw (axle contact mounting)	1	21
6	0	0	-	9	5	3	6	-	0	5	4	Collector Bushing	1	22
6	0	0	-	9	5	3	6	-	0	5	7	Collector Assembly	1	23

601-6776-000 HOLIDAY SONG BOX CAR

(Page 1 of 3)



601-6776-000 HOLIDAY SONG BOX CAR

(Page 2 of 3)

690-8205-T50
Screw

690-00SE-053
Eyelet

690-671M-023
Washer

610-8221-116
Potentiometer, Lead and
Connector Assembly

610-8007-325
Potentiometer Bracket

625-3664-303
Miniature Switch

610-8809-022
Grommet

610-8007-170
Washer

610-8007-180
Hex Nut

Note: Some production models did not use 690-671M-023 Washer. Only the Eyelet 690-00SE-053 was used.

610-6776-009
Box Car Frame

650-8400-550
Screw

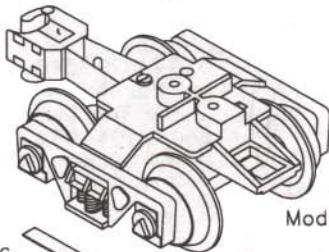
610-9738-055
Washer

600-8142-051
Screw

690-671M-023
Washer

690-00SE-053
Eyelet

691-8040-T50
Battery Clip



690-8101-T35
Screw

600-0101-048
Screw

610-9252-050
Modular Truck Assembly

600-2036-164
Screw

690-00SE-034
Eyelet

600-8010-035
Screw

600-9050-156
Axle Contact

818-7401-012
Screw

610-9658-144
Lead 7.0 Black
Axle Contact
680-8040-144
#24 AWG. Black

600-9536-054
Collector Bushing

600-9536-057
Pick-Up Assembly

610-9738-055
Washer

610-6776-060
Modular Truck Assembly
with Magnet

600-9536-054
Collector Bushing

600-9536-057
Pick-Up Assembly

600-9050-156
Axle Contact

818-7401-012
Screw

610-9658-244
Lead 7.0 Black
with White Tracer
Collector Pick-Ups
680-2763-144
#24 AWG. Wire Black
with White Tracer

691-8042-T87
Sensor Lead and
Terminal Assembly

610-6776-045
Sensor Bracket

600-8600-052
Screw

601-6776-000 HOLIDAY RAIL SOUNDS BOXCAR WIRING SCHEMATIC

Page 2 of 2



NOTE: Colors of wires may vary. You must trace wires to verify connections

