



LIONEL

\$10.00
#610-0042-001
Issued 4-99

PARTS LIST AND EXPLODED DIAGRAMS SUPPLEMENT 42

Produced by Lionel®
50625 Richard W. Boulevard
Chesterfield, MI 48051-2493

CONTENTS

O and O27 gauges

Diesel Engines & Motorized Units

Switcher	
AEC-57	6-18583
Fire Car	
Lionelville	6-18444
New York Central	6-18445
GP-20	
Milwaukee Road	6-18574
Centennial 1998	6-18858
Dash 8-40B	
Conrail	6-18240

Steam Locomotives

GS-4 Northern	
Southern Pacific Daylight	6-18071
S-2 Steam Turbine	
Pennsylvania No. 671	6-18057

Tenders

Streamlined	
Large Round Type	
Southern Pacific Daylight	691-8071-T01
Turbine Tender	
Pennsylvania No.671	691-8057-T01

Rolling Stock

Firefighting Instruction Car	
Lionelville	6-19853
Fire Response Unit	
New York Central	6-19857

Copyright© 1999
By Lionel
All Rights Reserved

This supplement is designed to fit with two different publications, the *Lionel Service Manual* 1986 to 1999 and *Lionel Parts List and Exploded Diagrams*.

Each page has two numbers. The number for the *Lionel Service Manual* is indicated by parentheses, e.g., (B-84). The number which applies to *Lionel Parts Lists and Exploded Diagrams* is above the parentheses, e.g., S42: 1-1.

NUMERICAL LISTINGS SUPPLEMENT 42

601-8240-000	S42: 1-14,15,16,17
601-8444-000	S42: 1-4,5
601-8445-000	S42: 1-4,5
601-8574-000	S42:1-9,10,11,12
601-8583-000	S42: 1-1,2,3
601-8858-000	S42: 1-9,10,11,12
601-9853-000	S42: 1-6,7,8
601-9857-000	S42: 1-6,7,8
610-8057-001	S42: 3-5,6,7,8
610-8071-001	S42: 3-1,2,3,4
691-8057-T01	S42: 4-4,5,6
691-8071-T01	S42: 4-1,2,3

LIONEL SERVICE MANUAL

INDEX BY LETTER SUPPLEMENT 42

Description	Drawing
Diesel Locomotives Power Units	
Switcher.....	B-84,2,3
601-8583-000 AEC No. 57	
Fire Car.....	B-85,2
601-8444-000 Lionelville	
601-8445-000 New York Central	
GP-20.....	B-87,2,3,4,5
601-8574-000 Milwaukee	
601-8858-000 1998 Centennial	
Dash 8-40 B.....	B-88,2,3,4
601-8240-000 Conrail	
Steam Locomotives	
GS-4 Northern.....	A-73,2,3,4
610-8071-001 Southern Pacific Daylight	
S-2 Steam Turbine.....	A-74,2,3,4,5
610-8057-001 Pennsylvania No. 671	
Tenders	
GS-4 Large Round Type.....	C69,2,3
691-8071-T01 Southern Pacific Daylight	
S-2 Turbine Tender.....	C70,2,3
691-8057-T01 Pennsylvania No. 671	
Rolling Stock	
Fire Fighting Instruction Car.....	B-86,2,3
601-9853-000 Lionelville	
Fire Response Unit Car.....	B-86,2,3
601-9857-000 New York Central	

INDEX TO LIONEL PARTS LISTS AND EXPLODED DIAGRAMS SUPPLEMENT 42

ALPHABETICAL INDEX

O AND 027 GAUGES DIESEL ENGINES

POWER UNITS

Dash 8-40B	S42:1-14,15,16,17
6-18240	Conrail
Fire Car	S42: 1-4,5
6-18444	Lionelville
6-18445	N.Y.C
GP-20	S42: 1-9,10,11,12
6-18574	Milwaukee Road
6-18858	Centennial 1998
Switcher	S42: 1-1,2,3
6-18583	AEC No. 57

TENDERS

GS-4 Large Round Type	S42: 4-1,2,3
691-8071-T01	S.P. Daylight
S-2 Turbine Tender	S42: 4-4,5,6
691-8057-T01	Pennsylvania No. 671

STEAM LOCOMOTIVES

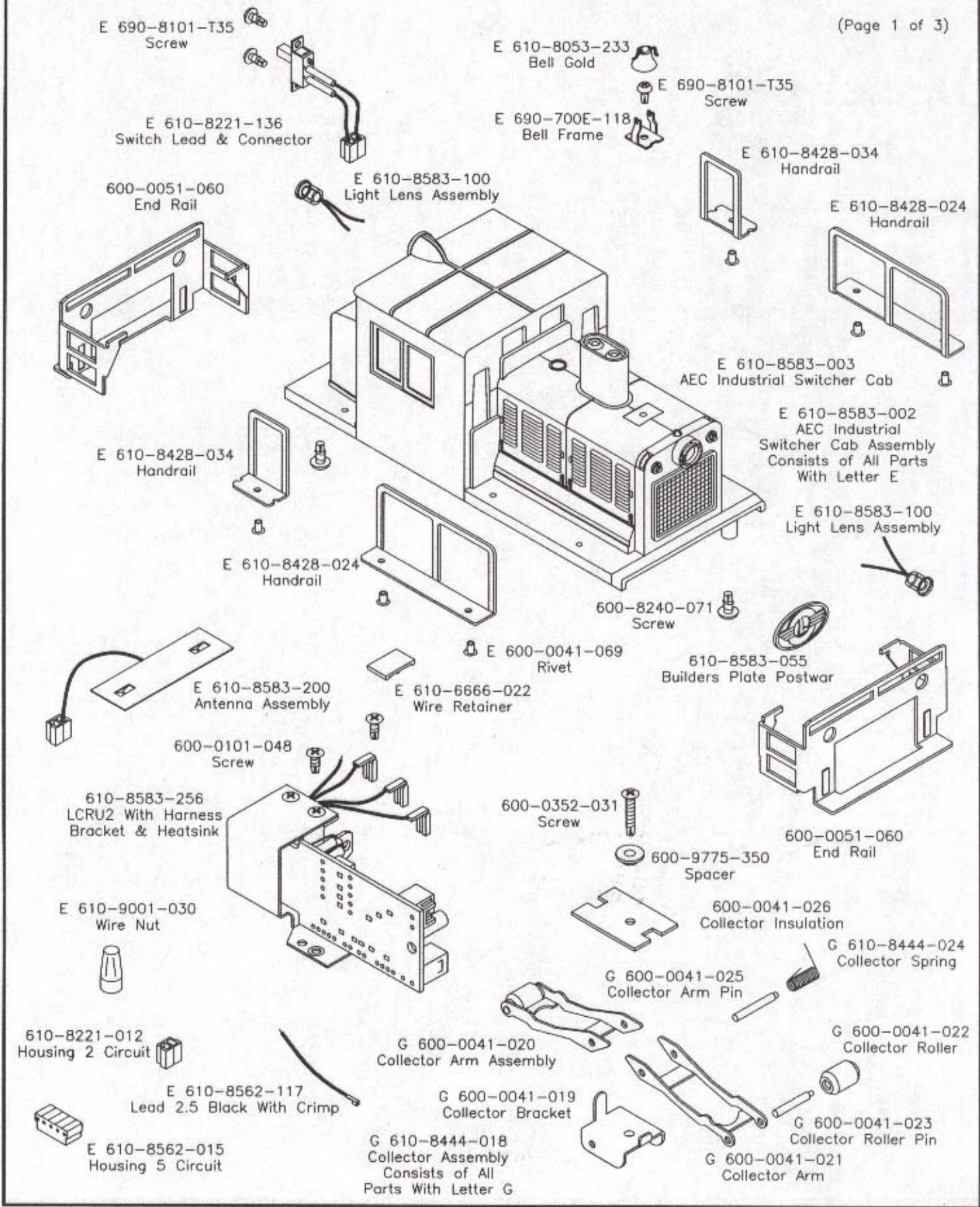
GS-4 Northern	S42:3-1,2,3,4
6-18071	Southern Pacific Daylight
S-2 Steam Turbine	S42: 3-5,6,7,8
6-18057	Pennsylvania No. 671

ROLLING STOCK

Fire Fighting	
Instruction Car	S42: 1-6,7,8
6-19853	Lionelville
Fire Response Unit	S42:1-6,7,8
6-19857	New York Central

6-18583 AEC-57 SWITCHER

(Page 1 of 3)



E 690-8101-T35
Screw

E 610-8053-233
Bell Gold

E 610-8221-136
Switch Lead & Connector

E 690-700E-118
Bell Frame

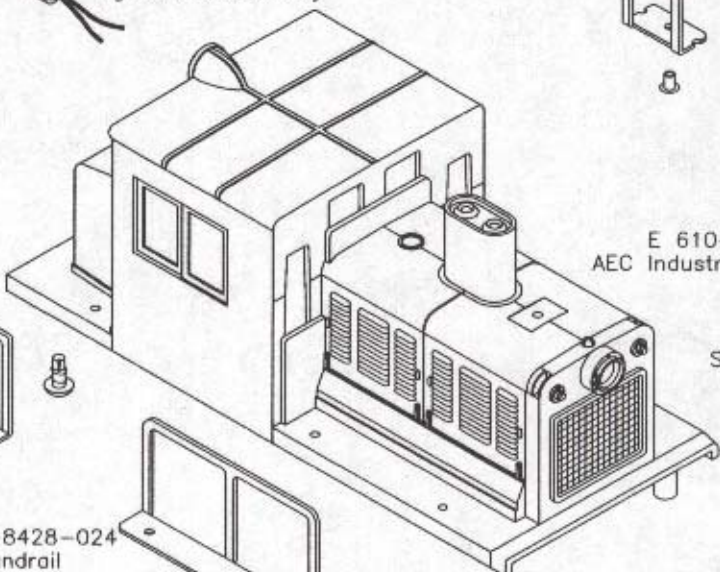
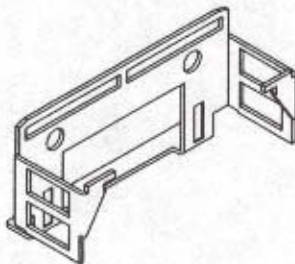
E 690-8101-T35
Screw

600-0051-060
End Rail

E 610-8583-100
Light Lens Assembly

E 610-8428-034
Handrail

E 610-8428-024
Handrail



E 610-8583-003
AEC Industrial Switcher Cab

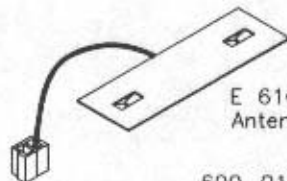
E 610-8583-002
AEC Industrial
Switcher Cab Assembly
Consists of All Parts
With Letter E

E 610-8428-034
Handrail

E 610-8583-100
Light Lens Assembly

E 610-8428-024
Handrail

600-8240-071
Screw



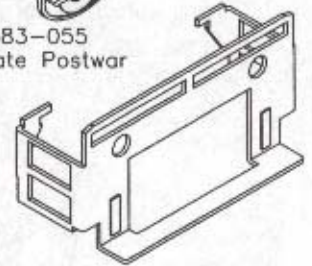
E 610-8583-200
Antenna Assembly

E 610-6666-022
Wire Retainer

610-8583-055
Builders Plate Postwar

600-0101-048
Screw

E 600-0041-069
Rivet



610-8583-256
LCRU2 With Harness
Bracket & Heatsink

600-0352-031
Screw

600-9775-350
Spacer

600-0051-060
End Rail

E 610-9001-030
Wire Nut

600-0041-026
Collector Insulation

G 610-8444-024
Collector Spring



G 600-0041-025
Collector Arm Pin

610-8221-012
Housing 2 Circuit

G 600-0041-020
Collector Arm Assembly

G 600-0041-022
Collector Roller

E 610-8562-117
Lead 2.5 Black With Crimp

G 600-0041-019
Collector Bracket

G 600-0041-023
Collector Roller Pin



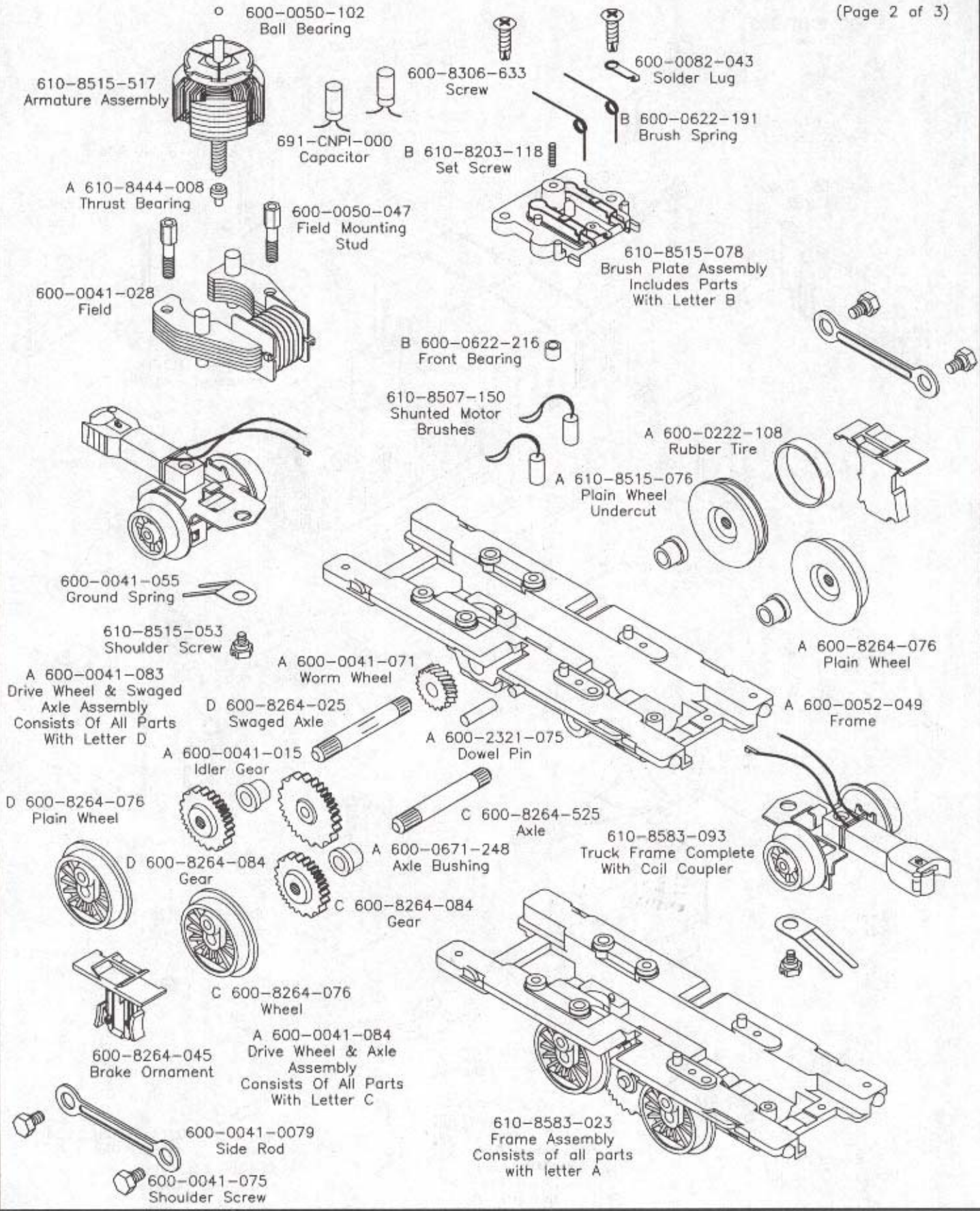
E 610-8562-015
Housing 5 Circuit

G 610-8444-018
Collector Assembly
Consists of All
Parts With Letter G

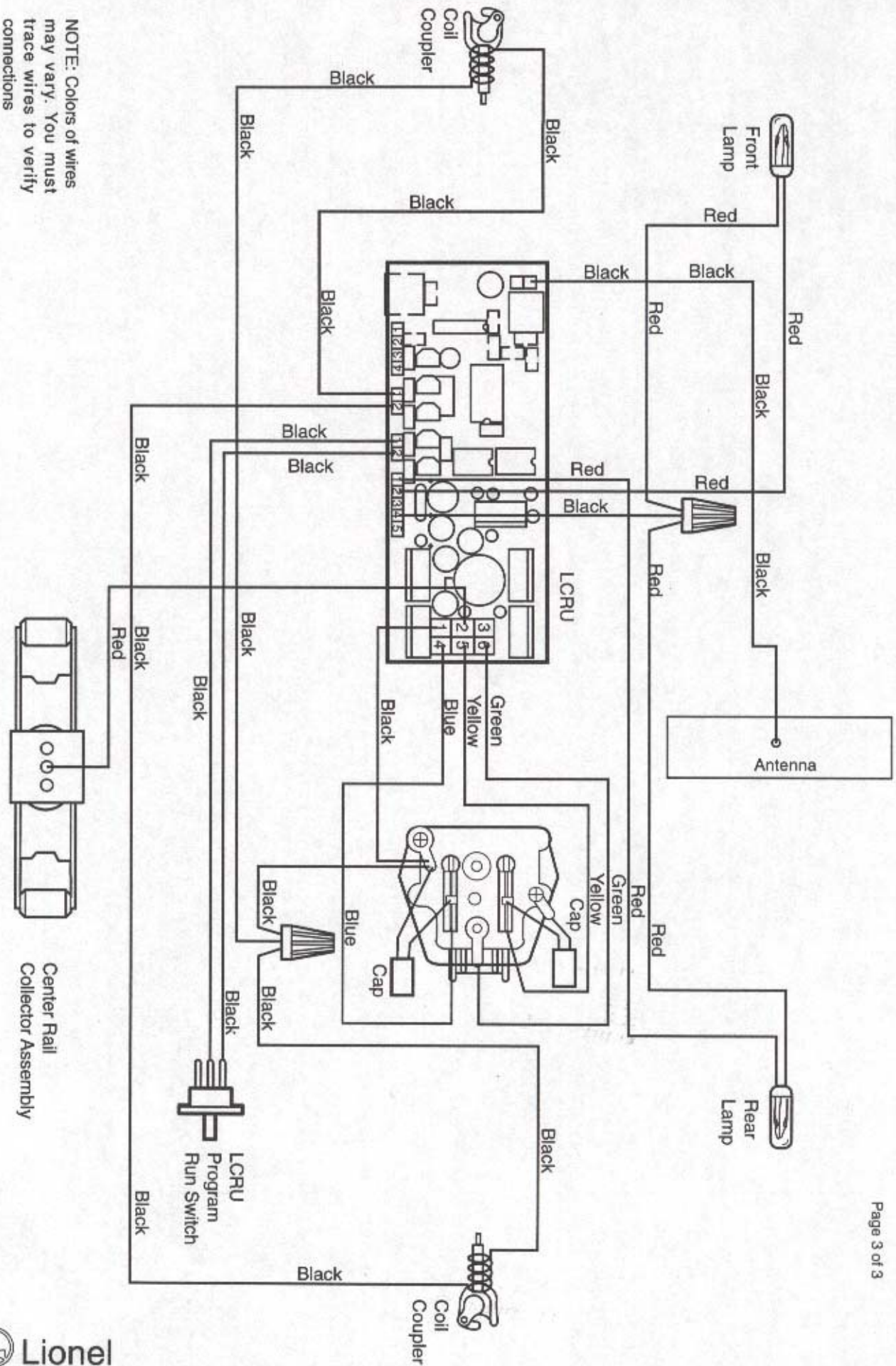
G 600-0041-021
Collector Arm

6-18583 AEC-57 SWITCHER

(Page 2 of 3)



6-18583 AEC-57 SWITCHER PICTORIAL WIRING DIAGRAM



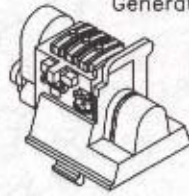
6-18444 FIRE CAR LIONELVILLE 6-18445 FIRE CAR N.Y.C.

(Page 1 of 2)

610-8444-009
Hose & Nozzle Assembly



610-8444-025
Generator Motor



610-8411-054
Figure



610-8444-015
Spool With
Crank



610-8444-035
Fire Car Seat



610-8712-500
Bell



600-0052-040
Jewel Cap



610-8444-110
Wire Harness

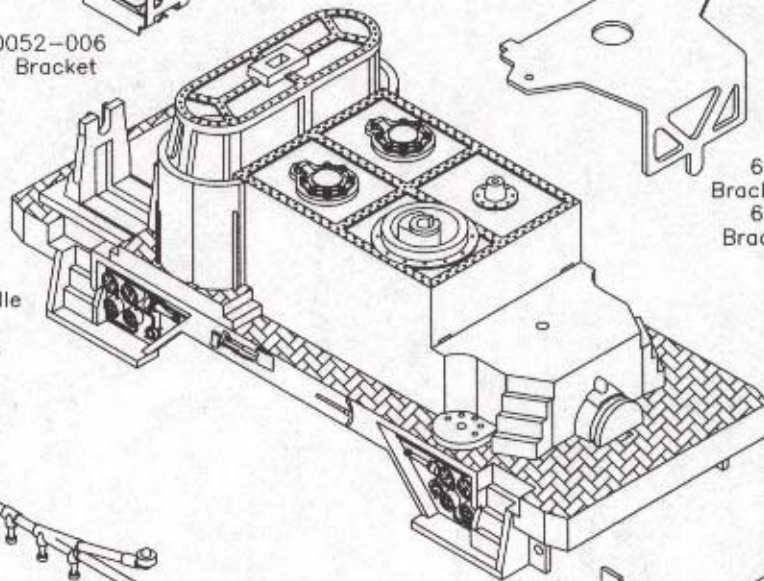


600-0052-006
Spool Bracket

610-8444-045
Outrigger



610-8444-003
Fire Car Cab Lionelville
610-8445-003
Fire Car Cab N.Y.C.



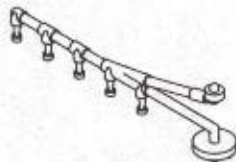
610-8444-074
Bracket Red Lionelville
610-8412-074
Bracket Black N.Y.C.

610-8444-019
Snap Rivet

610-6666-022
Wire Retainer



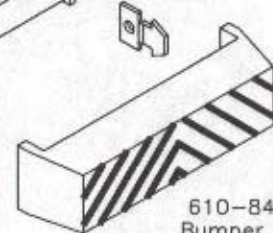
610-8444-045
Outrigger



610-8444-022
Bumper Bracket



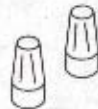
610-8412-063
Bumper Fire Car
Lionelville
610-8445-063
Bumper Fire Car
N.Y.C.



610-9846-040
Spacer



610-9001-030
Wire Nut



818-7802-130
Tinnerman Clip



600-8516-009
Bulb



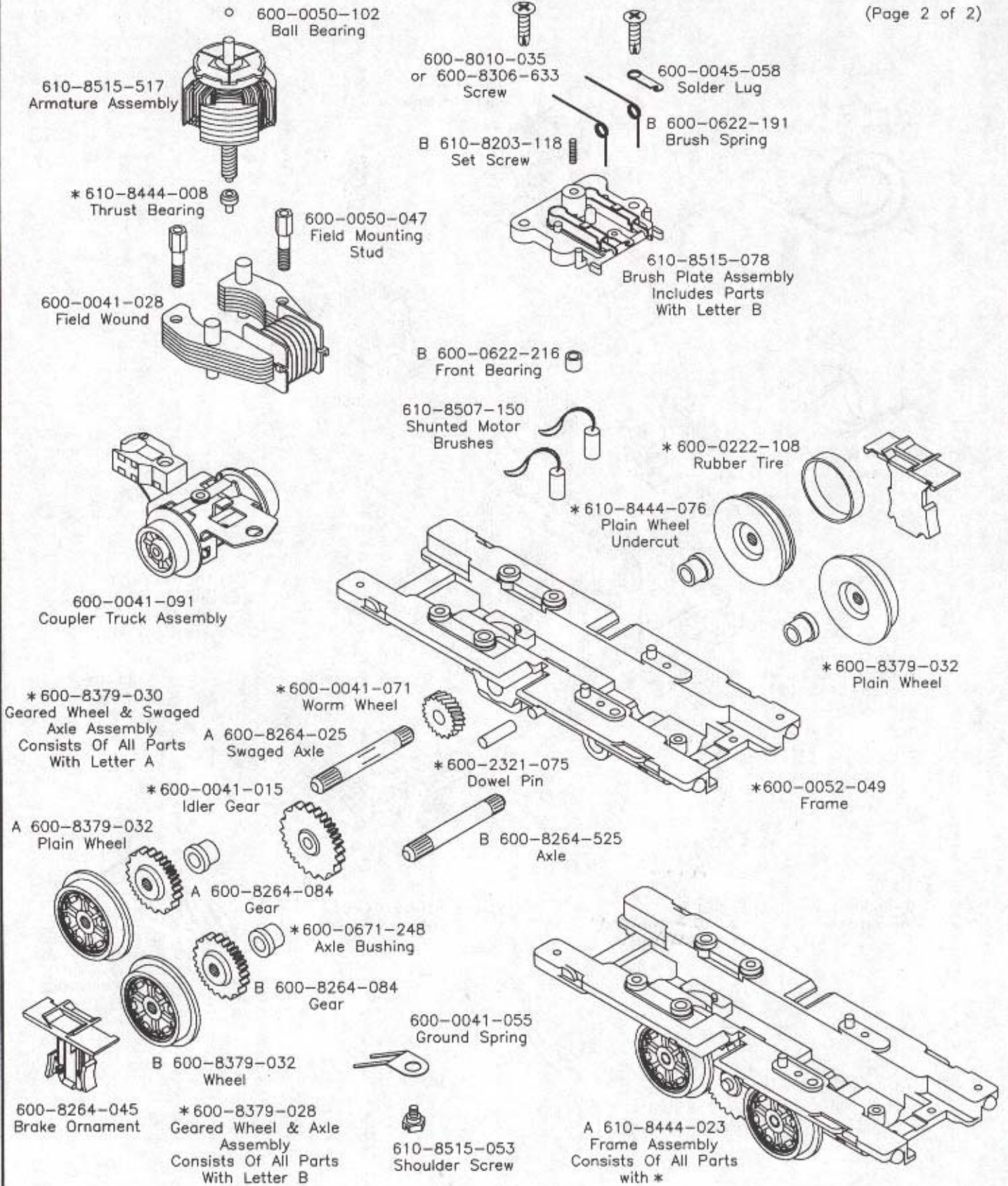
600-8240-071
Screw



600-0052-031
Shaft



6-18444 FIRE CAR LIONELVILLE
6-18445 FIRE CAR N.Y.C.



6-19853 FIRE FIGHTING INSTRUCTION CAR LIONELVILLE 6-19857 FIRE RESPONSE UNIT N.Y.C. (Page 1 of 3)

610-9853-007
Instruction
Car Body
Lionelville
610-9857-007
Instruction
Car Body
N.Y.C.

610-9853-014
Door (r.h.)
White Lionelville

610-9857-014
Door (r.h.)
Yellow N.Y.C.

610-9825-153
Drive Screw

600-3530-006
Door Guide

610-9825-153
Drive Screw

600-3530-006
Door Guide

610-9825-153
Drive Screw

610-9853-024
Door (l.h.)
White Lionelville

610-9857-024
Door (l.h.)
Yellow N.Y.C.

610-9825-153
Drive Screw

610-6776-055
Foam Strip

610-9853-024
Door (l.h.)
White Lionelville

610-9857-024
Door (l.h.)
Yellow N.Y.C.

600-9551-044
Ventilator

610-9284-060
Brakewheel
& Shaft Assembly

610-9825-153
Drive Screw

600-3530-006
Door Guide

610-9853-014
Door (r.h.)
White Lionelville
610-9857-014
Door (r.h.)
Yellow N.Y.C.

600-9700-025
Screw

610-9825-153
Drive Screw

610-8562-226
Antenna With Lead

610-8301-055
Cable Tie

680-8040-144
#24 AWG Wire Black

610-6776-025
Speaker Tube

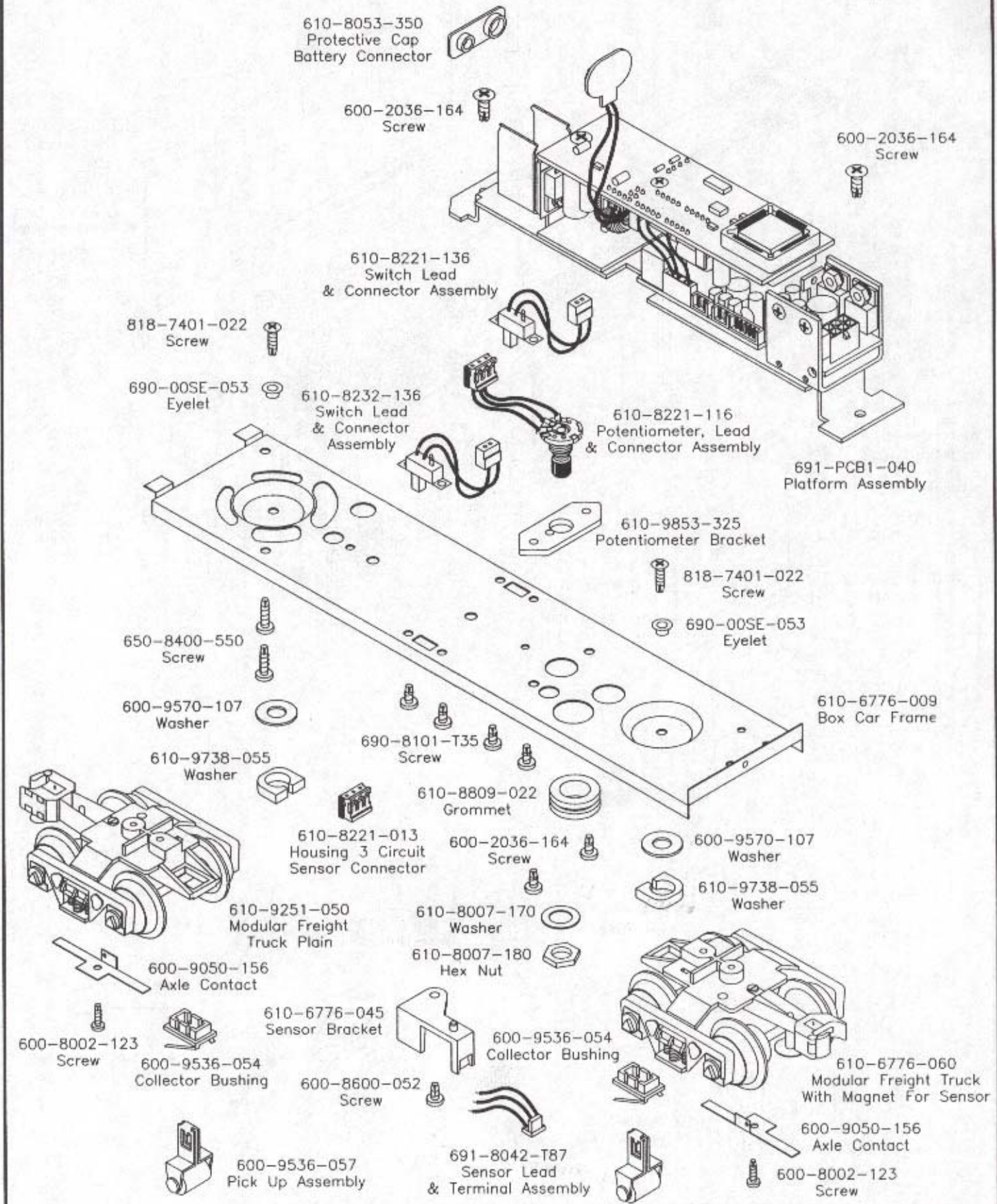
610-9001-030
Wire Nut

680-2763-144
#24 AWG Wire Black
With White Tracer

610-9853-110
Wire Harness

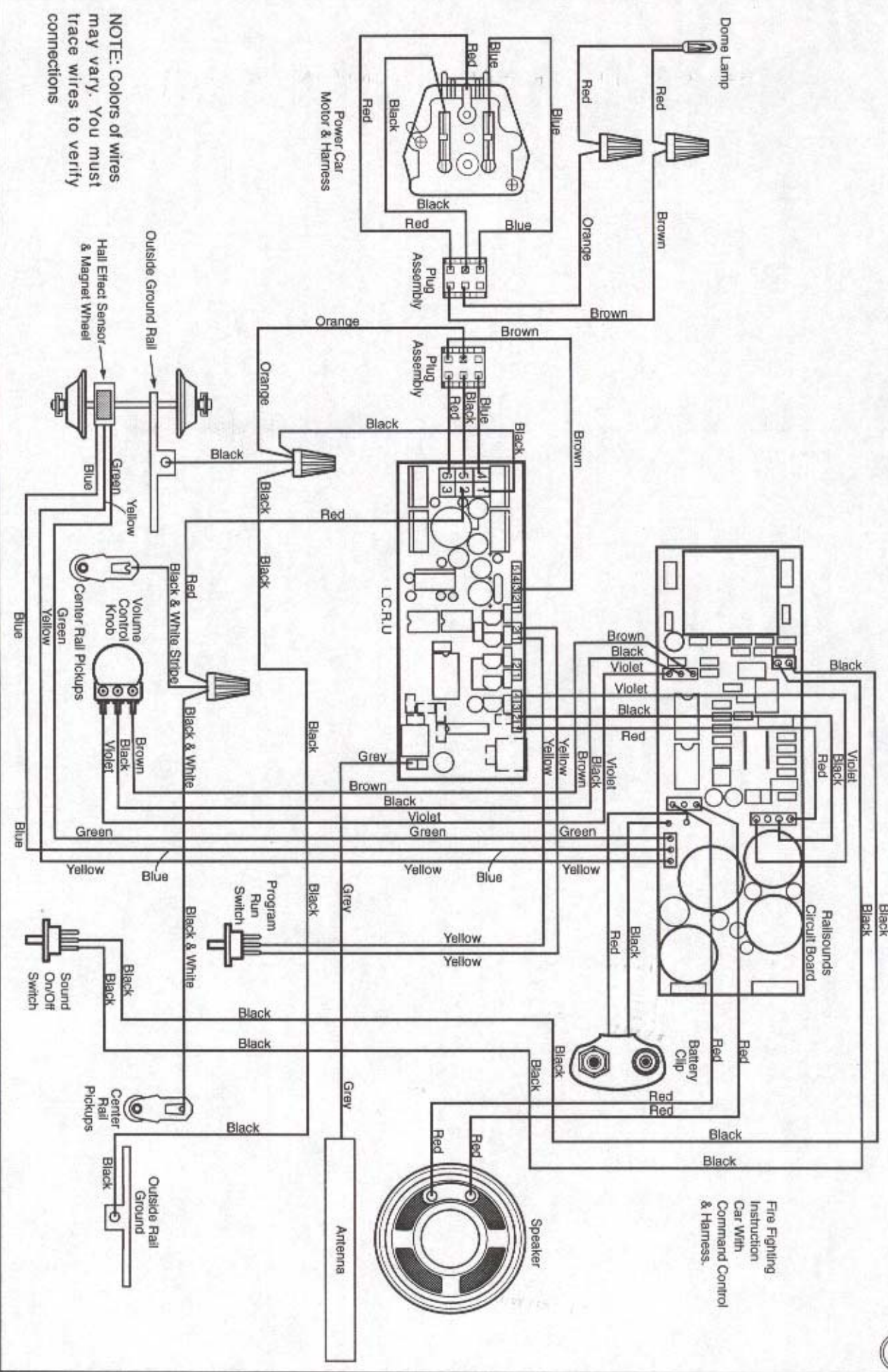
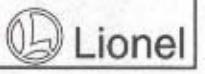
610-8049-536
Speaker

6-19853 FIRE FIGHTING INSTRUCTION CAR LIONELVILLE
 6-19857 FIRE RESPONSE UNIT N.Y.C.



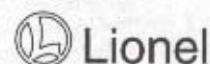
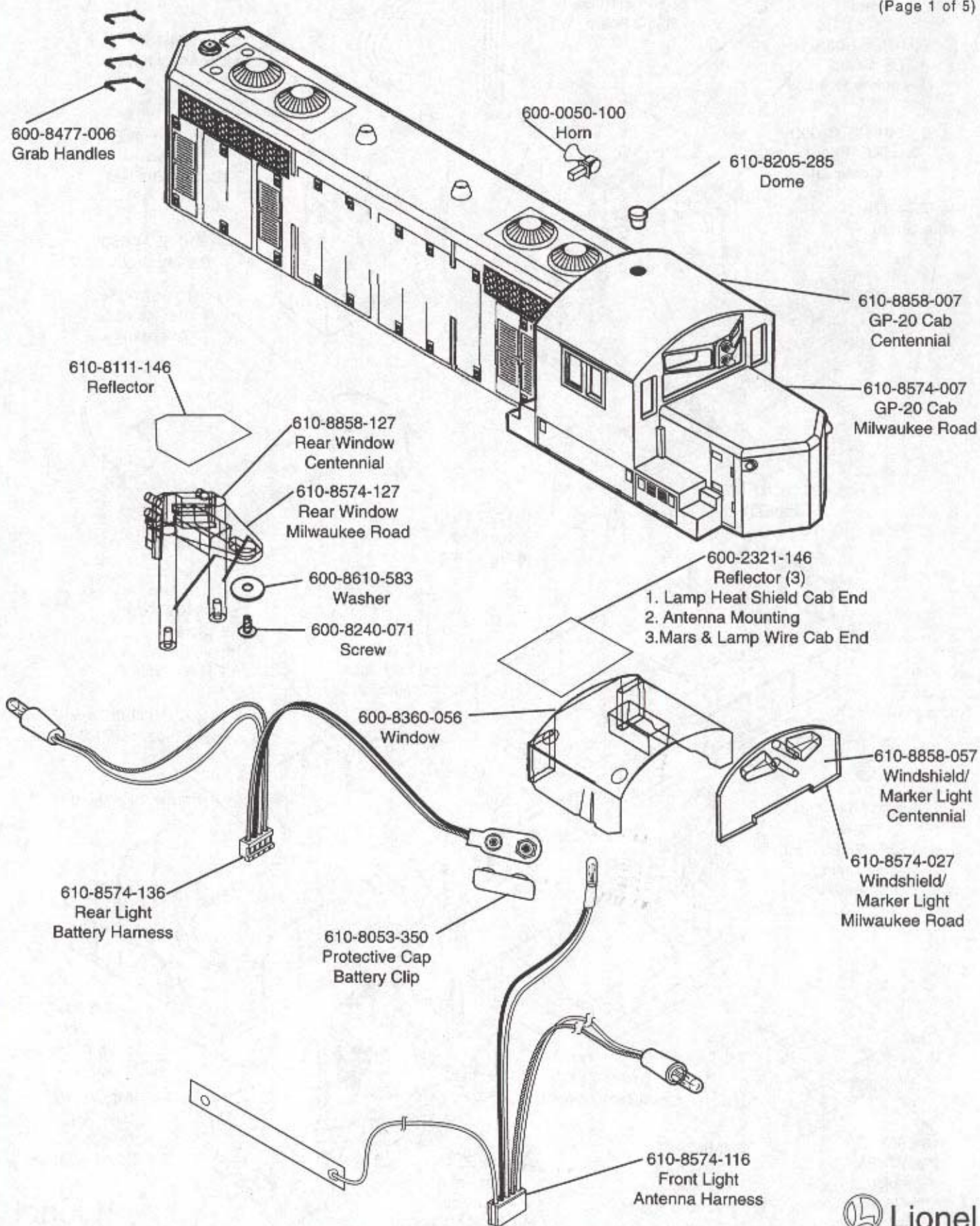
6-18444 FIRECAR LIONELVILLE & 6-19853 / FIRE FIGHTING INSTRUCTION CAR LIONELVILLE
 6-18445 FIRECAR N.Y.C. & 6-19857 FIRE RESPONSE CAR N.Y.C.

PICTORIAL WIRING DIAGRAM

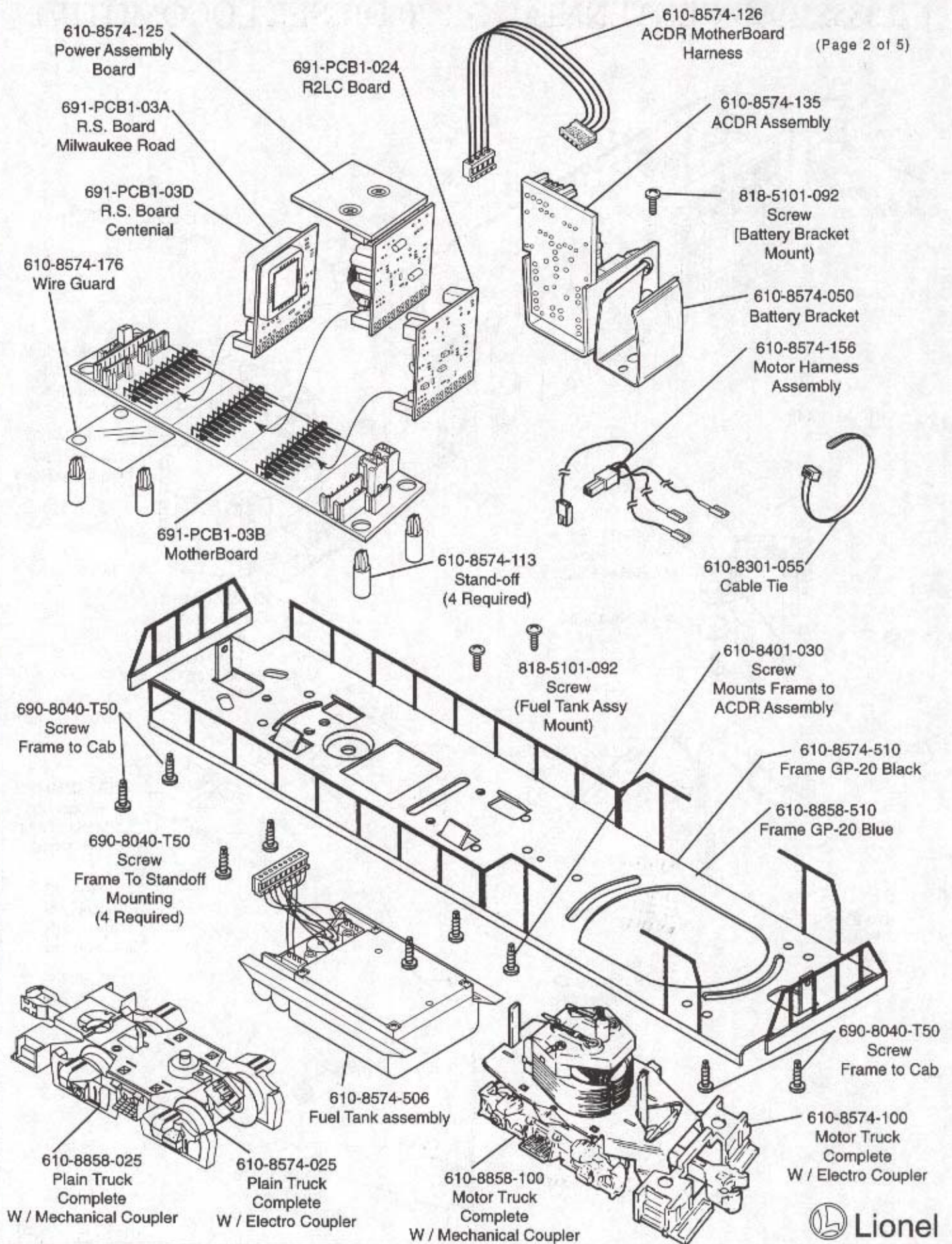


NOTE: Colors of wires may vary. You must trace wires to verify connections

6-18574 MILWAUKEE ROAD GP-20 DIESEL LOCOMOTIVE 6-18858 1998 CENTENNIAL GP-20 DIESEL LOCOMOTIVE

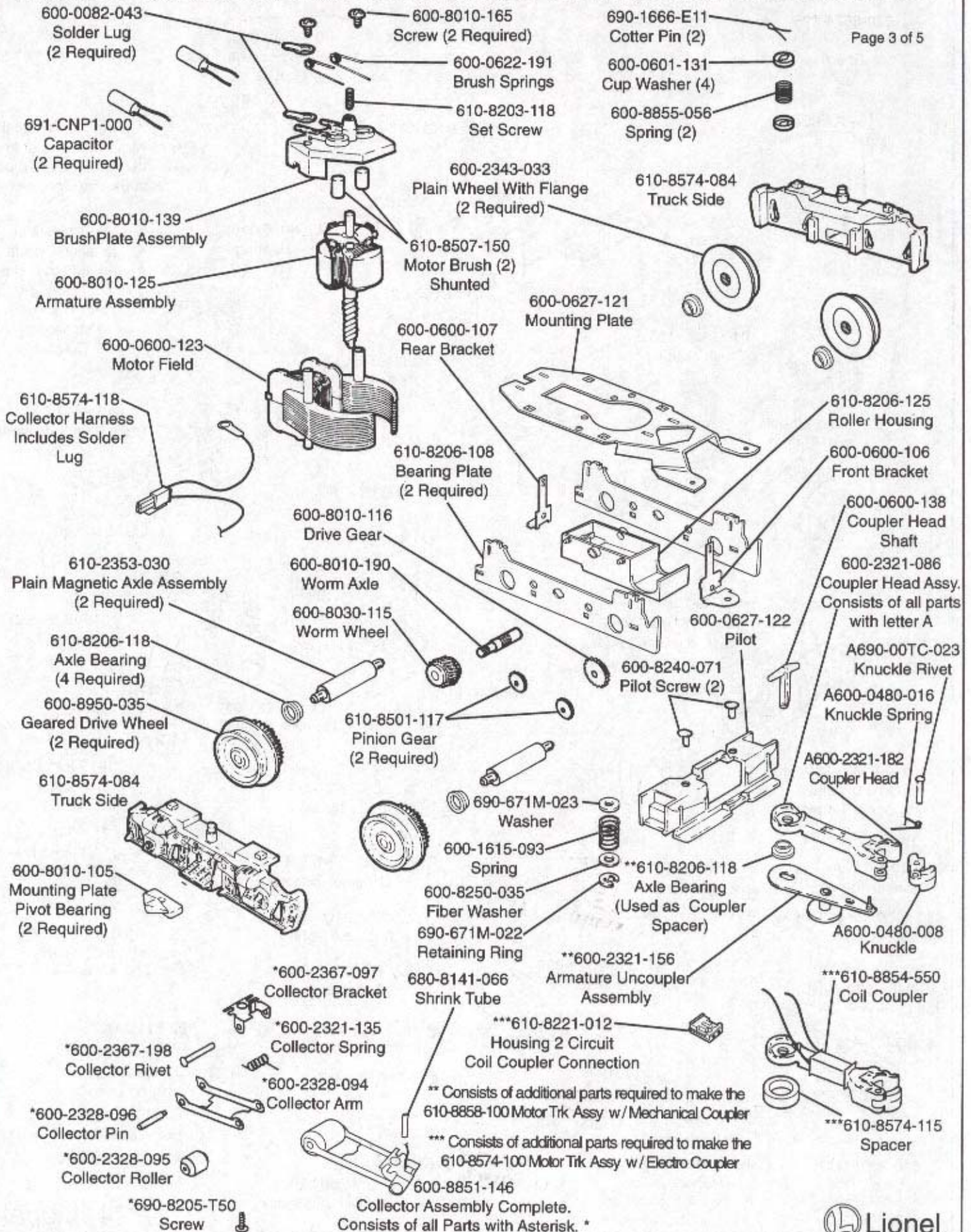


FRAME ASSEMBLY FOR GP-20 LOCOMOTIVE



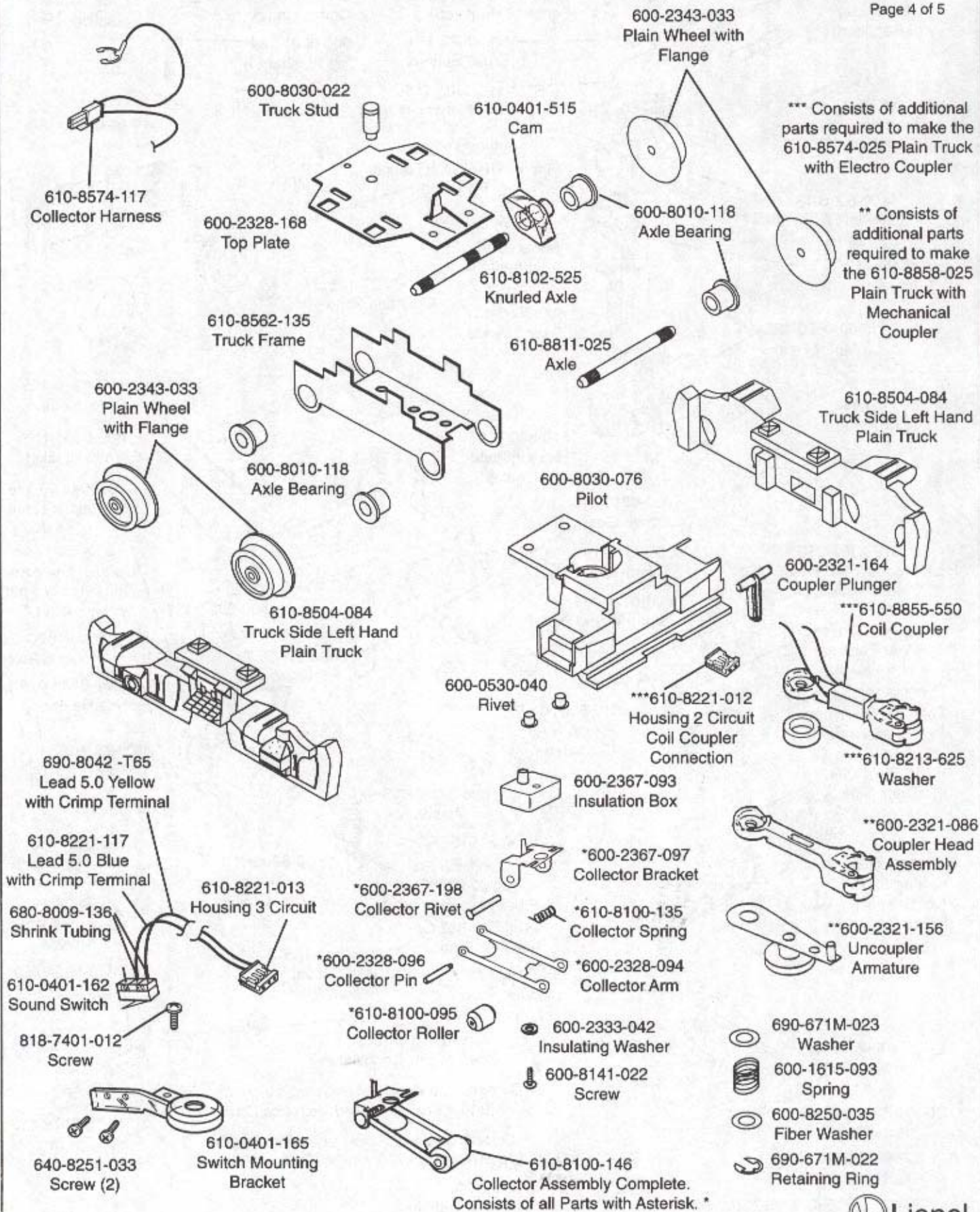
610-8574-100 MOTOR TRUCK ASSEMBLY WITH ELECTRO COUPLER

610-8858-100 MOTOR TRUCK ASSEMBLY WITH MECHANICAL COUPLER

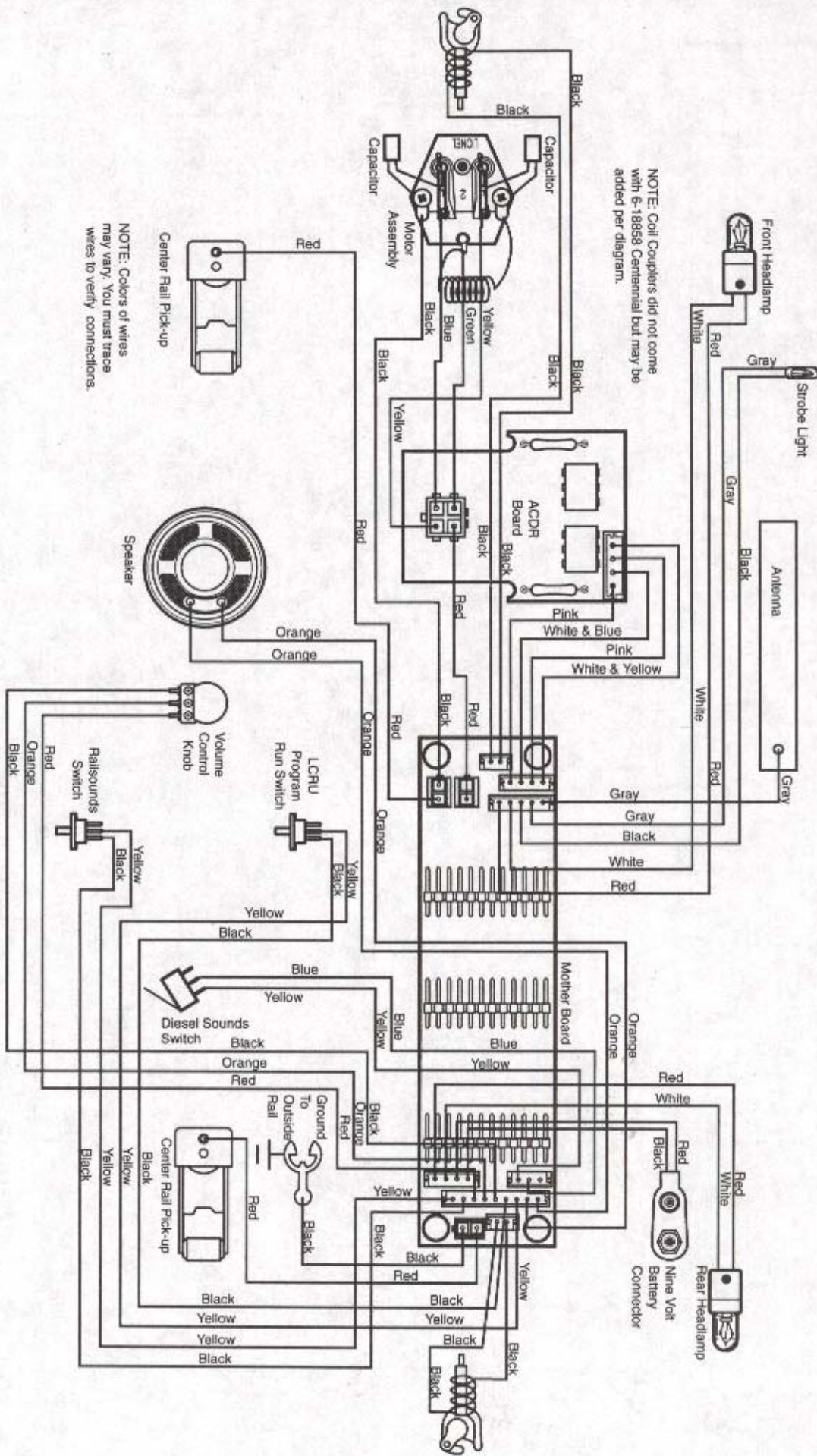


610-8574-025 PLAIN TRUCK ASSEMBLY WITH ELECTRO COUPLER

610-8858-025 PLAIN TRUCK ASSEMBLY WITH MECHANICAL COUPLER



6-18574 MILWAUKEE ROAD GP-20 DIESEL LOCOMOTIVE 6-18858-1998-CENTENNIAL GP-20 DIESEL LOCOMOTIVE PICTORIAL WIRING DIAGRAM



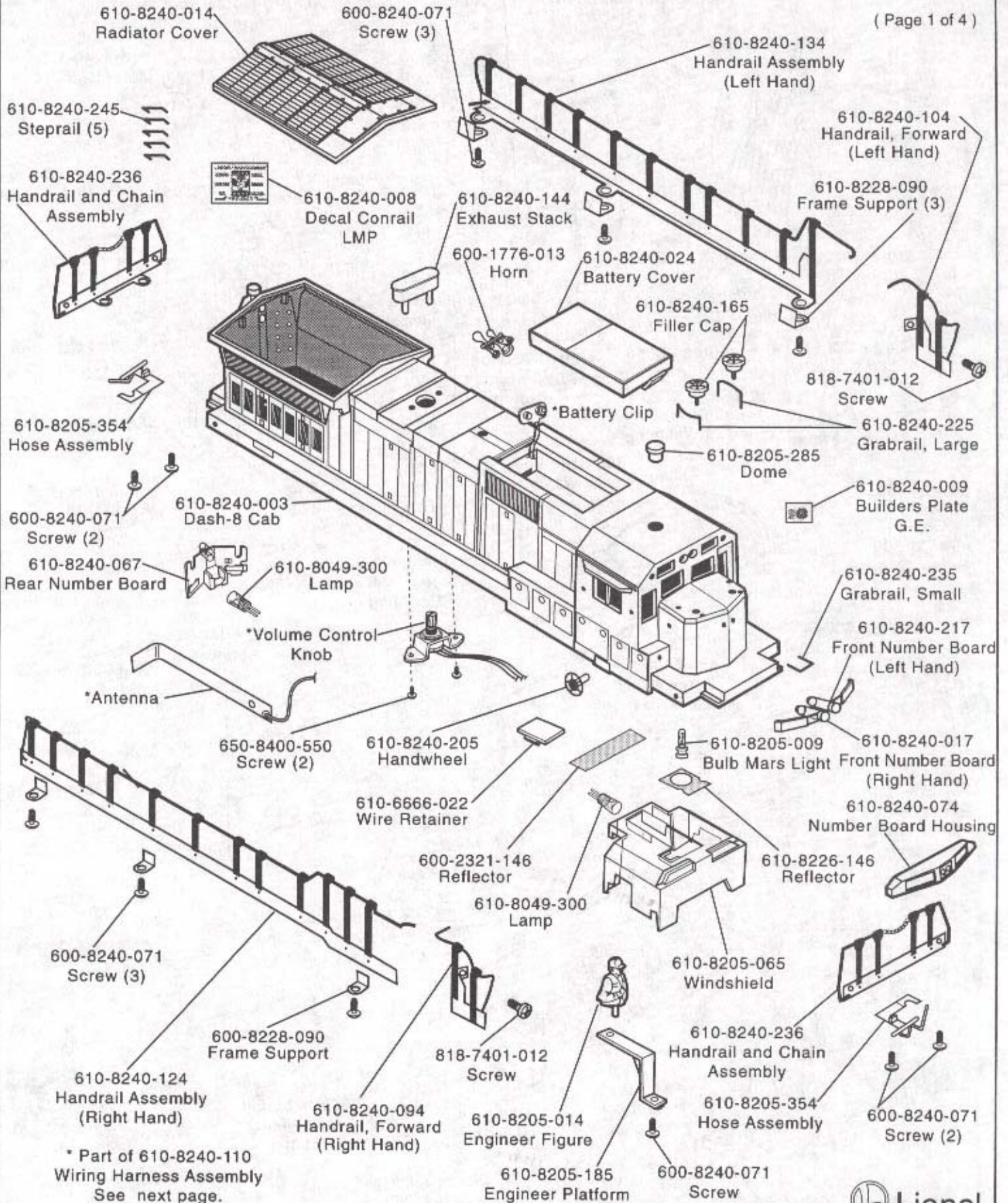
NOTE: Coil Couplers did not come with 6-18858 Centennial but may be added per diagram.

NOTE: Colors of wires may vary. You must trace wires to verify connections.



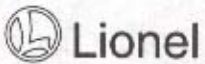
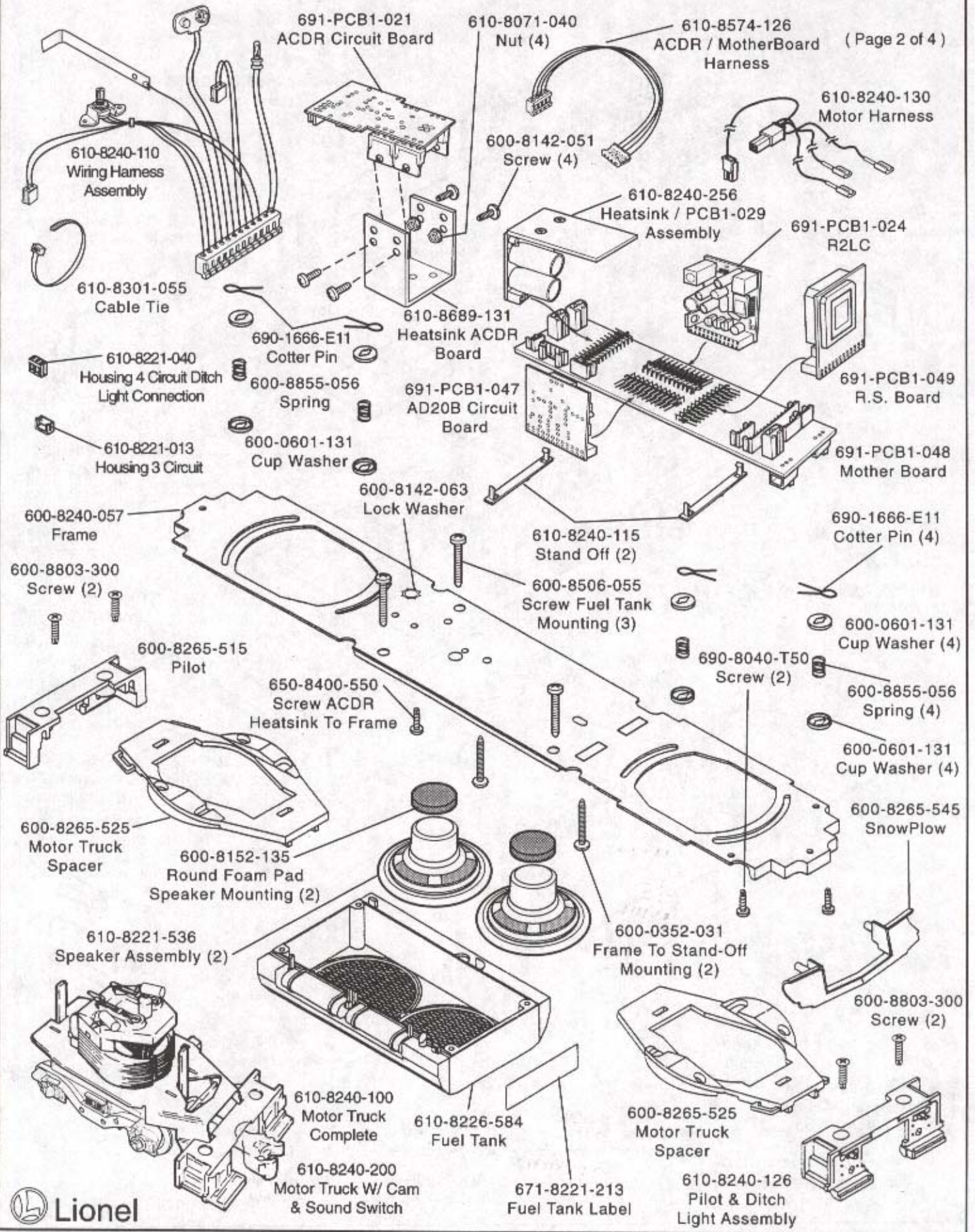
6-18240 CONRAIL DASH 8-40B

(Page 1 of 4)

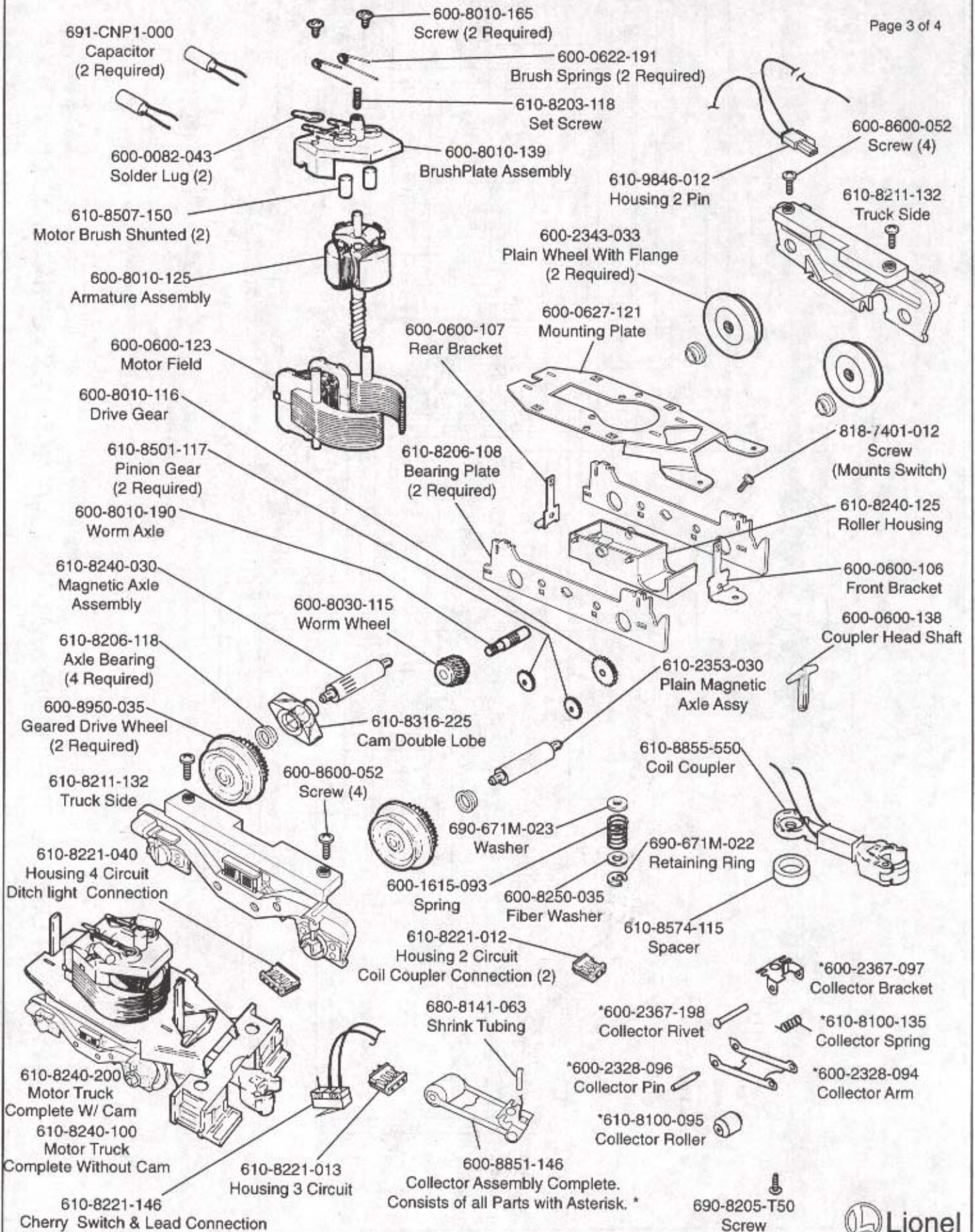


6-18240 CONRAIL DASH 8-40B

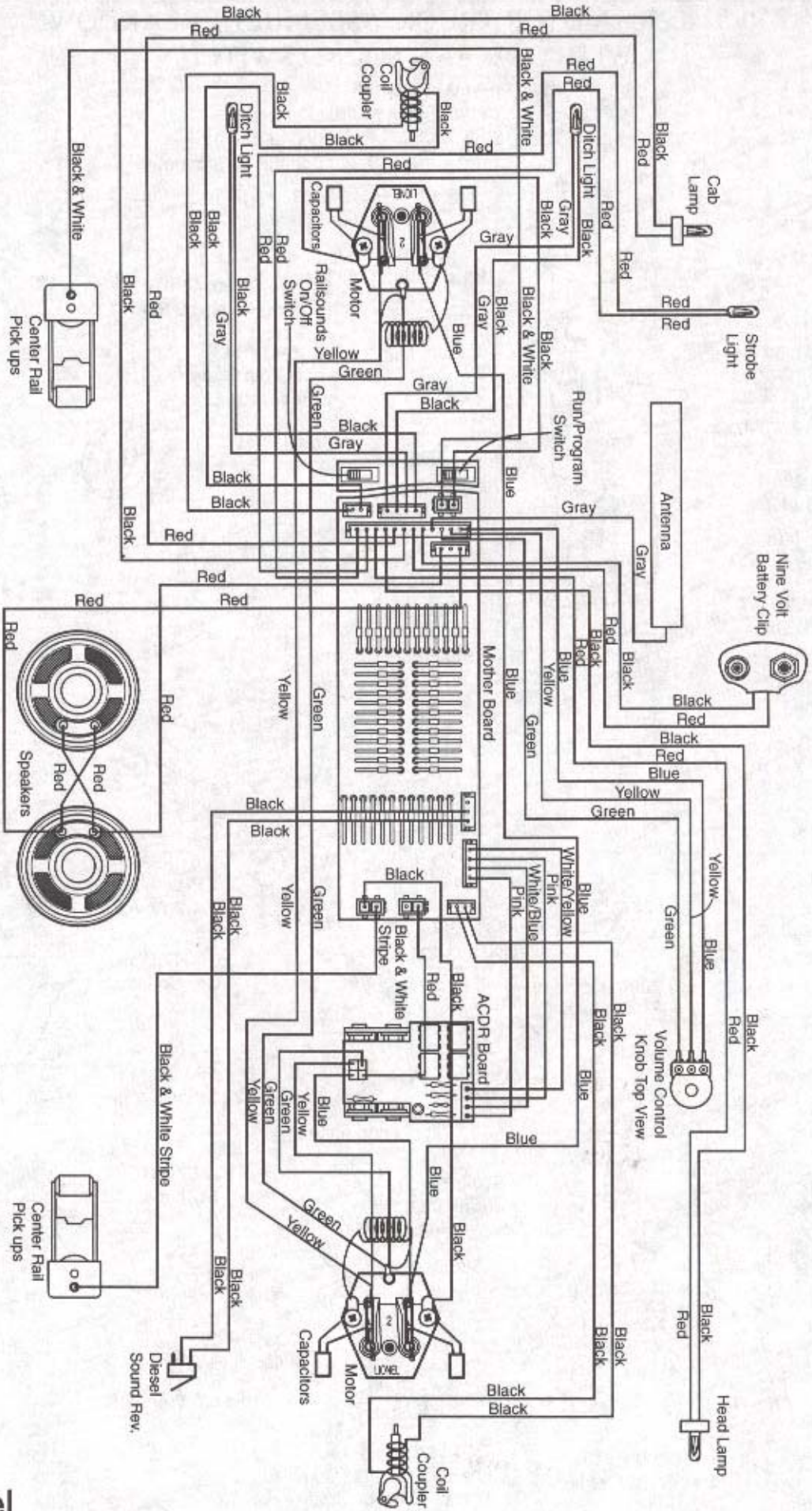
(Page 2 of 4)



610-8240-200 MOTOR TRUCK ASSEMBLY BREAKDOWN WITH CAM AND SOUND SWITCH



6-18240 CONRRAIL DASH 8-40B LOCOMOTIVE PICTORIAL WIRING DIAGRAM



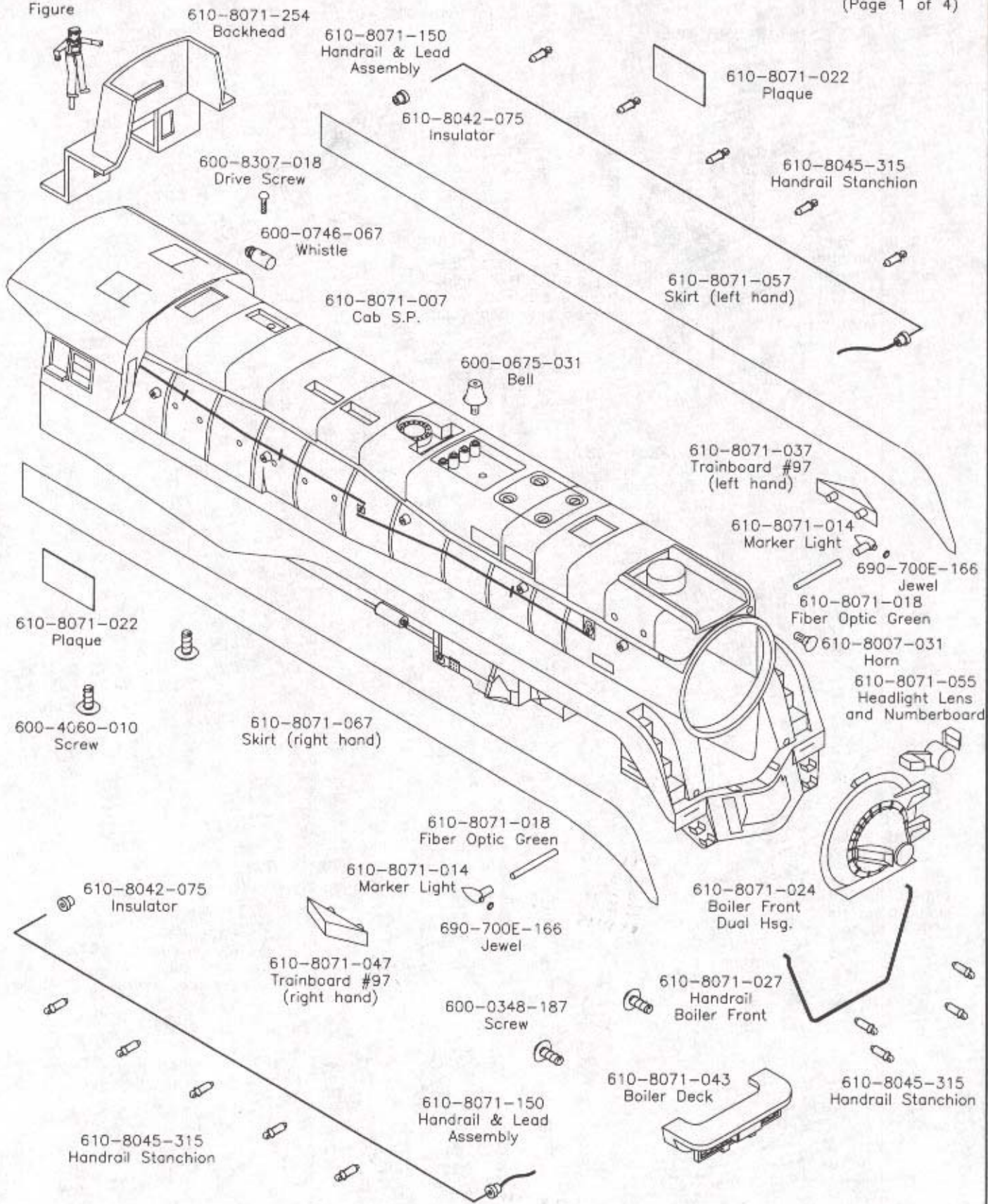
NOTE: Colors of wires may vary. You must trace wires to verify connections



610-8071-001 GS-4 SOUTHERN PACIFIC DAYLIGHT STEAM LOCOMOTIVE

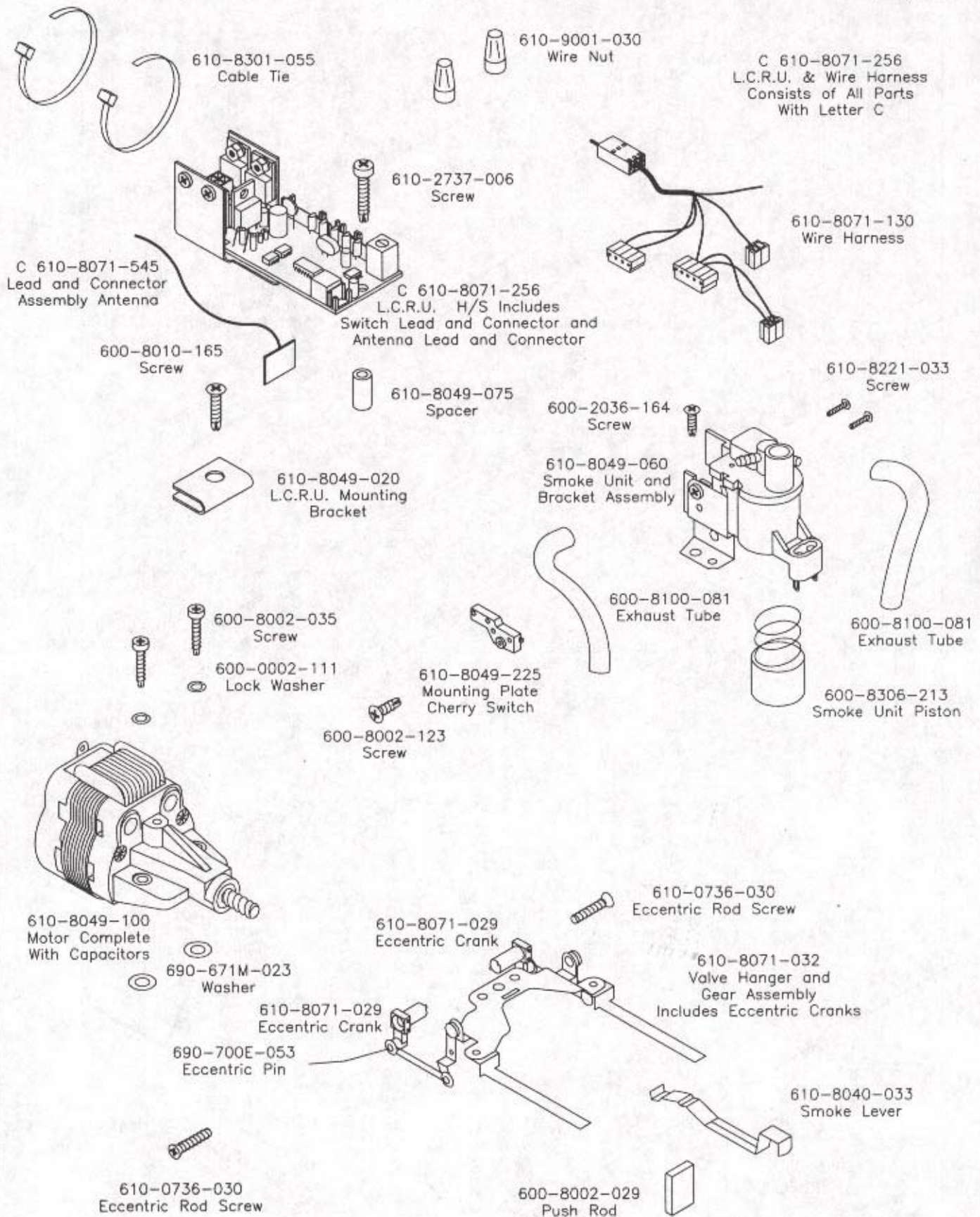
(Page 1 of 4)

610-8953-105
Figure



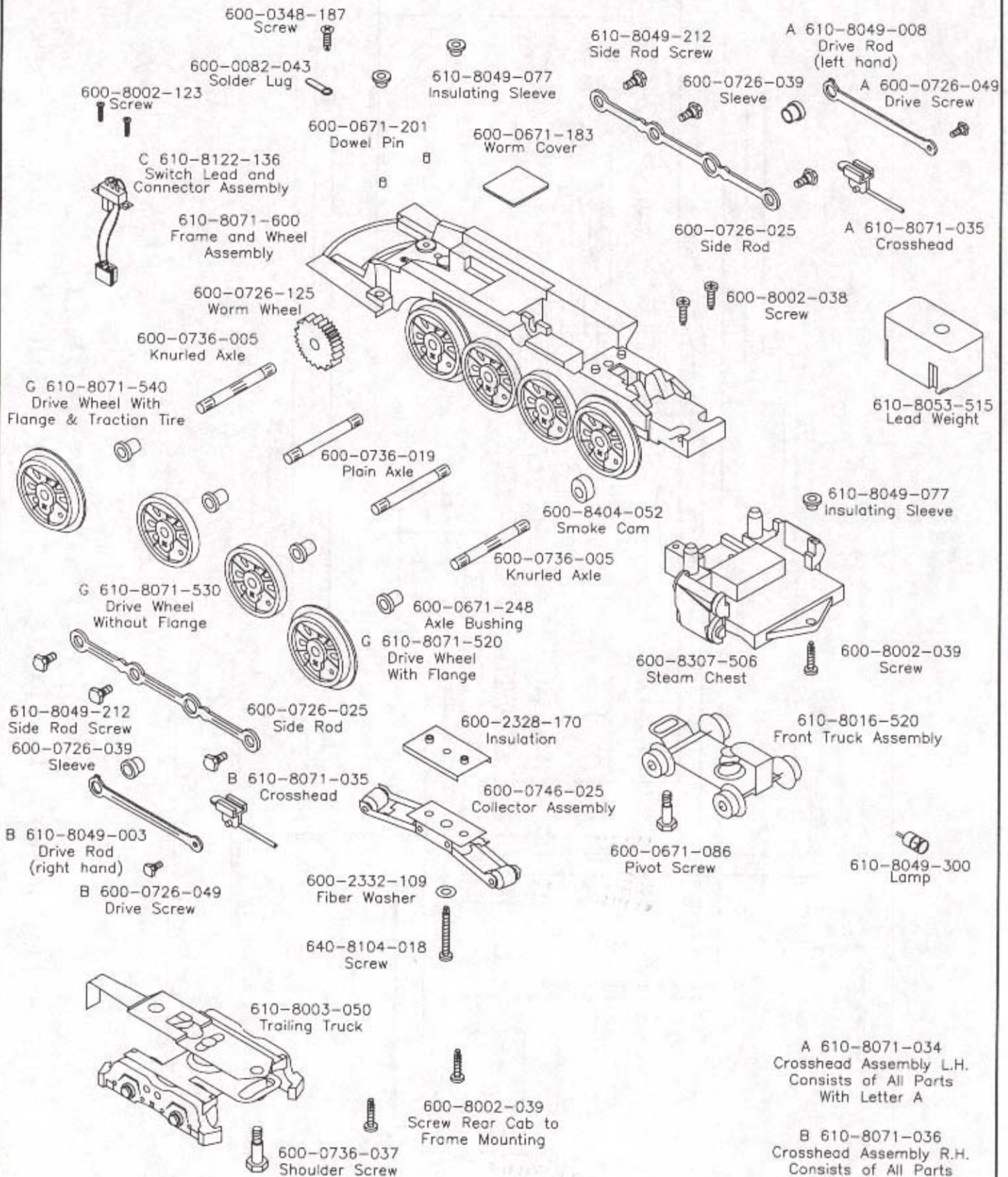
610-8071-001 GS-4 SOUTHERN PACIFIC DAYLIGHT STEAM LOCOMOTIVE

(Page 2 of 4)

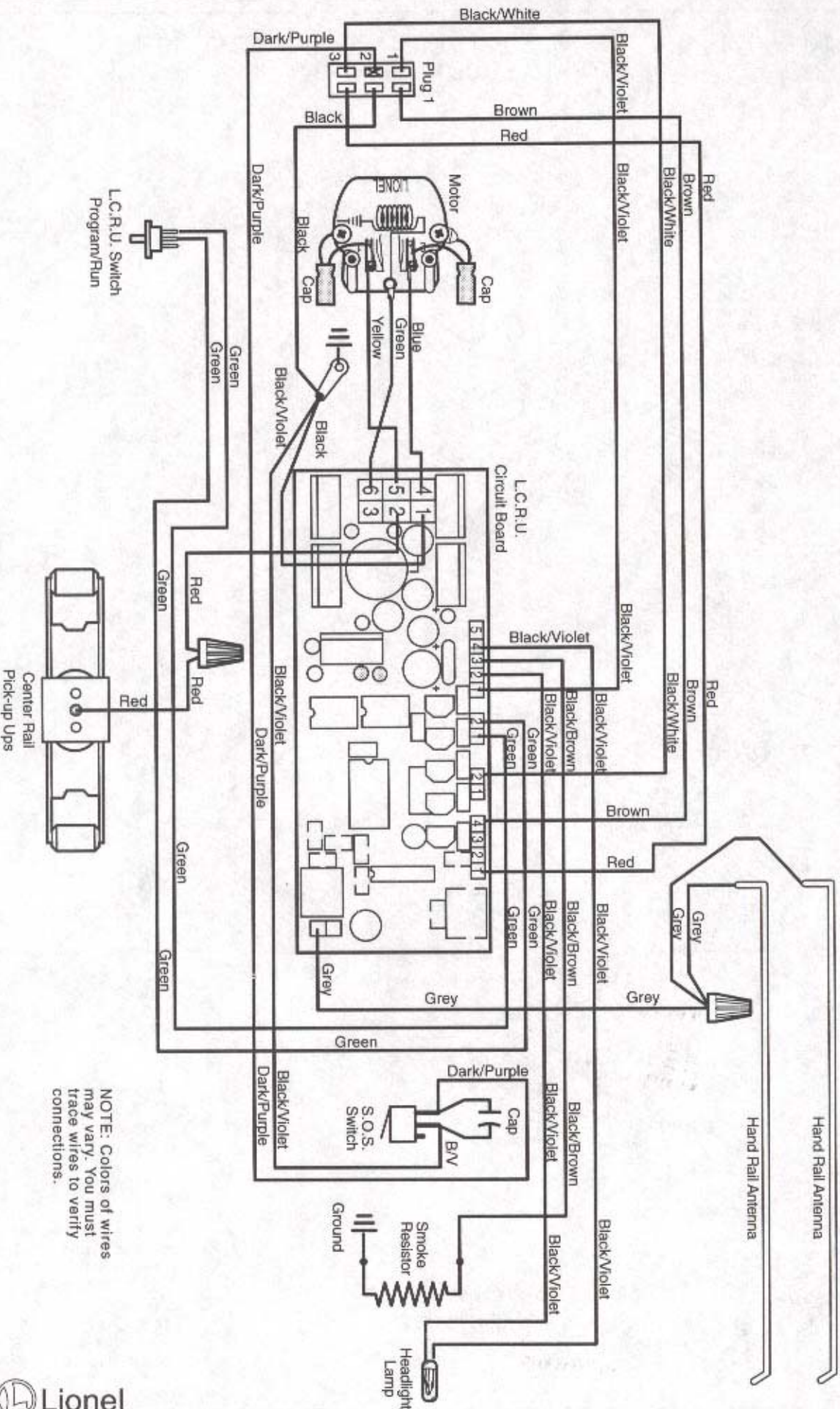


610-8071-001 GS-4 SOUTHERN PACIFIC DAYLIGHT STEAM LOCOMOTIVE

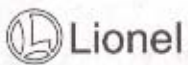
(Page 3 of 4)



610-8071-001 4-8-4 SOUTHERN PACIFIC DAYLIGHT LOCOMOTIVE PICTORIAL WIRING DIAGRAM



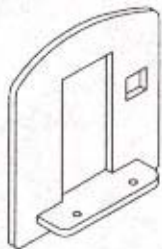
NOTE: Colors of wires may vary. You must trace wires to verify connections.



610-8057-001 PENNSYLVANIA 671 S-2 STEAM TURBINE

(Page 1 of 5)

610-8057-044
Backwall



610-8057-021
Whistle



610-8042-075
Insulator Handrail to
Back of Cab



610-8057-008
Handrail and Lead
Assembly L.H.

610-8057-018
Safety Valve



610-8057-019
Siphon Valve



610-8401-030
Screw



610-8045-315
Stanchion Handrail



610-8042-075
Insulator Handrail to
Back of Cab

610-8045-315
Stanchion Handrail



610-8057-009
Handrail and Lead
Assembly R.H.

600-8240-070
Screw



610-8057-008
Stanchion Handrail



610-8057-007
Boiler and Cab

600-8600-045
Screw



610-8057-025
Headlight Lens



610-8049-300
Lamp



610-8057-032
Shrink Tube



600-0671-013
Boiler Front Catch
Included in 610-8057-010
Boiler Front Assembly



610-8057-010
Boiler Front Assembly



680-8101-062
Collector Lead
Length 2"

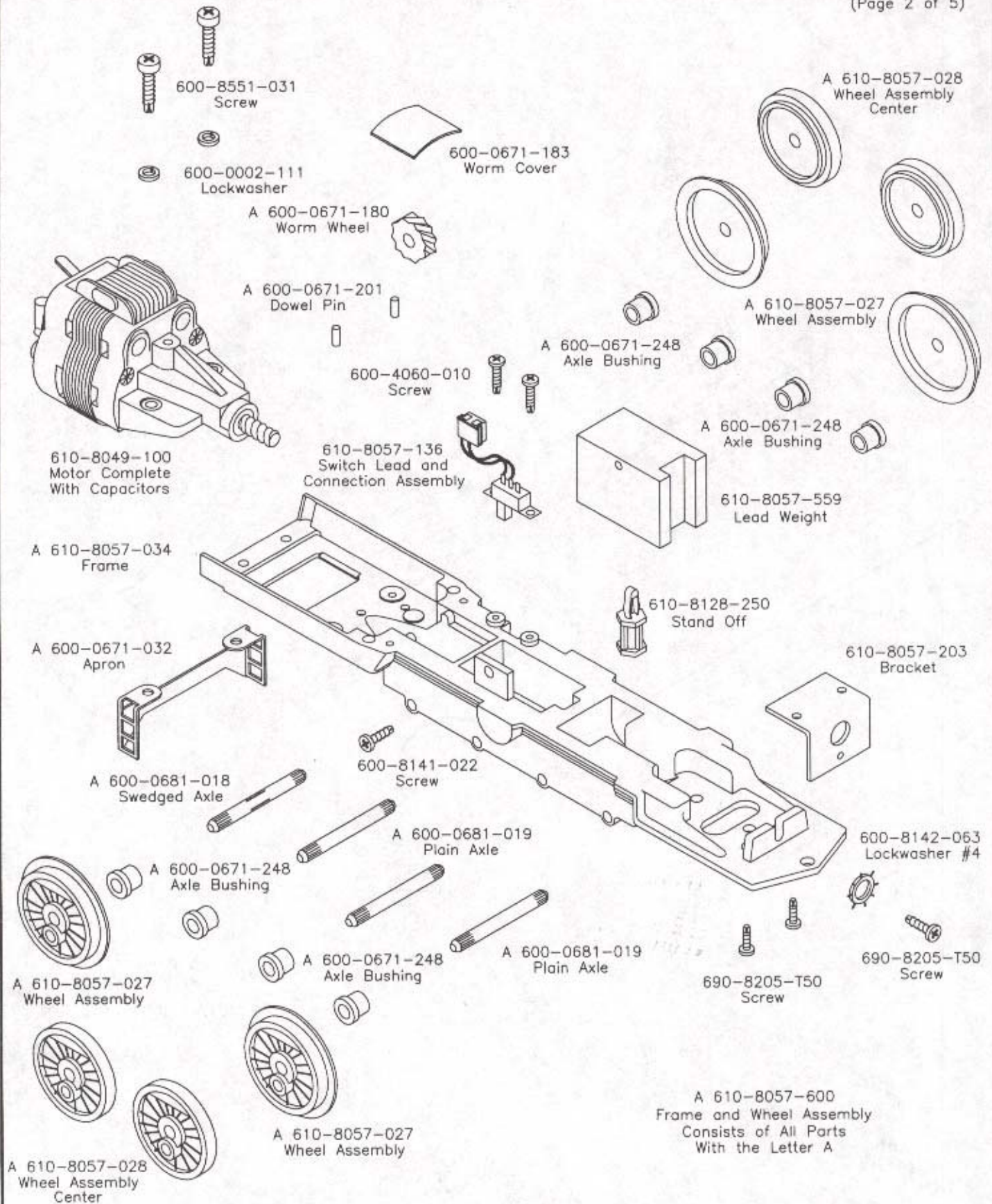


610-9001-030
Wire Nut



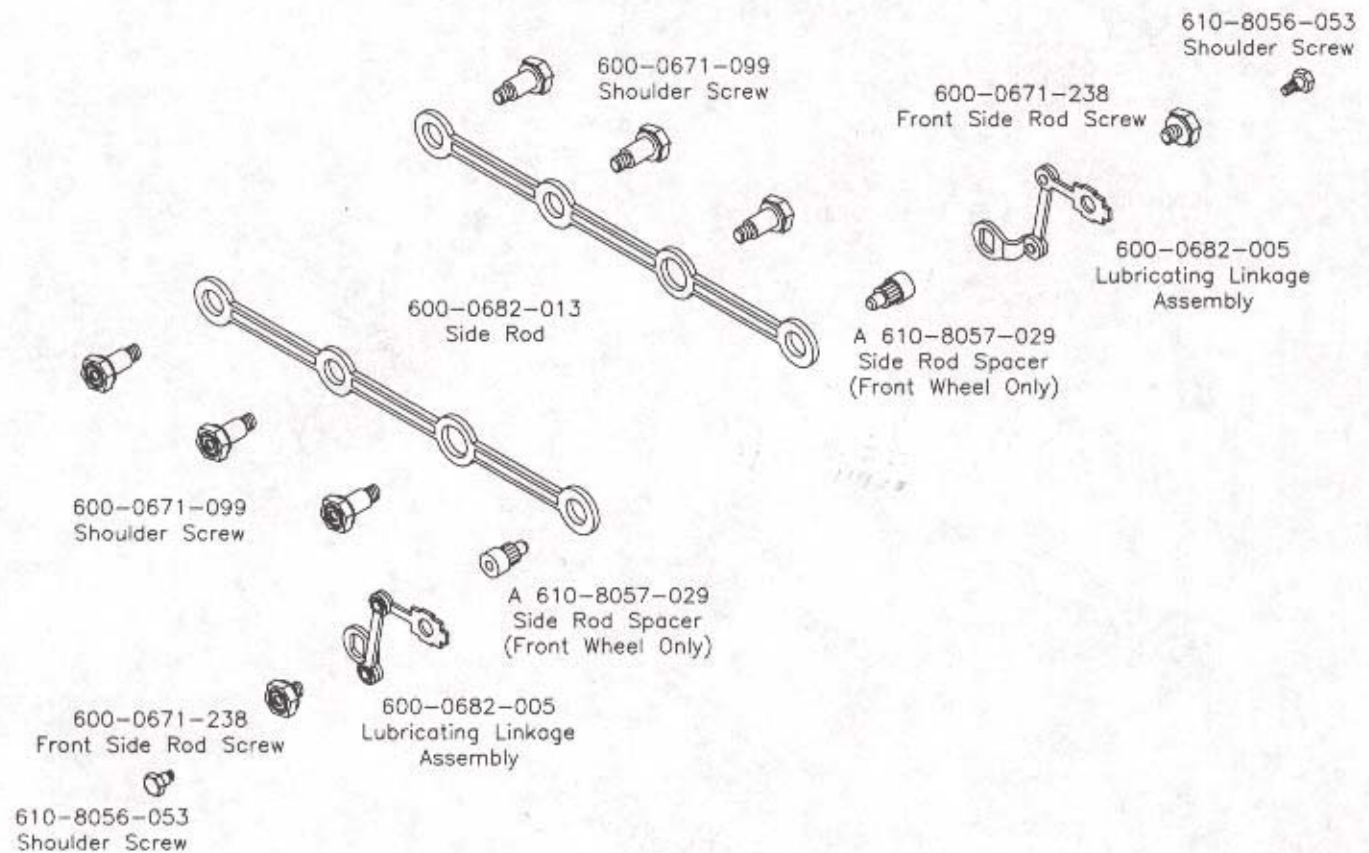
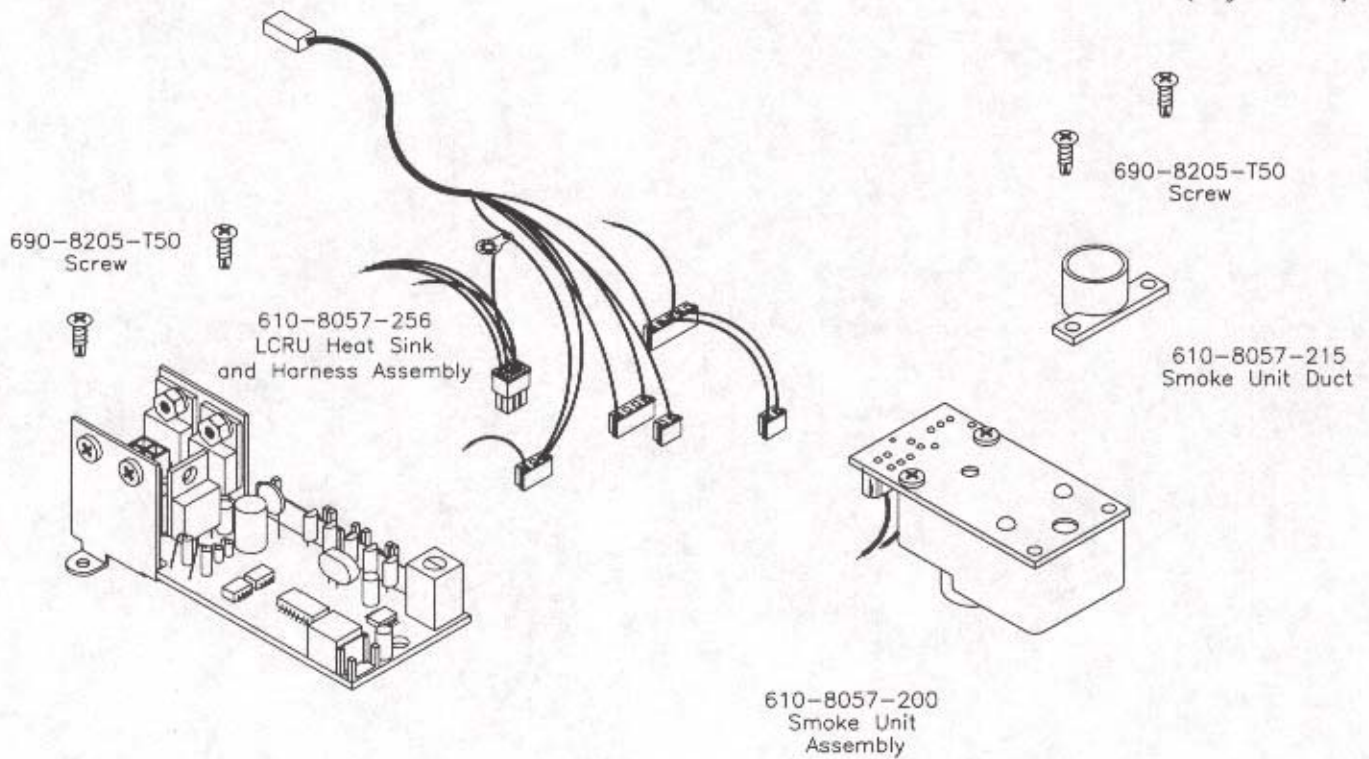
610-8057-001 PENNSYLVANIA 671 S-2 STEAM TURBINE

(Page 2 of 5)



610-8057-001 PENNSYLVANIA 671 S-2 STEAM TURBINE

(Page 3 of 5)



610-8057-001 PENNSYLVANIA 671 S-2 STEAM TURBINE

(Page 4 of 5)

C 600-0681-004
Collector Assembly
Consists of All Parts
With the Letter C

B 610-8057-030
Rear Truck and
Drawbar Assembly
Consists of All Parts
With the Letter B

C 600-0681-003
Collector Arm Assembly

C 600-0671-108
Collector Spring

C 600-0671-107
Rivet

B 600-0671-184
Drawbar

600-0671-200
Collector Terminal

600-8404-075
Insulation Plate

C 600-0671-107
Rivet

C 600-0671-106
Collector Frame

C 600-0671-108
Collector Spring

610-8057-011
Nameplate

C 600-0681-006
Collector Arm

C 600-0681-016
Collector Pin

600-0348-187
Screw

C 600-0681-015
Collector Roller

B 610-8057-074
Truck Frame

610-8057-020
Front Truck Assembly
Consists of All the Same
Parts as Rear Truck
Assembly Except For
600-0671-033
Cup Washer
600-0671-081
Truck Stud
600-0671-151
Spring
600-0671-184
Drawbar

B 600-0671-033
Cup Washer

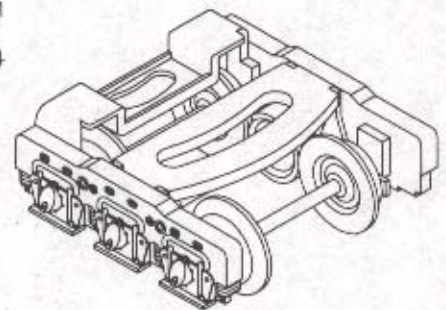
600-8404-060
Shoulder Screw

B 600-0671-151
Spring

B 600-0671-081
Truck Stud

B 600-0671-127
Wheel

B 600-0671-085
Axle Retainer



B 600-0671-127
Wheel

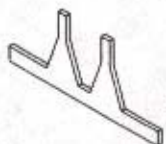
B 690-226E-021
Axle

B 600-0671-084
Wheel Flangless

A 600-0671-033
Cup Washer

600-8404-060
Shoulder Screw

A 600-0671-151
Spring



B 600-0671-084
Wheel Flangless

B 690-226E-021
Axle

B 600-0671-127
Wheel

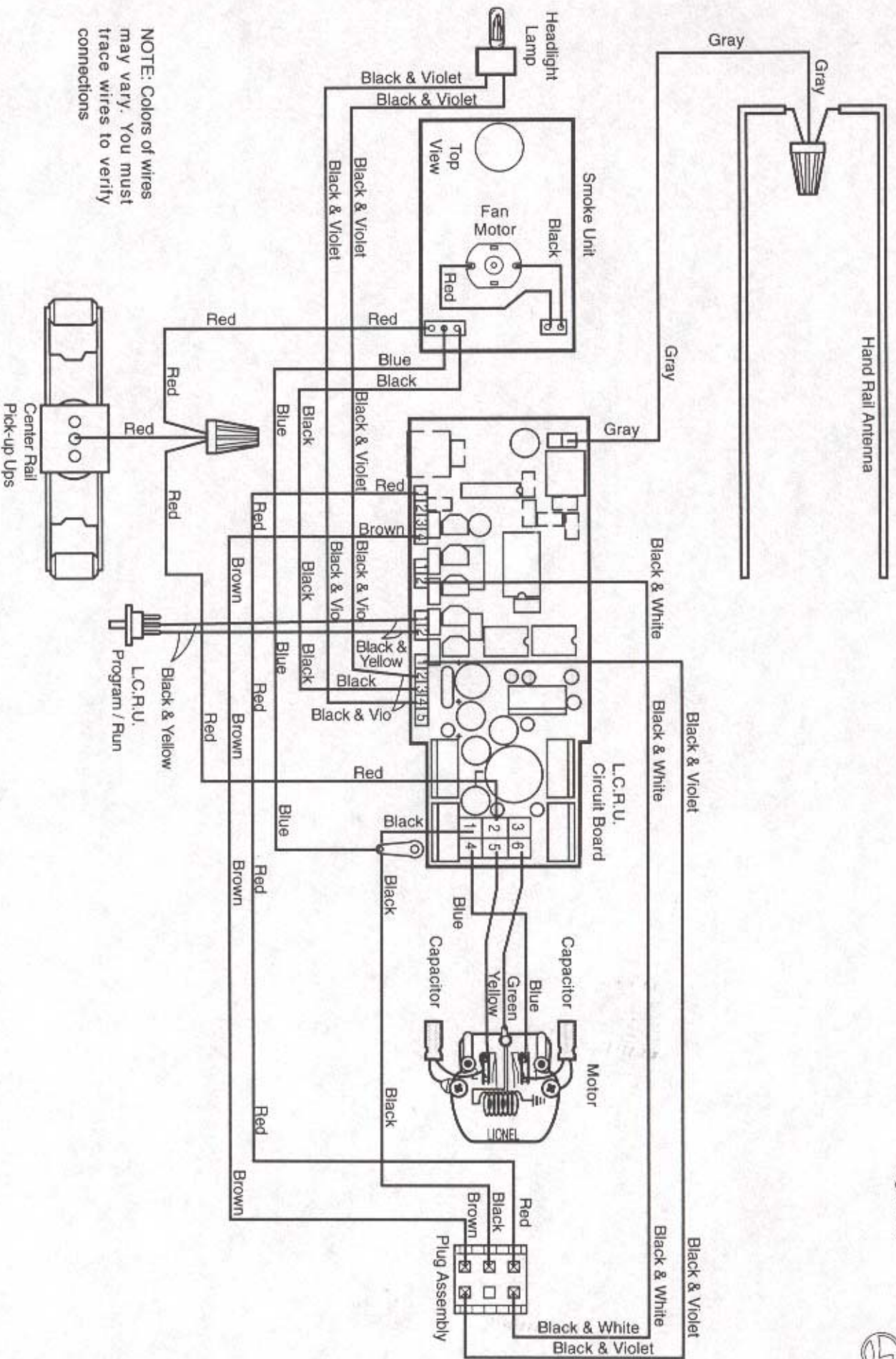
A 600-0671-094
Front Truck Stud

B 600-0671-085
Axle Retainer

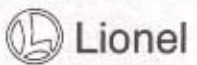
B 600-0671-127
Wheel

610-8057-001 PENNSYLVANIA 671 S-2 STEAM TURBINE LOCOMOTIVE PICTORIAL WIRING DIAGRAM

Page 5 of 5

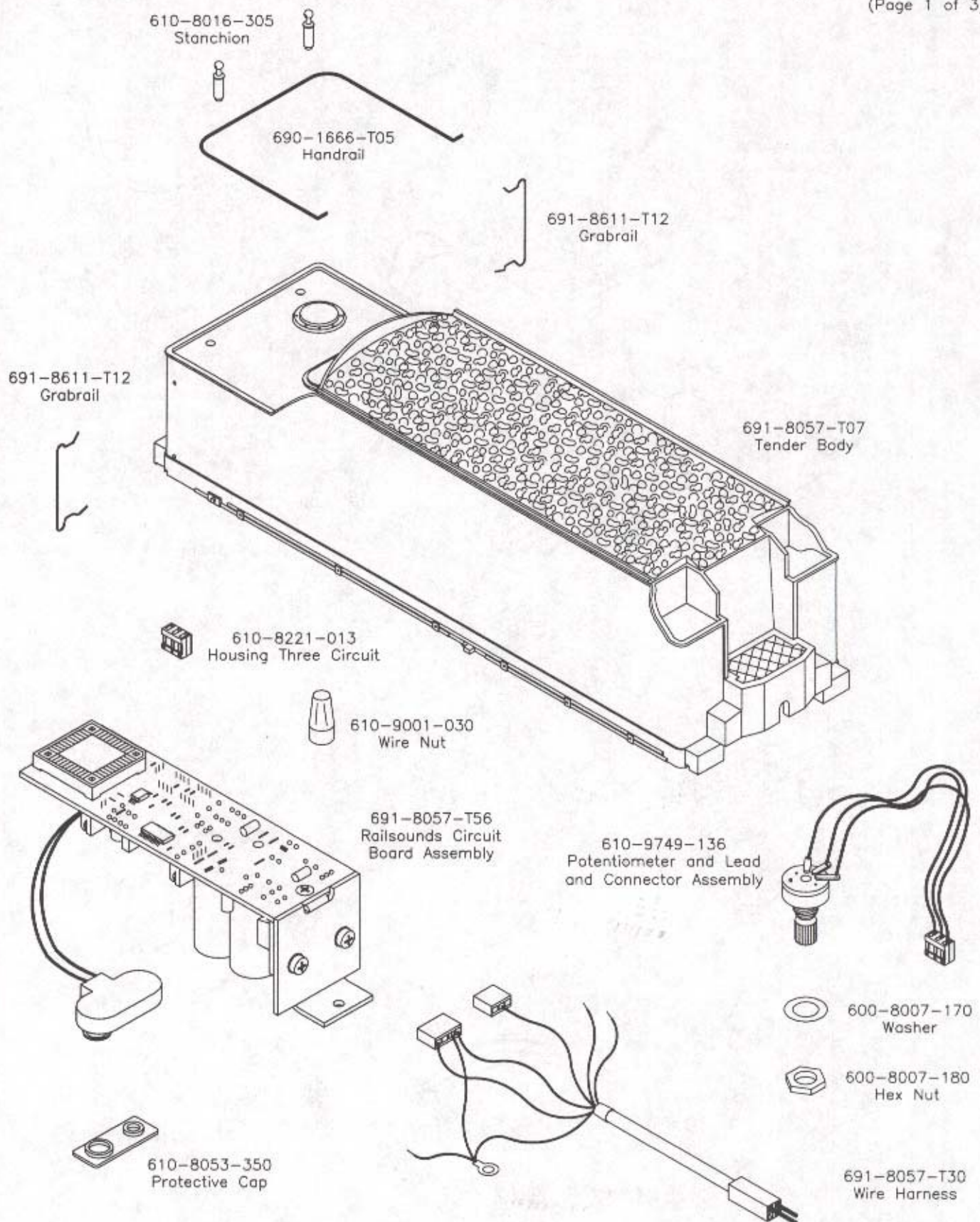


NOTE: Colors of wires may vary. You must trace wires to verify connections



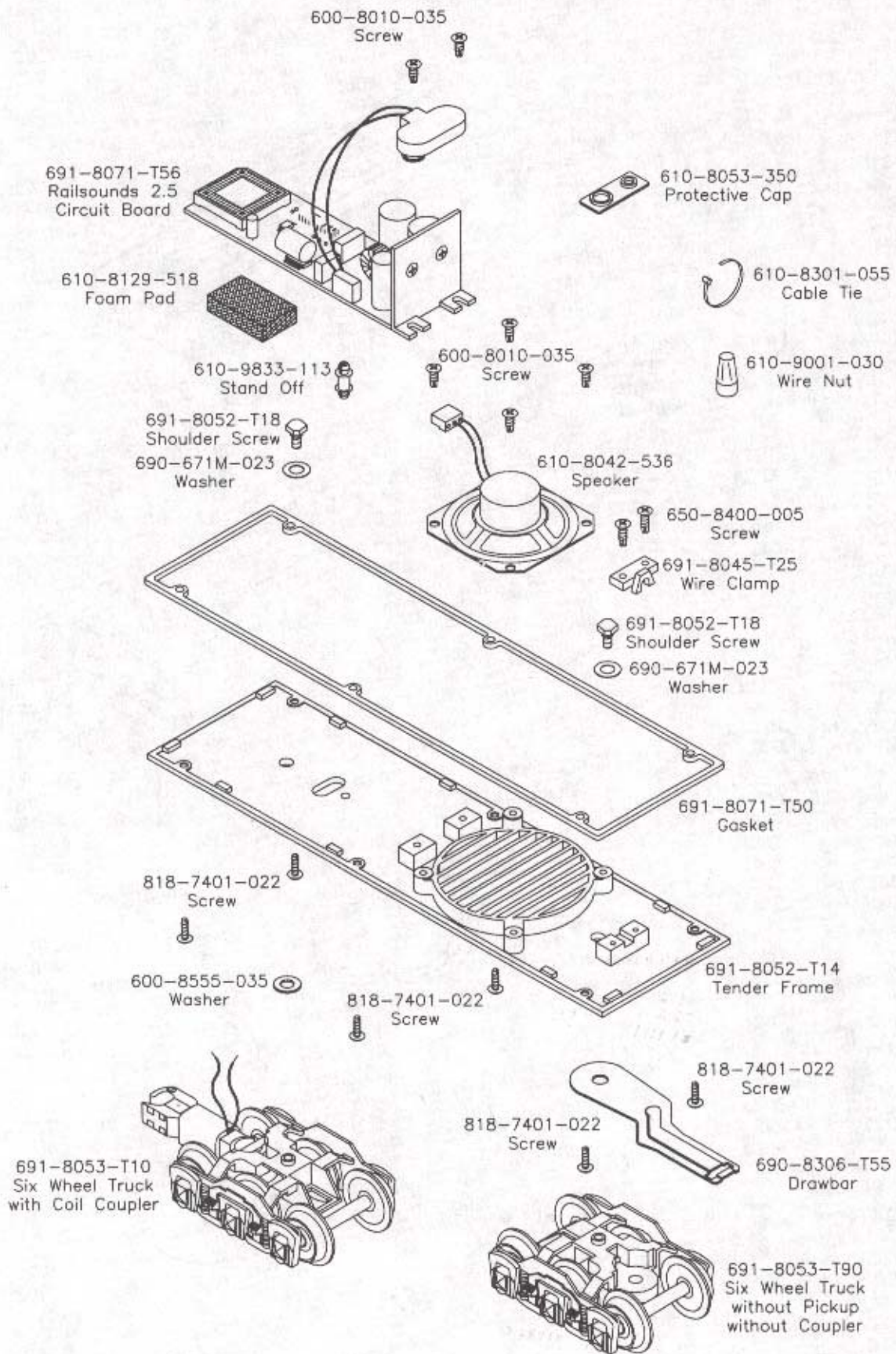
691-8057-T01 PENNSYLVANIA 671 STEAM TURBINE TENDER (LIONEL LINES)

(Page 1 of 3)

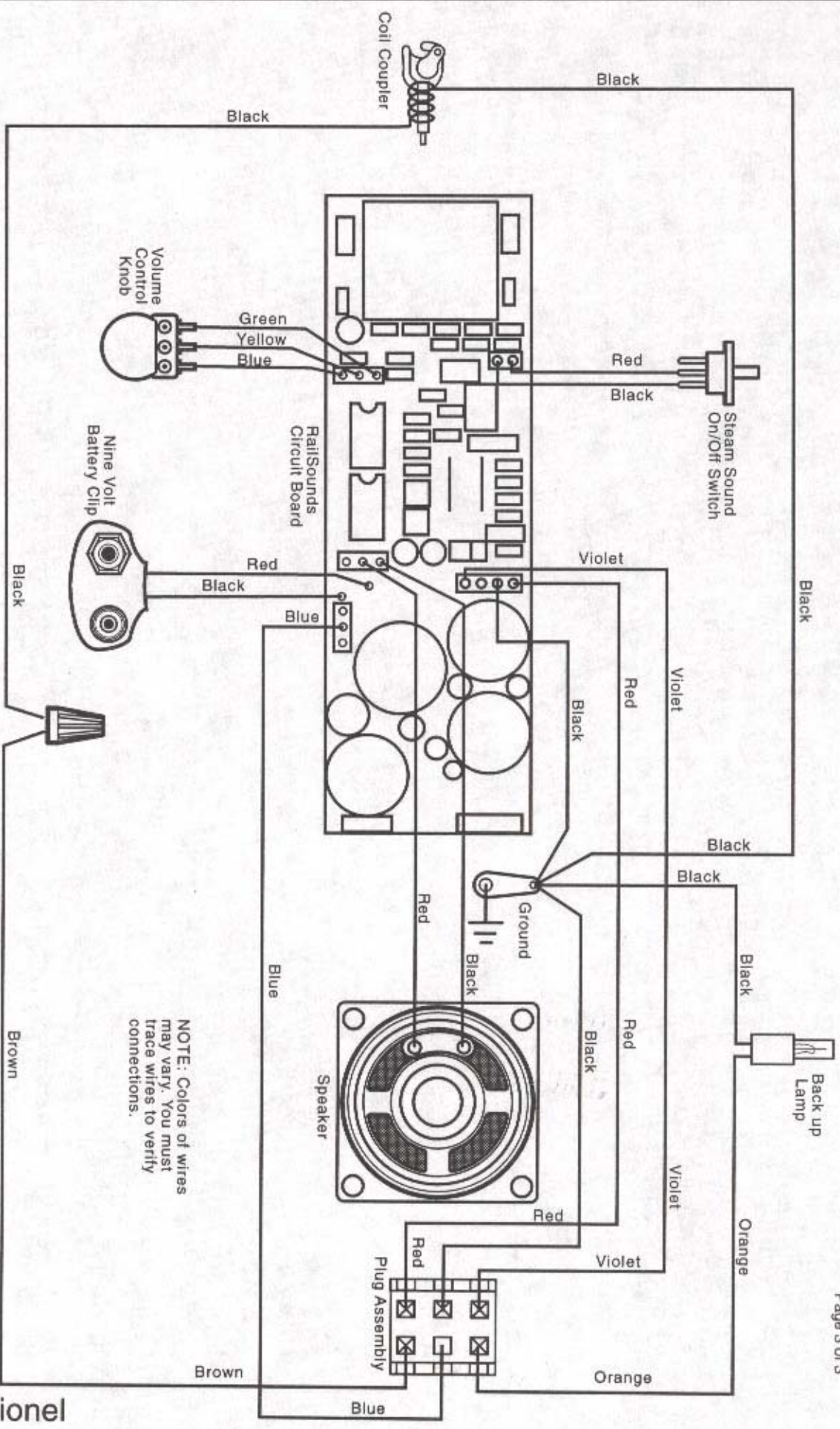


691-8071-T01 SOUTHERN PACIFIC DAYLIGHT TENDER

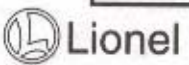
(Page 2 of 3)



691-8071-T01 SOUTHERN PACIFIC DAYLIGHT TENDER PICTORIAL WIRING DIAGRAM

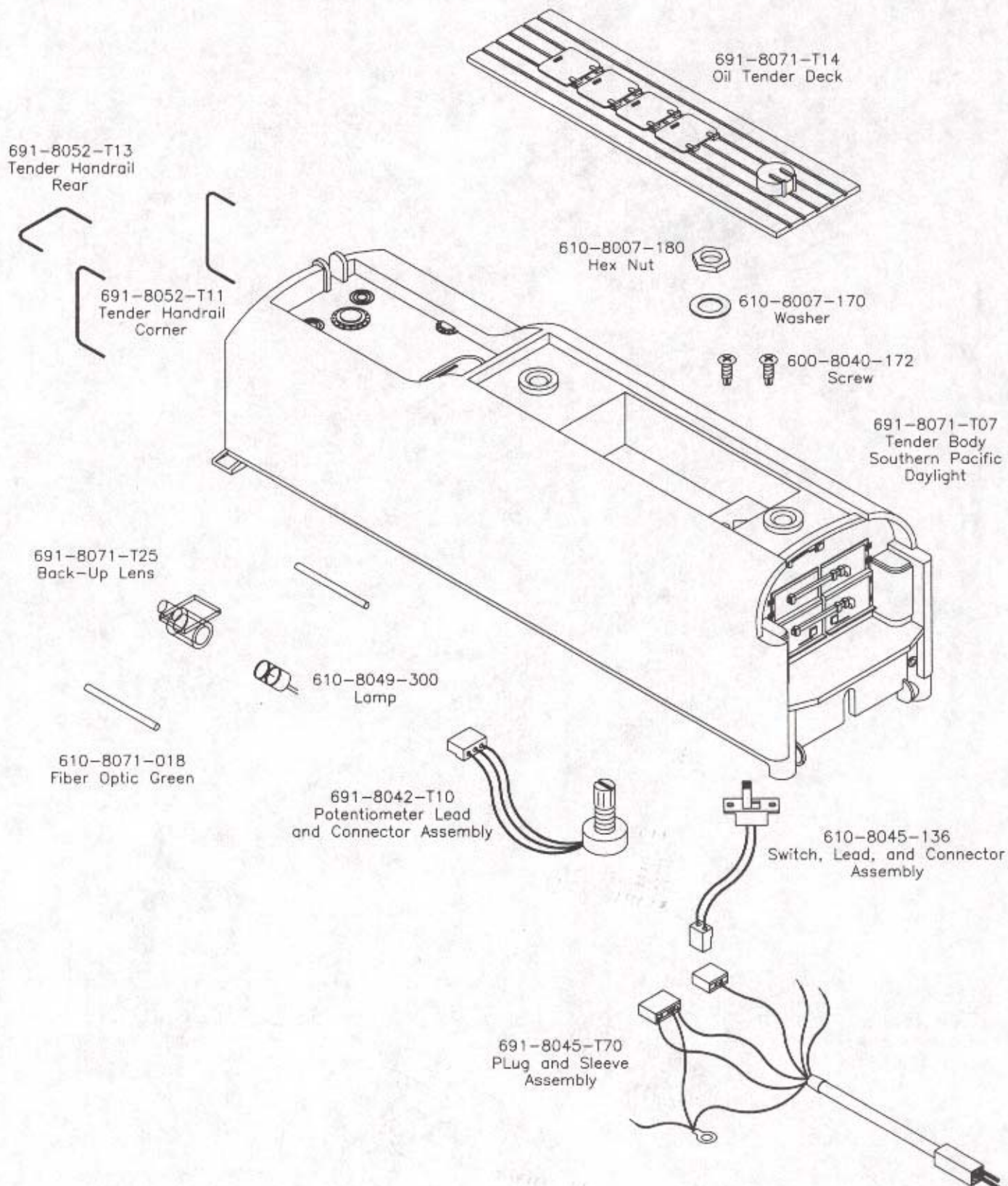


NOTE: Colors of wires may vary. You must trace wires to verify connections.



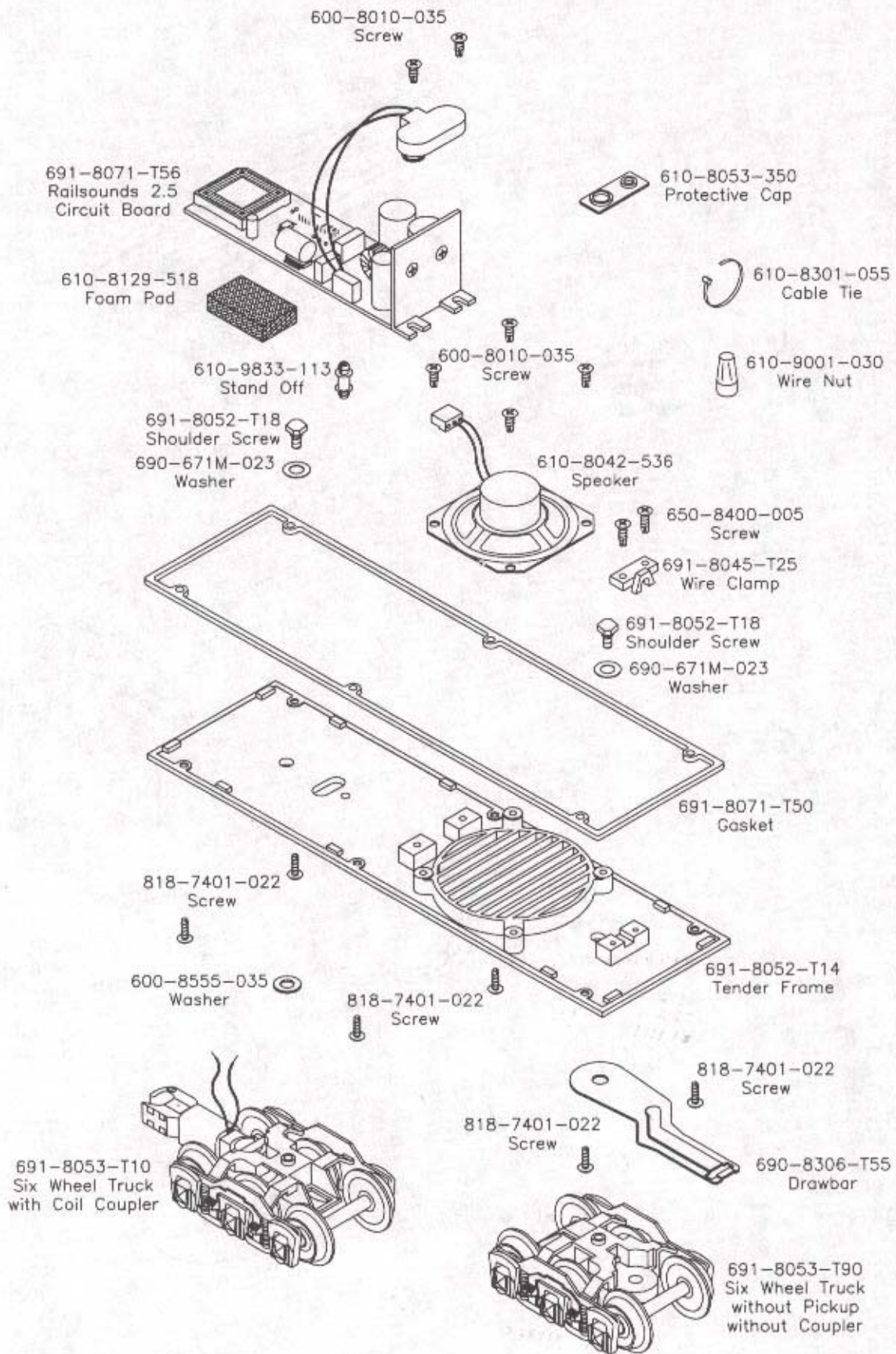
691-8071-T01 SOUTHERN PACIFIC DAYLIGHT TENDER

(Page 1 of 3)

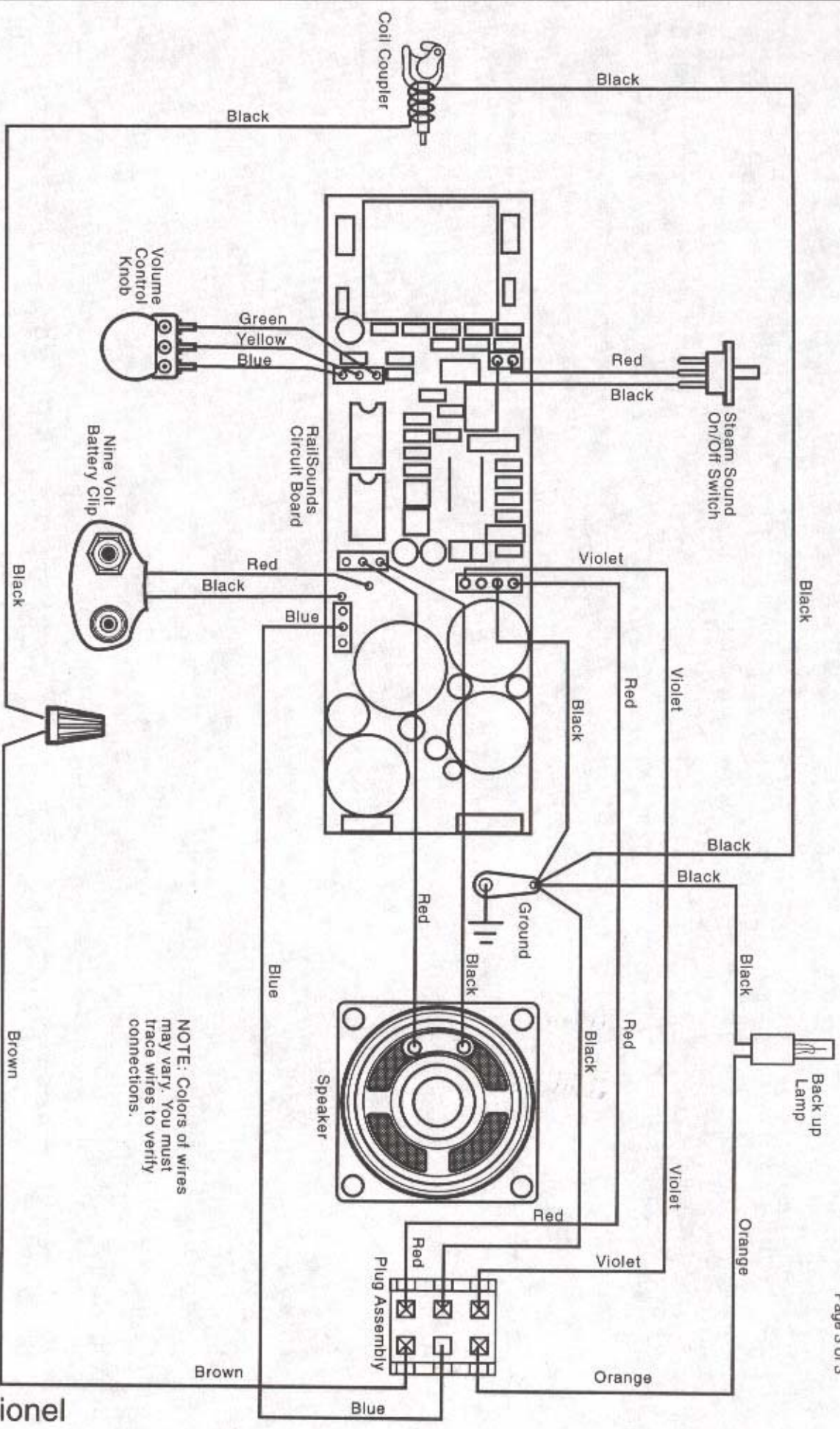


691-8071-T01 SOUTHERN PACIFIC DAYLIGHT TENDER

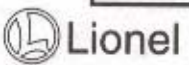
(Page 2 of 3)



691-8071-T01 SOUTHERN PACIFIC DAYLIGHT TENDER PICTORIAL WIRING DIAGRAM

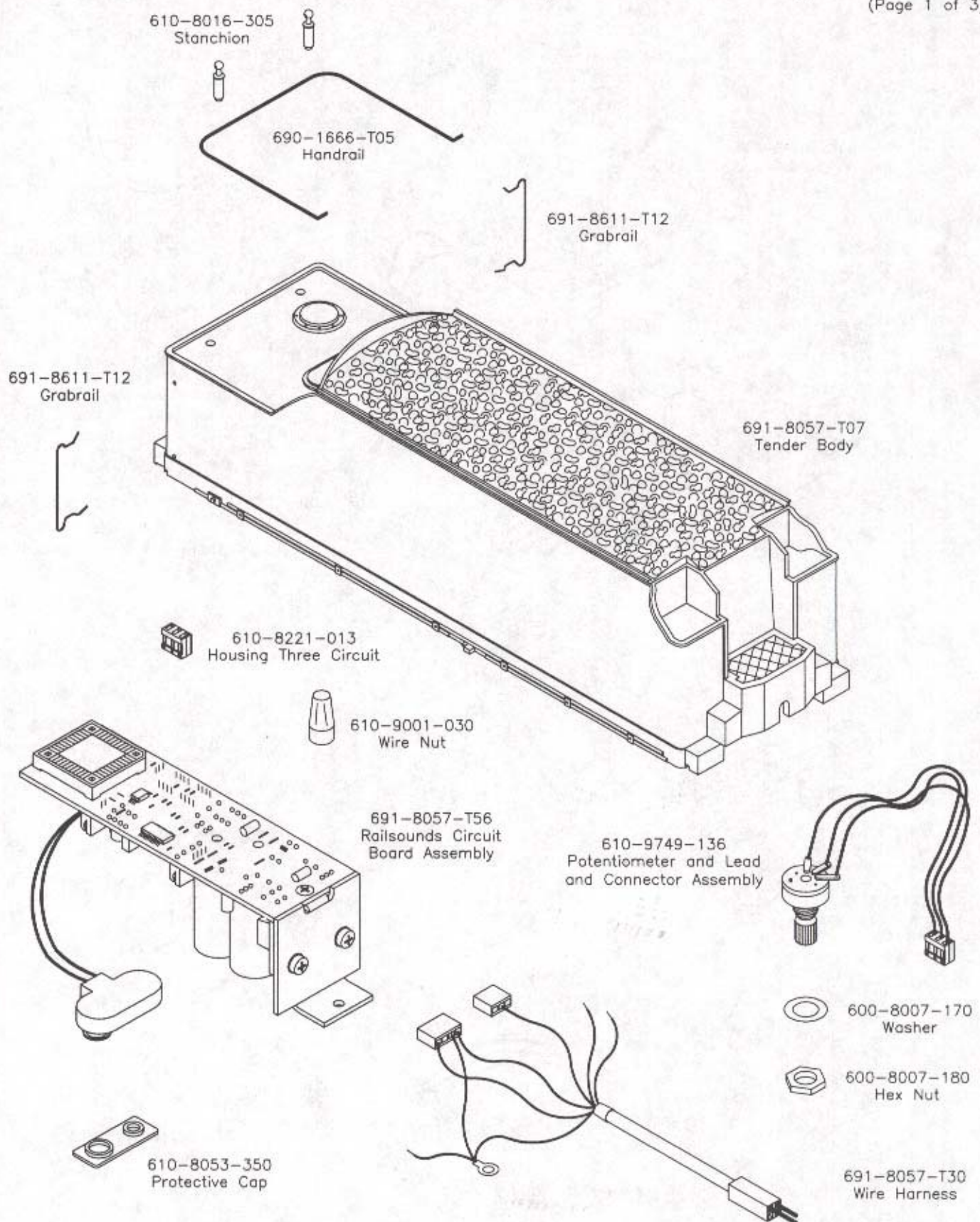


NOTE: Colors of wires may vary. You must trace wires to verify connections.



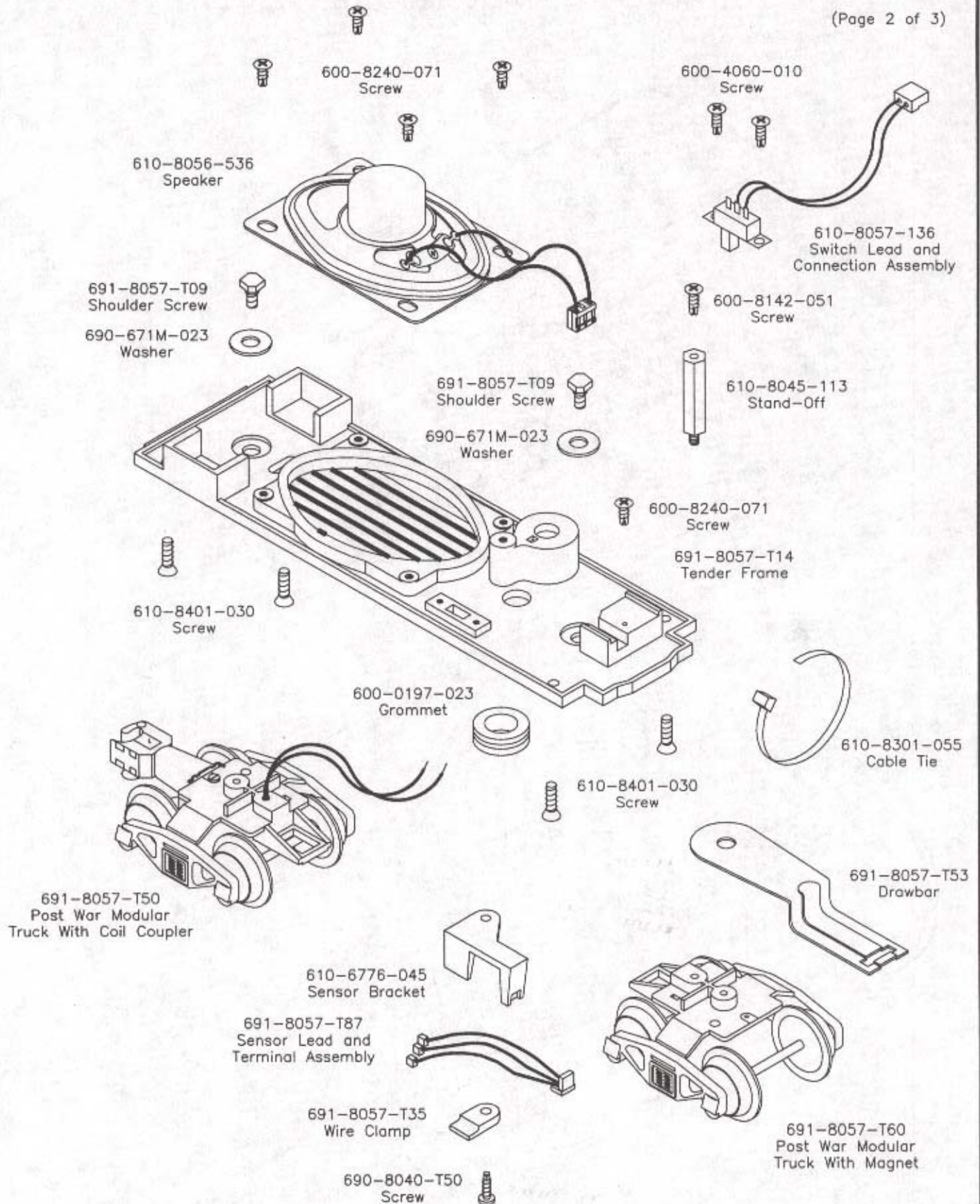
691-8057-T01 PENNSYLVANIA 671 STEAM TURBINE TENDER (LIONEL LINES)

(Page 1 of 3)



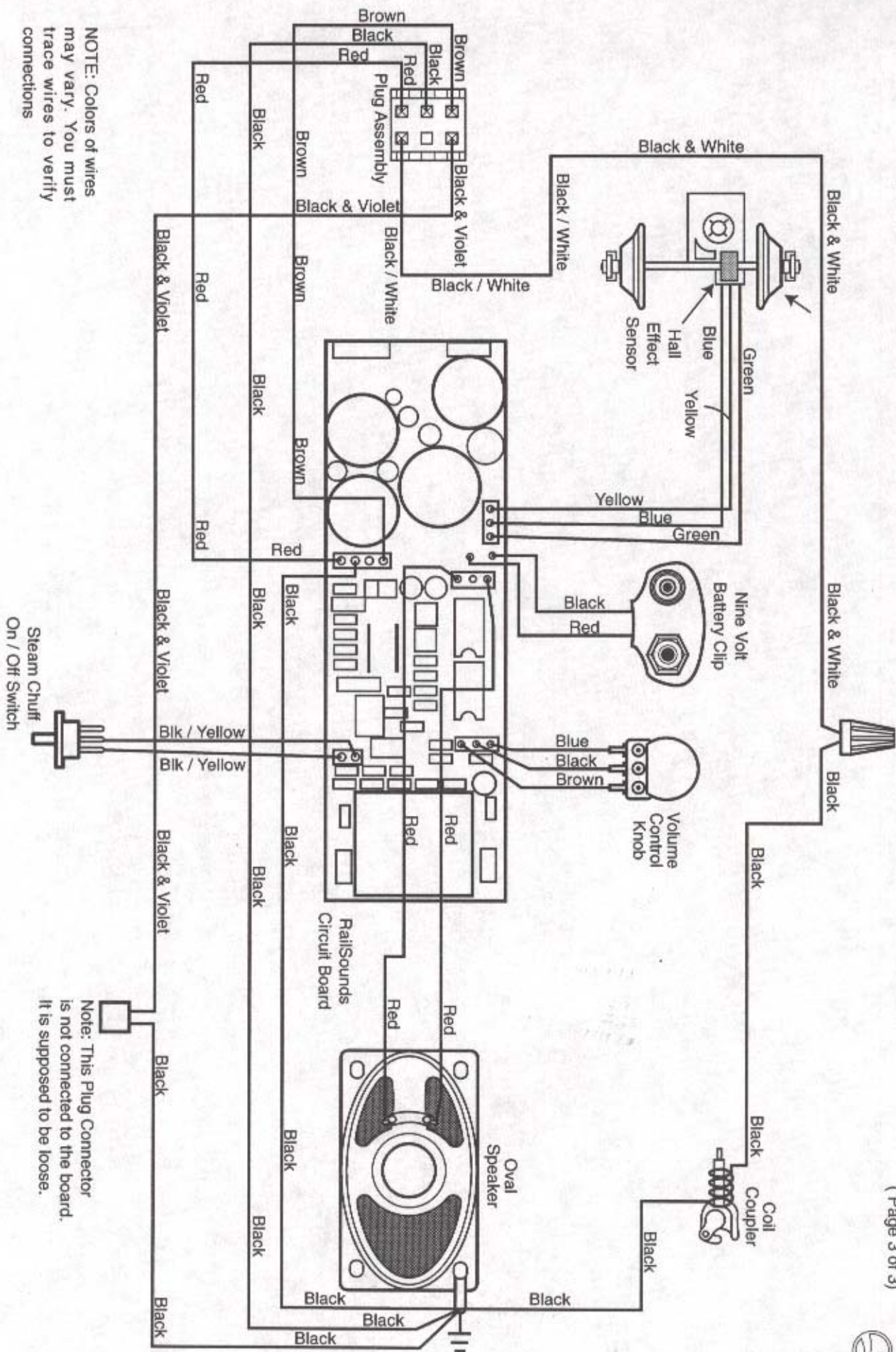
691-8057-T01 PENNSYLVANIA 671 STEAM TURBINE TENDER (LIONEL LINES)

(Page 2 of 3)



691-8057-T01 PENNSYLVANIA 671 STEAM TURBINE TENDER (LIONEL LINES) PICTORIAL WIRING DIAGRAM

(Page 3 of 3)



NOTE: Colors of wires may vary. You must trace wires to verify connections

Note: This Plug Connector is not connected to the board. It is supposed to be loose.