



# LIONEL

\$10.00  
#610-0043-001  
Issued 9-99

## PARTS LIST AND EXPLODED DIAGRAMS SUPPLEMENT 43

Produced by Lionel®  
50625 Richard W. Boulevard  
Chesterfield, MI 48051-2493

### CONTENTS

#### O and O27 gauges Diesel Engines Powered Units

F-3A  
6-18138 Mil. Rd.  
6-18192 W.P.  
6-18195 E.L.  
6-38101 T.S.  
6-38103 T.S.  
6-38104 C.P.  
6-38106 N.Y.C.  
6-38151 P.G.  
6-38154 S.O.C.

#### Diesel Non-Powered Units

F-3A  
6-18193 W.P.  
6-38105 C.P.  
6-38107 N.Y.C.  
6-38152 P.G.  
6-38155 S.O.C.

#### Diesel Non-Powered Units Cont.

F-3B  
6-18139 Mil. Rd.  
6-18178 N.Y.C.  
6-18196 E.L.  
6-18197 W.P.  
6-18198 W.P.  
6-38102 T.S.  
PB-1  
6-18965 S.F.  
6-18966 N.Y.C.

#### Steam Locomotives

L-3 A Mohawk 4-8-2  
6-18064 N.Y.C.  
General 4-4-0  
6-18720 Union  
6-18721 Confederate

Copyright© 1999  
By Lionel  
All Rights Reserved

Lionel® and American Flyer® are the registered trademarks of Lionel, Chesterfield Michigan

**Tenders**

L-3A Mohawk  
691-8064-T01 N.Y.C.  
General  
691-8720-T01 Union  
691-8721-T01 Confederate

**Rolling Stock**

Double Door Boxcar Std "O" with Auto Frames  
6-17231 Wisconsin  
6-17232 Union Pacific  
6-17255 Chevy Trucks  
Flatcar Std "O" with Auto Frames  
6-17533 Ford  
6-36020 Trailer & Train

**Operating Cars**

City Lights Boxcar  
6-16791 New York City

This supplement is designed to fit with two different publications, the *Lionel Service Manual* 1986 to 1999 and *Lionel Parts List and Exploded Diagrams*.

Each page has two numbers. The number for the *Lionel Service Manual* is indicated by parentheses, e.g., (B-89). The number which applies to *Lionel Parts Lists and Exploded Diagrams* is above the parentheses, e.g., S43: 1-1.

# INDEX TO LIONEL PARTS LISTS AND EXPLODED DIAGRAMS SUPPLEMENT 43

## ALPHABETICAL INDEX

### O AND 027 GAUGES DIESEL ENGINES

#### POWER UNITS

F-3 A S:43 1-1,2,3,4,5,6,7,8,9  
6-38104 C.P.  
6-18195 E.L.  
6-18138 Mil.  
6-38106 N.Y.C.  
6-38151 P.G.  
6-38154 S.O.C.  
6-38101 T.S.  
6-38103 T.S.  
6-18192 W.P.

#### NON POWERED UNITS

F-3 A S43: 2-1,2,3,4,5,6  
6-38105 C.P.  
6-38107 N.Y.C.  
6-38152 P.G.  
6-38155 S.O.C.  
6-18193 W.P.  
F-3 B S43: 2-7,8,9,10,11  
6-18196 E.L.  
6-18139 Mil.  
6-18178 N.Y.C.  
6-38102 T.S.  
6-18197 W.P.  
6-18198 W.P.  
PB-1 S43: 2-12,13,14  
6-18966 N.Y.C.  
6-18965 S.F.

### STEAM LOCOMOTIVES

General 4-4-0 S43: 3-6,7  
6-18721 Conf.  
6-18720 Union  
L-3 A Mohawk 4-8-2 S43: 3-1,2,3,4,5  
6-18064 N.Y.C.

#### TENDERS

General S43: 4-4  
691-8721-T01 Conf.  
691-8720-T01 Union  
L-3 A Mohawk S43: 4-1,2,3  
691-8064-T01 N.Y.C.

### ROLLING STOCK

Double Door B.C.  
Std. "O" with Auto Frames S43: 5-1,2,3  
6-17255 C.T.  
6-17232 U.P.  
6-17231 WI  
Flat Car Std. "O" with Auto Frames S43: 5-4  
6-17533 Ford  
6-36020 T.T.

### OPERATING CARS

Box Car City Lights S43: 8-1,2,3  
6-16791 N.Y.C.

## NUMERICAL LISTINGS SUPPLEMENT 43

---

---

601-6020-000	S43: 5-4
601-6791-000	S43: 8-1,2,3
601-7231-000	S43: 5-1,2,3
601-7232-000	S43: 5-1,2,3
601-7255-000	S43: 5-1,2,3
601-7533-000	S43: 5-4
601-8138-000	S43: 1-1,2,3,4,5,6,7,8,9
601-8139-000	S43: 2-7,8,9,10,11
601-8192-000	S43: 1-1,2,3,4,5,6,7,8,9
601-8193-000	S43: 2-1,2,3,4,5,6
601-8178-000	S43: 2-7,8,9,10,11
601-8195-000	S43: 1-1,2,3,4,5,6,7,8,9
601-8196-000	S43: 2-7,8,9,10,11
601-8197-000	S43: 2-7,8,9,10,11
601-8198-000	S43: 2-7,8,9,10,11
601-8965-000	S43: 2-12,13,14
601-8966-000	S43: 2-12,13,14
603-8101-000	S43: 1-1,2,3,4,5,6,7,8,9
603-8102-000	S43: 2-7,8,9,10,11
603-8103-000	S43: 1-1,2,3,4,5,6,7,8,9
603-8104-000	S43: 1-1,2,3,4,5,6,7,8,9
603-8105-000	S43: 2-1,2,3,4,5,6
603-8106-000	S43: 1-1,2,3,4,5,6,7,8,9
603-8107-000	S43: 2-1,2,3,4,5,6
603-8151-000	S43: 1-1,2,3,4,5,6,7,8,9
603-8152-000	S43: 2-1,2,3,4,5,6
603-8154-000	S43: 1-1,2,3,4,5,6,7,8,9
603-8155-000	S43: 2-1,2,3,4,5,6
610-8064-001	S43: 3-1,2,3,4,5
610-8720-001	S43: 3-6,7
610-8721-001	S43: 3-6,7
691-8064-T01	S43: 4-1,2,3
691-8720-T01	S43: 4-4
691-8721-T01	S43: 4-4

# LIONEL SERVICE MANUAL INDEX BY LETTER SUPPLEMENT 43

Description	Drawing
<b>Diesel Locomotives Powered Units</b>	
F-3A.....	(B-89-2,3,4,5,6,7,8,9)
6-18138 Mil. Rd.	
6-18192 W.P.	
6-18195 E.L.	
6-38101 T.S.	
6-38103 T.S.	
6-38104 C.P.	
6-38106 N.Y.C.	
6-38151 P.G.	
6-38154 S.O.C.	
<b>Diesel Non-Powered Units</b>	
F-3A.....	(C-73-2,3,4,5,6)
6-18193 W.P.	
6-38105 C.P.	
6-38107 N.Y.C.	
6-38152 P.G.	
6-38155 S.O.C.	
F-3B.....	(C-74,2,3,4,5)
6-18139 Mil. Rd.	
6-18178 N.Y.C.	
6-18196 E.L.	
6-18197 W.P.	
6-18198 W.P.	
6-38102 T.S.	
PB-1.....	(C-75,2,3)
6-18965 S.F.	
6-18966 N.Y.C.	
<b>Steam Locomotives</b>	
L-3 A Mohawk 4-8-2.....	(A-75-2,3,4,5)
6-18064 N.Y.C.	
General 4-4-0.....	(A-76-2)
6-18720 Union	
6-18721 Confederate	

Tenders

L-3 A Mohawk.....(C-71-2,3)  
691-8064-T01 N.Y.C.

General Tenders.....(C-72)  
691-8720-T01 Union  
691-8721-T01 Confederate

Rolling Stock

Double Door Box Car Std "O" with Auto Frames.....(F-170,2,3)  
6-17231 Wisconsin  
6-17232 Union Pacific  
6-17255 Chevy Trucks

Flat Car Std "O" with Auto Frames.....(F-171)  
6-17533 Ford  
6-36020 Trailer & Train

Operating Cars

City Lights.....(F-172,2,3)  
6-16791 New York City

# F-3 A POWERED DIESEL LOCOMOTIVE WITH COMMAND CONTROL

(Page 1 of 9)

610-XXXX-007  
F-3 A Unit Cab  
(Ref. 1)

600-2332-007  
Horn Assembly

600-8952-025  
F-3 Porthole

600-8952-025  
F-3 Porthole

600-2333-015  
Car Door Ladder

600-8952-025  
F-3 Porthole

610-8132-326  
Antenna with Lead  
(Ref. 8)

600-8952-025  
F-3 Porthole

600-2333-015  
Car Door Ladder

610-XXXX-053  
Marker Lens  
Left Hand  
(Ref. 3)

610-8128-025  
Headlight Lens

610-XXXX-043  
Marker Lens  
Right Hand  
(Ref. 2)

600-2420-015  
Palnut

600-9234-011  
Palnut

600-2333-012  
Wire Cloth  
Ventilator

600-2333-016  
Grabrail

630-8101-016  
Grabrail  
Texas Special

610-8122-065  
Window

600-9234-011  
Palnut

600-2333-025  
Window Shell

600-8260-030  
Rivet

600-0455-020  
Speednut

610-8134-025  
Cab Interior

600-8260-026  
Bracket Spacer

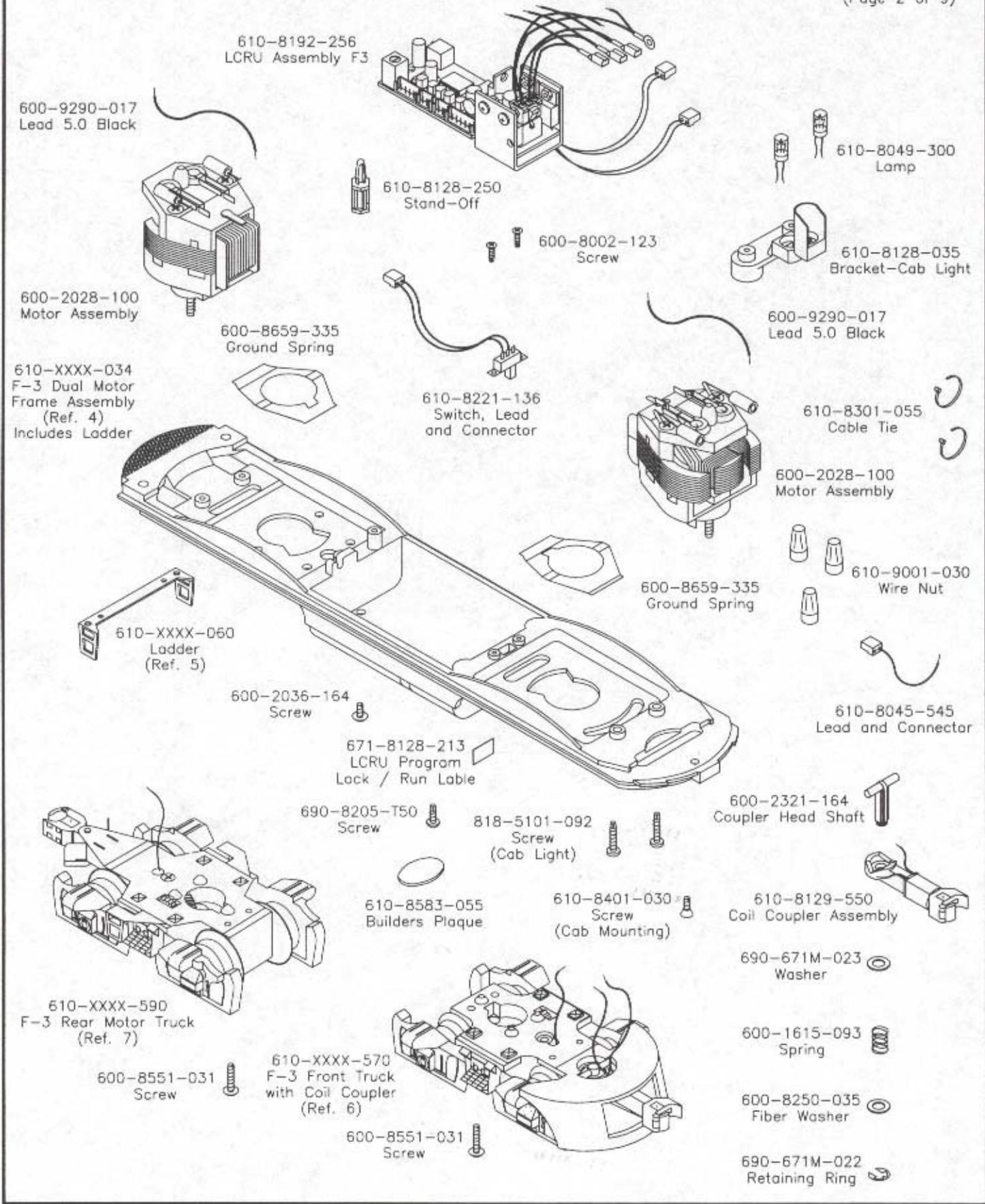
600-2353-022  
Mounting Bracket

610-8134-035  
Radio

610-8205-014  
Engineer Figure

# F-3 A POWERED DIESEL LOCOMOTIVE WITH COMMAND CONTROL

(Page 2 of 9)

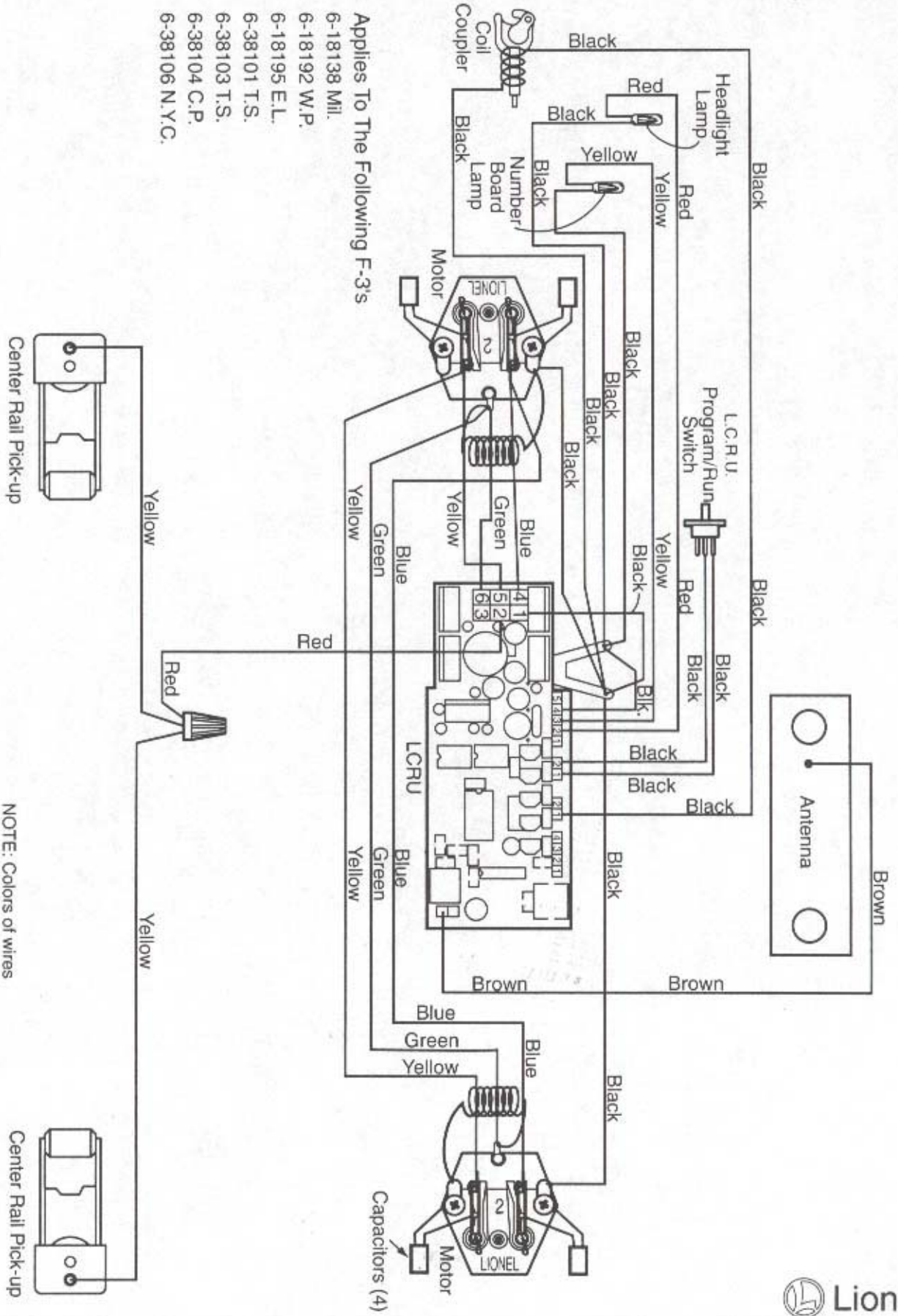




# F-3A POWERED DIESEL LOCOMOTIVE WITH COMMAND CONTROL PICTORIAL WIRING DIAGRAM

( Page 3 of 9 )

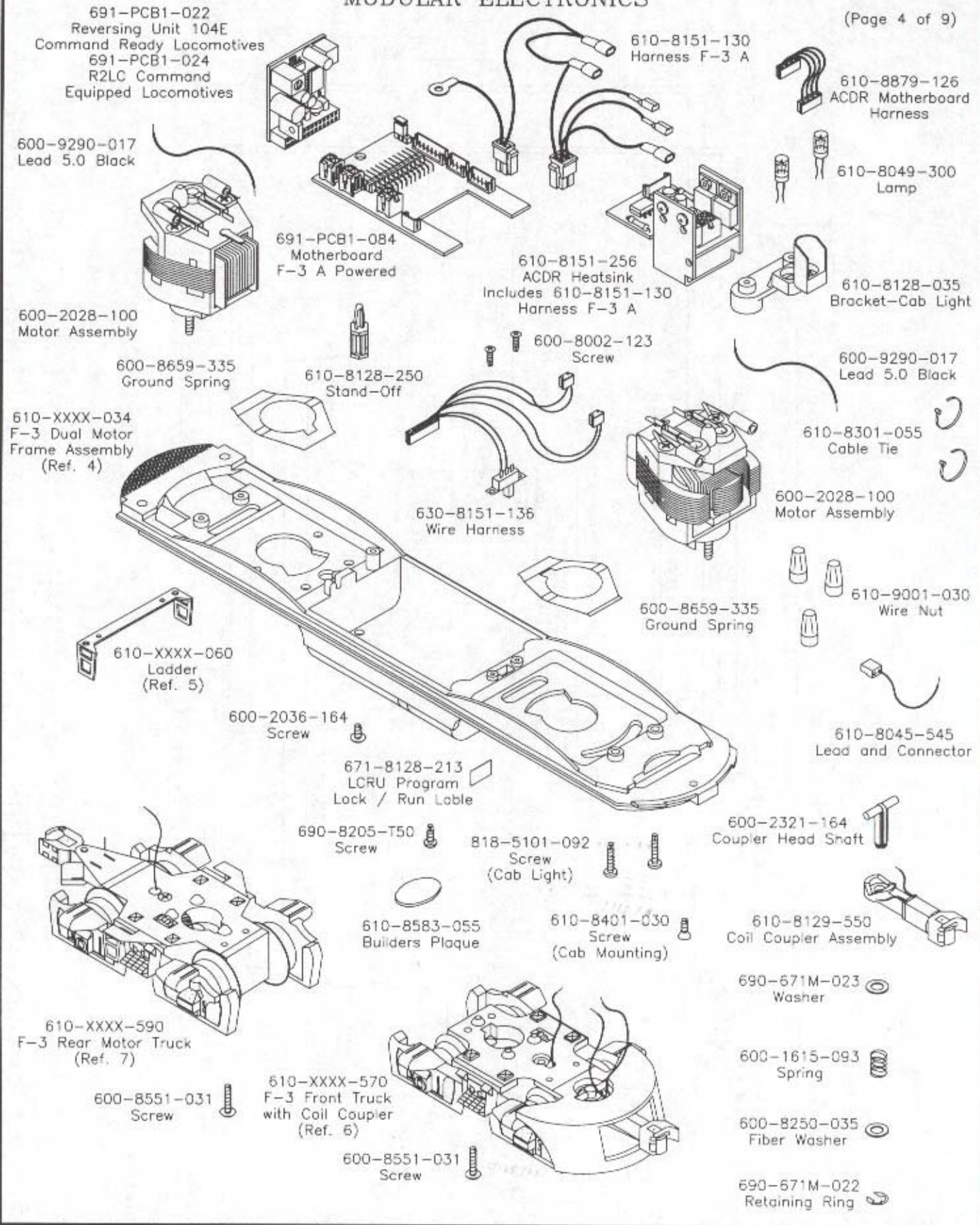
Applies To The Following F-3's  
 6-18138 Mil.  
 6-18192 W.P.  
 6-18195 E.L.  
 6-38101 T.S.  
 6-38103 T.S.  
 6-38104 C.P.  
 6-38106 N.Y.C.



NOTE: Colors of wires may vary. You must trace wires to verify connections

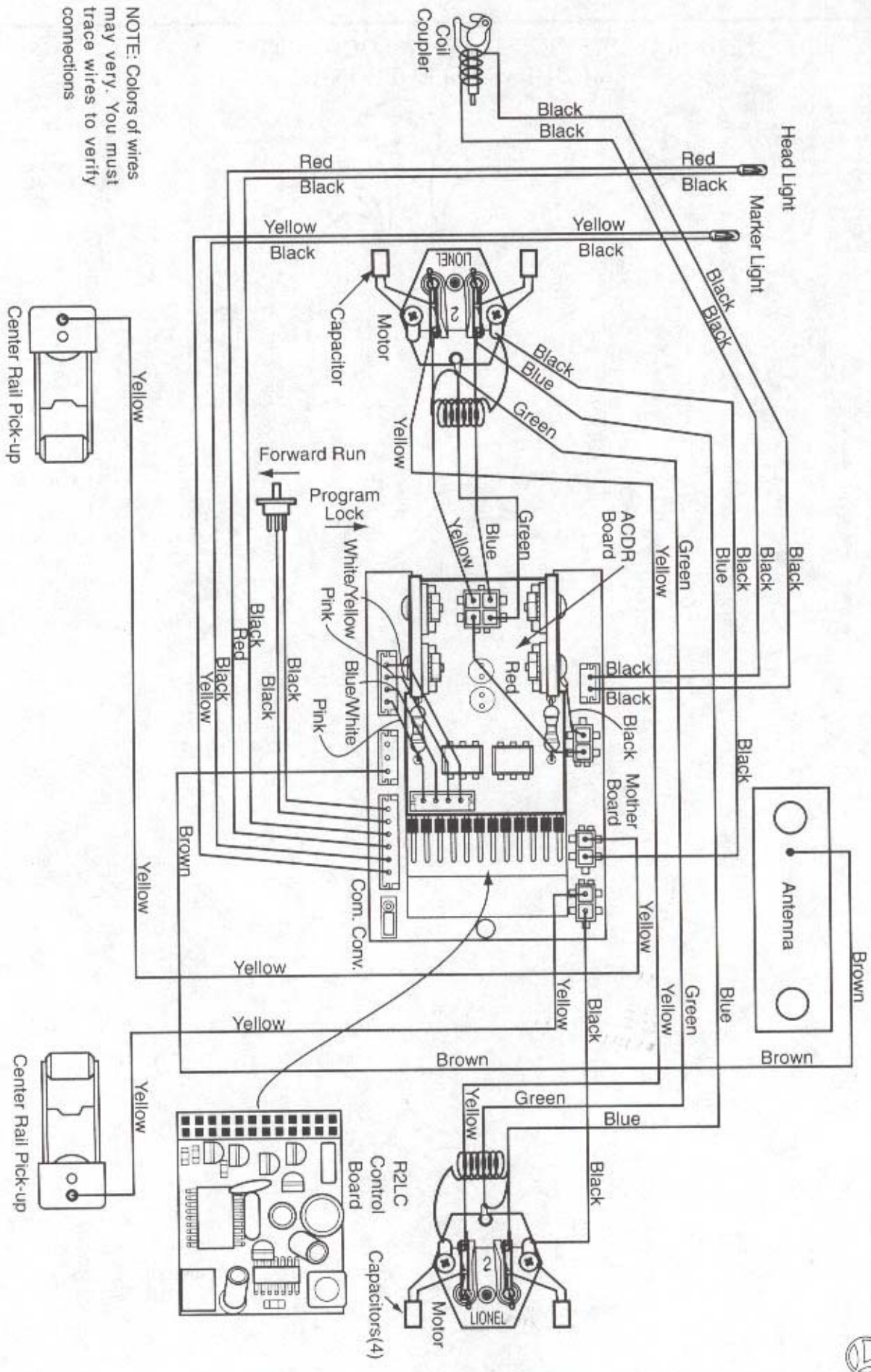
# F-3 A POWERED DIESEL LOCOMOTIVE WITH MODULAR ELECTRONICS

(Page 4 of 9)



# F-3A - POWERED DIESEL LOCOMOTIVE WITH COMMAND CONTROL MODULAR BOARD PICTORIAL WIRING DIAGRAM

( Page 5 of 9 )



NOTE: Colors of wires may vary. You must trace wires to verify connections



**F-3A POWERED DIESEL LOCOMOTIVE WITH COMMAND  
6-18138 MILWAUKEE ROAD  
PAGE 6 OF 9**

PART NUMBER											DESCRIPTION	QTY	REF #	
6	1	0	-	8	1	0	4	-	5	9	0	F-3 Rear Truck W/Mag Black Side	1	7
6	1	0	-	8	1	2	1	-	0	6	0	Ladder	1	5
6	1	0	-	8	1	2	3	-	0	3	4	F-3 Dual Motor Frame Assy. Black	1	4
6	1	0	-	8	1	3	8	-	0	0	7	F-3 A Unit Cab Milwaukee Road	1	1
6	1	0	-	8	1	3	8	-	0	4	3	Marker Lens R.H.	1	2
6	1	0	-	8	1	3	8	-	0	5	3	Marker Lens L.H.	1	3
6	1	0	-	8	1	3	8	-	5	7	0	F-3 Frt. Trk W/CC Blk Sides & Pl.	1	6

**F-3A POWERED DIESEL LOCOMOTIVE WITH COMMAND  
6-18192 WESTERN PACIFIC**

PART NUMBER											DESCRIPTION	QTY	REF #	
6	1	0	-	8	1	0	0	-	5	9	0	F-3 Rear Mtr Trk W/Mag Slv Sides	1	7
6	1	0	-	8	1	2	8	-	0	3	4	F-3 Dual Mtr Frame Assy Silver	1	4
6	1	0	-	8	1	2	9	-	0	6	4	Ladder Silver	1	5
6	1	0	-	8	1	9	2	-	0	0	7	F-3 A Unit Cab Western Pacific	1	1
6	1	0	-	8	1	9	2	-	0	2	0	Decal Western Pacific	1	None
6	1	0	-	8	1	9	2	-	0	4	3	Marker Lens R.H.	1	2
6	1	0	-	8	1	9	2	-	0	5	3	Marker Lens L.H.	1	3
6	1	0	-	8	1	9	2	-	5	7	0	F-3 Frt Mtr Trk W/Mag Slv Sides/Pl	1	6

**S 43: 1-6  
( B-89-6 )**

**F-3 A POWERED DIESEL LOCOMOTIVE WITH COMMAND  
6-18195 ERIE LACKAWANNA  
PAGE 7 OF 9**

PART NUMBER											DESCRIPTION	QTY	REF #	
6	1	0	-	8	1	2	1	-	0	6	0	Ladder Black	1	5
6	1	0	-	8	1	9	5	-	0	0	7	F-3 A unit Cab Erie Lackawanna	1	1
6	1	0	-	8	1	9	5	-	0	3	1	F-3 Dual Mtr Frame Assy Blk/Yel	1	4
6	1	0	-	8	1	9	5	-	0	4	3	Marker Lens R.H.	1	2
6	1	0	-	8	1	9	5	-	0	5	3	Marker Lens L.H.	1	3
6	1	0	-	8	1	9	5	-	5	7	0	F-3 Front Motor Truck	1	6
6	1	0	-	8	1	9	5	-	5	9	0	F-3 Rear Motor Truck	1	7

**F-3 A POWERED DIESEL LOCOMOTIVE WITH COMMAND  
6-38101 & 6-38103 TEXAS SPECIAL**

PART NUMBER											DESCRIPTION	QTY	REF #	
6	1	0	-	8	1	0	0	-	5	9	0	F-3 Rear Motor Truck	1	7
6	1	0	-	8	1	2	9	-	0	6	4	Ladder Silver	1	5
6	3	0	-	8	1	0	1	-	0	1	4	F-3 A Unit Cab Texas Special	1	1
6	3	0	-	8	1	0	1	-	0	1	6	Grabrails (Texas Special Only)	2	None
6	3	0	-	8	1	0	1	-	0	3	1	F-3 Dual Motor Frame Assy Silver	1	4
6	3	0	-	8	1	0	1	-	0	4	4	Marker Lens R.H.	1	2
6	3	0	-	8	1	0	1	-	0	5	4	Marker Lens L.H.	1	3
6	3	0	-	8	1	0	1	-	5	7	0	F-3 Frt Mtr Truck Silver Sides	1	6

**S 43: 1-7  
( B-89-7 )**

**F-3 A POWERED DIESEL LOCOMOTIVE WITH COMMAND  
6-38104 CANADIAN PACIFIC  
PAGE 8 OF 9**

PART NUMBER												DESCRIPTION	QTY	REF #
6	1	0	-	8	1	2	1	-	0	6	4	Ladder Black	1	5
6	1	0	-	8	1	9	5	-	5	7	0	F-3 Front Motor Truck	1	6
6	1	0	-	8	1	9	5	-	5	9	0	F-3 Rear Motor Truck	1	7
6	3	0	-	8	1	0	4	-	0	0	7	F-3 A Unit Cab C.P.	1	1
6	3	0	-	8	1	0	4	-	0	1	4	Marker Lens R.H.	1	2
6	3	0	-	8	1	0	4	-	0	2	4	Marker Lens R.H.	1	3
6	3	0	-	8	1	0	4	-	0	3	4	F-3 Dual Mtr Frame Assy Black	1	4

**F-3 A POWERED DIESEL LOCOMOTIVE WITH COMMAND  
6-38106 N.Y.C.**

PART NUMBER												DESCRIPTION	QTY	REF #
6	3	0	-	8	1	0	6	-	0	0	7	F-3 A Unit Cab N.Y.C.	1	1
6	3	0	-	8	1	0	6	-	0	1	0	Horn Assy (Gold) Cent Club Only	2	None
6	3	0	-	8	1	0	6	-	0	3	4	F-3 Dual Motor Frame Gray	1	4
6	3	0	-	8	1	0	6	-	0	4	3	Marker Lens R.H.	1	2
6	3	0	-	8	1	0	6	-	0	5	3	Marker Lens L.H.	1	3
6	3	0	-	8	1	0	6	-	5	7	0	F-3 Front Motor Truck Gray Sides	1	6
6	3	0	-	8	1	0	6	-	5	9	0	F-3 Rear Motor Truck Gray Sides	1	7
6	1	0	-	8	1	7	8	-	0	6	4	Ladder	1	5

S 43: 1-8  
( B-89-8 )

**F-3 A POWERED DIESEL LOCOMOTIVE COMMAND READY  
6-38151 PLATINIUM GHOST  
PAGE 9 OF 9**

PART NUMBER											DESCRIPTION	QTY	REF #	
6	3	0	-	8	1	5	1	-	0	0	7	F-3 A Unit Cab Platinum Ghost	1	1
6	3	0	-	8	1	5	1	-	0	2	0	Applique F-3	1	None
6	3	0	-	8	1	5	1	-	0	3	0	F-3 Dual Mtr Frame Assy. Plated	1	4
6	1	0	-	8	1	2	1	-	0	6	0	Ladder Silver	1	5
6	3	0	-	8	1	5	1	-	0	4	3	Marker Lens R.H.	1	2
6	3	0	-	8	1	5	1	-	0	5	3	Marker Lens L.H.	1	3
6	3	0	-	8	1	5	1	-	5	7	0	F-3 Front Motor Truck Plated	1	6
6	3	0	-	8	1	5	1	-	5	9	0	F-3 Rear Motor Truck Plated	1	7
6	3	0	-	8	1	5	1	-	3	2	6	Antenna	1	8

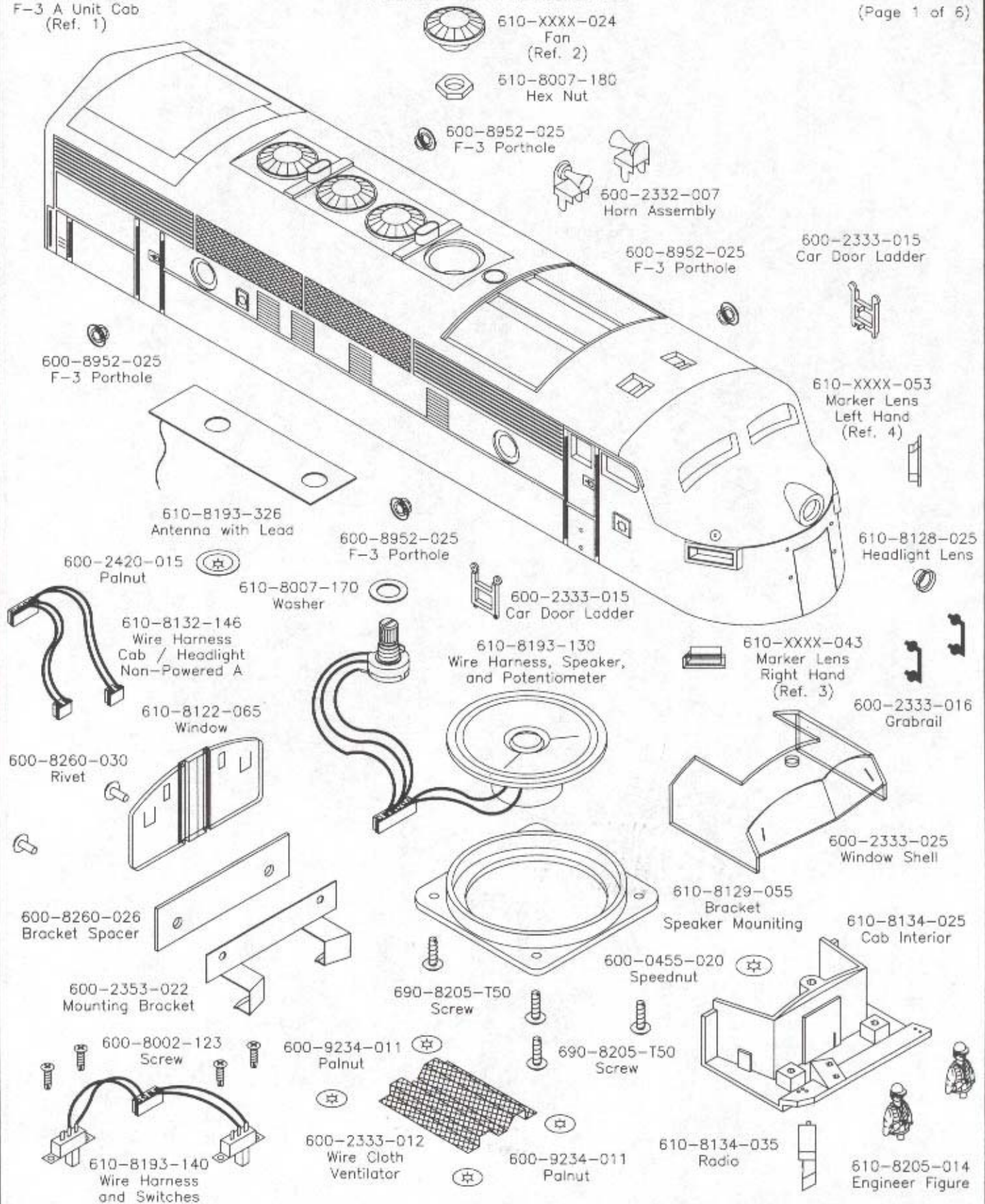
**F-3 A POWERED DIESEL LOCOMOTIVE WITH COMMAND  
6-38154 SPIRIT OF THE CENTURY**

PART NUMBER											DESCRIPTION	QTY	REF #	
6	1	0	-	8	1	2	1	-	0	6	0	Ladder Silver	1	5
6	3	0	-	8	1	5	1	-	0	2	0	Applique F-3	1	None
6	3	0	-	8	1	5	1	-	3	2	6	Antenna With Lead	1	8
6	1	0	-	8	1	5	4	-	0	0	7	F-3 A Unit Cab Spirit of the Cent.	1	1
6	1	0	-	8	1	5	4	-	0	4	3	Marker Lens R.H.	1	2
6	1	0	-	8	1	5	4	-	0	5	3	Marker Lens L.H.	1	3
6	1	0	-	8	1	5	4	-	5	7	0	F-3 Front Motor Truck Silver	1	6
6	1	0	-	8	1	5	4	-	5	9	0	F-3 Rear Motor Truck Silver	1	7
6	3	0	-	8	1	5	4	-	0	3	1	F-Dual Motor Frame Assy Silver	1	4

# F-3 A NON-POWERED DIESEL LOCOMOTIVE WITH COMMAND

610-XXXX-007  
F-3 A Unit Cab  
(Ref. 1)

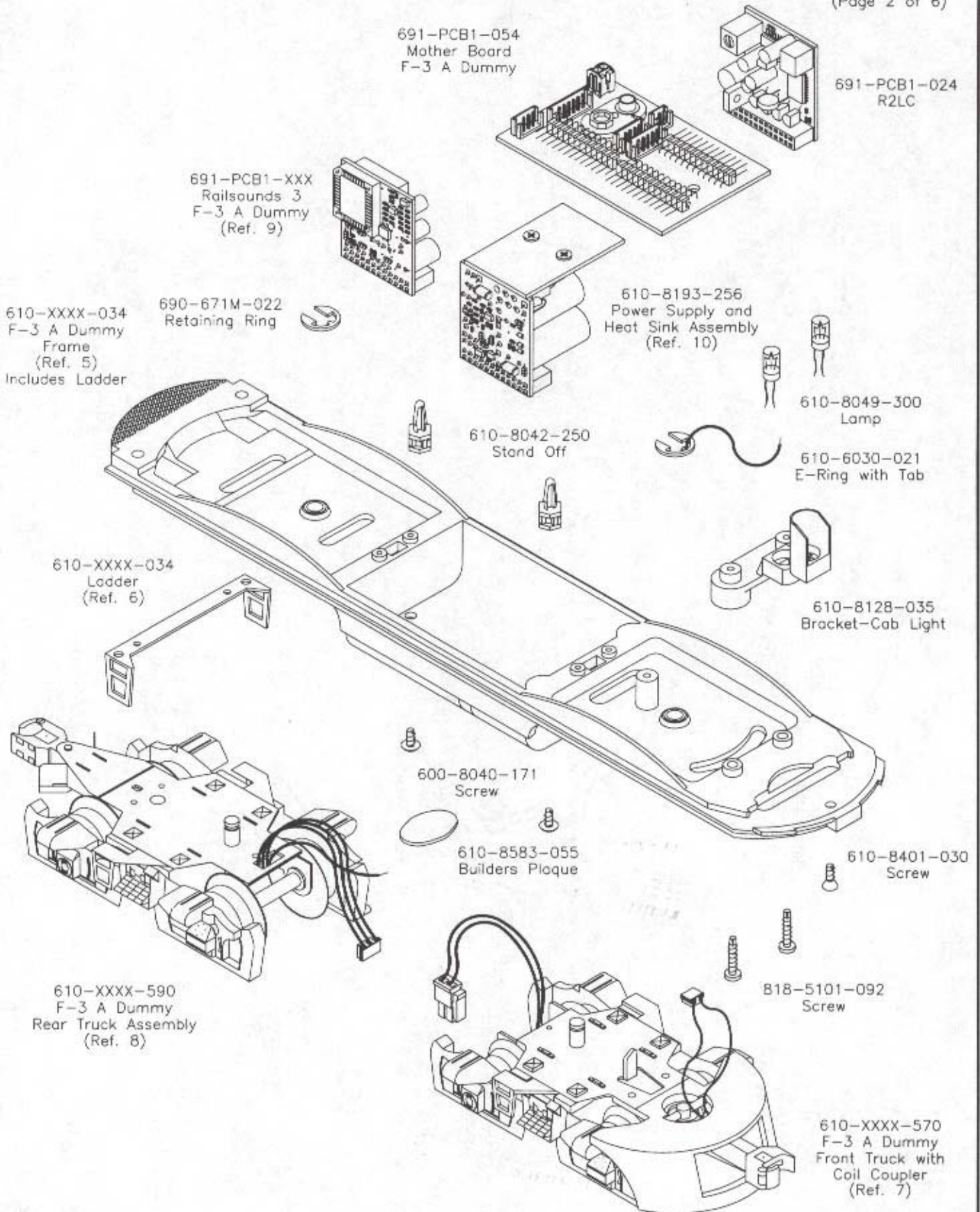
(Page 1 of 6)





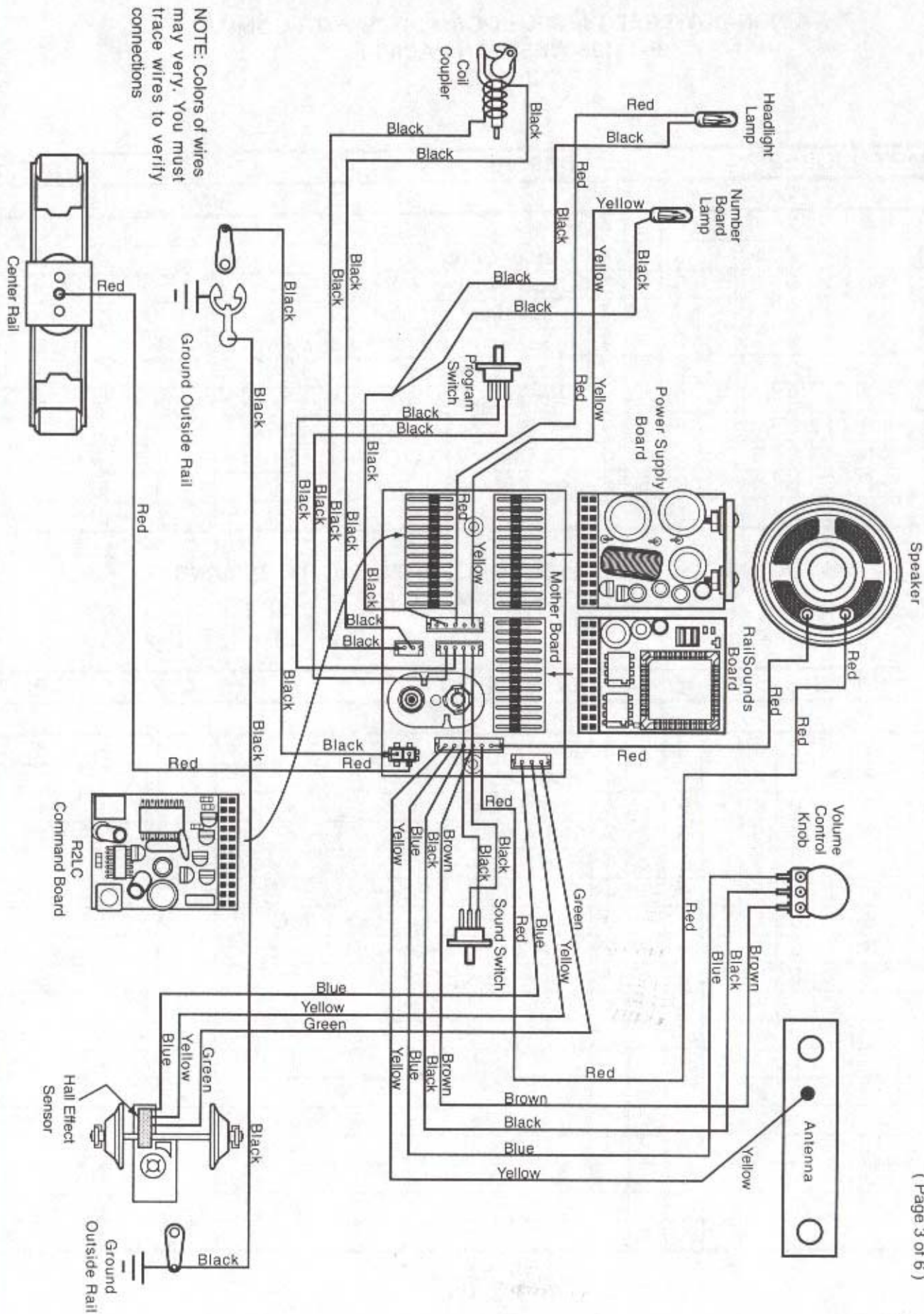
# F-3 A NON-POWERED DIESEL LOCOMOTIVE WITH COMMAND

(Page 2 of 6)



# F-3A NON-POWERED DIESEL LOCOMOTIVE WITH RAILSOUNDS : COMMAND PICTORIAL WIRING DIAGRAM

(Page 3 of 6)



NOTE: Colors of wires may vary. You must trace wires to verify connections

**F-3 A NON-POWERED DIESEL LOCOMOTIVE WITH COMMAND  
6-18193 WESTERN PACIFIC  
PAGE 4 OF 6**

PART NUMBER												DESCRIPTION	QTY	REF #
6	1	0	-	8	1	2	9	-	0	2	4	Fan	1	2
6	1	0	-	8	1	2	9	-	0	6	4	Ladder Silver	1	6
6	1	0	-	8	1	9	2	-	0	2	0	Decal Western Pacific	1	None
6	1	0	-	8	1	9	3	-	0	0	7	F-3 A Unit Cab W.P.	1	1
6	1	0	-	8	1	9	3	-	0	3	4	F-3 Dummy A Frame Assy Silver	1	5
6	1	0	-	8	1	9	3	-	0	4	3	Marker Lens R.H.	1	3
6	1	0	-	8	1	9	3	-	0	5	3	Marker Lens L.H.	1	4
6	1	0	-	8	1	9	3	-	5	7	0	F-3 Dummy Frt Trk W/CC Silver	1	7
6	1	0	-	8	1	9	3	-	5	9	0	F-3 Dummy Rear Trk Assy Silver	1	8
6	9	1	-	P	C	B	1	-	0	5	5	Railsounds 3 F-3 W.P.	1	9

**F-3 A NON POWERED DIESEL LOCOMOTIVE WITH COMMAND  
6-38105 CANADIAN PACIFIC**

PART NUMBER												DESCRIPTION	QTY	REF #
6	1	0	-	8	1	2	1	-	0	6	0	Ladder Black	1	6
6	3	0	-	8	1	0	4	-	0	1	4	Marker Lens R.H.	1	3
6	3	0	-	8	1	0	4	-	0	2	4	Marker Lens L.H.	1	4
6	3	0	-	8	1	0	5	-	0	0	7	F-3 A Unit Cab C.P.	1	1
6	3	0	-	8	1	0	5	-	0	2	4	Fan	1	2
6	3	0	-	8	1	0	5	-	0	3	4	F-3 Dummy A Frame Assy.	1	5
6	3	0	-	8	1	0	5	-	5	7	0	F-3 A Dummy Frt Truck W/CC	1	7
6	3	0	-	8	1	0	5	-	5	9	0	F-3 Dummy Rear Truck Assy.	1	8
6	9	1	-	P	C	B	1	-	0	A	4	Railsounds 3 F-3 C.P.	1	9

**S 43: 2-4  
( C-73-4 )**

**F-3 A NON-POWERED DIESEL LOCOMOTIVE WITH COMMAND  
38107 N.Y.C.  
PAGE 5 OF 6**

PART NUMBER											DESCRIPTION	QTY	REF #	
6	1	0	-	8	1	2	1	-	0	6	0	Ladder Black	1	6
6	3	0	-	8	1	0	6	-	0	1	0	Horn Assy. Gold	2	None
6	3	0	-	8	1	0	6	-	0	4	3	Marker Lens R.H.	1	3
6	3	0	-	8	1	0	6	-	0	5	3	Marker Lens L.H.	1	4
6	3	0	-	8	1	0	7	-	0	0	7	F-3 A Unit Cab N.Y.C.	1	1
6	3	0	-	8	1	0	7	-	0	2	4	Fan	1	2
6	3	0	-	8	1	0	7	-	0	3	4	F-3 Dummy A Frame Assy.	1	5
6	3	0	-	8	1	0	7	-	5	7	0	F-3 A Dummy Frt Trk W/CC	1	7
6	3	0	-	8	1	0	7	-	5	9	0	F-3 A Dummy Rear Trk Assy.	1	8
6	9	1	-	P	C	B	1	-	0	9	B	Railsounds N.Y.C.	1	9

**F-3 A NON POWERED DIESEL LOCOMOTIVE WITH COMMAND  
6-38152 PLATINUM GHOST**

PART NUMBER											DESCRIPTION	QTY	REF #	
6	3	0	-	8	1	5	1	-	0	2	0	Applique F-3	1	None
6	3	0	-	8	1	5	1	-	0	6	5	Fan Clear	1	2
6	3	0	-	8	1	5	2	-	0	0	7	F-3 A Unit Cab Platinum	1	1
6	3	0	-	8	1	5	2	-	0	3	0	F-3 Dummy A Frame Assy	1	5
6	3	0	-	8	1	5	2	-	0	4	3	Marker Lens R.H.	1	3
6	3	0	-	8	1	5	2	-	0	5	3	Marker Lens L.H.	1	4
6	3	0	-	8	1	5	2	-	5	7	0	F-3 A Dummy Front Truck	1	7
6	3	0	-	8	1	5	2	-	5	9	0	F-3 A Dummy Rear Truck	1	8
6	3	0	-	8	1	5	2	-	2	5	6	Std Sounds & Heatsink Assy.	1	9

**S 43: 2-5  
( C-73-5 )**

**F-3 A NON POWERED DIESEL LOCOMOTIVE WITH COMMAND  
6-38155 SPIRIT OF THE CENTURY  
PAGE 6 OF 6**

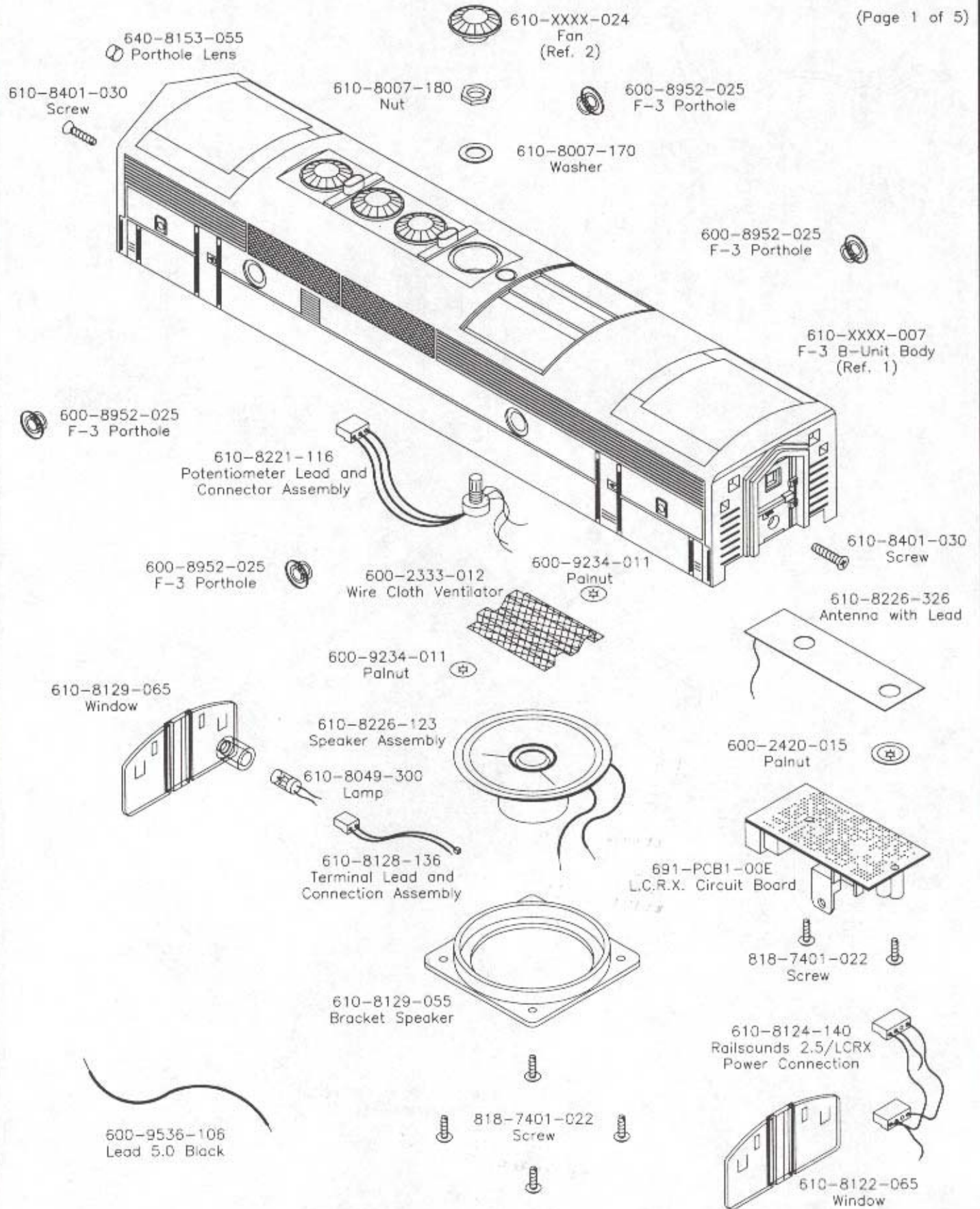
PART NUMBER													DESCRIPTION	QTY	REF #
6	1	0	-	8	1	9	3	-	5	9	0	F-3 A Dummy Rear Truck	1	8	
6	3	0	-	8	1	5	1	-	0	2	0	Applique F-3	1	None	
6	3	0	-	8	1	5	5	-	0	0	7	F-3 A Unit Cab Spirit Of The Cent	1	1	
6	3	0	-	8	1	5	5	-	0	2	4	Fan	1	2	
6	3	0	-	8	1	5	5	-	0	3	1	F-3 Dummy Frame Assy.	1	5	
6	3	0	-	8	1	5	5	-	0	4	3	Marker Lens R.H.	1	3	
6	3	0	-	8	1	5	5	-	0	5	3	Marker Lens L.H.	1	4	
6	3	0	-	8	1	5	5	-	5	7	0	F-3 A Dummy Front Truck	1	7	
6	9	1	-	P	C	B	1	-	0	B	B	Railsounds 4 F-3	1	9	
6	9	1	-	P	C	B	1	-	0	4	D	R.S. Power Supply	1	10	

PART NUMBER													DESCRIPTION	QTY	REF #

**S 43:2-6  
( C-73-6 )**

# F-3 B-UNIT WITH COMMAND

(Page 1 of 5)



# F-3 B-UNIT WITH COMMAND

610-8042-545  
Terminal and Wire Assembly

691-PCB1-XXX  
Railsounds F-3 Circuit Board  
(Ref. 8)

600-8142-051  
Screw

610-8139-130  
Harness Assembly  
Connection Switch  
F-3 LCRX

610-8301-055  
Cable Tie

610-8216-113  
Stand Off (Upper)

610-8216-123  
Stand Off (Lower)

610-8221-136  
Switch, Lead,  
Connector Assembly  
Sounds Switch

690-671M-022  
Retaining Ring

690-005E-033  
Eyelet

610-9001-030  
Wire Nut

691-8040-T50  
Battery Clip

610-8129-518  
Foam Pad

610-8129-187  
Frame Upper

690-671M-022  
Retaining Ring

610-XXXX-014  
Frame Lower  
(Ref. 3)

610-8221-012  
Housing 2 Circuit

610-XXXX-060  
Ladder  
(Ref. 5)

610-8129-113  
Sealer

610-8129-113  
Sealer

610-8583-055  
Plaque Postwar

600-2343-066  
Rivet

610-2724-021  
Screw

600-0622-017  
Rivet

600-8040-172  
Screw

610-XXXX-060  
Ladder  
(Ref. 5)

600-8142-051  
Screw

600-XXXX-136  
Plug Cap  
(Ref. 4)

600-0622-017  
Rivet

600-2343-066  
Rivet

610-XXXX-590  
F-3 B Rear Truck Assembly  
with Coil Coupler Includes  
All Parts With the Letter A  
(Ref. 7)

B 650-8400-005  
Screw

A 600-2328-170  
Collector Insulation

B 610-8122-087  
Sensor Lead and Terminal

A 600-2328-171  
Collector Assembly

610-XXXX-570  
F-3 B Front Truck Assembly  
with Hall Effects Sensor  
Includes All Parts With the Letter B  
(Ref. 6)

A 600-8250-035  
Fiber Washer

A 600-8141-022  
Screw

B 610-8502-085  
Sensor Bracket

**F-3 B UNIT WITH COMMAND  
6-18139 MILWAUKEE ROAD  
PAGE 3 OF 5**

PART NUMBER												DESCRIPTION	QTY	REF #
6	1	0	-	8	1	2	1	-	0	6	0	Ladder Black	2	5
6	1	0	-	8	1	6	4	-	1	3	6	Plug Cap Black	1	4
6	1	0	-	8	1	3	9	-	0	0	4	F-3 B Unit Cab Milwaukee Road	1	1
6	1	0	-	8	1	3	9	-	0	1	4	Frame Lower Black	1	3
6	1	0	-	8	1	3	9	-	0	2	4	Fan Gray	1	2
6	1	0	-	8	1	3	9	-	5	7	0	F-3 B Front Truck Assy. Black	1	6
6	1	0	-	8	1	3	9	-	5	9	0	F-3 B Rear Truck Assy. W/C.C.	1	7
6	9	1	-	P	C	B	1	-	0	3	4	Railsounds 2.5 F-3	1	8

**F-3 B UNIT WITHOUT SOUNDS  
6-18178 N.Y.C.**

PART NUMBER												DESCRIPTION	QTY	REF #
6	1	0	-	8	1	0	1	-	1	3	6	Plug Cap Silver	1	4
6	1	0	-	8	1	7	8	-	0	0	7	F-3 B Unit Cab N.Y.C.	1	1
6	1	0	-	8	1	7	8	-	0	1	4	Frame Lower Gray	1	3
6	1	0	-	8	1	7	8	-	0	6	4	Ladder Gray	2	5
6	1	0	-	8	1	7	8	-	5	7	0	Truck Assy.	2	6 & 7

**S 43: 2-9  
( C-74-3 )**



**F-3 B UNIT WITH COMMAND  
6-18196 ERIE LACKAWANNA  
PAGE 4 OF 5**

PART NUMBER											DESCRIPTION	QTY	REF #	
6	0	0	-	8	1	6	4	-	1	3	6	Plug Cap Black	1	4
6	1	0	-	8	1	2	1	-	0	6	0	Ladder Black Oxide	2	5
6	1	0	-	8	1	2	4	-	0	2	4	Fan Gray	1	2
6	1	0	-	8	1	3	9	-	5	7	0	F-3 B Unit Front Truck Assy.	1	6
6	1	0	-	8	1	9	6	-	0	0	7	F-3 B Unit Cab Erie Lackawanna	1	1
6	1	0	-	8	1	9	6	-	0	1	4	Frame Lower Black/Yellow	1	3
6	1	0	-	8	1	9	6	-	5	9	0	F-3 B Unit Rear Truck Assy C.C.	1	7
6	9	1	-	P	C	B	1	-	0	9	A	Railsounds 2.5 F-3 Erie	1	8

**F-3 B UNIT WITHOUT SOUNDS  
6-18197 WESTERN PACIFIC**

PART NUMBER											DESCRIPTION	QTY	REF #	
6	1	0	-	8	1	0	1	-	1	3	6	Plug Cap Silver	1	4
6	1	0	-	8	1	0	1	-	1	5	0	Truck Assy.	2	6 & 7
6	1	0	-	8	1	2	9	-	0	1	4	Frame Lower	1	3
6	1	0	-	8	1	2	9	-	0	6	4	Ladder Silver	2	5
6	1	0	-	8	1	9	7	-	0	0	7	F-3 B Unit Western Pacific	1	1

**S 43:2-10  
( C-74-4 )**

**F-3 B UNIT WITH COMMAND  
6-18198 WESTERN PACIFIC  
PAGE 5 OF 5**

PART NUMBER												DESCRIPTION	QTY	REF #
6	1	0	-	8	1	0	1	-	1	3	6	Plug Cap Silver	1	4
6	1	0	-	8	1	2	9	-	0	1	4	Frame Lower Silver	1	3
6	1	0	-	8	1	2	9	-	0	2	4	Fan (Silver)	1	2
6	1	0	-	8	1	2	9	-	0	6	4	Ladder (Silver)	2	5
6	1	0	-	8	1	9	8	-	0	0	7	F-3 B Unit Cab Western Pacific	1	1
6	1	0	-	8	1	9	8	-	5	7	0	F-3 B Frt Truck Assy.	1	6
6	1	0	-	8	1	9	8	-	5	9	0	F-3 B Rear Truck Assy W/CC	1	7
6	9	1	-	P	C	B	1	-	0	9	D	Railsounds F-3 W.P.	1	8

**F-3 B UNIT WITH COMMAND  
6-38102 TEXAS SPECIAL**

PART NUMBER												DESCRIPTION	QTY	REF #
6	1	0	-	8	1	0	1	-	1	3	6	Plug Cap Silver	1	4
6	1	0	-	8	1	2	9	-	0	1	4	Frame Lower Silver	1	3
6	1	0	-	8	1	2	9	-	0	6	4	Ladder Silver	2	5
6	3	0	-	8	1	0	2	-	0	1	4	F-3 B Unit Cab Texas Special	1	1
6	3	0	-	8	1	0	2	-	0	2	4	Fan Red	1	2
6	3	0	-	8	1	0	2	-	5	7	0	F-3 B Front Truck Assy.	1	6
6	3	0	-	8	1	0	2	-	5	9	0	F-3 B Rear Truck Assy.	1	7
6	9	1	-	P	C	B	1	-	0	9	9	Railsounds 2.5 Texas Special	1	8

S 43:2-11  
( C-74-5 )

# 6-18965 Santa Fe PB-1 6-18966 N.Y.C. PB-1

NOTE: FRONT OF UNIT

610-8965-007  
Cab PB-1 Santa Fe  
610-8966-007  
Cab PB-1 N.Y.C.

610-8961-156  
Short Handrail

610-8961-166  
Long Handrail

610-8961-156  
Short Handrail

610-8961-156  
Short Handrail

610-8961-166  
Long Handrail

610-8965-226  
Antenna Assy.  
with Wire Harness

610-8107-013  
Porthole Lens

610-8961-156  
Short Handrail

610-8965-113  
Standoff

610-8965-034  
Frame PB-1

818-5101-092  
Screw

600-0736-037  
Shoulder Screw

600-1615-093  
Spring

600-9570-107  
Washer

610-8965-296  
Gasket

600-8701-104  
Screw

610-8965-266  
Power Supply  
Heatsink Assy.

610-8965-286  
Speaker/Wire  
Harness Assy.

691-PCB1-050  
Motherboard with  
Potentiometer

691-PCB1-051  
Railsounds Board PB-1 S.F.  
691-PCB1-052  
Railsounds Board PB-1 N.Y.C.

610-9845-113  
Short Standoff

600-8010-035  
Screw

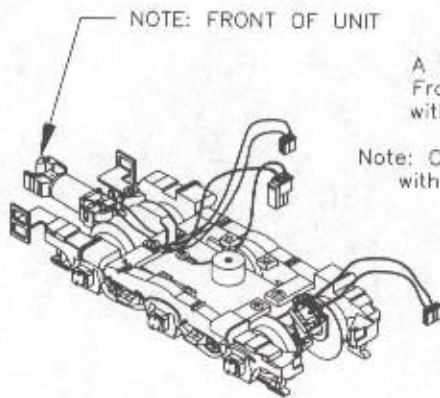
610-8965-120  
Standoff

610-8953-008  
Fuel Tank

690-8040-150  
Screw

691-PCB1-024  
R2LC

6-18965 Santa Fe PB-1  
6-18966 N.Y.C. PB-1



NOTE: FRONT OF UNIT

A 610-8965-156  
Front Truck PB-1  
with Sound Switch

Note: Consists of All Parts  
with Letter A & AX.



610-8301-055  
Cable Tie

A 610-8965-146  
Shaft Coupler Head

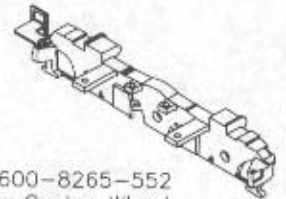


A 610-8965-656  
Coil Coupler Assy.  
with Terminal

A 610-8965-076  
Wire Harness  
Collector Front



A 610-8953-245  
Truck Side  
& Rear Step R.H.



A 690-671M-023  
Washer



A 610-1615-093  
Spring



A 600-8250-035  
Fiber Washer



A 690-671M-022  
Retaining Ring



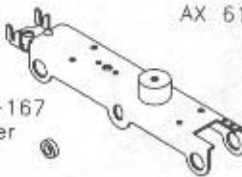
A 610-6001-051  
Truck Guide



A 818-7401-022  
Screw



AX 610-8965-036  
Truck Frame Assy.



AX 610-8811-025  
Axle



AX 600-8265-552  
Plain Center Wheel



AX 600-2343-033  
Plain Wheel with Flange



AX 610-8102-525  
Knurled Axle

AX 600-8600-167  
Thrust Washer



AX 600-8010-118  
Axle Bearing



A 640-8251-033  
Screw



A 610-8965-165  
Bracket Switch Mounting



A 610-8965-126  
Switch Assy.  
Diesel Sound

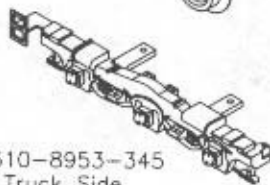
AX 610-0401-515  
Cam



AX 600-8555-035  
Washer



A 610-8953-345  
Truck Side  
& Rear Step L.H.



A 690-8040-T50  
Screw



A 610-8965-106  
Collector Bushing



A 610-8965-095  
Collector Insulator



B 600-2321-134  
Collector Arm



B 600-2321-131  
Collector Bracket



B 600-2321-136  
Collector Rivet



B 600-2321-135  
Collector Spring



A 600-2321-132  
Collector Assy.

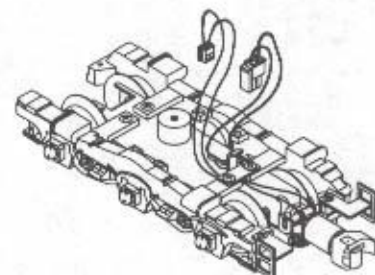
B 600-0681-015  
Collector Roller



B 600-0681-016  
Collector Pin



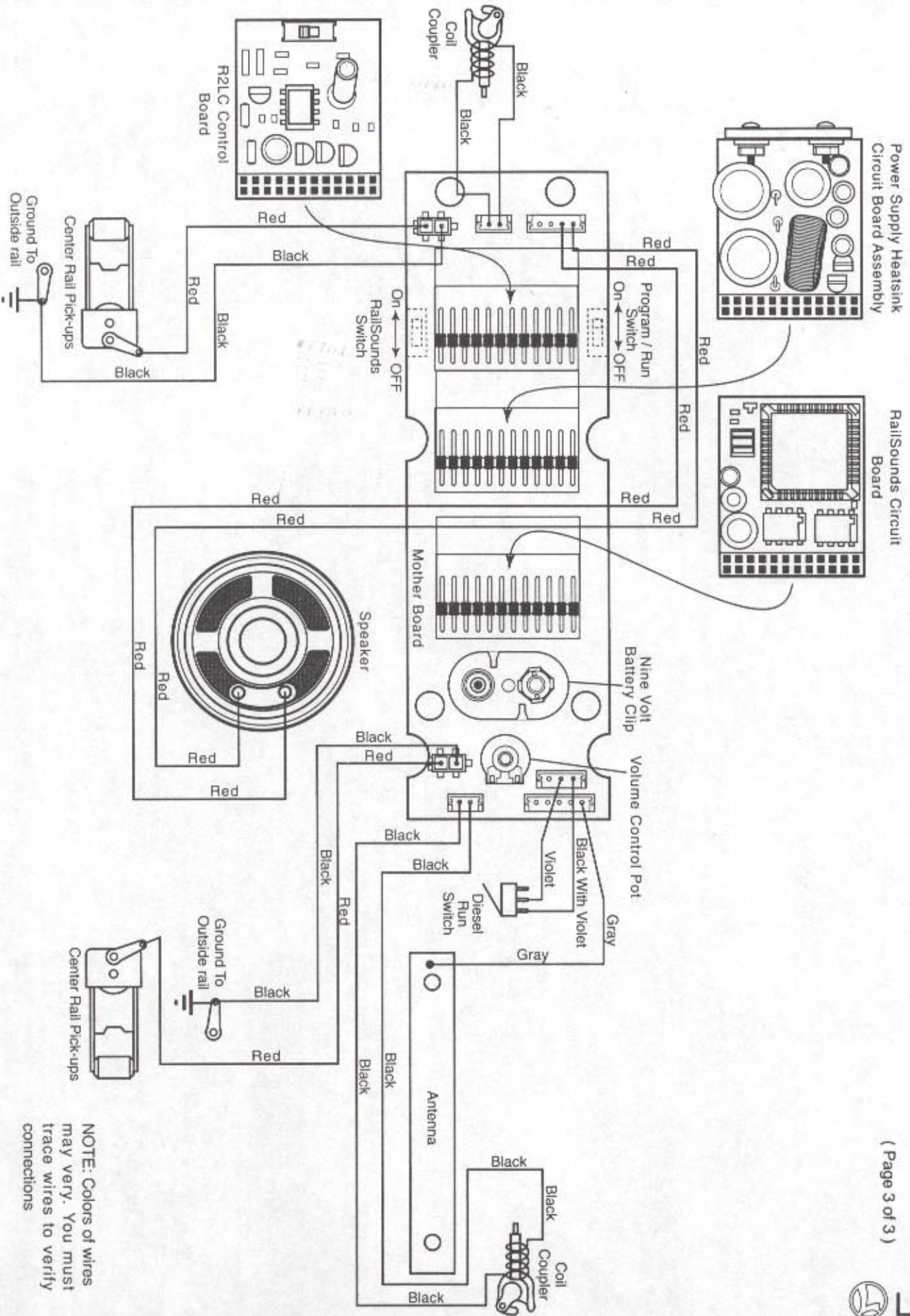
Note: Consists of All Parts  
with Letter B.



Note: Consists of All the  
Same Parts as 610-8965-156  
Front Truck PB-1 Except for  
Cam & Cam Axle & Sound Switch  
& Sound Switch Mtg. Parts.

# 6-18965 SANTA FE ALCO PB-1 & 6-18966 NEW YORK CENTRAL PB-1

## PICTORIAL WIRING DIAGRAM

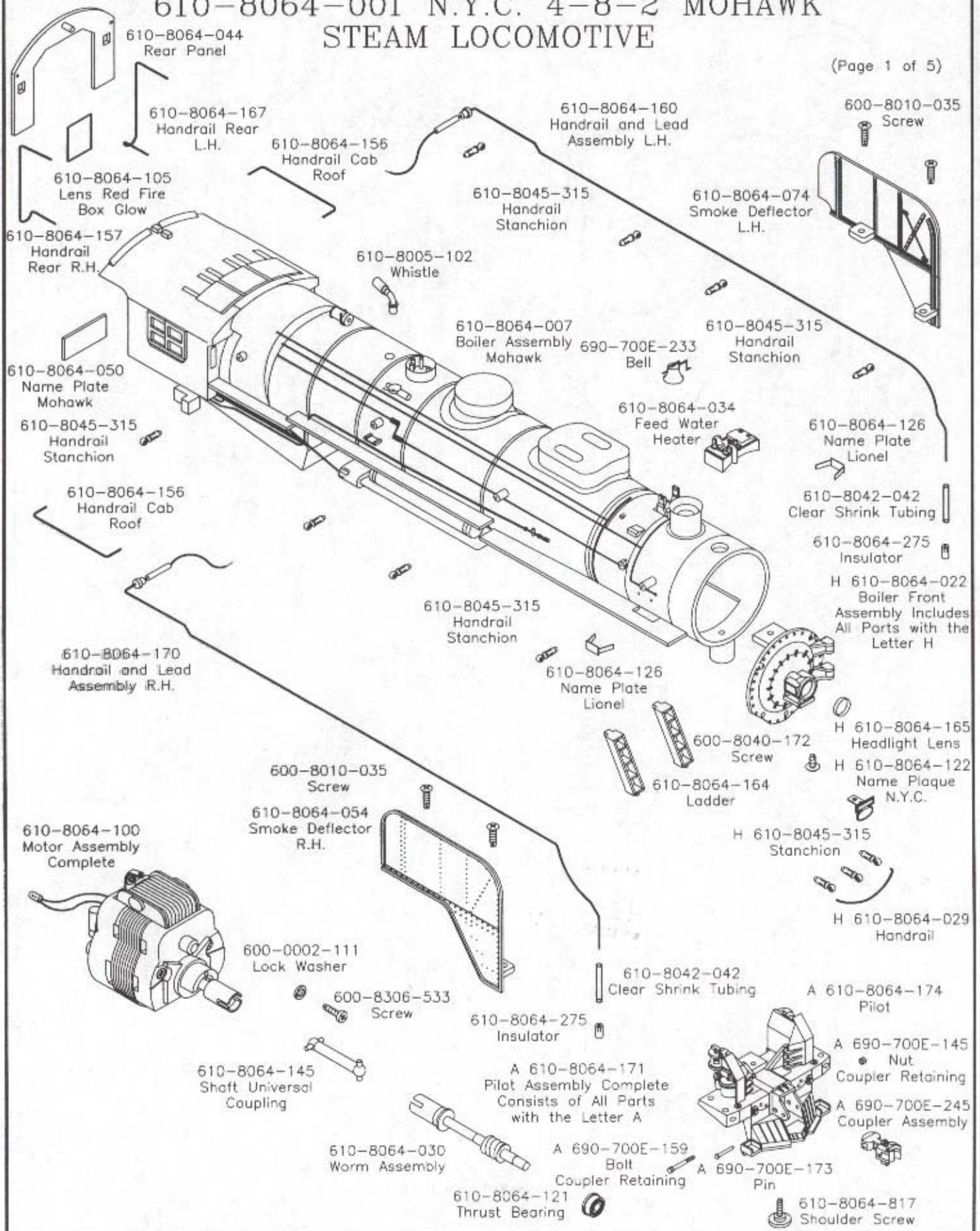


( Page 3 of 3 )



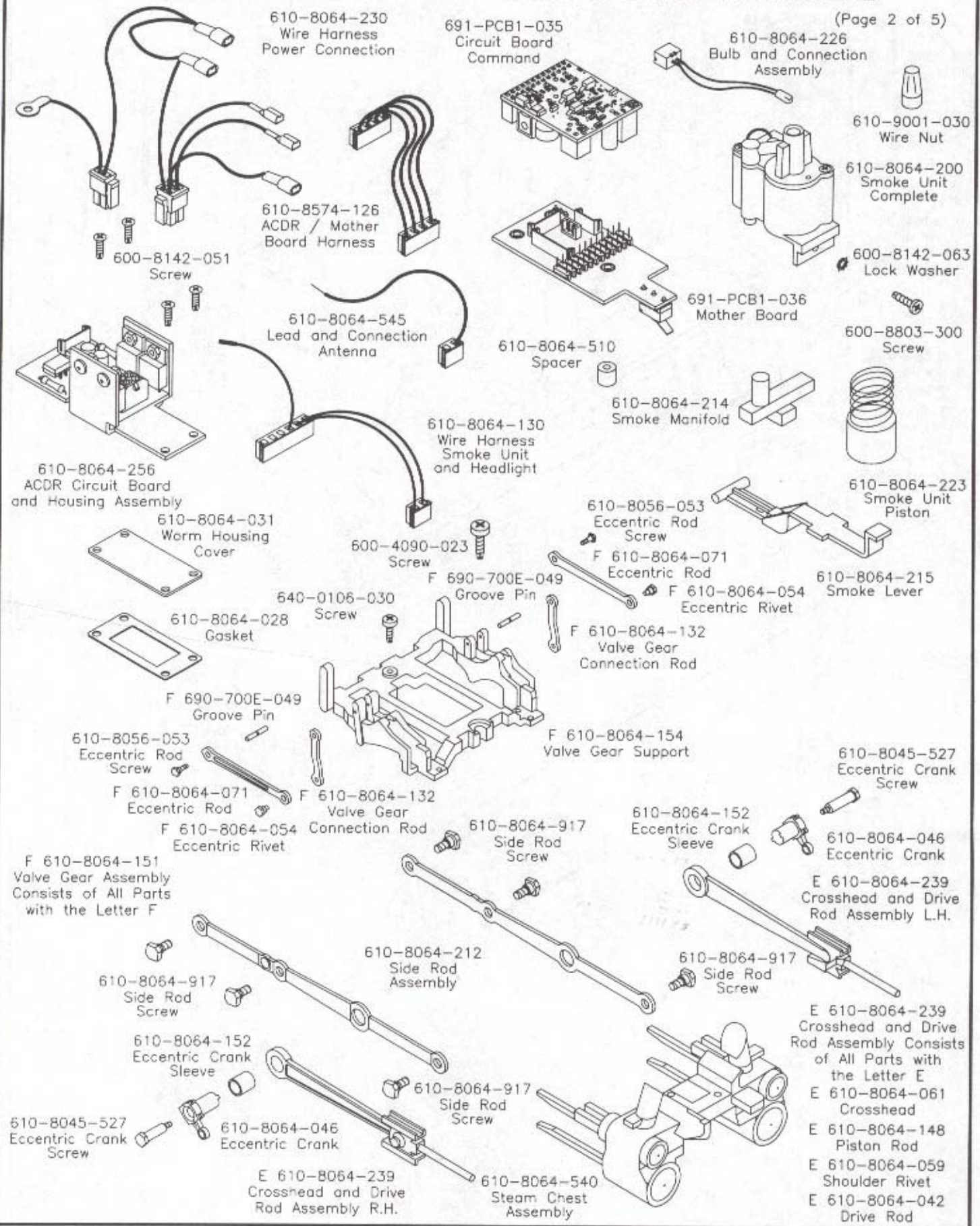
NOTE: Colors of wires may vary. You must trace wires to verify connections

# 610-8064-001 N.Y.C. 4-8-2 MOHAWK STEAM LOCOMOTIVE

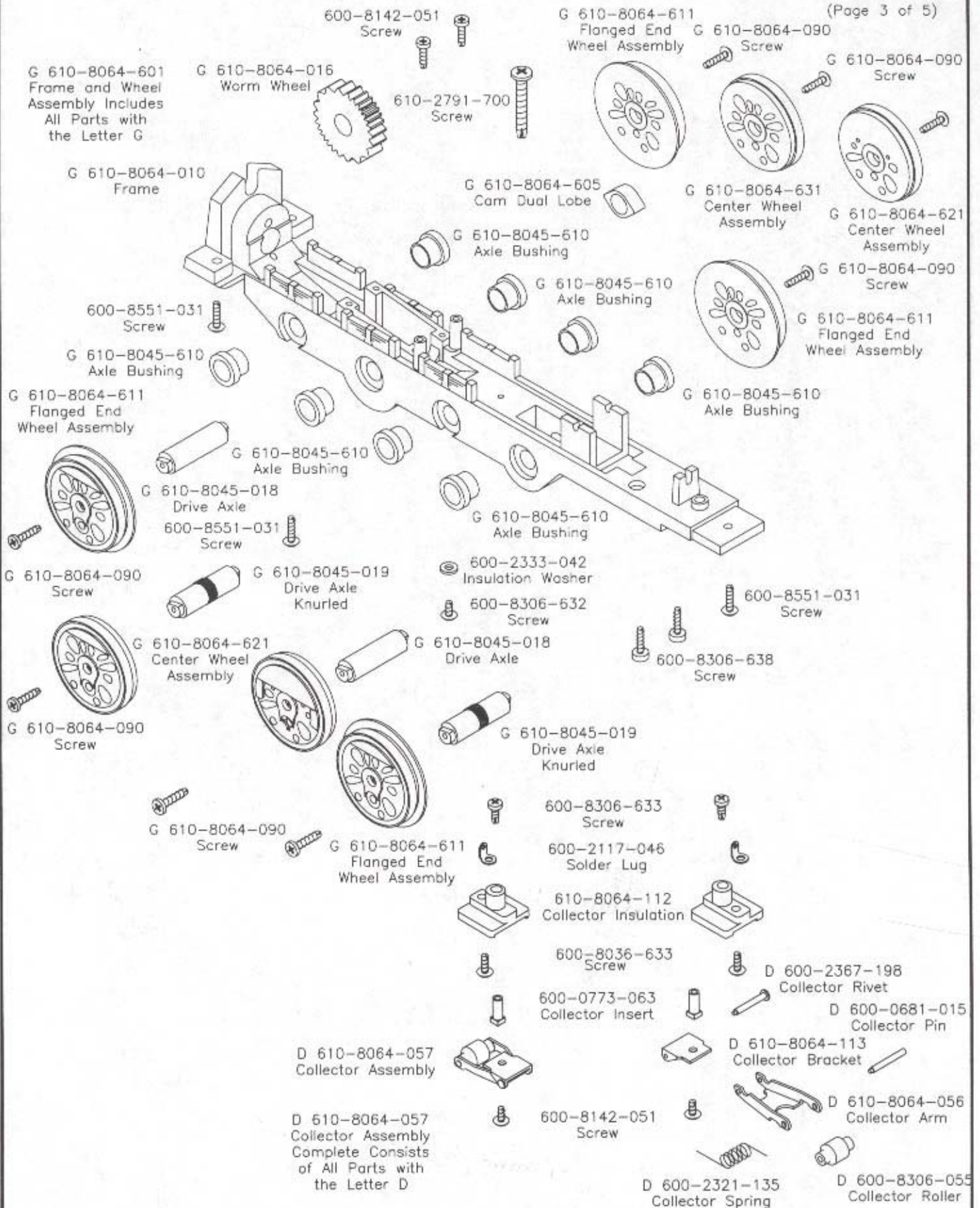


# 610-8064-001 N.Y.C. 4-8-2 MOHAWK STEAM LOCOMOTIVE

(Page 2 of 5)



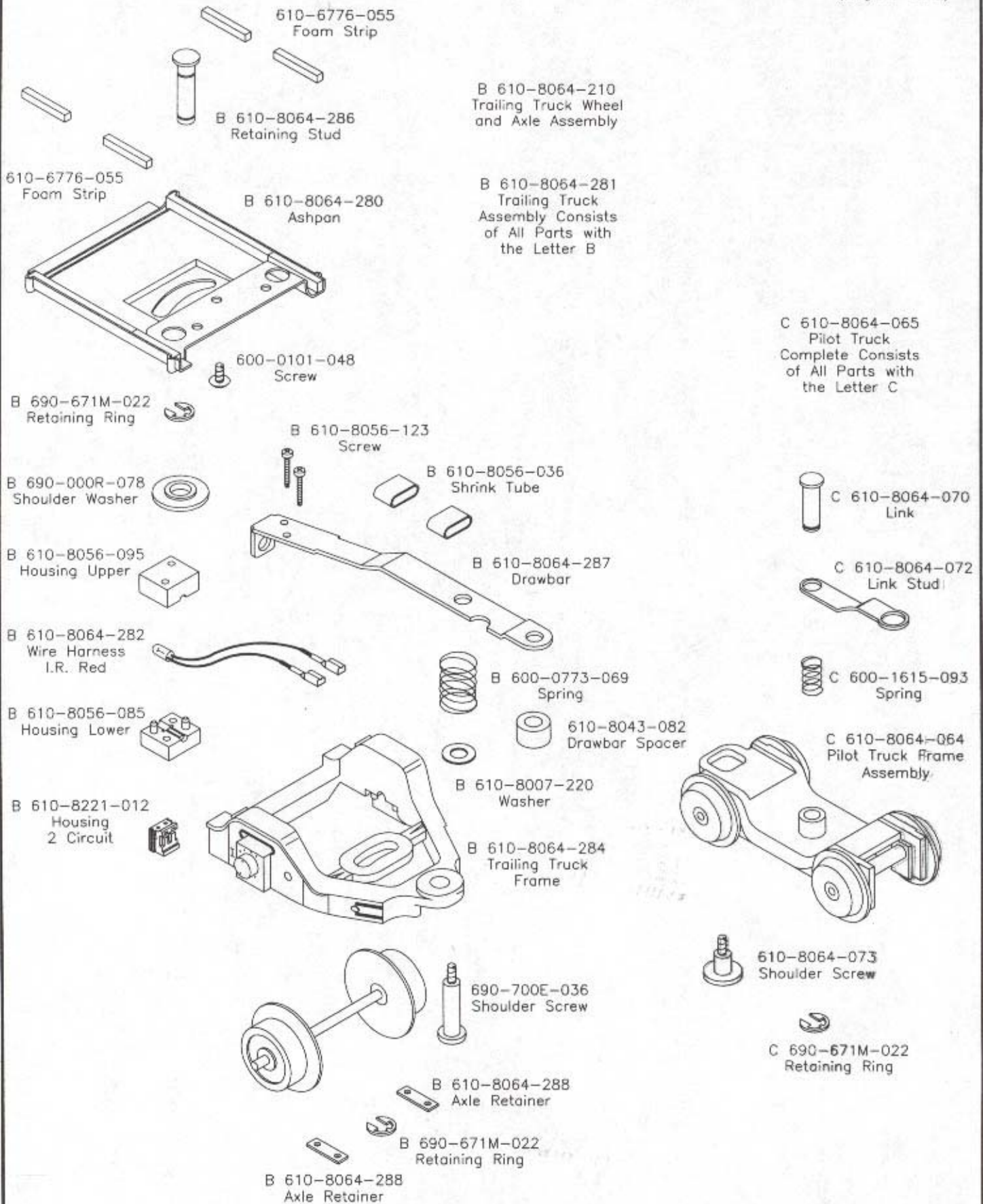
# 610-8064-001 N.Y.C. 4-8-2 MOHAWK STEAM LOCOMOTIVE





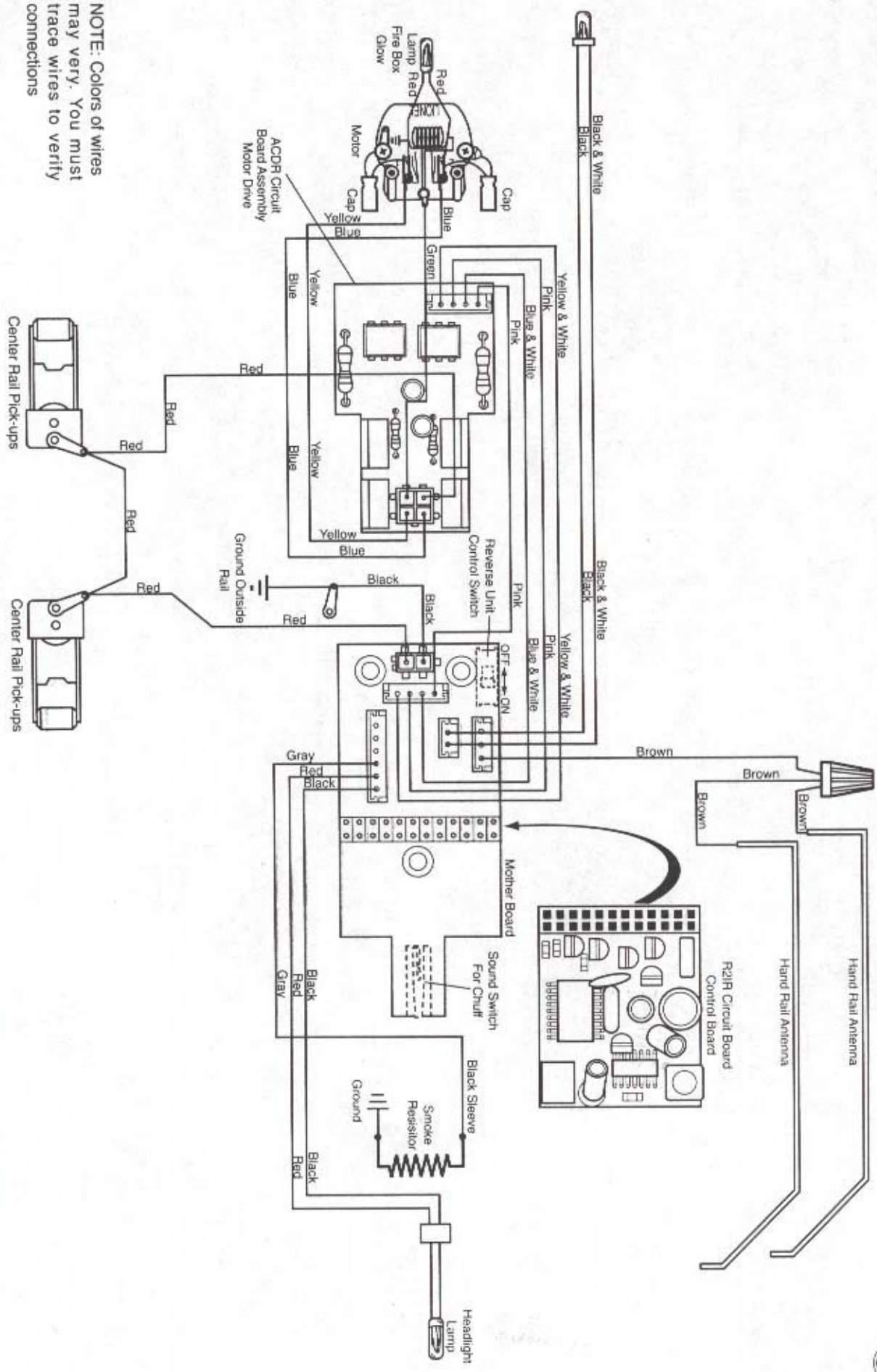
# 610-8064-001 N.Y.C. 4-8-2 MOHAWK STEAM LOCOMOTIVE

(Page 4 of 5)



# 6-18064 LIONEL NEW YORK CENTRAL 4-8-2 MOHAWK L-3A LOCOMOTIVE PICTORIAL WIRING DIAGRAM

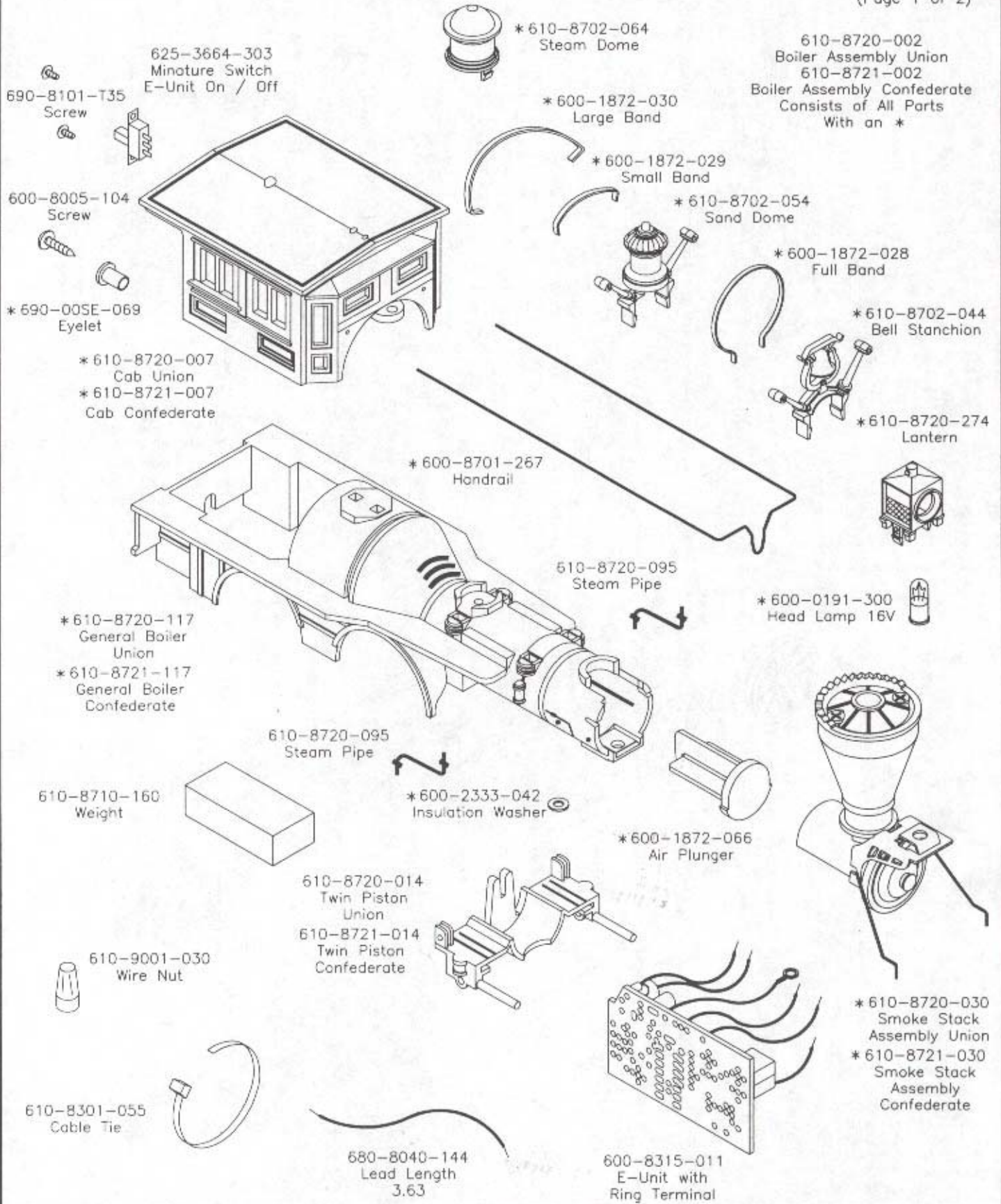
( Page 4 of 5 )



NOTE: Colors of wires may vary. You must trace wires to verify connections

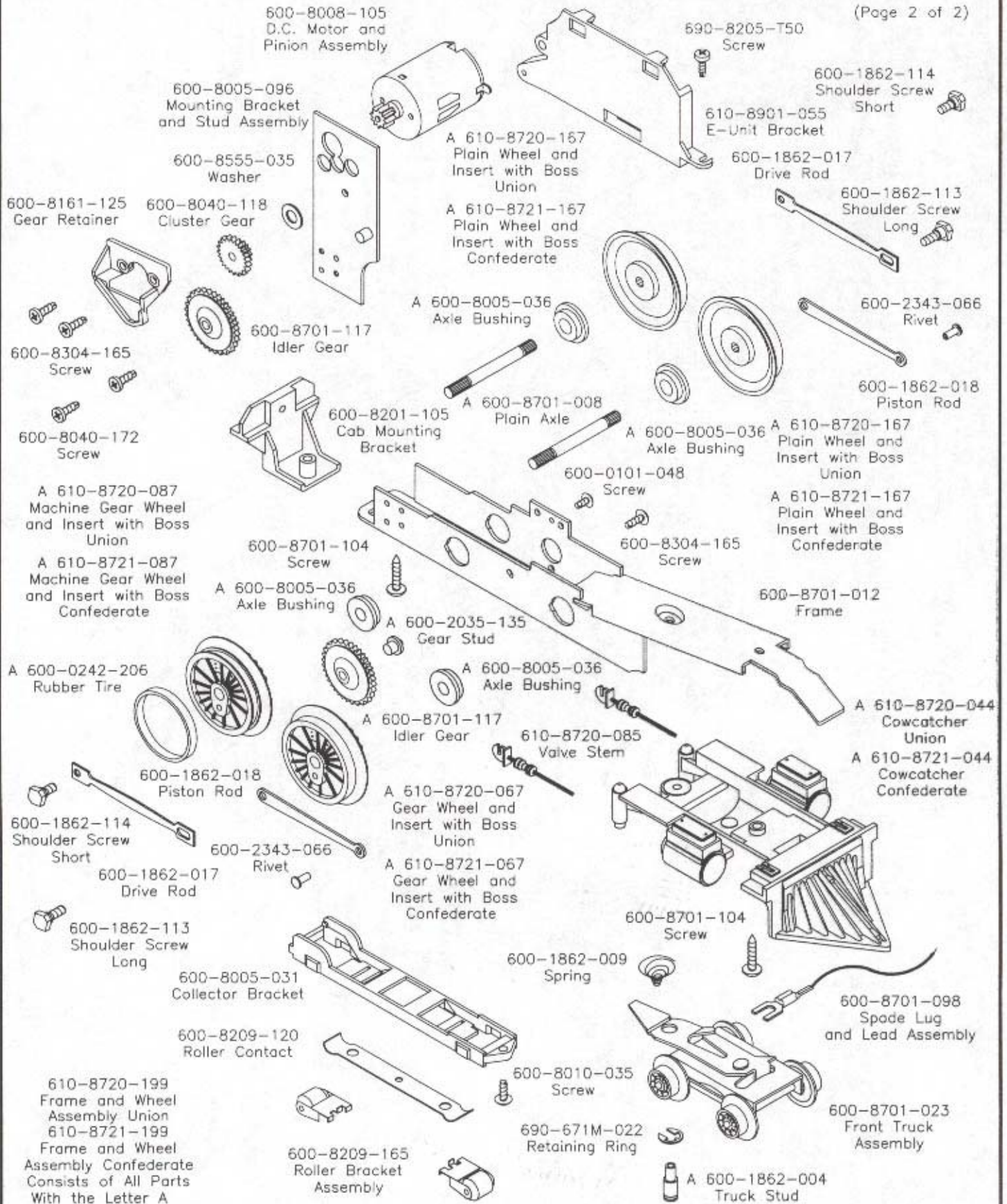
# 6-18720 GENERAL LOCOMOTIVE 4-4-0 UNION 6-18721 GENERAL LOCOMOTIVE 4-4-0 CONFEDERATE

(Page 1 of 2)



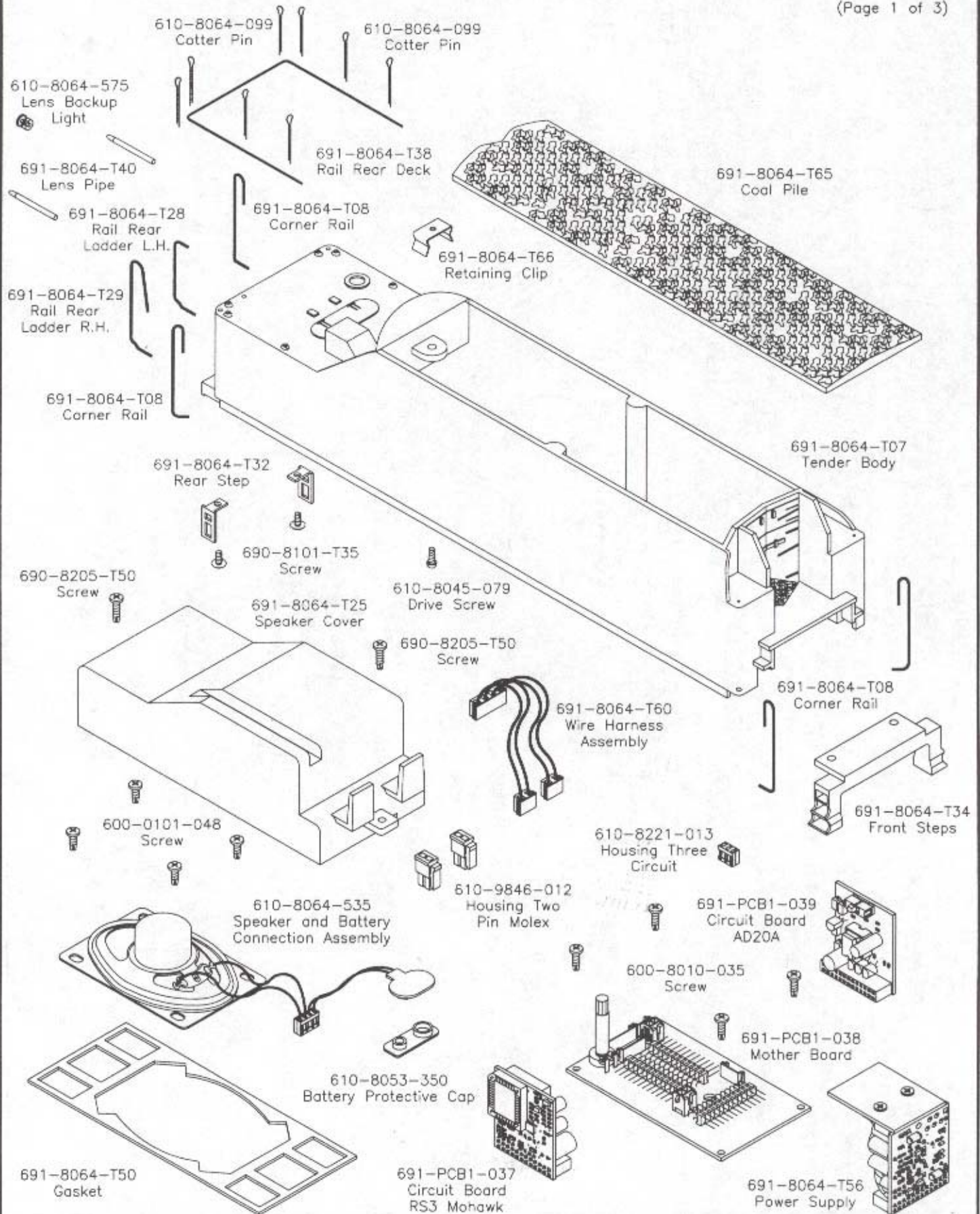
6-18720 GENERAL LOCOMOTIVE 4-4-0 UNION  
 6-18721 GENERAL LOCOMOTIVE 4-4-0 CONFEDERATE

(Page 2 of 2)



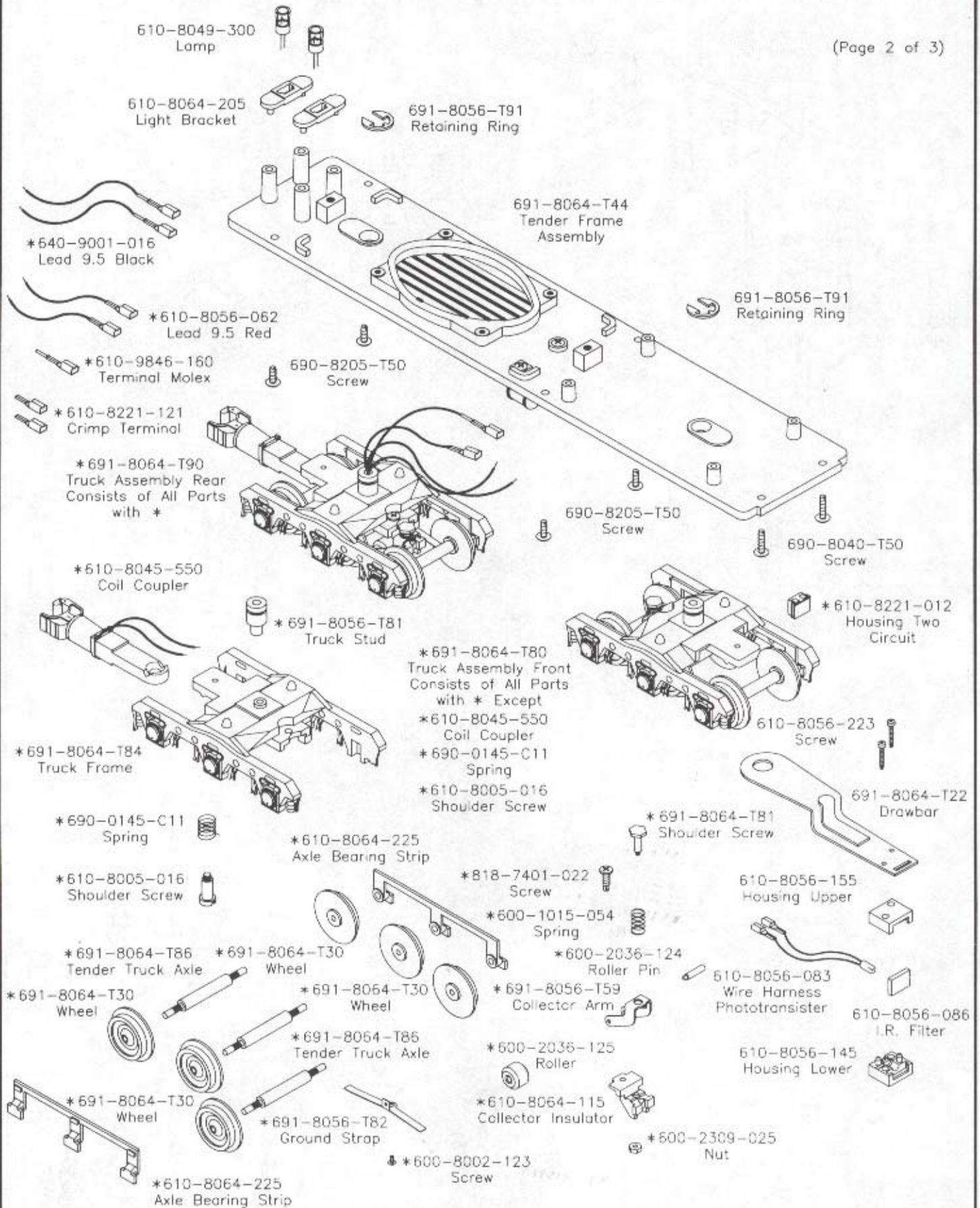
# 691-8064-T01 N.Y.C. MOHAWK TENDER

(Page 1 of 3)



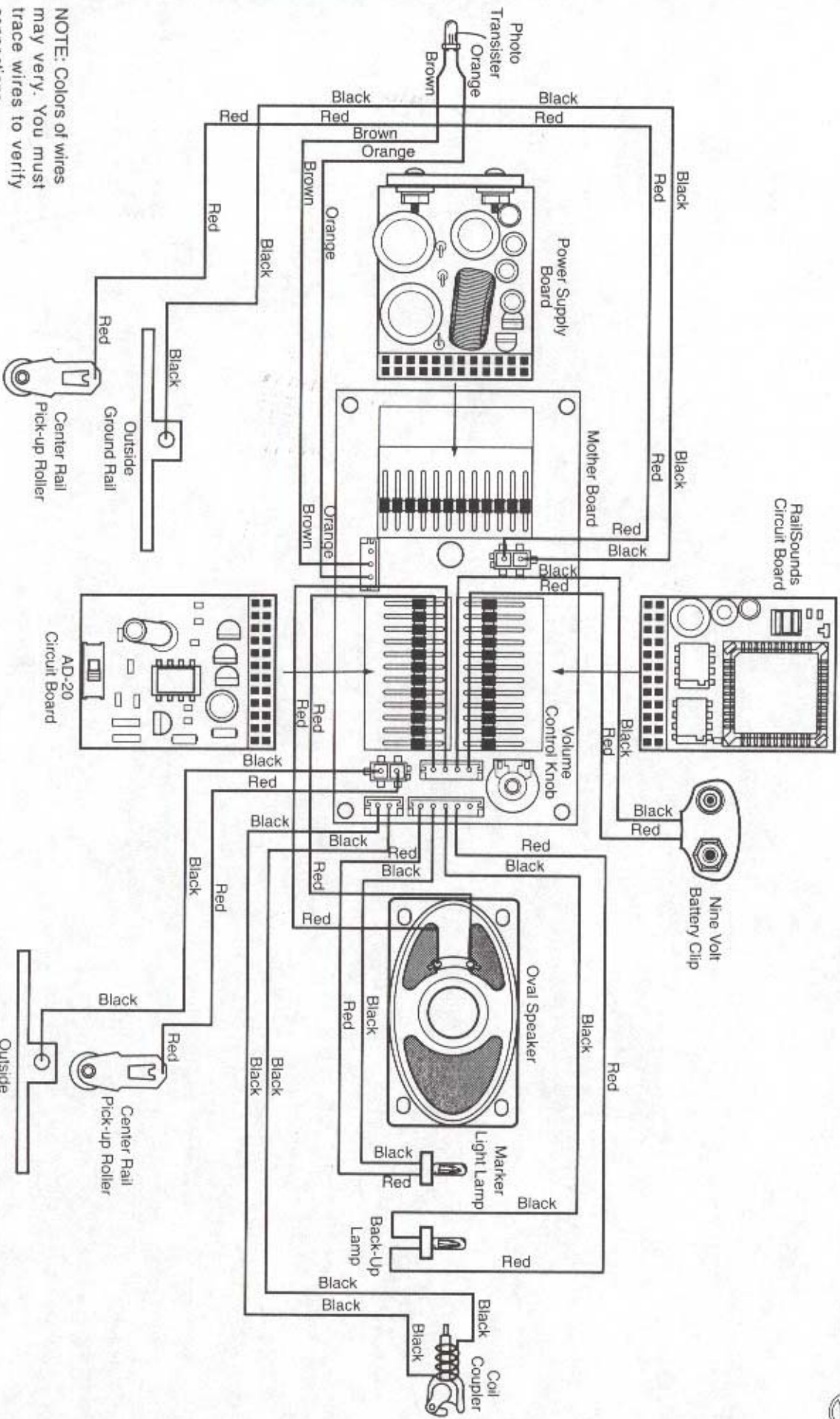
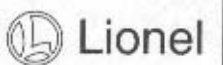
# 691-8064-T01 N.Y.C. MOHAWK TENDER

(Page 2 of 3)



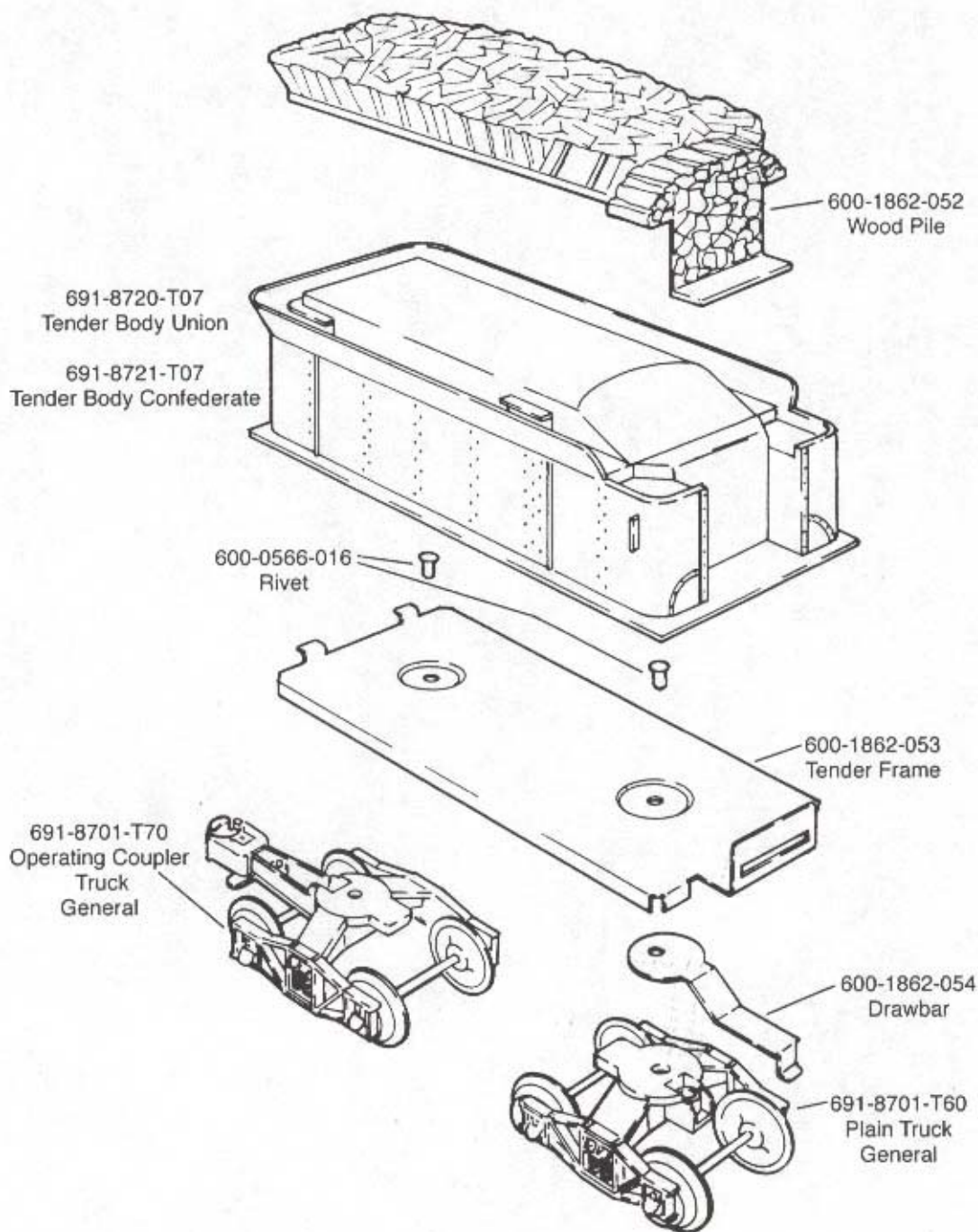
# 691-8064-T01 LIONEL NEW YORK CENTRAL 4-8-2 MOHAWK L-3A TENDER PICTORIAL WIRING DIAGRAM

( Page 3 of 3 )



NOTE: Colors of wires may vary. You must trace wires to verify connections

# 691-8720-T01 GENERAL TENDER UNION 691-8721-T01 GENERAL TENDER CONFEDERATE





# STANDARD "O" DOUBLE DOOR BOX CAR WITH AUTO FRAMES

(Page 1 of 3)

610-XXXX-OXX  
Double Door  
Box Car Body  
Standard "O"  
(Ref. 1)

610-XXXX-OXX  
Box Car  
Door B  
(Ref. 3)

610-7203-035  
Door Guide

610-XXXX-OXX  
Box Car  
Door A  
(Ref. 2)

610-7203-035  
Door Guide

610-XXXX-OXX  
Box Car  
Door A  
(Ref. 2)

610-XXXX-OXX  
Box Car  
Door B  
(Ref. 3)

818-7401-022  
Screw  
690-00SE-053  
Eyelet

610-7231-105  
Autoframe Silver  
8 Required  
(Ref. 4)

610-7232-105  
Autoframe Black  
8 Required  
(Ref. 6)

610-7231-115  
Autoframe  
4 X 4 Black  
14 Required  
(Ref. 7)

610-7231-115  
Autoframe  
4 X 4 Silver  
14 Required  
(Ref. 5)

610-6952-080  
Tie Down  
with Barb

690-8040-T50  
Screw

818-7401-022  
Screw  
690-00SE-053  
Eyelet

610-7232-046  
Double Door  
Box Car Frame  
Standard "O"

610-9950-050  
or 600-9550-050  
Die-Cast  
Sprung Truck

690-8040-T50  
Screw

**6-17231 WISCONSIN**

**PAGE 2 OF 3**

**STANDARD "O" DOUBLE DOOR BOXCAR WITH AUTO FRAMES**

PART NUMBER											DESCRIPTION	QTY	REF #	
6	1	0	-	7	2	3	1	-	0	0	7	Box Car Body (Wisconsin)	1	1
6	1	0	-	7	2	3	1	-	0	1	4	Box Car Door A (Wisconsin)	2	2
6	1	0	-	7	2	3	1	-	0	2	7	Box Car Door B (Wisconsin)	2	3
6	1	0	-	7	2	3	1	-	1	0	5	Autoframe (Silver)	8	4
6	1	0	-	7	2	3	2	-	1	1	5	Autoframe (4 x 4) (Silver)	14	5

**6-17232 UNION PACIFIC/SOUTHERN PACIFIC MERGER**

**STANDARD "O" DOUBLE DOOR BOXCAR WITH AUTO FRAMES**

PART NUMBER											DESCRIPTION	QTY	REF #	
6	1	0	-	7	2	3	2	-	0	0	7	Box Car Body U.P./S.P. Merger	1	1
6	1	0	-	7	2	3	2	-	0	1	4	Box Car Door (A) U.P./S.P. Merg	2	2
6	1	0	-	7	2	3	2	-	0	2	7	Box Car Door (B) U.P./S.P. Merg	2	3
6	1	0	-	7	2	3	2	-	1	0	5	Auto Frame (Black)	8	6
6	1	0	-	7	2	3	1	-	1	1	5	Auto Frame (4 x 4) (Black)	14	7

**S 43: 5-2  
( F-170-2 )**

6-17255 CHEVY TRUCKS  
PAGE 3 OF 3

STANDARD "O" DOUBLE DOOR BOX CAR WITH AUTO FRAMES

PART NUMBER											DESCRIPTION	QTY	REF #	
6	1	0	-	7	2	5	5	-	0	0	7	Box Car Body (Chevy Trucks)	1	1
6	1	0	-	7	2	5	5	-	0	1	4	Box Car Door A Chevy	2	2
6	1	0	-	7	2	5	5	-	0	2	7	Box Car Door B Chevy	2	3
6	1	0	-	7	2	3	2	-	1	0	5	Auto Frame (Black)	8	6
6	1	0	-	7	2	3	1	-	1	1	5	Auto Frame (4 x 4) (Black)	14	7

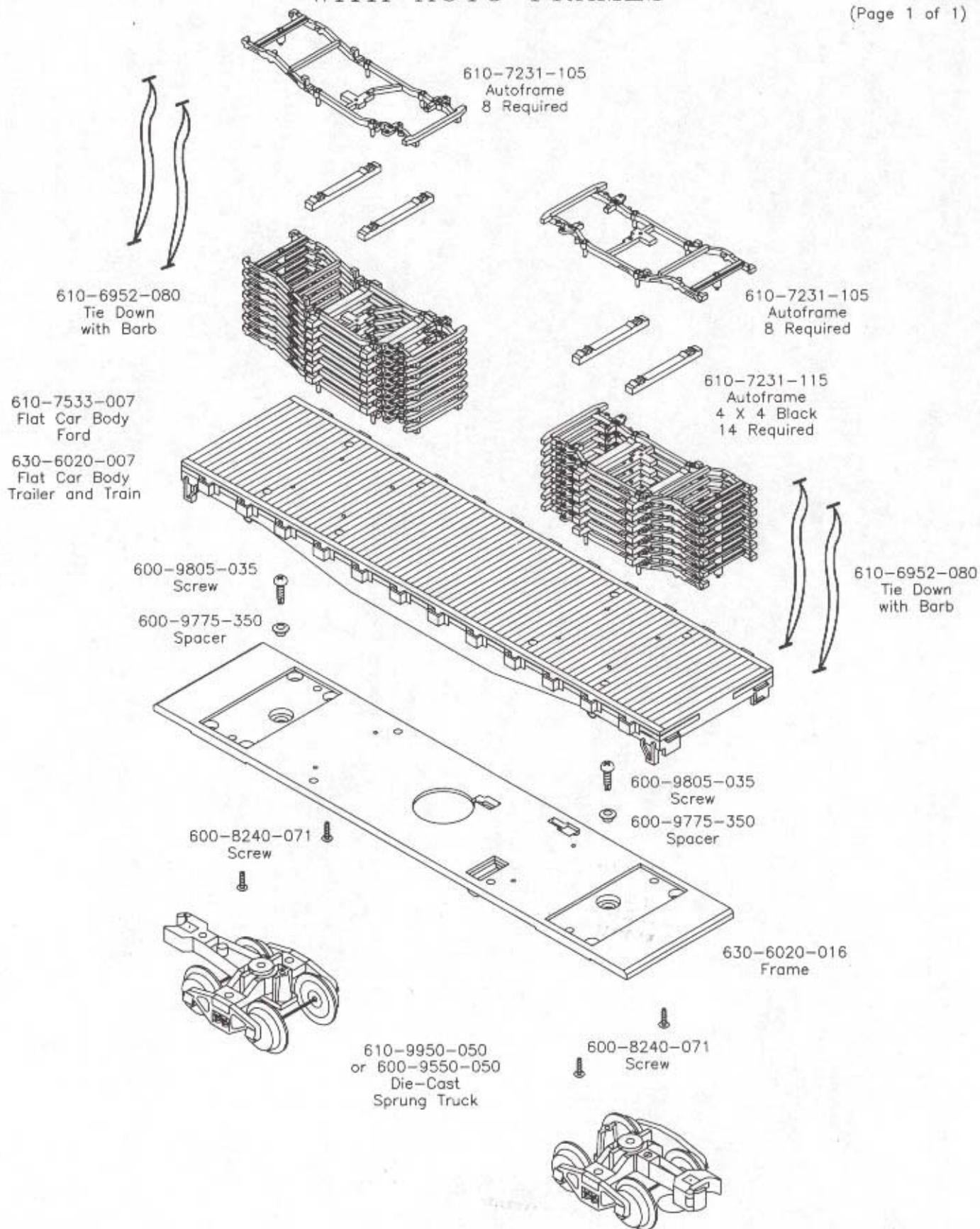
NOTES:

PART NUMBER											DESCRIPTION	QTY	REF #	

S 43: 5-3  
( F-170-3 )

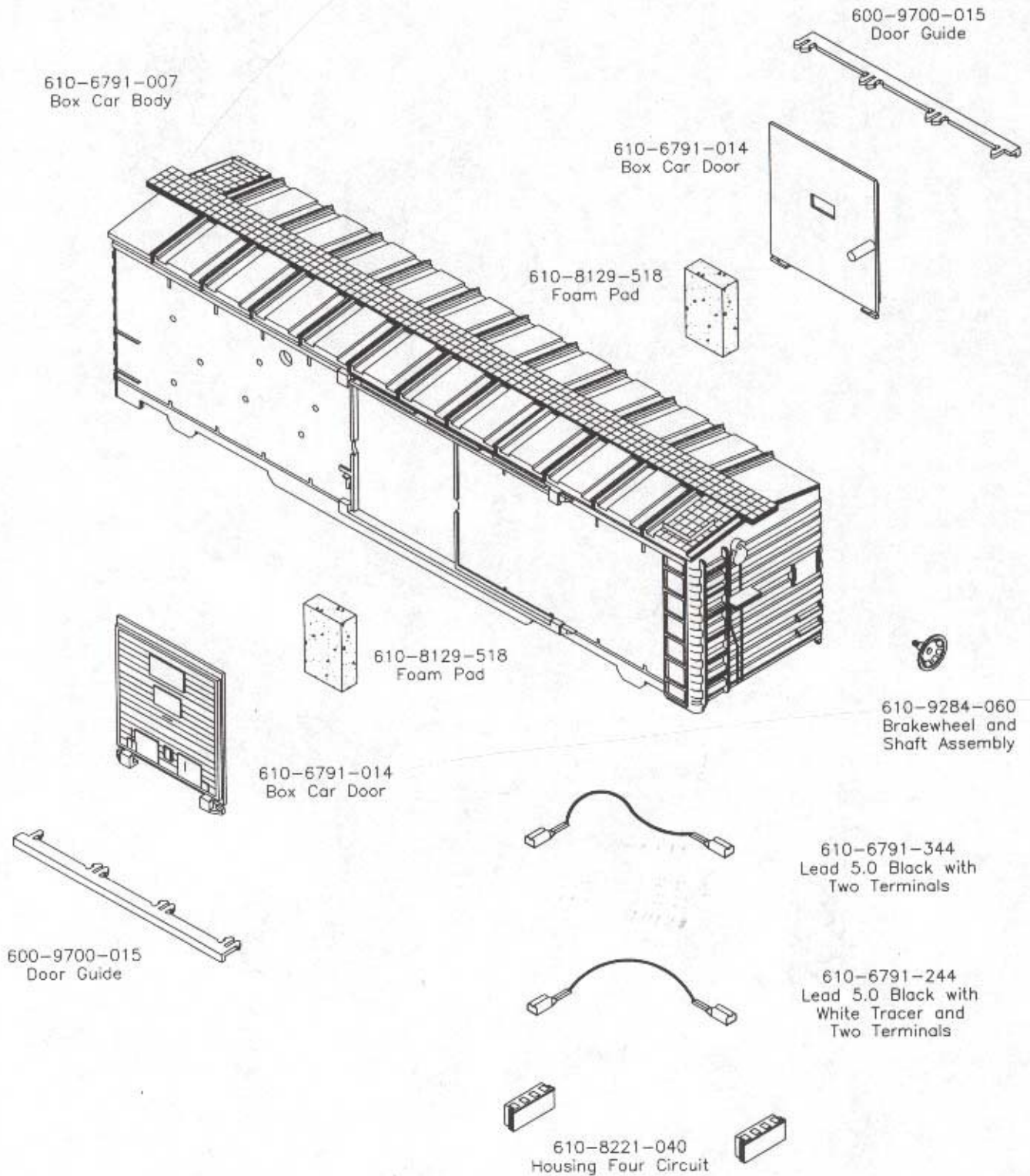
# STANDARD "O" FLAT CAR WITH AUTO FRAMES

(Page 1 of 1)



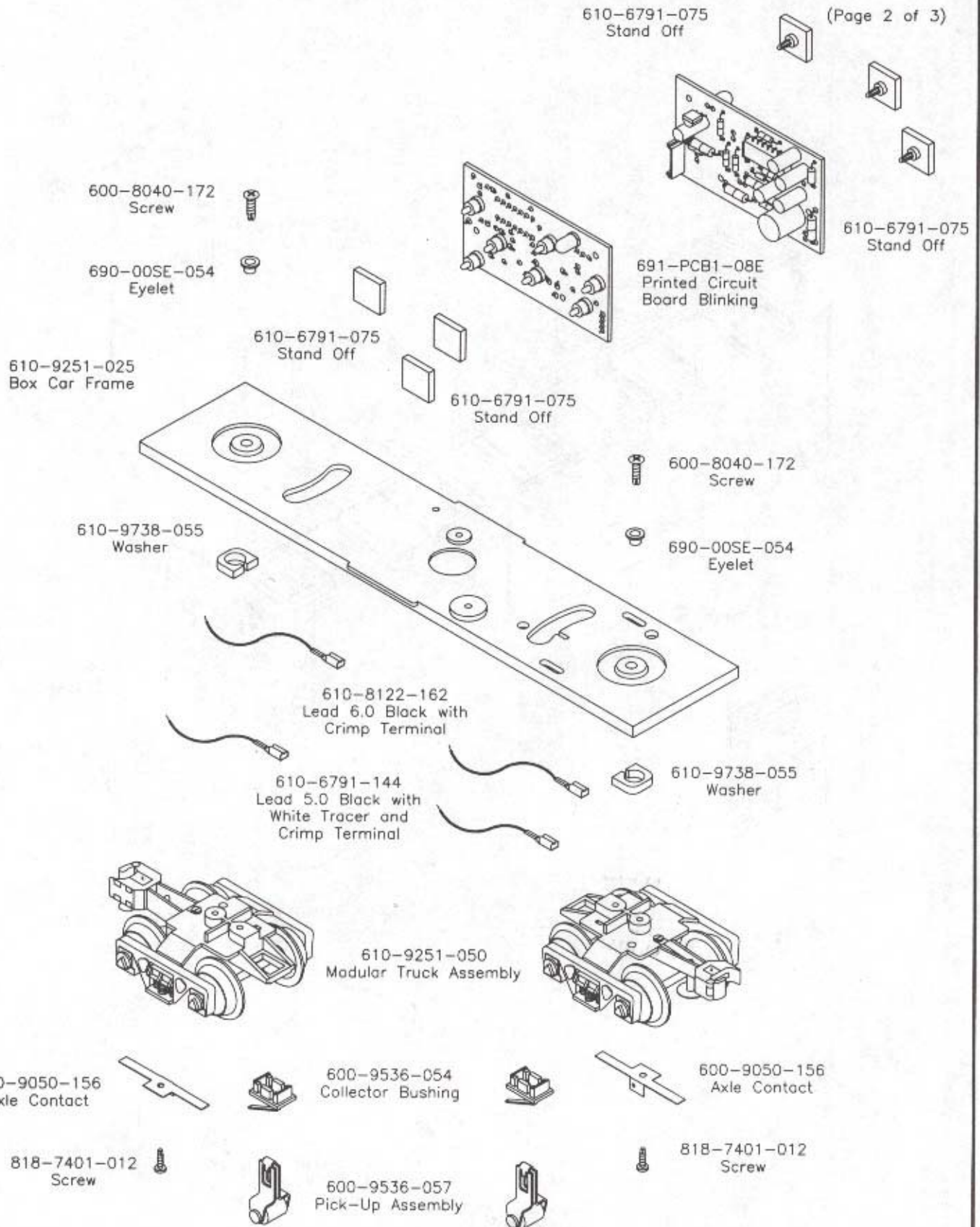
# 6-16791 NEW YORK CITY LIGHTS BOX CAR

(Page 1 of 3)



# 6-16791 NEW YORK CITY LIGHTS BOX CAR

(Page 2 of 3)



# 6-16791 NEW YORK CITY LIGHTS BOXCAR PICTORIAL WIRING DIAGRAM

( Page 3 of 3 )



NOTE: Colors of wires may vary. You must trace wires to verify connections

