



LIONEL

\$10.00
#610-0044-001
Issued 5-2000

PARTS LIST AND EXPLODED DIAGRAMS SUPPLEMENT 44

Produced by Lionel®
50625 Richard W. Boulevard
Chesterfield, MI 48051-2493

CONTENTS

O and O27 Gauges

Diesel Engines & Motorized Units

SD-60 & 70 Mac
18238, 6-18260 CR
6-18241, 6-18261 BN
6-18250, 6-18262 BNSF
6-18251, 6-18263 CSX
6-18264, 6-18265 S.P.
6-18280 Maersk
FT A-A
6-18154, 6-18157 S.F.
6-18160, 6-18163 N.Y.C.
6-18166, 6-18169 B & O
Rotary Snowplow
6-18446 G.N.
Executive Inspection Car
6-18447 68 Red
6-18454 68 Blue

Diesel Non-Powered Units

FT B-Units
6-38114 S.F.
6-38115 N.Y.C.
6-38116 B & O

Steam Locomotives

8000 Series No 1 4-6-4 Hudson
6-18082, 6-28007 N.Y.C
6-18083, 6-28008 C & O
6-18084, 6-28009 S.F.
6-18093, 6-28000 C & NW

Tenders

6SP-8000T Series No. 1 Hudson Tender

Operating Cars

6-16790 U.P. Stock Car with Sounds

Passenger Cars

General Style

6-15126 A.L. 6-5127 U.S.G.
6-15128 J.D. 6-15129 R.E.L.

Accessories

Culvert Loader
6-12982 Conventional/Traditional
6-22965 Command Control
Dispatching Station
6-22999 Lionelville
Coal Elevator
6-32921 No. 97
Animated Maiden Rescue
6-32919

Copyright© 2000
By Lionel
All Rights Reserved

Lionel® and American Flyer® are the registered trademarks of Lionel, Chesterfield Michigan

This supplement is designed to fit with two different publications, the *Lionel Service Manual* 1986 to 2000 and *Lionel Parts List and Exploded Diagrams*.

Each page has two numbers. The number for the *Lionel Service Manual* is indicated by parentheses, e.g., (B-90). The number which applies to *Lionel Parts Lists and Exploded Diagrams* is above the parentheses, e.g., S44: 1-1.

INDEX TO LIONEL PARTS LISTS AND EXPLODED DIAGRAMS SUPPLEMENT 44

ALPHABETICAL INDEX

O AND 027 GAUGES DIESEL ENGINES & MOTORIZED UNITS

POWER UNITS

Executive Inspection Car S44: 1-18

6-18454 68 Blue

6-18447 68 Red

FT A-A Units S44: 1-8,9,10,11,12,13,14,15

6-18166 B & O

6-18169 B & O

6-18160 N.Y.C.

6-18163 N.Y.C.

6-18154 S.F.

6-18157 S.F.

Rotary Snowplow S44: 1-16,17

6-18446 G.N.

SD-60 & 70 Mac S44: 1-1,2,3,4,5,6,7

6-18241 B.N.

6-18261 B.N.

6-18250 B.N.S.F.

6-18262 B.N.S.F.

6-18238 C.R.

6-18260 C.R.

6-18251 CSX

6-18263 CSX

6-18264 SP

6-18265 SP

6-18280 Maersk

Non Powered Units

FT A-Units S44:2-1,2,3

FT B Units S44: 2-4

6-38116 B & O

6-38115 N.Y.C.

6-38114 S.F.

STEAM LOCOMOTIVES

8000 Series (1) Early Style Hudson

S44: 3-1,2,3,4,5

6-18083 C & O

6-28008 C & O

6-18093 C & N.W.

6-28000 C & N.W.

6-18082 N.Y.C.

6-28007 N.Y.C.

6-18084 S.F.

6-28009 S.F.

TENDERS

6SP-8000T Series No. 1 S44: 4-1,2

Hudson Tender

OPERATING CARS

Stock Car with Sounds S44: 11-1,2

6-16790 Union Pacific

PASSENGER CARS

General Style S44: 12-1

6-15126 Abraham Lincoln

6-15127 Ulysses S. Grant

6-15128 Jefferson Davis

6-15129 Robert E. Lee

Accessories

Coal Elevator S44: 14-8,9,10

6-32921 No. 97

Culvert Loader S44: 14-1,2,3,4

6-12982 Conventional/Traditional

6-22965 Command Control

Dispatching Station S44: 14-5,6,7

6-22999 Lionelville

Maiden Rescue S44: 14-11,12

6-32919

NUMERICAL LISTINGS SUPPLEMENT 44

601-2982-000	S44: 14-1,2,3,4
601-5126-000	S44: 12-1
601-5127-000	S44: 12-1
601-5128-000	S44: 12-1
601-5129-000	S44: 12-1
601-6790-000	S44: 11-1,2
601-8082-000	S44: 3-1,2,3,4,5
601-8083-000	S44: 3-1,2,3,4,5
601-8084-000	S44: 3-1,2,3,4,5
601-8093-000	S44: 3-1,2,3,4,5
601-8154-000	S44: 1-8,9,10,11,12,13,14,15
601-8157-000	S44: 1-8,9,10,11,12,13,14,15
601-8160-000	S44: 1-8,9,10,11,12,13,14,15
601-8163-000	S44: 1-8,9,10,11,12,13,14,15
601-8166-000	S44: 1-8,9,10,11,12,13,14,15
601-8169-000	S44: 1-8,9,10,11,12,13,14,15
601-8238-000	S44: 1-1,2,3,4,5,6,7
601-8241-000	S44: 1-1,2,3,4,5,6,7
601-8250-000	S44: 1-1,2,3,4,5,6,7
601-8251-000	S44: 1-1,2,3,4,5,6,7
601-8260-000	S44: 1-1,2,3,4,5,6,7
601-8261-000	S44: 1-1,2,3,4,5,6,7
601-8262-000	S44: 1-1,2,3,4,5,6,7
601-8263-000	S44: 1-1,2,3,4,5,6,7
601-8264-000	S44: 1-1,2,3,4,5,6,7
601-8265-000	S44: 1-1,2,3,4,5,6,7
601-8280-000	S44: 1-1,2,3,4,5,6,7
601-8446-000	S44: 1-16,17
601-8447-000	S44: 1-18
601-8454-000	S44: 1-18
602-2965-000	S44: 14-1,2,3,4
602-2999-000	S44: 14-5,6,7
602-8000-000	S44: 3-1,2,3,4,5
602-8007-000	S44: 3-1,2,3,4,5
602-8008-000	S44: 3-1,2,3,4,5
602-8009-000	S44: 3-1,2,3,4,5
603-2919-000	S44: 14-11,12
603-2921-000	S44: 14-8,9,10
603-8114-000	S44: 2-4,5
603-8115-000	S44: 2-4,5
603-8116-000	S44: 2-4,5
6SP-8000-T01	S44: 4-1,2

LIONEL SERVICE MANUAL

INDEX BY LETTER SUPPLEMENT 44

Description

Drawing

Diesel Locomotives Powered Units

Motorized Units

SD-60 & 70 Mac(B-90-2,3,4,5,6,7)
 6-18238 CR
 6-18241 B.N.
 6-18250 BNSF
 6-18251 CSX
 6-18260 CR
 6-18261 BN
 6-18262 BNSF
 6-18263 CSX
 6-18264 S.P.
 6-18265 S.P.
 6-18280 Maersk

FT A-A.....(B-91-2,3,4,5,6,7,8)

6-18154 S.F.
 6-18157 S.F.
 6-18160 N.Y.C.
 6-18163 N.Y.C.
 6-18166 B & O
 6-18169 B & O

Rotary Snowplow.....(B-92,2)

6-18446 G.N.

Executive Inspection Car.....(B-93)

6-18447 68 Red
 6-18454 68 Blue

Diesel Non-Powered Units

FT A Units.....(C-76,2,3)

FT B Units.....(C-77,2)

6-38114 S.F.
 6-38115 N.Y.C.
 6-38116 B & O

Steam Locomotives

8000 Series No. 1 4-6-4 Hudson.....(A-77,2,3,4,5)

6-18082 N.Y.C.
 6-18083 C & O
 6-18084 S.F.
 6-18093 C & N.W.
 6-28000 C & N.W.
 6-28007 N.Y.C.
 6-28008 C & O
 6-28009 S.F.

Cont.

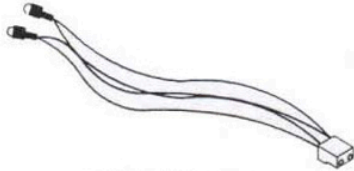
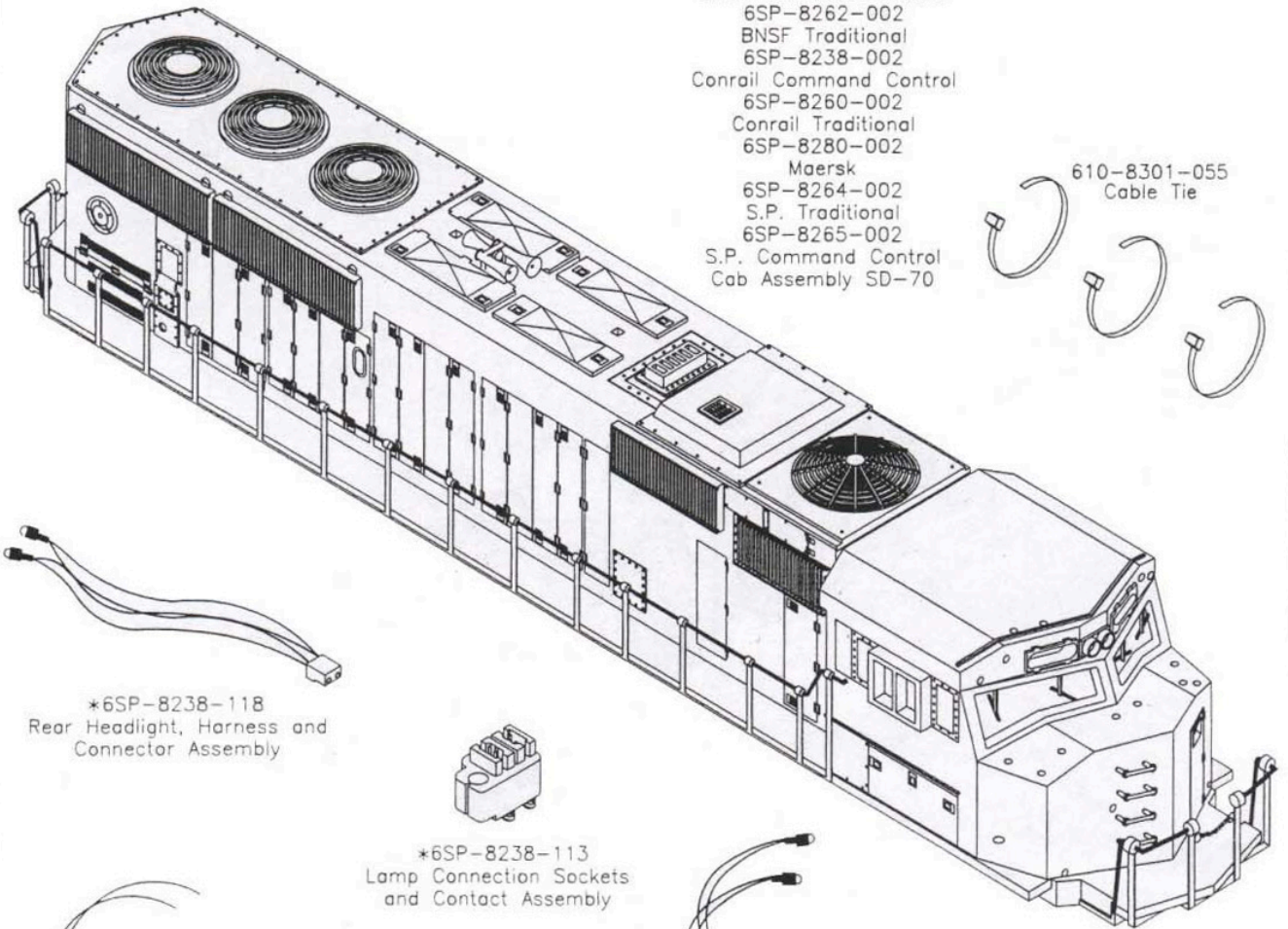
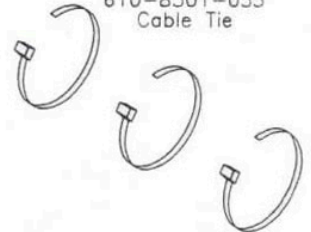
Tenders	
6SP-8000T Series No. 1 Hudson.....	(C-78,2)
Operating Cars	
Stock Cars with Sounds.....	(F-173,2)
6-16790 Union Pacific	
Passenger Cars	
General Style.....	(F-174)
6-15126 Abraham Lincoln	
6-15127 Ulysses S. Grant	
6-15128 Jefferson Davis	
6-15129 Robert E. Lee	
Accessories	
Culvert Loader.....	(I-69,2,3,4)
6-12982 Conventional/Traditional	
6-22965 Command Control	
Dispatching Station.....	(I-70,2,3)
6-22999 Lionelville	
Coal Elevator.....	(I-71,2,3)
6-32921 No. 97	
Animated Maiden Rescue.....	(I-72,2)
6-32919	

SD-60 and 70 MAC Diesel Locomotives Command and Conventional Control

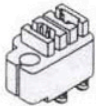
(Page 1 of 7)

- 6SP-8250-002
BNSF Command Control
- 6SP-8262-002
BNSF Traditional
- 6SP-8238-002
Conrail Command Control
- 6SP-8260-002
Conrail Traditional
- 6SP-8280-002
Maersk
- 6SP-8264-002
S.P. Traditional
- 6SP-8265-002
S.P. Command Control
- Cab Assembly SD-70

610-8301-055
Cable Tie



*6SP-8238-118
Rear Headlight, Harness and
Connector Assembly



*6SP-8238-113
Lamp Connection Sockets
and Contact Assembly



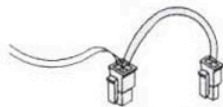
6SP-8238-120
Nine Volt Battery
Connection Lead and
Terminals



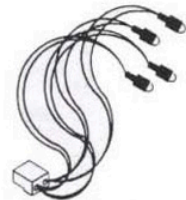
*6SP-8238-119
Lamp and Lead



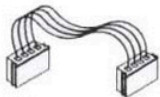
610-9001-030
Wire Nut



6SP-8238-126
Power Connection Harness



*6SP-8238-122
Front Headlight, Ditchlight
Harness and Connector Assembly



6SP-8238-123
DCDR/Motherboard
Harness Assembly



680-8141-063
Shrink Tubing
by the Foot



6SP-8238-125
Power Pickup Connector

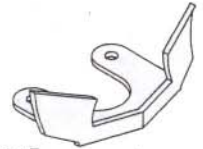
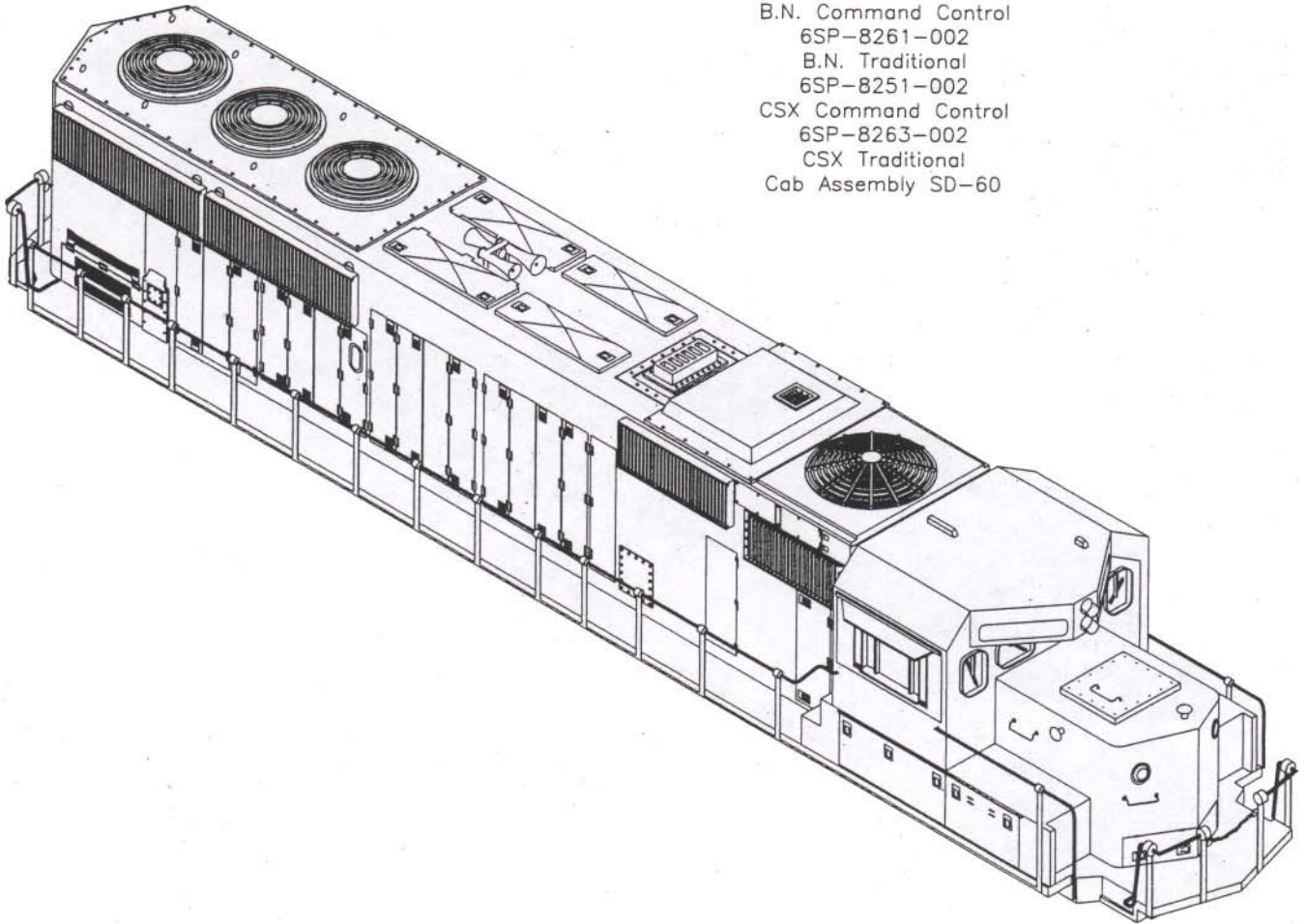


6SP-8238-124
Power Pickup Connector

SD-60 and 70 MAC Diesel Locomotives Command and Conventional Control

(Page 2 of 7)

6SP-8241-002
B.N. Command Control
6SP-8261-002
B.N. Traditional
6SP-8251-002
CSX Command Control
6SP-8263-002
CSX Traditional
Cab Assembly SD-60

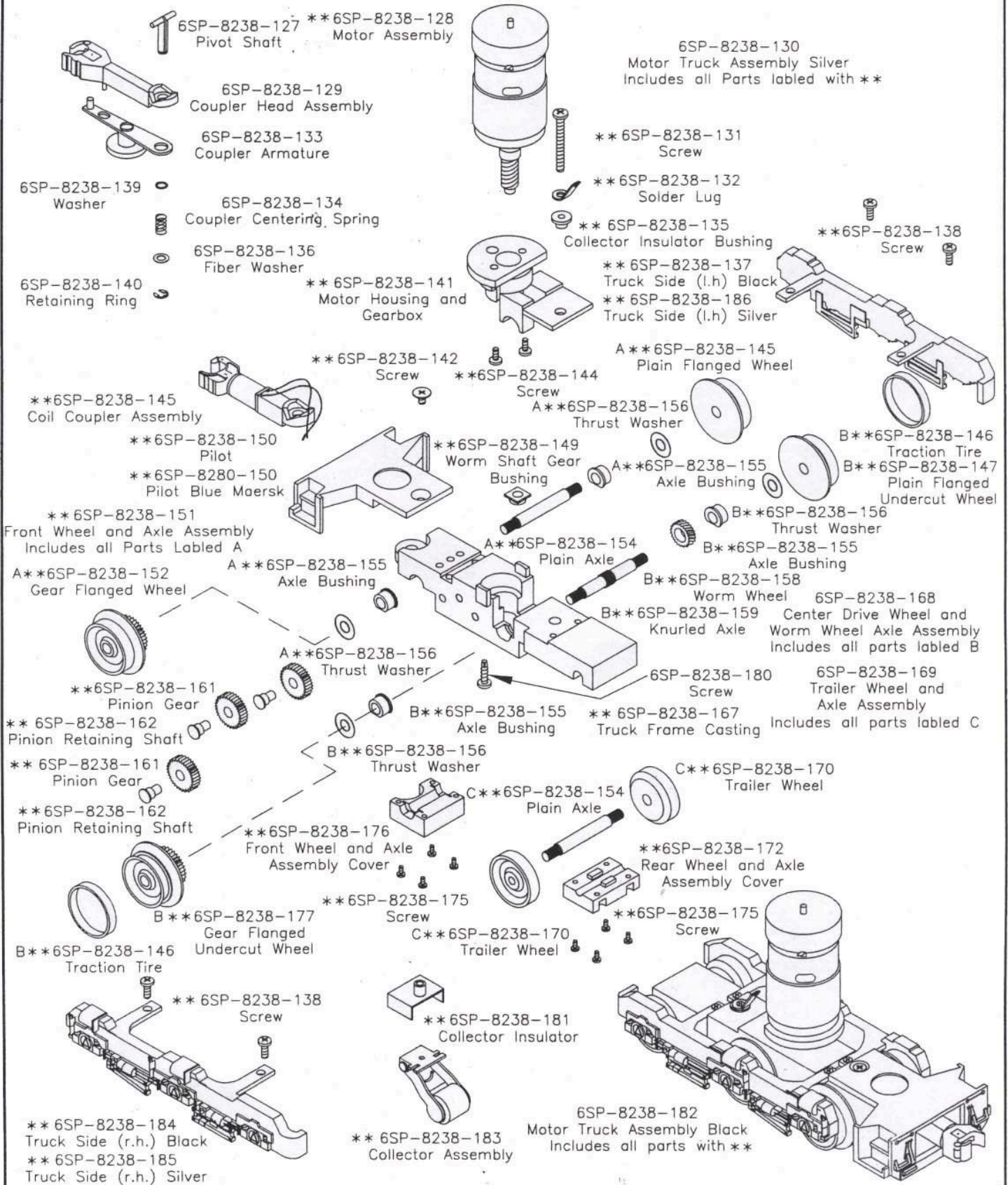


6SP-8241-117
Plow

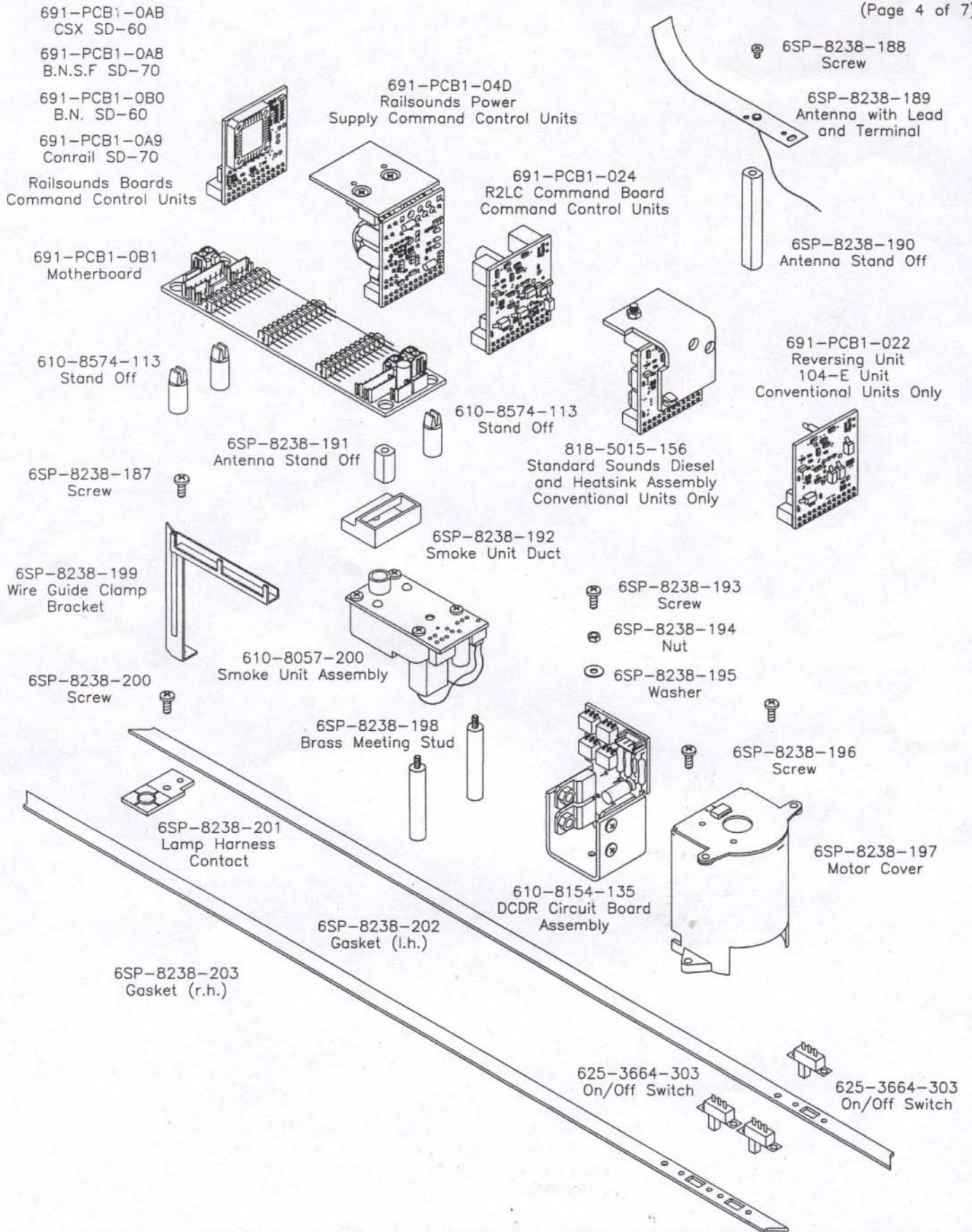


6SP-8241-118
Screw

SD-60 and 70 MAC Diesel Locomotives Command and Conventional Control

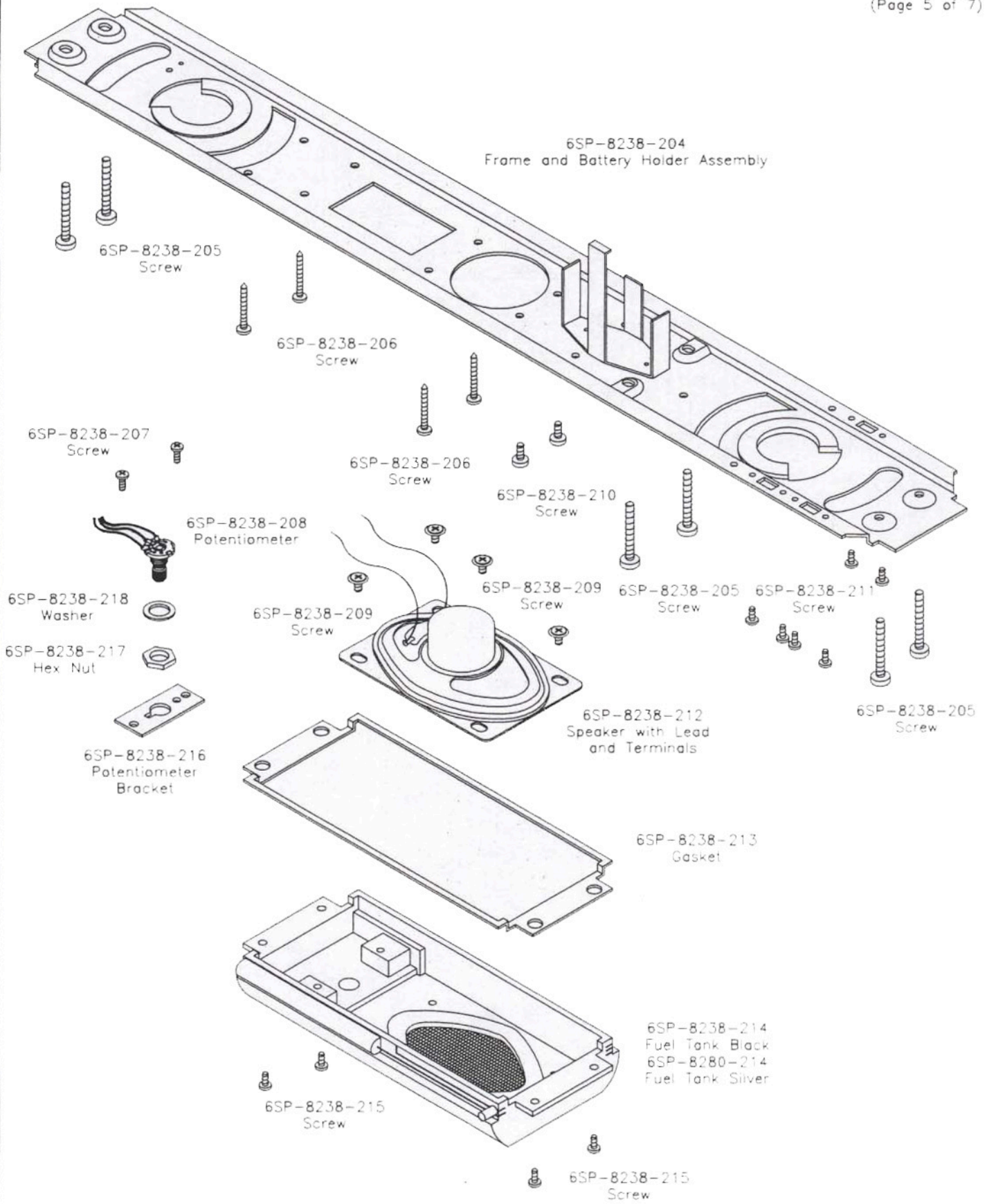


SD-60 and 70 MAC Diesel Locomotives Command and Conventional Control

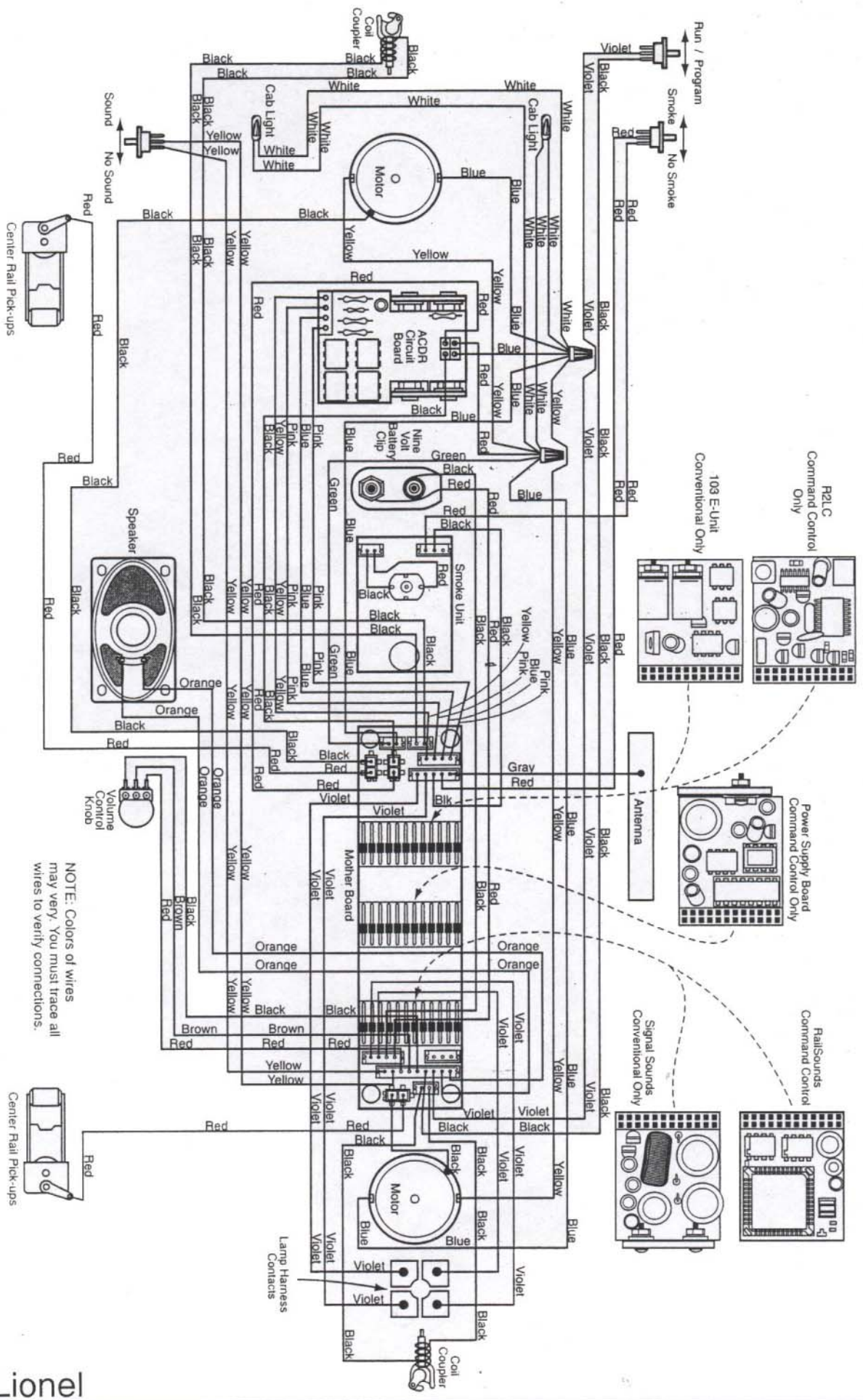


SD-60 and 70 MAC Diesel Locomotives Command and Conventional Control

(Page 5 of 7)



SD-60 AND SD-70 MAC DIESEL LOCOMOTIVES COMMAND CONTROL AND COMMAND READY PICTORIAL WIRING DIAGRAM. PAGE TWO CHASSIS ASSEMBLY.

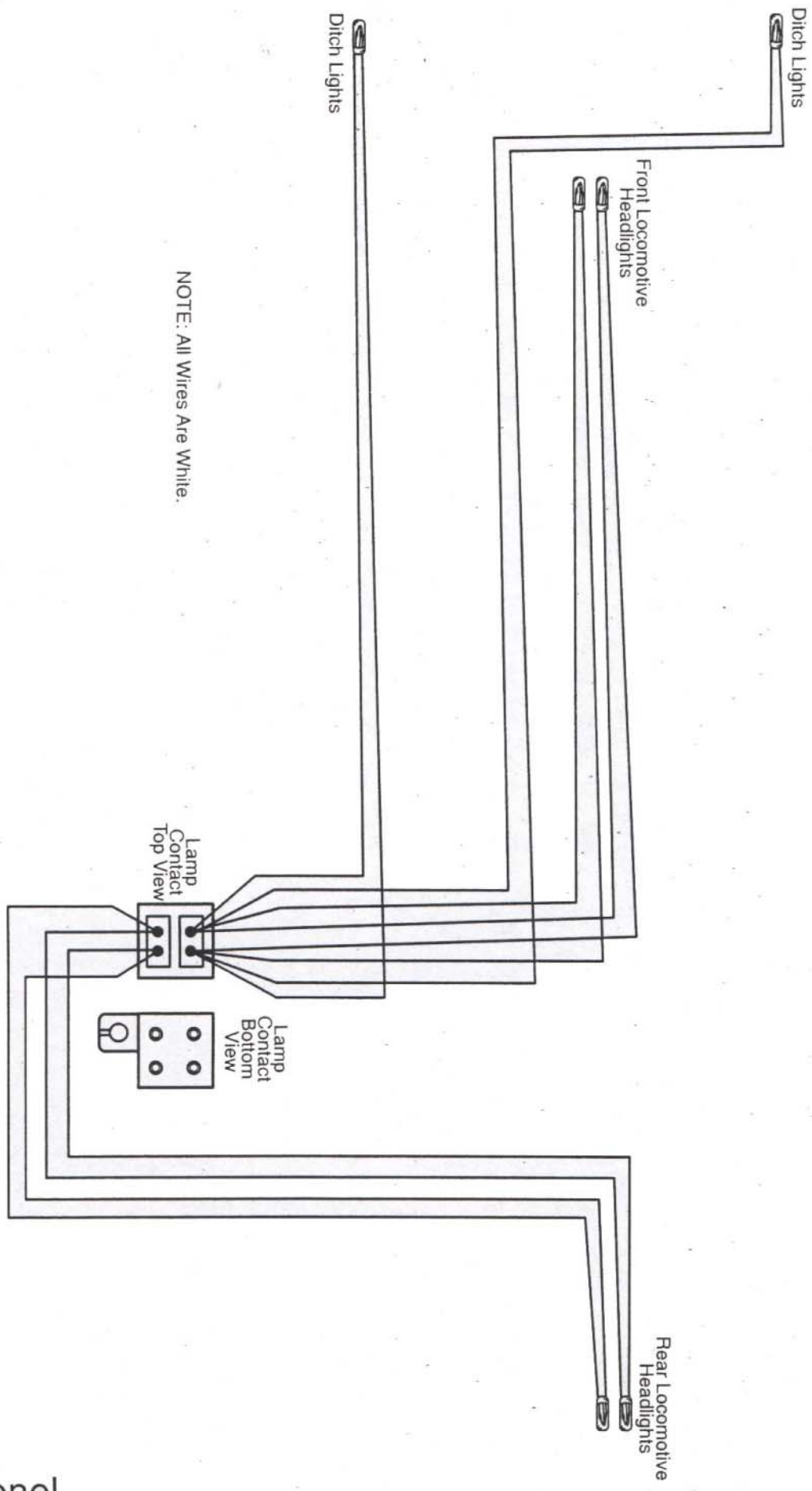


NOTE: Colors of wires may vary. You must trace all wires to verify connections.



SD-60 AND SD-70 MAC DIESEL LOCOMOTIVES COMMAND CONTROL AND COMMAND READY
PICTORIAL WIRING DIAGRAM. PAGE ONE LOCOMOTIVE HEADLIGHTS AND DITCHLIGHTS.

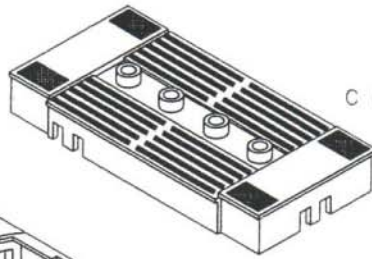
(Page 7 of 7)



FT A-Unit Powered Diesel Locomotive Command and Command Ready

(Page 1 of 8)

6SP-8XXX-002
FT-A Unit Cab Assembly
Consists of all Parts Labeled C
Ref.1



C 6SP-8XXX-014
Body Cap
Ref.3

C6SP-8154-100
Horn (Silver)

C6SP-8161-100
Horn (Black)

C 6SP-8155-035
Porthole Lens

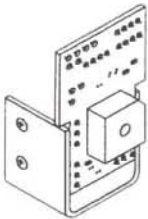
C 6SP-8XXX-007
FT-A Unit Cab
Ref.2

C 6SP-8155-035
Porthole Lens

C 610-8221-226
Antenna With Lead

C 6SP-8XXX-102
Marker Lens (l.h.)
REF.5

C 600-2333-016
Grabrail



610-8154-135
DCDR Assembly

610-9845-256
Power Supply
Command Version Only

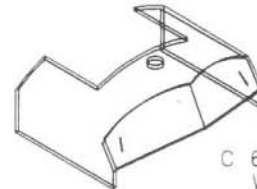
C 6SP-8XXX-101
Marker Lens (r.h.)
Ref.4



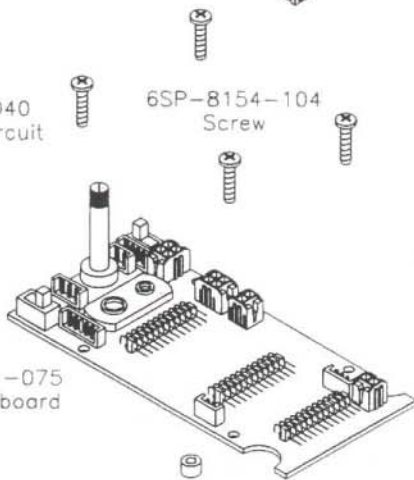
C 6SP-8155-045
Headlight Lens

691-PCB1-077
Generic Diesel RailSounds
Command Version Only

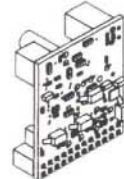
691-PCB1-024
R2LC Command Board
Command Version Only



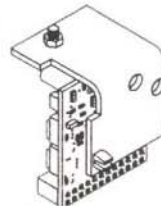
C 6SP-8155-025
Window Shell



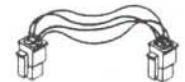
691-PCB1-075
FT Motherboard



818-5015-156
Standard Sounds
Conventional Only



610-8252-022
Reversing Unit 104-E
Conventional Only



6SP-8154-103
Wire Harness

C 610-8221-040
Housing Four Circuit

6SP-8154-104
Screw



610-8301-055
Cable Tie

6SP-8154-105
Stand Off

6SP-8154-106
Lead Black



6SP-8154-107
Lead Red



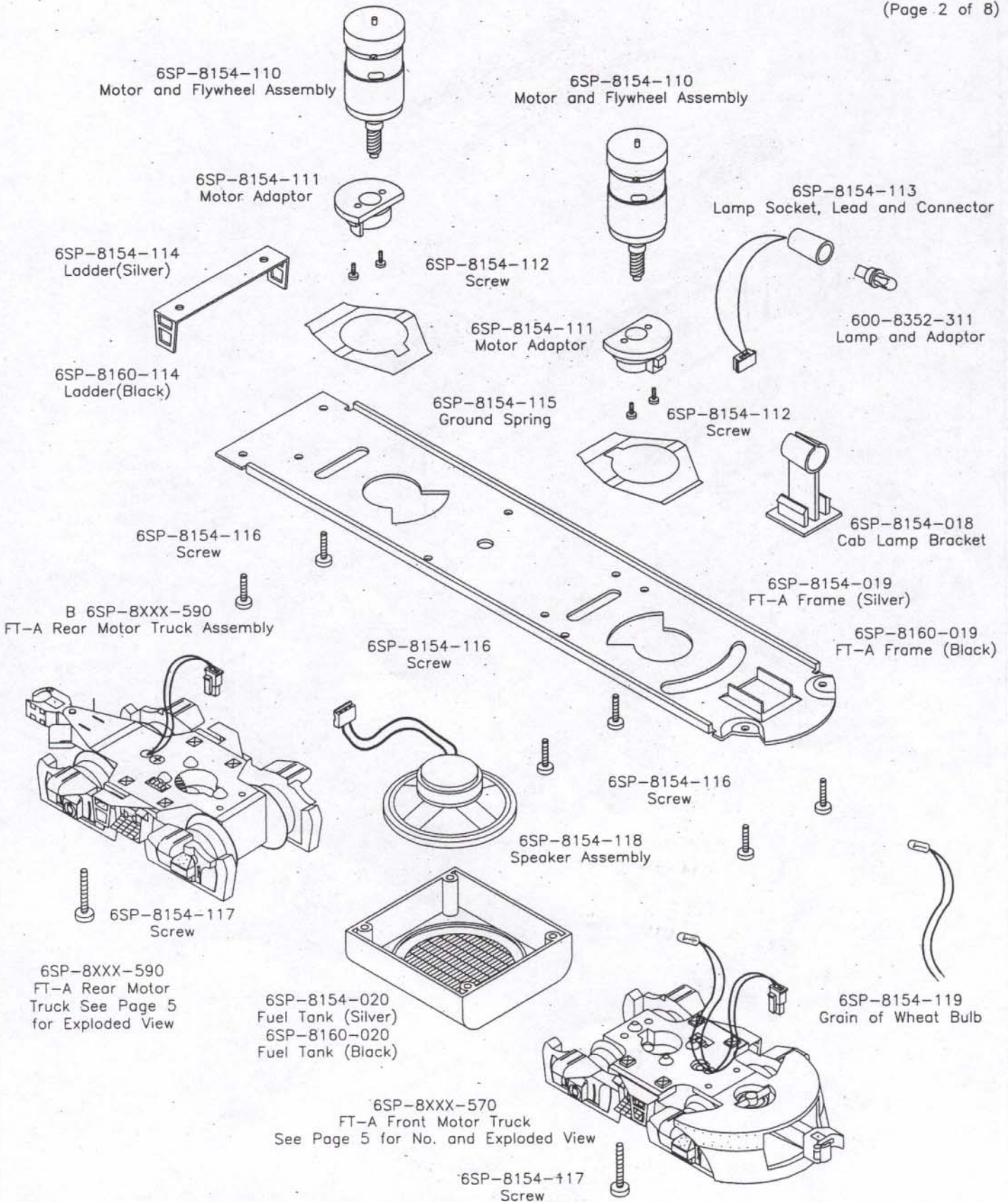
6SP-8154-108
Motor Connector and Lead



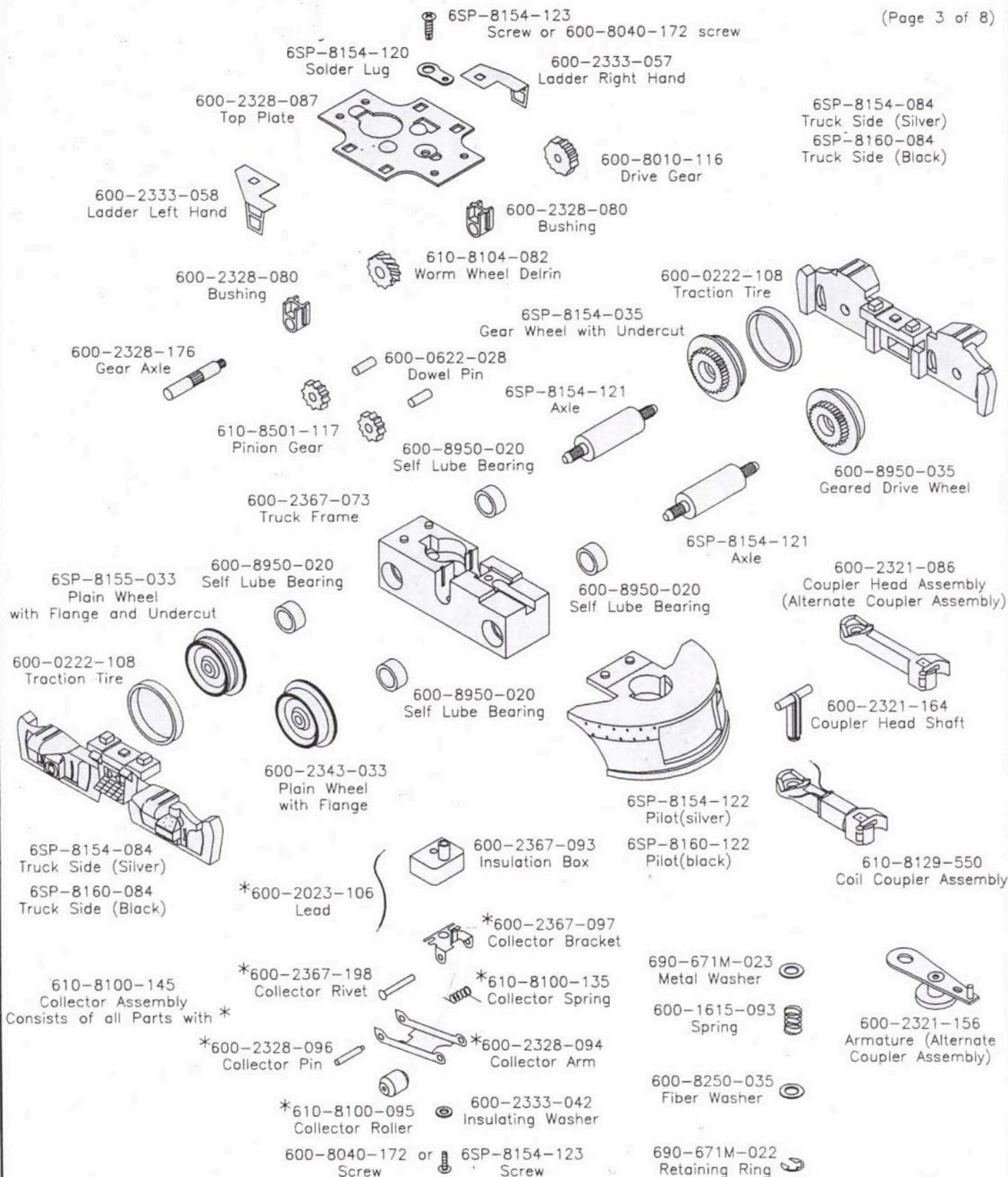
6SP-8154-109
Wire Harness

FT A-Unit Powered Diesel Locomotive Command and Command Ready

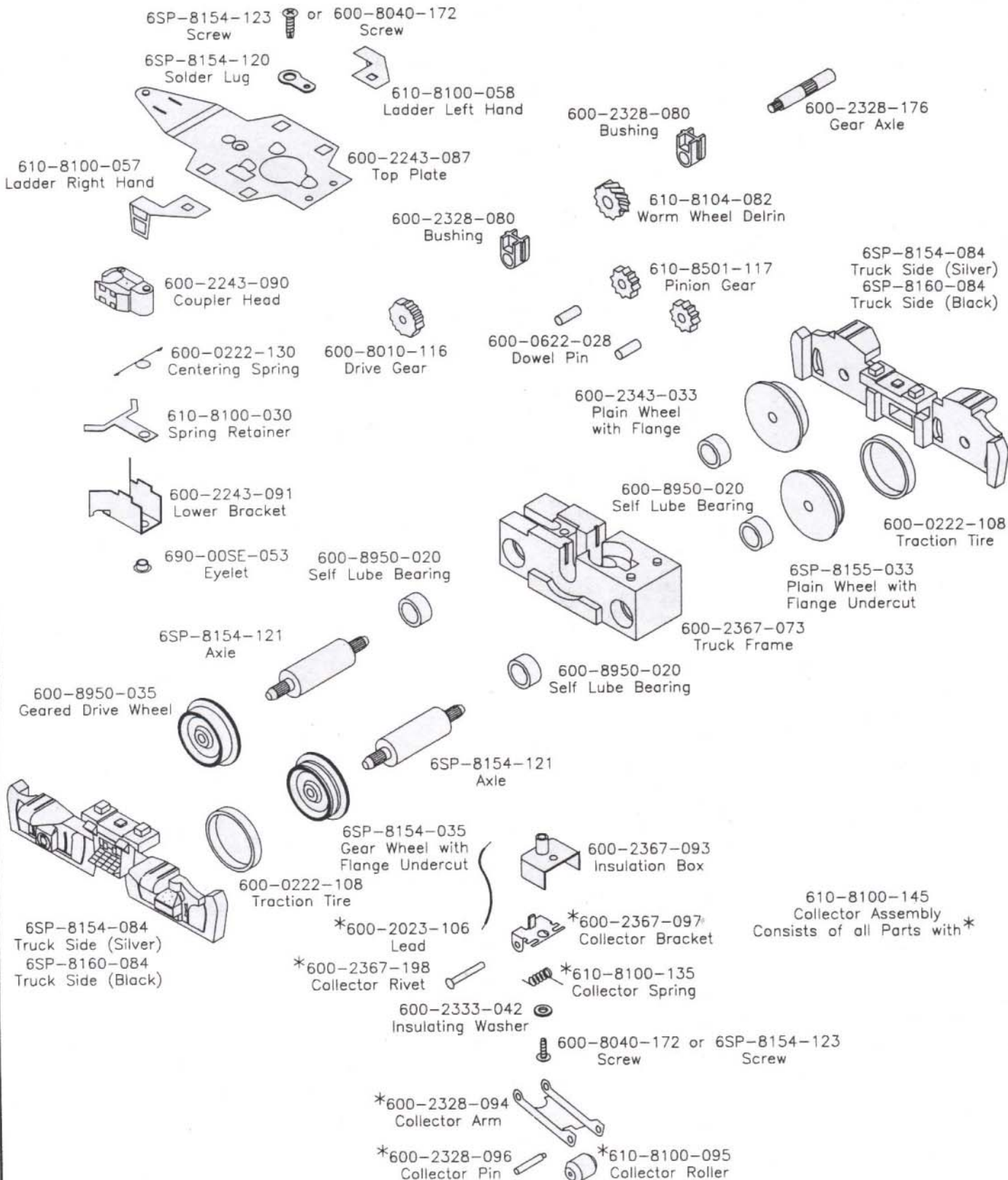
(Page 2 of 8)



6SP-8154-570 FT A-Front Motor Truck with Coil Coupler Silver
 6SP-8157-570 FT A-Front Motor Truck with Mechanical Coupler Silver
 6SP-8160-570 FT A-Front Motor Truck with Coil Coupler Black
 6SP-8163-570 FT A-Front Motor Truck with Mechanical Coupler Black

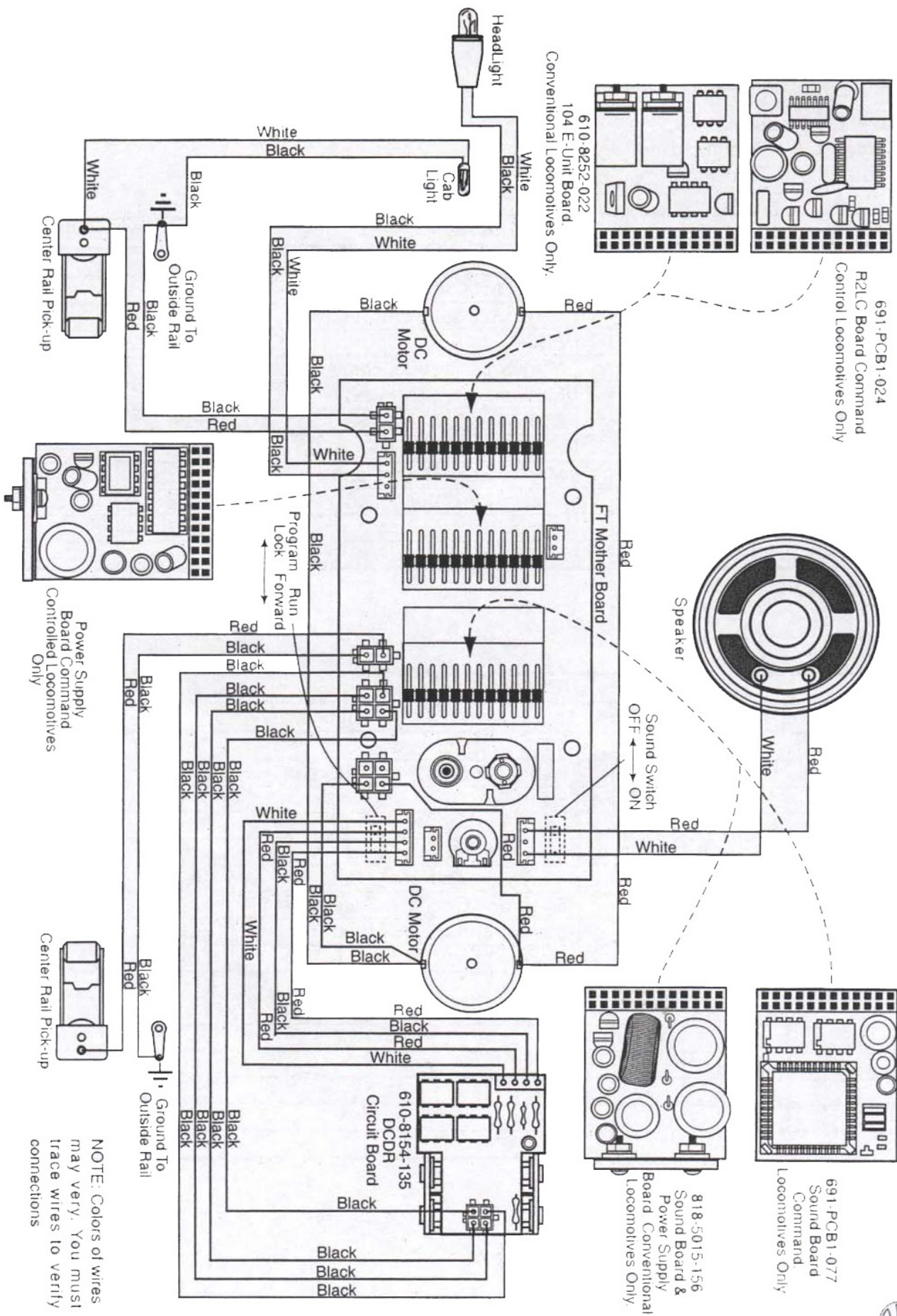


6SP-8154-590 FT A-Rear Truck Assembly Silver
 6SP-8166-590 FT A-Rear Truck Assembly Black



FT POWERED A-UNIT DIESEL LOCOMOTIVE WITH MODULAR ELECTRONICS

PICTORIAL WIRING DIAGRAM



(Page 5 of 8)



NOTE: Colors of wires may vary. You must trace wires to verify connections

FT A-A Diesel Locomotive
 6-18154 Sante Fe AA Command
 6-18157 Sante Fe AA Traditional

PART NUMBER											DESCRIPTION	CMD/TRAD	REF#	
FT A Diesel Locomotives Powered Units S.F. Command/Traditional														
6	S	P	-	8	1	5	5	-	0	0	2	FT A Unit Cab Assy S.F.	Cmd	1
6	S	P	-	8	1	5	5	-	0	0	7	FT A Unit Cab Non Deco S.F.	Cmd	2
6	S	P	-	8	1	5	4	-	0	1	4	Body Cap S.F.	Cmd/Tr	3
6	S	P	-	8	1	5	5	-	1	0	1	Marker Lens Right Hand	Cmd	4
6	S	P	-	8	1	5	5	-	1	0	2	Marker Lens Left Hand	Cmd	5
6	S	P	-	8	1	5	8	-	0	0	2	FT A Unit Cab Assy S.F.	Trad	1
6	S	P	-	8	1	5	8	-	0	0	7	FT A Unit Cab Non Deco S.F.	Trad	2
6	S	P	-	8	1	5	8	-	1	0	1	Marker Lens Right Hand	Trad	4
6	S	P	-	8	1	5	8	-	1	0	2	Marker Lens Left Hand	Trad	5

PART NUMBER											DESCRIPTION	CMD/TRAD	REF #	
FT A Diesel Locomotives Non Powered Units S.F. Command/Traditional														
6	S	P	-	8	1	5	6	-	0	0	2	FT A Unit Cab Assy S.F.	Cmd	1
6	S	P	-	8	1	5	6	-	0	0	7	FT A Unit Cab Non Decorated SF	Cmd	2
6	S	P	-	8	1	5	4	-	0	1	4	Body Cap S.F.	Cmd/Tr	3
6	S	P	-	8	1	5	6	-	1	0	1	Marker Lens Right Hand	Cmd	4
6	S	P	-	8	1	5	6	-	1	0	2	Marker Lens Left Hand	Cmd	5
6	S	P	-	8	1	5	9	-	0	0	2	FT A Unit Cab Assy. S.F.	Trad	1
6	S	P	-	8	1	5	9	-	0	0	7	FT A Unit Cab Non Decorated SF	Trad	2
6	S	P	-	8	1	5	9	-	1	0	1	Marker Lens Right Hand	Trad	4
6	S	P	-	8	1	5	9	-	1	0	2	Marker Lens Left Hand	Trad	5

FT A-A Diesel Locomotives
 6-18160 NYC A-A Command
 6-18163 NYC A-A Traditional

PART NUMBER											DESCRIPTION	CMD/TRAD	REF#	
FT A Diesel Locomotives Powered Units NYC Command/Traditional														
6	S	P	-	8	1	6	1	-	0	0	2	FT A Unit Cab Assy NYC	Cmd	1
6	S	P	-	8	1	6	1	-	0	0	7	FT A Unit Cab Non Deco NYC	Cmd	2
6	S	P	-	8	1	6	0	-	0	1	4	Body Cap NYC	Cmd/Tr	3
6	S	P	-	8	1	6	1	-	1	0	1	Marker Lens Right Hand	Cmd	4
6	S	P	-	8	1	6	1	-	1	0	2	Marker Lens Left Hand	Cmd	5
6	S	P	-	8	1	6	4	-	0	0	2	FT A Unit Cab Assy NYC	Trad	1
6	S	P	-	8	1	6	4	-	0	0	7	FT A Unit Cab Non Deco NYC	Trad	2
6	S	P	-	8	1	6	4	-	1	0	1	Marker Lens Right Hand	Trad	4
6	S	P	-	8	1	6	4	-	1	0	2	Marker Lens Left Hand	Trad	5

PART NUMBER											DESCRIPTION	CMD/TRAD	REF #	
FT A Diesel Locomotives Non Powered Units NYC Command/Traditional														
6	S	P	-	8	1	6	2	-	0	0	2	FT A Unit Cab Assy NYC	Cmd	1
6	S	P	-	8	1	6	2	-	0	0	7	FT A Unit Cab Non Deco NYC	Cmd	2
6	S	P	-	8	1	6	0	-	0	1	4	Body Cap NYC	Cmd/Tr	3
6	S	P	-	8	1	6	2	-	1	0	1	Marker Lens Right Hand	Cmd	4
6	S	P	-	8	1	6	2	-	1	0	2	Marker Lens Left Hand	Cmd	5
6	S	P	-	8	1	6	5	-	0	0	2	FT A Unit Cab Assy NYC	Trad	1
6	S	P	-	8	1	6	5	-	0	0	7	FT A unit Cab Non Deco NYC	Trad	2
6	S	P	-	8	1	6	5	-	1	0	1	Marker Lens Right Hand	Trad	4
6	S	P	-	8	1	6	5	-	1	0	2	Marker Lens left Hand	Trad	5

FT A-A Diesel Locomotives
 6-18166 B & O AA Command
 6-18169 B & O AA Traditional

PART NUMBER											DESCRIPTION	CMD/TRAD	REF#	
FT A Diesel Locomotives Powered Units B & O Command/Traditional														
6	S	P	-	8	1	6	7	-	0	0	2	FT A Unit Cab Assy B & O	Cmd	1
6	S	P	-	8	1	6	7	-	0	0	7	FT A Unit Cab Non Deco B & O	Cmd	2
6	S	P	-	8	1	6	6	-	0	1	4	Body Cap B & O	Cmd/Tr	3
6	S	P	-	8	1	6	7	-	1	0	1	Marker Lens Right Hand	Cmd	4
6	S	P	-	8	1	6	7	-	1	0	2	Marker Lens Left Hand	Cmd	5
6	S	P	-	8	1	7	0	-	0	0	2	FT A Unit Cab Assy. B & O	Trad	1
6	S	P	-	8	1	7	0	-	0	0	7	FT A Unit Cab Non Deco B & O	Trad	2
6	S	P	-	8	1	7	0	-	1	0	1	Marker Lens Right Hand	Trad	4
6	S	P	-	8	1	7	0	-	1	0	2	Marker Lens Left Hand	Trad	5

PART NUMBER											DESCRIPTION	CMD/TRAD	REF#	
FT A Diesel Locomotives Non Powered Units B & O Command/Traditional														
6	S	P	-	8	1	6	8	-	0	0	2	FT A Unit Cab Assy B & O	Cmd	1
6	S	P	-	8	1	6	8	-	0	0	7	FT A Unit Cab Non Deco B & O	Cmd	2
6	S	P	-	8	1	6	6	-	0	1	4	Body Cap B & O	Cmd/Tr	3
6	S	P	-	8	1	6	8	-	1	0	1	Marker Lens Right Hand	Cmd	4
6	S	P	-	8	1	6	8	-	1	0	2	Marker Lens Left Hand	Cmd	5
6	S	P	-	8	1	7	1	-	0	0	2	FT A Unit Cab Assy B & O	Trad	1
6	S	P	-	8	1	7	1	-	0	0	7	FT A Unit Cab Non Deco B & O	Trad	2
6	S	P	-	8	1	7	1	-	1	0	1	Marker Lens Right Hand	Trad	4
6	S	P	-	8	1	7	1	-	1	0	2	Marker Lens Left Hand	Trad	5

6-16790 Stock Car U. P. with Rail Sounds

600-3656-153
Drive Stud

600-6464-005
Door Guide

610-6790-014
Stock Car Door
Right Hand

600-3656-153
Drive Stud

600-3656-153
Drive Stud

610-6776-055
Foam Strip

600-6464-005
Door Guide

610-6776-055
Foam Strip

600-3656-153
Drive Stud

610-6790-007
Stock Car Body
U.P.

610-6776-055
Foam Strip

600-6464-005
Door Guide

600-3656-153
Drive Stud

610-6776-055
Foam Strip

610-6790-024
Stock Car Door
Left Hand

600-3656-153
Drive Stud

600-3656-153
Drive Stud

600-6464-005
Door Guide

600-3656-153
Drive Stud



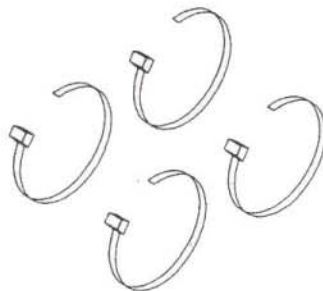
610-9284-060
Brake Wheel and
Shaft Assembly



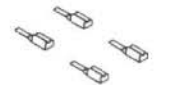
680-8040-144
Lead Black



680-2763-144
Lead Black
with White Tracer



610-8301-055
Cable Tie



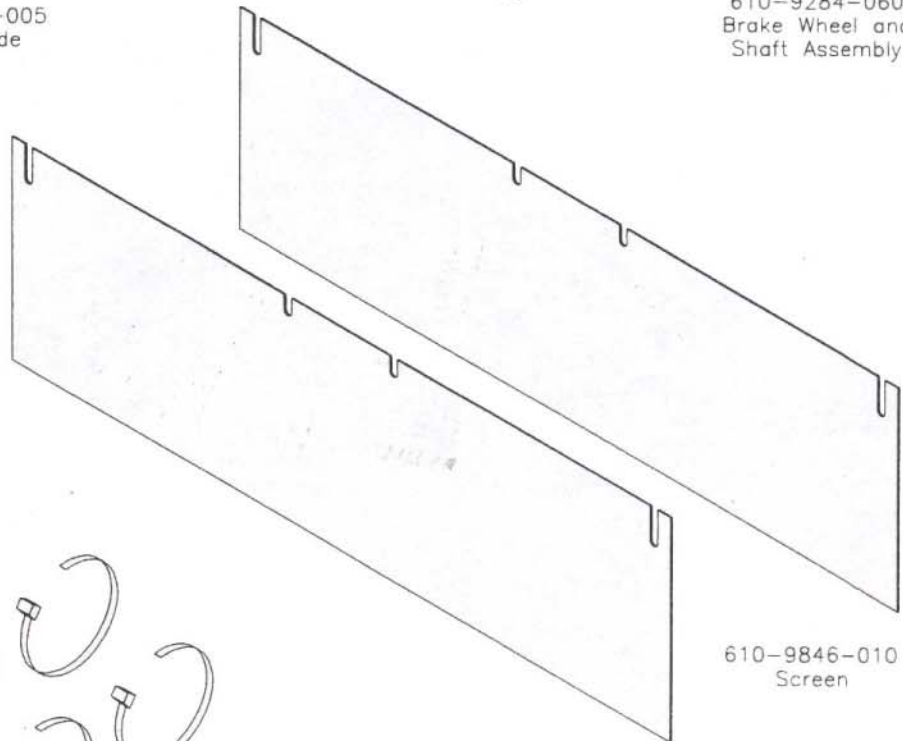
610-9846-160
Terminal Molex



610-9846-012
Housing Two
Circuit Molex

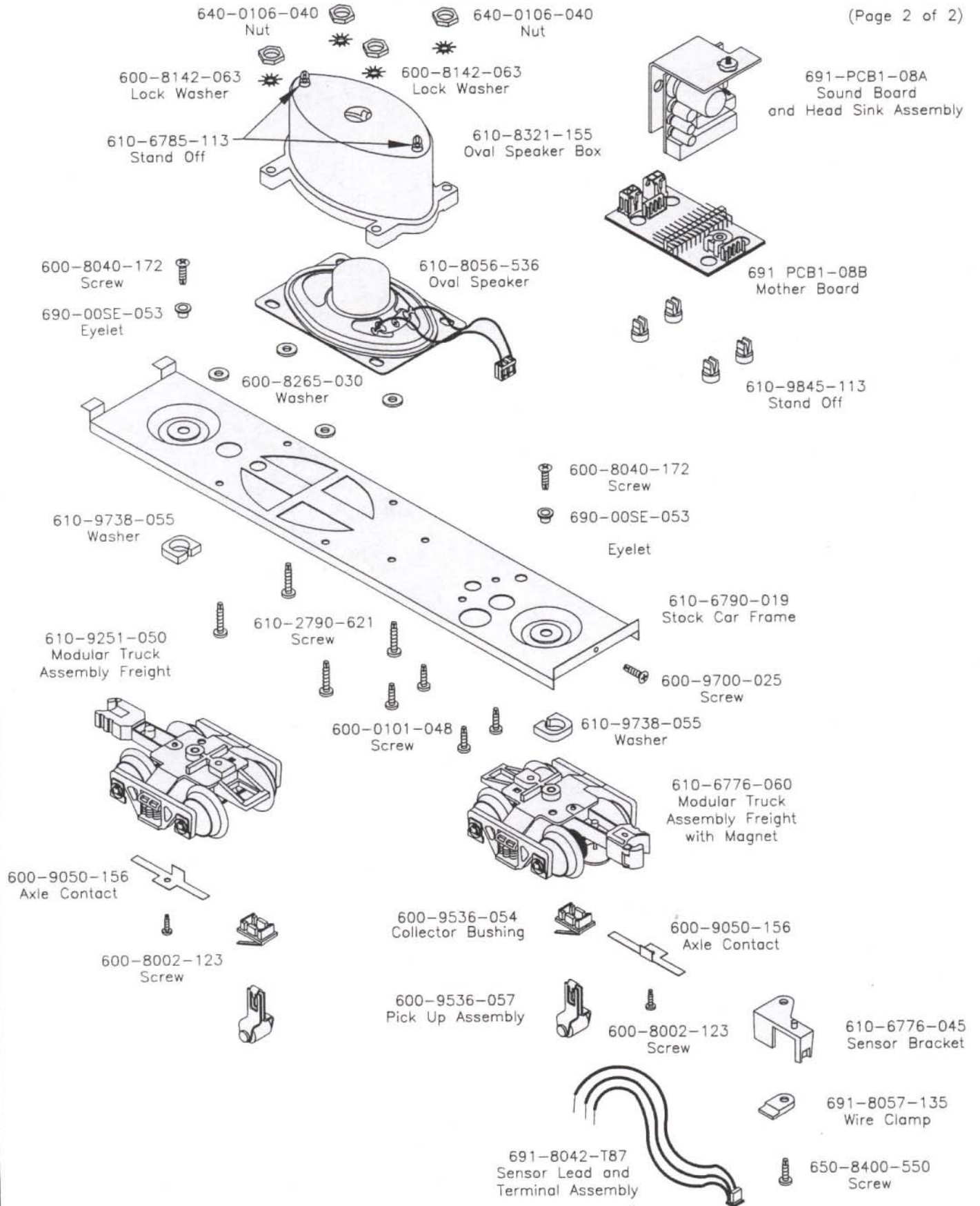


610-8221-013
Housing
Three Circuit



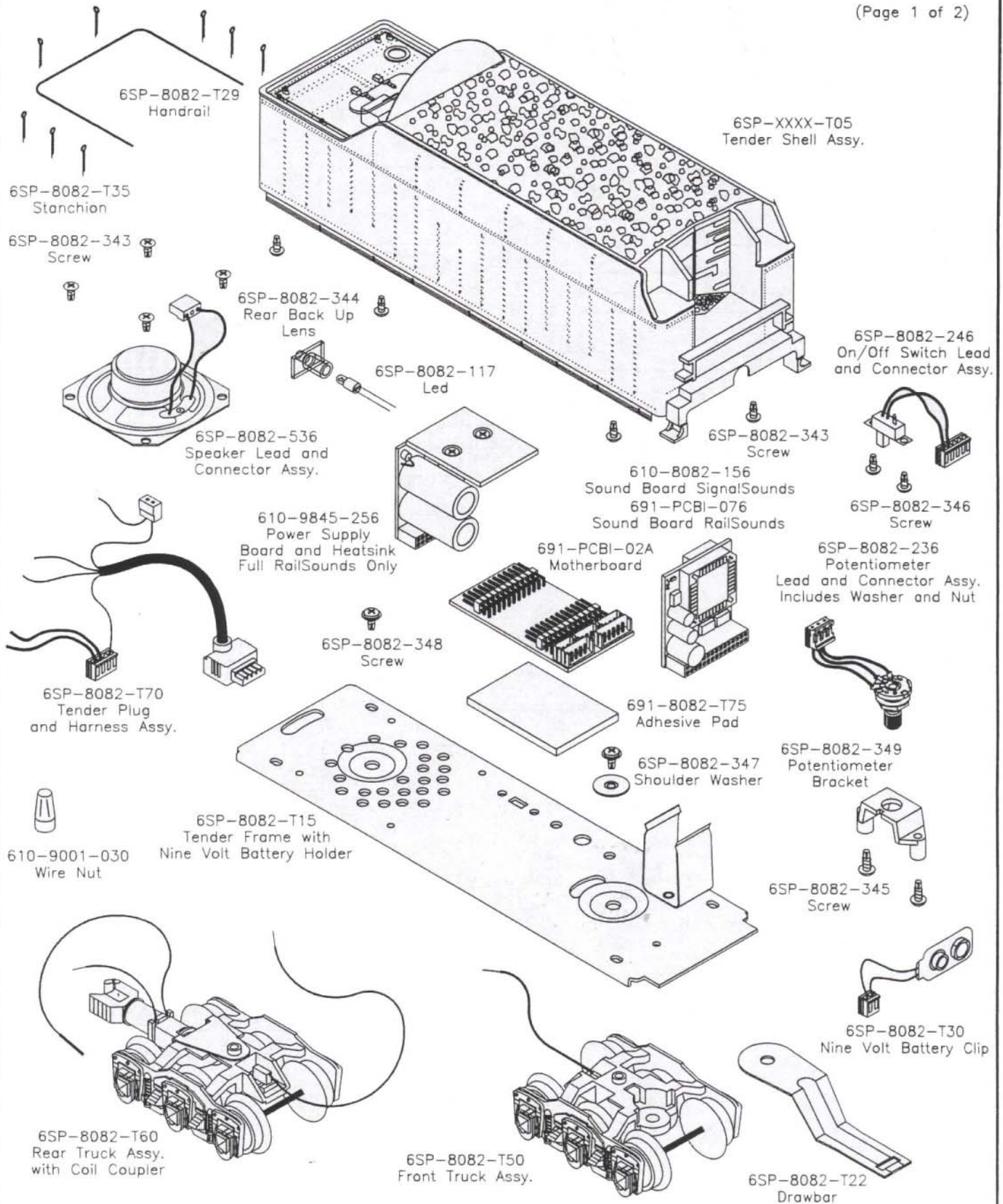
610-9846-010
Screen

6-16790 Stock Car U. P. with Rail Sounds



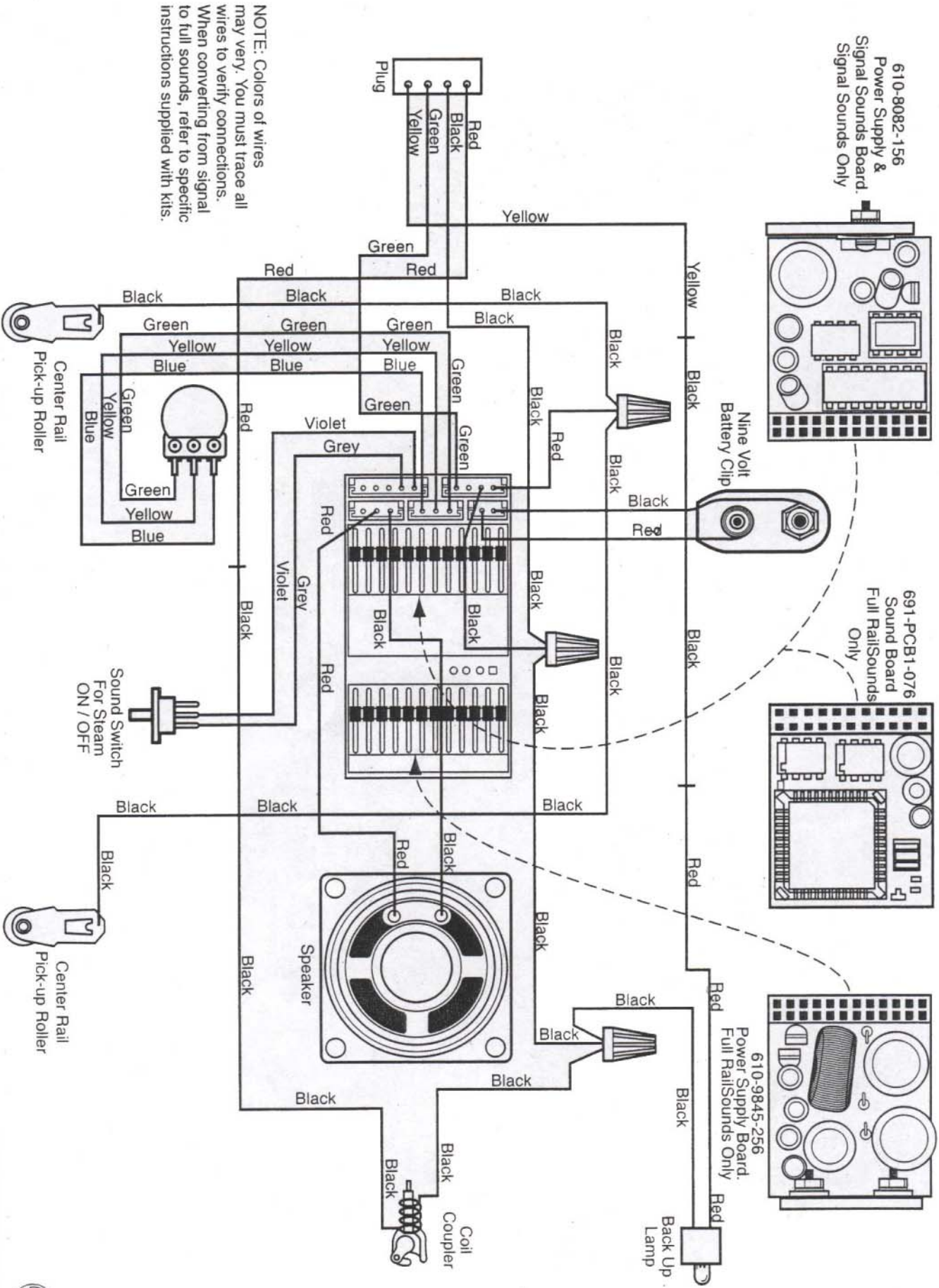
8000 SERIES NO. 1 HUDSON TENDER

(Page 1 of 2)



LIONEL 4-6-4 HUDSON & 4-6-2 PACIFIC TENDER'S PICTORIAL WIRING DIAGRAM SERIES ONE

(Page 2 of 2)

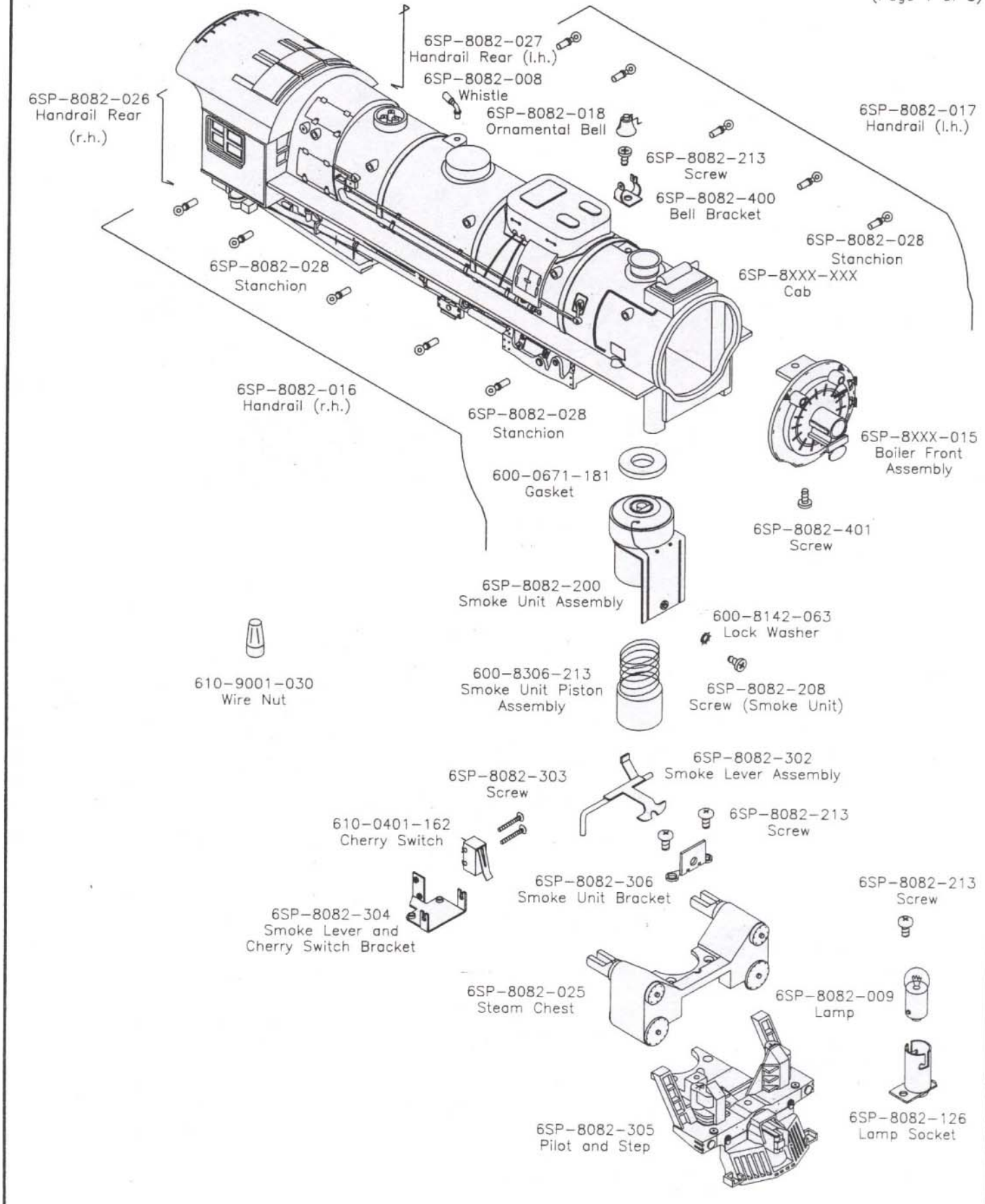


NOTE: Colors of wires may vary. You must trace all wires to verify connections. When converting from signal to full sounds, refer to specific instructions supplied with kits.



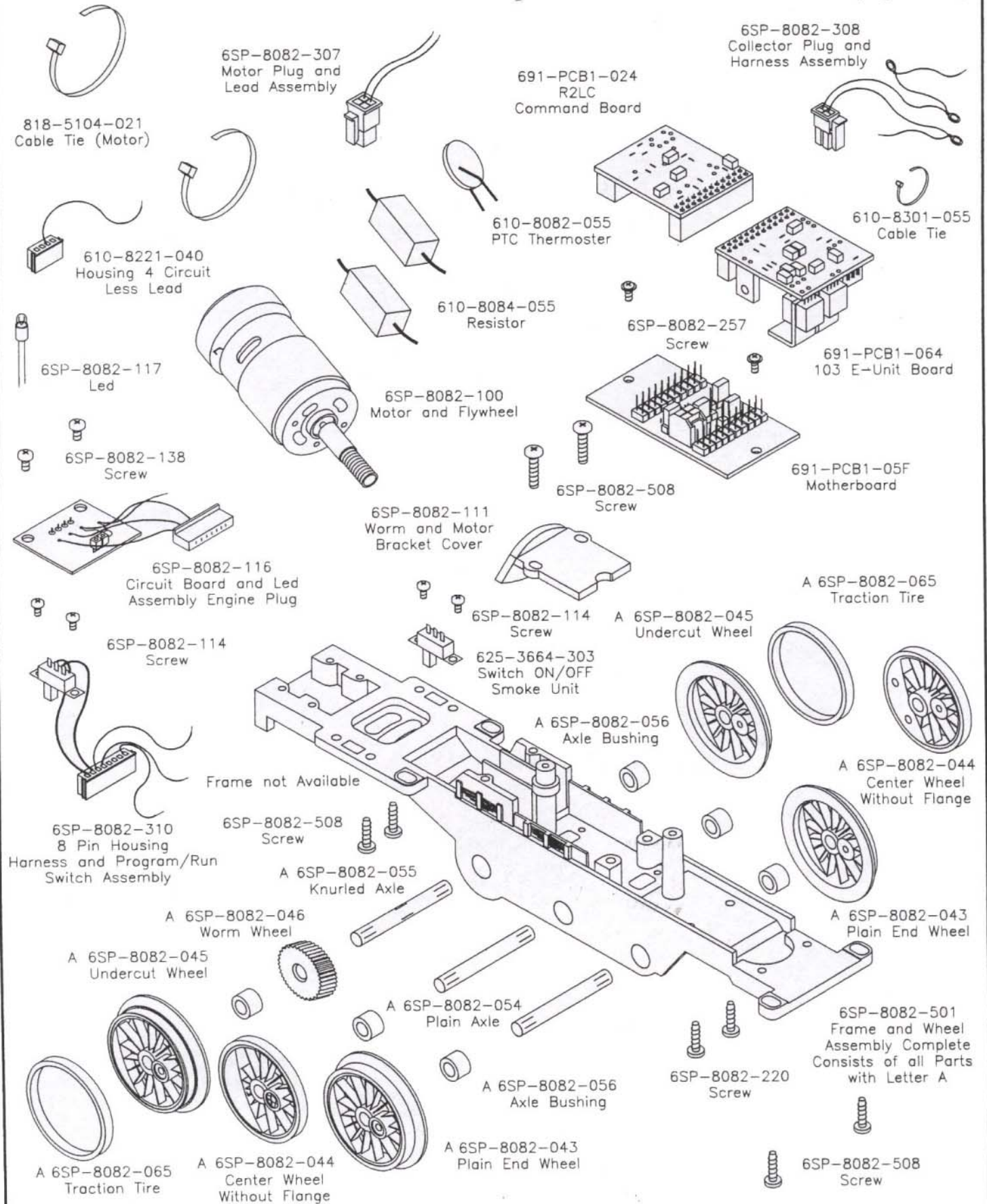
8000 SERIES NO. 1 4-6-4 HUDSON STEAM LOCOMOTIVE

(Page 1 of 5)



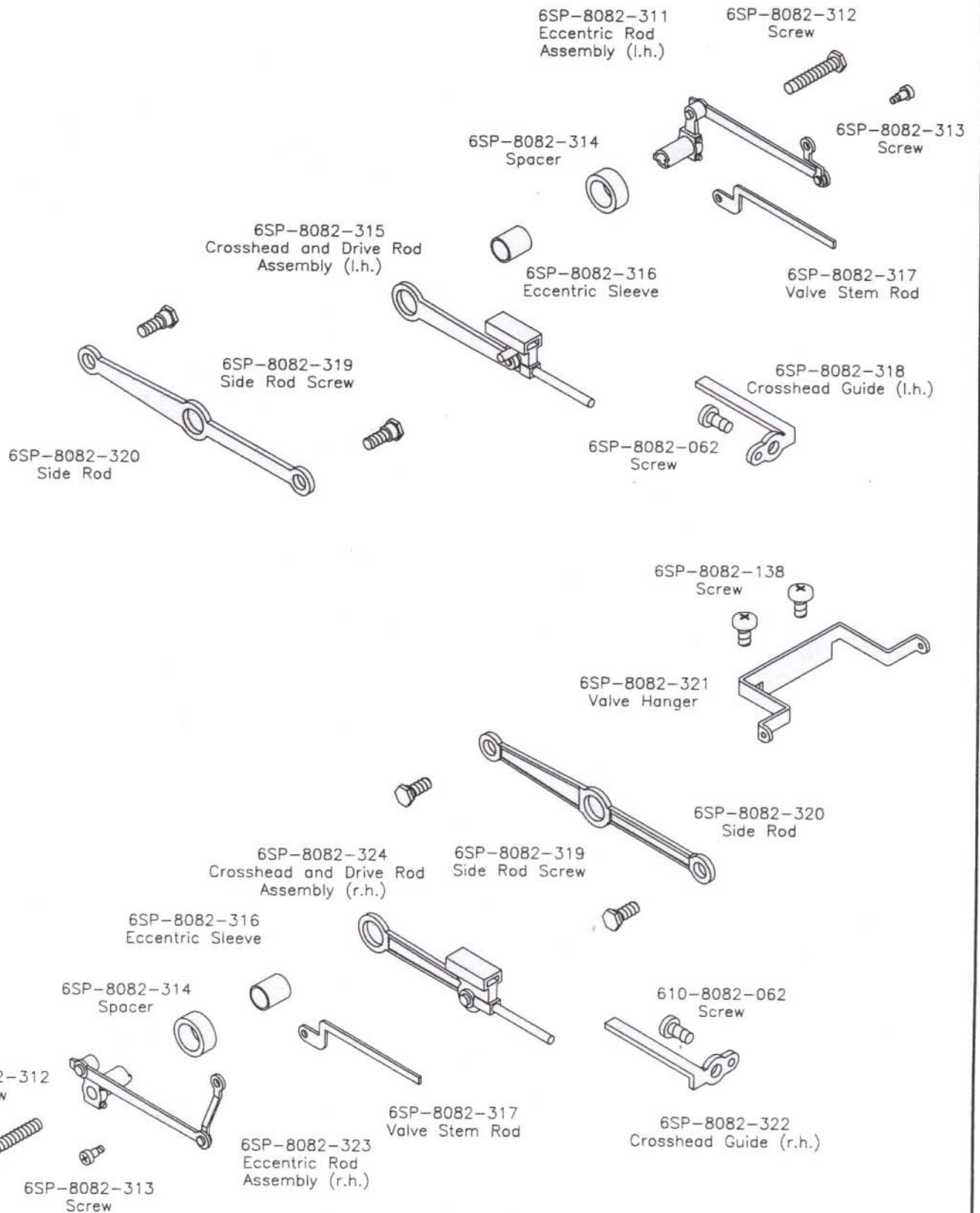
8000 SERIES NO. 1 4-6-4 HUDSON STEAM LOCOMOTIVE

(Page 2 of 5)

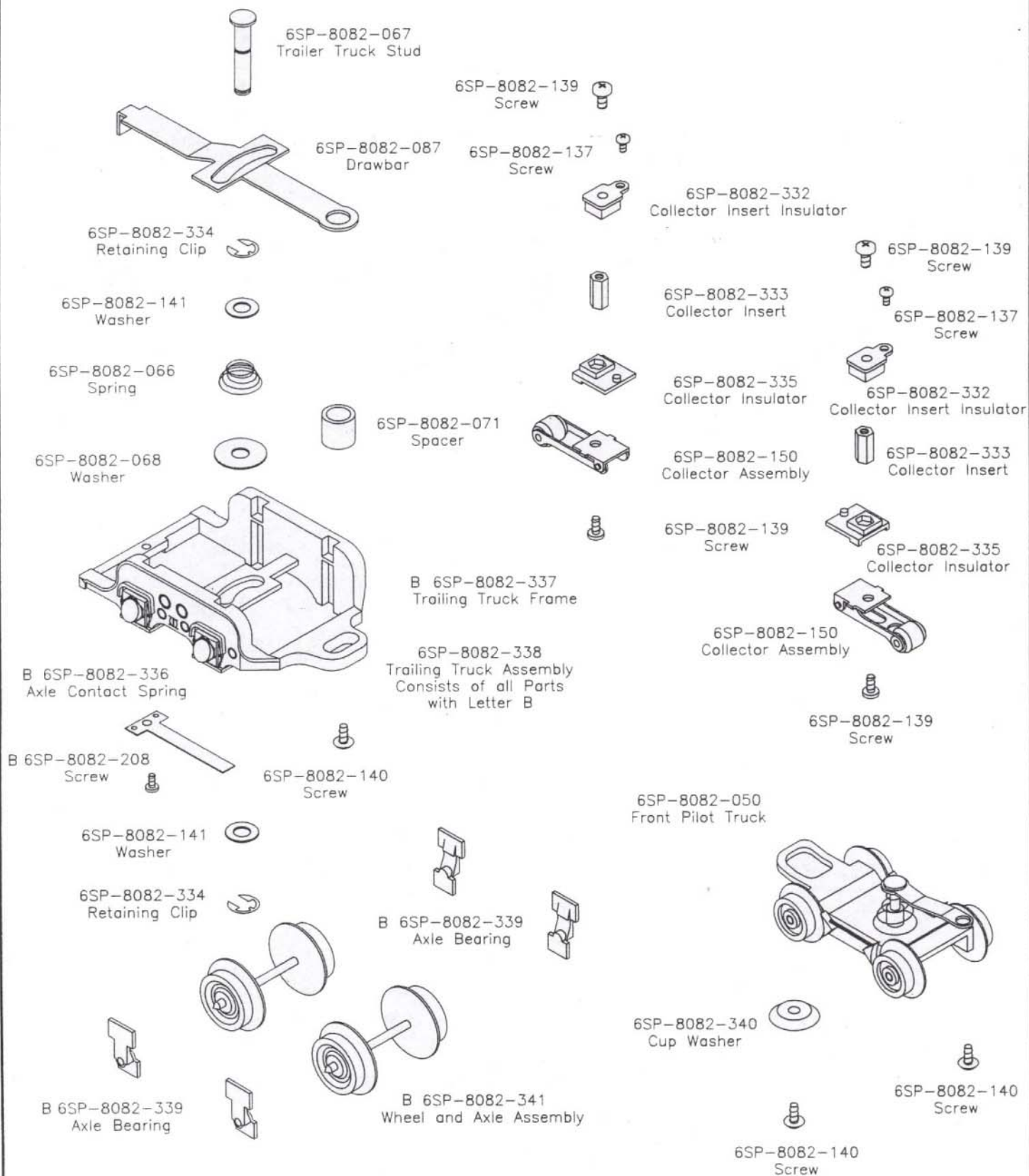


8000 SERIES NO. 1 4-6-4 HUDSON STEAM LOCOMOTIVE

(Page 3 of 5)

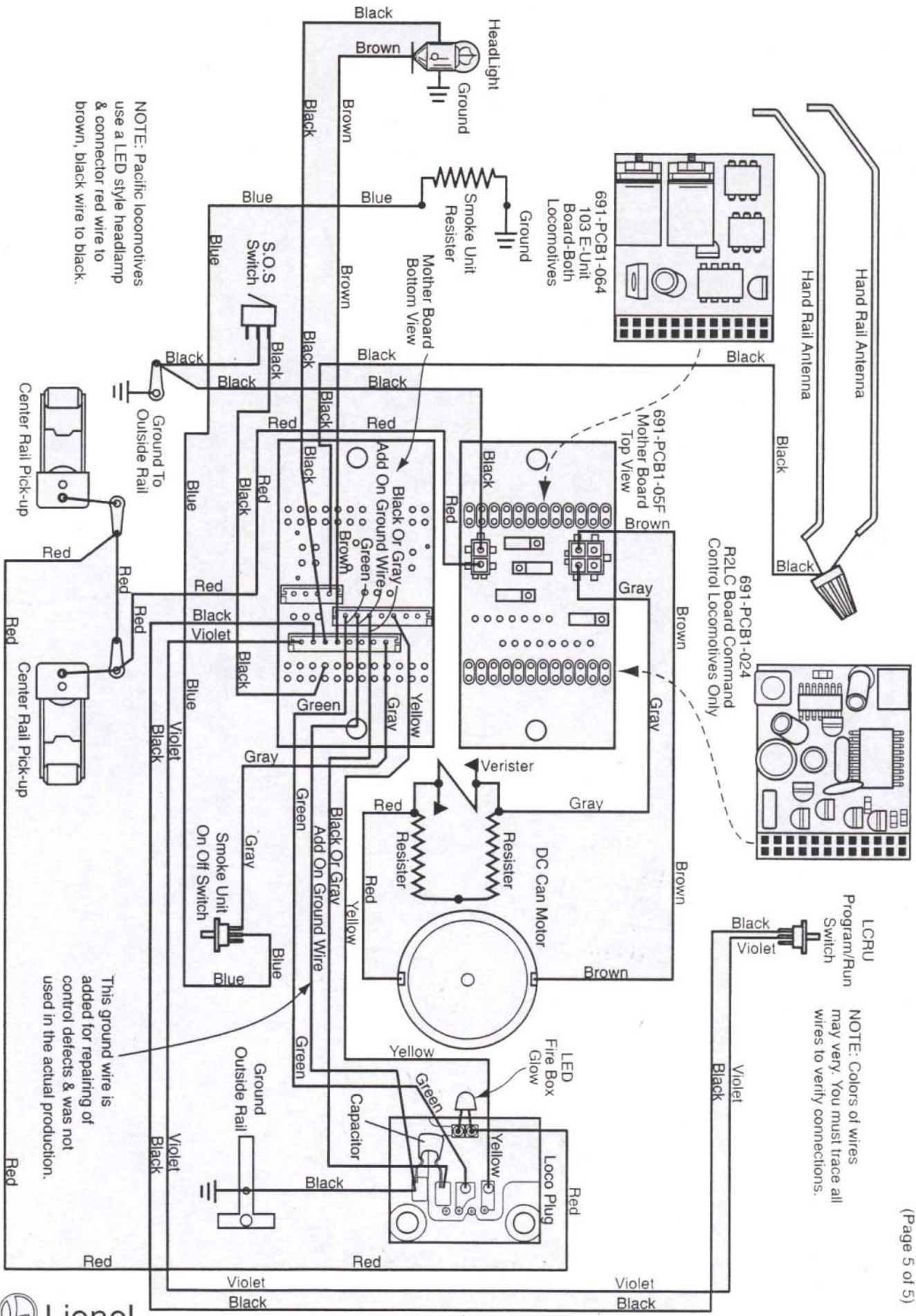


8000 SERIES NO. 1 4-6-4 HUDSON STEAM LOCOMOTIVE



LIONEL 4-6-4 HUDSON & 4-6-2 PACIFIC LOCOMOTIVE'S PICTORIAL WIRING DIAGRAM SERIES ONE

(Page 5 of 5)



NOTE: Pacific locomotives use a LED style headlamp & connector red wire to brown, black wire to black.

LCRU Program/Run Switch
NOTE: Colors of wires may vary. You must trace all wires to verify connections.

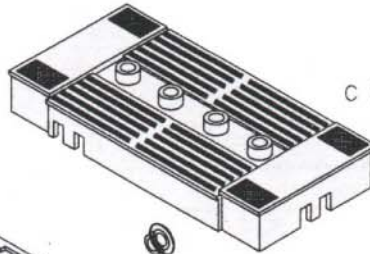
This ground wire is added for repairing of control defects & was not used in the actual production.



FT B-Unit Non-Powered Diesel Locomotive

(Page 1 of 2)

6SP-8XXX-002
FT-B Unit Cab Assembly
Consists of all Parts Labeled C
Ref.1



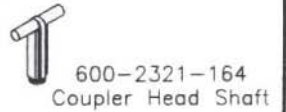
C 6SP-8XXX-014
Body Cap
Ref.3

C-6SP-8155-035
Porthole Lens

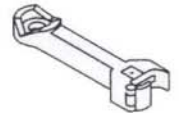
C 6SP-8XXX-007
FT-B Unit Cab
Ref. 2

C-6SP-8155-035
Porthole Lens

690-671M-022
Retaining Clip



600-2321-164
Coupler Head Shaft



6SP-8154-114
Ladder (Silver)

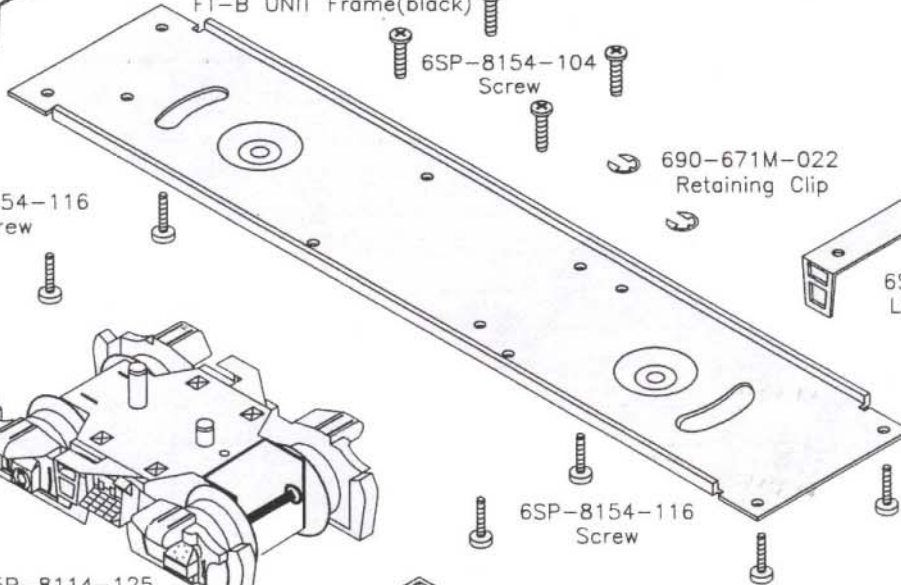
6SP-8114-019
FT-B UNIT Frame(silver)
65P-8115-019
FT-B UNIT Frame(black)

600-2321-086
Coupler Head Assembly

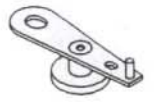


6SP-8154-104
Screw

6SP-8114-135
Metal Washer



690-671M-022
Retaining Clip

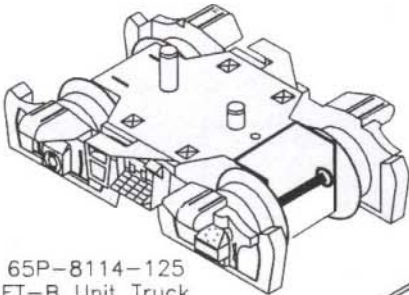


600-2321-156
Armature Uncoupler
Assembly

6SP-8154-116
Screw

6SP-8160-114
Ladder (Black)

600-1615-093
Spring

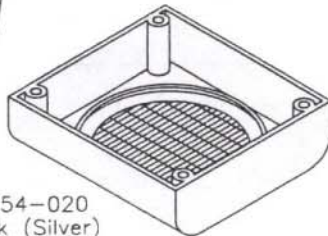


65P-8114-125
FT-B Unit Truck
With Operating Coupler (Silver)

600-8250-035
Fiber Washer

690-671M-022
Retaining Ring

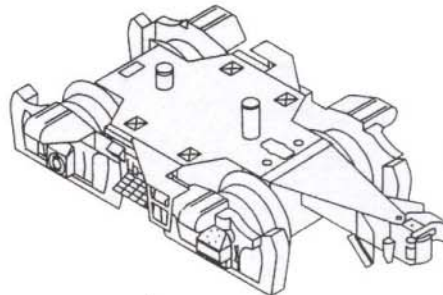
65P-8115-125
FT-B Unit Truck
With Operating Coupler (Black)



6SP-8154-020
Fuel Tank (Silver)

6SP-8160-020
Fuel Tank (Black)

6SP-8115-025
FT B-Unit Truck
With Dummy Coupler
(Black)



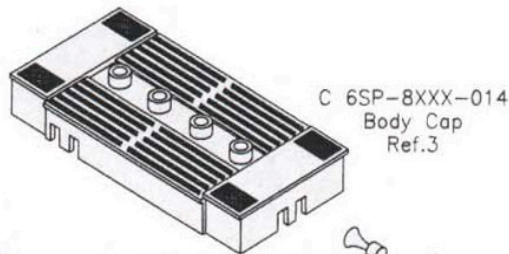
6SP-8114-025
FT B-Unit Truck
With Dummy Coupler
(Silver)

PART NUMBER											DESCRIPTION	REF#	
6	S	P	-	8	1	1	4	-	0	0	2	FT B-Unit Cab Assy S.F.	1
6	S	P	-	8	1	1	4	-	0	0	7	FT B-Unit Cab Non Decorated SF	2
6	S	P	-	8	1	5	4	-	0	1	4	Body Cab Sante Fe	3
6	S	P	-	8	1	1	5	-	0	0	2	FT B-Unit Cab Assy NYC	1
6	S	P	-	8	1	1	5	-	0	0	7	FT B-Unit Cab Non Deco NYC	2
6	S	P	-	8	1	6	0	-	0	1	4	Body Cab NYC	3
6	S	P	-	8	1	1	6	-	0	0	2	FT B-Unit Cab Assy B & O	1
6	S	P	-	8	1	1	6	-	0	0	7	FT B-Unit Cab Non Deco B & O	2
6	S	P	-	8	1	6	6	-	0	1	4	Body Cap B & O	3

PART NUMBER											DESCRIPTION	REF#	

FT A-Unit Non-Powered Diesel Locomotive

6SP-8XXX-002
FT A-Unit Cab Assembly
Consists of all Parts Labeled C
Ref.1



C 6SP-8XXX-014
Body Cap
Ref.3

C 610-8155-035
Porthole Lens

C 6SP-8161-100
Horn (Black)

C 6SP-8154-100
Horn (Silver)

C 6SP-8155-035
Porthole Lens

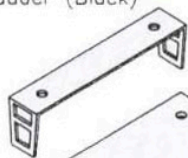
C 6SP-8XXX-007
FT-A Unit Cab
Ref. 2

C 6SP-8155-035
Porthole Lens

6SP-8154-114
Ladder (Silver)
6SP-8160-114
Ladder (Black)

6SP-8154-111
Motor Adapter

C 6SP-8XXX-102
Marker Lens (l.h.)
Ref.5



C 600-2333-016
Grabrail

6SP-8154-104
Screw

C6SP-8XXX-101
Marker Lens (r.h.)
Ref.4

6SP-8154-018
Cab Light Bracket

6SP-8154-111
Motor Adapter

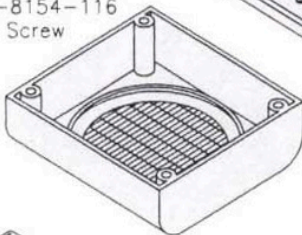
C 6SP-8155-045
Headlight Lens

6SP-8154-019
FT-A Frame (Silver)
6SP-8160-019
FT-A Frame (Black)

6SP-8154-116
Screw

C6SP-8155-025
Window Shell

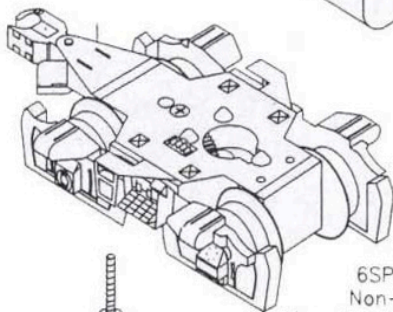
6SP-8154-020
Fuel Tank (Silver)
6SP-8160-020
Fuel Tank (Black)



6SP-8154-113
Lamp Socket, Lead and Connector

6SP-8154-116
Screw

600-8352-311
Lamp and Adaptor



6SP-8154-117
Screw

6SP-8156-590
Non-Powered A
Rear Truck Assembly (Silver)

6SP-8162-590
Non-Powered A
Rear Truck Assembly (Black)

6SP-8156-570
Non-Powered A
Front Truck Assembly (Silver)

6SP-8162-570
Non-Powered A
Front Truck Assembly (Black)


6SP-8154-117
Screw

6SP-8156-590 Non-Powered Rear Truck Assembly Silver
 6SP-8162-590 Non-Powered Rear Truck Assembly Black


(Page 3 of 3)


600-8040-172 Screw  or 6SP-8154-123 Screw

600-2243-090 Coupler Head 

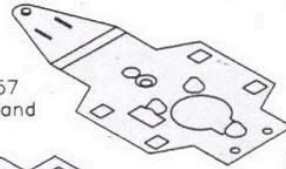
6SP-8154-120 Solder Lug 


600-0222-130 Centering Spring 

610-8100-057 Ladder Right Hand 

610-8100-058 Ladder Left Hand 


610-8100-030 Spring Retainer 





600-2243-087 Top Plate 

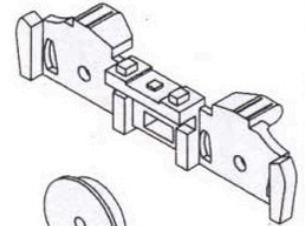
600-2243-091 Lower Bracket 


6SP-8154-084 Truck Side (Silver)
 6SP-8160-084 Truck Side (Black)


690-00SE-053 Eyelet 


600-2343-033 Plain Wheel with Flange 

600-8950-020 Self Lube Bearing 

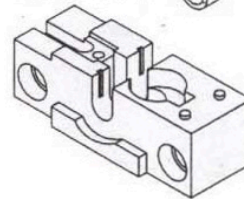


600-8950-020 Self Lube Bearing 


600-8950-020 Self Lube Bearing 


600-2343-033 Plain Wheel with Flange 

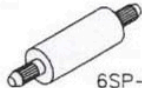
6SP-8154-121 Axle 



600-2367-073 Truck Frame

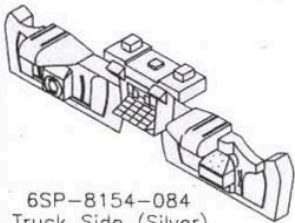
600-8950-035 Geared Drive Wheel 

600-8950-020 Self Lube Bearing 

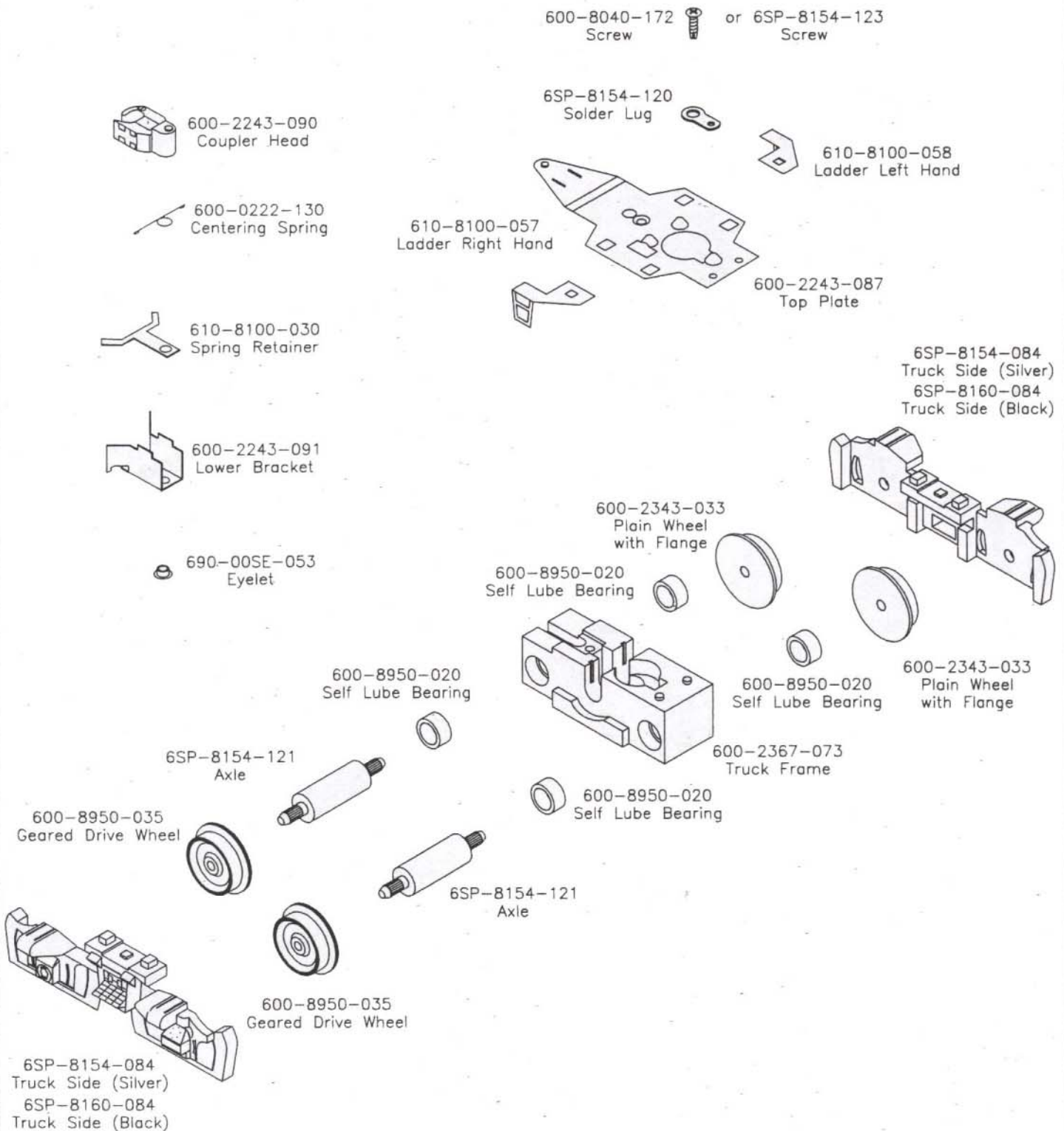
6SP-8154-121 Axle 

600-8950-035 Geared Drive Wheel 

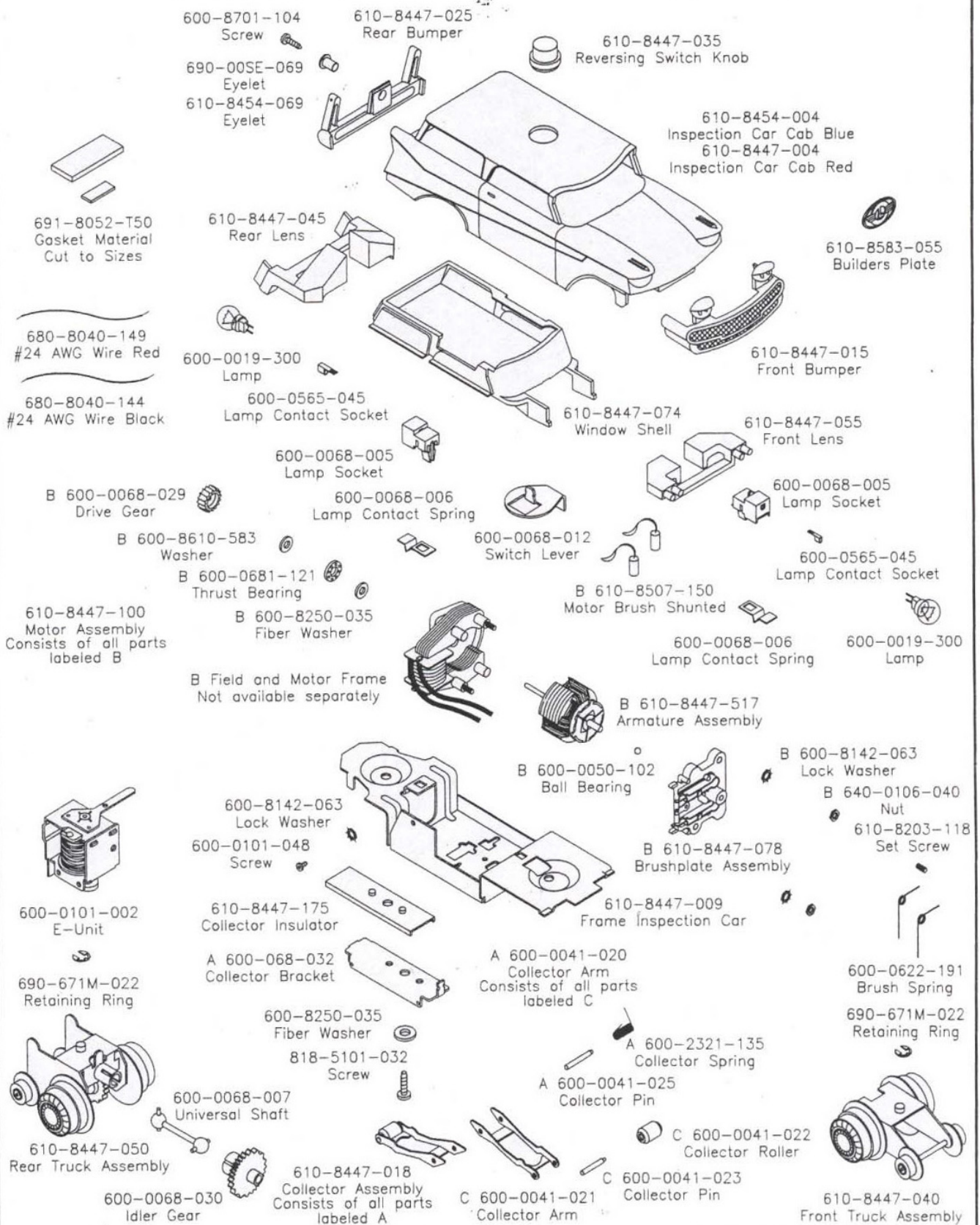
6SP-8154-084 Truck Side (Silver)
 6SP-8160-084 Truck Side (Black)



6SP-8156-590 Non-Powered Rear Truck Assembly Silver
 6SP-8162-590 Non-Powered Rear Truck Assembly Black

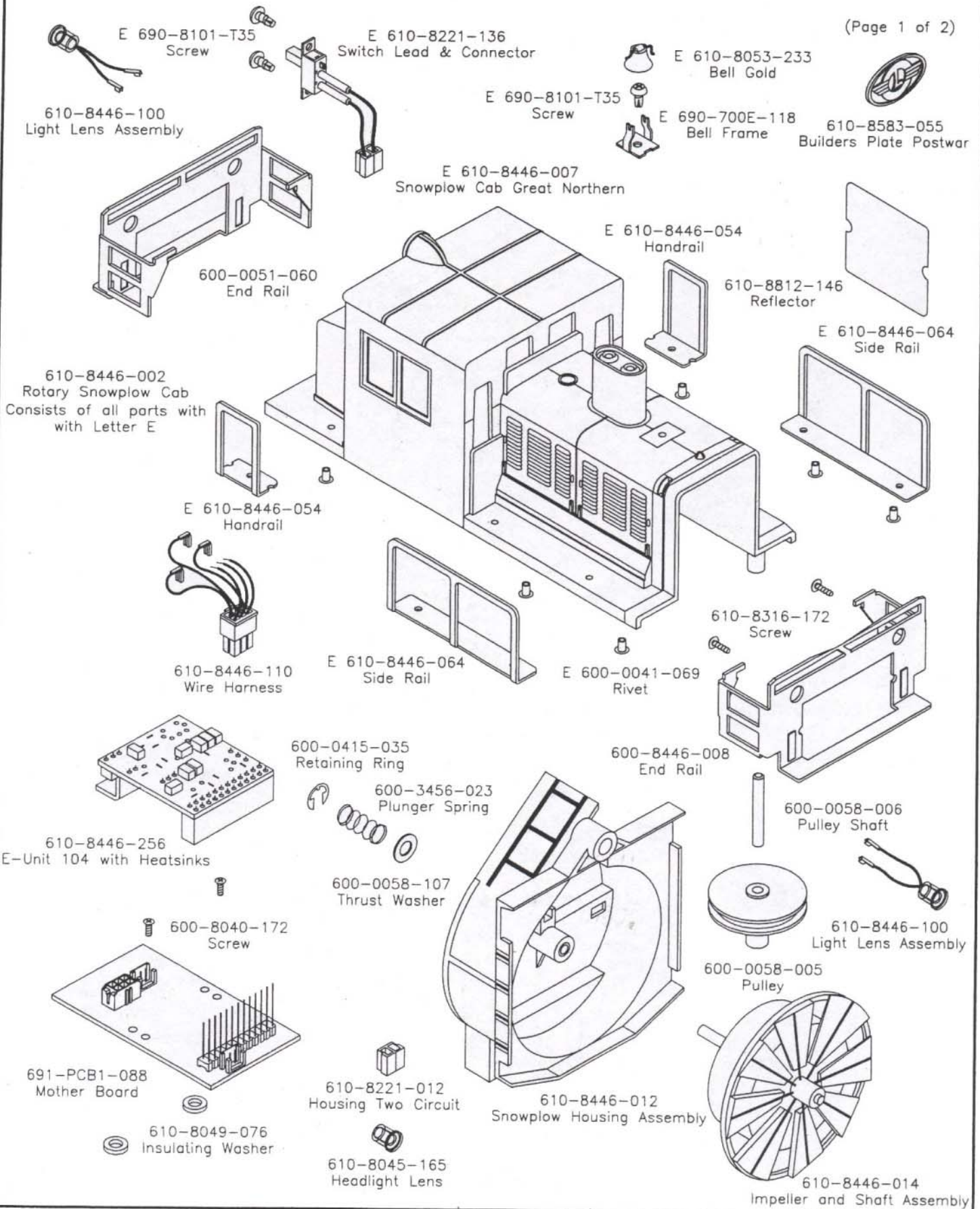


6-18454 ARCHIVE COLLECTION 68 BLUE INSPECTION CAR 6-18447 EXECUTIVE INSPECTION CAR

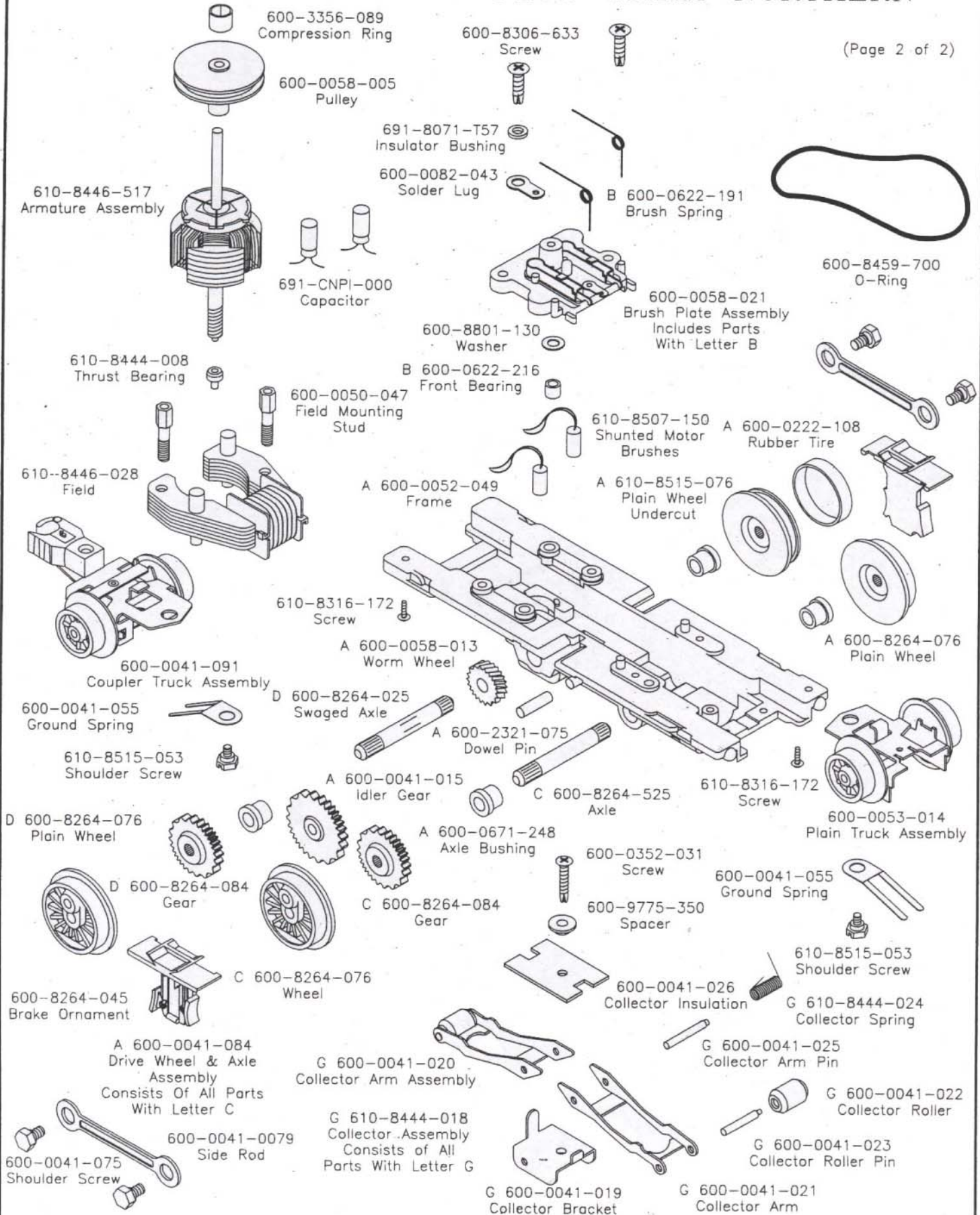


6-18446 ROTARY SNOWPLOW GREAT NORTHERN

(Page 1 of 2)

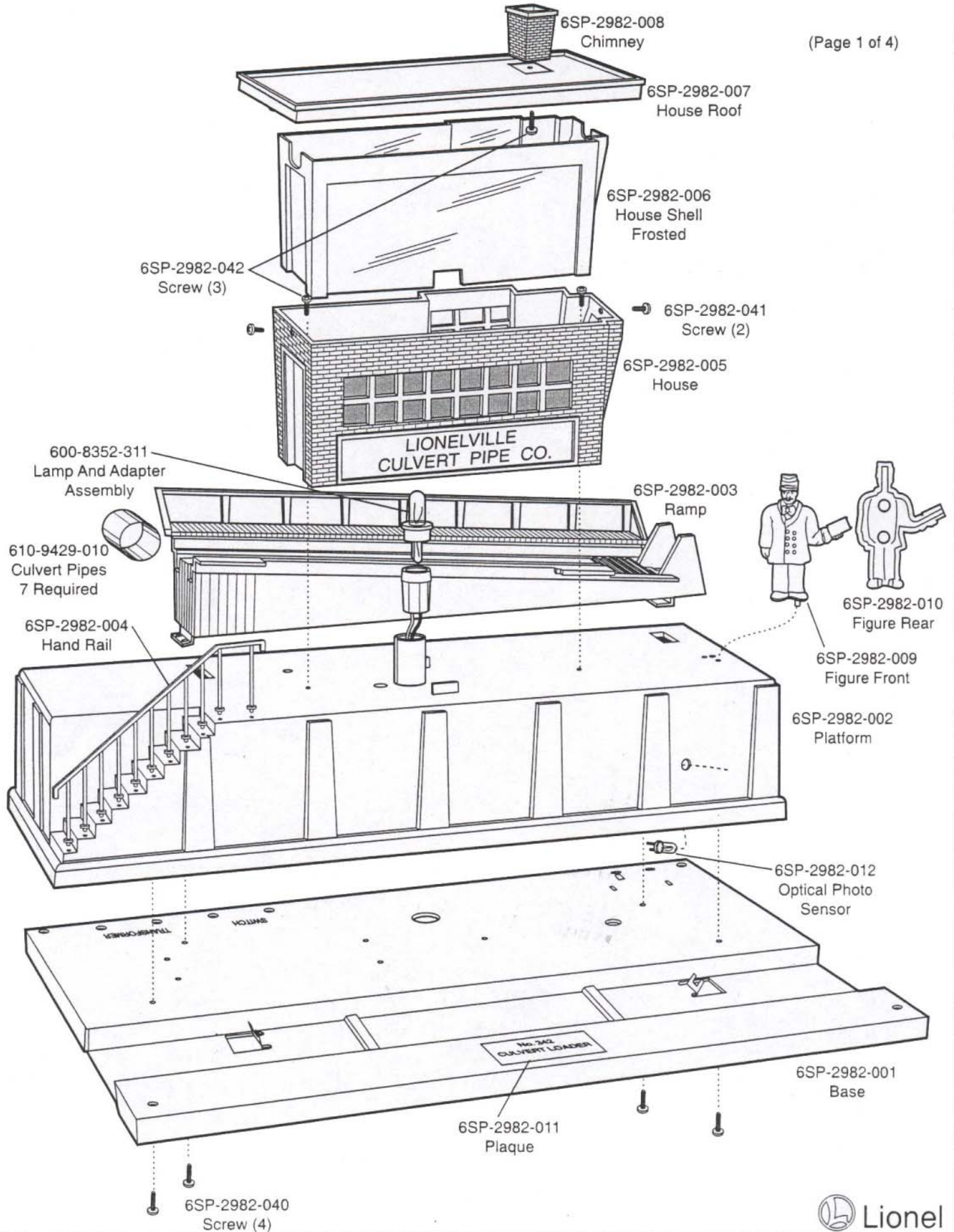


6-18446 ROTARY SNOWPLOW GREAT NORTHERN

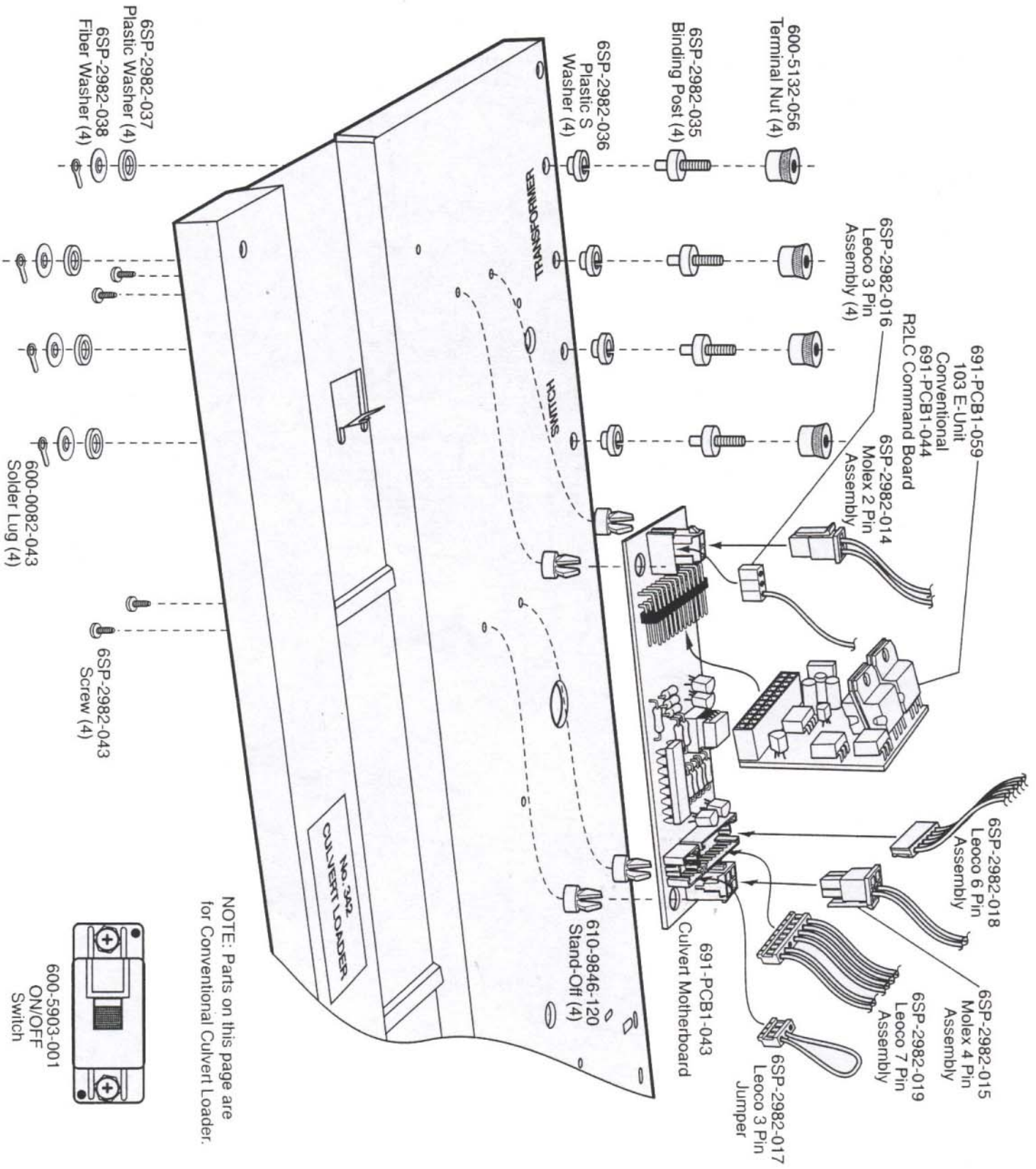


6-12982 CONVENTIONAL /6-22965 COMMAND 342 CULVERT LOADER

(Page 1 of 4)



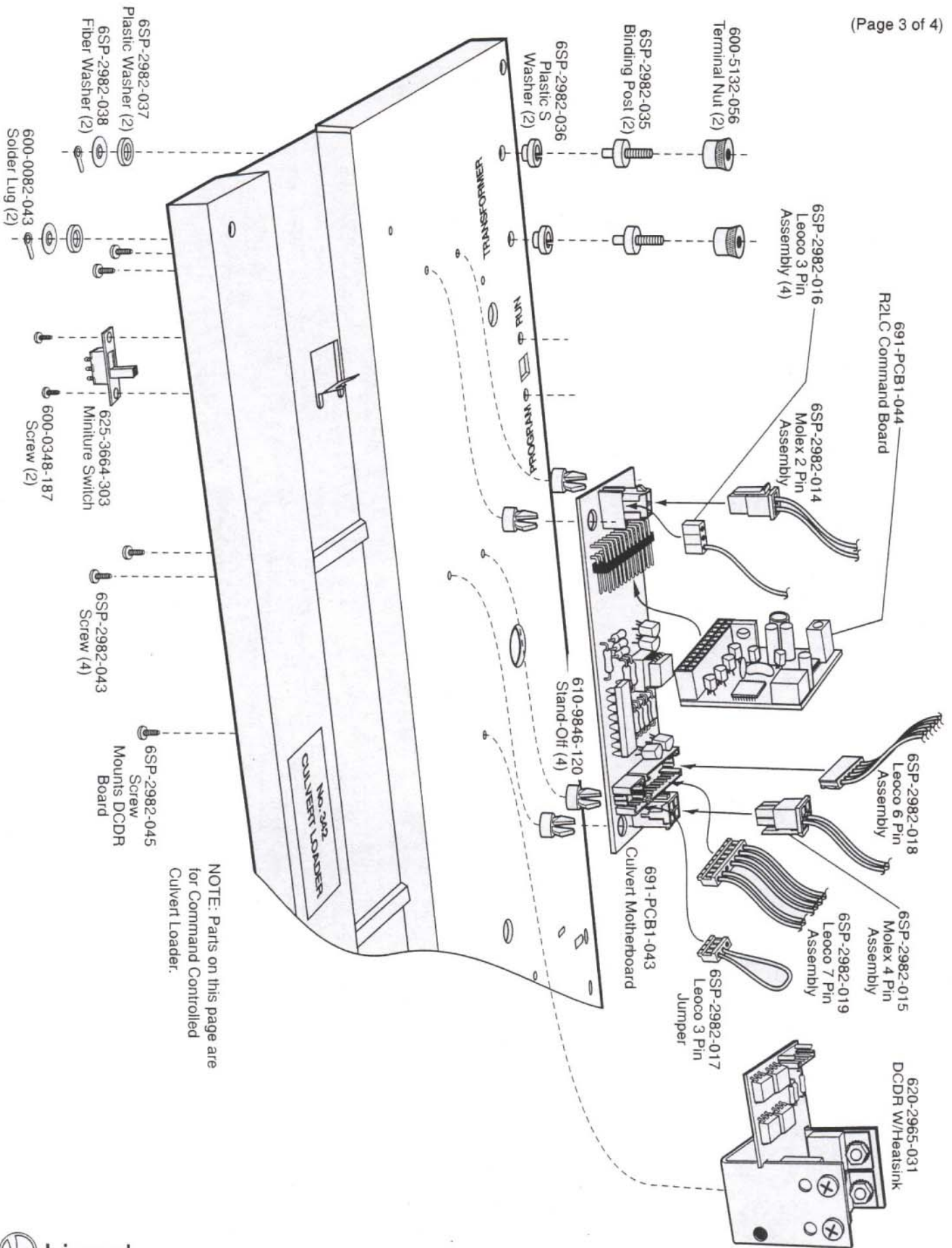
6-12982 CONVENTIONAL CULVERT LOADER



NOTE: Parts on this page are for Conventional Culvert Loader.



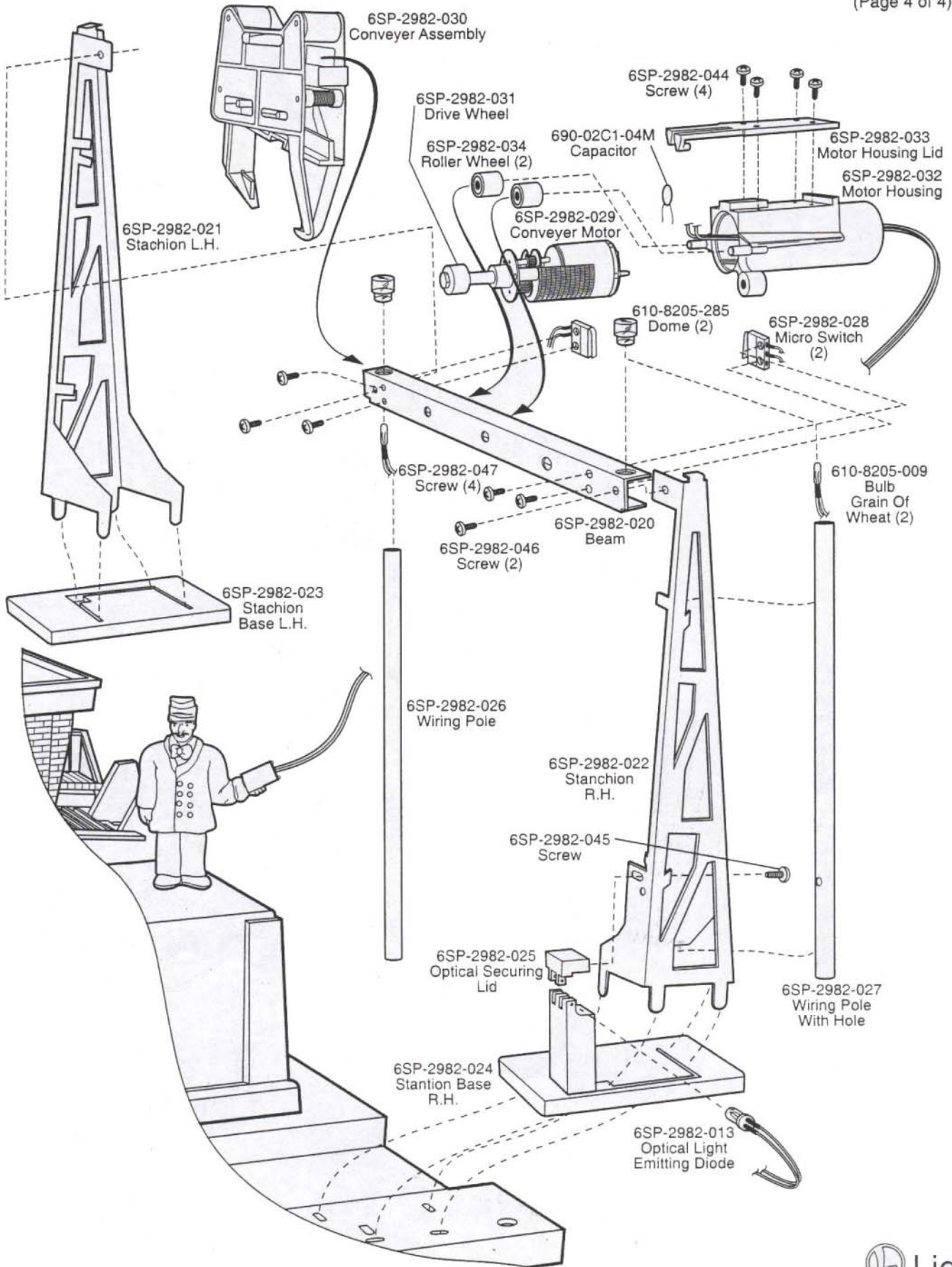
6-22965 COMMAND CULVERT LOADER



NOTE: Parts on this page are for Command Controlled Culvert Loader.

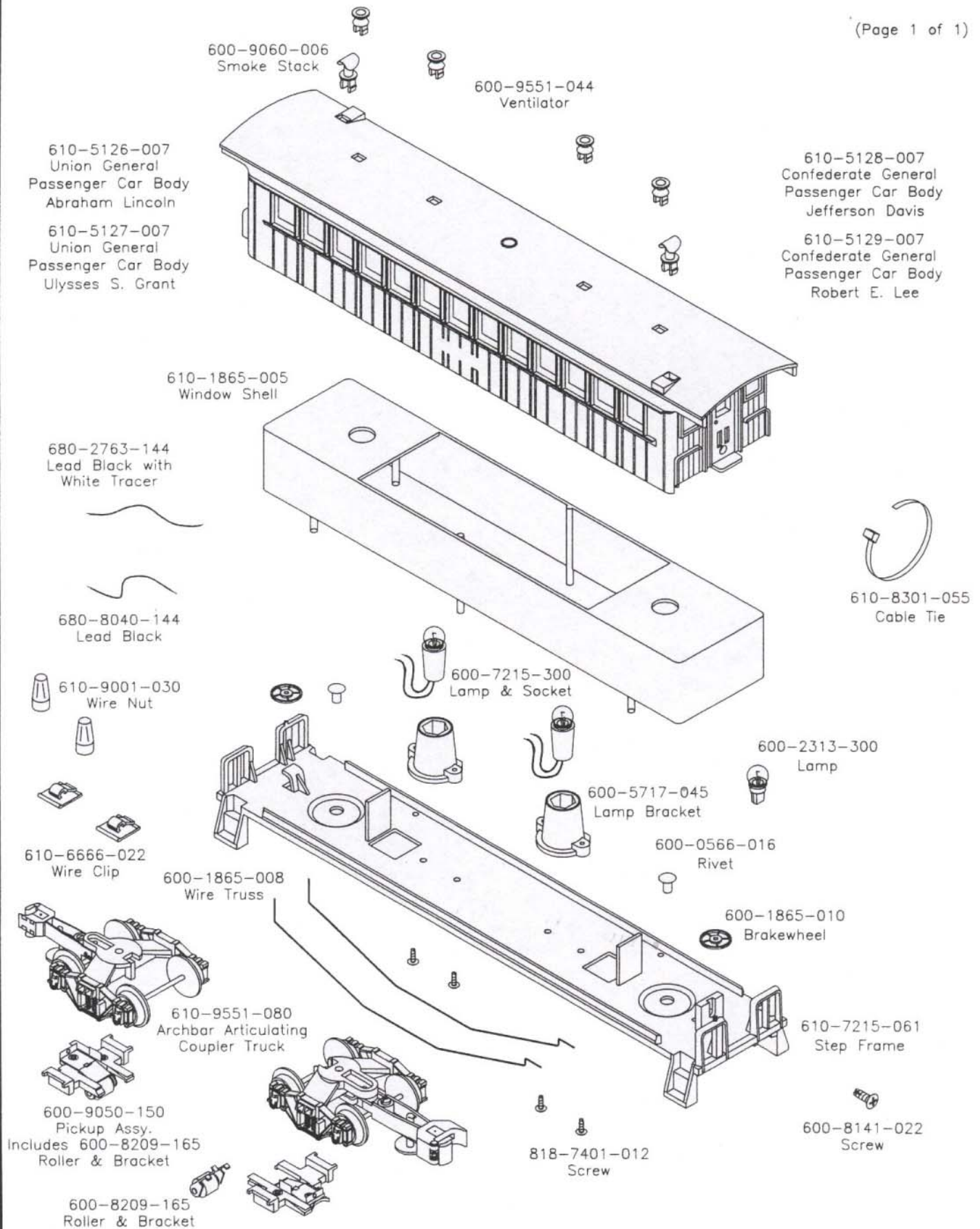
CULVERT LOADER

(Page 4 of 4)



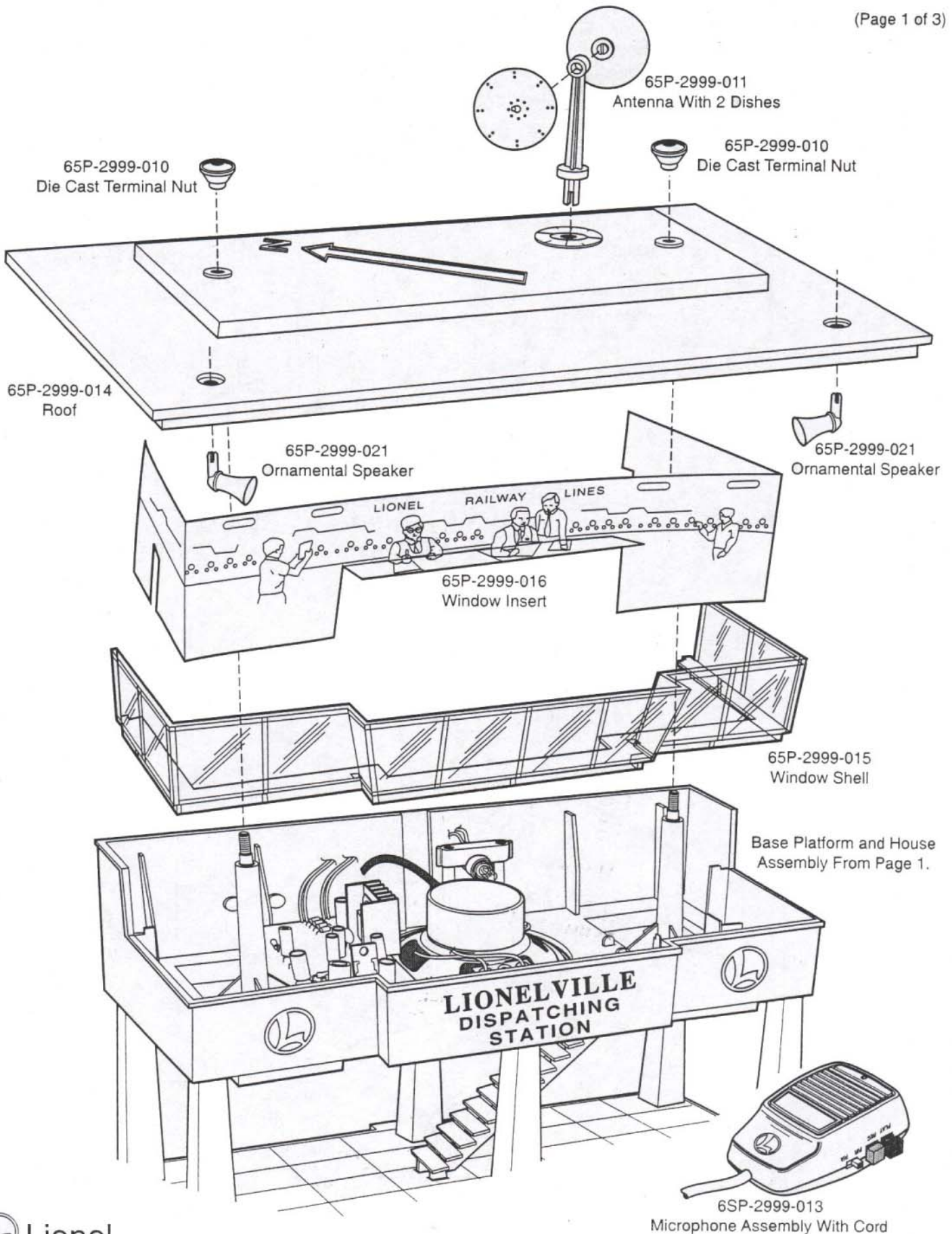
GENERAL PASSENGER CAR

(Page 1 of 1)



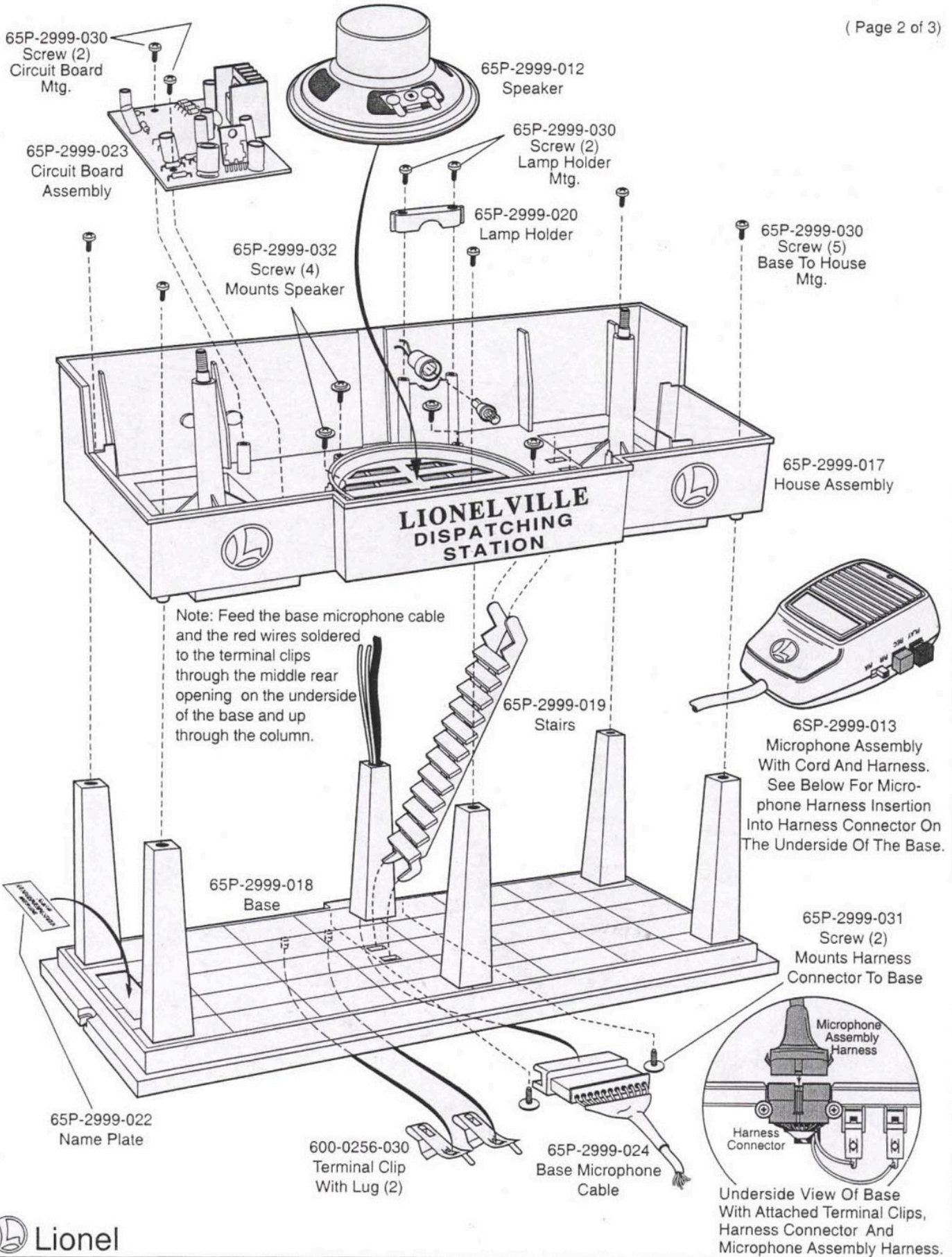
LIONELVILLE DISPATCHING STATION

(Page 1 of 3)



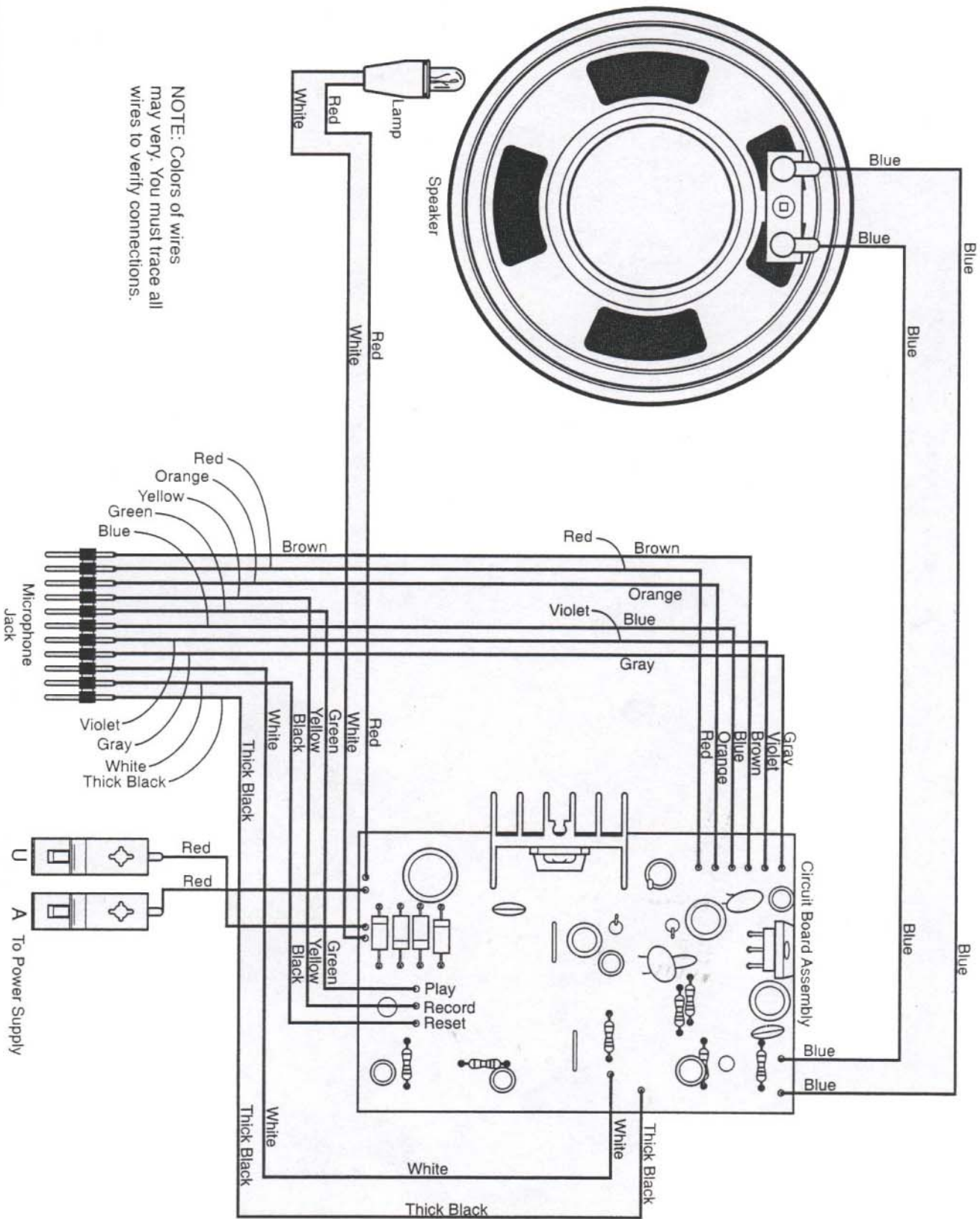
LIONELVILLE DISPATCHING STATION

(Page 2 of 3)



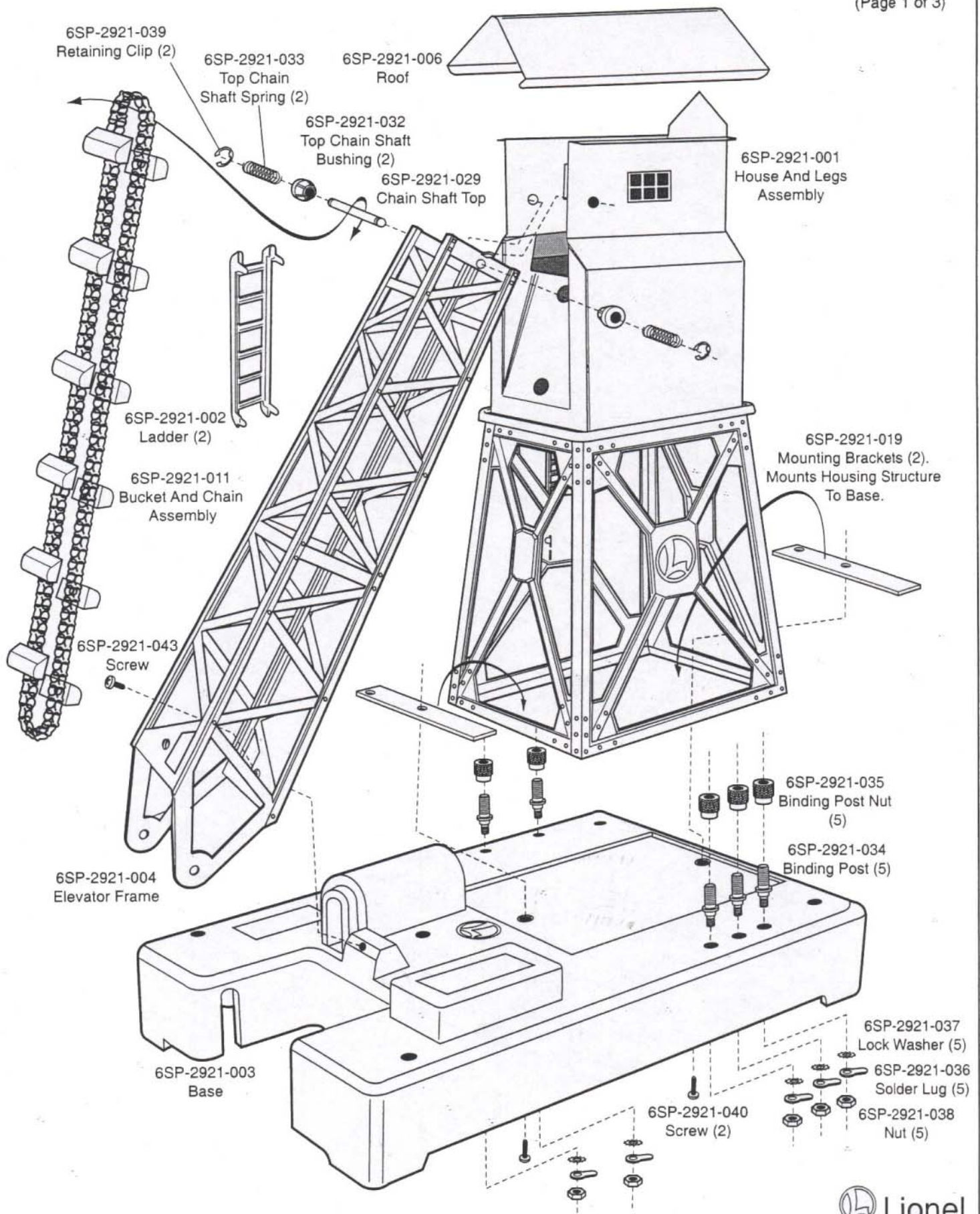
6-22999 LIONEL 465-99 SOUND DISPATCHING STATION PICTORIAL WIRING DIAGRAM

(Page 3 of 3)



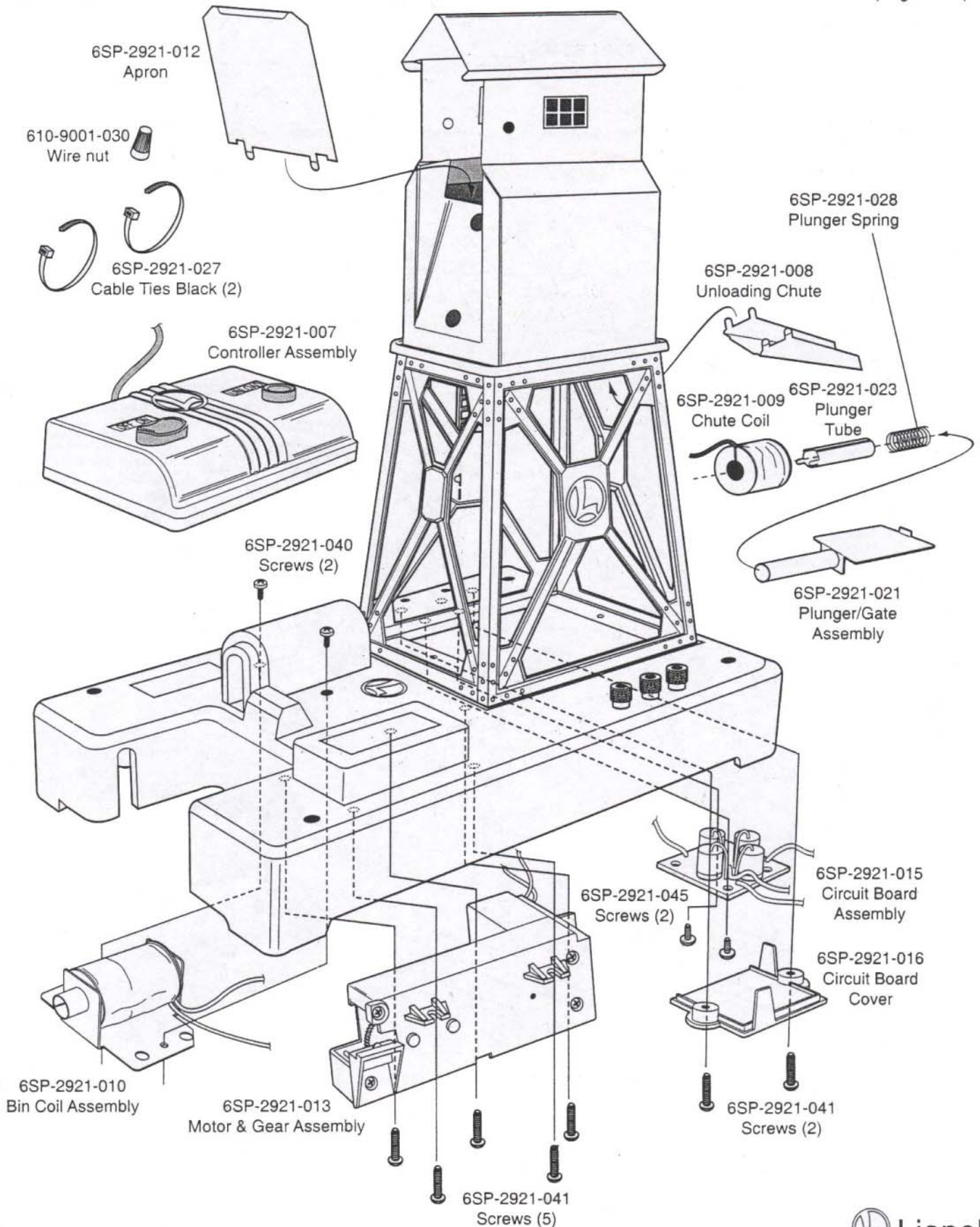
6-32921 NO. 97 ELECTRIC COAL ELEVATOR

(Page 1 of 3)



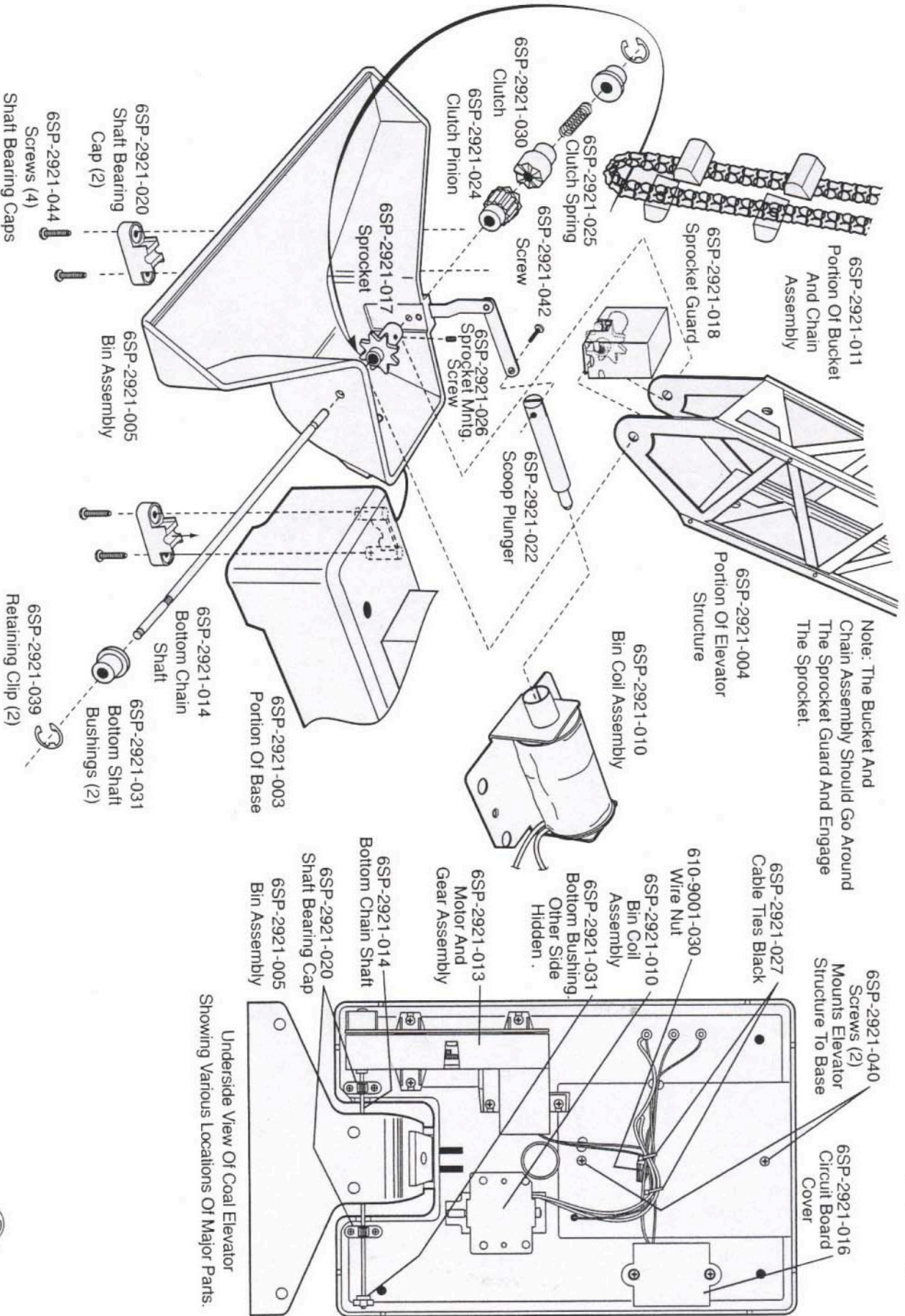
6-32921 NO. 97 ELECTRIC COAL ELEVATOR

(Page 2 of 3)

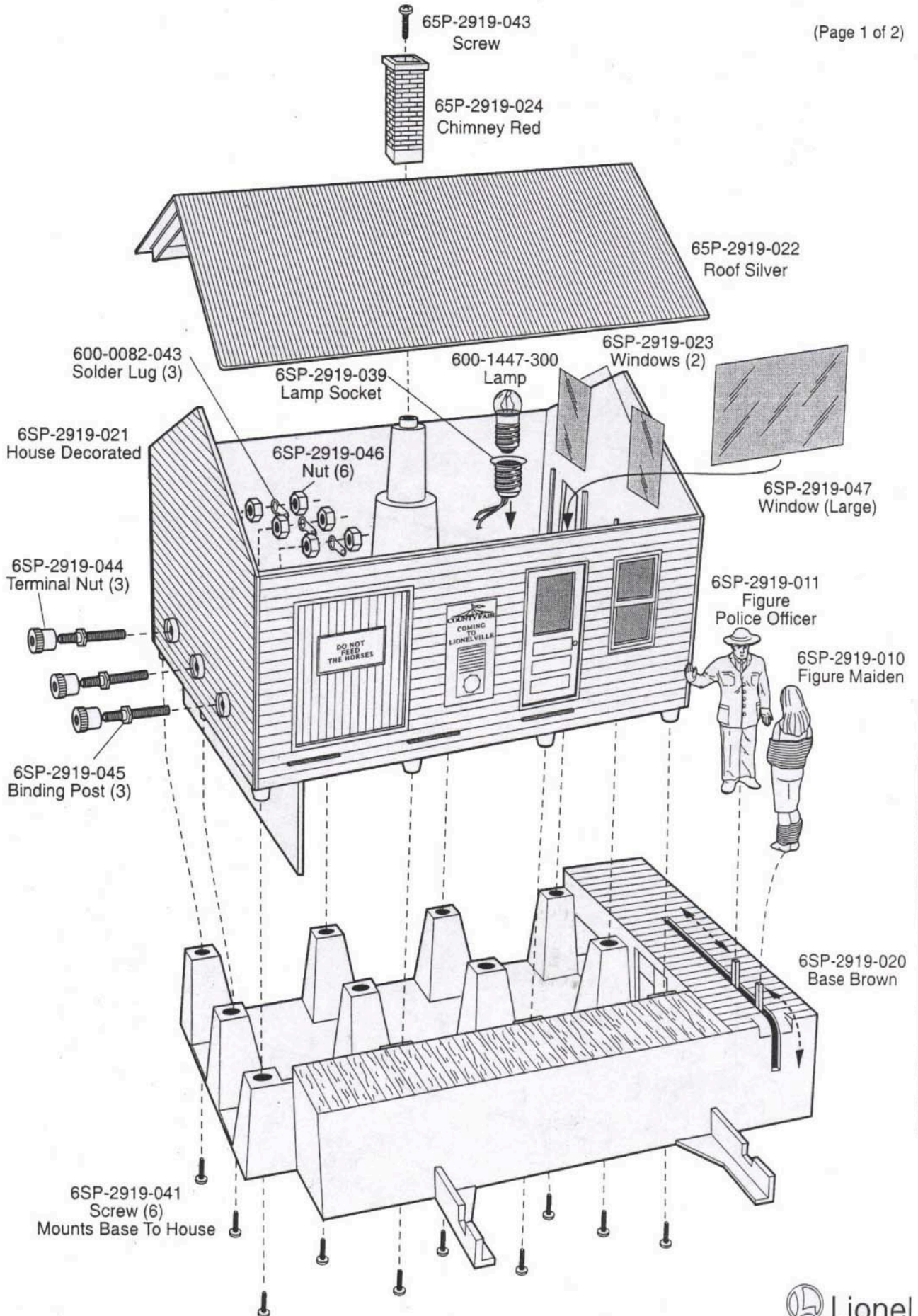


6-32921 NO. 97 ELECTRIC COAL ELEVATOR

(Page 3 of 3)



6-32919 ANIMATED MAIDEN RESCUE



6-32919 ANIMATED MAIDEN RESCUE

(Page 2 of 2)

