



\$10.00
#610-0046-001
ISSUED 7-2003

LIONEL

PARTS LIST AND PICTORIAL DIAGRAMS SUPPLEMENT 46

Produced by Lionel LLC®
50625 Richard W. Boulevard
Chesterfield, MI 48051-2493

CONTENTS

DIESEL ENGINE

COMMAND

RS-11

6-18596 DELAWARE & HUDSON
6-18598 NEW YORK CENTRAL
6-28522 MISSOURI PACIFIC
6-28528 NEW HAVEN
6-28521 SOUTHERN PACIFIC

STEAM LOCOMOTIVES

6-28070 SOUTHERN PACIFIC 4-4-2
ATLANTIC
6-28071 NORTHERN PACIFIC 4-4-2
ATLANTIC

CONVENTIONAL

4-6-4 HUDSON

ACCESSORIES

6-14004 "397" COAL LOADER
6-14157 "397" COAL LOADER
6-49805 GABE THE LAMPLIGHTER

DIE-CAST SEMI-SCALE CABOOSE

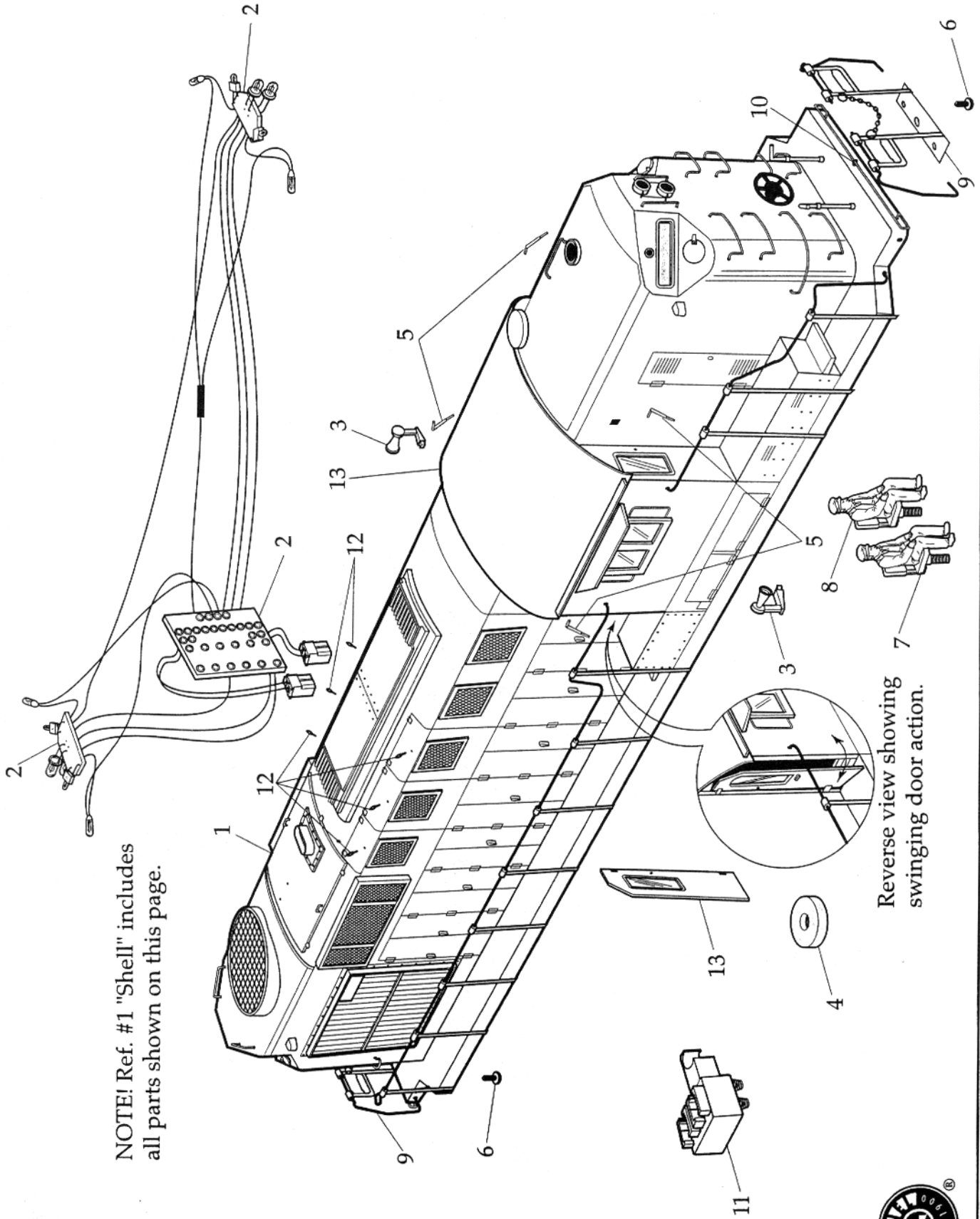
6-17635 100TH ANNIVERSARY GOLD
6-17636 NEW YORK CENTRAL
6-17637 QUICK VIA PEORIA

GENERAL WIRING DIAGRAMS

STEAM/TENDER

4-6-0 CAMELBACK STEAM
CONVENTIONAL
AND COMMAND CONTROL
4-6-0 CAMELBACK STEAM TENDER
WITH
RAILSOUNDS / SIGNAL SOUNDS

RS-11 ALCO CAB ASSEMBLY 6-18596 D&H, 6-18598 NYC, 6-28521 SP, 6-28522 MP, 6-28528 NH



NOTE! Ref. #1 "Shell" includes all parts shown on this page.



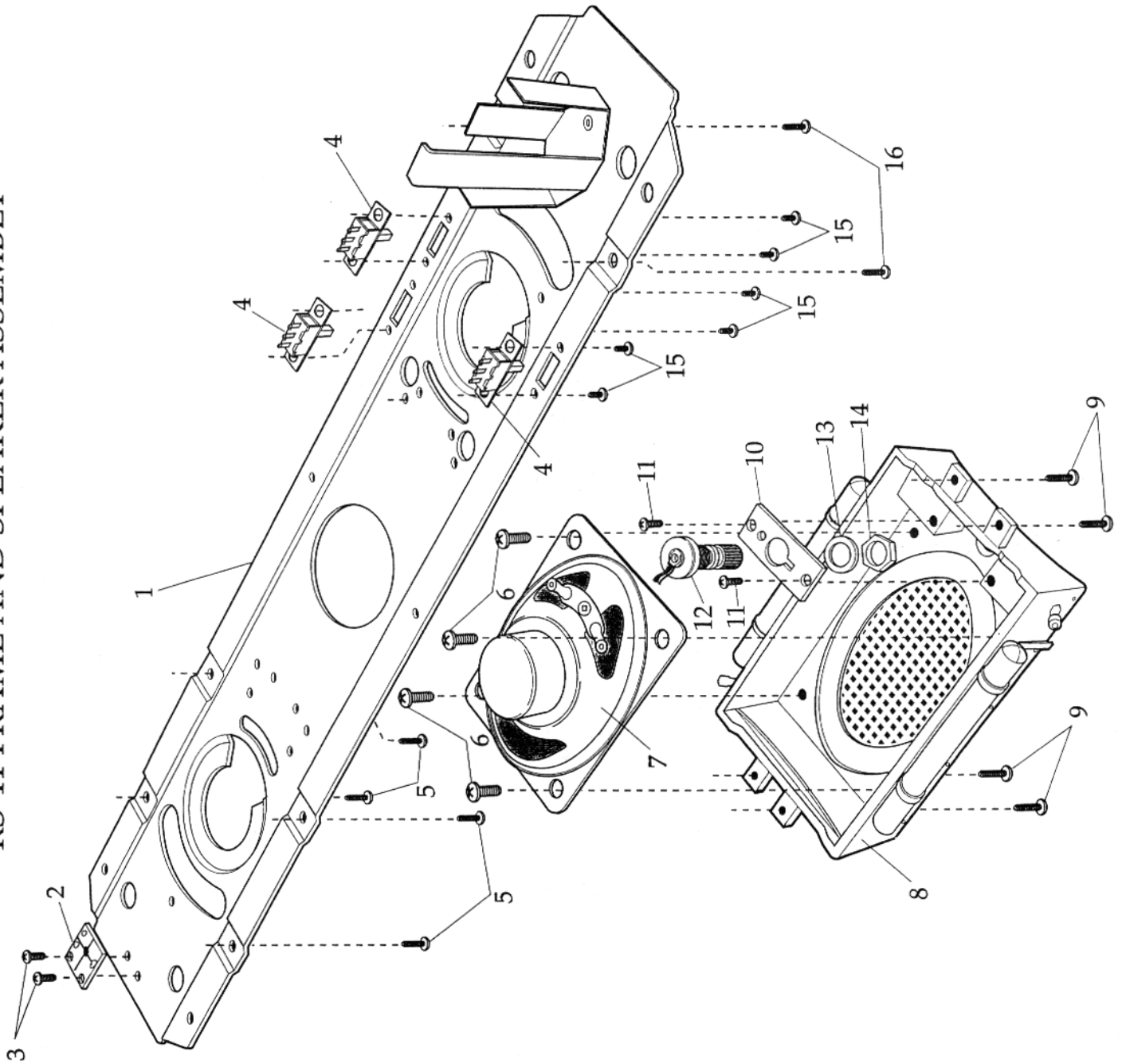
RS-11 ALCO CAB ASSEMBLY

REF NO	PART NUMBER	ROAD NAME	QUANTITY PER UNIT	DESCRIPTION
1		D&H	1*	SHELL COMPLETE D&H #5001
		NYC	1*	SHELL COMPLETE NYC #8010
	620-8521-007	SP	1	SHELL COMPLETE SP #5725
	620-8522-007	MP	1	SHELL COMPLETE MP #4611
	620-8528-007	NH	1*	SHELL COMPLETE NH#1406
2	610-8596-019	ALL	1	LAMP HARNESS W/CIRCUIT BOARD
3	610-8596-305	D&H	2*	HORN ASSEMBLY / BLUE
	610-8598-305	NYC,SP,NH	2	HORN ASSEMBLY / BLACK
	620-8522-305	MP	2	HORN ASSEMBLY / DARK BLUE
4	620-8521-201	ALL	1	SMOKE UNIT SEALER
5		D&H	4*	WINDSHIELD WIPER / BLUE
	620-8521-287	NYC,SP,NH	4	WINDSHIELD WIPER / BLACK
	620-8522-287	MP	4	WINDSHEILDWIPER / DARK BLUE
6		ALL	2*	SCREW ENDRAIL MOUNTING
7	620-8521-014	ALL	1	ENGINEER W/SEAT
8	620-8521-015	ALL	1	FIREMAN W/SEAT
9		D&H	2*	ENDRAIL W/ CHAIN
		NYC	2*	ENDRAIL W/CHAIN
	620-8521-236	SP	2	ENDRAIL W/CHAIN
	620-8522-236	MP	2	ENDRAIL W/CHAIN
	620-8528-236	NH	2	ENDRAIL W/CHAIN
10		D&H	2*	HANDRAIL STANTION /GREY
	620-8522-235	NYC,MP,NH	2	HANDRAIL STANTION / BLACK
	620-8521-235	SP	2	HANDRAIL STANTION / RED
11		ALL	1*	LAMP CONTACT ASSEMBLY
12	610-8596-005	D&H	6*	LIFT RING / BLUE
	620-8521-005	NYC,SP,NH	6	LIFT RING / BLACK
	620-8522-005	MP	6	LIFT RING / DARK "MOPAC" BLUE
13		D&H	2*	DOOR ASSEMBLY BLUE/GREY INCL. WIPER
	620-8521-112	NYC, SP	2	DOOR ASSEMBLY BLACK INCL. WIPER
	620-8522-112	MP	2	DOOR ASSEMBLY BLUE INCL. WIPER
	620-8528-112	NH	2	DOOR ASSEMBLY ORANGE INCL. WIPER

* PARTS NOT AVAILABLE



RS-11 FRAME AND SPEAKER ASSEMBLY



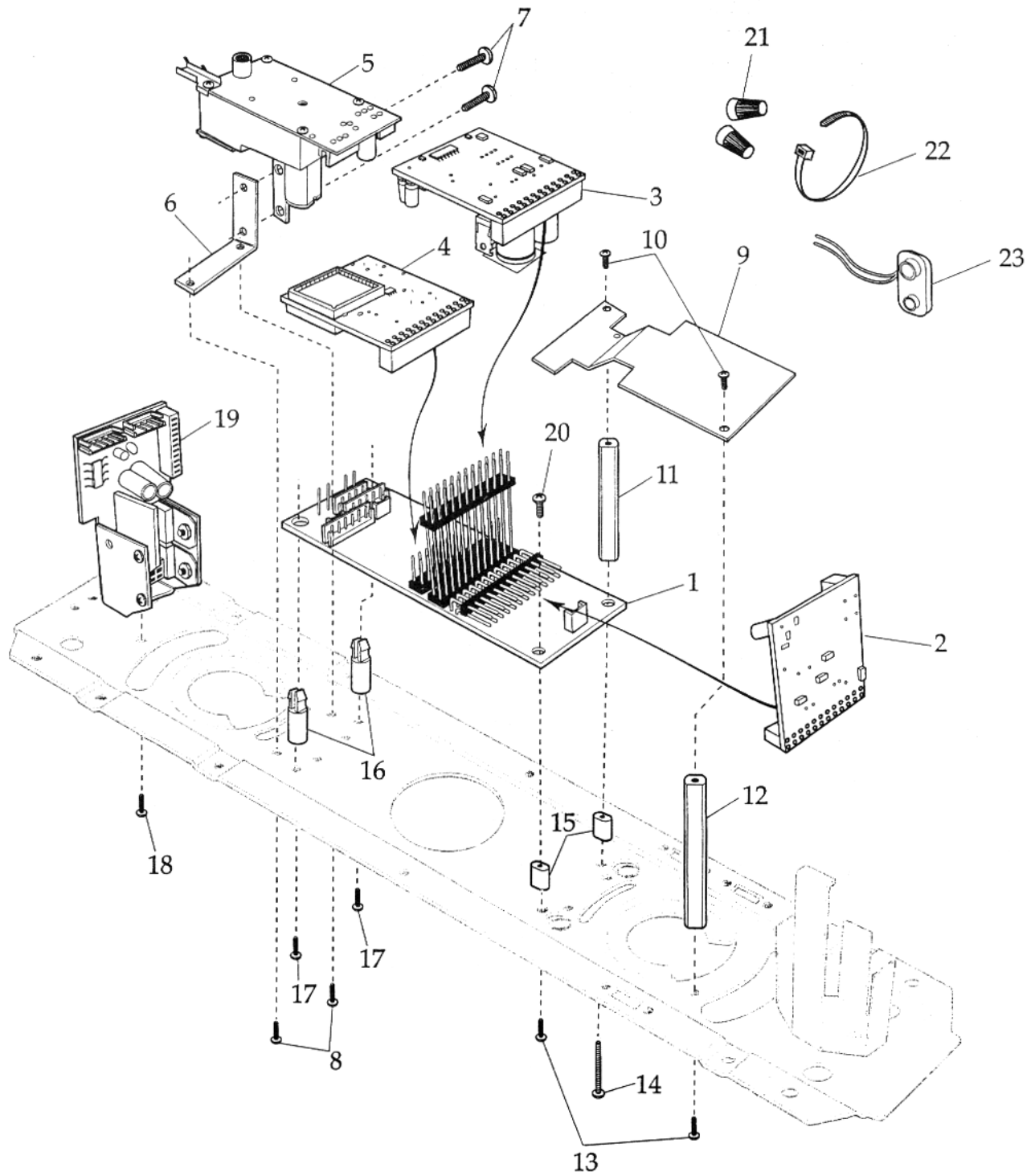
RS-11 ALCO FRAME AND SPEAKER ASSEMBLY

REF NO	PART NUMBER	ROAD NAME	QUANTITY PER UNIT	DESCRIPTION
1		D&H, NYC	1*	FRAME
		SP,MP,NH	1*	FRAME
2		ALL	1*	CONTACT PAD
3		ALL	2*	SCREW CONTACT PAD MOUNTING
4	610-8241-303	ALL	3	ON/OFF SWITCH
5	620-8521-700	ALL	4*	SCREW/ SHELL MOUNTING REAR
6		ALL	4*	SCREW/ SPEAKER MOUNTING
7	610-8056-536	ALL	1	SPEAKER
8		D&H	1*	FUEL TANK/ GREY
		NYC, SP,MP,NH	1*	FUEL TANK/ BLACK
9		ALL	4*	SCREW/ FUEL TANK MOUNTING
10		ALL	1*	POTENIOMETER BRACKET
11		ALL	2*	SCREW POTENIOMETER BRACKET MOUNTING
12	691-8040-T41	ALL	1	POTENTIOMETER
13	610-8007-170	ALL	1	WASHER/ POTENIOMETER MOUNTING
14	610-8007-180	ALL	1	NUT/ POTENIOMETER MOUNTING
15	610-8241-304	ALL	6	SCREW / SWITCH MOUNTING
16		ALL	2*	SCREW/ SHELL MOUNTING FRONT

***PARTS NOT AVAILABLE**



RS-11 CIRCUIT BOARD, ANTENNA AND SMOKE UNIT ASSEMBLY



RS-11 ALCO CIRCUIT BOARD, ANTENNA AND SMOKE UNIT ASSEMBLY

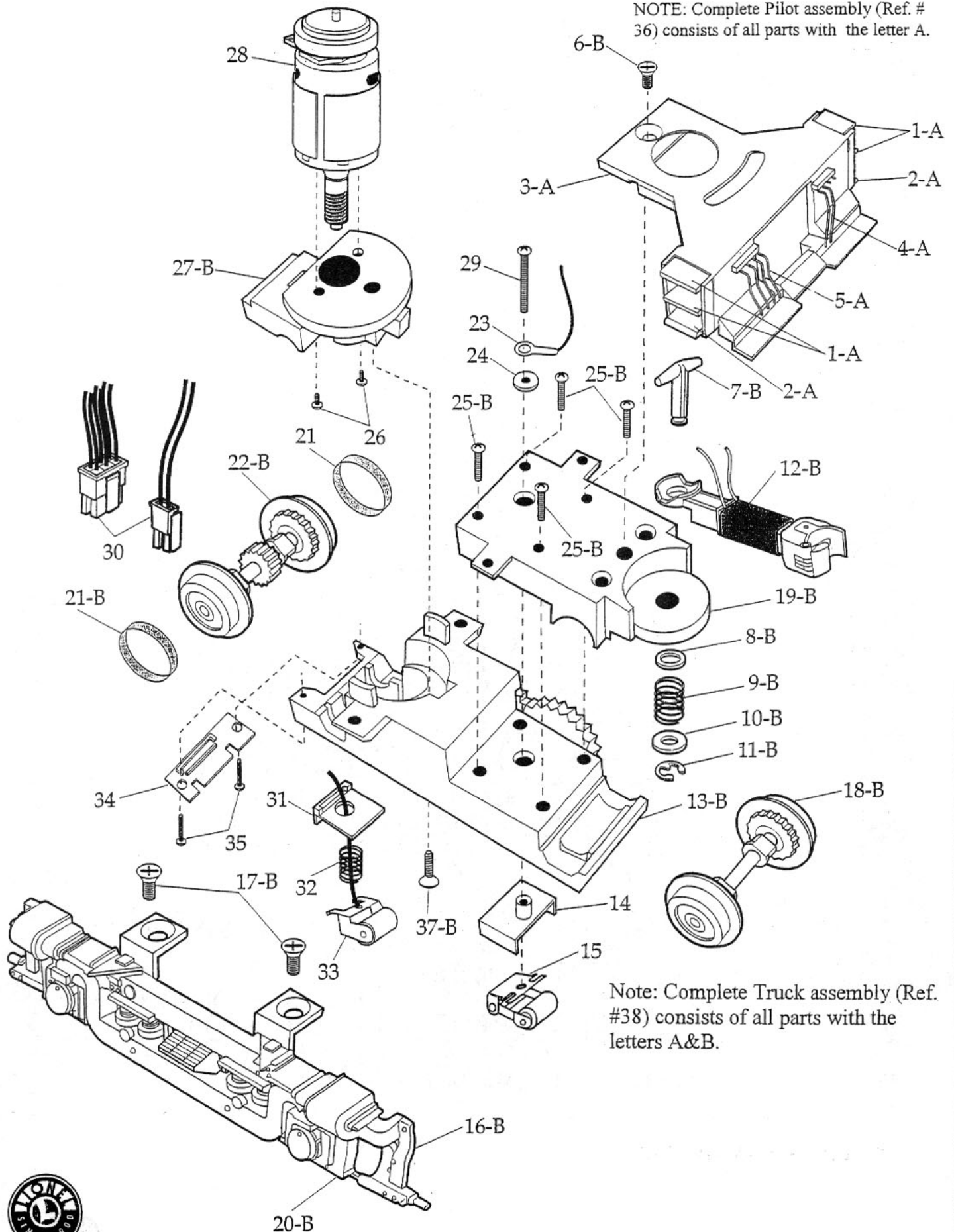
REF NO	PART NUMBER	ROAD NAME	QUANTITY PER UNIT	DESCRIPTION
1	691-PCB1-11D	ALL	1	MOTHERBOARD
2	691-R2LC-C08	ALL	1	R2LC COMMAND BOARD
3	691-PCB1-04D	ALL	1	RAILSOUND POWER SUPPLY BOARD
4	691-PCB1-0C5	D&H	1	RAILSOUND BOARD D&H #5001
	691-PCB1-0C6	NYC	1	RAILSOUND BOARD NYC #8010
	691-PCB1-12F	SP	1	RAILSOUND BOARD SP #5725
	691-PCB1-130	MP	1	RAILSOUND BOARD MP #4611
	691-RS40-00A	NH	1	RAILSOUND BOARD NH # 1406
5	610-8057-200	ALL	1	SMOKE UNIT
6		ALL	1*	MOUNTING BRACKET SMOKE UNIT TO FRAME
7		ALL	2*	SCREW/ SMOKE UNIT TO BRACKET
8		ALL	2*	SCREW/ MOUNTING BRACKET TO FRAME
9		ALL	1*	ANTENNA
10		ALL	2*	SCREW / ANTENNA MOUNTING
11		ALL	1*	STANDOFF / ANTENNA MOUNTING SHORT
12		ALL	1*	STANDOFF / ANTENNA MOUNTING LONG
13		ALL	2*	SCREW/ STANDOFF MOUNTING
14		ALL	1*	SCREW/ STANDOFF MOUNTING
15		ALL	2*	SPACER/ MOTHERBOARD
16		ALL	2*	STANDOFF/ MOTHERBOARD
17		ALL	2*	SCREW/ MOTHERBOARD STANDOFF MOUNTING
18		ALL	1*	SCREW/ DCDRS BOARD MOUNTING
19	691-DCDS-FM3	ALL	1	DCDRS BOARD (NOTE HEAT SINK NOT INCL)
20		ALL	1*	SCREW/ MOTHERBOARD MOUNTING
21	610-9001-030	ALL	2	WIRE NUT
22	610-8301-055	ALL	1	WIRE TIE
23	620-8521-800	ALL	1*	WIRE HARNESS SET

* PARTS NOT AVAILABLE



RS-11 ALCO FRONT MOTOR TRUCK ASSEMBLY

NOTE: Complete Pilot assembly (Ref. # 36) consists of all parts with the letter A.



Note: Complete Truck assembly (Ref. #38) consists of all parts with the letters A&B.



RS-11 ALCO FRONT TRUCK ASSEMBLY

REF NO	PART NUMBER	ROAD NAME	QUANTITY PER UNIT	DESCRIPTION
1		D&H	4*	PILOT STEP-TOP / MIDDLE GREY
		NYC	4*	PILOT STEP -TOP/ MIDDLE YELLOW
	620-8521-106	SP,MP,NH	4	PILOT STEP-TOP/ MIDDLE BLACK
2		D&H	2*	PILOT STEP-BOTTOM GREY
		NYC	2*	PILOT STEP-BOTTOM YELLOW
	620-8521-105	SP,MP,NH	2	PILOT STEP-BOTTOM BLACK
3		D&H	1*	PILOT D/C GREY FRAME ONLY
		NYC	1*	PILOT D/C BLACK/WHITE FRAME ONLY
		SP,MP,NH	1*	PILOT D/C BLACK FRAME ONLY
4	6SP-8590-024	ALL	1	(2) HOSE ASSEMBLY
5	6SP-8590-023	ALL	1	(4) HOSE ASSEMBLY
6		ALL	1*	SCREW PILOT MOUNTING
7		ALL	1*	COUPLER HEAD SHAFT
8		ALL	1*	WASHER
9		ALL	1*	SPRING
10		ALL	1*	FIBER WASHER
11		ALL	1*	RETAINING RING
12	610-8855-550	ALL	1	COIL COUPLER
13		D&H, NYC	1*	FRONT TRUCK FRAME D/C BOTTOM
		SP,MP,NH	1*	FRONT TRUCK FRAME D/C BOTTOM
14	620-8521-184	ALL	1	COLLECTOR INSULATOR
15	610-8596-183	ALL	1	COLLECTOR ASSEMBLY/FRONT
16		D&H	1*	RIGHT HAND TRUCK SIDE GREY
		NYC, SP, MP, NH	1*	RIGHT HAND TRUCK SIDE BLACK
17		ALL	4*	SCREW TRUCKSIDE MOUNTING
18		ALL	1*	FRONT WHEEL & AXLE ASSEMBLY
19		ALL	1*	FRONT TRUCK FRAME D/C TOP
20		D&H	1*	LEFT HAND TRUCKSIDE GREY
		NYC, SP, MP, NH	1*	LEFT HAND TRUCKSIDE BLACK
21	610-8596-206	ALL	2	TRACTION TIRE
22	610-8596-064	ALL	1	WHEEL/AXLE ASSEMBLY W/WORMGEAR, UNDERCUT WHEELS
23	600-0082-043	ALL	1	SOLDER LUG
24		ALL	1*	INSULATOR / COLLECTOR MOUNTING SCREW
25		ALL	4*	SCREW / TRUCK FRAME TOP MOUNTING
26		ALL	2*	SCREW / MOTOR TO MOTOR MOUNT
27		D&H, NYC	1*	MOTOR MOUNTING PLATE

* PARTS NOT AVAILABLE



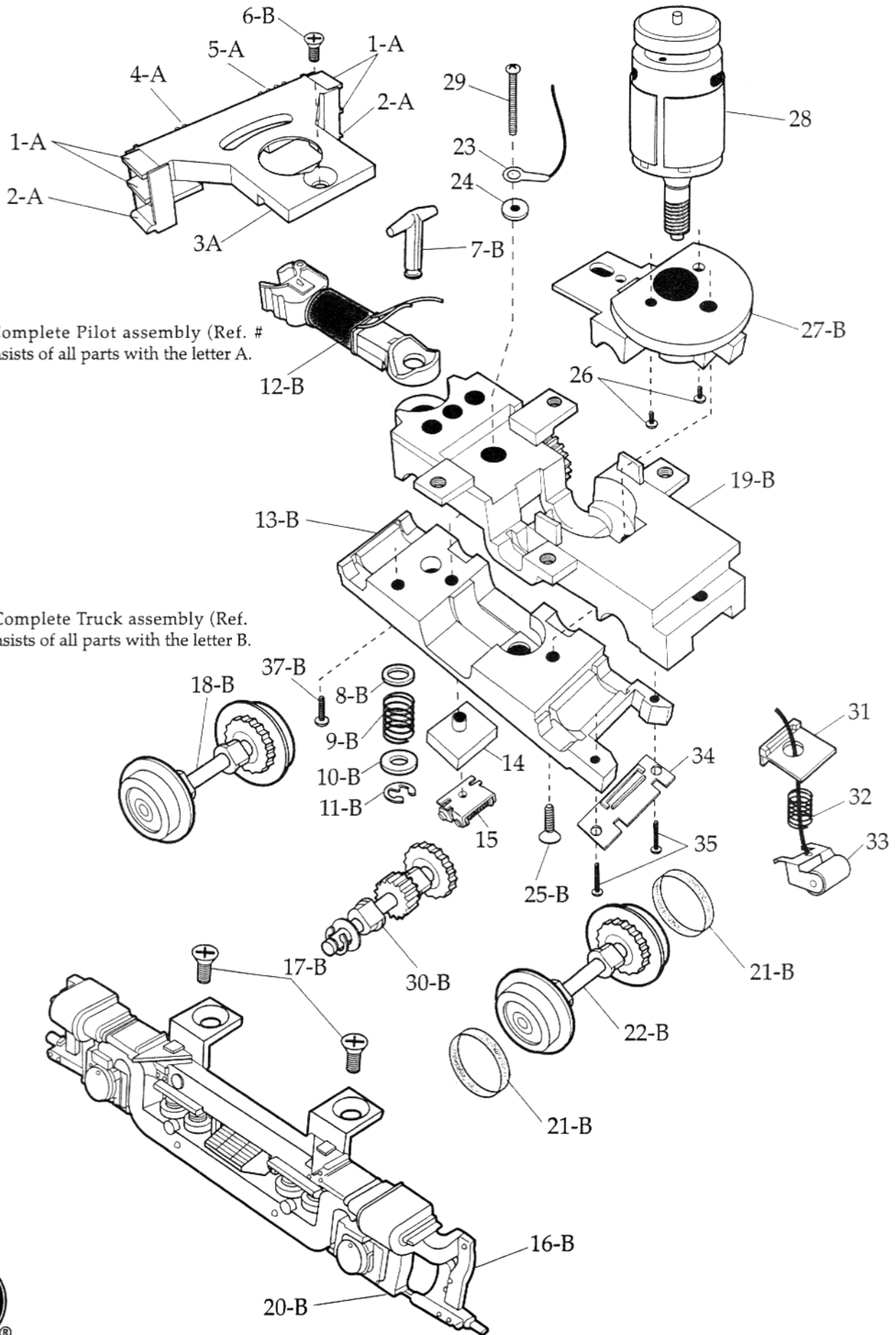
RS-11 ALCO FRONT TRUCK ASSEMBLY

REF NO	PART NUMBER	ROAD NAME	QUANTITY PER UNIT	DESCRIPTION
		SP,MP,NH	1*	MOTOR MOUNTING PLATE
28	620-8521-101	ALL	1	MOTOR / FRONT W/SENSOR
29		ALL	1*	SCREW / COLLECTOR MOUNTING
30	620-8521-800	ALL	1*	WIRE HARNESS SET
31	630-8148-093	SP,MP,NH	1	INSULATOR / REAR COLLECTOR
32	630-8148-038	SP,MP,NH	1	SPRING / REAR COLLECTOR
33	620-8521-183	SP,MP,NH	1	COLLECTOR ASSEMBLY / REAR
34	620-8521-185	SP,MP,NH	1	COLLECTOR INSULATOR PLATE /REAR
35	620-8521-701	SP,MP,NH	2	SCREW / INSULATOR PLATE MOUNTING
36	6SP-8591-011	D&H	1	PILOT COMPLETE GREY
		NYC	1*	PILOT COMPLETE BLACK/WHITE
	620-8521-103	SP,MP,NH	1	PILOT COMPLETE BLACK
37		ALL	1*	SCREW / TRUCK TO MOTOR MOUNTING
38		D&H	1*	MOTOR TRUCK ASSEMBLY FRONT GREY
		NYC	1*	MOTOR TRUCK ASSEMBLY FRONT BLACK/WHITE
	620-8521-570	SP,MP,NH	1	MOTOR TRUCK ASSEMBLY FRONT BLACK

***PARTS NOT AVAILABLE**



RS-11 ALCO REAR MOTOR TRUCK ASSEMBLY



RS-11 ALCO REAR TRUCK ASSEMBLY

REF NO	PART NUMBER	ROAD NAME	QUANTITY PER UNIT	DESCRIPTION
1		D&H	4*	PILOT STEP-TOP / MIDDLE GREY
		NYC	4*	PILOT STEP-TOP / MIDDLE YELLOW
	620-8521-106	SP,MP,NH	4	PILOT STEP-TOP / MIDDLE BLACK
2		D&H	2*	PILOT STEP-BOTTOM GREY
		NYC	2*	PILOT STEP-BOTTOM YELLOW
	620-8521-105	SP,MP,NH	2	PILOT STEP-BOTTOM BLACK
3		D&H	1*	PILOT D/C GREY FRAME ONLY
		NYC	1*	PILOT D/C BLACK/WHITE FRAME ONLY
		SP,MP,NH	1*	PILOT D/C BLACK FRAME ONLY
4	6SP-8590-024	ALL	1	(2) HOSE ASSEMBLY
5	6SP-8590-023	ALL	1	(4) HOSE ASSEMBLY
6		ALL	1*	SCREW /PILOT MOUNTING
7		ALL	1*	COUPLER HEAD SHAFT
8		ALL	1*	WASHER
9		ALL	1*	SPRING
10		ALL	1*	FIBER WASHER
11		ALL	1*	RETAINING RING
12	610-8855-550	ALL	1	COIL COUPLER
13		D&H, NYC	1*	REAR TRUCK FRAME D/C BOTTOM
		SP,MP,NH	1*	REAR TRUCK FRAME D/C BOTTOM
14	620-8521-184	ALL	1	COLLECTOR INSULATOR
15	610-8596-183	ALL	1	COLLECTOR ASSEMBLY /FRONT
16		D&H	1*	RIGHT HAND TRUCKSIDE GREY
		NYC,SP,MP,NH	1*	RIGHT HAND TRUCKSIDE BLACK
17		ALL	4*	SCREW TRUCKSIDE MOUNTING
18		ALL	1*	FRONT WHEEL & AXLE ASSEMBLY
19		ALL	1*	REAR TRUCK FRAME D/C TOP
20		D&H	1*	LEFT HAND TRUCKSIDE GREY
		NYC,SP NP,NH	1*	LEFT HAND TRUCKSIDE BLACK
21	610-8596-206	ALL	2	TRACTION TIRE
22		ALL	1*	WHEEL / AXLE ASSEMBLY UNDERCUT
23	600-0082-043	ALL	1	SOLDER LUG
24		ALL	1*	INSULATOR / COLLECTOR MOUNTING SCREW
25		ALL	1*	SCREW / TRUCK TO MOTOR MOUNTING
26		ALL	2*	SCREW / MOTOR TO MOTOR MOUNT
27		D&H, NYC	1*	MOTOR MOUNTING PLATE
		SP,MP,NH	1*	MOTOR MOUNTING PLATE
28	620-8521-100	ALL	1	MOTOR / REAR

*PARTS NOT AVAILABLE



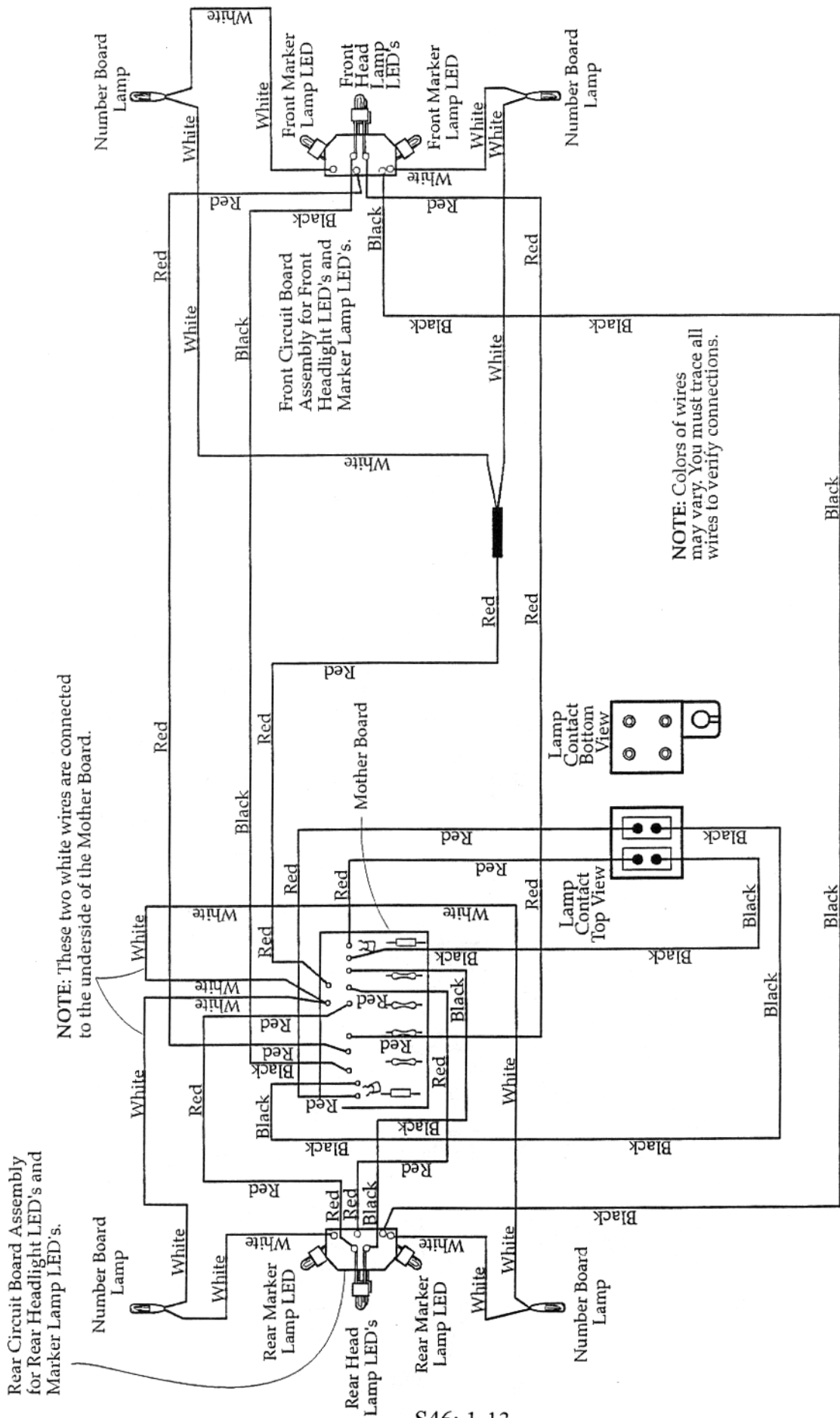
RS-11 ALCO REAR TRUCK ASSEMBLY

REF NO	PART NUMBER	ROAD NAME	QUANTITY PER UNIT	DESCRIPTION
29		ALL	1*	SCREW / COLLECTOR MOUNTING
30	620-8521-214	ALL	1	WORM GEAR ASSEMBLY
31	630-8148-093	SP,MP,NH	1	INSULATOR / REAR COLLECTOR
32	630-8148-038	SP,MP,NH	1	SPRING / REAR COLLECTOR
33	620-8521-183	SP,MP,NH	1	COLLECTOR ASSEMBLY / REAR
34	620-8521-185	SP,MP,NH	1	COLLECTOR INSULATOR PLATE / REAR
35	620-8521-701	SP,MP,NH	2	SCREW / INSULATOR PLATE MOUNTING
36	6SP-8591-011	D&H	1	PILOT COMPLETE GREY
		NYC	1*	PILOT COMPLETE BLACK/WHITE
		SP,MP,NH	1	PILOT COMPLETE BLACK
37		ALL	1*	SCREW / TRUCK FRAME TOP MOUNTING
38		D&H	1*	MOTOR TRUCK ASSEMBLY / REAR GREY
		NYC	1*	MOTOR TRUCK ASSEMBLY / REAR BLACK/WHITE
	620-8521-590	SP,MP,NH	1	MOTOR TRUCK ASSEMBLY / REAR BLACK

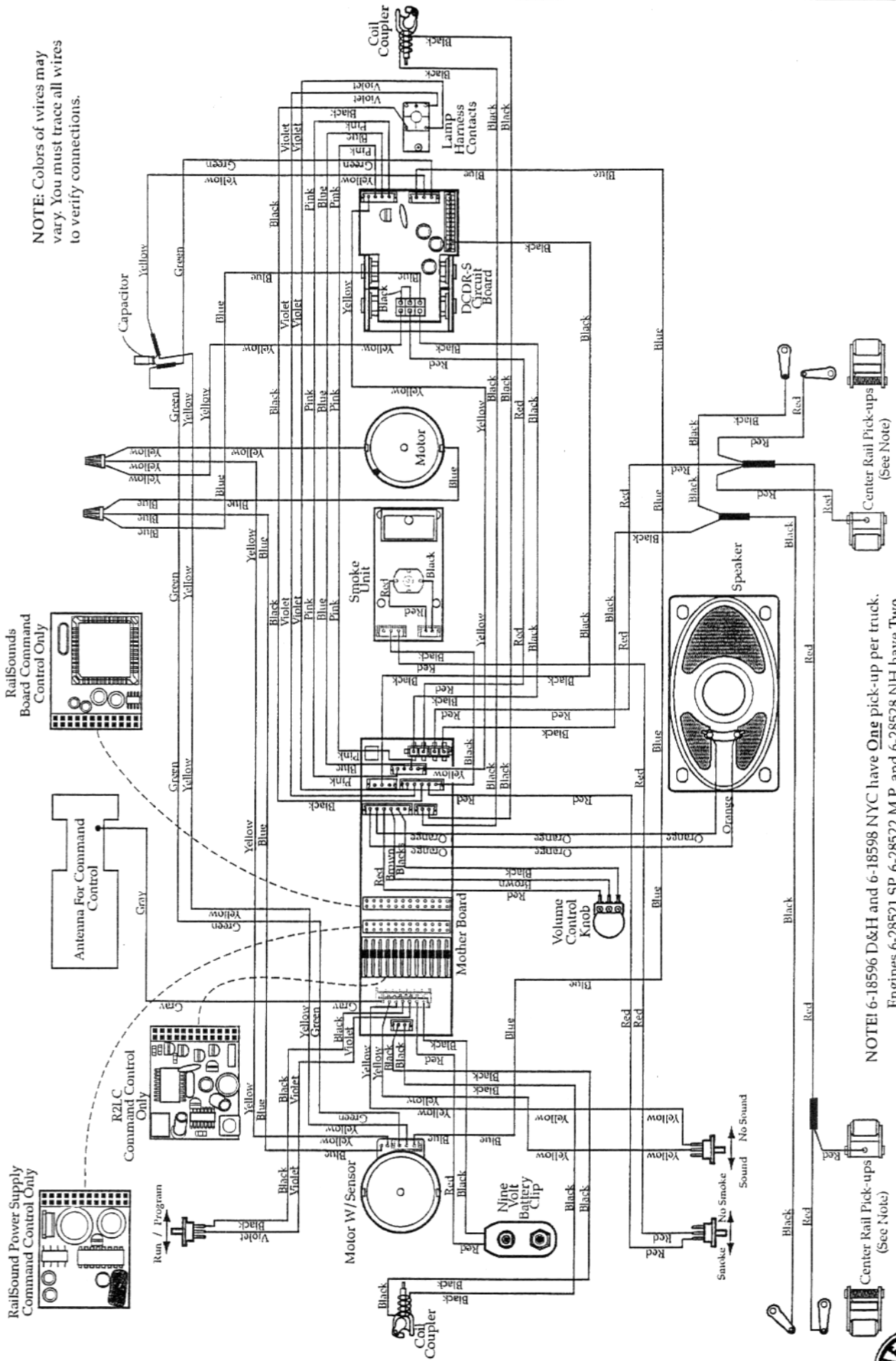
* PARTS NOT AVAILABLE



RS-11 DIESEL LOCOMOTIVE HEADLIGHT AND MARKER LAMPS PICTORIAL WIRING DIAGRAM



6-18596 D&H, 6-18598 NYC, 6-28521 SP, 6-28522 MP, 6-28528 NH RS-11 DIESEL PICTORIAL WIRING DIAGRAM

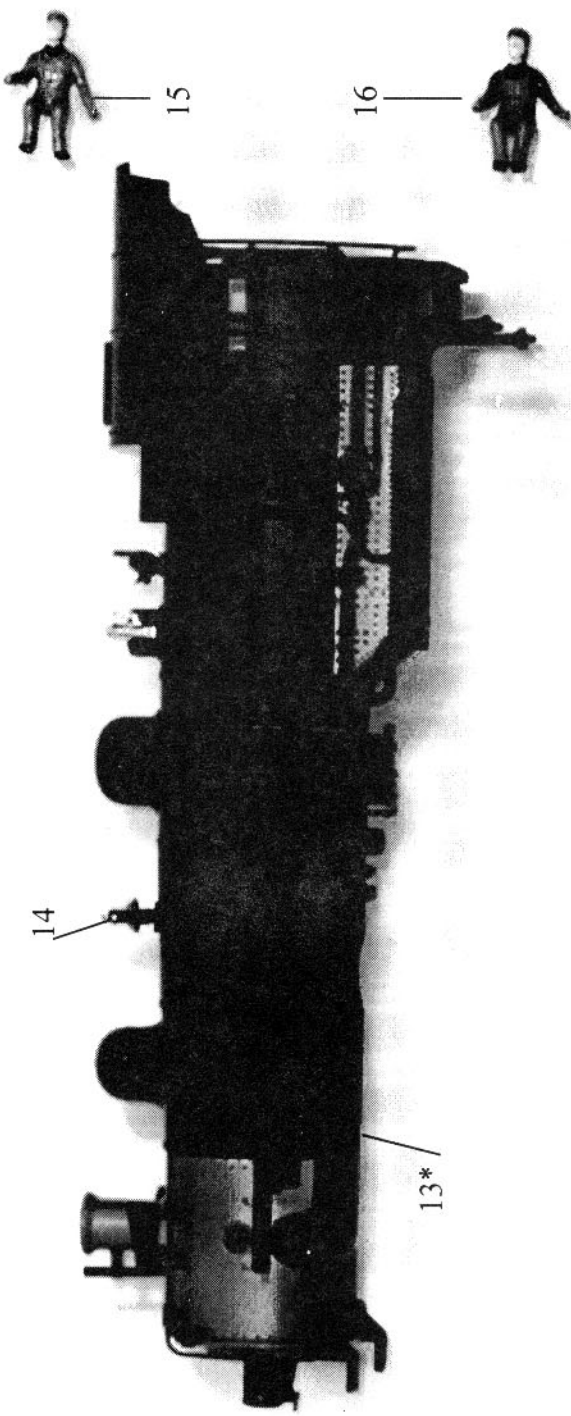
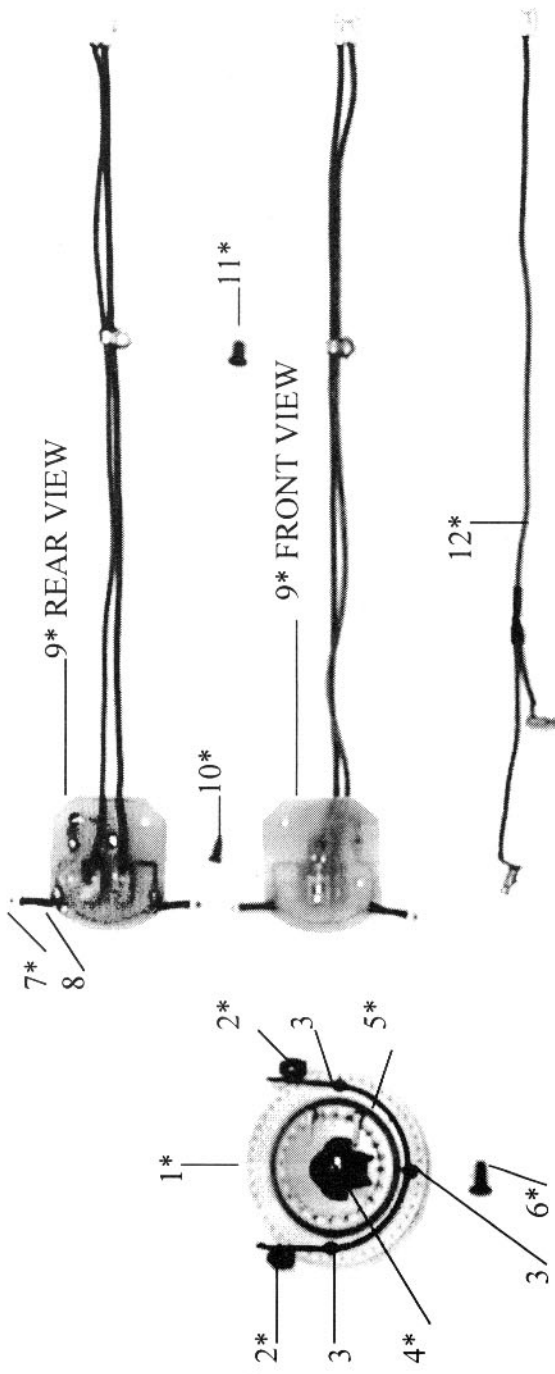


NOTE: Colors of wires may vary. You must trace all wires to verify connections.

NOTE! 6-18596 D&H and 6-18598 NYC have One pick-up per truck. Engines 6-28521 SP, 6-28522 M.P. and 6-28528 NH have Two pick-ups per truck.



6-28070 SOUTHERN PACIFIC 4-4-2 ATLANTIC CAB ASSEMBLY
 6-28071 NORTHERN PACIFIC 4-4-2 ATLANTIC CAB ASSEMBLY



S 46: 3-1



NOTE: * PARTS NOT AVAILABLE

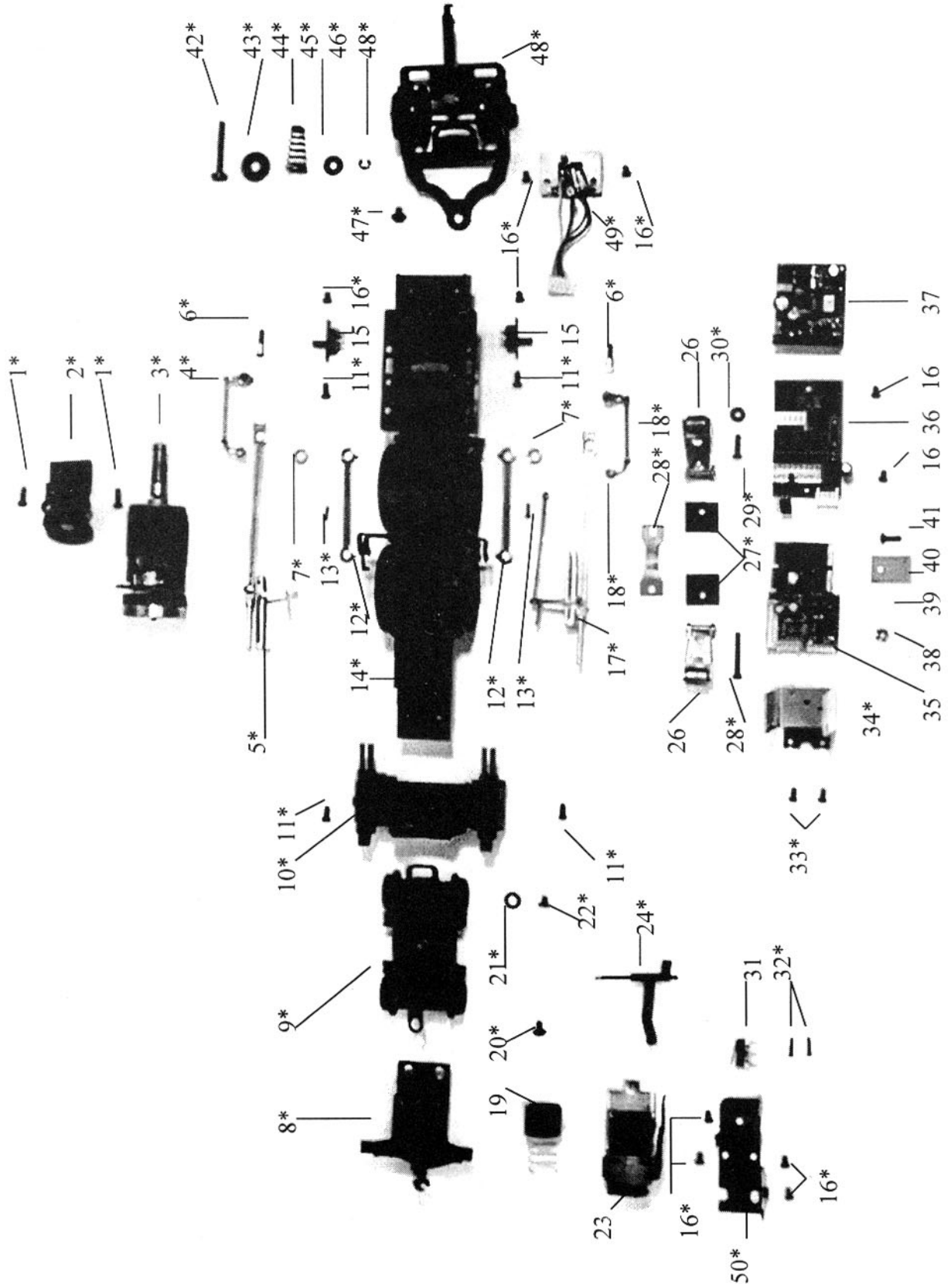
6-28070 SOUTHERN PACIFIC 4-4-2 ATLANTIC CAB ASSEMBLY
 6-28071 NORTHERN PACIFIC 4-4-2 ATLANTIC CAB ASSEMBLY

REF. NO.	PART NUMBER	QUANTITY		DESCRIPTION
		PER UNIT		
1		1*		BOILER FRONT ASSEMBLY NORTHERN PACIFIC & SOUTHERN PACIFIC
2		2*		LED HOUSING
3	6SP-8036-080	3		STANCHION
4		1*		HEADLIGHT LENS
5		1*		BOILER FRONT HANDRAIL
6		1*		SCREW 3.1X5.8 (MOUNTS BOILER FRONT)
7		2*		MARKER LIGHT LED (GREEN)
8		2		MARKER LIGHT LED INSULATOR
9		1*		MARKER LIGHT CIRCUIT BOARD ASSEMBLY
10		1*		SCREW 2.1X5.0 (MOUNTS LED CIRCUIT)
11		1*		SCREW 3.1X3.5 (MOUNTS LED HARNESS TO SHELL BOARD)
12		1*		ANTENNA ASSEMBLY
13		1*		SOUTHERN PACIFIC CAB NORTHERN PACIFIC CAB
14	6SP-8036-019	1		BELL
15	610-8953-095	1		FIGURE (BLUE)
16	620-8036-095	1		FIGURE (GREEN)

*PARTS NOT AVAILABLE



6-28070 SOUTHERN PACIFIC 4-4-2 ATLANTIC CHASSIS ASSEMBLY
 6-28071 NORTHERN PACIFIC 4-4-2 ATLANTIC CHASSIS ASSEMBLY



S46: 3-3

*PARTS NOT AVAILABLE

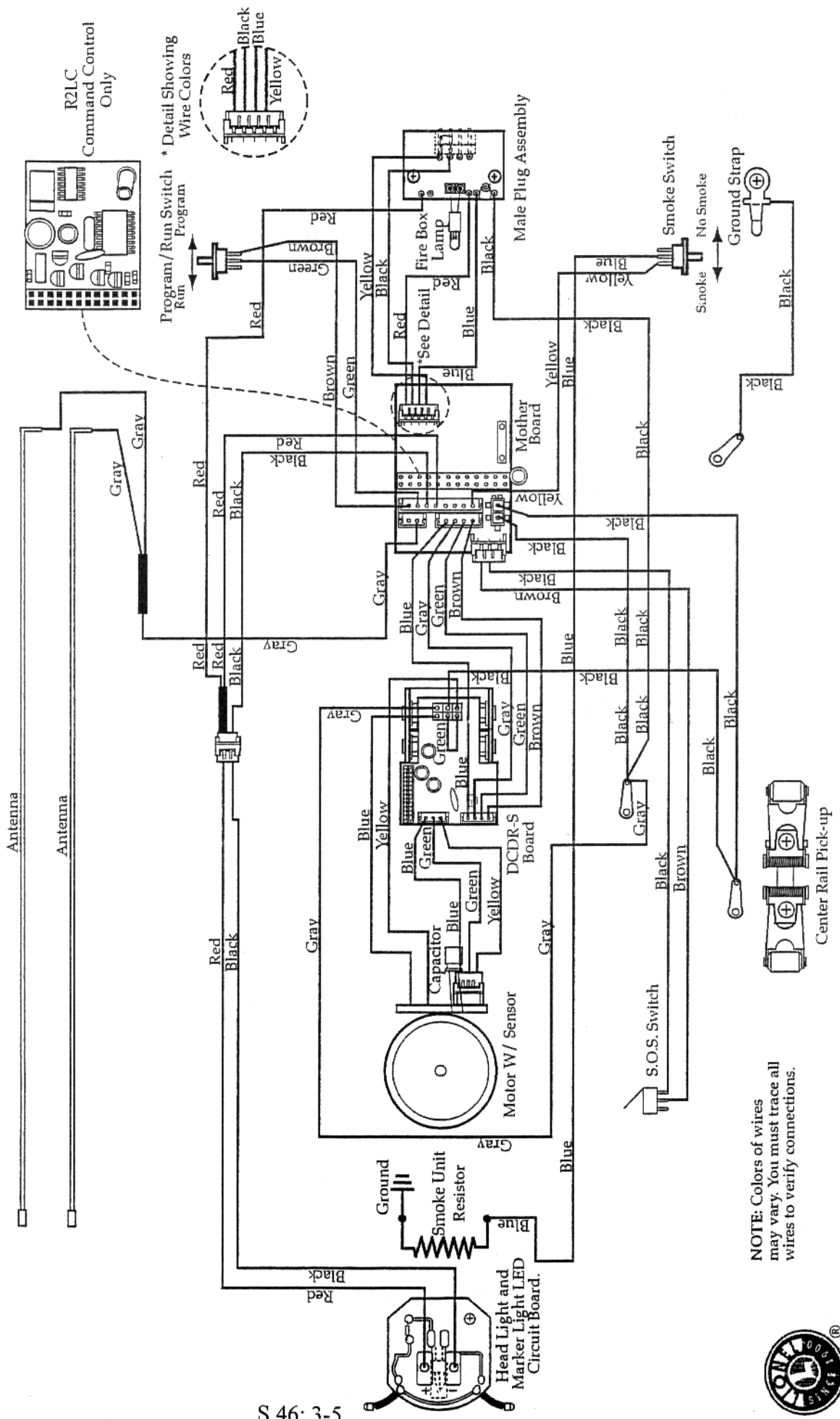


REF. NO.	PART NUMBER	QUANTITY PER UNIT	DESCRIPTION
1		2*	SCREW 2.9X7.9
2		1*	MOTOR MOUNTING BRACKET
3		1*	MOTOR
4		1*	RIGHT HAND ECCENTRIC CRANK
5		1*	RIGHT HAND MAIN ROD ASSEMBLY
6		2*	ECCENTRIC SCREW
7		2*	SPACER
8		1*	PILOT
9		1*	FRONT TRUCK
10		1*	STEAM CHEST
11		2*	SCREW 2.5X5.6
12		2*	SIDE ROD
13		2*	SCREW 1.5X5.7
14		1*	CHASSIS
15	625-3664-303	2	MINIATURE SWITCH
16	6SP-8082-348	2*	SCREW 3X3.5
17		1*	LEFT HAND MAIN ROD ASSEMBLY
18		1*	LEFT HAND ECCENTRIC CRANK
19	600-8306-213	1	SMOKE UNIT PISTON ASSEMBLY
20		1*	SCREW 3X4.7
21		1*	WASHER
22		1*	SCREW 3X4
23	610-8094-200	1	SMOKE UNIT ASSEMBLY
24		1*	SMOKE LEVER
25		1*	CONTACT STRIP
26	692-8069-T57	2	ROLLERS
27		2*	INSULATOR
28		1*	SCREW 2.5X19.7
29		1*	SCREW 2.5X9.5
30		1*	INSULATOR
31	610-0401-162	1	MICRO SWITCH
32	6SP-8082-303	2*	SCREW
33		2*	SCREW 2.5X5
34		1*	DCDR-S MOUNTING BRACKET
35	691-DCDS-FM3	1	DCDR-S
36	691-PCB1-0B9	1	MOTHERBOARD (ENGINE)
37	691-R2LC-C08	1	RADIO RECEIVER BOARD
38	610-8071-040	4	NUT #4-40X1/4
39	691-8057-T57	4	INSULATOR BUSHING
40	691-8057-T58	4	INSULATOR TERMALLOY
41	600-8306-633	4	SCREW #4-40X5/16
42		1*	SCREW
43		1*	SPACER
44		1*	SPRING
45		1*	SPACER
46		1*	C-CLIP
47		1	SCREW 3X4.8
48		1*	TRAILING TRUCK
49		1*	TENDER HARNESS PLUG CIRCUIT BOARD
50		1*	SMOKE LEVER BASE

*PARTS NOT AVAILABLE



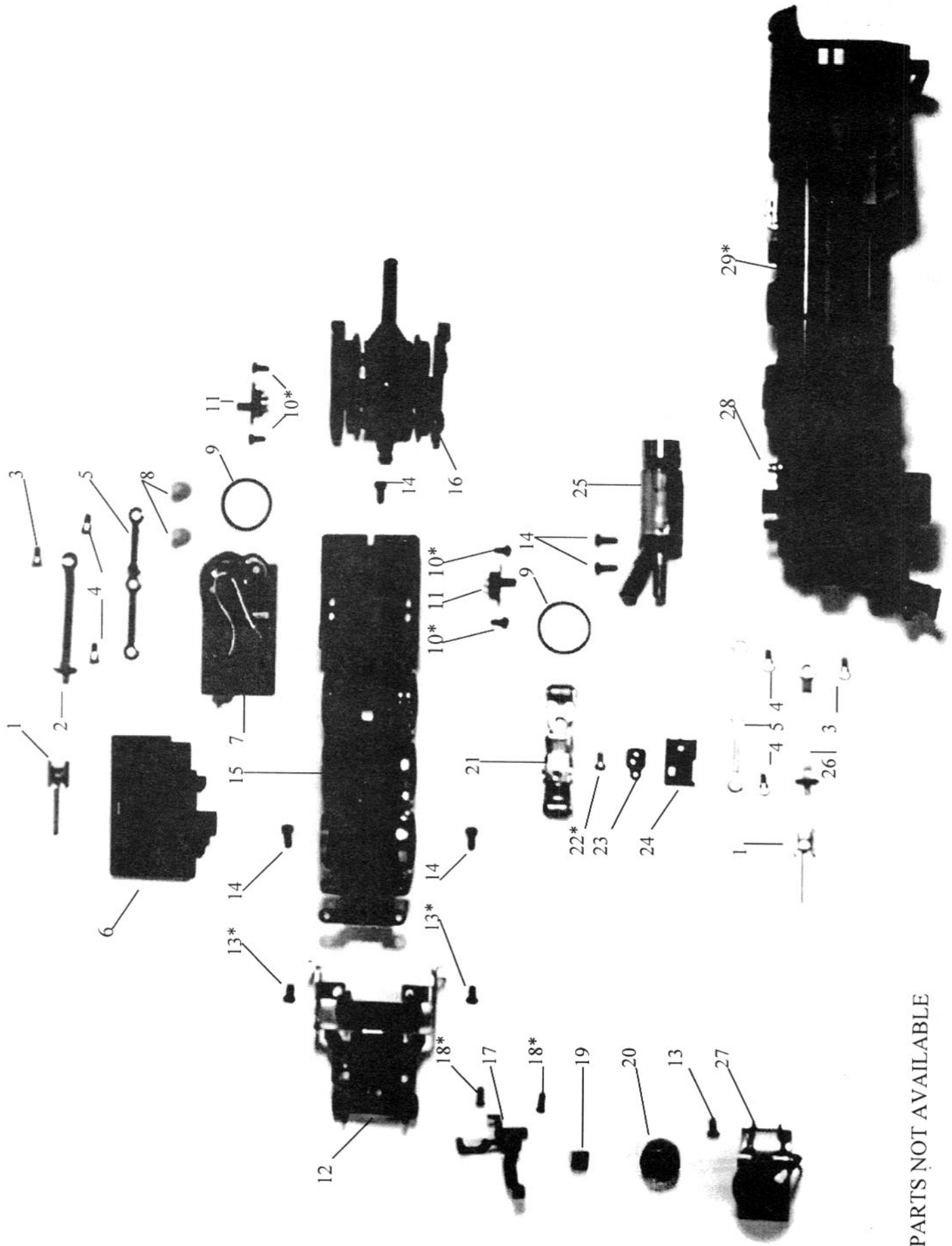
6-28070 SOUTHERN PACIFIC / 6-28071 NORTHERN PACIFIC 4-4-2 ATLANTIC STEAM ENGINE WITH COMMAND CONTROL AND ODYSSEY PICTORIAL WIRING DIAGRAM



NOTE: Colors of wires may vary. You must trace all wires to verify connections.



4-6-4 HUDSON CAB AND CHASSIS ASSEMBLY



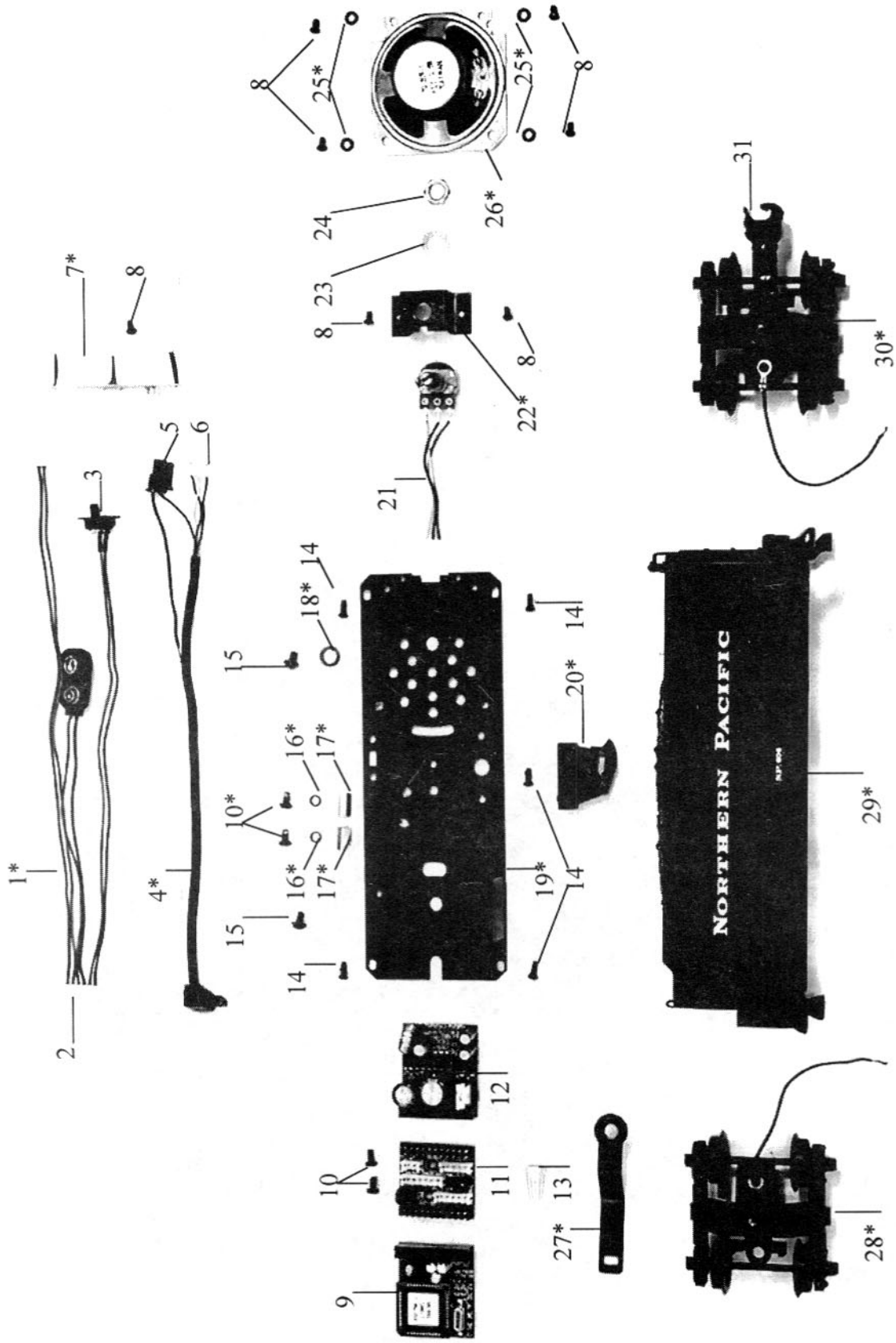
4-6-4 HUDSON CAB AND CHASSIS ASSEMBLY

REF. NO.	PART NUMBER	QUANTITY PER UNIT	DESCRIPTION
1	6SP-8060-021	2	CROSSHEAD
2	6SP-8060-324	2	RIGHT HAND DRIVE ROD
3	6SP-8060-312	2	ECCENTRIC SCREW
4	6SP-8060-319	4	SIDE ROD SCREW
5	6SP-8060-320	2	SIDE ROD
6	6SP-8060-055	1	E-UNIT BRACKET
7	600-0103-001	1	ELECTRONIC E-UNIT AC/DC
	610-0103-100	1	ELECTRONIC E-UNIT AC/DC (INCLUDES MINATURE SWITCH & BRACKET)
8	610-9001-030	2	WIRE NUT (TAN)
9	6SP-8060-065	2	TRACTION TIRE
10		2*	SCREW 2.8X5.3
11	625-3664-303	1	MINIATURE SWITCH
12	6SP-8060-020	1	FRONT TRUCK ASSEMBLY
13		3*	SCREW 3.4X6.0 (MOUNTS FRONT TRUCK TO CHASSIS)
14	6SP-8082-508	5	SCREW 3.4X8.0 (MOUNTS CAB TO CHASSIS/MOUNTS MOTOR)
15	6SP-8060-601	1	MAIN FRAME WITH WHEELS
16	6SP-8060-015	1	REAR TRUCK ASSEMBLY
17	6SP-8060-302	1	SMOKE LEVER
18		2*	SHOULDER SCREW 2.0X7.7
19	6SP-8060-303	1	SMOKE LEVER BUMPER
20	6SP-8060-213	1	SMOKE UNIT PISTON
21	6SP-8060-165	1	PICK UP ROLLER
22		*	SCREW 2.9X5.3
23	6SP-8060-336	1	COLLECTOR INSERT ASSEMBLY
24	6SP-8060-335		COLLECTOR INSERT ASSEMBLY
25	6SP-8060-103	1	MOTOR ASSEMBLY
26	6SP-8060-315	1	LEFT LAND DRIVE ROD
27	6SP-8060-200	1	SMIKE UNIT
28	600-0675-031	1	BELL (ALUMINUM)
29		1*	HUDSON JR. ENGINE CAB

*PARTS NOT AVAILABLE



6-28071 NORTHERN PACIFIC 4-4-2 ATLANTIC TENDER ASSEMBLY



*PARTS NOT AVAILABLE

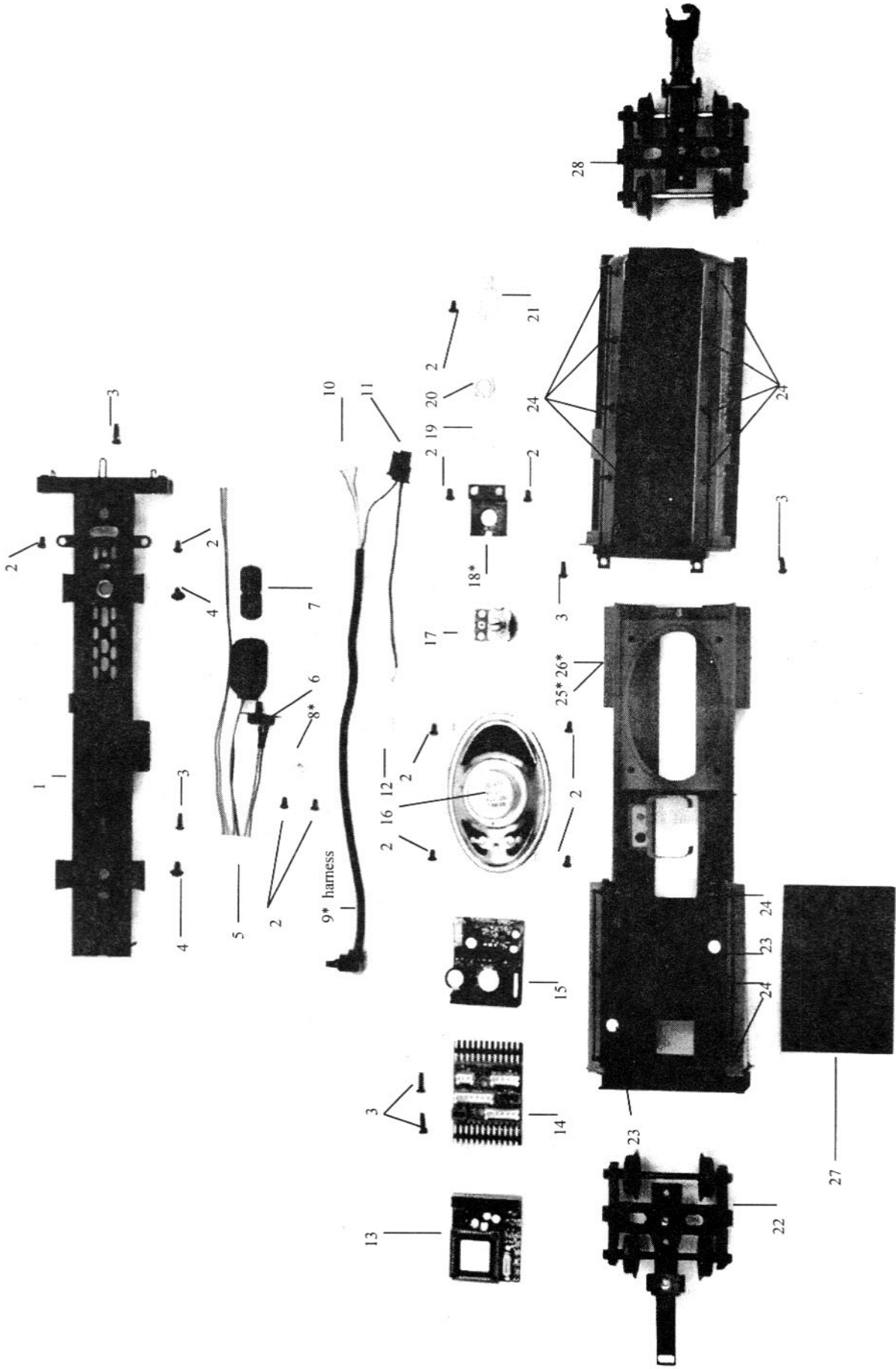
6-28071 NORTHERN PACIFIC 4-4-2 ATLANTIC TENDER ASSEMBLY

REF. NO.	PART MUNBER	QUANTITY PER UNIT	DESCRIPTION
1		1*	HARNES
2	610-9846-016	1	HOUSING 6 CIRCUIT
3	625-3664-303	1	MINATURE SWITCH
4		1*	HARNES
5	610-9846-012	1	HOUSING 2 PIN MOLEX
6	610-8221-040	1	HOUSING 4 CIRCUIT
7		1*	LED
8	6SP-8036-701	7	SCREW M 2.8X4.0 (MOUNTS LED CIRCUIT & SPEAKER)
9	691-PCB1-142	1	RAILSOUND 4 (NORTHERN PACIFIC)
10		2*	SCREW M2.9X3.8 (MOUNTS MOTHERBOARD AND STANDOFF)
11	691-PCB1-09F	1	MOTHERBOARD (RAILSOUND)
12	691-PCB1-04D	1	RAILSOUND POWER SUPPLY
13	610-9001-030	1	WIRENUT (YELLOW)
14	6SP-8036-702	5	SCREW M2.8X6.0 (MOUNTS CHASSIS TO FRAME)
15	6SP-8036-700	2	SCREW M3.0X.50 (MOUNTS TRUCK TO FRAME)
16		2*	SPACER
17		2*	STAND OFF
18		1*	SPACER
19		1*	TENDER FRAME
20		1*	WATER SCOOP
21	6SP-8036-T36	1	VOLUME CONTROL POTENTIOMETER
22		1*	VOLUME CONTROL BRACKET
23	6SP-8036-T37	1	VOLUME CONTROL POTENTIOMETER WASHER
24	6SP-8036-T38	1	VOLUME CONTROL POTENTIOMETER NUT
25		4*	SPACER
26	610-8042-536	1	SPEAKER (80HM) 2¼" WITH 6" LEADS
27		1*	DRAWBAR
28		1*	TRUCK (FRONT)
29		1*	NORTHERN PACIFIC TENDER BODY
30		1*	TRUCK WITH COIL COUPLER (REAR)
31	610-8959-056	1	COIL COUPLER ASSEMBLY 1.263"

*PARTS NOT AVAILABLE



6-28070 SOUTHERN PACIFIC ATLANTIC TENDER CHASSIS



S46: 4-3

* PARTS NOT AVAILABLE NOTE: TENDER SHELL SEPARATED TO SHOW DETAIL.



6-28070 SOUTHERN PACIFIC ATLANTIC TENDER CHASSIS

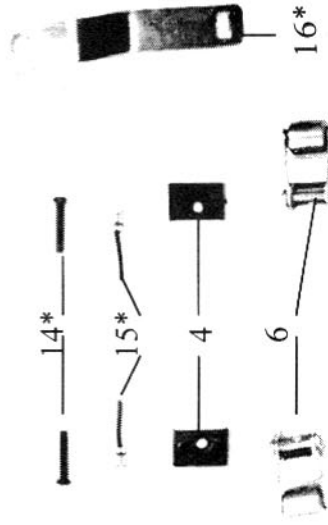
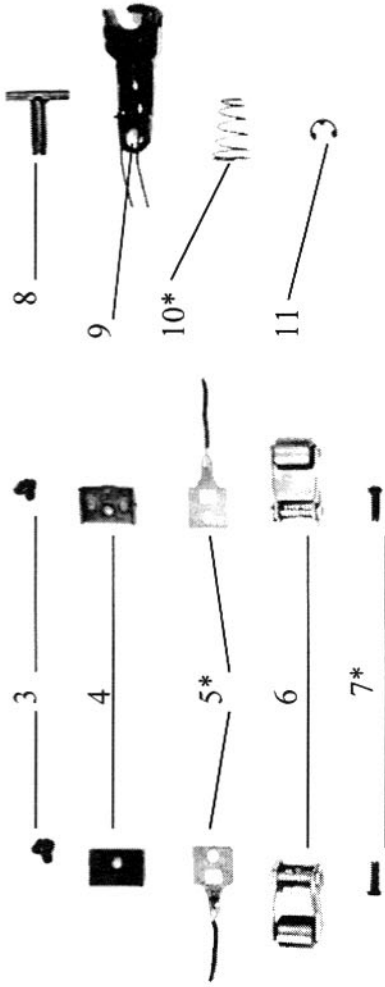
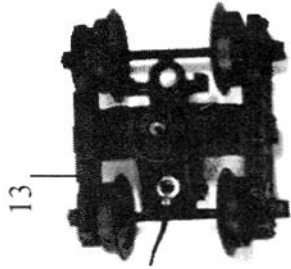
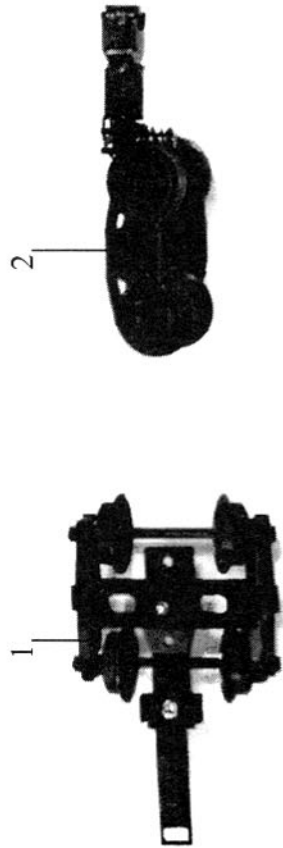
REF. NO.	PART NUMBER	QUANTITY PER UNIT	DESCRIPTION
1	6SP-8036-T14	1	TENDER FRAME
2	6SP-8036-701	11	SCREW 2.8X4.0
3	6SP-8036-702	6	SCREW 2.8X6.0
4	6SP-8036-700	2	SCREW 3.0X5.0
5	610-9846-016	1	6 CIRCUIT HOUSING
6	625-3664-303	1	MINIATURE SWITCH
7	610-8053-350	1	BATTERY PROTECTIVE CAP
8		1*	MINIATURE SWITCH MOUNTING BRACKET
9		1*	HARNESS
10	610-8221-040	1	4 CIRCUIT HOUSING
11	610-9846-012	1	2-PIN MOLEX HOUSING
12	610-9001-030	1	WIRE NUT (YELLOW)
13	691-PCB1-141	1	RAILSOUND 4 AUDIO BOARD (SOUTHERN PACIFIC ATLANTIC)
14	691-PCB1-10C	1	RAILSOUND MOTHERBOARD
15	691-PCB1-04D	1	RAILSOUND POWER SUPPLY
16	620-8036-536	1	SPEAKER (8OHM WITH 6" LEADS)
17	6SP-8036-T36	1	VOLUME CONTROL POTENTIOMETER
18		1*	VOLUME CONTROL BRACKET
19	6SP-8036-T37	1	VOLUME CONTROL POTENTIOMETER WASHER
20	6SP-8036-T38	1	VOLUME CONTROL POTENTIOMETER WASHER
21	610-8049-300	1	LAMP (14 VOLT) ONLY-CIRCUIT BOARD NOT AVAILABLE
22	6SP-8036-T80	1	FRONT TRUCK WITH DRAWBAR
23	6SP-8036-T11	2	OIL HATCH MAGNET
24	6SP-8036-T18	18	TENDER STANCION (NEED 2 SETS)
25		1*	SOUTHERN PACIFIC TENDER BODY
26		1*	SOUTHERN PACIFIC TENDER BODY
27	6SP-8036-T10	1	OIL HATCH ASSEMBLY
28	6SP-8036-T90	1	REAR TRUCK WITH COIL COUPLER

*PARTS NO AVAILABLE



6-28070 SOUTHERN PACIFIC 4-4-2 TENDER TRUCKS
 6-28071 NORTHERN PACIFIC 4-4-2 TENDER TRUCKS

6-28070 SOUTHERN PACIFIC 4-4-2 TENDER TRUCKS



*PARTS NOT AVAILABLE



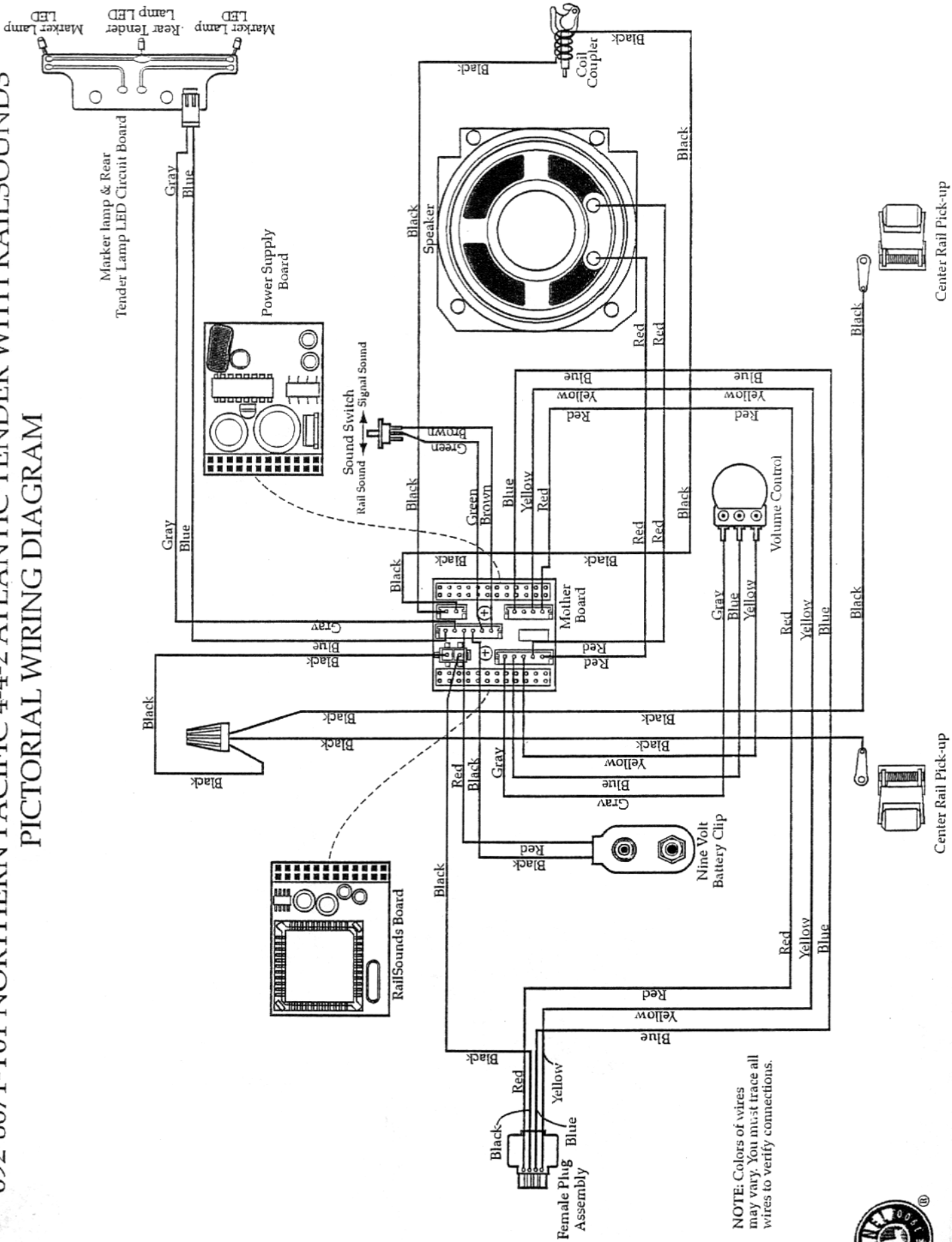
6-28070 SOUTHERN PACIFIC 4-4-2 TENDER TRUCK
 6-28071 NORTHERN PACIFIC 4-4-2 TENDER TRUCK

REF. NO.	PART NUMBER	QUANTITY PER UNIT	DESCRIPTION
1	6SP-8036-T80	1	TRUCK W/DRAWBAR (FRONT)
2	6SP-8036-T90	1	TRUCK W/COIL COUPLER (REAR)
3	6SP-8036-700	2	SCREW 2.9X4.6
4		2*	COLLECTOR INSULATOR
5		2*	CONTACT
6	692-8069-T57	2	COLLECTOR ASSEMBLY
7		2*	SCREW 2.5X7.5
8	600-2321-164	1	COUPLER HEAD SHAFT
9	610-8959-056	1	COIL COUPLER ASSEMBLY 1.26''
10		1*	CONICAL SPRING
11	690-671M-023	2	RETAINING RING
12		1*	REAR TENDER TRUCK
13		1*	FRONT TENDER TRUCK
14		2*	SCREW 2.5X12.5
15		2*	TERMINAL CONNECTOR
16		1*	DRAWBAR

*PARTS NOT AVAILABLE



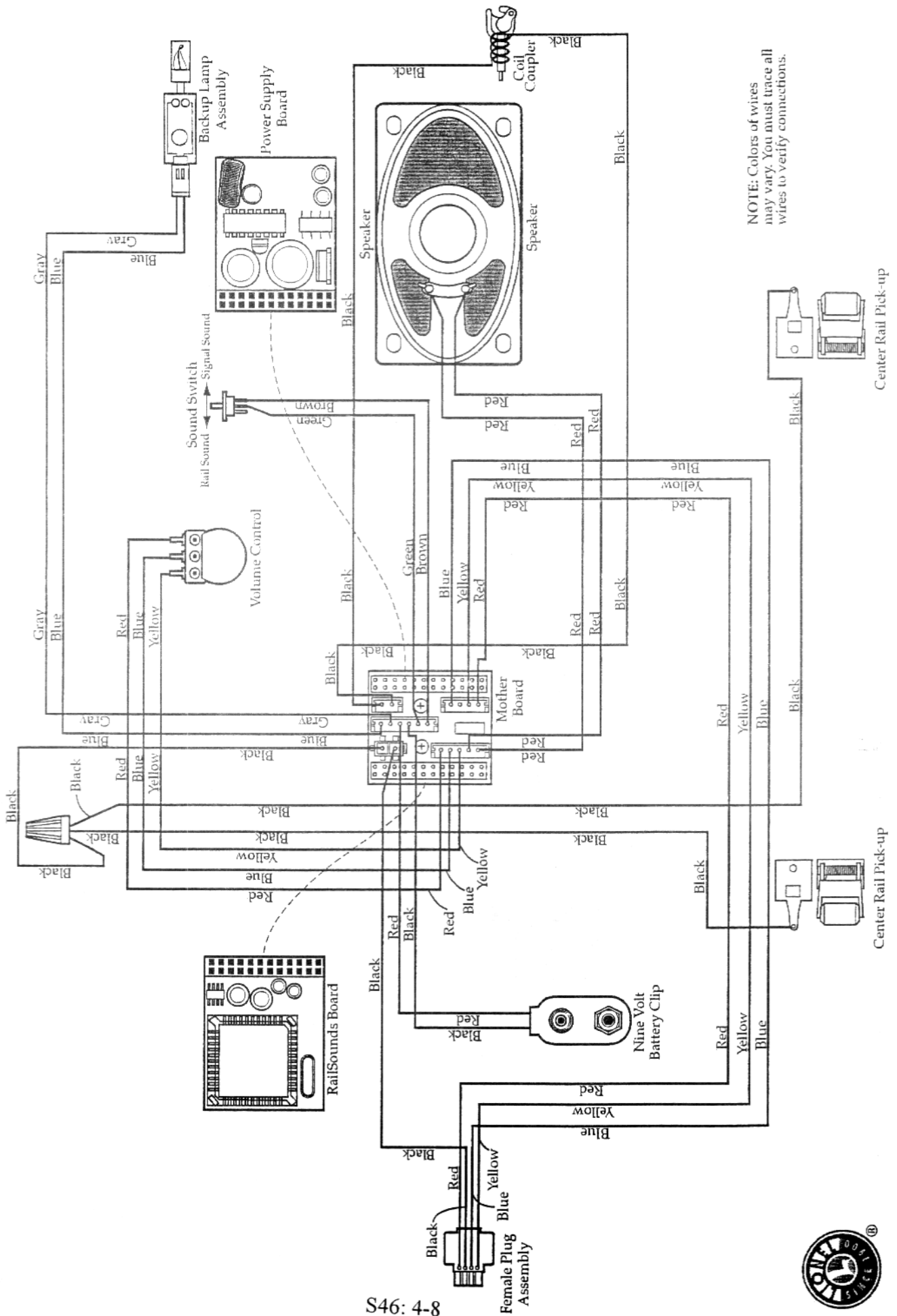
692-8071-T01 NORTHERN PACIFIC 4-4-2 ATLANTIC TENDER WITH RAILSOUNDS PICTORIAL WIRING DIAGRAM



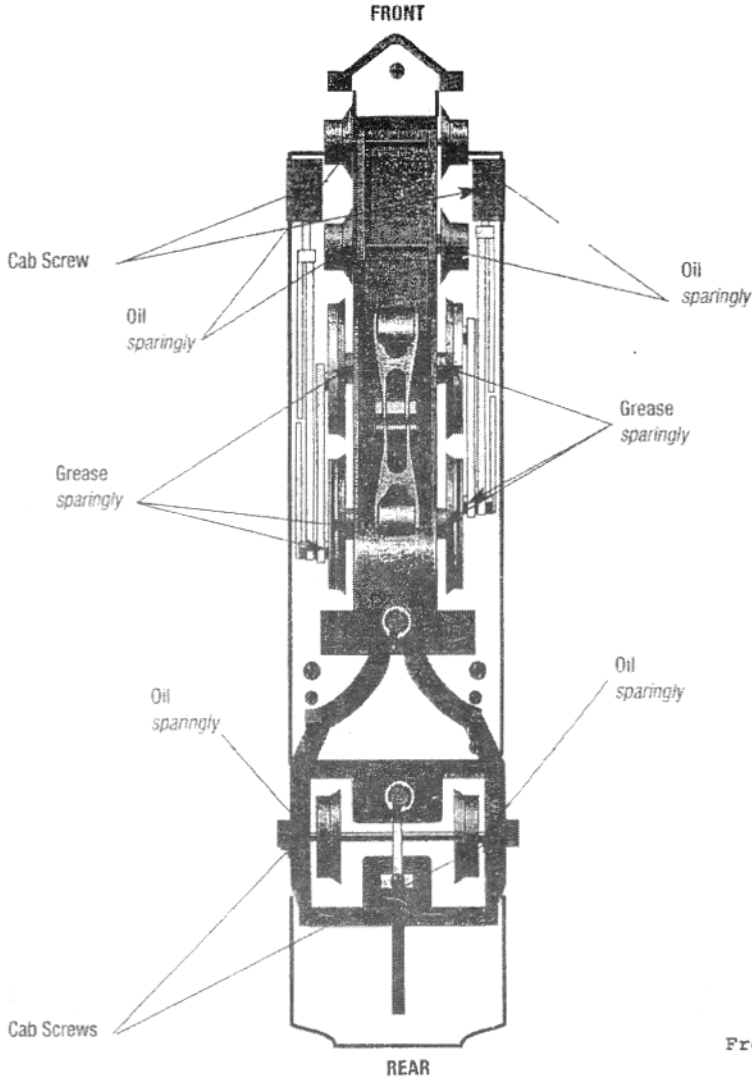
NOTE: Colors of wires may vary. You must trace all wires to verify connections.



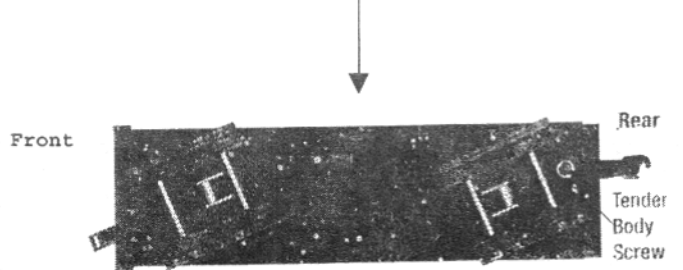
692-8070-T01 SOUTHERN PACIFIC 4-4-2 ATLANTIC TENDER WITH RAILSOUNDS PICTORIAL WIRING DIAGRAM



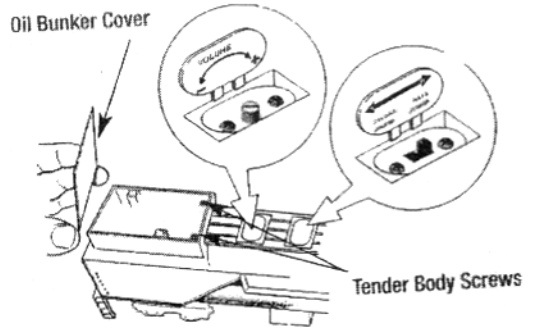
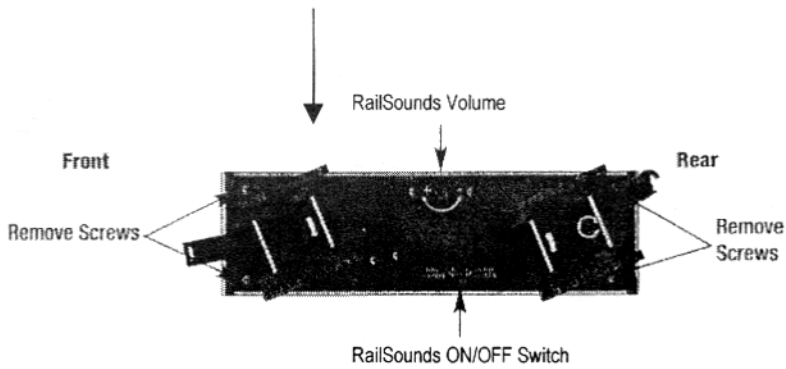
4-4-2 ATLANTIC
SOUTHERN PACIFIC AND SOUTHERN PACIFIC



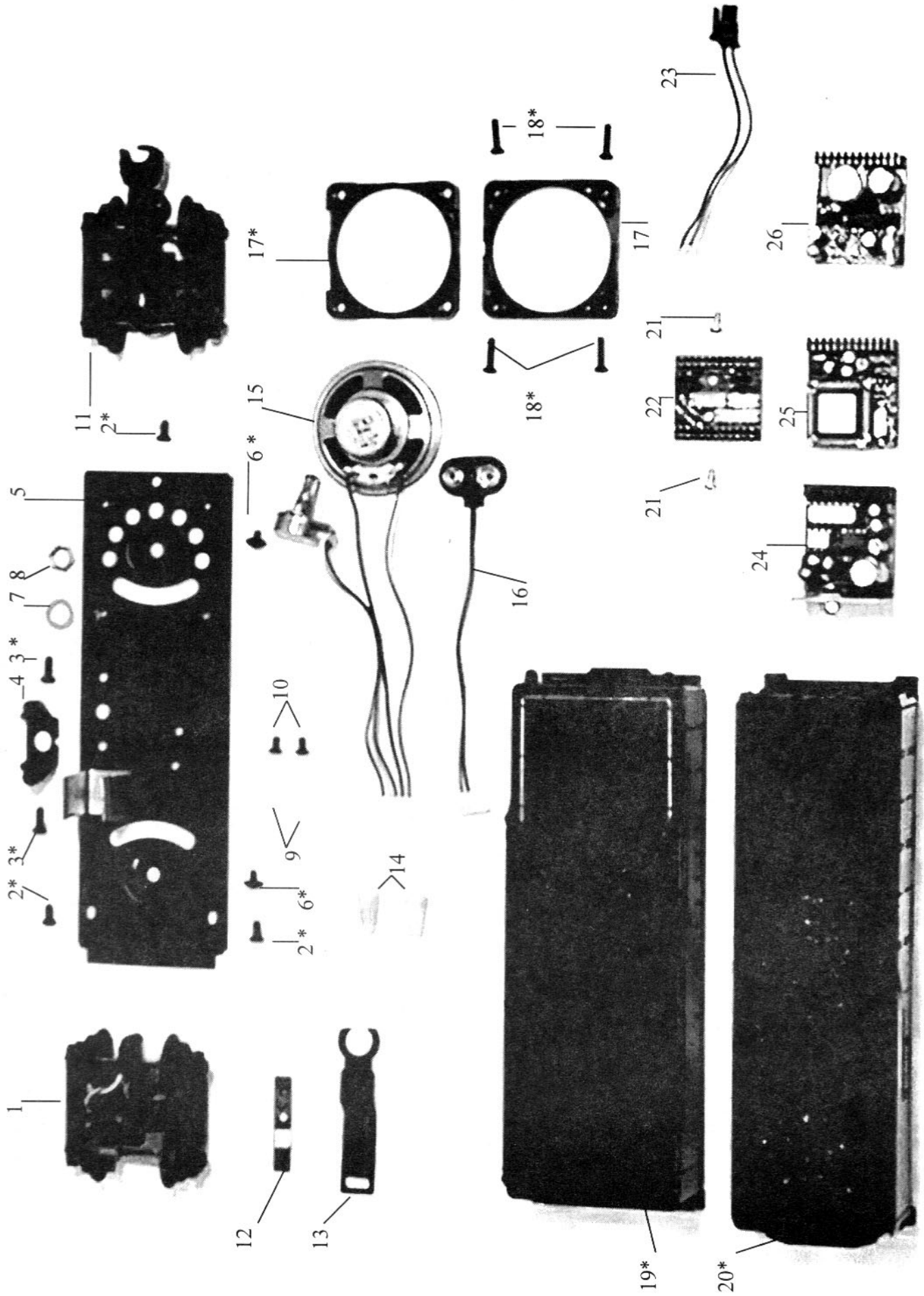
SOUTHERN PACIFIC TENDER



NORTHERN PACIFIC TENDER



4-6-4 HUDSON TENDER CHASSIS



*PARTS NOT AVAILABLE



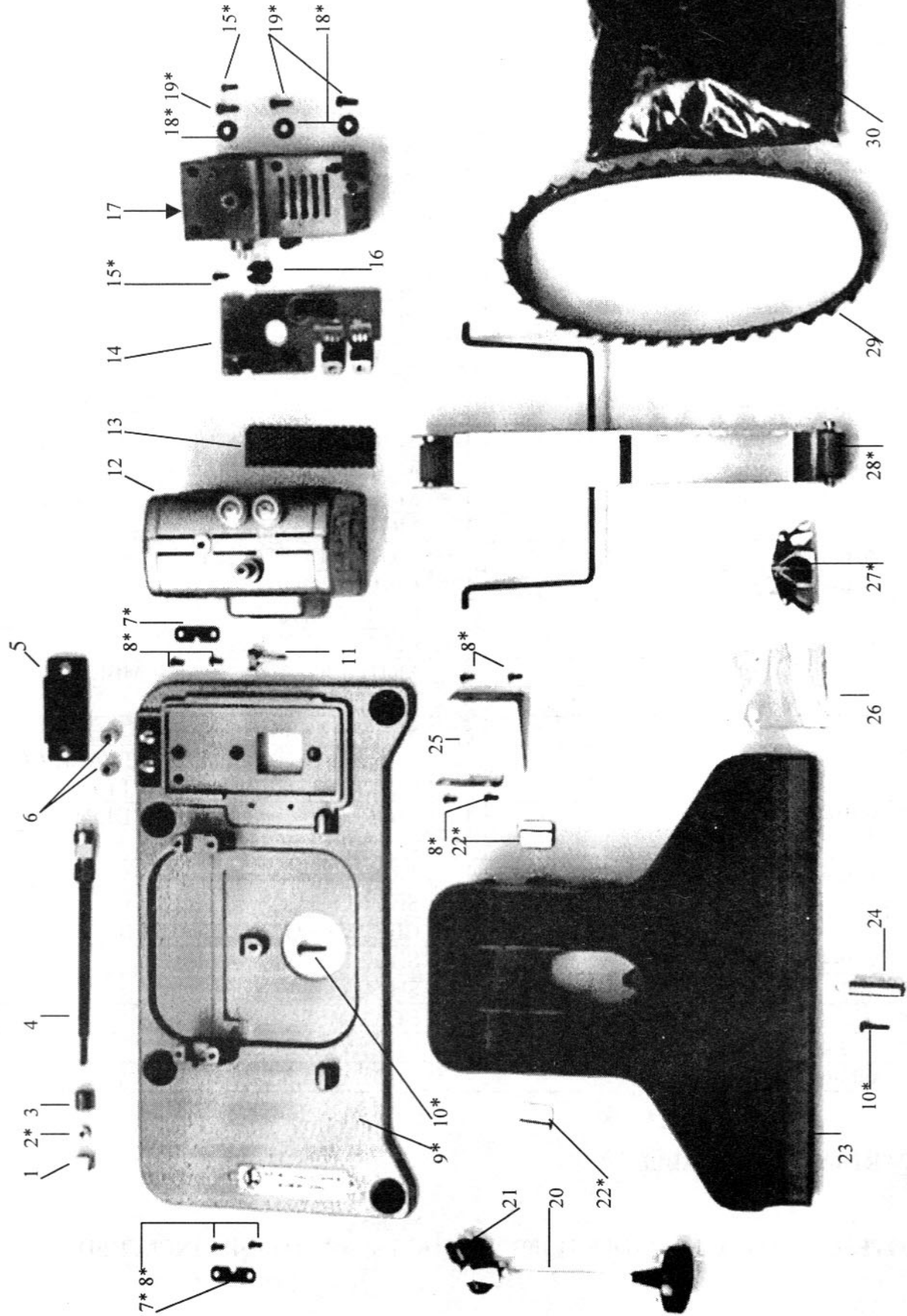
4-6-4 HUDSON TENDER

REF. NO.	PART NUMBER	QUANTITY PER UNIT	DESCRIPTION
1	620-1990-050	1	PLAIN TRUCK COMPLETE WITHOUT SENSOR
2		3*	SCREW (BODY MOUNT) 3.5X6.3
3		2*	SCREW (POTENTIOMETER MOUNT) 3.5X8.2
4	610-8005-325	1	POTENTIOMETER BRACKET
5	692-1989-110	1	TENDER FRAME
6		2*	SCREW (MOUNTS TRUCK) 2.8X4.7
7	610-8007-170	1	POTENTIOMETER WASHER
8	610-8007-180	1	POTENTIOMETER HEX NUT
9	691-8034-150	2	STAND OFF
10		2	SCREW (MOUNTS STANDOFF) 2.9X5.1
11	610-9251-050	1	MODULAR TRUCK ASSEMBLY
12	691-PCB1-071	1	SENSOR BRACKET
13	692-8060-T55	1	DRAWBAR
14	610-9001-030	2	WIRE NUT
15	620-1989-116	1	SPEAKER & POTENTIOMETER ASSEMBLY
16	620-1989-216	1	BATTERY HARNESS-4PIN HOUSING
17		2*	SPEAKER BRACKET
18		4*	SCREW (SPEAKER MOUNTING) 2.9X10.8
19		1*	TENDER BODY (DIE-CAST)
20		1*	TENDER BODY (PLASTIC)
21	620-1944-055	2	SCREW M3X5.5MM
22	691-PCBI-116	1	RAILSOUND/SIGNAL SOUND MOTHERBOARD
23	620-8027-216	1	MOLEX WIRE ASSEMBLY
24	691-PCB1-07B	1	STANDARD STEAM SOUNDS
25	691-PCB1-111	1	RAILSOUND 4 STEAM-CONVENTIONAL
26	691-PCB1-04D	1	RAILSOUND POWER SUPPLY

*PARTS NOT AVAILABLE



6-14004 "397" COAL LOADER
 6-14157 "397" COAL LOADER



* PARTS NOT AVAILABLE

6-14004 "397" COAL LOADER
 6-14157 "397" COAL LOADER

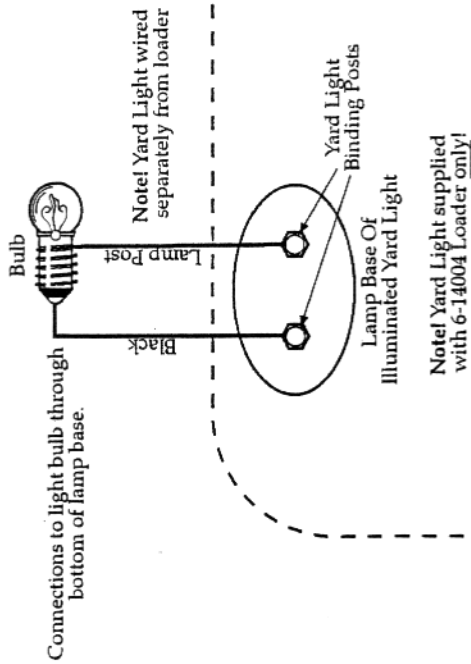
REF. NO.	PART NUMBER	QUANTITY		DESCRIPTION
		PER	UNIT	
1	610-4004-014	2		BEARING (OUTER)
2		2*		BEARING
3	610-4004-011	1		CAM
4	610-4004-026	1		DRIVE SHAFT ASSEMBLY (INCLUDES PART #1,2,3)
5	600-5903-001	1		SLIDE SWITCH
6		2*		TERMINAL NUT
7		2*		COVER PLATE
8		8*		SCREW 2.5X4.9
9		1*		BASE ASSEMBLY
10		1*		SCREW(MOUNTS SPRINT TO BASE) 3.1X11.3
11	610-4004-025	1		MOTOR COVER SCREW
12	610-4157-031	1		MOTOR COVER (SILVER) (6-14157
	610-4004-031	1		MOTOR COVER (YELLOW) (6-14004)
13	610-4004-031	1		MOTOR COVER SCREEN
14	610-4004-037	1		CIRCUIT BOARD
15		2*		SCREW 2.7X5.9
16	610-4004-029	1		FLEXIBLE COUPLING
17	610-4004-100	1		MOTOR/GEARBOX ASSEMBLY
18		3*		WASHERS
19		3*		SCREW 3.6X8.1
20	601-4071-000	1		YARD LIGHT(SOLD AS A 3 PACK-COMplete PRODUCT -SEPARATE SALE)
21	6SP-4071-200	1		LAMP (6-14004 COAL LOADER)
22		2*		COVER CLIP
23	610-4004-027	1		TRAY
24		1		SPRING
25		1*		CIRCUIT BOARD BRACKET
26	610-4004-050	1		SHIELD
27		1*		SHOOT
28		1*		BEAM ASSEMBLY
29	610-4004-006	1		COVEYOR BELT
30	600-6212-038	1		COAL LOAD BAGGED (2oz)

*PARTS NOT AVAILABLE

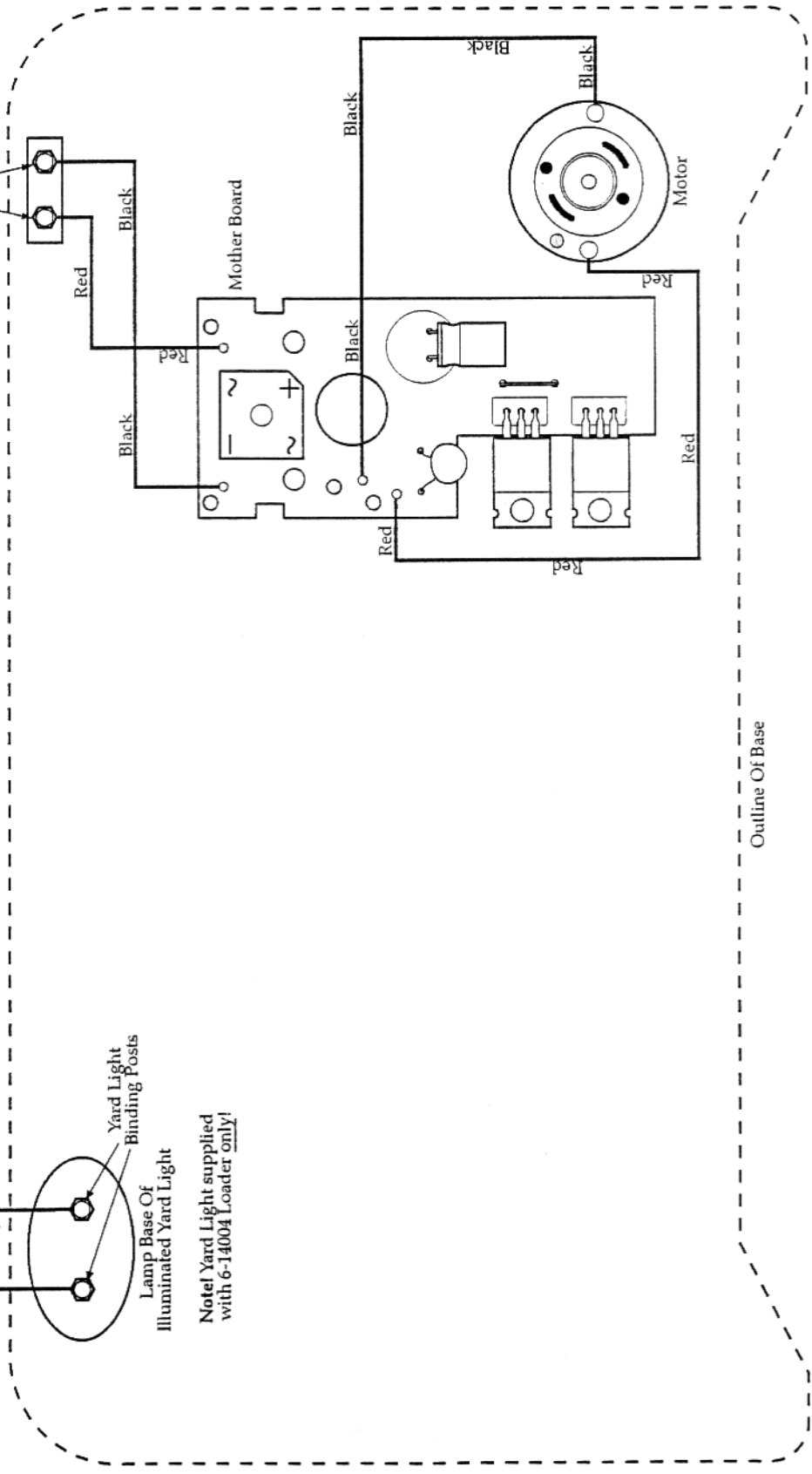
NOTE: 6-14157 COAL LOADER DOES NOT HAVE A YARD LIGHT INCLUDED



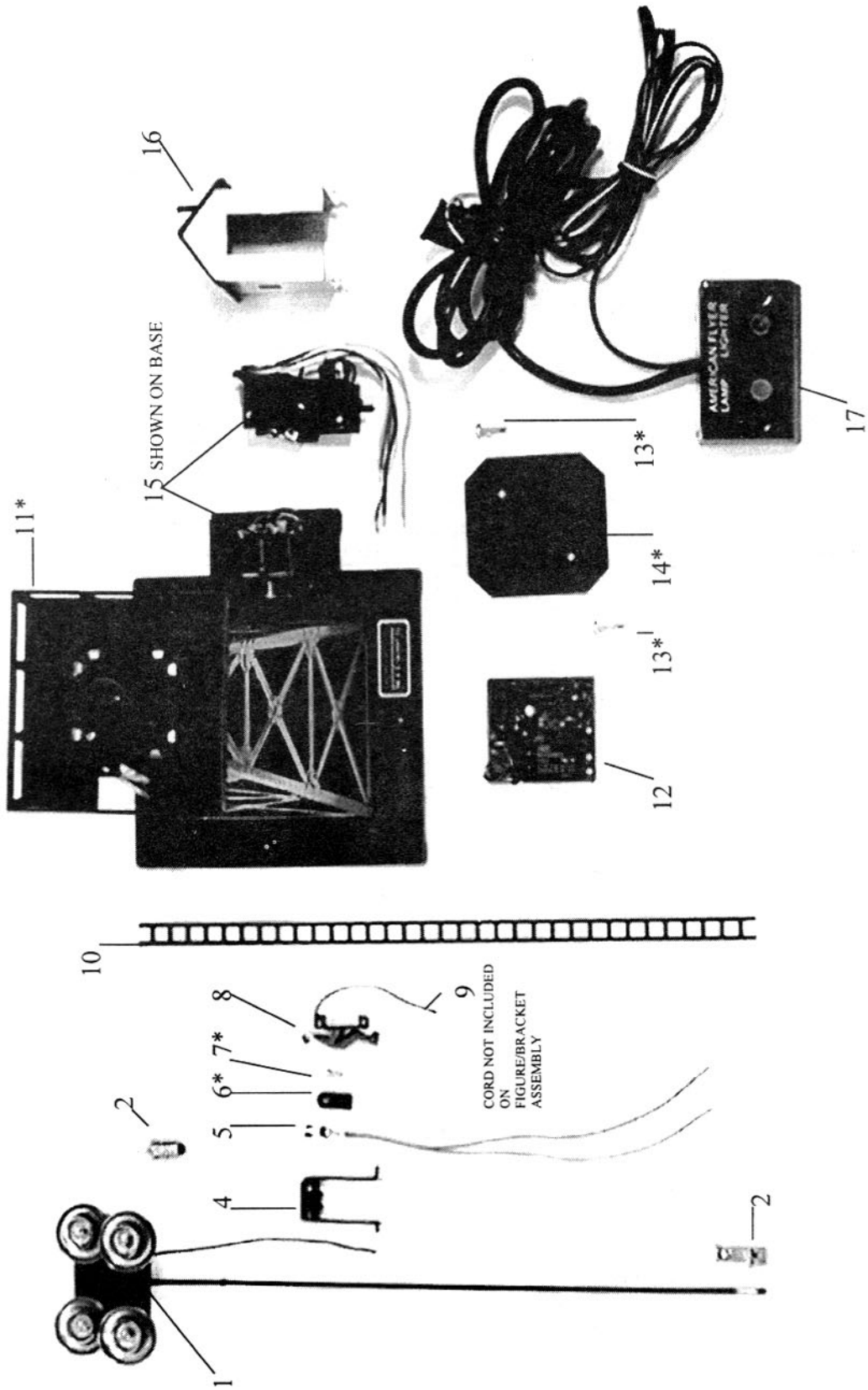
6-14004 / 6-14157 #397 OPERATING COAL LOADER PICTORIAL WIRING DIAGRAM



Coal Loader Binding Posts Underside of Loader



6-49805 GABE THE LAMPLIGHTER



S46: 17-1

*PARTS NOT AVAILABLE



6-49805 GABE THE LAMPLIGHTER

REF. NO.	PART NUMBER	QUANTITY PER UNIT	DESCRIPTION
1	640-9805-301	1	LIGHT ASSEMBLY
2		1*	TERMINAL CLIP AND LUG
3	6SP-9805-100	4	LAMP (18 VOLT)
4	640-9805-065	1	PULLEY BRACKET ASSEMBLY
5	640-9805-150	1	CONTACT ASSEMBLY
6		1*	CONTACT RETAINER
7		1	SCREW 2.7X6.0
8	640-9805-020	1	FIGURE WITH BRACKET (NYLON CORD NOT INCLUDED)
9	680-0464-505	1	NYLON CORD
10	640-9805-069	1	LADDER
11		1*	BASE ASSEMBLY
12	640-9805-069	1	CIRCUIT BOARD
13		2	SCREW 2.7X11.7
14		1*	CIRCUIT BOARD COVER
15	640-9805-100	1	MOTOR ASSEMBLY
16	640-9805-017	1	HOUSE ASSEMBLY
17	640-9805-010	1	CONTROLLER

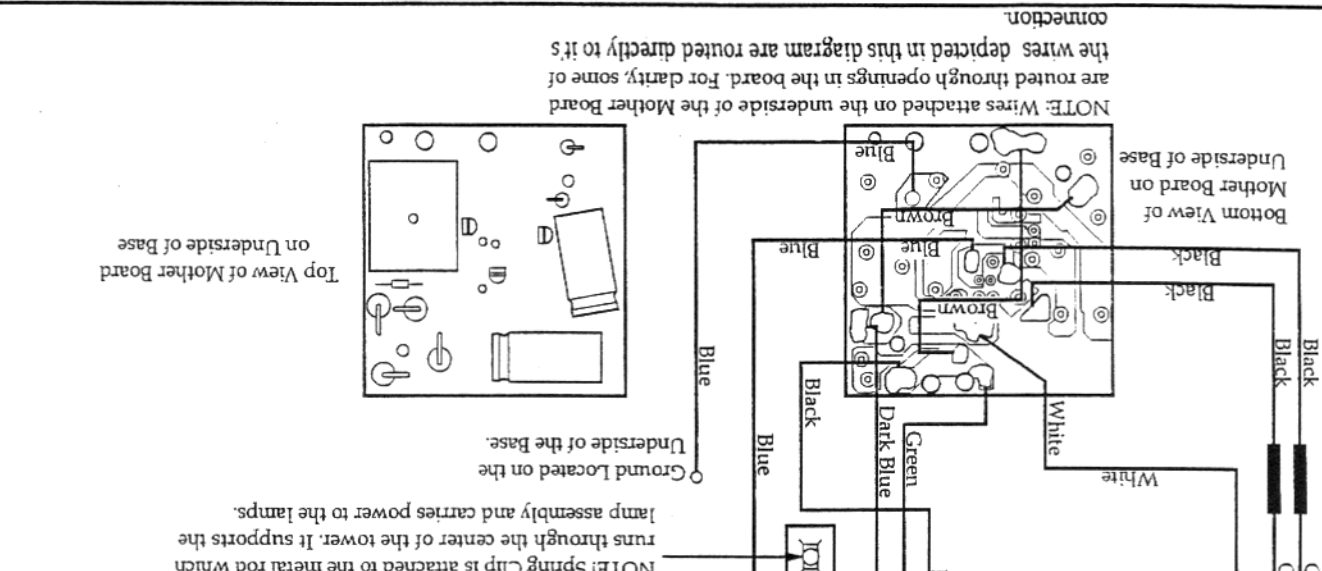
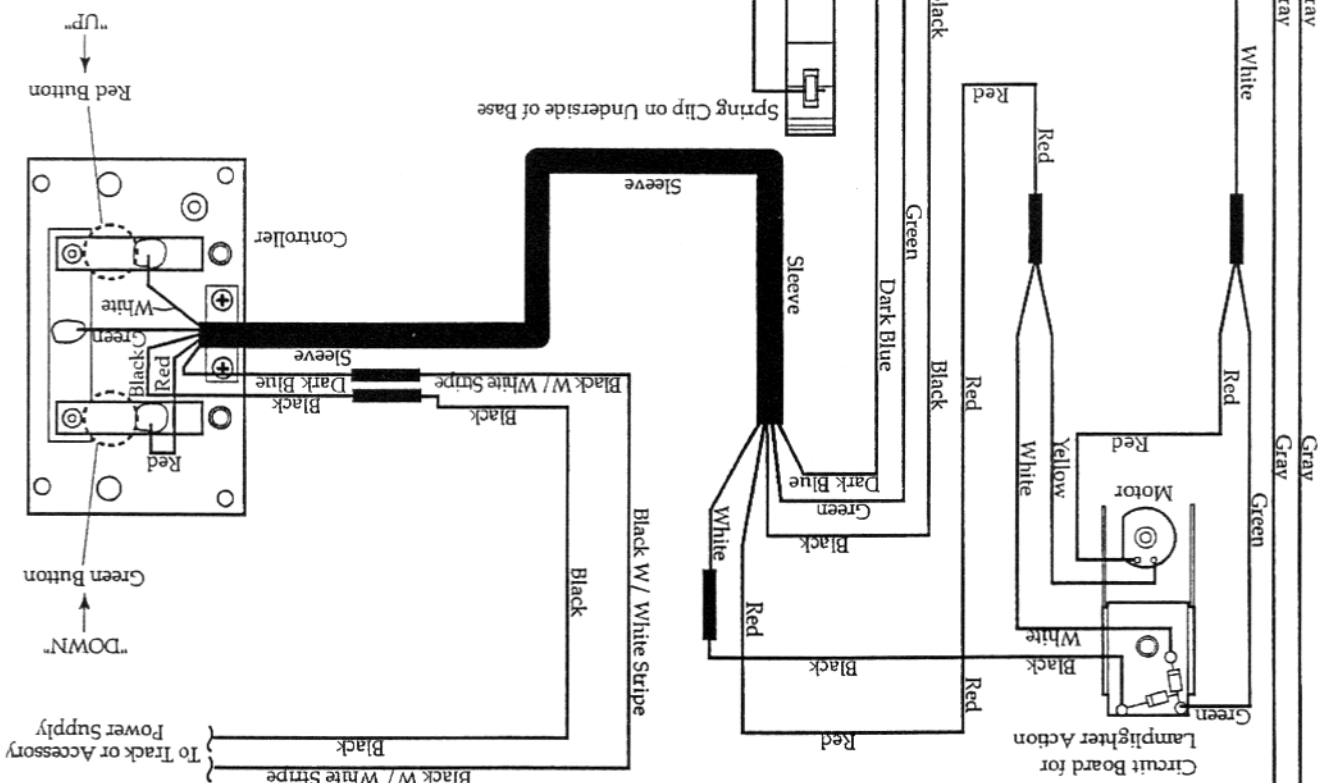
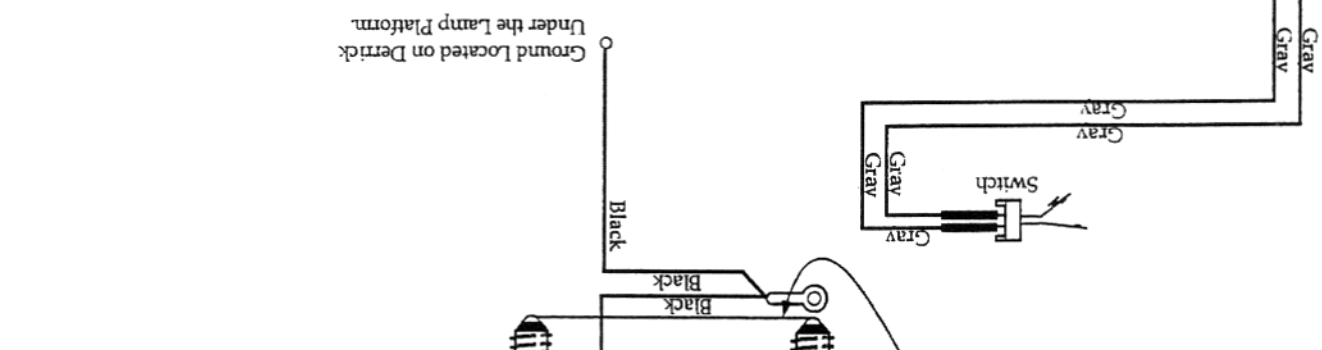
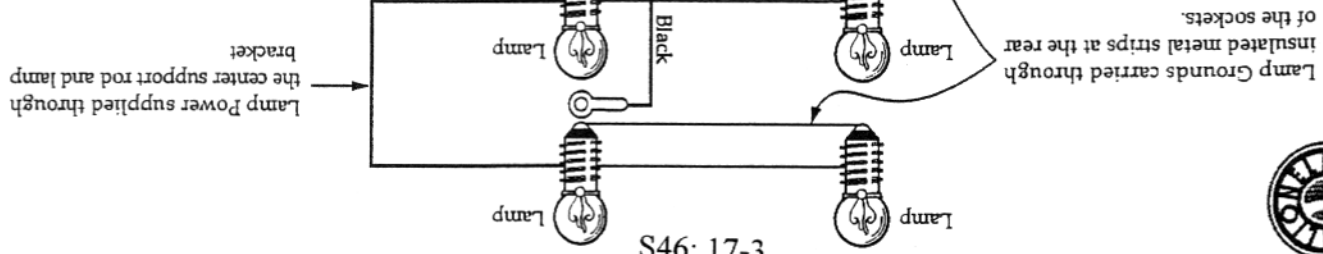
*PARTS NOT AVAILABLE



6-49805 AMERICAN FLYER 23780 GABE THE LAMPLIGHTER PICTORIAL WIRING DIAGRAM

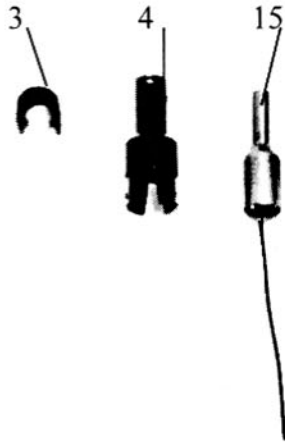
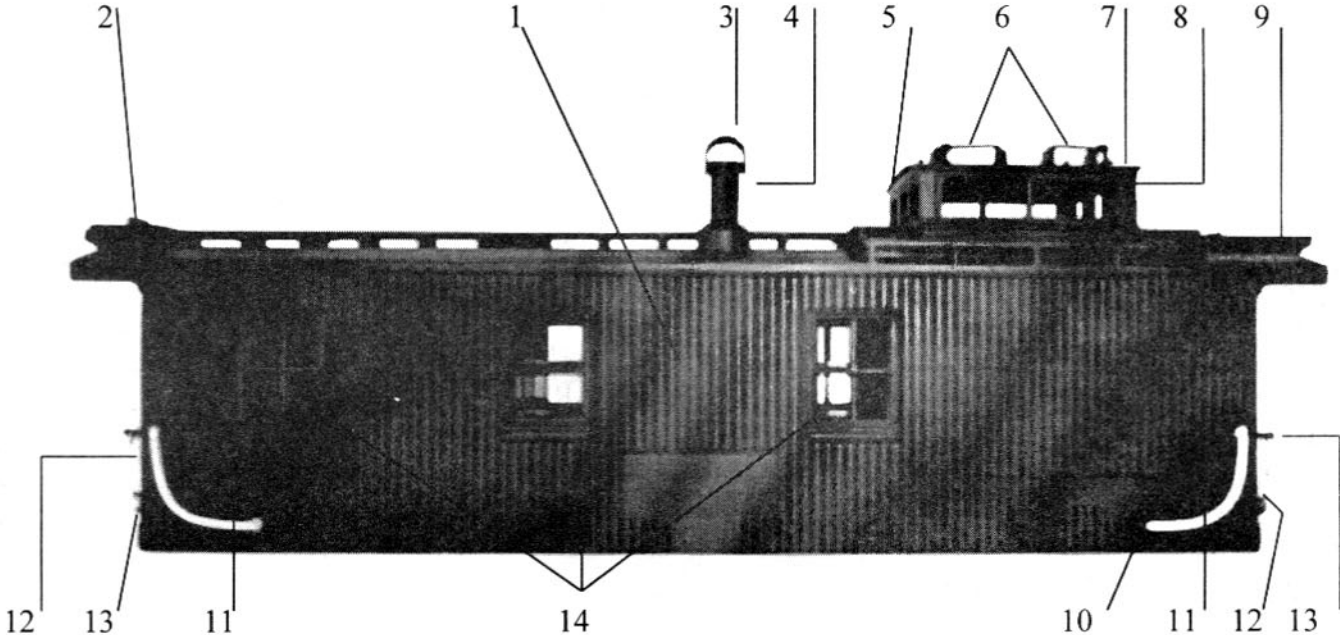


S46: 17-3



DIE-CAST SEMI-SCALE CABOOSE SHELL ASSEMBLY

- 6-17635 100TH ANNIVERSARY GOLD DIE-CAST SEMI-SCALE CABOOSE
- 6-17636 NEW YORK CENTRAL DIE-CAST SEMI-SCALE CABOOSE
- 6-17637 QUICK VIA PEORIA DIE-CAST SEMI-SCALE CABOOSE



SMOKE UNIT ASSEMBLY



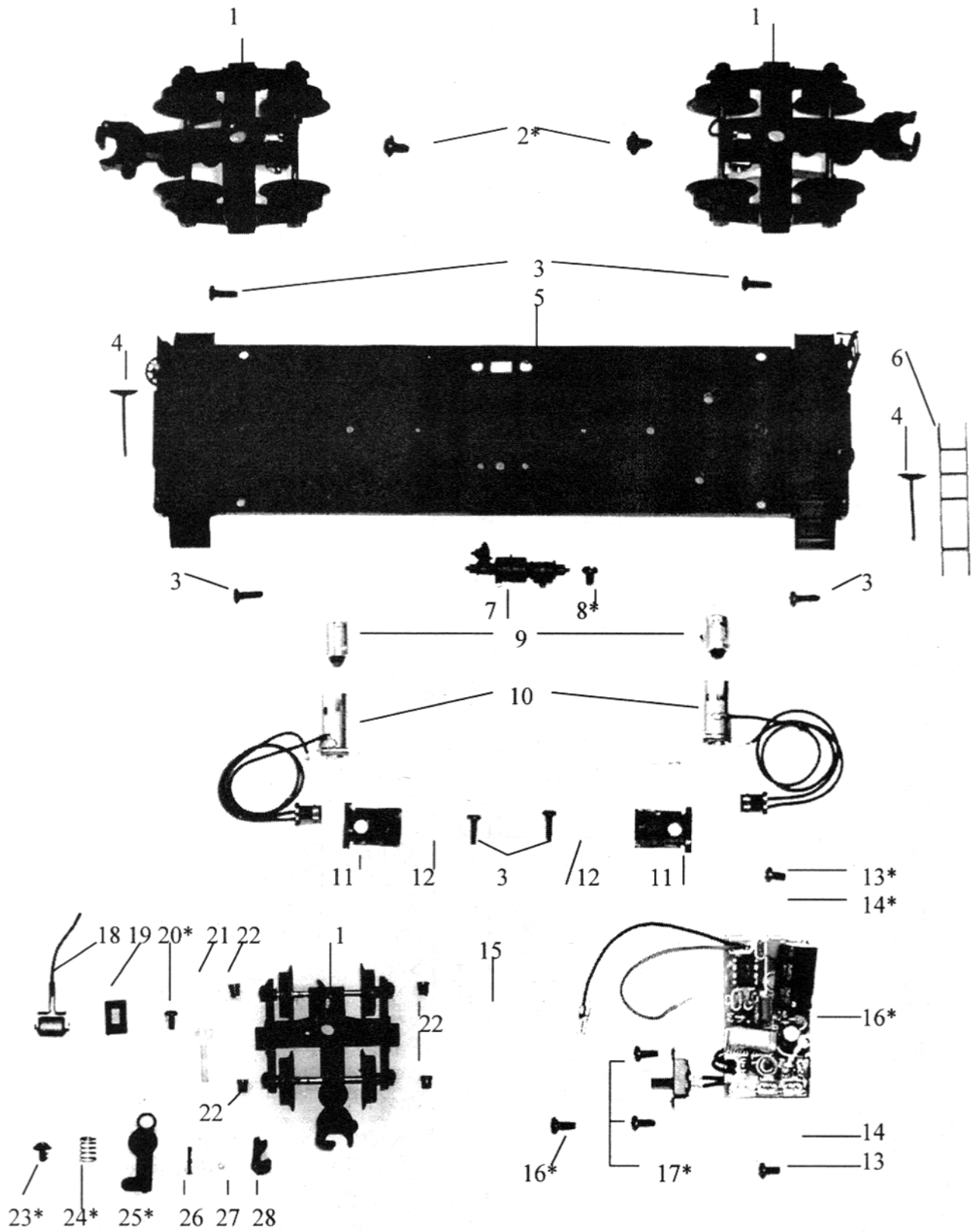
DIE-CAST SEMI-SCALE CABOOSE SHELL ASSEMBLY

REF. NO.	PART NUMBER	QUANTITY PER UNIT	DESCRIPTION
1	6SP-7635-002	1	CABOOSE SHELL (100 TH ANNIVERSARY GOLD)
	6SP-7636-002	1	CABOOSE SHELL (NEW YORK CENTRAL)
	6SP-7637-002	1	CABOOSE SHELL (QUICK VIA PEORIA)
2	6SP-7635-011	1	CATWALK (LONG)
3	6SP-7635-008	1	SMOKE DEFLECTOR
4	6SP-7635-006	1	SMOKE STACK
5		1*	CUPOLA
6	6SP-7635-107	4	CUPOLA HANDRAIL (BLACK)
7	6SP-7635-024	1	CUPOLA ROOF (GOLD ONLY)
8	6SP-7635-025	1	WINDOW STRIP (CUPOLA)
9	6SP-7635-012	1	CATWALK (SHORT)
10	6SP-7635-031	2	MARKER LIGHT HOUSING (GOLD ONLY)
11	6SP-7635-065	4	CURVED HANDRAIL (BLACK)
	6SP-7636-065	4	CURVED HANDRAIL (YELLOW)
12	6SP-7635-106	2	END RAIL (LEFT HAND)
13	6SP-7635-105	2	END RAIL (RIGHT HAND)
14	6SP-7635-015	6	SIDE WINDOWS
15	6SP-7635-200	1	SMOKE UNIT

*PARTS NOT AVAILABLE



DIE-CAST SEMI-SCALE CABOOSE CHASSIS ASSEMBLY



NOTE: 29. COMPLETE CHASSIS (INCLUDES ALL OF THE ABOVE PARTS)

S46: 7-3



DIE-CAST SEMI-SCALE CABOOSE CHASSIS ASSEMBLY

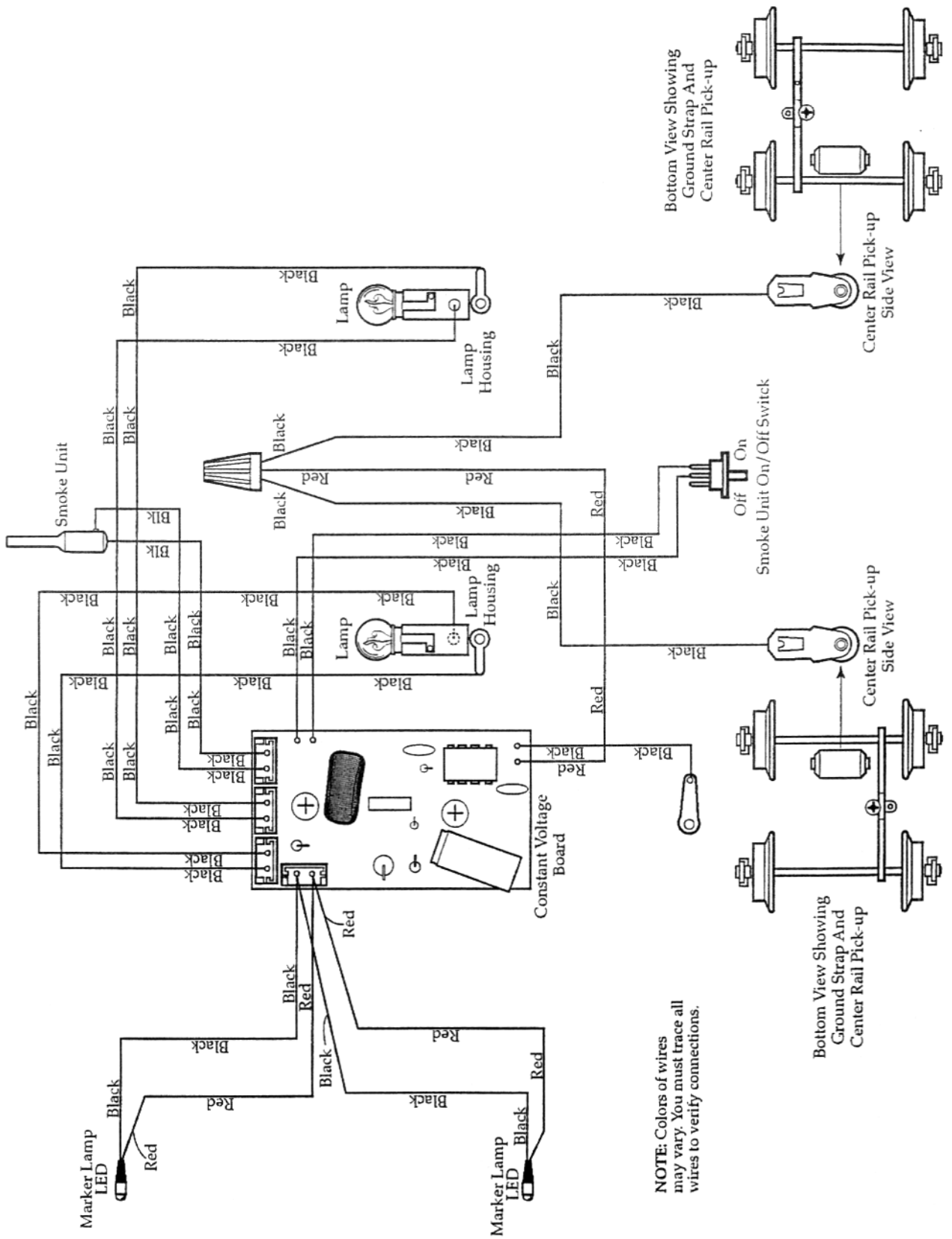
REF. NO.	PART NUMBER	QUANTITY PER UNIT	DESCRIPTION
1	6SP-7635-050	2	TRUCK COMPLETE (SILVER)
	6SP-7636-050	2	TRUCK COMPLETE (BLACK)
2		2*	SCREW M3.4X5.9 (MOUNTS TRUCK TO FRAME)
3	600-8306-633	4	SCREW M4-40X5/16
4	6SP-7635-010	2	BRAKE WHEEL ASSEMBLY (BLACK)
5	6SP-7635-085	1	FRAME (BLACK RAILS)
	6SP-7636-085	1	FRAME (YELLOW RAILS)
6	6SP-7635-028	1	LADDER (BLACK)
	6SP-7636-028	1	LADDER (YELLOW)
7	6SP-7636-075	1	BRAKE CYLINDER
8		1*	SCREW M3.4X3.7(MOUNTS BRAKE CYLINDER TO FRAME)
9	600-0015-300	2	LAMP (6VOLT)
10	6SP-7635-045	2	LAMP BRACKET ASSEMBLY
11	6SP-7635-046	2	LAMP BRACKET INSULATOR (CLEAR)
12	691-8057-T57	2	INSULATOR BUSHING
13		2*	SCREW M2.9X4.3(MOUNTS STANDOFF)
14		2*	STAND OFF (3/8")
15	610-9001-030	1	WIRE NUT
16		1*	CONSTANT VOLTAGE BOARD
17		2*	SCREW M2.9X5.7
18	6SP-7635-052	2	PICK UP ROLLER ASSEMBLY
19	600-9536-054	2	COLLECTOR BUSHING
20		2*	SCREW M2.8X5.7(MOUNTS AXLE CONTACT)
21	6SP-7635-156	2	AXLE CONTACT
22	6SP-7635-051	4	TRUCK BEARING
23		2*	SCREW M2.8X4.7 (MOUNTS SPRING TO UNCOUPLER ARMATURE)
24		2*	SPRING
25		2*	UNCOUPLER ARMATURE
26	691-00TC-023	2	RIVET
27	600-0480-016	2	SPRING
28	6SP-7635-056	2	KNUCKLE
29	6SP-7635-500	1	COMPLETE CHASSIS (100 TH ANNIVERSARY-GOLD)
	6SP-7636-500	1	COMPLETE CHASSIS (NEW YORK CENTRAL)
	6SP-7637-500	1	COMPLETE CHASSIS (QUICK VIA PEORIA)

*PARTS NOT AVAILABLE



6-17635 100TH ANNIVERSARY GOLD DIE-CAST SEMI-SCALE CABOOSE
 6-17636 NEW YORK CENTRAL DIE-CAST SEMI-SCALE CABOOSE

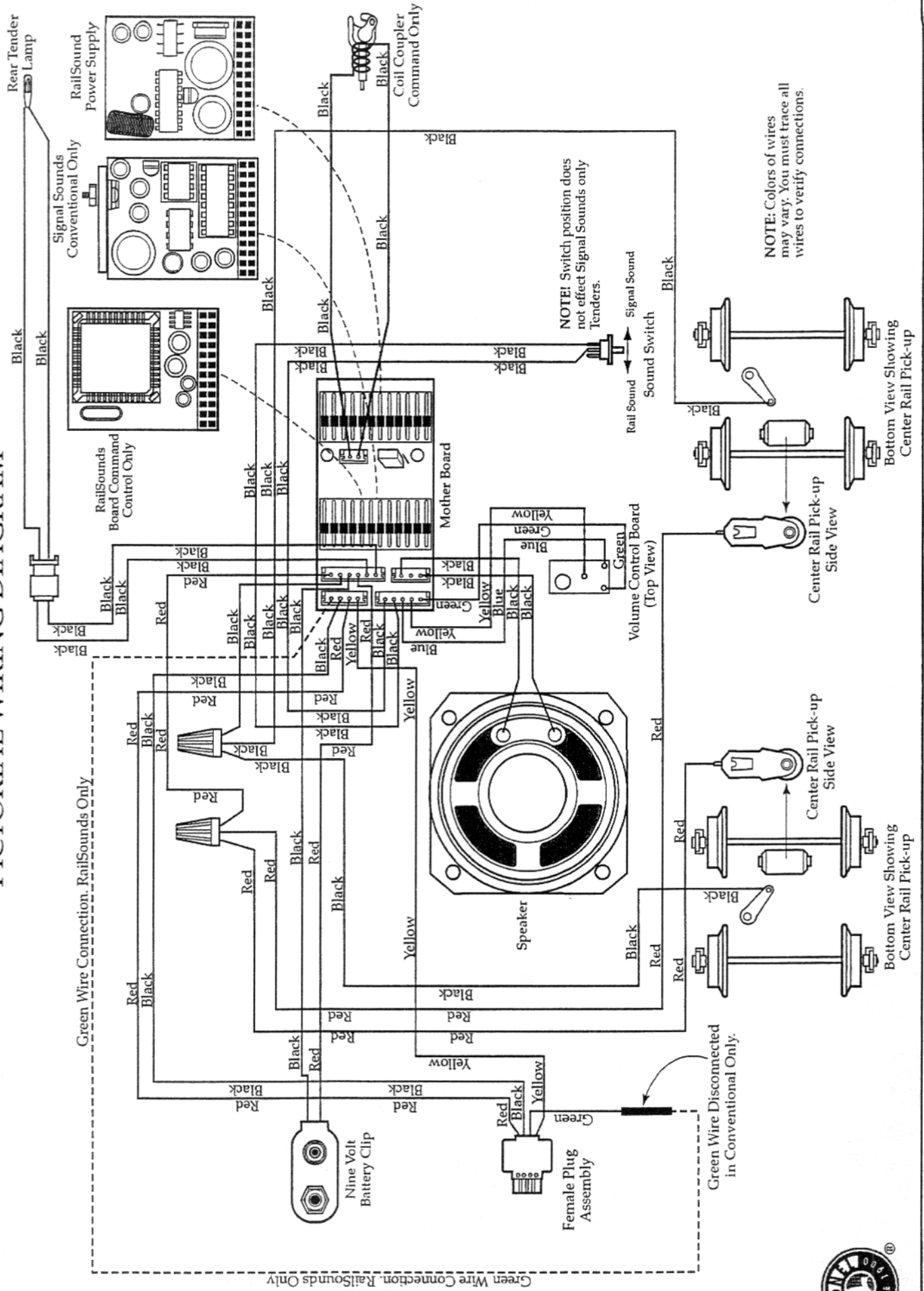
6-17637 QUICK VIA PEORIA DIE-CAST SEMI-SCALE CABOOSE PICTORIAL WIRING DIAGRAM



NOTE: Colors of wires may vary. You must trace all wires to verify connections.



TENDER FOR 4-6-0 CAMELBACK STEAM ENGINE WITH RAILSOUNDS / SIGNAL SOUNDS PICTORIAL WIRING DIAGRAM



4-6-0 CAMELBACK STEAM ENGINE CONVENTIONAL AND COMMAND CONTROL PICTORIAL WIRING DIAGRAM

