

INSTRUCTIONS

To replace the interior lights, follow these steps: Ret¹ive the recessed mounting screws located under the specific car you are servicing, as shown in Fig. A-C. Pop the roof of the car by holding each end of the car and twisting them in the opposite direction. Tilt the plastic housing for the bulb(s) you want to change so you can reach the light bulb, then pull the bulb gently from its socket, like a Christmas tree light. Replace the bulb and reassemble in reverse order. You can obtain replacement bulbs directly from the M.T.H. Parts Department (phone: 410-381-2580; e-mail: parts@mth-trainking.com; mail: 7020 Columbia Gateway Drive, Columbia MD 21046-1532)

STEP 1

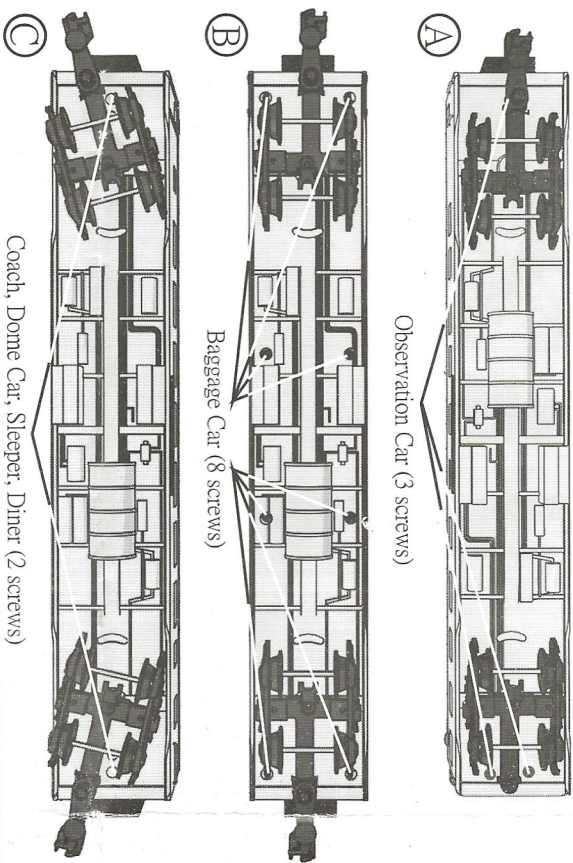
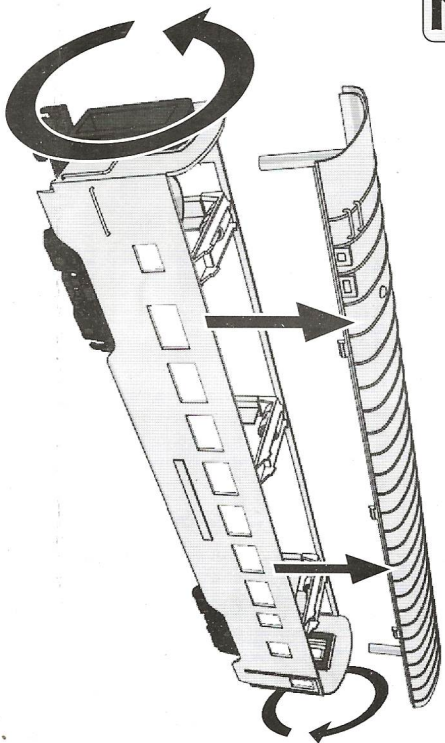
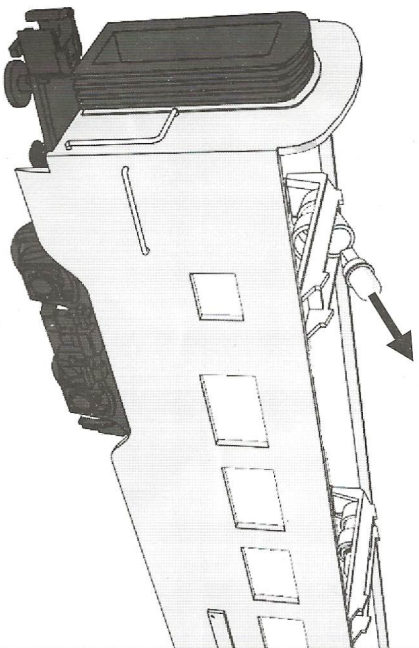


Figure A, B, C

STEP 2



STEP 3



This set is delivered without a coupler on the back of the observation car. Should you choose to add the spare coupler included with the set, follow the instructions below.

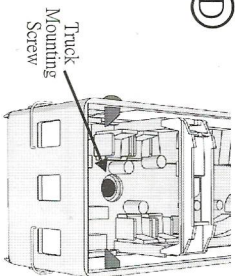
Complete steps 1 and 2 above to remove the roof from the observation car. Remove the truck mounting screw from inside the car as shown in Figure D and pull the truck loose from the body.

Install the coupler spring as shown in Figure E.

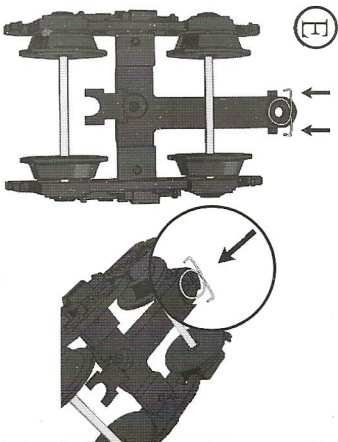
Screw the coupler onto the truck. As shown in Figure F.

Reassemble in reverse order.

D



E



F

