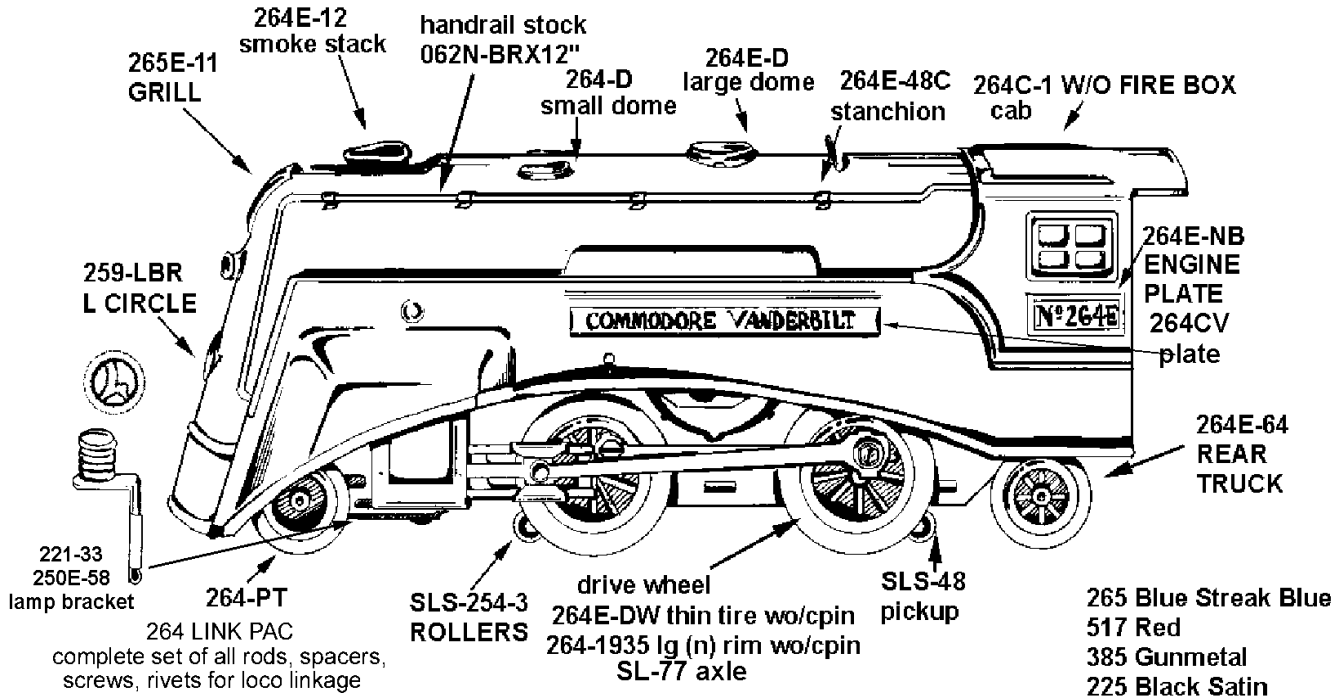
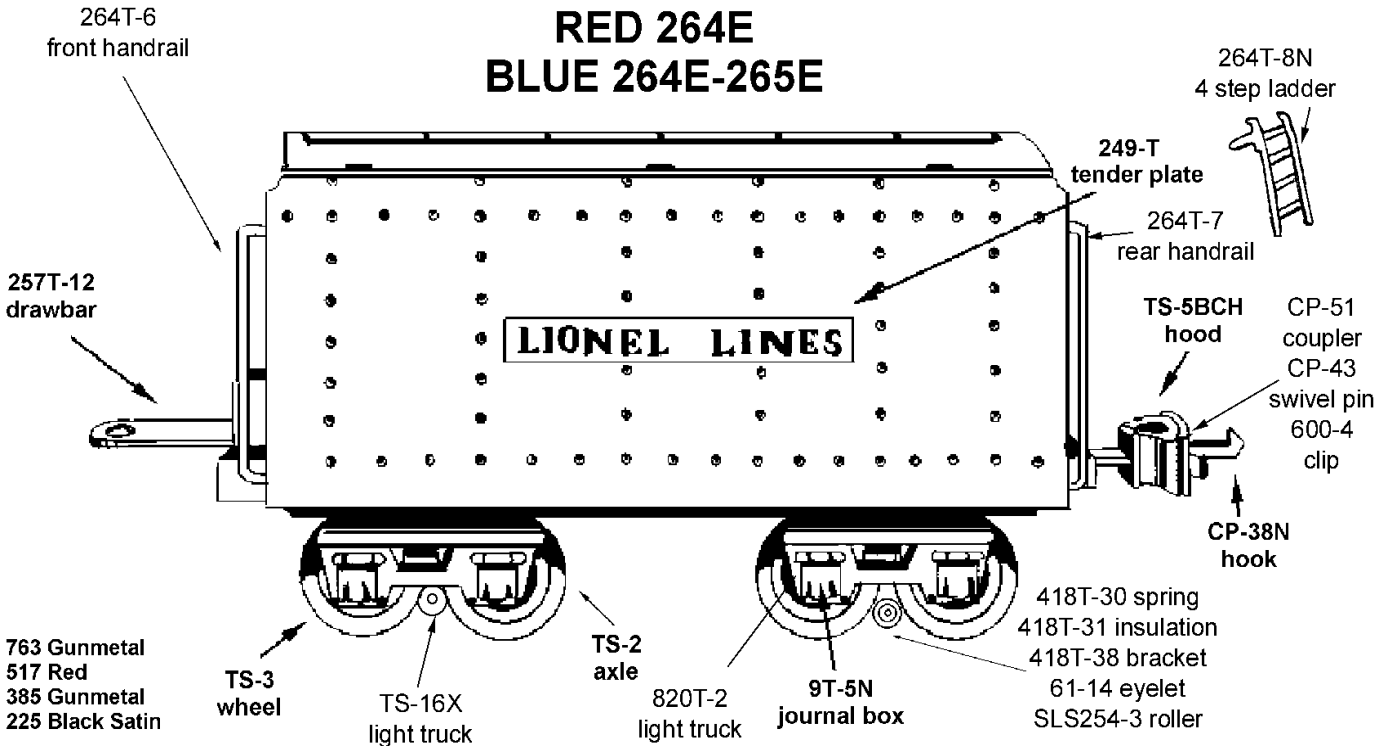


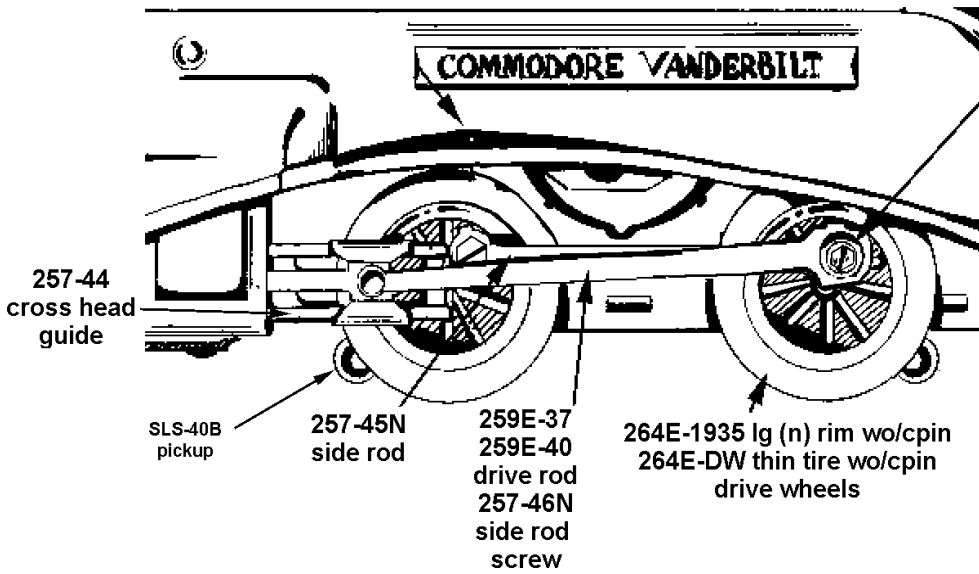
**264E 2-4-2 1935-1936 U1940
NYC COMMODORE VANDERBILT
STREAMLINED STEAM**



**265T-265TX-265W-2265T-2265W
BLACK 265E-249E-262E-264E
GUNMETAL 225E-238E-249E-265
RED 264E
BLUE 264E-265E**

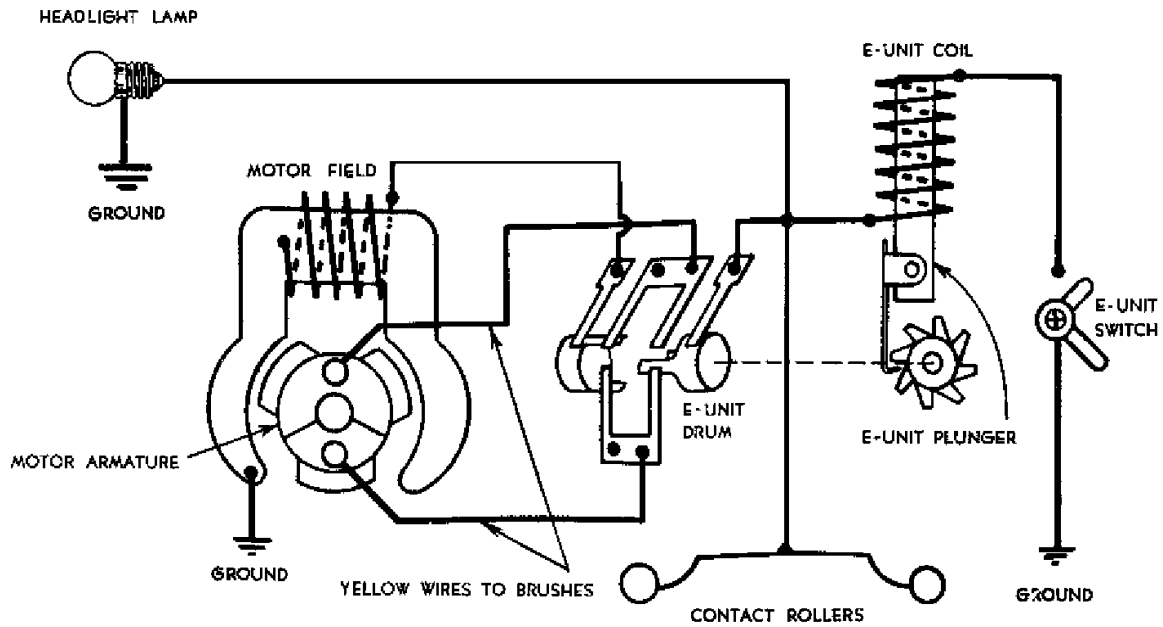


264E LOCO LINKAGE



264E-21C spacer
 264E-51 washer
 238E-24N drive rod screw
 this screw for cpin type wheels after 1937
 257-39 for wheels without cpin before 1938

264 LINK PAC
 complete set of all rods, spacers, screws, rivets for loco linkage



1942

"O" GAUGE TENDERS

No. 250T - 250W(α) - 2250T - 2250W(α) - 263T - 263W(α)
 2263T - 2263W(α) - 265T - 265W(α) - 2265T - 2265W(α)

PRICE	PART No.	DESCRIPTION	LOCATION
\$.25	CP-50	Coupler—Used on 263T & W	
.25	CP-51	Coupler—Used on 265T & W	
.25	CP-52	Coupler—Used on 250T & W	
.10	257-12	Drawbar—Used on 265T & W, 2265T & W	
.10	260T-4	Drawbar—Used on 250T & W, 2250T & W, 263T & W, 2263T & W	
.10	804-15C	Dome—Used on 250T & W, 2250T & W, 263T & W, 2263T & W	
.10	250T-9	Handrail—Used on 250T & W, 2250T & W	
.10	263T-7C	Handrail—Used on 263T & W, 2263T & W	
.10	264T-6C	Handrail—Used on 265T & W, 2265T & W (Chrome Tenders)	
.10	264T-6N	Handrail—Used on 265T & W, 2265T & W	
.10	264T-7C	Handrails, Hood—Used on 265T & W	
.10	264T-7N	Handrails, Hood—Used on 265T & W, 2265T & W	
.10	250T-7	Ladders—Used on 250T & W, 2250T & W	
.10	814-4C	Ladders—Used on 263T & W, 2263T & W	
.10	264T-8C	Ladders—Used on 265T & W, (Chrome Tenders)	
.10	264T-8N	Ladders—Used on 265T & W, 2265T & W	
.10	814-4	Ladders—Used on 2265T & W	
		Trucks (b)	

(a) For Whistle Parts see section under Whistles.
 (b) See section under Trucks.

Form No. 334C

Lionel Replacement Parts Catalogue

265T Tender Parts List - 1937

CP-51	coupler complete
257T-12	coupler drawbar
264T-6C	handrail
264T-6N	handrail
264T-7N	handrails, hood
264T-8C	ladders
264T-8N	ladders
TS-22	truck, plain
TS-21	cross brace & roll assembly
9T-5	journals
TS-20	journals
TS-2	wheel axle
TS-3	wheel complete
9T-16	washer, ground contact

264E Loco Parts List - 1935

0722-19

PART	261-262-261E-262E		250E		264E	
	PART NO.	PRICE	PART NO.	PRICE	PART NO.	PRICE
(State color and trim)						
Boiler and cab assembly less boiler head	261-50	\$1.50	250E-75	\$6.50	264E-50	\$3.50
Boiler and cab assembly less boiler head	262-50	1.50	----	----	----	----
Boiler and cab assembly less boiler head	261E-50	1.50	----	----	----	----
Boiler and cab assembly less boiler head	262E-50	1.50	----	----	----	----
Boiler and cab assembly less boiler head	----	----	----	----	----	----
Smokestack (Copper)	261-33	.10	----	----	----	----
Smokestack (Nickel)	261-6	.10	250E-55	.10	264E-12	.10
Stanchions for steampipe (Nickel)	385E-80	.02	----	----	----	----
Stanchions for steampipe (Copper)	385E-87	.02	----	----	----	----
Whistle	----	----	----	----	----	----
Bell	257-13	.05	----	----	----	----
Stanchions for handrail	----	----	250E-33	.01	1661-3	.02
Smokestack celluloid	----	----	----	----	----	----
Sandome (Copper)	261-34	.10	----	----	----	----
Sandome (Nickel)	261-7	.10	250E-35	.10	264E-11	.05
Steamdome (Copper)	261-35	.10	----	----	----	----
Steamdome (Nickel)	261-8	.10	250E-34	.10	264E-10	.10
Grill	----	----	----	----	265E-11	.20
Cab only with numberplate	----	----	----	----	264E-25	1.00
Boiler head assembly (state color and trim)	261-19	.65	----	----	----	----
Boiler head assembly (state color and trim)	----	----	----	----	----	----
Headlight ring	260E-38	.05	----	----	----	----
Lens	260E-67	.05	----	----	----	----
Red Celluloid	62-6	.01	----	----	----	----
Green Celluloid	62-7	.01	----	----	----	----
Celluloid numberplate	----	----	----	----	----	----
Boiler Head Catch (state color)	260E-53X	.15	----	----	----	----
Boiler Head Spring	260E-55	.02	----	----	----	----
Headlight	----	----	----	----	----	----
Bulls eye ring	----	----	----	----	----	----
(State color and trim)						
Frame assembly less steamchest and upper piston	261-51	2.00	----	----	----	----
Coupler rivet	257-23	.01	----	----	264E-15	.01
Stanchions for handrail	380-7	.03	----	----	----	----
Pump	260E-18	.10	----	----	----	----
Frame assembly less steamchest and upper piston (continued)	----	----	----	----	----	----
Cowcatcher	----	----	----	----	----	----
Firebox socket	----	----	250E-57	\$.15	264E-29	\$.15
Bracket with coupler rivet	257-26	.35	----	----	264E-27	.20
Steamchest assembly (state color)	----	----	----	----	----	----
Specify red or black wheels	257-34	.25	250E-73	.75	1661-23	.25
Front pilot truck complete	261-17	.25	250E-75	.75	259-27	.25
Rear trailer truck complete	257-33	.20	----	----	1661-26	.15
Pilot truck wheel and axle	260E-51	.15	----	----	----	----
Pilot truck wheel and ring	----	----	----	----	1661-7	.10
Pilot truck wheel only	----	----	250E-26	.15	----	----
Rear trailer truck wheel	----	----	250E-69	.15	----	----
Front pilot truck wheel	----	----	257-27	.05	----	----
Front pilot wheel axle	----	----	TS-2	.05	----	----
Rear trailer wheel axle	----	----	----	----	----	----
Motor Assembly complete, 1 plain	SLS258-5	4.00	----	----	----	----
Motor Assembly complete, 1 with controller	----	----	----	----	----	----
Motor Assembly with old style "E" Unit	262E-52	5.00	250E-76	6.50	264E-52	5.00
Motor Assembly with new style "E" Unit	----	----	----	----	----	----
Intermediate gear only	----	----	----	----	----	----
Intermediate gear and pinion (44 teeth—15/16" diam. for double reduction gearing)	----	----	----	----	----	----
Intermediate gear axle (for use with SLS-11 gear)	----	----	----	----	----	----
Intermediate gear and axle (52 teeth—1 1/8" diam. for single reduction gearing)	SLS254-25	.35	----	----	----	----
Intermediate gear and pinion (37 teeth—31/32" diam. for double reduction gearing)	262E-24	.35	262E-24	.35	262E-24	.35
Intermediate gear axle (for use with 262E-24)	262E-13	.05	262E-13	.05	262E-13	.05
Gear plate for use with SLS254-25	SLS254-21	.10	----	----	----	----
Gear plate for use with 262E-24 gear	262E-22	.15	250E-67	.15	262E-22	.15
Intermediate gear axle	SLS254-5	.10	----	----	----	----
Gear plate for use with SLS-11 gear	259E-25	2.00	260E-72	2.00	259E-25	2.00
"E" Unit complete (new style)	259E-26	.20	259E-26	.20	259E-26	.20
Center contact assembly with wires	259E-32	.30	259E-32	.30	259E-32	.30
Center and side contact assembly with wires	259E-1	.25	259E-1	.25	259E-1	.25
Contact drum	----	----	----	----	----	----

264E Loco Parts List - 1935

PART	261, 262, 261E and 262E		250E		264E	
	PART NO.	PRICE	PART NO.	PRICE	PART NO.	PRICE
"E" Unit complete (old style)	----	----	----	----	----	----
Arm and spring assembly with contact panel	----	----	----	----	----	----
Arm and spring assembly	----	----	----	----	----	----
Contact panel with contacts	----	----	----	----	----	----
Circuit breaker arm	----	----	----	----	----	----
Circuit breaker spring assembly	----	----	----	----	----	----
Equalizing spring	----	----	----	----	----	----
Brass nuts for panel connections	----	----	----	----	----	----
Chugger assembly (260E only)	----	----	----	----	----	----
Chugger switch assembly (260E only)	----	----	----	----	----	----
Controller for chugger (260E only)	----	----	----	----	----	----
Spring for hand controller	CON-11	\$.02	----	----	----	----
Contact points for hand controller	CON-12	.01	----	----	----	----
Controller for Hand Reverse locos.	CON-37	.75	----	----	----	----
Armature Comp. with pinion for use with SLS-11 gear	----	----	----	----	----	----
Armature Comp. with pinion for use with SLS254-25 gear	SLS254-27	1.10	----	----	----	----
Armature Comp. with pinion for use with 262E-24 gear	262E-23	1.10	262E-23	\$1.10	262E-23	\$1.10
Armature pinion for use with SLS-11 gear	----	----	----	----	----	----
Armature pinion for use with SLS254-25 gear	SL-85	.05	----	----	----	----
Armature pinion for use with 262E-24 gear	262E-15	.05	262E-15	.05	262E-15	.05
Brush plate and brush holders (no springs)	SLS254-10	.35	SLS254-10	.35	SLS254-10	.35
Armature pinion	----	----	----	----	----	----
Armature less pinion	----	----	----	----	----	----
Shoe assembly	SLS-48	.75	SLS-48	.75	SLS-48	.75
Roller	SLS254-3	.10	SLS254-3	.10	SLS254-3	.10
Sliding contact	----	----	----	----	----	----
Gear wheel with gear and axle for use with SLS-11 or SLS254-25 gears (state color)	SLS257-6	.40	----	----	----	----
Gear wheel with gear and axle for use with 262E-24 gear	259-54	.40	250E-78	.40	264E-54	.40
Plain wheel and ring (state color)	SLS257-7	.25	250E-79	.25	264E-55	.25
Gear wheel (with hub)	----	----	----	----	----	----
Gear wheel (no hub)	----	----	----	----	----	----
Plain wheel (with hub)	----	----	----	----	----	----
Plain wheel (no hub)	----	----	----	----	----	----
Wheel axle	----	----	----	----	----	----
Single Items:						
Eccentric rod assembly	----	----	----	----	----	----
Cowcatcher	----	----	----	----	----	----
Flagholder	----	----	----	----	----	----
2 flags in envelope	390-76	\$.05	----	----	----	----
Red lamp for firebox	----	----	----	----	----	----
Clear lamp for headlight	27	See general Catalog	28	See general Catalog	27	See general Catalog
Wire and washer for firebox or headlight	259-39	.10	437-44	.10	257-49	.10
Upper piston and support	257-38	.10	250E-64	.40	----	----
Screw for upper piston and support	257-36	.01	----	----	----	----
Drive rod and lower piston LH	257-43	.15	250E-63	.25	259-37	.15
Drive rod and lower piston RH	257-48	.15	250E-62	.25	259-40	.15
Drive rod screw	257-39	.05	250E-23	.05	257-39	.05
Spacer	257-40	.05	----	----	257-40	.05
Connecting rod	257-45	.10	----	----	257-45	.05
Connecting rod screw	257-46	.05	3x1/2 F.H.I.	.05	257-46	.05
Drive rod	----	----	----	----	----	----
Pilot truck screw	390-32	.05	----	----	----	----
Washers to hold pilot trucks	600-4	.02	600-4	.02	600-4	.02
Pilot truck spacer spring	259E-60	.05	259E-60	.05	259E-60	.05
Cotter pin for pilot trucks (old assembly method)	418-28	.01	----	----	----	----
Brush spring	1-48	.05	1-48	.05	1-48	.05
Carbon brush priced per pair	74A-1	.50	74A-1	.50	74A-1	.50
Lamp socket and bushing	----	----	250E-56	.15	250E-56	.15
Wheel axle bushing	SL-90	.10	SL-90	.10	SL-90	.10
Lantern assembly	----	----	250E-74	.25	----	----