

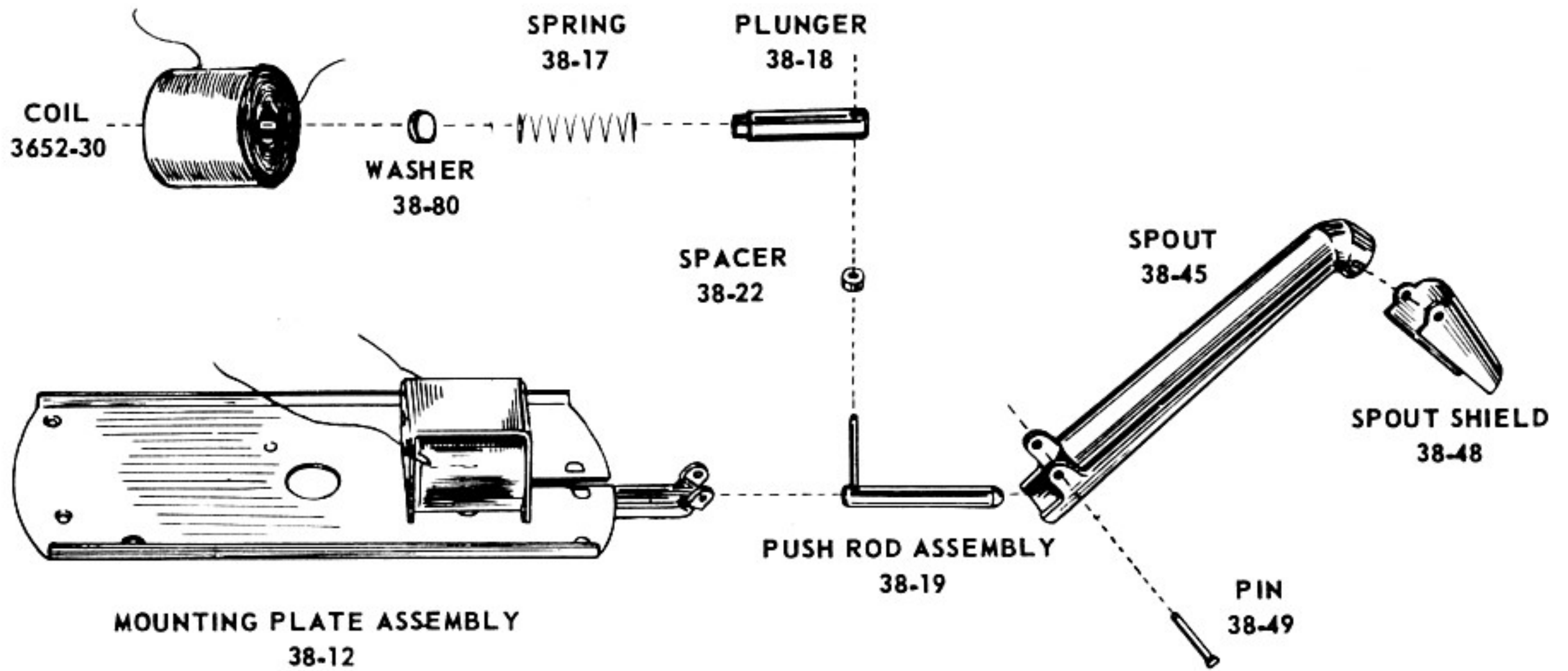
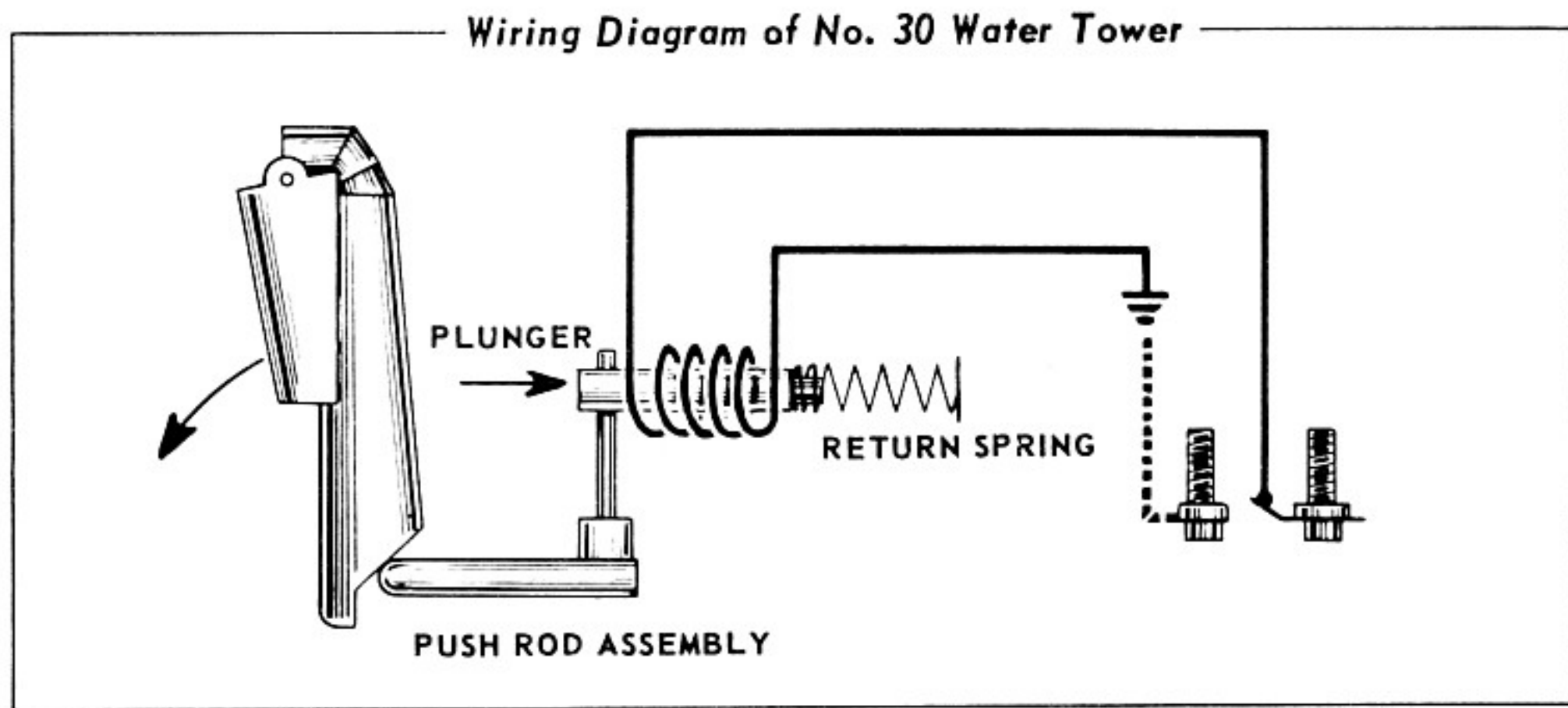
# LIONEL SERVICE MANUAL

## NO. 30 WATER TOWER

No. 30 Water Tower, first made in 1947, is arranged to raise and lower its water spout as if to fill the locomotive tender. The movement of the water spout is accomplished by a coil-and-solenoid mechanism linked to a pushrod which bears against the bottom of the water spout. In its normal non-operating position the water spout is kept in upright position by a coiled spring located in the back of the solenoid plunger tube. When the solenoid is energized the plunger moves back into the tube drawing the push rod with it and allowing the water spout to lower itself by gravity.

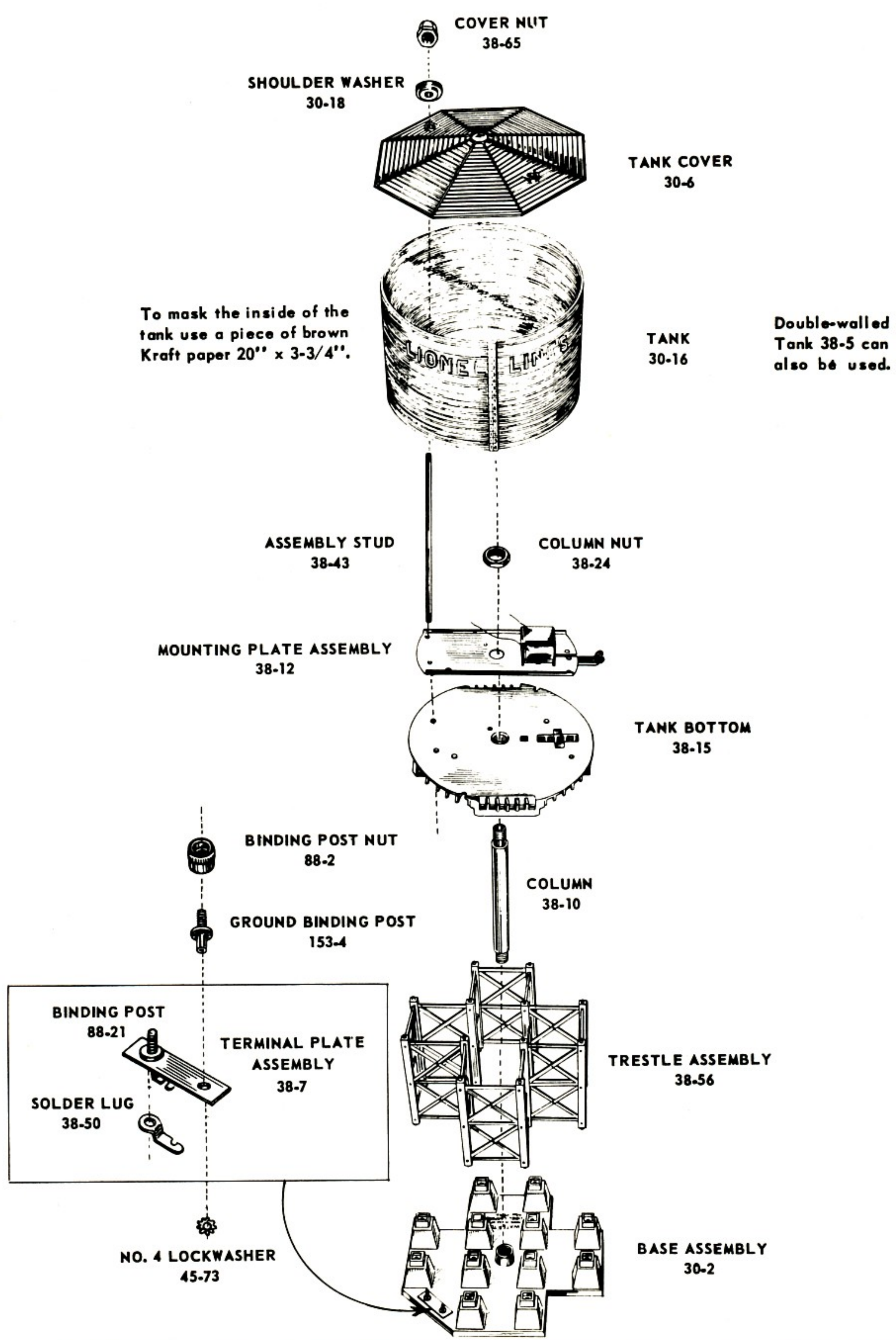
One side of the coil is connected to an insulated binding post while the other side is grounded to the tower base through the coil mounting plate and the metal supporting column.

No. 30 Water Tower should not be confused with No. 38 Pumping Water Tower, made only in 1947, in addition to the operating water spout was equipped with a motorized pump to simulate rising and falling water level within the double walls of the water tank.





# LIONEL SERVICE MANUAL



Double-walled  
Tank 38-5 can  
also be used.

## LIONEL SERVICE MANUAL

## REPLACEMENT PARTS FOR NO. 30 WATER TOWER

Part No.	Part Name	List Price
30-2	Base Assembly	2.50
30-6	Tank Cover	.45
30-16	Tank	2.00
30-18	Shoulder Washer	.05
38-7	Terminal Plate Assembly	.20
38-10	Column	.50
38-12	Mounting Plate Assembly	1.25
38-15	Tank Bottom	.75
38-17	Spring	.10
38-18	Plunger	.20
38-19	Push Rod Assembly	.15
38-22	Spacer	.05
38-24	Column Nut	.15
38-43	Assembly Stud	.10
38-45	Spout Assembly	.35
38-48	Spout Shield	.05
38-49	Pin	.03
38-50	Solder Lug	.05
38-56	Trestle Assembly	1.50
38-65	Cover Nut	.05
38-80	Washer	.05
45-73	No. 4 Lockwasher	.02
88-2	Binding Post Nut	.03
88-21	Binding Post	.05
153-4	Ground Binding Post	.05
3652-30	Coil	.40



---

**LIONEL SERVICE MANUAL**


---

NO. 30 - WATER TOWER

<u>Part Number</u>	<u>Location</u>	<u>Unit Price</u>	<u>Min. Quan.</u>	<u>Description</u>
30-2	Obsolete			Base Assem.
30-6	Obsolete			Tank Cover
30-16	J-38	2.50		Tank
30-18	D-99	.05	12	Shoulder Washer
38-7	H-74	.30		Terminal Plate Assem.
38-10	H-74	.25		Column
38-12	H-74	1.50		Mtg. Plate & Coil Assem.
38-15	H-24	1.00		Tank Bottom
38-17	H-84	.10	6	Spring
38-18	H-84	.20		Plunger
38-19	H-84	.20		Push Rod Assem.
38-22	H-84	.05	12	Spacer
38-24	H-84	.15	4	Column Nut
38-43	H-84	.10	6	Assem. Stud
38-45	H-34	.50		Spout Assem.
38-48	H-87	.05	2	Spout Shield
38-49	H-55	.03	6	Pin
38-50	H-55	.10	6	Solder Lug
38-56	D-42	2.00		Trestle Assem.
38-65	H-55	.05	12	Cover Nut
38-80	H-74	.05	12	Washer
45-73	A-61	.02	25	#4 Lockwasher
88-2	G-83	.05	25	Binding Post Nut
88-21	H-86	.05	12	Binding Post
90-1	H-34	1.25	2	Controller
96C-1	Sub. 90-1			Controller
153-4	I-94	.05	10	Ground Binding Post
3652-30	L-96	.50		Coil