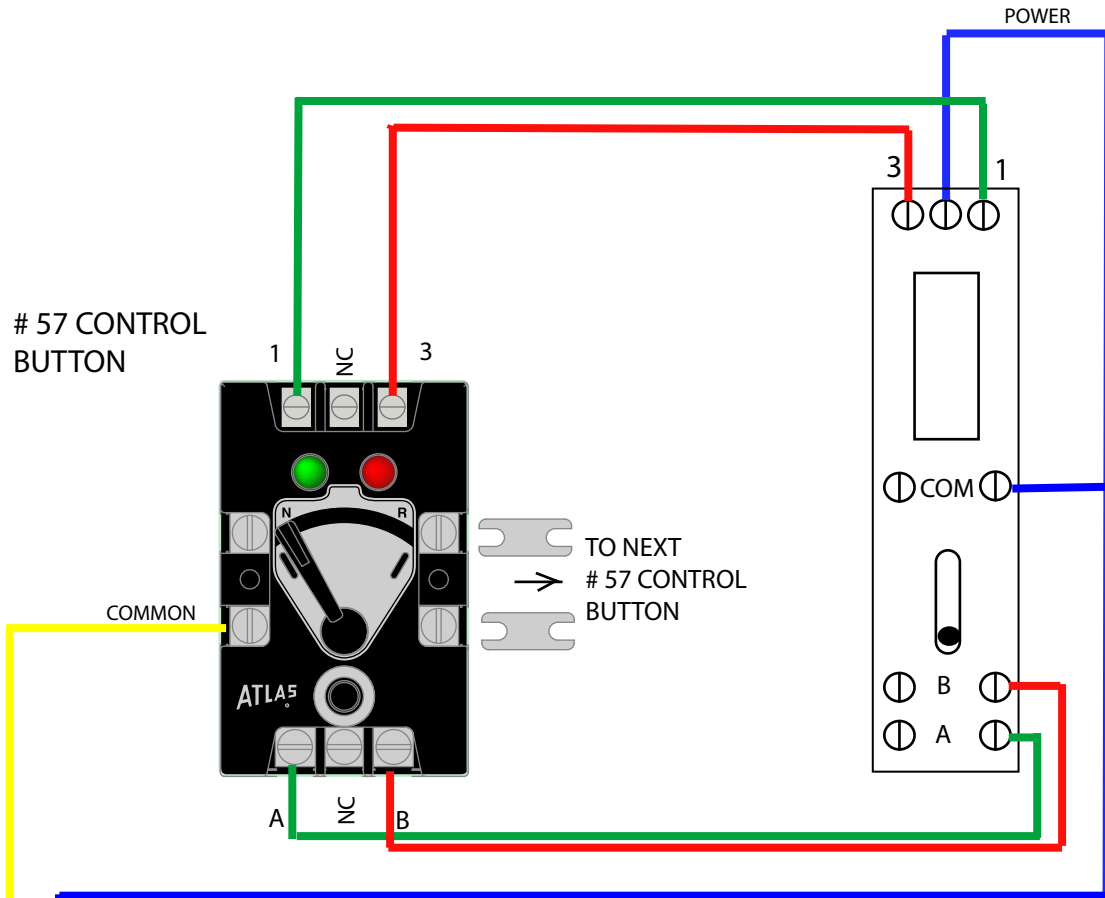


WIRING THE # 57 CONTROL BUTTON USING THE ATLAS UNDER TABLE SWITCH MACHINES 6098, #66, 65 AND SNAP RELAY #200. SWITCH THROW CONTROLS LED ILLUMINATION.



ATLAS O 80 WATT	LIONEL ZW	MTH Z4000	ATLAS 311	ATLAS O 30 WATT
B	B/C	14VAC	ACC	A
U COMMON	U COMMON	U COMMON	COM	U

FOR ADDITIONAL WIRING PLANS PLEASE VISIT THE ATLAS MODEL RR WEBSITE (ATLASRR.COM / SUPPORT)