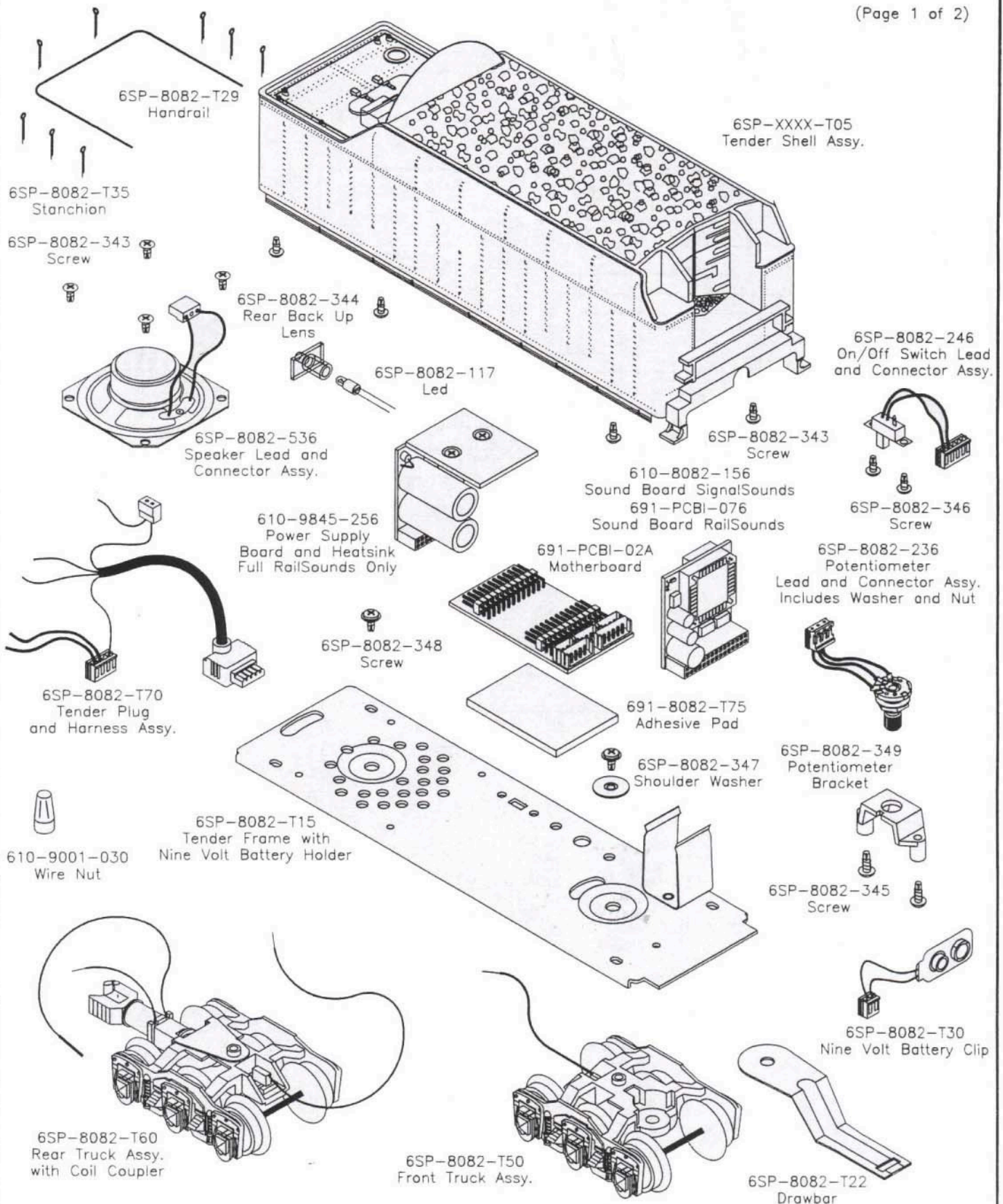


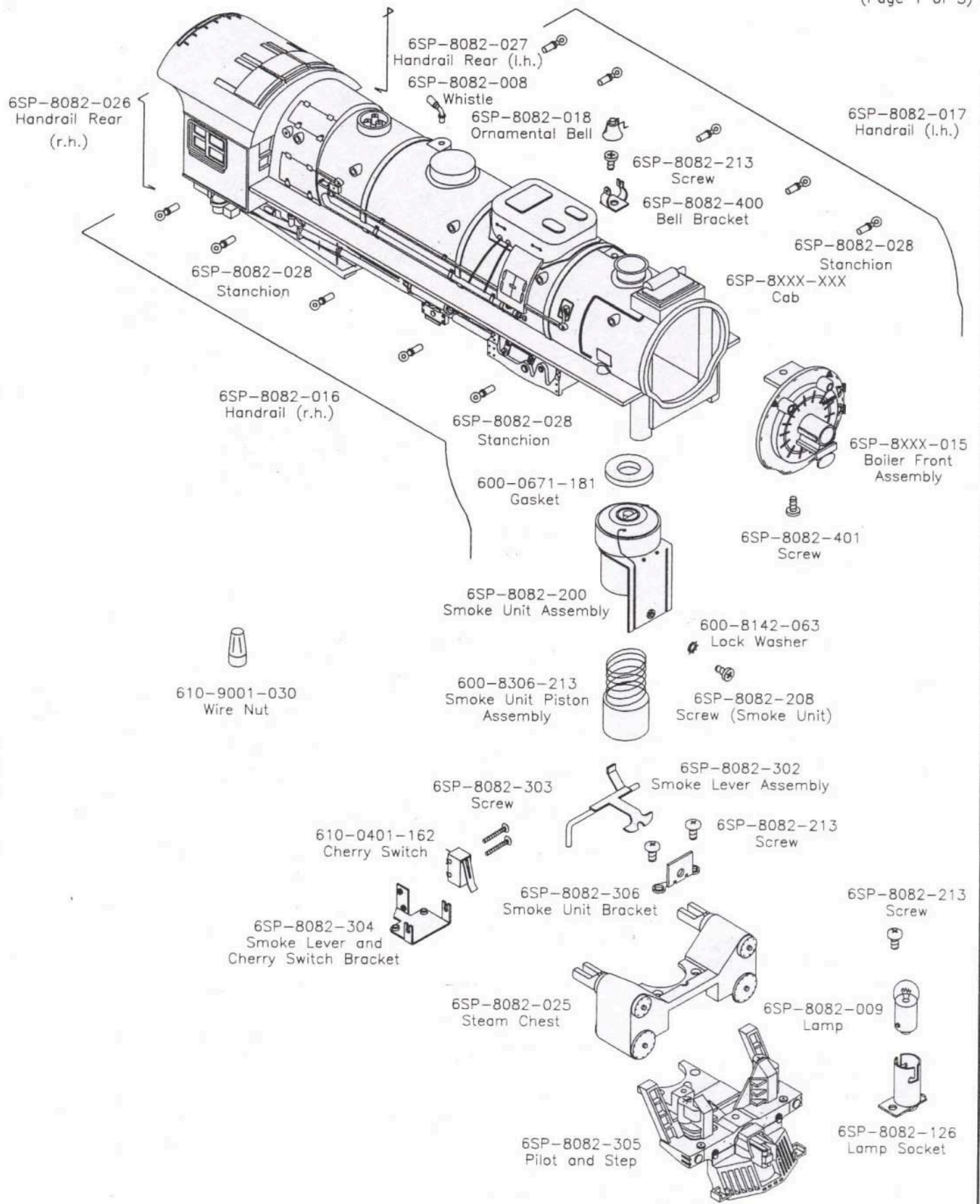
8000 SERIES NO. 1 HUDSON TENDER

(Page 1 of 2)



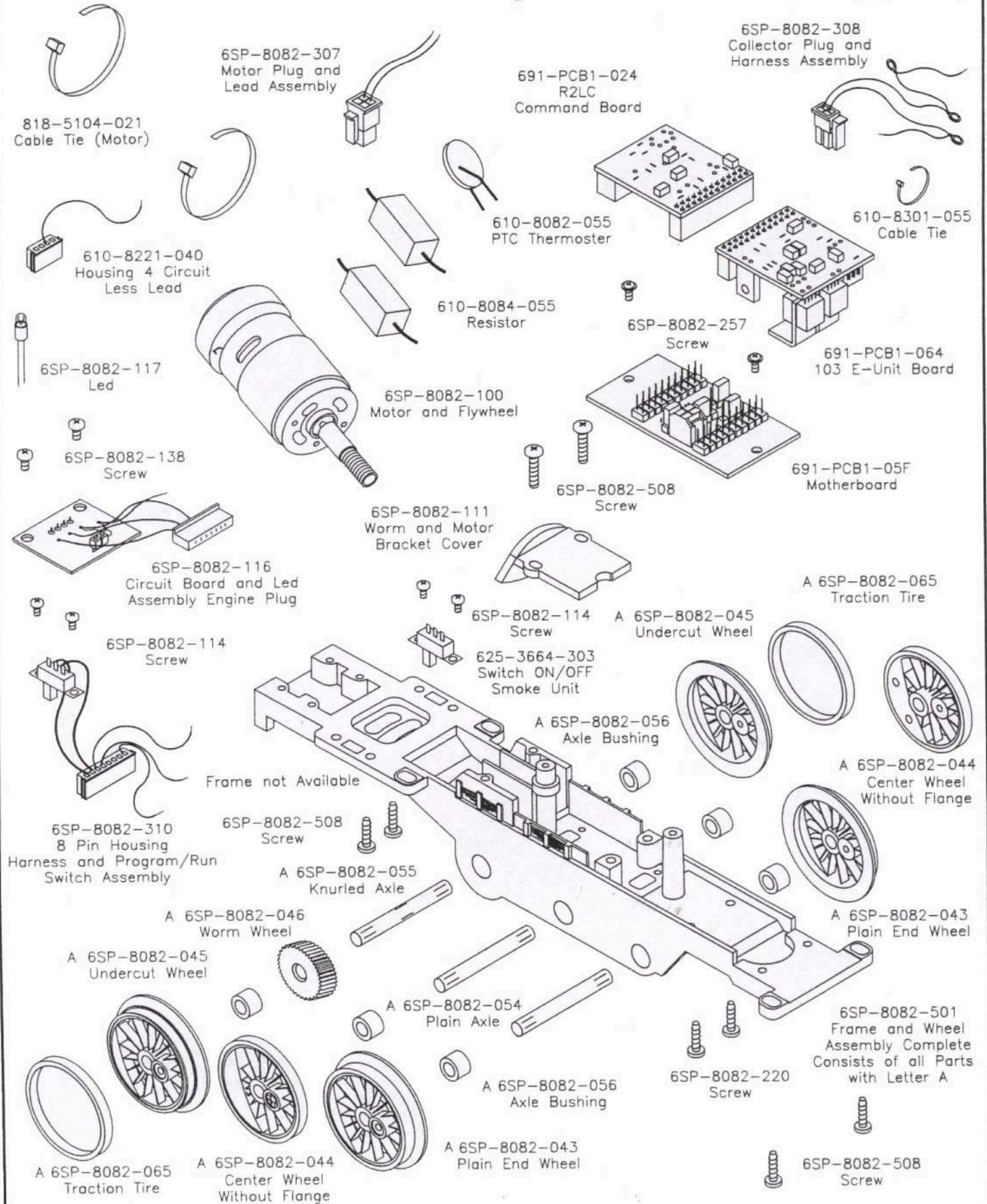
8000 SERIES NO. 1 4-6-4 HUDSON STEAM LOCOMOTIVE

(Page 1 of 5)



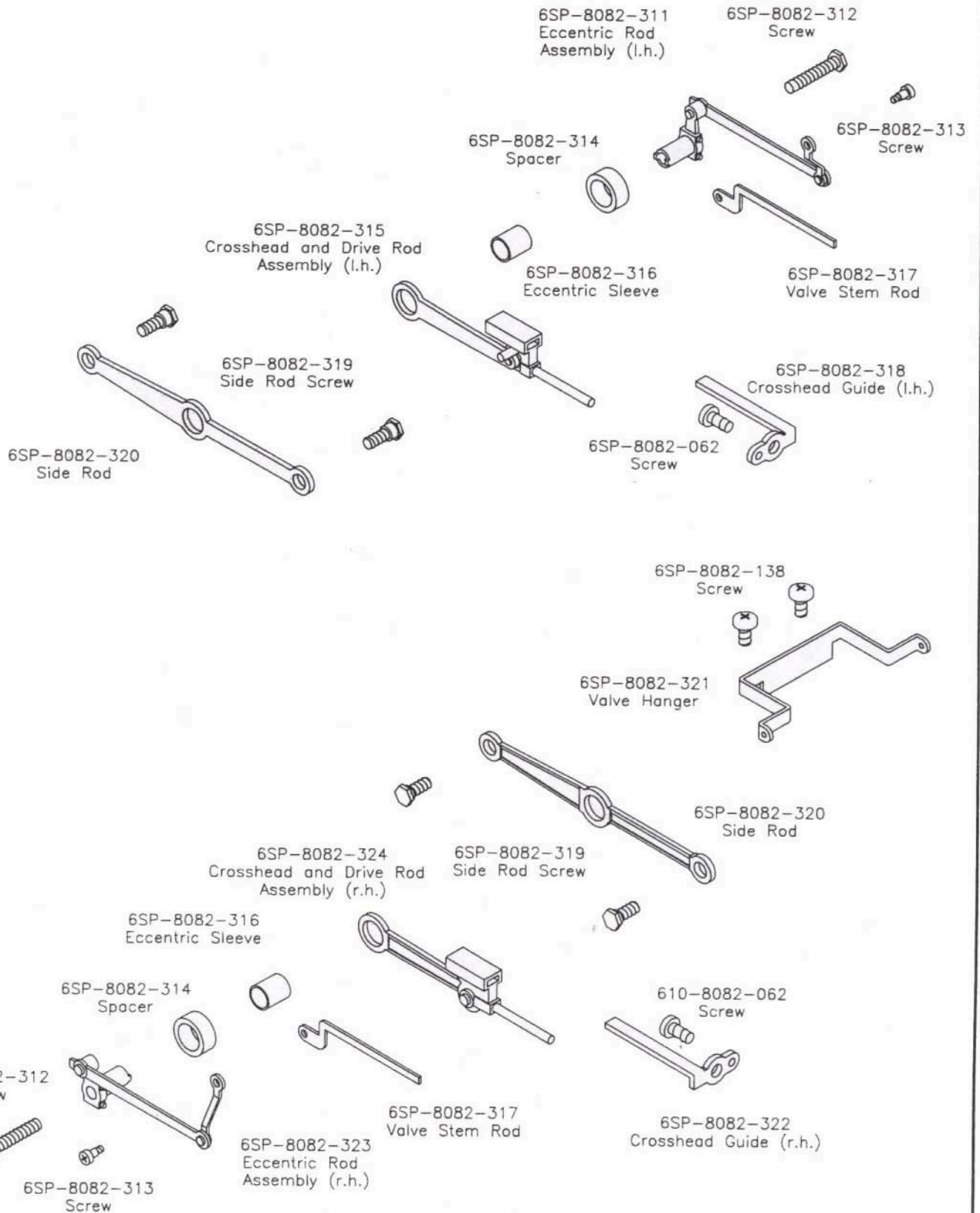
8000 SERIES NO. 1 4-6-4 HUDSON STEAM LOCOMOTIVE

(Page 2 of 5)



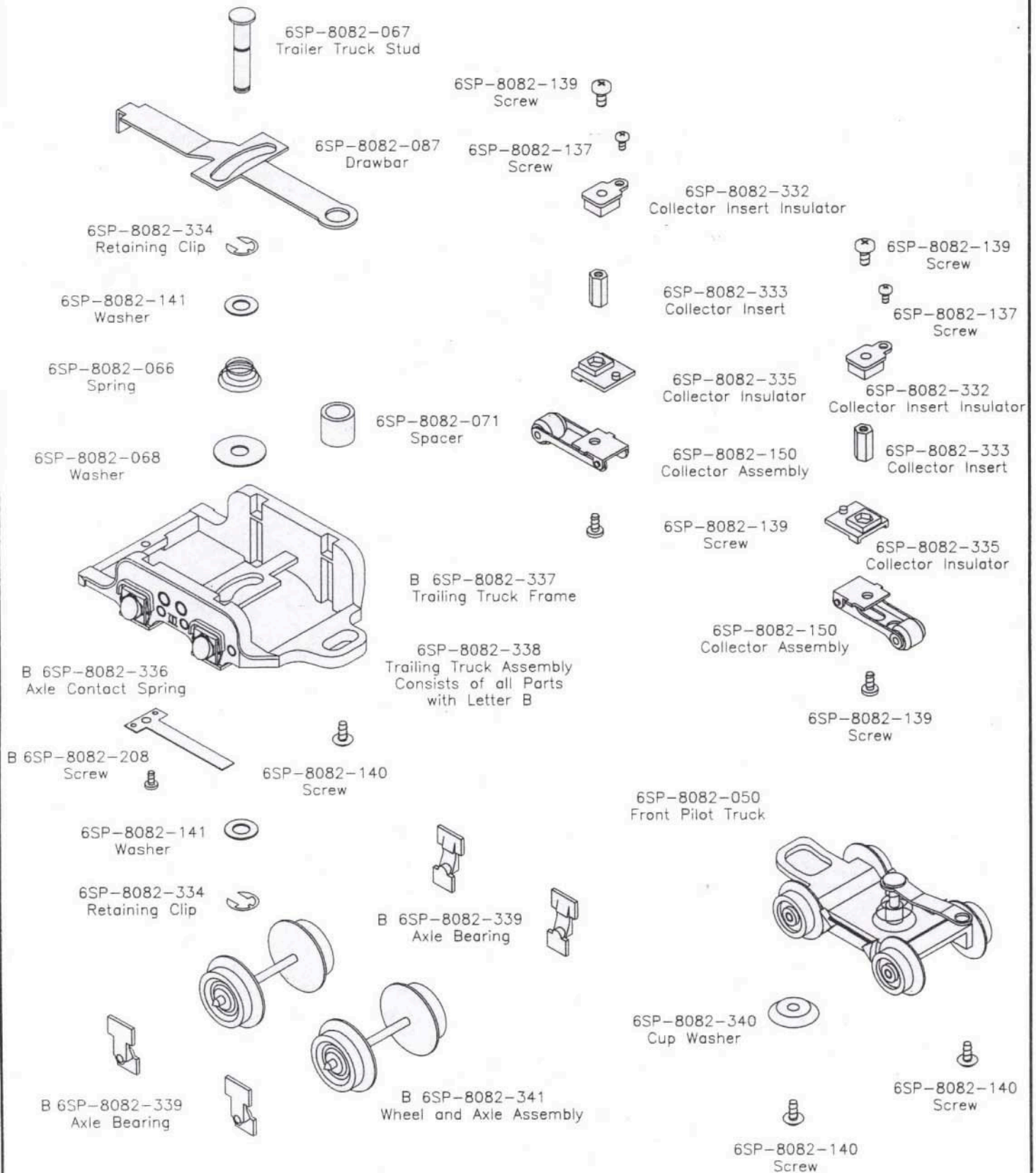
8000 SERIES NO. 1 4-6-4 HUDSON STEAM LOCOMOTIVE

(Page 3 of 5)



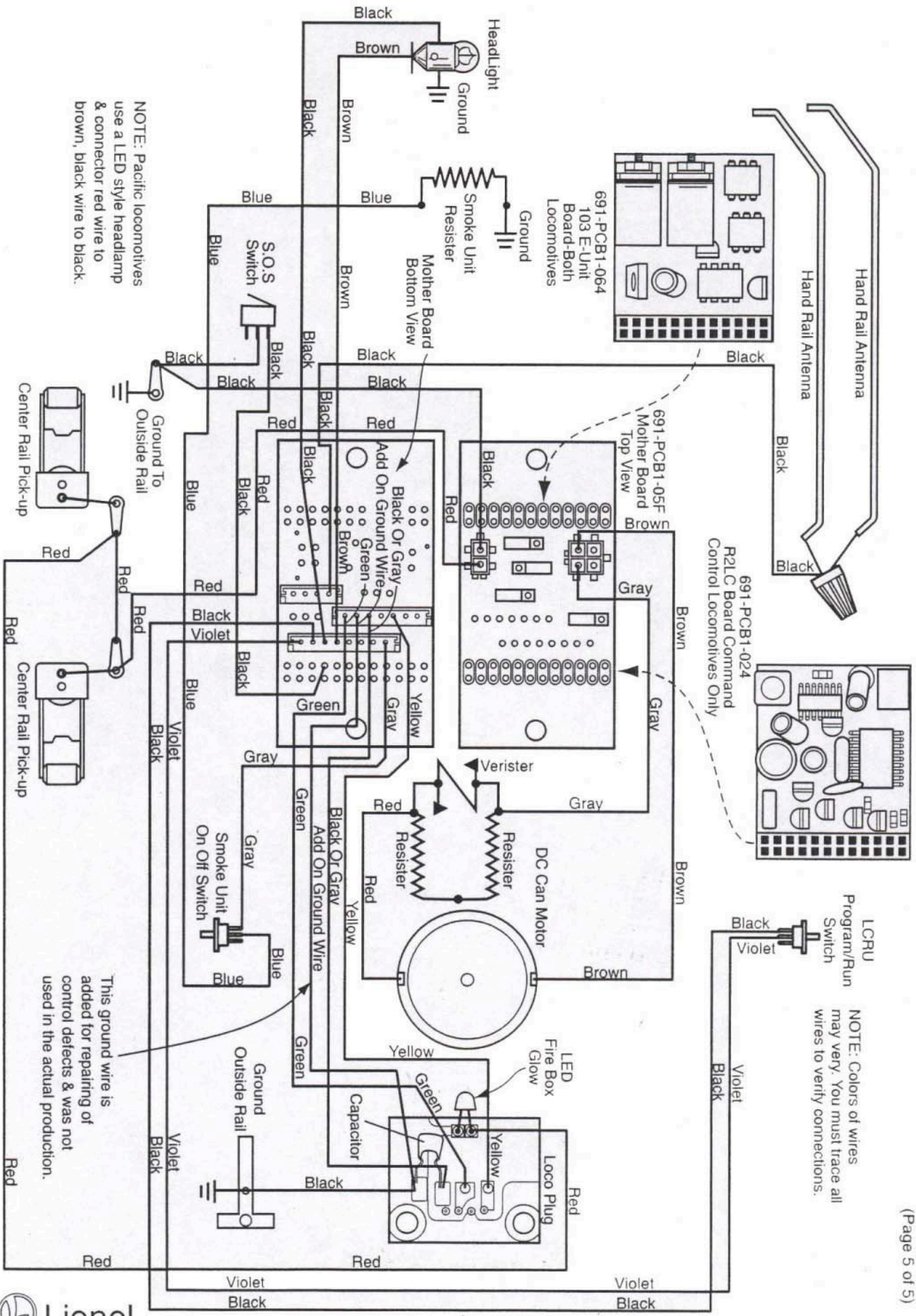
8000 SERIES NO. 1 4-6-4 HUDSON STEAM LOCOMOTIVE

(Page 4 of 5)



LIONEL 4-6-4 HUDSON & 4-6-2 PACIFIC LOCOMOTIVE'S PICTORIAL WIRING DIAGRAM SERIES ONE

(Page 5 of 5)



NOTE: Pacific locomotives use a LED style headlamp & connector red wire to brown, black wire to black.

This ground wire is added for repairing of control defects & was not used in the actual production.

