

LIONEL SERVICE MANUAL

NO. 3356 AND 3366 HORSE CARS

The operating principle of No. 3356 Car and Corral is similar to that used in No. 3656 Stock Car. Both the car and the corral are equipped with vibrator coils which cause the runway inside the car and the floor of the corral to vibrate rapidly. The interaction between these vibrating surfaces and miniature rubber "fingers" on the base of the animals cause the figures to move forward in the corral and car runways.

This operating car and platform is designed for use with "0", "027" and "Super-0" track. However, since these tracks vary in rail height the platform is provided with four rubber feet which may be inverted to raise or lower the platform.

The car runway is equipped with a slide assembly to hold horses in the runway. This slide assembly is operated by the rear center door which is opened to hold the horses within the car while they are being loaded from the corral to the car.

The vibrator coil in the car is also provided with a plunger which is linked to the end doors of the car. As the coil is energized the doors drop down converting to ramps connecting the car to the corral.

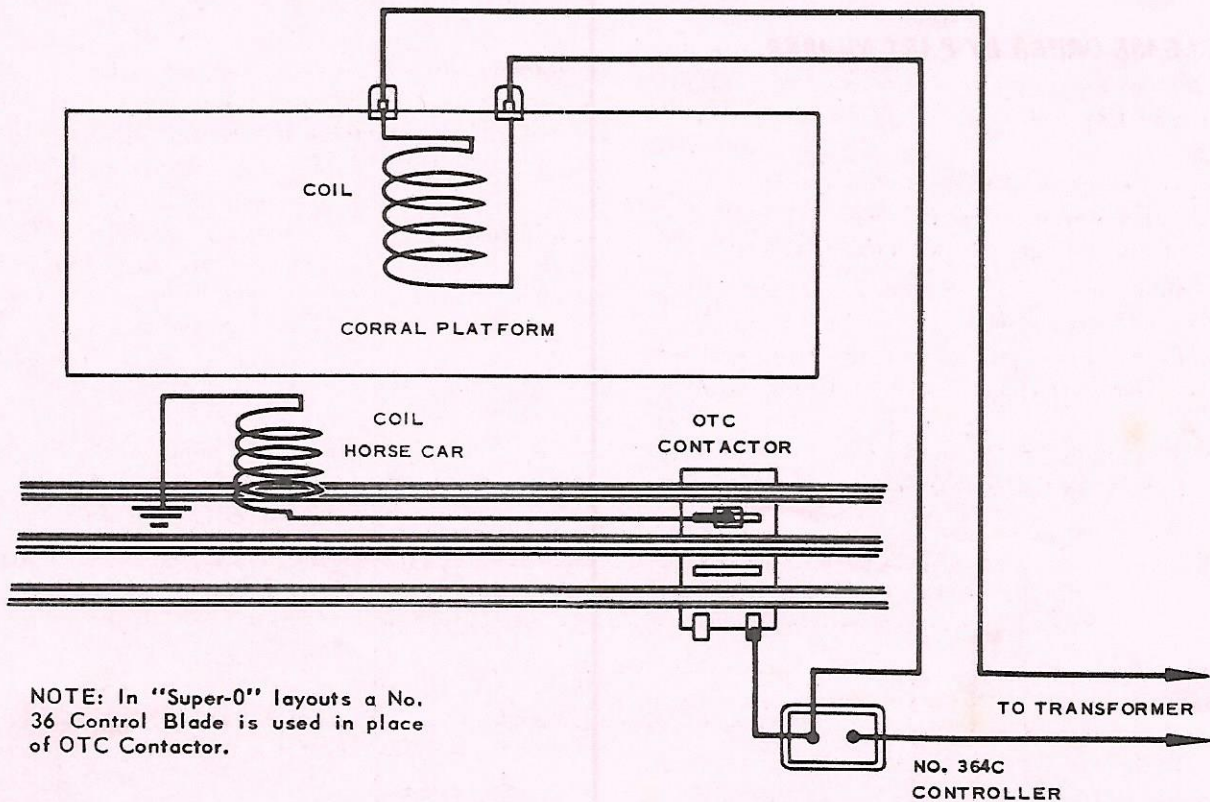
Unlike most operating cars No. 3356 and 3366 cars have only one slide shoe which is connected to the "high" side of the coil. The other side of the electric circuit is grounded through the metal framework and truck wheels of the car to the outside track rails. This type of wiring is used so that the car will operate only when properly oriented on the track with its drop doors facing the corral.

The vibration of the car runway is regulated by adjusting the air gap between the coil bracket and its armature. The screw which holds the armature is located in line with the rear door and is reached by removing the car body.

The vibrator of the corral ramps is adjusted by adjusting the four Cap Nuts which hold the corral platform to the mounting springs riveted to the base. *Service Notes.* The Corral Platform has locating arms to hold the platform to the trackside. The rivet holding each cannot be replaced. A sheet metal screw together with a washer will make a suitable replacement.

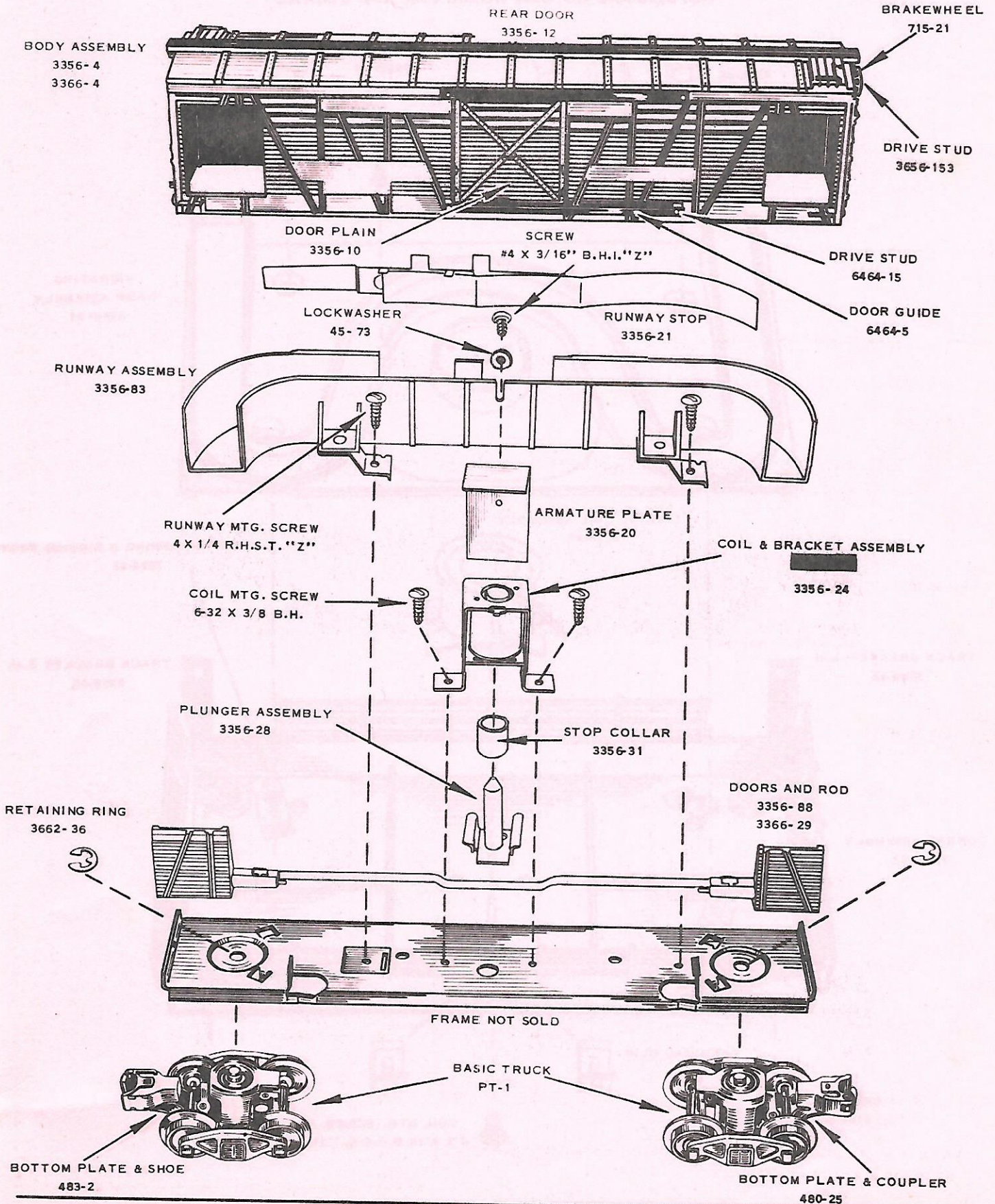
Care must be taken to adjust the operating doors so that they lower fully and evenly to the corresponding lip of the corral runway.

Wiring Diagram for Nos. 3356 and 3366 Horse Car and Platform



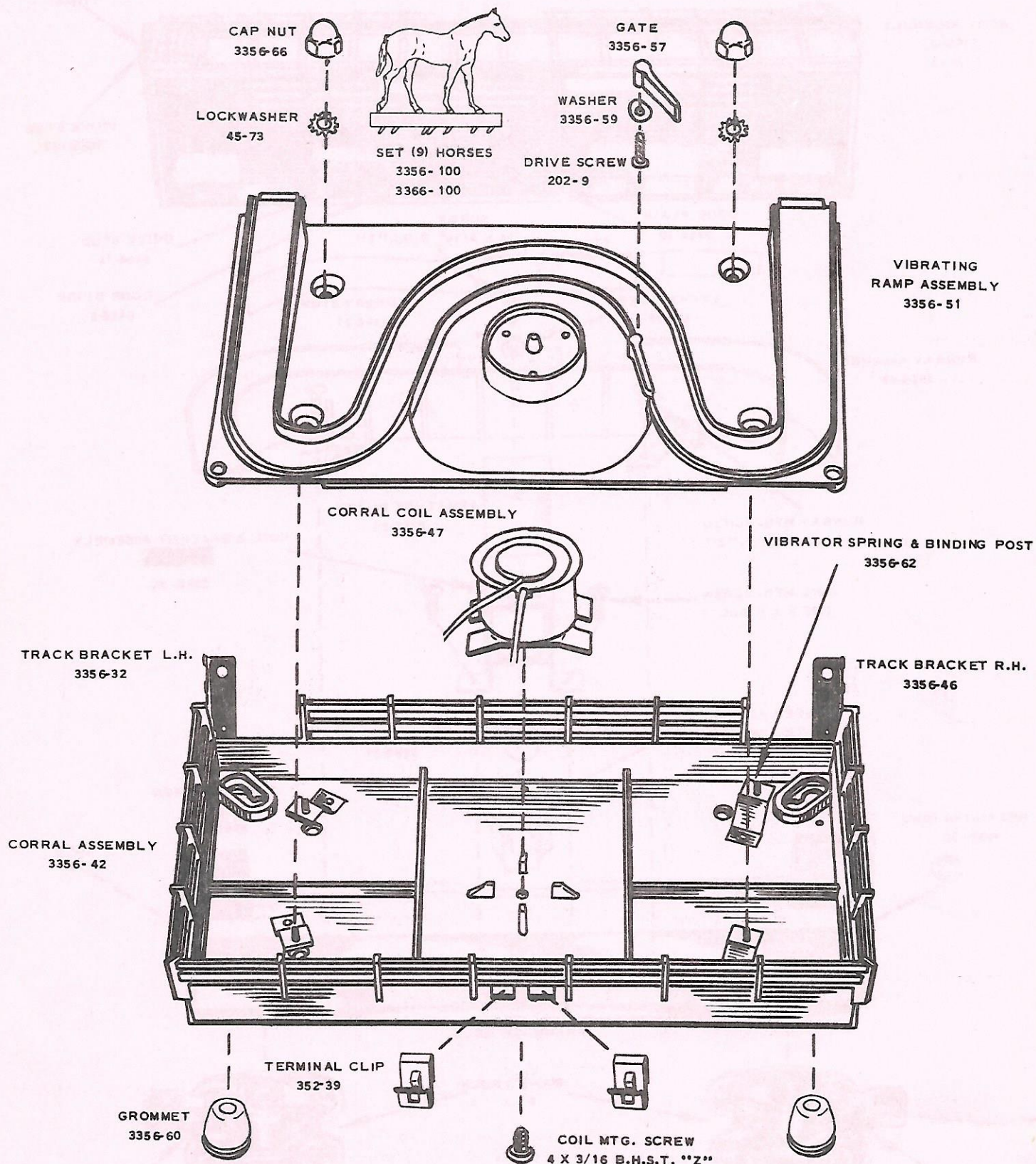
LIONEL SERVICE MANUAL

NO. 3356 AND NO. 3366 HORSE CAR AND CORRAL



LIONEL SERVICE MANUAL

NO. 3356 AND NO. 3366 HORSE CAR AND CORRAL



LIONEL SERVICE MANUAL

REPLACEMENT PARTS FOR NOS. 3356 AND 3366

<u>Part No.</u>	<u>Bin</u>	<u>Description</u>	<u>List Price</u>
<u>CAR BODY COMPONENTS</u>			
3356-4	J-22	Body Assem.	3.50
3366-4	B-62	Body Assem.	3.50
3356-12	J-62	Rear Door	.20
3356-10	J-62	Plain Door	.20
6464-5	A-75	Door Guide	.10
6464-15	E-45	Drive Stud	.02
715-21	L-41	Brakewheel	.10
3656-153	M-48	Drive Stud	.02

CAR RUNWAY COMPONENTS

3356-83	J-34	Runway Assem.	1.00
3356-21	J-72	Runway Stop	.60
#4 x 3/16"	Q-54	BHI "Z" Screw	.02
45-73	A-61	Lockwasher	.02
#4 x 1/4"	Q-54	Runway Screw RH"Z"	.02
3356-20	J-52	Armature Plate	.10
3356-24	J-82	Coil & Bracket	2.00
6-32 x 3/8"	Q-51	B.H. Screw	.02
3356-31	J-52	Stop Collar	.05
3356-28	J-52	Plunger Assem.	.30

CAR FRAME COMPONENTS

3356-88	J-17	Doors & Rod	1.50
3366-29	L-54	Doors & Rod	1.50
3662-36	N-63	Retaining Ring	.02
PT-1	H-21	Basic Truck	1.00
480-25	D-14	Truck Plate & Coupler	.55
483-2	P-41	Truck Plate & Shoe	.75

CORRAL PLATFORM COMPONENTS

3356-51		Vibrating Ramp	2.00
3356-66	J-62	Cap Nut	.05
45-73	A-61	Lockwasher	.02
3356-57	J-52	Gate	.05
3356-59	J-72	Washer	.02
202-9	A-71	Drive Screw	.05
3356-47	J-52	Corral Coil	2.00
3356-42		Corral Assem.	2.50
3356-46	J-52	Track Brkt. RH	.10
3356-32	J-62	Track Brkt. LH	.10

<u>Part No.</u>	<u>Bin</u>	<u>Description</u>	<u>List Price</u>
3356-62	J-72	Vibrator Spring	.15
352-39	G-79	Terminal Clip	.10
#4 x 3/16"	Q-54	BH "Z" Coil Scr.	.02
3356-60	J-62	Grommet	.05
3356-100	LC	Set (9) Horses	1.50
3366-100	LC	Set (9) Horses	1.50