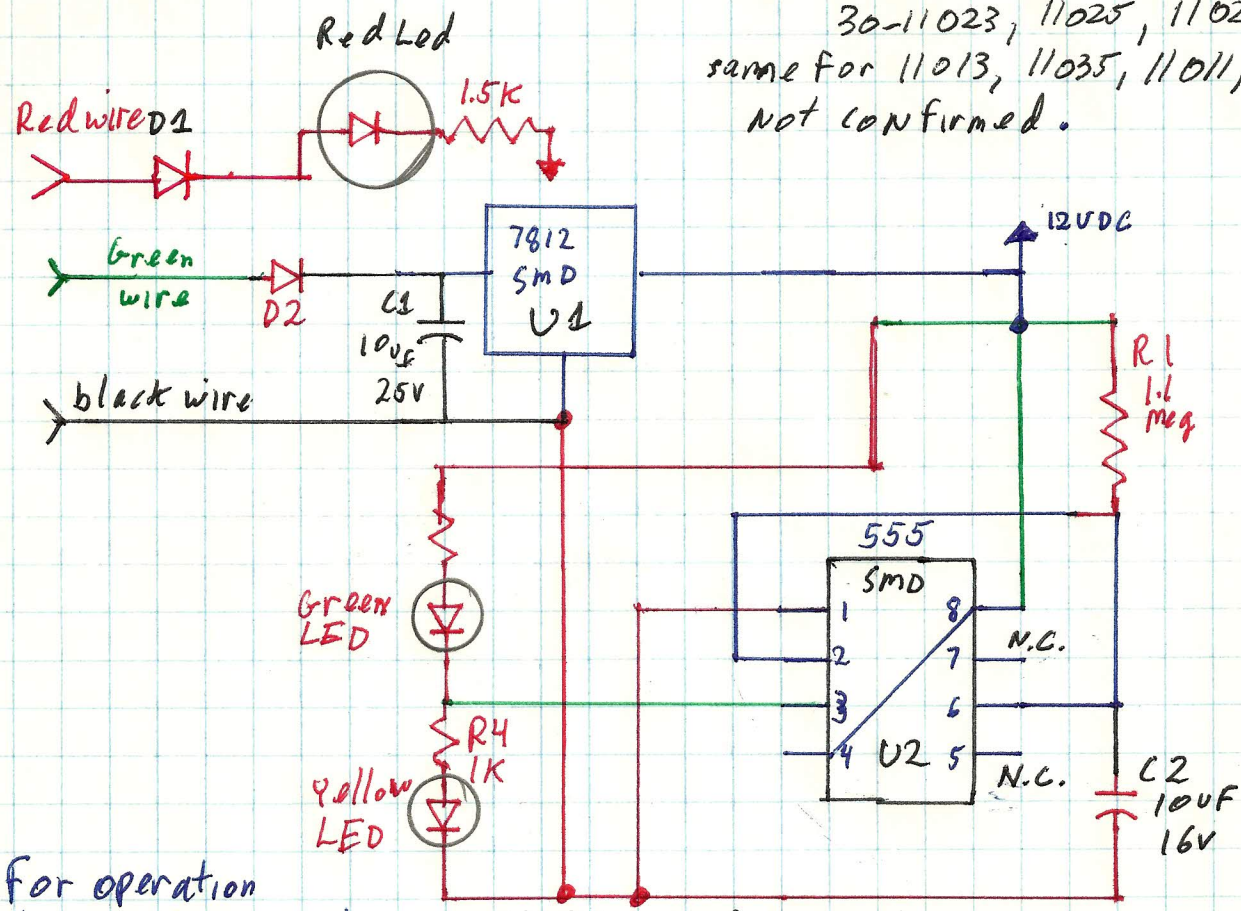


30-11036

3 Light Vertical SIGNAL

Same circuit used for
 30-11023, 11025, 11024 Probably
 same for 11013, 11035, 11011, 11009 but
 not confirmed.



For operation
 by ITAD or relay
 with insulated rail
 Red wire is Normally
 Open (N.O.)
 Green wire is Normally
 Closed (N.C.)
 Black is ground (outsiderail, etc)

D1, D2 are SMD parts
 ALL Resistors are SMD (Surface Mount Devices)
 U1, U2 are SMD parts. Circuit can be built
 with standard parts. A capacitor (1uF) can
 be added after D1 cathode to ground. ~~this~~
 this will increase Red LED brightness