

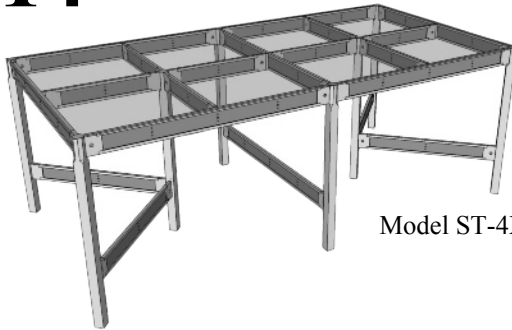
MIANNE

Customizeable Benchwork

The Fast Track to Layout Construction

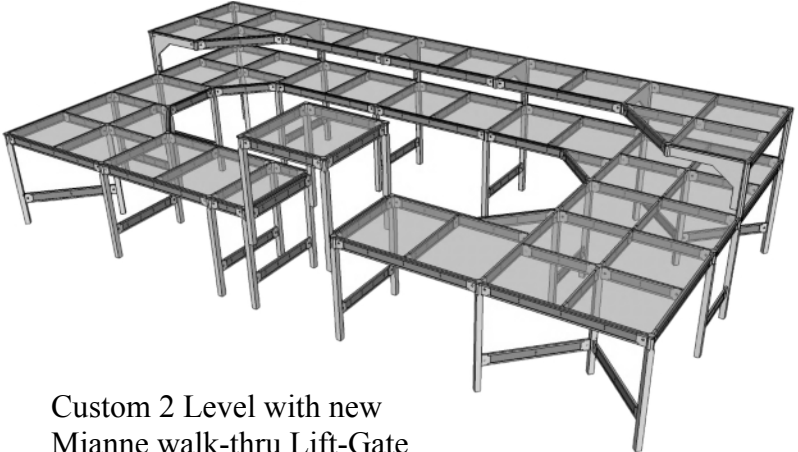


2014



Model ST-4X8

Big or small, we build them all!



Custom 2 Level with new
Mianne walk-thru Lift-Gate

***STOP IMAGINING AND START BUILDING
IT'S TIME FOR THE ROLLING STOCK
TO START ROLLING***

The best layouts start with the best benchwork

www.miannebenchwork.com

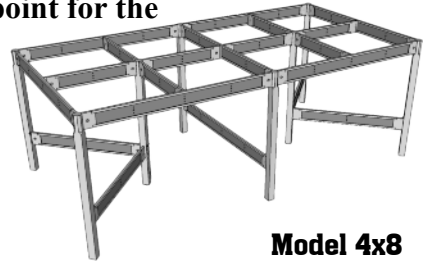
This open grid style benchwork is ideal for all sizes and gauges of layouts. It will save you both time and money.

There is no longer any reason to spend valuable hobby hours figuring, selecting and cutting materials.

You can assemble your own custom **MIANNE** bench quickly with only a few hand tools.

Rectangular Starter Kits

Traditional rectangular shaped layouts that are great for any size room. These kits are a perfect starting point for the beginning modeler or seasoned veteran that wants something to get the trains up and running. As the focus of your railroad changes these kits can be expanded or disassembled and reassembled into your dream layout.



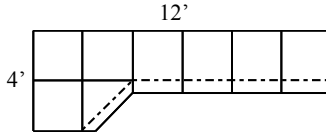
Model 4x8

Size (Model #)	Price	Size (Model #)	Price
ST-3 x 8	289.00	ST-5 x 9	519.00
ST-3 x 10	299.00	ST-5 x 10	539.00
ST-3 x 12	349.00	ST-5 x 12	595.00
ST-4 x 6	279.00	ST-5 x 16	819.00
ST-4 x 8	339.00	ST-6 x 8	475.00
ST-4 x 10	429.00	ST-6 x 9	559.00
ST-4 x 11	449.00	ST-6 x 10	579.00
ST-4 x 12	479.00	ST-6 x 12	659.00
ST-4 x 16	599.00	ST-6 x 16	849.00
ST-5 x 8	435.00	ST-8 x 8	595.00

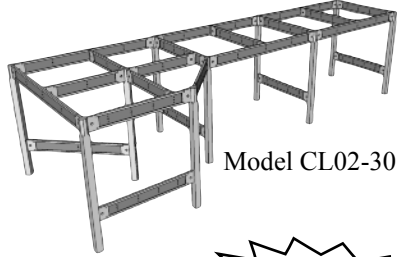
Don't see a size that works for you? Give us a call and we'll design a kit just for you. There are no extra charges for custom sized kits, we just want to make sure we sell you what you need to get your trains out of the boxes and on the tracks. Increments of 6" require no custom parts. Above prices based on standard 40" height or lower.

Mianne Classic Layouts

As low as
\$379.00

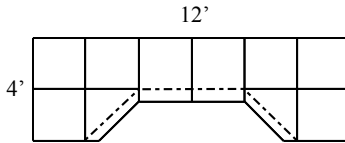


Models CL02-24*.....\$379.00
 CL02-30.....389.00
 4' x 12' x 40" high

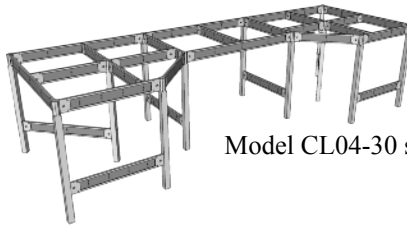


Model CL02-30 shown

As low as
\$459.00

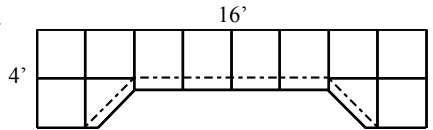


Models CL04-24*.....\$459.00
 CL04-30.....469.00
 4' x 12' x 40" high

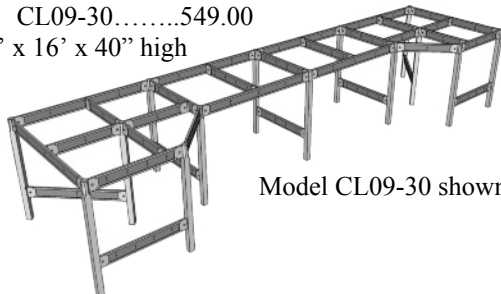


Model CL04-30 shown

As low as
\$539.00



Models CL09-24*.....\$539.00
 CL09-30.....549.00
 4' x 16' x 40" high

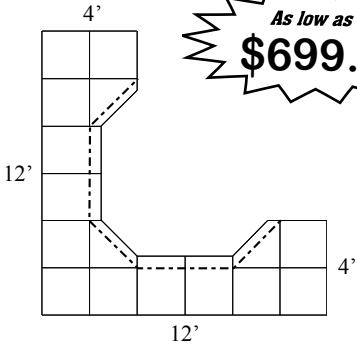


Model CL09-30 shown

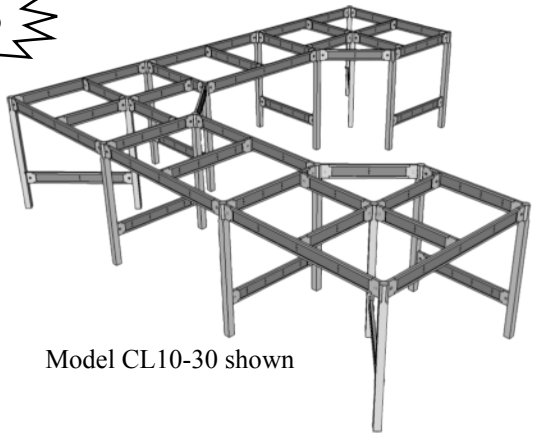
* Dotted line on plan view indicates front edge of (-24) models

“I was able to change the configuration of the layout in minutes, making better use of the space in the room (my wife thanks you). Me? I get to try out another track-plan. Great product.”
Steve R.

“With easy to follow color coded diagrams, assembly was very enjoyable. Assembly was easy and the hardware was top notch. About 12 hours later, we had the 28'x20' layout complete and level. Every stick was perfect out of the box and the fit was exact. The light weight construction was super strong.”
Al Z.



As low as
\$699.00

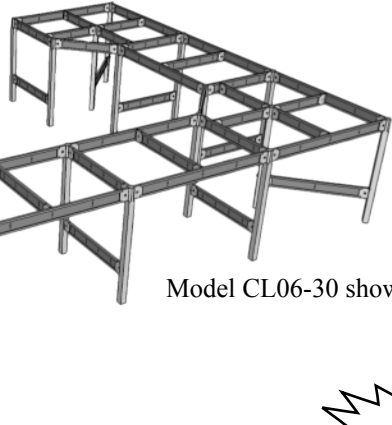
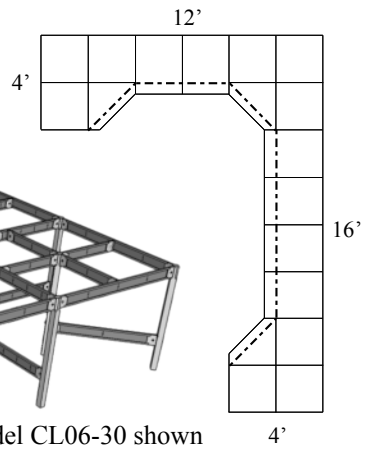


Model CL10-30 shown

Models CL10-24*.....\$699.00
 CL10-30.....719.00
 4' x 12' x 12' x 40" high

As low as
\$779.00

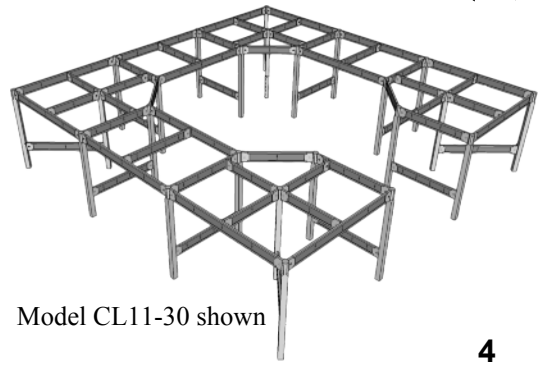
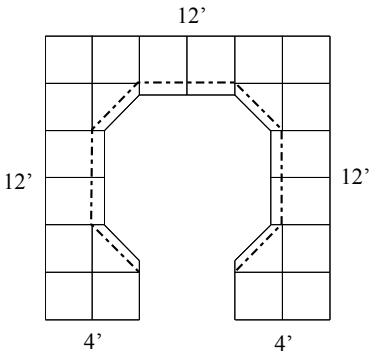
Models CL06-24*.....\$779.00
 CL06-30.....799.00
 4' x 12' x 16' x 40" high



Model CL06-30 shown

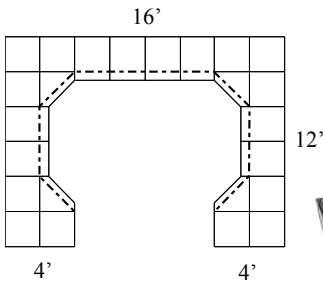
Models CL11-24*.....\$959.00
 CL11-30.....979.00
 4' x 12' x 12' x 12' x 40" high

As low as
\$959.00

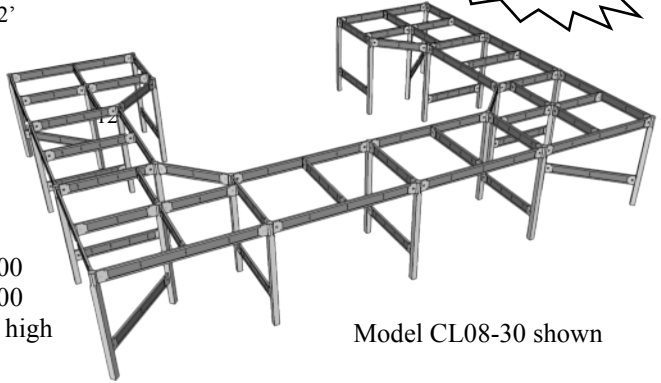


Model CL11-30 shown

* Dotted line on plan view indicates front edge of (-24) models



As low as
\$1039.00

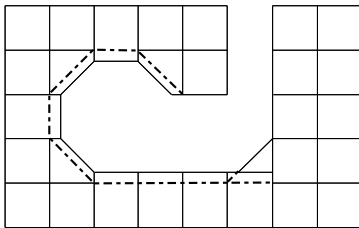


Models CL08-24*.....\$1039.00
 CL08-30.....1059.00
 4' x 12' x 16' x 12' x 40" high

Model CL08-30 shown

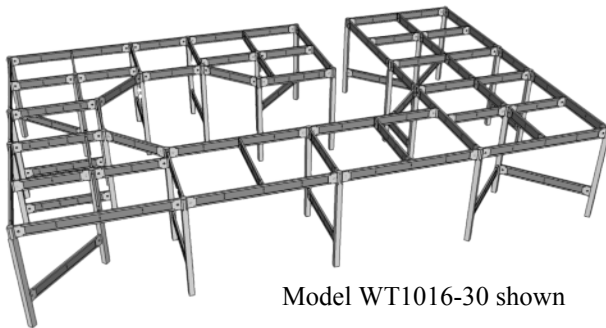
Mianne Walk-Thru Layouts

Around the room style with easy interior access



As low as
\$1229.00

Models WT1016-24*.....\$1229.00
 WT1016-30.....1249.00
 4' x 10' x 16' x 40" high



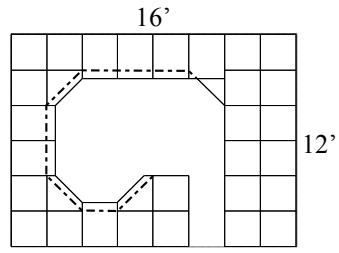
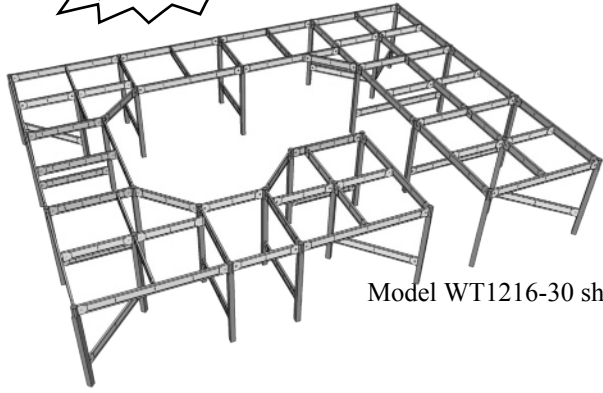
Model WT1016-30 shown

Do you have a track plan or a room size that doesn't seem to work with our kits? No problem! Almost half of our business is layouts designed for an individual application. Best of all we do not charge anything extra for this service and even supply you with a color coded assembly drawing for your layout at no additional charge! It just doesn't get any easier than **MIANNE.**

* Dotted line on plan view indicates front edge of (-24) models

As low as
\$1299.⁰⁰

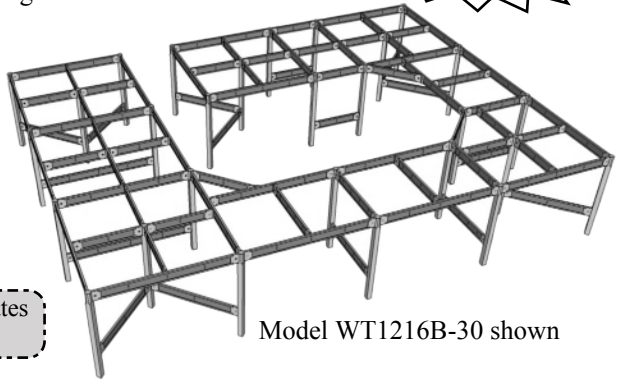
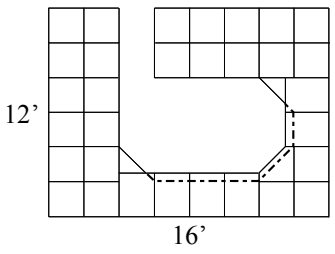
Models WT1216-24*\$1299.00
 WT1216-30.....1319.00
 4' x 12' x 16' x40" high



Model WT1216-30 shown

Models WT1216B-24*\$1299.00
 WT1216B-30.....1319.00
 4' x 12' x 16' x40" high

As low as
\$1299.⁰⁰

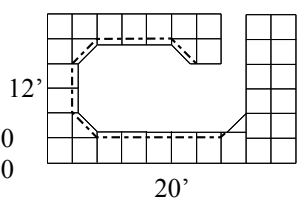
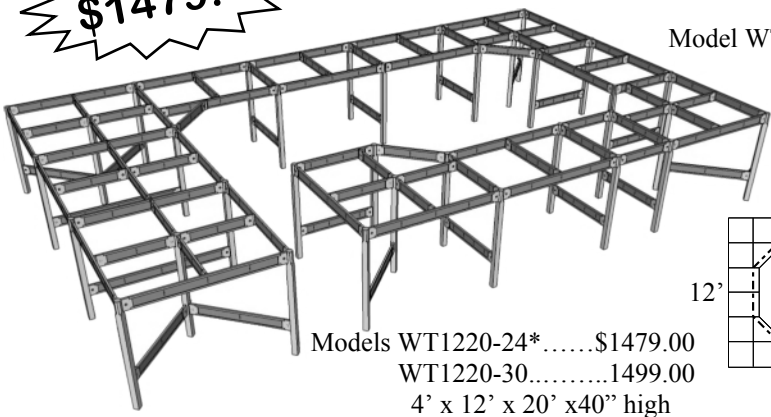


Model WT1216B-30 shown

* Dotted line on plan view indicates front edge of (-24) models

As low as
\$1479.⁰⁰

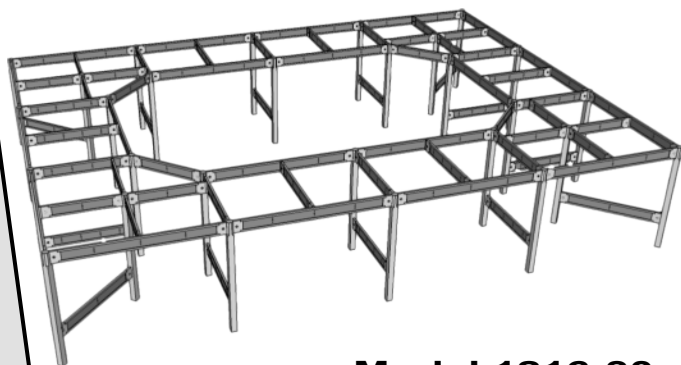
Model WT1220-30 shown



Models WT1220-24*\$1479.00
 WT1220-30.....1499.00
 4' x 12' x 20' x40" high

Around the Room Layouts

Are you looking to build a layout that features continuous running trains? These room filling kits may be just what you're looking for. Check out the chart below for a size that will work in your layout room. None of the sizes quite fit your area? Give us a



Model 1216-30

All prices shown based on standard 40" height or lower

call and we'll modify any kit so it will work in your home. Don't forget: All *MIANNE* kits and parts can be combined for unlimited layout design possibilities. Because *MIANNE* is changeable and expandable you can start at any size and add to your layout as time and budget permit.

Size (Model #)	Price	Size (Model #)	Price	Size (Model #)	Price
8 x 12-24	\$819.00	9 x 16-30	1139.00	12 x 14-24	1119.00
8 x 12-30	839.00	10 x 12-24	949.00	12 x 14-30	1149.00
8 x 14-24	949.00	10 x 12-30	969.00	12 x 14-36	1179.00
8 x 14-30	969.00	10 x 14-24	1079.00	12 x 15-24	1159.00
8 x 16-24	999.00	10 x 14-30	1099.00	12 x 15-30	1189.00
8 x 16-30	1019.00	10 x 16-24	1119.00	12 x 16-24	1159.00
8 x 20-24	1169.00	10 x 16-30	1149.00	12 x 16-30	1199.00
8 x 20-30	1199.00	10 x 20-24	1289.00	12 x 16-36	1229.00
9 x 12-24	939.00	10 x 20-30	1329.00	12 x 20-24	1339.00
9 x 12-30	959.00	10 x 24-24	1459.00	12 x 20-30	1369.00
9 x 14-24	1059.00	10 x 24-30	1499.00	12 x 20-36	1409.00
9 x 14-30	1089.00	12 x 12-24	999.00	12 x 24-24	1499.00
9 x 16-24	1119.00	12 x 12-30	1019.00	12 x 24-30	1549.00

Did you see a layout plan in a magazine or plan book? Call us and we will quote you a price on a benchwork that will work with both the track plan and the area you have available in your home. There is never any need to waste time trying to figure out what you need, we can do it for you and insure you only buy what you really need! Another reason *MIANNE* is the best benchwork system available!

Mianne Multi Deck

Bring Your Layout to a Whole New Level

Let **Mianne Multi-Deck Benchwork** add a whole new dimension to your dream layout. Now you can easily add an additional railroad without using more space in your home. Maybe a different scale or different era. How about that small logging railroad you always wanted but didn't fit in with your main layout plans. **Mianne Multi-Deck** is the perfect answer and can be added to any of our kits. Available in 3 depths: 12", 18" and 24". Cantilevered brackets come ready to install with all necessary hardware included. Existing **Mianne** layouts can be upgraded to multi-deck just by swapping out the legs in the section where the upper level is desired. Works with all **Mianne Benchwork** I-beams. Call today and we'll help you get started!

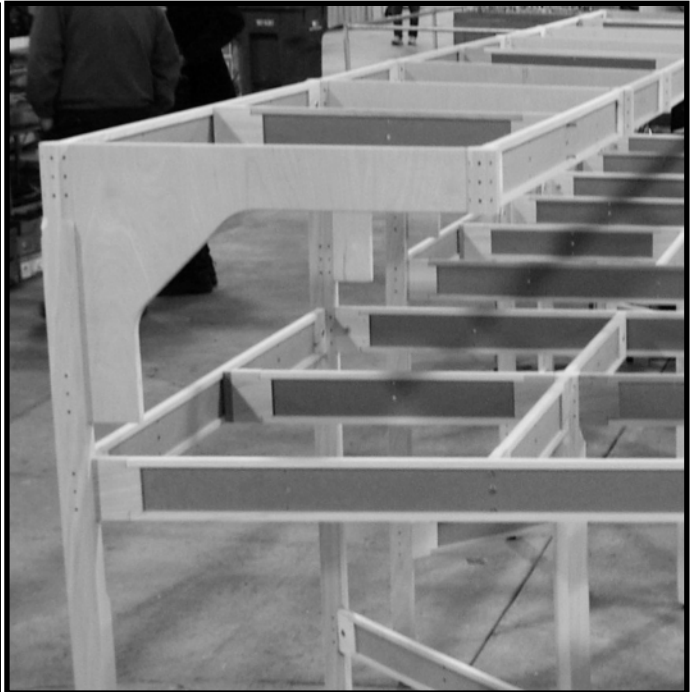
Cantilevered design means no obstructions on main level.

Creates a great place to install lighting for main layout.

Solid one piece hardwood legs and maple plywood brackets for superior strength and stability.

Great for storage, test tracks or more layout real estate.

Same great quality and easy assembly **Mianne Benchwork** is famous for.



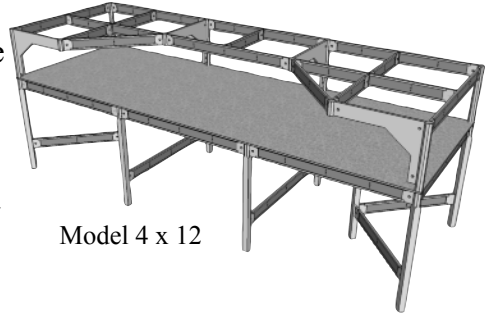
- Unique cantilevered design
- High quality hardwood plywood
- Increases layout space
- Upper level at 58"
- Can be added to any Mianne Benchwork kit
- Same quick and easy Mianne assembly
- More benchwork means more trains means more fun!



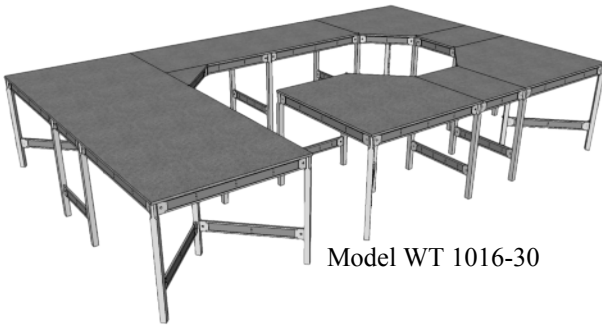
Model 4 x 12

Most modelers are limited as to how much space is available for their layout. More often than not there is far less space available than is desired. By adding a second level an amazing amount of new space can be had.

For example our starter set model 4x12 has a total layout size of 48 square feet. By adding our 24" cantilevered upper level it's increased to 84 square feet, an increase of 75%. The amount of upper level layout can be customized to suit your needs.



Model 4 x 12



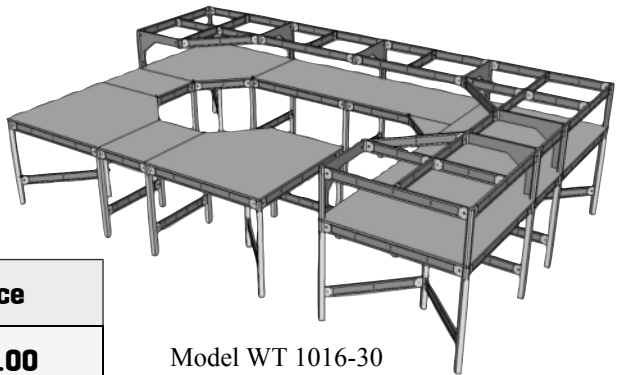
Model WT 1016-30

You may only want to add an upper level to part of your layout. No problem, with Mianne you never buy more than you need. In this example we have added a second level to our model WT1016-30 Walk-Thru kit.

Even this partial upper level adds 62 square feet, an addition of almost 2 full 4x8 layouts!

Individual Part Pricing is shown in the table below

Part	Price
58" Leg	\$20.00
12" Bracket	18.00
18" Bracket	20.00
24" Bracket	22.00
Full Connector	5.00



Model WT 1016-30

For more information or a no obligation quote please write to us at info@miannebenchwork.com or call us at 508-226-1600 Mon-Fri 8am to 4:30pm eastern time.

Layouts shown with top for visual clarity (not included with kit)

Name (as it appears on credit card)			
Billing Address			
City/ Town, State/ Province, Country, Zip/ Postal Code			
Daytime Phone			
Alternate Phone			
Shipping Address (if different from billing)			
City/ Town, State/ Province, Country, Zip/ Postal Code			
Circle One:	Mastercard	Visa	American Express Discover Check
Card Number:			Expires (mm/yy)
Email:			Security Code (CVV)
Cardholders Signature			

Mail this form to: The Foley Woodworking Company
78 Holman Street
Attleboro, MA 02703-3154
Or fax to: 508-226-1666

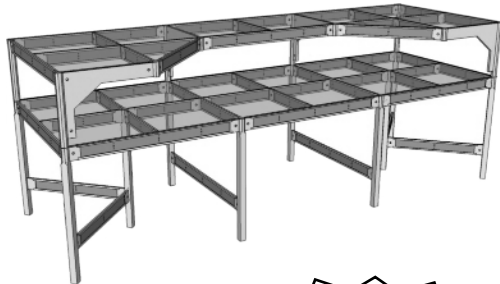
Please make checks payable to: Foley Woodworking

Mianne Multi-Deck Kits

Here are a few examples of how much more layout space you can get by adding an upper level. More layout space means more fun!

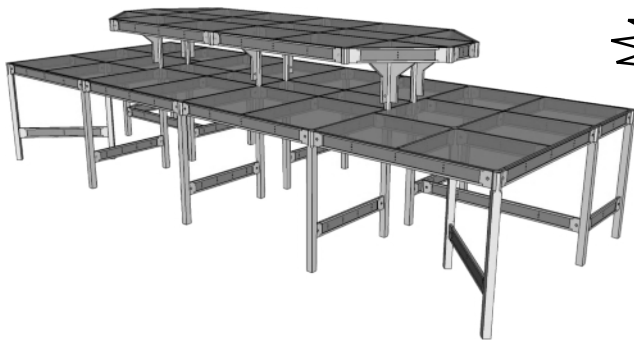
\$799.00

Model ST-4X12 with
CL04-24 upper level



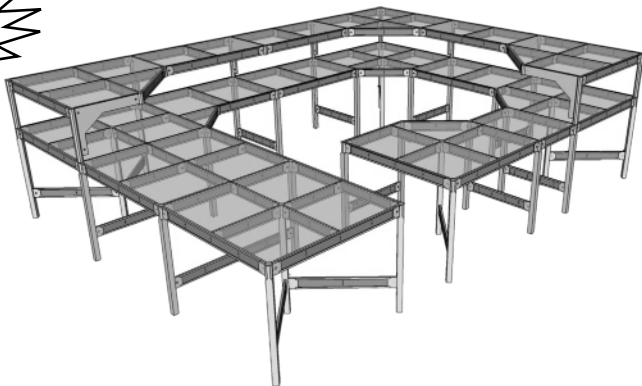
\$1399.00

Model ST-6X16 with
4x12 octagonal upper level
this is a great option for
putting two walk around
layouts in a single space!



\$1899.00

Model WT-1216 with
06-24 upper level



NEW

A Mianne Exclusive

\$125.00

Price includes top and casters

36 x 12 x 30 high

Rollaway Transformer Cart

Custom sizes available

Easily stores under layout when not in use!



TC-3612

Mianne Custom Layouts

Examples of customer layouts all using only stock MIANNE parts

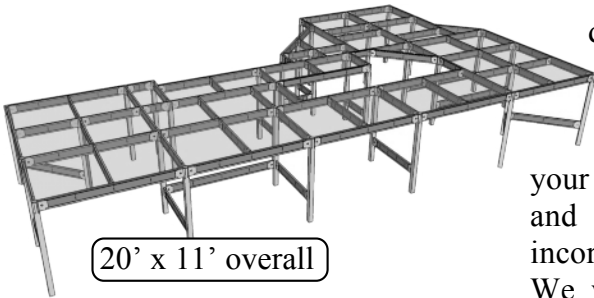
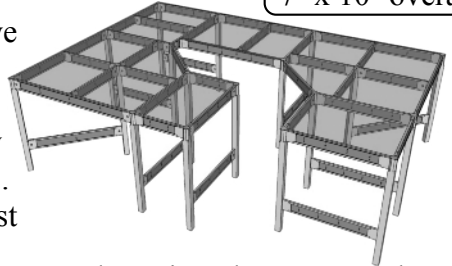
5' x 7' overall



It doesn't matter how big or small an area you have for your layout. Designing your benchwork, finding good quality material and actually getting the benchwork built is not the easiest thing to accomplish (NO, those "premium" twisted 2x4's at the home center

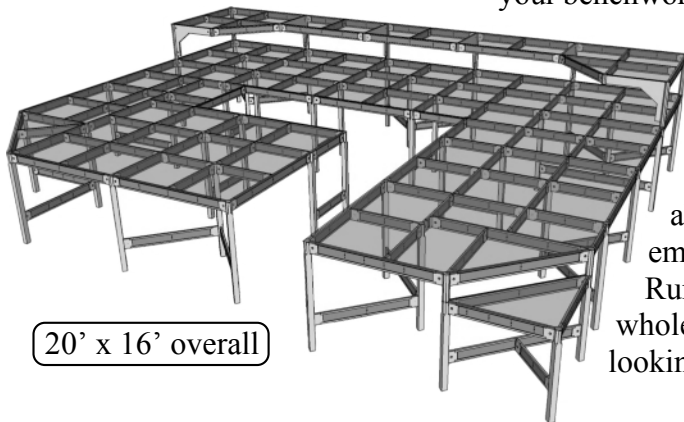
are not a good idea). At MIANNE we have designed and supplied hundreds of customers with better quality and better built benchwork than they would have built themselves. MIANNE can get you from just

7' x 10' overall



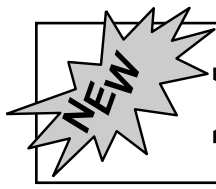
20' x 11' overall

dreaming about your layout to actually getting it built. All we need are some basic measurements of the area in your home, scale you are modeling and any features you want to incorporate into your track plan. We will provide you with a no obligation design and quote for your benchwork kit shipped right to



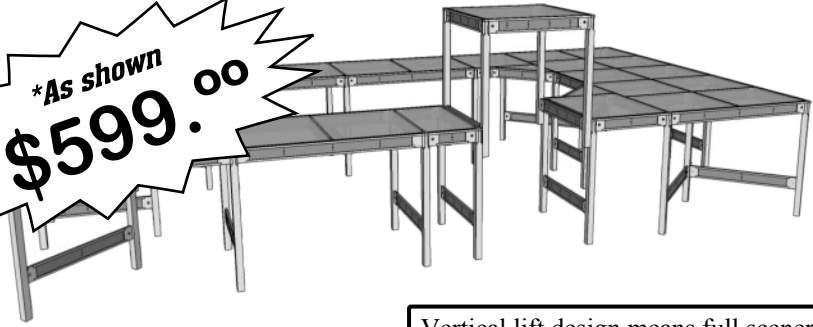
20' x 16' overall

your home. If you have been putting off building your layout, it's time to stop just thinking about it, send us an email or give us a call. Running your trains is a whole lot better than just looking at them!



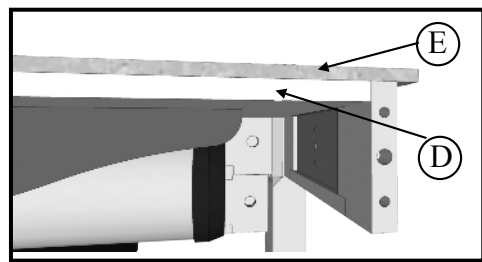
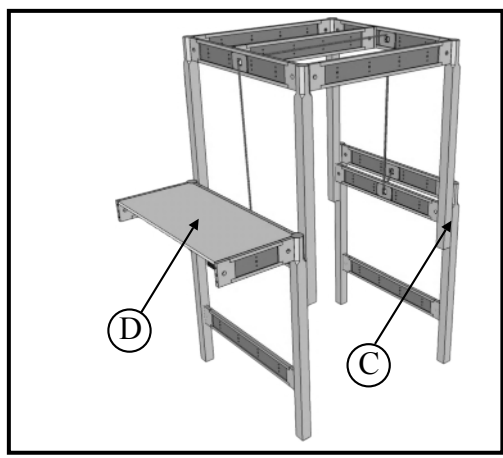
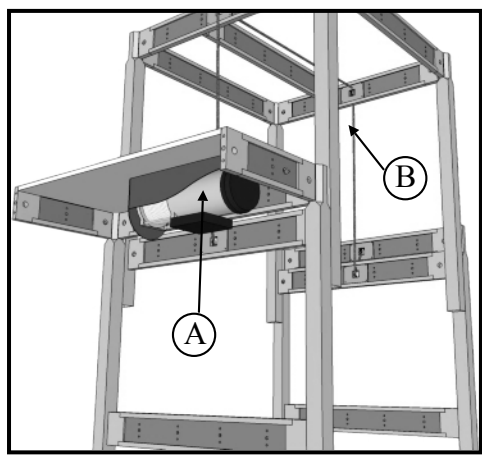
Mianne Lift-Gate

***As shown
\$599.00**



Vertical lift design means full scenery capability with no unsightly scenic gap in your layout! Easily supports over 50 pounds of track & scenery materials.

***For 48" x 30" or 24" section**



- A) Electric drive motor
- B) High strength stainless steel cable
- C) Precision ball bearing slides
- D) 3/4" Recessed plywood motor mount (not included)
- E) Layout top (not included)

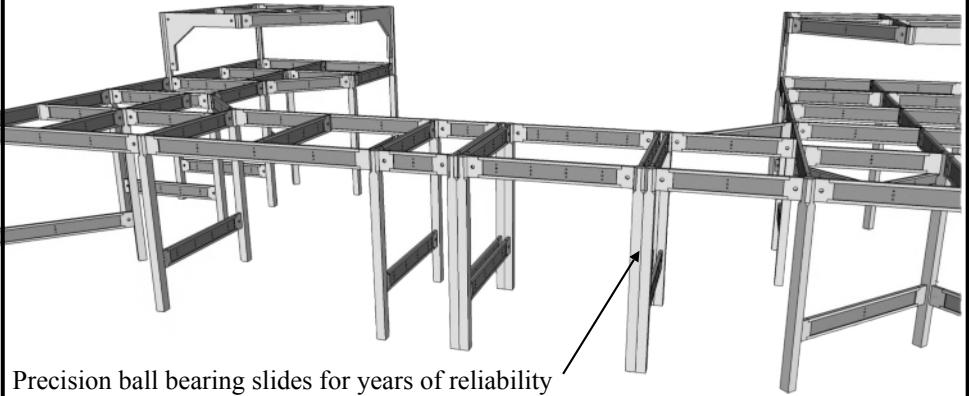
The new MIANNE Lift-Gate comes as a ready to assemble kit to replace any 4' section or opening in the benchwork without any modifications necessary. Currently available in either 24" or 30" depth. All hardware necessary for assembly is included.



Mianne Lift-Gate

Do you want to run long trains, have space for a yard and continuous running? Maybe you just want to avoid the dreaded crawl under? Then the new MIANNE Lift-Gate may be just what you need.

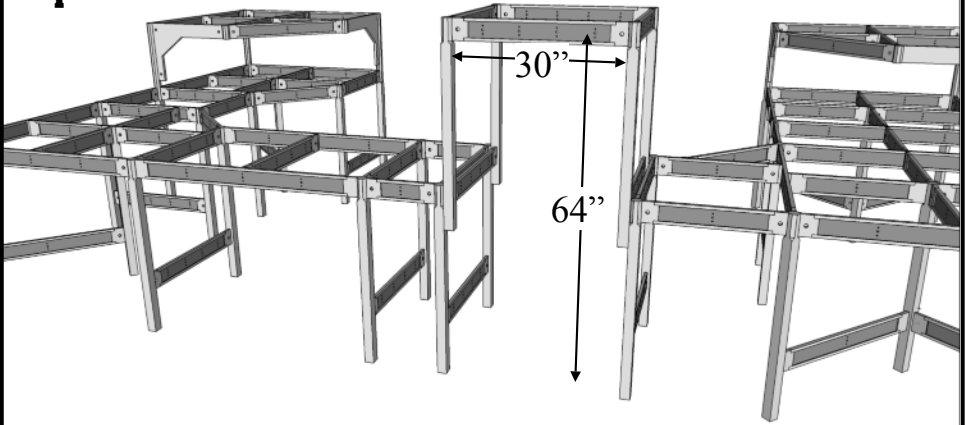
Down Position



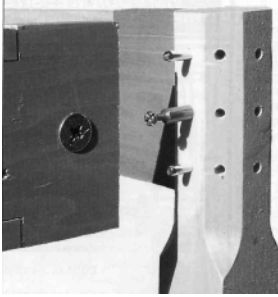
Precision ball bearing slides for years of reliability

Using our standard 40" height legs you will get 64" of clearance for getting to the interior of your layout. The MIANNE Lift-Gate can be incorporated into one of our kits, a custom design or even retro-fitted into an existing MIANNE layout.

Up Position

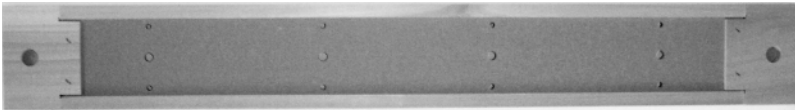


And, best of all, as always, the same easy assembly and great quality that MIANNE Benchwork is known for!

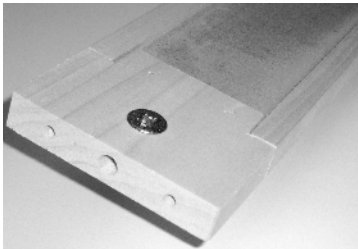


I-beams and legs lock together with a simple half turn of a screwdriver. You can assemble, change and reassemble in minutes, never having to cut anything. There are no permanent modules or sections, all pieces can interchange for different configurations at any time.

Mianne I-beams are constructed of a hardwood frame with an MDF* web for exceptional strength and dimensional stability as well as light weight that no solid wood can match. Pre-drilled holes allow for cross member attachment or for installing wiring. (30" I-beam shown)



Legs are constructed from solid hardwood and include the unique **Mianne** multi-directional top with a fully adjustable leg leveling system built in. All mounting holes are accurately pre-drilled for easy frustration free assembly.



Quick lock cam fasteners are fast, strong and keep joints square for sturdy assembly. Pre-drilled mounting holes allow quick and precise attachment of **Mianne I-beams** for unlimited layout design.



*MDF — Medium Density Fiberboard: a composite construction material made from wood fibers glued under extreme heat and pressure.

Need a lowered section for a bridge or overpass scene? It's easy with Mianne, the possibilities are simple and endless!



Frequently Asked Questions

1) Q. There doesn't seem to be a kit for the layout I want to build. What should I do?

A. Mianne Benchwork can be configured for any layout design. We offer a free, no obligation design service. You can either send us a track plan, room dimensions, or desired layout dimensions. We will then design a kit to work for you and quote you a price. The Mianne Benchwork system works in 6" increments for unlimited design possibilities. You can even combine different sizes for a truly custom layout. All kits, whether stock or custom, come with a detailed color-coded assembly plan for quick and easy assembly.

2) Q. How do I attach the layout to the benchwork?

A. We suggest attaching a plywood platform for a base using the hardware included with your kit. This method will allow you to easily remove the layout from the benchwork at a later time. Anyone who has ever tried to change a layout or had to move a layout can appreciate this easy method.

3) Q. How do I attach risers for different track elevations?

A. After attaching your plywood base, you can easily add risers to the plywood for elevating track.

4) Q. What are connector blocks and adapter blocks?

A. Connectors are used to attach I-beams to other I-beams. Connectors allow attachment in three directions. Adapters are used as fillers for crosspiece attachment. See assembly instructions for diagrams.

5) Q. Can I purchase Mianne with a height different than the standard 40"?

A. Yes, we can make the height whatever you need. Just let us know when ordering.

6) Q. How is Mianne shipped?

A. We ship via standard UPS Ground Service. The largest box we ship in is 8"×8"×48" and usually weighs less than 50 lbs. (Kits with upper levels require longer 60" boxes)

7) Q. Can I purchase one module and add to it later on?

A. Yes. Try not to think of Mianne as modular but rather as a series of legs and I-beams that connect together to form one unitized structure. For example, if you wanted a 2'×4' section you would need to purchase a 24B expansion kit and a 24LS leg set. If you wanted a 2'×8' section you would need 2 24B sections but only one 24C. This benchwork would have six legs total.

8) Q. Why not just use solid wood for frame members instead of I-beams?

A. There are a few of reasons for utilizing a built up I-beam instead of solid wood.

1) Stability - every piece of wood is different and therefore reacts to seasonal changes differently. Our I-beams have a MDF core, with a hardwood frame. This creates consistent seasonal movement in all pieces. More stability equals more reliable trackwork and running of trains. In short: More Fun!

2) Consistency - the I-beams are produced on dedicated machines and are therefore consistent in tolerance. This makes for easy and reliable assembly.

3) Weight - we have achieved great strength with low weight. This makes for easy construction and

Mianne Parts List

All Mianne parts are available separately to make sure you only buy what you actually need. If you need help in determining exactly which parts you need please call us and we will be glad to help out. Legs are available in any height and custom length I-beams are also available upon request.

Item #	Description	Price (each)
0012	12" I-beam	6.25
0018	18" I-beam	7.25
0024	24" I-beam	9.50
0030	30" I-beam	10.50
0036	36" I-beam	12.25
0042	42" I-beam	14.25
0048	48" I-beam	14.75
1245	1245 (45°) I-beam	7.25
1845	1845 (45°) I-beam	9.50
2445	2445 (45°) I-beam	12.25
3045	3045 (45°) I-beam	14.25
1005	Connector Block	2.75
1010	Full Connector	5.00
2001	Adapter Block Assy	1.85
2002	Double Adapter Assy	3.75
3001	Top Attachment Block	0.35
1040	40" Leg	14.25
1048	42 - 48" Leg	16.75
1058	58" 2 Level Leg	20.00
CAS-1	2" Adjustable Height Caster	2.75

MIANNE Benchwork is shipped to you factory direct with no middle man. We ship via UPS ground service. The largest box we use is 8"x 8" x 48" (58" legs do require larger 60" boxes) and average weight is less than 50 lbs per box. No 100+ pound boxes of lumber to carry, your back will thank you!

Please visit us on the web and send us any comments or questions you may have at www.miannebenchwork.com
Email to: info@miannebenchwork.com

Expansion Sections

Part #	Description	Price
24A	24" x 48" x 48" Corner	\$165.00
24B	24" x 48" Straight	88.00
24C	24" x 42" Straight	86.00
24D	24" x 36" Straight	82.00
24E	24" x 30" Straight	68.00
24F	24" x 24" Straight	64.00
24G	24" x 18" Straight	60.00
24H	24" x 12" Straight	58.00
24LS	24" Leg Set	46.00
30A	30" x 48" x 48" Corner	168.00
30B	30" x 48" Straight	90.00
30C	30" x 42" Straight	88.00
30D	30" x 36" Straight	84.00
30E	30" x 30" Straight	70.00
30F	30" x 24" Straight	68.00
30G	30" x 18" Straight	62.00
30H	30" x 12" Straight	60.00
30LS	30" Leg Set	48.00

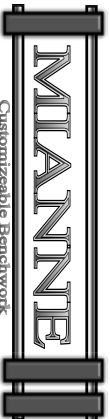
These are just some of our stock sizes, the possibilities are endless!

Don't see your size? Think in 6" increments and it's a stock size!

Any size expansion section can be provided to expand your existing benchwork. Just give us a call and we will quote you a price for whatever you need! Let us do the figuring for you so you can spend more time on the fun stuff!

* Expansion Sections are not free-standing and are intended to be added onto an existing layout.

Please note: Above expansion prices are based on standard 40" height.



Customizable Benchwork



MADE IN USA

Foley Woodworking Company

78 Holman Street

Attleboro, MA 02703

508-226-1600 fax 508-226-1666 info@miannebenchwork.com

www.miannebenchwork.com