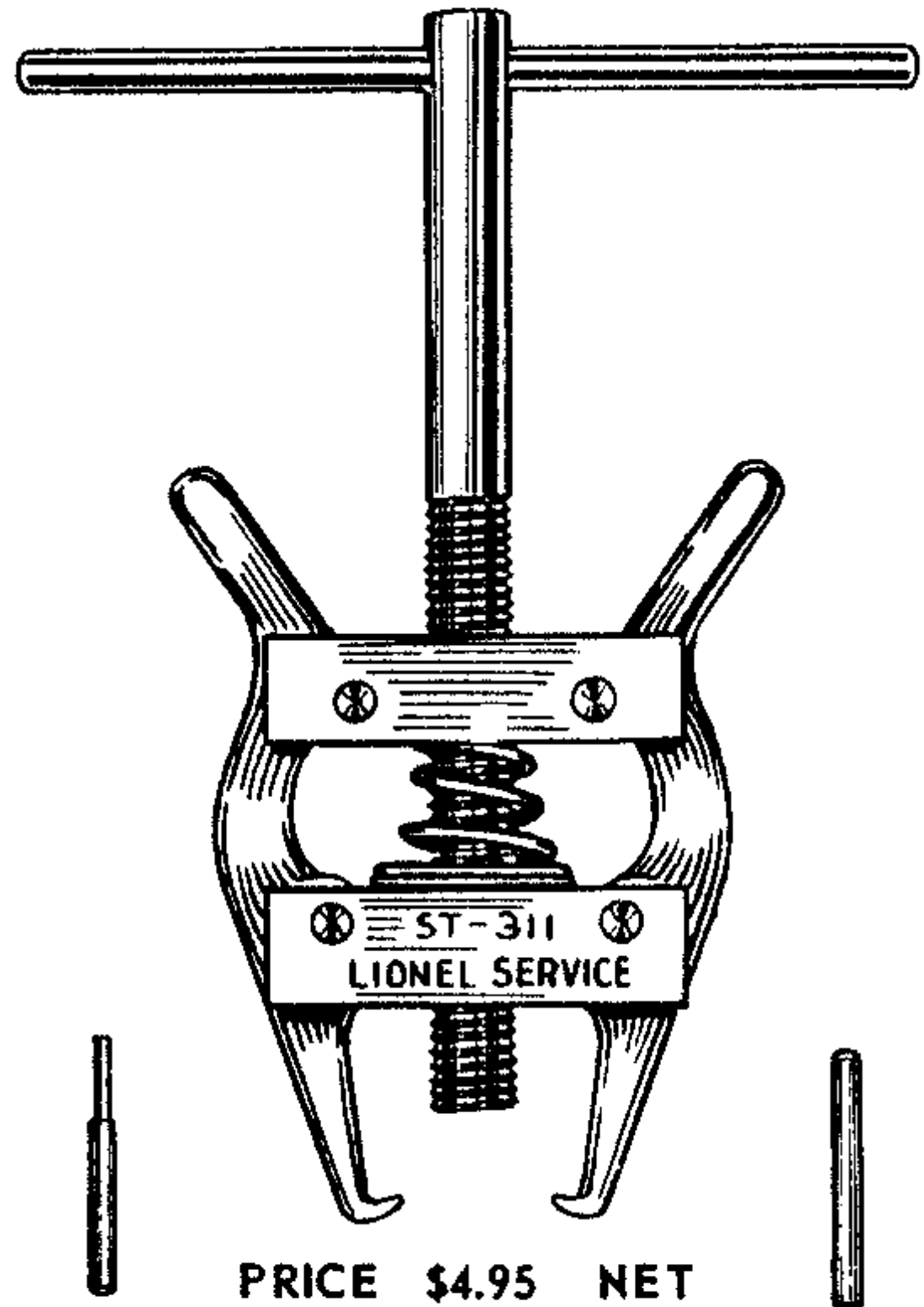


ST-311 WHEEL PULLER

- No. ST-311 Locomotive Wheel Puller is an improved precision tool redesigned for better service.
- Jaw spread can now be varied from 1-7/8" to as low as 5/8" and will accommodate the wheels of all locomotives from 773 Hudson to the 2321 Fairbanks-Morse.
- Two spring-tempered removable pilot pins of different sizes are provided so that maximum strength can be developed with heavier axles. The pilot pins are slip-fitted into the forcing screw and can be held with a little grease or Lionel lubricant.
- Jaws are precision-cast from chromium-vanadium alloy steel -- the toughest material available.
- Self-centering mechanism has been improved and forcing cam action redesigned for greater accuracy and strength.



PRICE \$4.95 NET

REPLACEMENT PARTS

ST311-3	Puller Jaw	\$1.00	ST311-9	Small Forcing Pin	.20
ST311-7	Upper Bracket	.60	ST311-10	Large Forcing Pin	.20
ST311-8	Lower Bracket	.50	ST311-12	Spring	.25

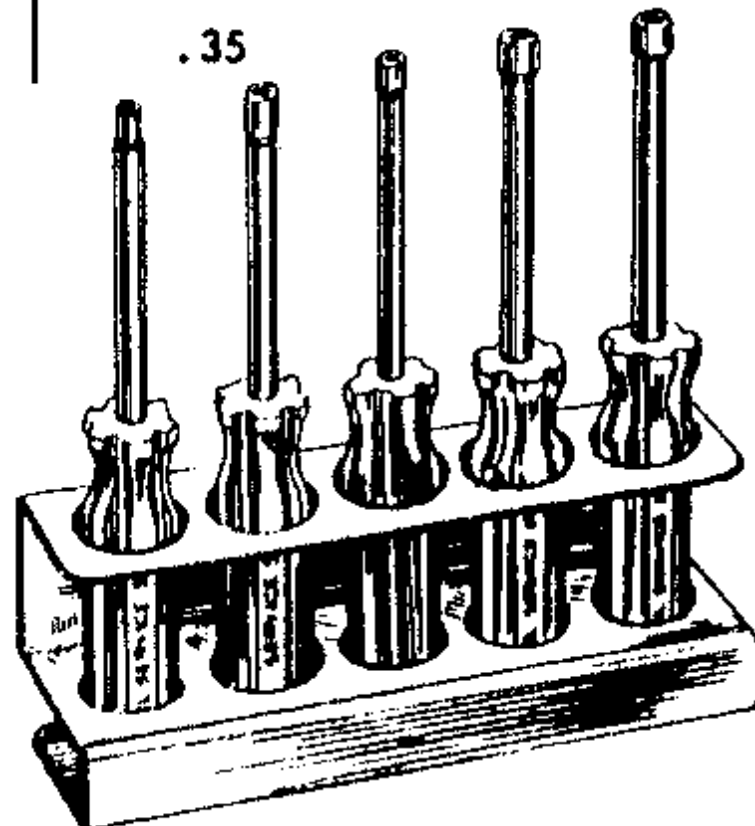
All prices are net

ST-300 NUT DRIVER SET

Five chrome vanadium hexagonal socket wrenches or "nut drivers" in sizes measuring 1/8", 5/32", 3/16", 7/32" and 1/4" across the flats and chosen to accommodate the entire range of hexagonal head screws and nuts used in Lionel equipment. Price \$3.50 for the set, \$.65 individually.

Number	Size	Price
ST-294	1/8"	.65
ST-295	5/32"	.65
ST-296	7/32"	.65
ST-297	7/32"	.65
ST-298	1/4"	.65
ST-299	Stand	.35

PRICE \$3.50 NET



ST-325 SCREW DRIVER SET

Five chrome vanadium screwdrivers set in matching plastic handles and equipped with a metal stand designed for wall or bench mounting. \$3.50 for the set. Prices of individual screwdrivers are:

Number	Description	Price
ST-319	Phillips No. 1	.65
ST-320	Phillips No. 2	.75
ST-321	Electricians Round Shank	.55
ST-322	Screwholding Square Shank	.75
ST-323	General Utility Square Shank	.65
ST-324	Stand for Above	.35

PRICE \$3.50 NET

