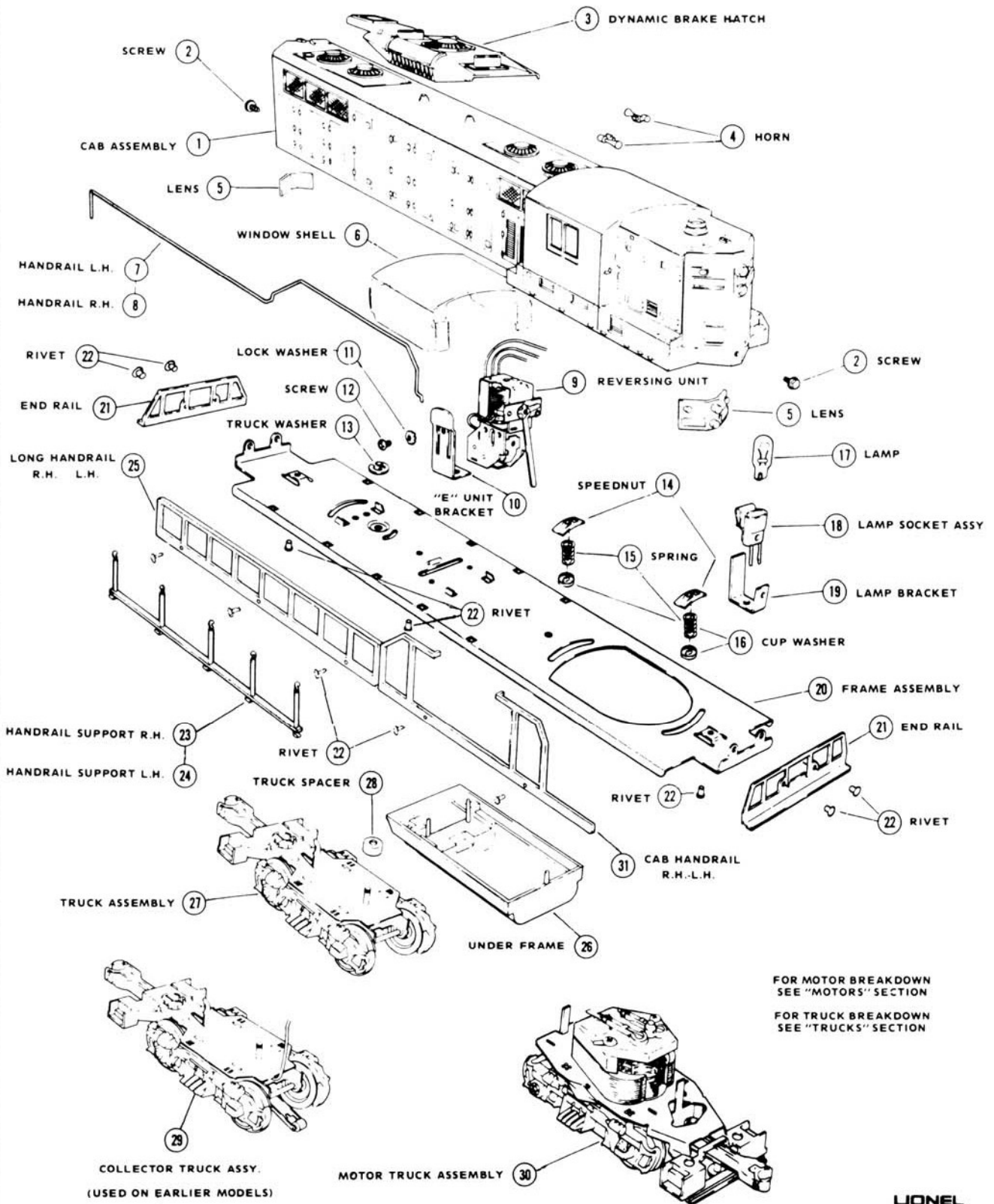


# GP-7, GP-9 DIESEL POWER UNIT (early unit)



LIONEL

GP-7, GP-9 DIESEL POWER UNITS  
(EARLY PRODUCTION)

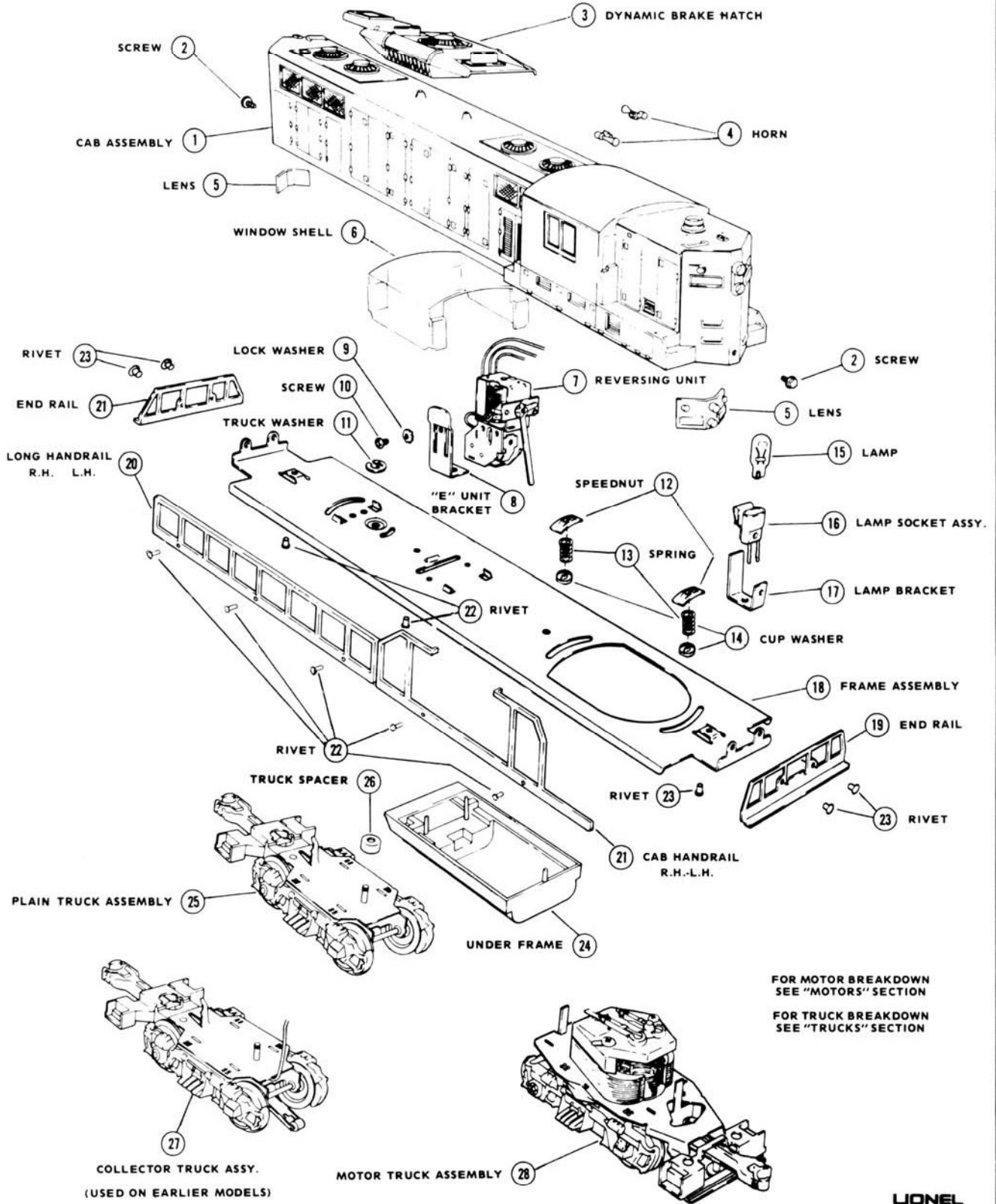
SECTION Loco, D & E  
DATE 2-78

Reference  
Drawings -

REF. NO.	PART NUMBER	QTY. PER UNIT	DESCRIPTION
1	8XXX-3	1	Body and Brake Hatch Assm. (GP-9)
1	8XXX-3	1	Body without Brake Hatch (GP-7)
2	8010-165	2	Screw (Cab Mtg.)
3	8XXX-25	1	Dynamic Brake (Not Sold Separately)
4	50-100	2	Ornamental Horn
5	2328-10	2	Lens
6	8030-56	1	Window Shell
7	8030-20	1	Handrail R. H.
8	8030-21	1	Handrail L. H.
9	100-4	1	3-Position Reversing Unit
10	622-52	1	Rev. Unit Bracket
11	8142-63	1	Lock Washer (Rev. Unit Mtg.)
12	8142-62	1	Screw (Rev. Unit Mtg.)
13	TS-70	1	Retaining Washer (Plain Truck)
14	600-133	2	Speed Nut (Motor Mtg.)
15	1055-56	2	Spring (Motor Mtg.)
16	601-131	2	Cup Washer (Motor Mtg.)
17	161-300	1	Lamp - Note: Some early units had 2 lights.
18	8030-14	1	Lamp Socket W/Lead - Note: Some early units had 2 lights.
19	2328-178	2	Lamp and Cab Bracket
20	8030-11	1	Frame
21	2328-25	2	End Frame Rail
22	530-40	7	Rivet
23	8030-25	1	Handrail Support R. H.
24	8030-30	1	Handrail Support L. H.
25	2411-4	10	Handrail Support (Metal) Used on Early 8030 and 8031 only.
26	8030-80	1	Under Frame
27	8030-15	1	Plain Truck
28	8030-23	1	Truck Spacer (Cup Washer)
29	8030-15	1	Collector Truck (Used on some 8030-8031-8250)
30	8030-100	1	Motor Truck
31	8456-20	1	Cab Handrail R. H.
31	8456-21	1	Cab Handrail L. H.
	8030-6	1	Decal (8030) not shown
	8250-6	1	Decal (8250) not shown

Rev. 6/92

# GP-7, GP-9 DIESEL POWER UNIT (current unit)



LIONEL

GP-7, GP-9 DIESEL POWER UNITS  
(LATER PRODUCTION)

SECTION Loco, D & E

DATE 2-78

Reference  
Drawings

REF. NO.	PART NUMBER	QUANTITY PER UNIT	DESCRIPTION
1	8XXX-3	1	Body & Brake Hatch Assm (GP-9)
1	8XXX-3	1	Body W/O Brake Hatch (GP-7)
2	8010-165	2	Screw (Body Mtg.)
3	8XXX-25	1	Dynamic Brake Hatch (Not Sold Separately)
4	50-100	2	Ornamental Horn
5	2328-10	2	Marker Light & Lens
6	8750-56	1	Window Shell
7	100-4	1	Reverse Unit- 3 Pos.
8	622-52	1	Reverse Unit Bracket
9	8142-63	1	Lock Washer - ("E" Unit Mtg.)
10	8142-62	1	Screw (Rev. Unit Mtg.)
11	671M-22	1	Retaining Ring (Plain Truck)
12	600-133	2	Speednut (Motor Trk. Mtg.)
13	8655-56	2	Spring (Motor Trk. Mtg.)
14	601-131	2	Cup Washer (Motor Trk. Mtg.)
15	161-300	2	Lamp - Some Units Have Only 1 Light
16	8030-14	2	Lamp Socket W/Lead - Some Units Have Only 1 Light
17	2328-178	2	Lamp & Body Bracket
18	8759-211	1	Frame Assm. (Yellow) - Include End Rails
18	8463-11	1	Frame Assm. (Black)
18	8654-211	1	Frame Assm. (White) - Include End Rails
19	2328-25	2	End Frame Rail (Black)
20	2328-28	2	Long Side Rail R&L (Black)
21	8456-20	1	Short Side Rail R.H. (Black)
	8456-21	1	Short Side Rail L.H. (Black) (Not Shown)
22	1615-62	10	Rivet (Side Rails)
23	530-40	7	Rivet (Lamp & Body Bracket - Rev. Bracket & End Rail)
24	8030-80	1	Under Frame
25	8030-15	1	Plain Truck (Black Sides)
25	8665-15	1	Plain Truck (Silver Sides)
26	8030-23	1	Truck Mounting Spacer (Plain Trk.)
27	8130-15	1	Collector Truck - (Black Sides) (Earlier Models)
28	8030-100	1	Motor Truck Complete (Black Sides)
28	8665-100	1	Motor Truck Complete (Silver Sides)