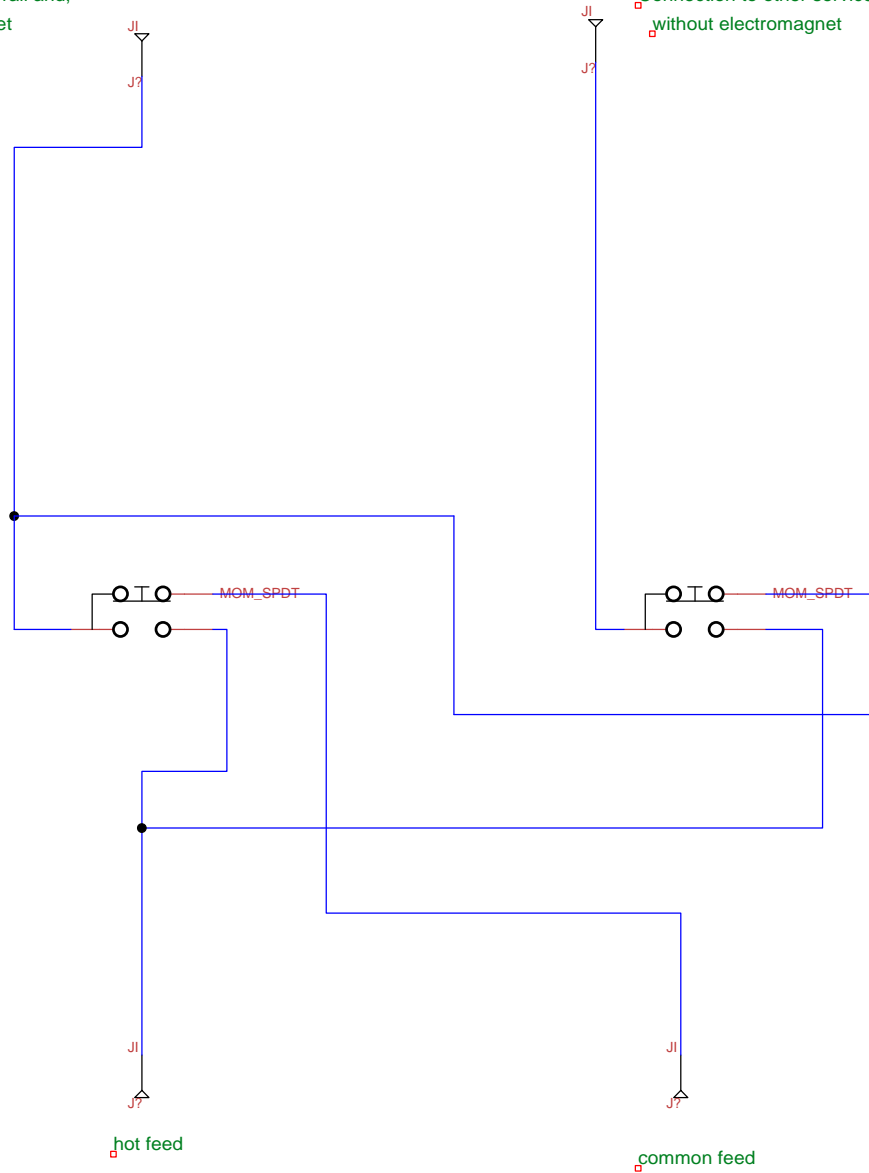


Connection to one service rail and,
if UCS, to electromagnet

Connection to other service rail
without electromagnet



hot feed

common feed

Title Uncouple/Unload controller		
Author RJR		
File i:\RR model\Designs\Uncl-Unload controller.dsn	Document	
Revision 1.0	Date 11/28/2014	Sheets 1 of 1