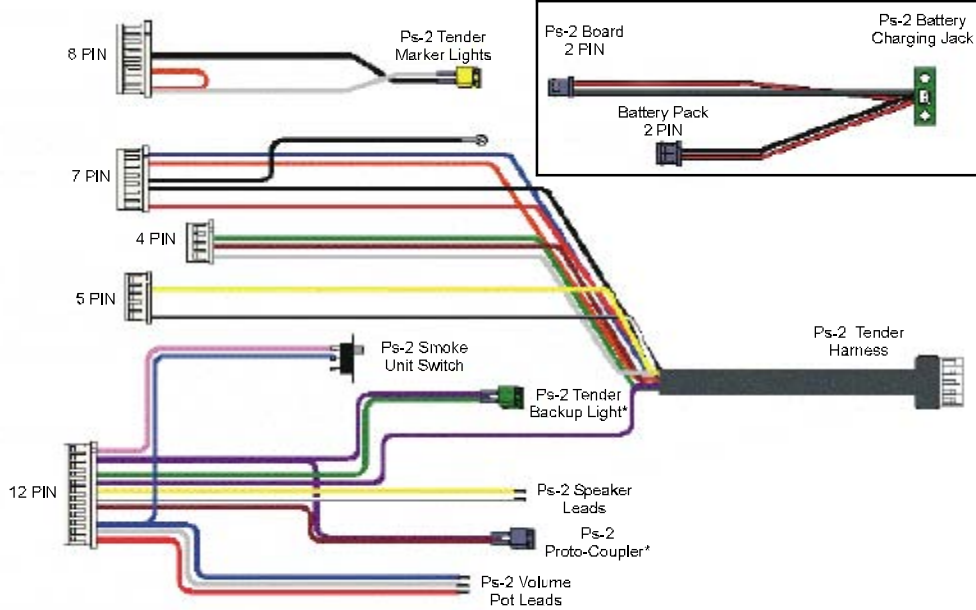


Installing The Tender Harness, Speaker, Switches & Lights



*Note: If tender has harness to connect an auxiliary tender, connect the back-up light and coupler connectors to the harness. Use switch to select light/coupler operation in tender or auxiliary tender.

